

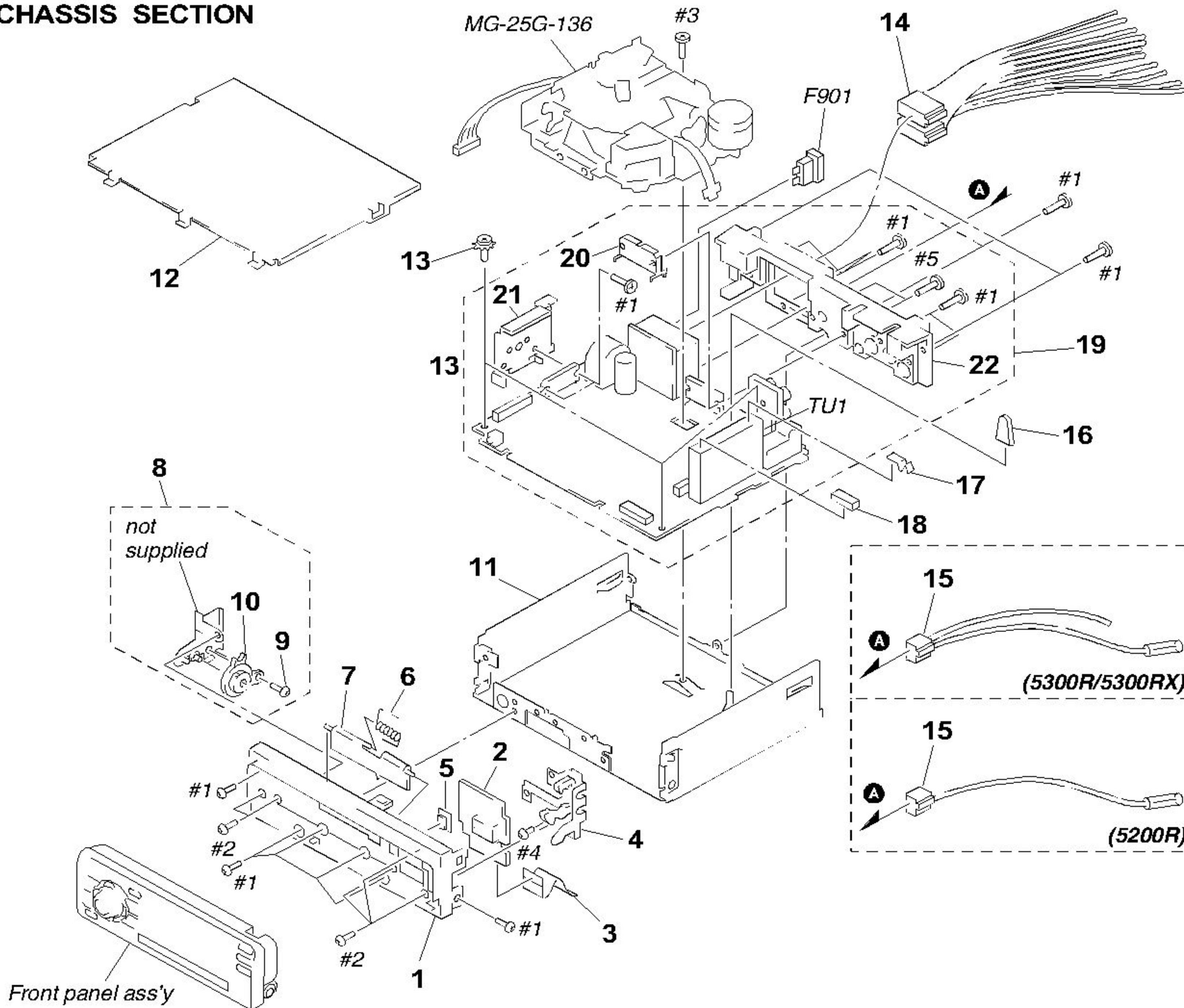
SECTION 7 EXPLODED VIEWS

NOTE:

- -XX and -X mean standardized parts, so they may have some difference from the original one.
- Color Indication of Appearance Parts
Example:
KNOB, BALANCE (WHITE) . . . (RED)
 ↑ ↑
 Parts Color Cabinet's Color

- Items marked "*" are not stocked since they are seldom required for routine service. Some delay should be anticipated when ordering these items.
- The mechanical parts with no reference number in the exploded views are not supplied.
- Hardware (# mark) list and accessories and packing materials are given in the last of the electrical parts list.

(1) CHASSIS SECTION



Ref. No.	Part No.	Description	Remark	Ref. No.	Part No.	Description	Remark
1	X-3378-397-1	PANEL ASSY, SUB		15	1-777-989-21	CORD (WITH CONNECTOR) (AMP REM)	
* 2	1-676-603-12	SUB BOARD				(C5200R: AEP, UK)	
3	1-792-195-11	CABLE, FLEXIBLE FLAT		15	1-777-989-41	CORD (WITH CONNECTOR) (AMP REM/ATT)	
4	X-3377-621-2	LOCK ASSY				(C5300R/C5300RX)	
5	3-040-990-01	BUTTON (EJECT) (▲)		16	3-012-859-01	CAP (25), RUBBER	
6	3-935-003-01	SPRING, TORSION		* 17	3-045-878-01	PLATE (TU), GROUND	
7	3-027-437-12	DOOR, CASSETTE		* 18	3-045-877-01	CUSHION (TU)	
8	X-3376-699-2	GEAR ASSY		* 19	A-3326-147-A	MAIN BOARD, COMPLETE (C5300R)	
9	3-713-786-51	SCREW +P 2X3		* 19	A-3326-161-A	MAIN BOARD, COMPLETE (C5300RX)	
10	3-030-909-02	DAMPER, OIL		* 19	A-3326-168-A	MAIN BOARD, COMPLETE (C5200R)	
* 11	3-040-994-01	CHASSIS		* 20	3-040-998-01	BRACKET (IC)	
* 12	3-040-995-01	COVER		* 21	3-041-262-01	HEAT SINK (REG/XR)	
13	3-915-923-01	SCREW, GROUND POINT		* 22	3-041-014-11	HEAT SINK (IS02P)	
14	1-782-381-11	CORD (WITH CONNECTOR) (ISO P&S)	(POWER)	F901	1-532-877-11	FUSE (BLADE TYPE) (AUTO FUSE) (10A)	
				TU1	A-3220-738-A	TUNER UNIT (TUX-020)	