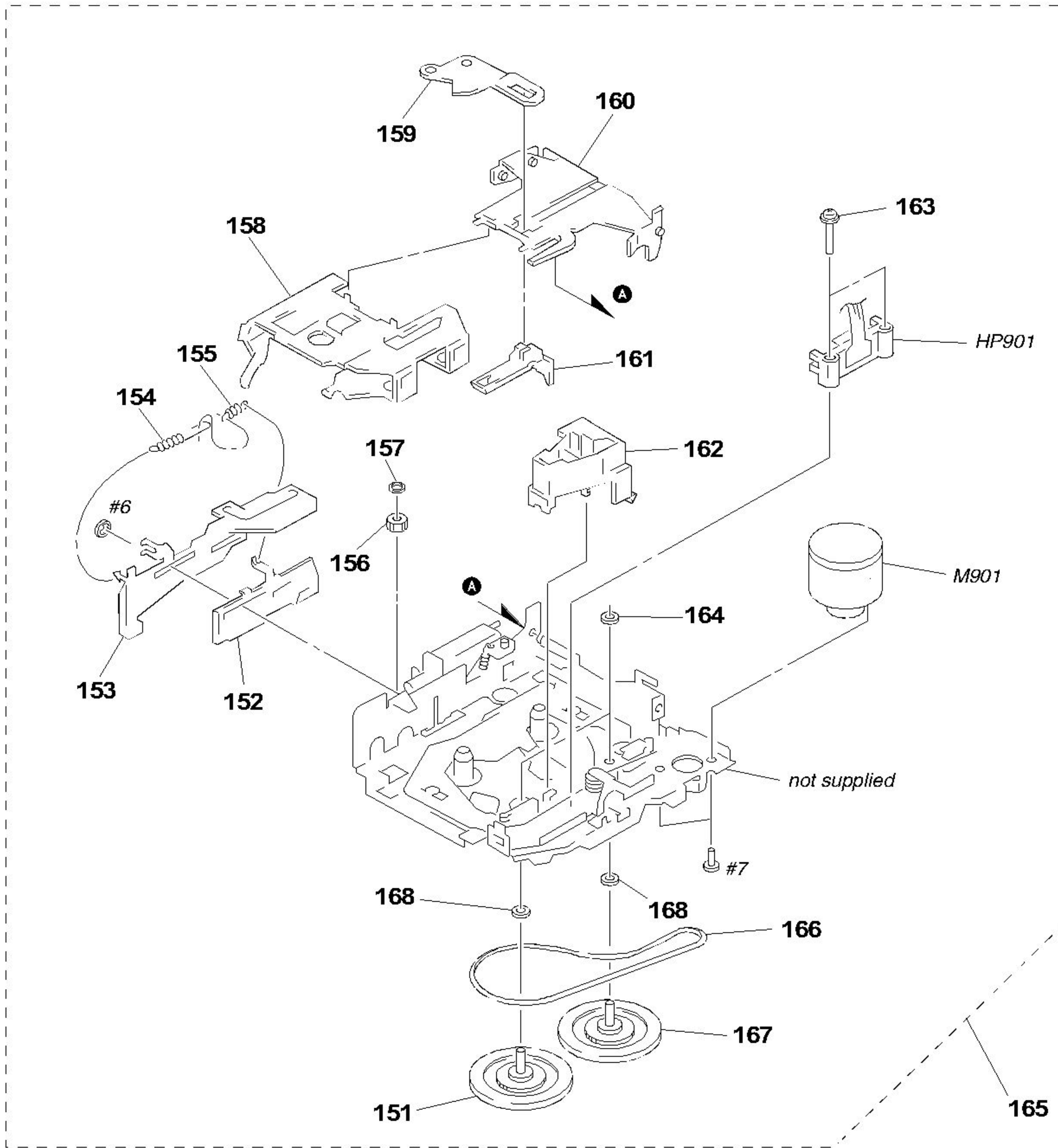


**(3) MECHANISM DECK SECTION
(MG-25G-136)**



Ref. No.	Part No.	Description	Remark	Ref. No.	Part No.	Description	Remark
151	A-3291-667-A	CLUTCH (FR) ASSY		161	3-933-346-01	CATCHER	
* 152	3-019-130-01	LEVER (LDG-A)		162	3-933-344-01	GUIDE (C)	
* 153	3-019-131-01	LEVER (LDG-B)		163	3-014-798-01	SCREW (HEAD), SPECIAL	
154	3-020-539-01	SPRING (LD-1), TENSION		164	3-364-151-01	WASHER	
155	3-020-540-01	SPRING (LD-2), TENSION		165	A-3220-610-A	MECHANISM DECK ASSY	
156	3-020-542-01	GEAR (LOADING FT)		166	3-017-302-01	BELT (25)	
157	3-341-753-11	WASHER, POLYETHYLENE		167	3-936-853-01	FLYWHEEL (F)	
158	3-020-533-01	HOUSING		168	3-701-437-21	WASHER	
* 159	3-020-532-01	ARM (SUCTION)		HP901	1-500-196-21	HEAD, MAGNETIC (PLAYBACK)	
160	3-020-534-01	HANGER		M901	A-3291-665-A	MOTOR ASSY, MAIN (CAPSTAN/REEL)	