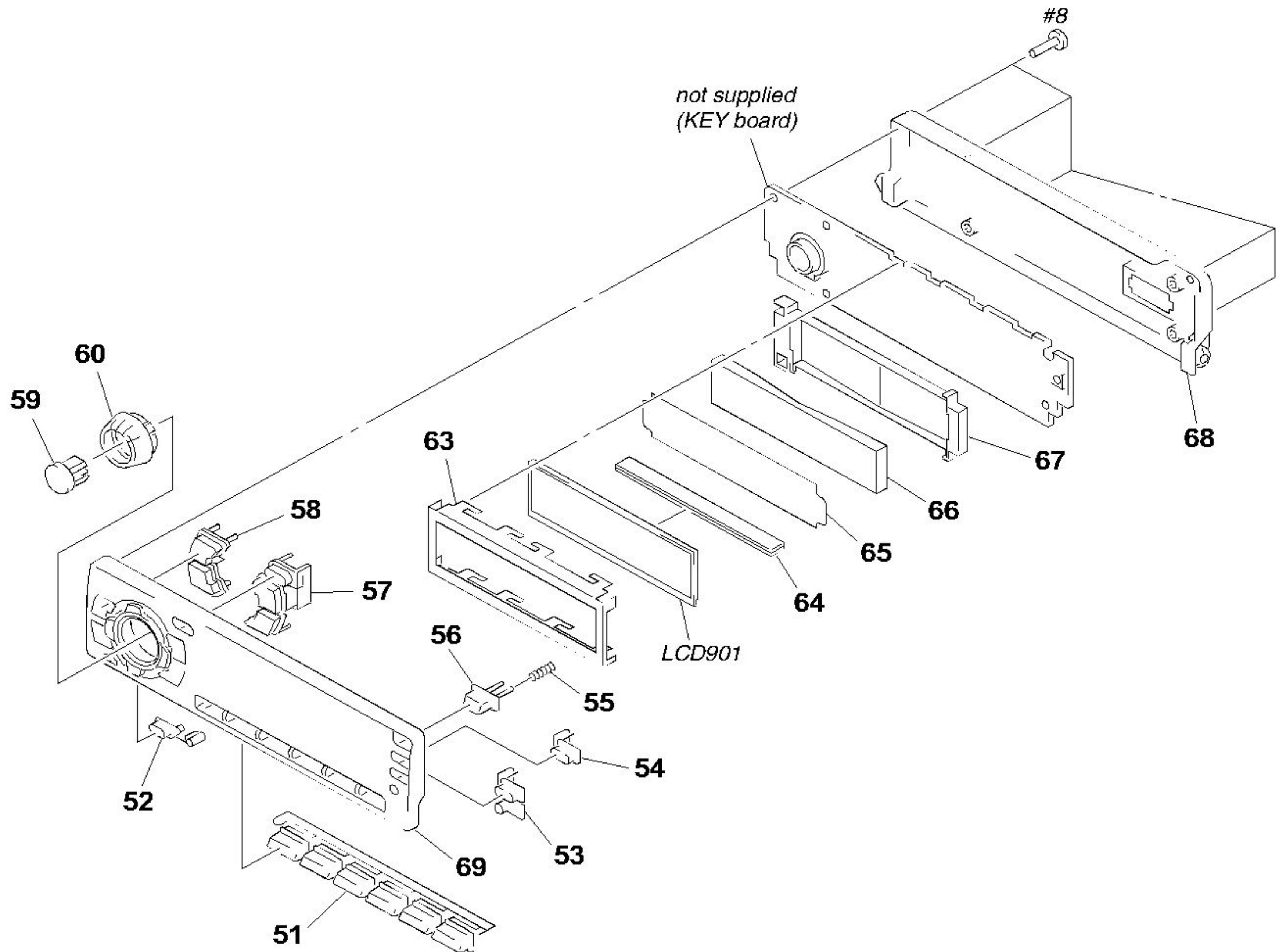


(2) FRONT PANEL SECTION



Ref. No.	Part No.	Description	Remark	Ref. No.	Part No.	Description	Remark
51	3-040-988-01	BUTTON (1-6) (1. 2. 3. 4. 5. 6)		64	1-694-660-11	CONDUCTIVE BOARD, CONNECTION	
52	3-040-987-01	BUTTON (OFF)		* 65	3-041-371-01	SHEET (REFLECTOR)	
53	3-041-006-01	BUTTON (AF/TA)		* 66	3-040-993-01	PLATE (LCD), LIGHT GUIDE	
54	3-041-005-11	BUTTON (D) (D-BASS)		* 67	3-040-992-01	HOLDER (LCD)	
55	3-037-267-01	SPRING (OPEN)		68	X-3378-398-1	PANEL ASSY, FRONT BACK	
56	3-040-989-01	BUTTON (OPEN)		69	X-3378-584-1	PANEL SUB ASSY (C5300R)	
57	3-040-985-01	BUTTON (DIR/ENTER) (DSPL. MODE ◀▶ . ENTER)		69	X-3378-585-1	PANEL SUB ASSY (C5200R)	
58	3-040-986-01	BUTTON (MENU/SOUND)		69	X-3378-572-1	PANEL SUB ASSY (C5300RX)	
59	3-040-980-01	BUTTON (SOURCE)		LCD901	1-803-906-11	DISPLAY PANEL, LIQUID CRYSTAL (C5200R/C5300R)	
60	3-040-981-01	KNOB (VOL)		LCD901	1-803-906-31	DISPLAY PANEL, LIQUID CRYSTAL (C5300RX)	
* 63	3-040-997-01	PLATE (LCD), GROUND					