

Whirlpool



typ modelu:

WMD 942K EU

WMD942KEU

Kod handlowy:

F076598

859990765980

869990765980

KitchenAid

Whirlpool

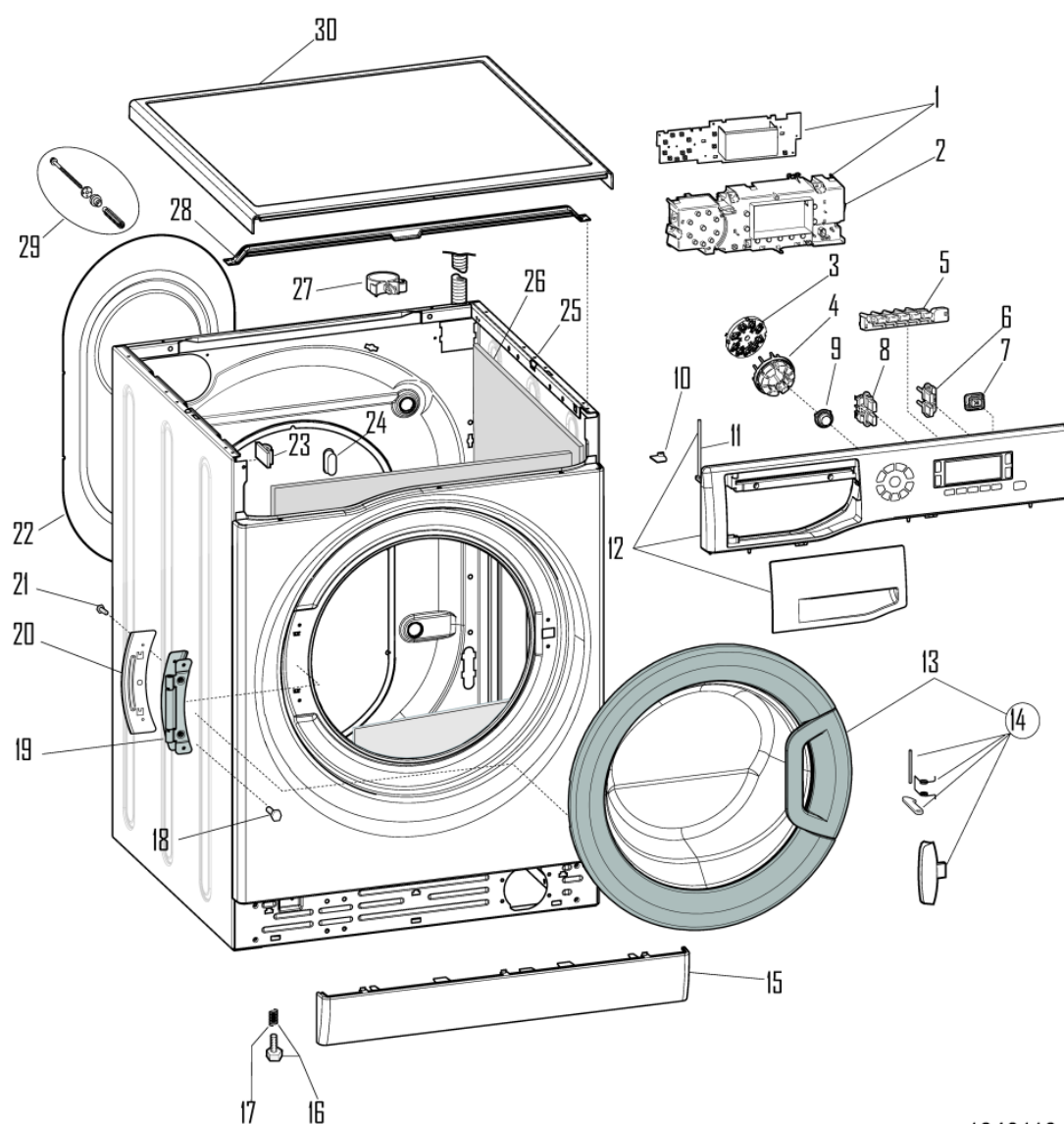
Hotpoint

Bauknecht

i INDESIT

1340110

rysunki



1340110

1340110

Lista części

Ref.	kod	Od S/N	Do S/N	Zamiennik	opis	Notatka	kod
001	C00285905 (482000088269)			1 x C00292611 (482000023321)	zespół moduł wyświetl. disp futura		30765980100
001	C00292611 (482000023321)				zespół moduł wyświetl. lcd wm/wd fw 02.0		30765989101
001	C00292611 (482000023321)				zespół moduł wyświetl. lcd wm/wd fw 02.0		30765989000
001	C00292611 (482000023321)				zespół moduł wyświetl. lcd wm/wd fw 02.0		30765989001
001	C00285905 (482000088269)			1 x C00292611 (482000023321)	zespół moduł wyświetl. disp futura		30765980200
001	C00285905 (482000088269)			1 x C00292611 (482000023321)	zespół moduł wyświetl. disp futura		30765980000
001	C00292611 (482000023321)				zespół moduł wyświetl. lcd wm/wd fw 02.0		30765989095
001	C00292611 (482000023321)				zespół moduł wyświetl. lcd wm/wd fw 02.0		30765989096
001	C00292611 (482000023321)				zespół moduł wyświetl. lcd wm/wd fw 02.0		30765980065
001	C00521984 (488000521984)				zespół moduł wyświetl. lcd vp new stg fu		769990765981
002	C00285907 (482000088271)				wspornik modułu lcd futura		
003	C00285896 (488000285896)				buttons support futura		
004	C00285903				przełącznik alu futura		
005	C00285899 (482000088266)				przyciski program. alu (5) futura lcd		
006	C00285895 (482000088264)				przycisk child lock/delay alum. futura		
007	C00286368				przycisk start/pause futura graphite		
008	C00285897 (488000285897)				przycisk alu (spin/temper.) futura		

009	C00285902 (482000088267)		przycisk on/off alluminium on/off futura	
010	C00285779 (488000285779)		cap for pivot pin drawer front	
011	C00091882 (482000072347)		pivot pin - drawer front 106.5x5 mm ab	
012	C00295460 (482000089194)	12 41 / 21010...	panel ster. wmd942keu	769990765981
012	C00295460 (482000089194)	12 41 / 21010...	panel ster. wmd942keu	30765980065
012	C00295460 (482000089194)	12 41 / 21010...	panel ster. wmd942keu	30765989096
012	C00295460 (482000089194)	12 41 / 21010...	panel ster. wmd942keu	30765989095
012	C00295460 (482000089194)	12 41 / 21010...	panel ster. wmd942keu	30765989001
012	C00288777	12 41 / 21009...	panel ster. wmd942keu	30765980000
012	C00295460 (482000089194)	12 41 / 21010...	panel ster. wmd942keu	30765989000
012	C00295460 (482000089194)	12 41 / 21010...	panel ster. wmd942keu	30765989101
012	C00288777	12 41 / 21009...	panel ster. wmd942keu	30765980200
012	C00288777	12 41 / 21009...	panel ster. wmd942keu	30765980100
013	C00288783 (482000031831)		drzwiczki kompl. hotpoint black futur	
014	C00287267 (482000088424)		zestaw uchwyty do drzwicz. black futura	
015	C00287262 (488000287262)		cokół black futura	
016	C00296866 (482000023379)	1 x C00533677 (488000533677)	nóżka regulowana m8 h = 2,3 cm	
017	C00083828 (482000027600)		foot spring (11x8.5mm)	

1340110

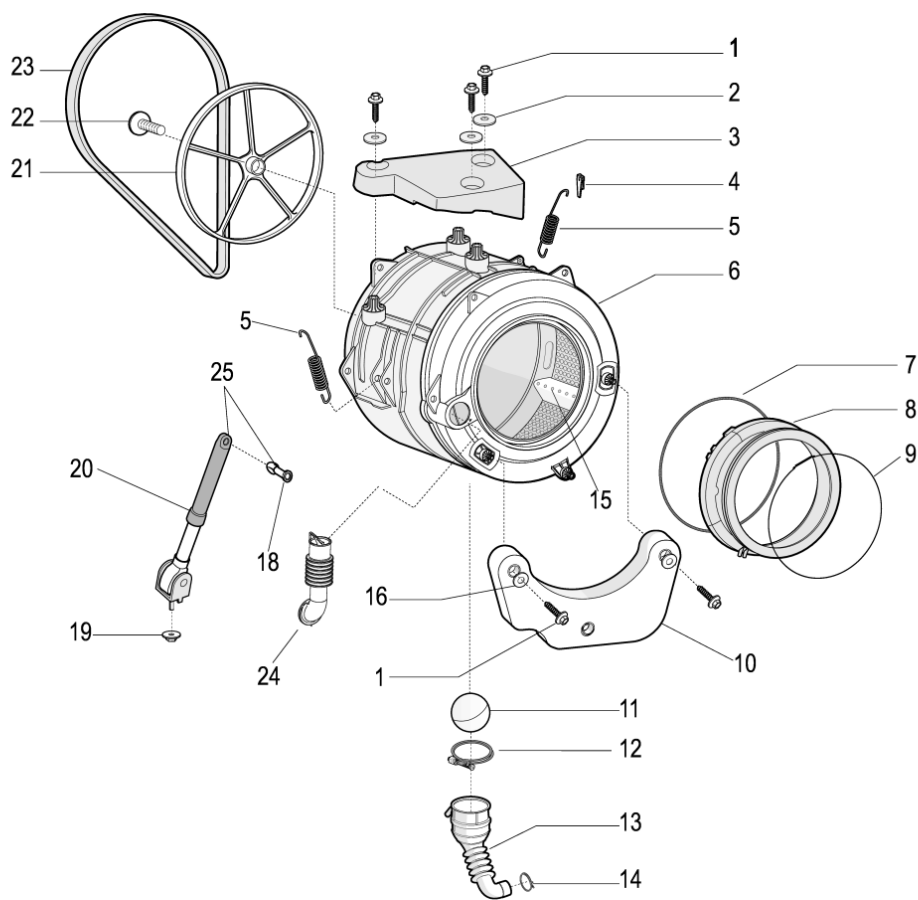
Lista części

Ref.	kod	Od S/N	Do S/N	Zamiennik	opis	Notatka	kod
018	C00290793 (482000088787)				śruba trłbt m4x8 t esag		
019	C00285560 (482000031676)				hinge door bowl futura		
020	C00285559 (482000088235)				płyta zawias futura		
021	C00065185 (482000022669)				śruba m4,5x8 timer oraz drzwiczki/zawias		
022	C00274948 (488000274948)				płyta tylna black z fazką black radom.		
023	C00141387 (482000022035)				wąż zacisku kablowego		
023	C00046667 (482000074293)				ogranicznik kabla 'ab636tx'		
024	C00112735 (488000112735)				cap serial port		30765980200
024	C00112735 (488000112735)				cap serial port		30765980000
024	C00112735 (488000112735)				cap serial port		30765980100
024	C00112735 (488000112735)				cap serial port		30765989096
024	C00112735 (488000112735)				cap serial port		30765980065
024	C00510051 (488000510051)				zatyeczka pom. hardware windy		769990765981
024	C00112735 (488000112735)				cap serial port		30765989095
024	C00065185 (482000022669)				śruba m4,5x8 timer oraz drzwiczki/zawias		
024	C00112735 (488000112735)				cap serial port		30765989000
024	C00112735 (488000112735)				cap serial port		30765989101

024	C00112735 (488000112735)		cap serial port	30765989001
025	C00287461		obudowa maxi futura czarna	
026	C00285603		warstwa wygłuszająca 490x105 mm	
026	C00285604		zestaw wygłusz. new futura	
026	C00285600 (488000285600)		warstwa wygłuszająca 500x200 mm	
027	C00064755 (482000027172)		drain hose collar	
027	C00064550 (482000027167)		drain hose holder	
028	C00285562 (482000069756)	1 x C00295573 (482000089203)	top crosspiece futura	
029	C00145769 (482000030044)		opakowanie zestawu wixl-wixe	
030	C00287460 (482000070588)	1 x C00308962 (482000089788)	worktop - maxi futura black	
099	C00277220 (482000087531)		bracket kit cabinet + leaflet	
099	C00065871 (482000075423)	1 x C00510046 (488000510046)	nakładka na otwór opakowanie'lvb2000'	

1340210

rysunki



1340210

1340210

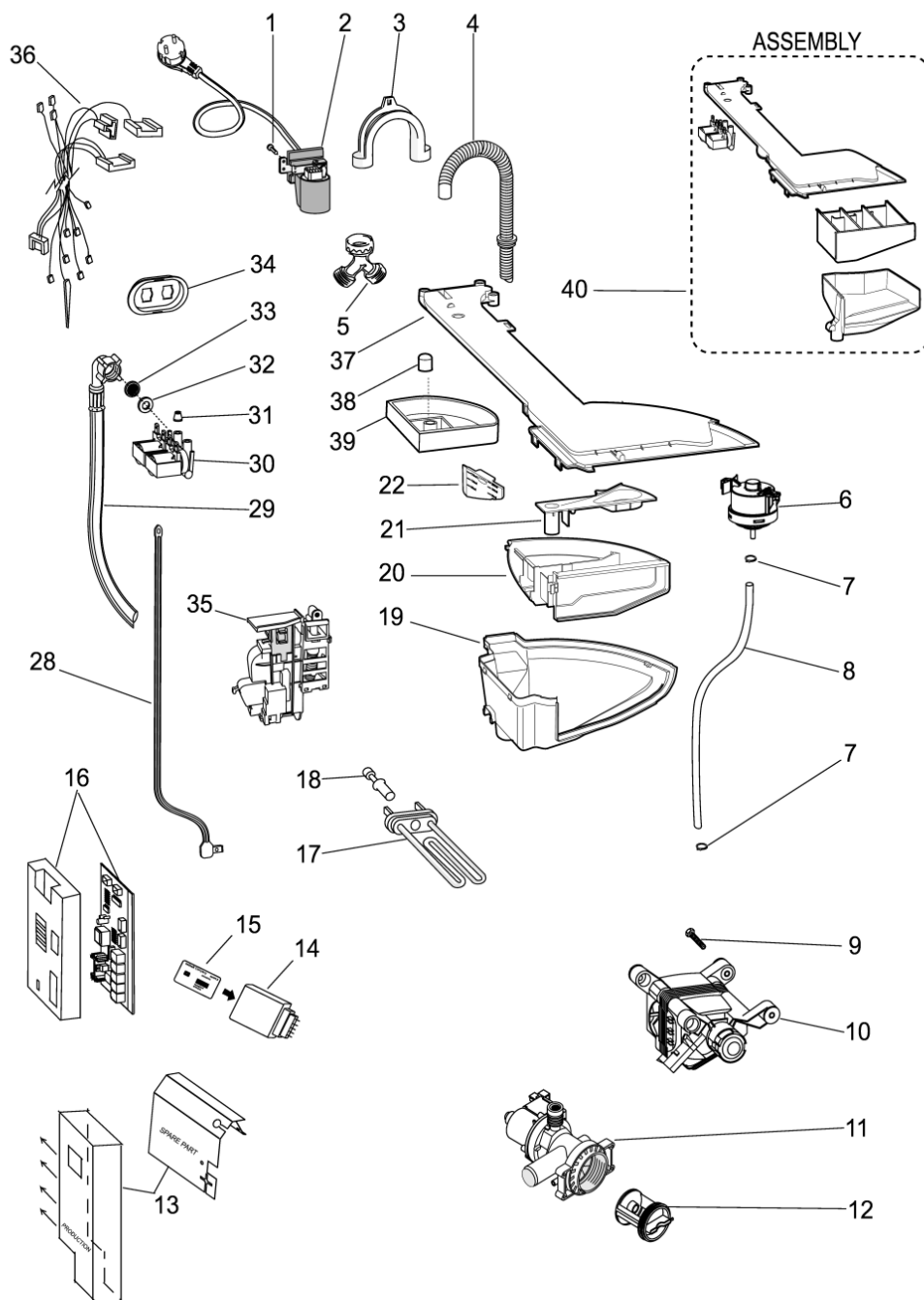
Lista części

Ref.	kod	Od S/N	Do S/N	Zamiennik	opis	Notatka	kod
001	C00194612 (482000030190)				screw pl28 11.3x50 testflmg kit	n4011c00	
001	C00194611 (482000030189)				screw pl28 9.5x50 tmtfr t40 első	n4011c00	
003	C00119110 (482000022884)				przeciwwaga górna vpl evo2 12.5 kg		
004	C00141682 (482000029587)				wspornik sprężyna zbiornika aqualtis		
005	C00275400 (482000031271)				sprężyna zbiornika zest.		
006	C00285584 (482000031681)				zespół zbiornika 62lt all plast 1400-160		
007	C00119209 (482000029102)			1 x 481010915290 (C00508687)	pierścień napinający tylny sprężyny evoii		
008	C00283995 (482000023218)				uszczelnienie drzwiczek indesit ecoprime		
009	C00119210 (482000029103)				pierścień przedni		
010	C00285595 (482000031684)			1 x 481010899540 (C00508661)	przeciwwaga przednia vpl 14kg futura		
011	C00092172 (482000027908)		15 09 / 50301...		ball oko evo ii		
012	C00094908 (482000022783)				zacisk klucza do rur		
013	C00257901 (482000023048)		15 09 / 50301...		mieszek odpowietrz.		
013	C00552942 (488000552942)	19 19 / 90506...		1 x C00844254 (488000844254)	pompka do węża spustowego z kulką eco		
013	C00313240 (482000089855)	15 10 / 50302...	19 18 / 90505...	1 x C00844254 (488000844254)	mieszek odpowietrz. (no ball)		
014	C00092411 (482000077739)			1 x C00738334 (488000738334)	zacisk klucza do rur lato pompa sdprow.		
015	C00268109 (482000023096)			1 x C00799111 (488000799111)	ubijak wyjmowany bębna 62lt		

018	C00280757 (482000031484)		ekspander new
019	C00065152 (482000075376)	1 x C00738504 (488000738504)	nakrętka obr.-ruch. m6x22x1,5
020	C00145753 (482000067824)	1 x C00309597 (482000023502)	amortyzator 100 n.
021	C00270717 (482000031003)		koło pasowe napędzane
022	C00051739 (482000070058)	1 x C00143260 (482000029741)	m8 x 20 tefl. 10.9 screw
023	C00119126 (482000022887)		pas elastyczny 1201 - 1198 j6
024	C00285578 (482000031680)		mieszek poboru deterg. futura
025	C00140744 (482000029517)	1 x C00309597 (482000023502)	amortyzator 100 n. kit
099	C00277216 (482000087529)	1 x C00277220 (482000087531)	bracket transverse cabinet

1340310

rysunki



1340310

1340310

Lista części

Ref.	kod	Od S/N	Do S/N	Zamiennik	opis	Notatka	kod
001	C00092348 (482000027921)				self-scraping screw 3,5x8		
002	C00259297 (482000030536)				kabel zasil. 1,5mt shuko 2 way		30765980065
002	C00378710 (482000090241)				power cord 1.2m shuko 3x13ph		769990765981
002	C00270937 (482000023113)				power cord 1.5m shuko 3x1		30765980100
002	C00270937 (482000023113)				power cord 1.5m shuko 3x1		30765989000
002	C00270937 (482000023113)				power cord 1.5m shuko 3x1		30765989001
002	C00270937 (482000023113)				power cord 1.5m shuko 3x1		30765980200
002	C00270937 (482000023113)				power cord 1.5m shuko 3x1		30765980000
002	C00270937 (482000023113)				power cord 1.5m shuko 3x1		30765989101
002	C00259297 (482000030536)				kabel zasil. 1,5mt shuko 2 way		30765989095
002	C00259297 (482000030536)				kabel zasil. 1,5mt shuko 2 way		30765989096
003	C00019902 (482000072836)				wspornik rury spustowej spiraln.		
004	C00142206 (482000022957)				rura spustowa pralko-suszarki 2,14 m		
006	C00272450 (482000023130)		11 50 / 11218...	1 x C00381612 (482000091360)	linear pressure switch		
006	C00289362 (482000023288)	11 51 / 11219...			linear pressure switch 2,5 0:300mm small		
007	C00092412 (482000027923)				zacisk		
008	C00268112 (482000030876)				rura presostatu l=580 mm radomsko		

009	C00094744 (482000078095)		screw locking motor/tub	
010	C00298230 (482000023403)	1 x 481011033707 (C00508713)	motor three phase p50 d21.5 58/62lt 1400	30765989096
010	C00298230 (482000023403)	1 x 481011033707 (C00508713)	motor three phase p50 d21.5 58/62lt 1400	30765989001
010	C00298230 (482000023403)	1 x 481011033707 (C00508713)	motor three phase p50 d21.5 58/62lt 1400	30765989101
010	C00119188 (482000022888)	1 x C00378868 (482000090245)	silnik trójfaz. cim2-55 ad6 acc	30765980000
010	C00298230 (482000023403)	1 x 481011033707 (C00508713)	motor three phase p50 d21.5 58/62lt 1400	30765980065
010	C00119188 (482000022888)	1 x C00378868 (482000090245)	silnik trójfaz. cim2-55 ad6 acc	30765989000
010	C00119188 (482000022888)	1 x C00378868 (482000090245)	silnik trójfaz. cim2-55 ad6 acc	30765980200
010	C00298230 (482000023403)	1 x 481011033707 (C00508713)	motor three phase p50 d21.5 58/62lt 1400	769990765981
010	C00119188 (482000022888)	1 x C00378868 (482000090245)	silnik trójfaz. cim2-55 ad6 acc	30765980100
011	C00119307 (482000022889)	1 x C00507308 (488000507308)	pompa spust./obud.filtr 220- 240v./50hz	30765980000
		1 x C00537136 (488000537136)		
011	C00119307 (482000022889)	1 x C00507308 (488000507308)	pompa spust./obud.filtr 220- 240v./50hz	30765980200
		1 x C00537136 (488000537136)		
011	C00119307 (482000022889)	1 x C00507308 (488000507308)	pompa spust./obud.filtr 220- 240v./50hz	30765989095
		1 x C00537136 (488000537136)		
011	C00119307 (482000022889)	1 x C00507308 (488000507308)	pompa spust./obud.filtr 220- 240v./50hz	30765989001
		1 x C00537136 (488000537136)		

1340310

Lista części

Ref.	kod	Od S/N	Do S/N	Zamiennik	opis	Notatka	kod
011	C00119307 (482000022889)			1 x C00507308 (488000507308)	pompa spust./obud.filtr 220-240v./50hz		30765989101
				1 x C00537136 (488000537136)			
011	C00119307 (482000022889)			1 x C00507308 (488000507308)	pompa spust./obud.filtr 220-240v./50hz		30765989000
				1 x C00537136 (488000537136)			
011	C00514240 (488000514240)			1 x C00517420 (488000517420)	pompa spust./obud.filtr 220-240v 50hz co		769990765981
011	C00119307 (482000022889)			1 x C00507308 (488000507308)	pompa spust./obud.filtr 220-240v./50hz		30765980100
				1 x C00537136 (488000537136)			
011	C00119307 (482000022889)			1 x C00507308 (488000507308)	pompa spust./obud.filtr 220-240v./50hz		30765980065
				1 x C00537136 (488000537136)			
011	C00119307 (482000022889)			1 x C00507308 (488000507308)	pompa spust./obud.filtr 220-240v./50hz		30765989096
				1 x C00537136 (488000537136)			
012	C00045023 (482000022622)				uchwyt filtru askoll/plaset'044998'		
012	C00045025 (482000022623)				uszczelnienie filtra askoll/plaset'044998'		
012	C00297161 (482000023381)				filtr pompy zestaw copreci		
012	C00141034 (482000022946)				filtr pompy zestaw askoll/plaset'044998'		
013	C00254409 (482000084895)				osłona moduł (mylar)		
014	C00272306 (488000272306)				smart reader for card 8kb 32kb + hood		

015	C00308774 (482000089784)		card wmd942keu 32kb sw 87765980303	30765989095
015	C00308774 (482000089784)		card wmd942keu 32kb sw 87765980303	30765989096
015	C00288772		card wmd942keu 32kb sw 87765980004	30765980000
015	C00533037 (488000533037)		card wmd942keu 32kb sw 400011347200	769990765981
015	C00288772		card wmd942keu 32kb sw 87765980004	30765980100
015	C00295421		card wmd942keu 32kb sw 87765980103	30765989000
015	C00308774 (482000089784)		card wmd942keu 32kb sw 87765980303	30765980065
015	C00301653		card wmd942keu 32kb sw 87765980172	30765989101
015	C00301653		card wmd942keu 32kb sw 87765980172	30765989001
015	C00288772		card wmd942keu 32kb sw 87765980004	30765980200
016	C00296179 (482000032083)	1 x C00298694 (482000023409)	moduł trójfazowy arc2 new stby bp imp p5	30765989101
016	C00296179 (482000032083)	1 x C00298694 (482000023409)	moduł trójfazowy arc2 new stby bp imp p5	30765989001
016	481011026469 (C00508711)	1 x C00552844 (488000552844)	control board acu windy strip cim	769990765981
016	C00305416 (482000023471)	1 x C00372753 (482000092308)	moduł arc2.3ph strip p50+evc+ed5	30765980065
016	C00305416 (482000023471)	1 x C00372753 (482000092308)	moduł arc2.3ph strip p50+evc+ed5	30765989096
016	C00285598 (482000088240)	1 x C00296189 (482000023359)	moduł trójfazowy arc.2 full st.by total	30765980000
016	C00305416 (482000023471)	1 x C00372753 (482000092308)	moduł arc2.3ph strip p50+evc+ed5	30765989095
016	C00285598 (482000088240)	1 x C00296189 (482000023359)	moduł trójfazowy arc.2 full st.by total	30765980200

1340310

Lista części

Ref.	kod	Od S/N	Do S/N	Zamiennik	opis	Notatka	kod
016	C00285598 (482000088240)			1 x C00296189 (482000023359)	moduł trójfazowy arc.2 full st.by total		30765980100
016	C00290239 (482000088732)			1 x C00296191 (482000023361)	moduł arc2.3ph full wd 1100w+ hc+ lamp		30765989000
017	C00094715 (482000022781)				opornik 1700/230 vpl lb		
018	C00083915 (482000022721)			1 x 481010906691 (C00508678)	sonda-temperatury ntc elth tl ph2001		
019	C00283631 (482000023208)				lej margherita 2		
020	C00283629 (482000023512)				pojemnik na detergent obrot. zest. margh		
021	C00283624 (482000023207)				pokrywa dodatki niebieska margherita 2		
022	C00285592 (482000023242)				divider for soap dispenser drawer		
028	C00256761 (482000030462)				rączka otwierania drzwiczek		
029	C00003070 (482000022577)			1 x 484000001132 (C00314116)	rura doprowadzająca 1,5m 'kolanko'rohs		
030	C00110333 (482000022813)				elektrozawór iwej2wyj 7 l grz. 2,5 230 v		
031	C00064534 (482000022667)				uszczelnienie leja'lvb2000'		
032	C00005572 (482000025916)				uszczelnienie rura doprow.		
033	C00005781 (482000025917)				filtr rura doprow.		
034	C00267092 (482000030836)				wspornik ekeltrozaworu 1 ev		
035	C00294848 (482000023344)	12 41 / 21010...			door interlock bitron ist dl-s2 + door s		30765989000
035	C00294848 (482000023344)	12 41 / 21010...			door interlock bitron ist dl-s2 + door s		30765989101

035	C00294848 (482000023344)	12 41 / 21010...	door interlock bitron ist dl-s2 + door s	30765989001
035	C00294848 (482000023344)	12 41 / 21010...	door interlock bitron ist dl-s2 + door s	30765989095
035	C00294848 (482000023344)	12 41 / 21010...	door interlock bitron ist dl-s2 + door s	30765989096
035	C00294848 (482000023344)	12 41 / 21010...	door interlock bitron ist dl-s2 + door s	30765980065
035	C00294848 (482000023344)	12 41 / 21010...	door interlock bitron ist dl-s2 + door s	769990765981
035	C00285597 (482000031685)	12 41 / 21009...	door interlock bitron futura	30765980100
035	C00285597 (482000031685)	12 41 / 21009...	door interlock bitron futura	30765980200
035	C00285597 (482000031685)	12 41 / 21009...	door interlock bitron futura	30765980000
036	C00271408 (482000031053)		kabel opornik - filtr tłumiący zakł. rad	30765989096
036	C00271408 (482000031053)		kabel opornik - filtr tłumiący zakł. rad	30765980065
036	C00271422 (482000086682)		kabel uziemienia	30765989000
036	C00271422 (482000086682)		kabel uziemienia	30765989101
036	C00271422 (482000086682)		kabel uziemienia	30765989001
036	C00271422 (482000086682)		kabel uziemienia	30765989095
036	C00515819 (488000515819)		okablowanie moduł-elektrozawór	769990765981
036	C00271422 (482000086682)		kabel uziemienia	30765980200
036	C00271422 (482000086682)		kabel uziemienia	30765980000
036	C00271422 (482000086682)		kabel uziemienia	30765980100

1340310

Lista części

Ref.	kod	Od S/N	Do S/N	Zamiennik	opis	Notatka	kod
036	C00271422 (482000086682)				kabel uziemienia		30765989096
036	C00271422 (482000086682)				kabel uziemienia		30765980065
036	C00283597 (482000031590)				okablowanie moduł-elektrozawór		30765989000
036	C00283597 (482000031590)				okablowanie moduł-elektrozawór		30765989101
036	C00283597 (482000031590)				okablowanie moduł-elektrozawór		30765989001
036	C00283597 (482000031590)				okablowanie moduł-elektrozawór		30765989095
036	C00283597 (482000031590)				okablowanie moduł-elektrozawór		30765980200
036	C00283597 (482000031590)				okablowanie moduł-elektrozawór		30765980000
036	C00283597 (482000031590)				okablowanie moduł-elektrozawór		30765980100
036	C00283597 (482000031590)				okablowanie moduł-elektrozawór		30765989096
036	C00283597 (482000031590)				okablowanie moduł-elektrozawór		30765980065
036	C00283601 (482000088083)				wiazka silnik - modul arcadia 2		30765989000
036	C00283601 (482000088083)				wiazka silnik - modul arcadia 2		30765989101
036	C00283601 (482000088083)				wiazka silnik - modul arcadia 2		30765989001
036	C00283601 (482000088083)				wiazka silnik - modul arcadia 2		30765989095
036	C00283601 (482000088083)				wiazka silnik - modul arcadia 2		30765980200
036	C00283601 (482000088083)				wiazka silnik - modul arcadia 2		30765980000

036	C00283601 (482000088083)		wiazka silnik - modul arcadia 2	30765980100
036	C00283601 (482000088083)		wiazka silnik - modul arcadia 2	30765989096
036	C00283601 (482000088083)		wiazka silnik - modul arcadia 2	30765980065
036	C00285914 (482000023247)		kabel display-modul arcadia 2	30765989000
036	C00285914 (482000023247)		kabel display-modul arcadia 2	30765989101
036	C00285914 (482000023247)		kabel display-modul arcadia 2	30765989001
036	C00285914 (482000023247)		kabel display-modul arcadia 2	30765989095
036	C00285914 (482000023247)		kabel display-modul arcadia 2	30765980200
036	C00285914 (482000023247)		kabel display-modul arcadia 2	30765980000
036	C00285914 (482000023247)		kabel display-modul arcadia 2	30765980100
036	C00285914 (482000023247)		kabel display-modul arcadia 2	30765989096
036	C00285914 (482000023247)		kabel display-modul arcadia 2	30765980065
036	C00285915 (482000088274)	1 x C00629218 (488000629218)	cablage door lock+drain pump (j10)	30765989000
036	C00285915 (482000088274)	1 x C00629218 (488000629218)	cablage door lock+drain pump (j10)	30765989101
036	C00285915 (482000088274)	1 x C00629218 (488000629218)	cablage door lock+drain pump (j10)	30765989001
036	C00285915 (482000088274)	1 x C00629218 (488000629218)	cablage door lock+drain pump (j10)	30765989095
036	C00285915 (482000088274)	1 x C00629218 (488000629218)	cablage door lock+drain pump (j10)	30765980200
036	C00285915 (482000088274)	1 x C00629218 (488000629218)	cablage door lock+drain pump (j10)	30765980000

1340310

Lista części

Ref.	kod	Od S/N	Do S/N	Zamiennik	opis	Notatka	kod
036	C00285915 (482000088274)			1 x C00629218 (488000629218)	cablage door lock+drain pump (j10)		30765980100
036	C00285915 (482000088274)			1 x C00629218 (488000629218)	cablage door lock+drain pump (j10)		30765989096
036	C00285915 (482000088274)			1 x C00629218 (488000629218)	cablage door lock+drain pump (j10)		30765980065
036	C00285916 (482000088275)				ogranicznik presostat arcadia 2 je8		30765989000
036	C00285916 (482000088275)				ogranicznik presostat arcadia 2 je8		30765989101
036	C00285916 (482000088275)				ogranicznik presostat arcadia 2 je8		30765989001
036	C00285916 (482000088275)				ogranicznik presostat arcadia 2 je8		30765989095
036	C00285916 (482000088275)				ogranicznik presostat arcadia 2 je8		30765980200
036	C00285916 (482000088275)				ogranicznik presostat arcadia 2 je8		30765980000
036	C00285916 (482000088275)				ogranicznik presostat arcadia 2 je8		30765980100
036	C00285916 (482000088275)				ogranicznik presostat arcadia 2 je8		30765989096
036	C00285916 (482000088275)				ogranicznik presostat arcadia 2 je8		30765980065
036	C00516627 (488000516627)				wiring heater wash windy		769990765981
036	C00515820 (488000515820)				wiring pressure sensor +wash ntc		769990765981
036	C00515816 (488000515816)				wiring filter/door lock windy		769990765981
036	C00515821 (488000515821)				wiring unit interface windy		769990765981
036	C00516625 (488000516625)				wiring motor windy		769990765981

036	C00516626 (488000516626)		wiring drain pump windy	769990765981
036	C00516628 (488000516628)		wiring earth windy	769990765981
036	C00271408 (482000031053)		kabel opornik - filtr tłumiący zakł. rad	30765989000
036	C00271408 (482000031053)		kabel opornik - filtr tłumiący zakł. rad	30765989101
036	C00271408 (482000031053)		kabel opornik - filtr tłumiący zakł. rad	30765989001
036	C00271408 (482000031053)		kabel opornik - filtr tłumiący zakł. rad	30765989095
036	C00271408 (482000031053)		kabel opornik - filtr tłumiący zakł. rad	30765980200
036	C00271408 (482000031053)		kabel opornik - filtr tłumiący zakł. rad	30765980000
036	C00271408 (482000031053)		kabel opornik - filtr tłumiący zakł. rad	30765980100
037	C00738303 (488000738303)	21 39 / 10930...	hopper cover assembly 535 bks	n4021i03
037	C00285913 (482000031700)	21 34 / 10829...	pokrywa lej maxi 1e2u	n4021i03
038	C00046157 (482000022627)		zatyczka pojemnika na deterg błękit. (poprz. niebiesk.)	
039	C00287239 (482000023270)		zbiorniczek na dodatki do kasety obr. 'ab	
099	C00276837 (482000087496)		fixing bracket heater element	

Notatki

n4011c00: Counterweight screws

W przypadku ponownego mocowania przeciwwagi na zbiorniku plastikowym pralki stosować śruby o większej średnicy (kod części C00194612).

Natomiast w przypadku mocowania przeciwwagi na nowym zbiorniku plastikowym pralki stosować śruby o średnicy oryginalnej (kod części C00194611).

n4021i03: NEW ROTATING DISPENSER ASSEMBLY BUILT IN WM INTRODUCED

A new rotating dispenser assembly BKS has been introduced (spare part code C00738303).

IN ==> C00738303 ROTATING DISPENSER ASSEMBLY 535 BKS_ROW , backsiphonage compliant

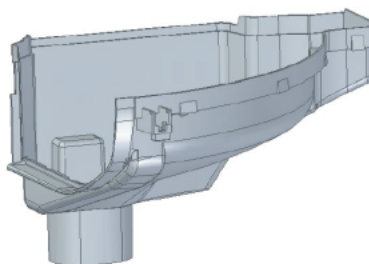
OUT ==> C00285913 ROTATING HOPPER COVER MAXI 535 1E2U

IN ==> C00738323 DISPENSER BODY HOUSING 535 BKS

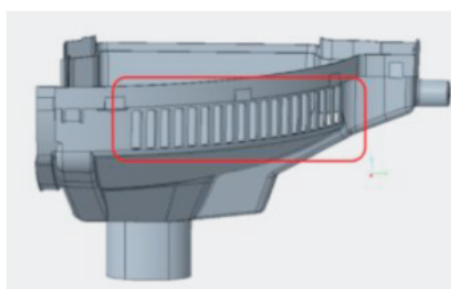
OUT ==> C00300304 DISPENSER BODY HOUSING 535

New codes C00738303 / C00738323 can be used in place of the old C00285913 / C00300304 , but not vice versa.

old



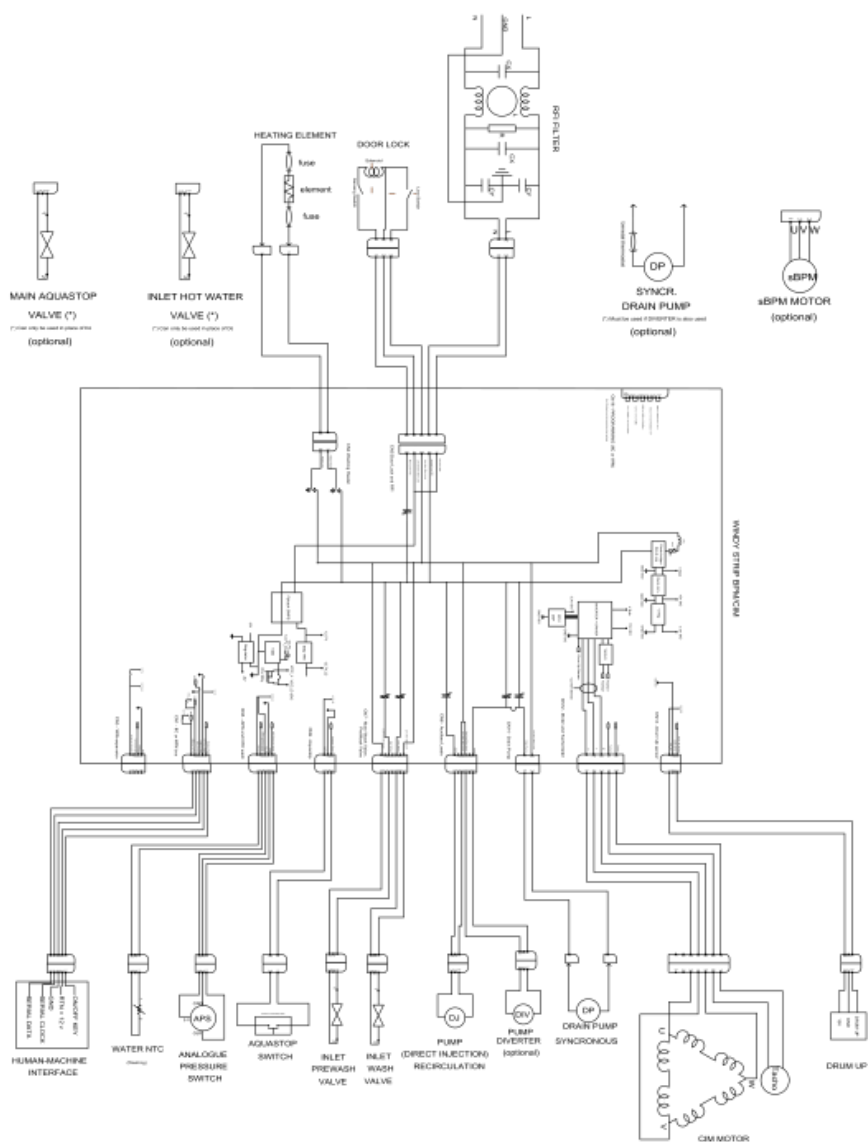
new (bks compliant)



Schematy elektryczne i linki

Cod. se400011111458

Plan odpowiedni dla następujących kodów handlowych 769990765981



se40001111458

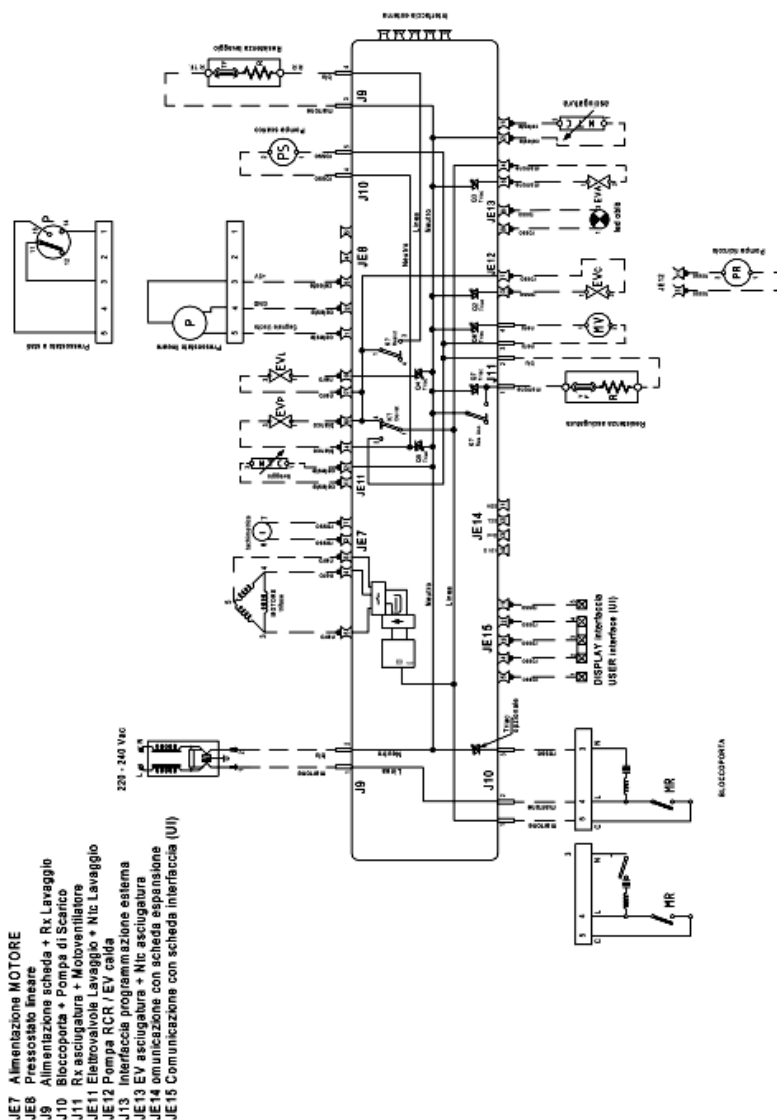
Legenda

Legenda: se40001111458

Schematy elektryczne i linki

Cod. 16002642

Plan odpowiedni dla następujących kodów handlowych 30765980000, 30765980065, 30765980100, 30765980200, 30765989000, 30765989001, 30765989095, 30765989096, 30765989101



se16002642

Legenda

Legenda: 160026462