

LL-1301

WFH1572F
00.206.113.00

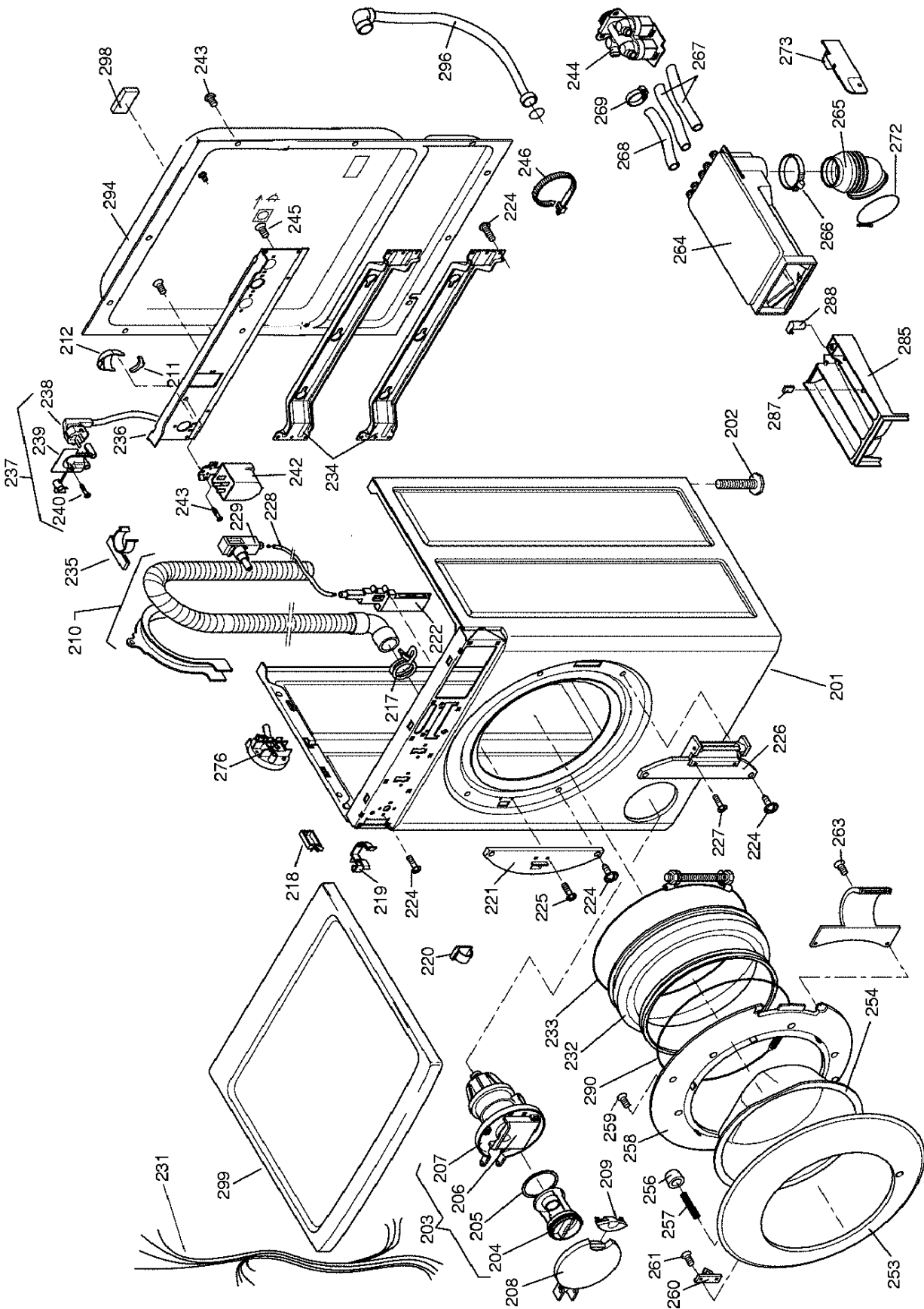
Brandt



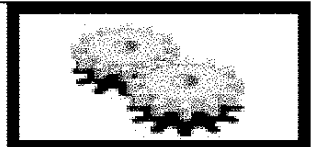
| REP. | REF. SAV | DESIGNATION | REP. | REF. SAV | DESIGNATION |
|------|----------|----------------------|------|----------|--------------------|
| SR | 85X0244 | NOTICE D'UTILISATION | 108 | 55X7889 | BOUTON |
| 100 | 55X7761 | CARTE DE PUISSANCE | 109 | 55X8188 | POIGNEE ASSEMBLEE |
| 101 | 52X0048 | CARTE DE COMMANDE | 110 | 52X0727 | DECOR DE POIGNEE |
| 103 | 52X0680 | PLATINE DE FRONTON | 111 | 55X7892 | ENJOLIVEUR POIGNEE |
| 104 | 55X7781 | ENJOLIVEUR | 112 | 55X7893 | INSERT |
| 105 | 52X0740 | DECOR BANDEAU | 113 | 55X7894 | JOUE DROITE |
| 106 | 52X0692 | TOUCHE DE PORTE | 114 | 55X7895 | JOUE GAUCHE |
| 107 | 57X1039 | RESSORT DE PORTE | | | |

WFH1572F
00.206.113.00

Brandt



LB-1822



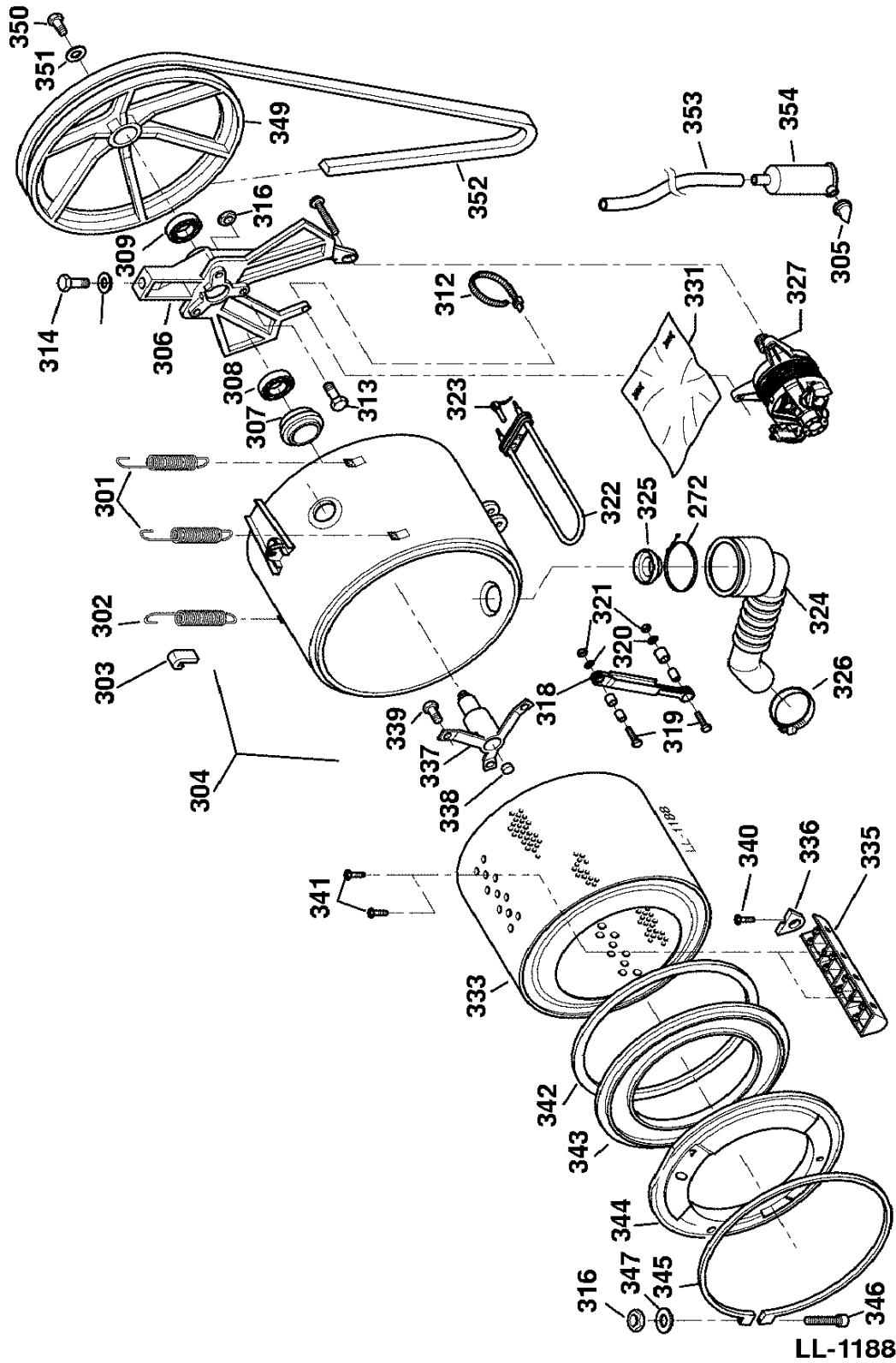
| REP. | REF. SAV | DESIGNATION | REP. | REF. SAV | DESIGNATION |
|------|----------|----------------------------|------|----------|--------------------------------|
| 201 | 55X7785 | HABILLAGE | 231 | 52X0524 | FILERIE |
| 202 | 55X3065 | PIED REGLABLE | 232 | 55X5379 | MANCHETTE |
| 203 | 55X7186 | POMPE DE VIDANGE | 233 | 55X2210 | BRIDE DE FIXATION |
| 204 | 55X3630 | BOUCHON DE VIDANGE | 234 | 55X3659 | TRAVERSE ARRIERE |
| 205 | 55X3631 | JOINT | 235 | 55X5903 | SUPPORT TUYAU |
| 206 | 55X3699 | INSERT | 236 | 55X5465 | PLATINE ARRIERE |
| 207 | 55X5647 | FILTRE | 237 | 55X6151 | CORDON SECTEUR |
| 208 | 55X3632 | TRAPPE DE VISITE | 238 | 48X1194 | CORDON SECTEUR |
| 209 | 55X3633 | VERROU POMPE | 239 | 55X6766 | COUVERCLE BORNIER |
| 210 | 52X0688 | TUYAU DE VIDANGE | 240 | 55X6768 | VIS FIX.COUVERCLE |
| 211 | 55X6346 | COUDE | 242 | 55X6046 | FILTRE ANTIPARASITES |
| 212 | 55X6347 | SERRE TUYAUX | 243 | 55X2472 | VIS 4.2X9.5 |
| 217 | 55X3789 | CLIPS | 244 | 55X7869 | ELECTROVANNE 3VOIES |
| 218 | 57X1042 | FIXATION DE CABLE | 245 | 55X3717 | VIS M4X6 |
| 219 | 55X3634 | FIXATION FILERIE | 246 | 55X3665 | COLLIER FIXATION |
| 220 | 55X7860 | CLIPS | 253 | 55X7743 | PORTE |
| 221 | 55X7647 | PLATINE VERROUILLAGE | 254 | 55X5381 | HUBLOT |
| 222 | 55X3636 | SECURITE DE PORTE | 256 | 55X3652 | BUTEE DE PORTE |
| 224 | 55X3639 | VIS M5X11 | 257 | 55X3704 | RESSORT DE PORTE |
| 225 | 55X3637 | VIS SERRURE HUBLOT | 258 | 55X5387 | SUPPORT HUBLOT |
| 226 | 55X8219 | CHARNIERE DE HUBLOT | 259 | 55X3637 | VIS HUBLOT |
| 227 | 55X3640 | VIS CHARNIERE M5X16 | 260 | 55X3654 | DOIGT DE VERROU |
| 228 | 55X3641 | CABLE DE PORTE | 261 | 55X7897 | VIS K40X10 |
| 229 | 55X3568 | COMMANDE SERRURE | 263 | 55X7898 | VIS 50X14 |
| 231 | 55X5665 | FILERIE PROG/CLAVIER | 264 | 55X2420 | DISTRIBUTEUR LESSIVE |
| 231 | 55X7863 | FILERIE MOTEUR/CARTE | 265 | 55X7870 | DURIT BOITE CUVE |
| 231 | 55X7864 | FILERIE THERMISTANCE | 266 | 55X3662 | COLLIER FIXATION |
| 231 | 55X7865 | FILERIE PROG/POMPE | 267 | 55X6291 | TUYAU ELECTROVANNE 10X3X0,157M |
| 231 | 55X7866 | FIL.PROG/PRESSOSTAT | 268 | 55X6292 | TUYAU ELECTROVANNE 10X3X0,117M |
| 231 | 55X7867 | FIL.PROG/RESIST/PRES | 269 | 94X3621 | COLLIER FIXATION |
| 231 | 55X7868 | FIL.PROG/ELECTROVAN. | 272 | 55X7871 | COLLIER FIXATION |
| 231 | 5X0397 | FILERIE THERMOSTAT WA 5220 | 273 | 55X5430 | FIXATION DISTRIB. |

WFH1572F
00.206.113.00

Brandt



| REP. | REF. SAV | DESIGNATION | REP. | REF. SAV | DESIGNATION |
|------|----------|----------------------|------|----------|-------------|
| 276 | 55X7782 | PRESSOSTAT | | | |
| 285 | 55X2777 | BOITE A PRODUITS | | | |
| 287 | 55X2419 | INDEX | | | |
| 288 | 55X2427 | SIPHON ADDITIF | | | |
| 290 | 55X5455 | ANNEAU | | | |
| 294 | 55X3670 | TOLE ARRIERE | | | |
| 296 | 55X2335 | TUYAU D'ALIMENTATION | | | |
| 298 | 55X3671 | TOLE DE FOND | | | |
| 299 | 55X7872 | TOP | | | |





| REP. | REF. SAV | DESIGNATION | REP. | REF. SAV | DESIGNATION |
|------|----------|----------------------|------|----------|---------------------|
| 272 | 55X7871 | COLLIER FIXATION | 341 | 55X2475 | VIS 40X16 |
| 301 | 55X3672 | RESSORT DROIT | 342 | 55X2299 | JOINT DE CUVE |
| 302 | 55X3673 | RESSORT GAUCHE | 343 | 55X2205 | FLASQUE |
| 303 | 55X3674 | GUIDE | 344 | 55X3691 | LEST |
| 304 | 55X7957 | CUVE ASSEMBLEE | 345 | 55X3692 | BRIDE DE FIXATION |
| 305 | 55X2351 | JOINT | 346 | 55X3693 | VIS FIX.BRIDE M8X80 |
| 306 | 55X5839 | PALIER | 347 | 55X3694 | RONDELLE |
| 307 | 55X2521 | JOINT DE PALIER 69MM | 349 | 55X2442 | POULIE |
| 308 | 55X2513 | ROULEMENT | 350 | 55X2477 | VIS M8X20 |
| 309 | 55X2514 | ROULEMENT | 351 | 55X2495 | RONDELLE |
| 312 | 55X3665 | COLLIER FIXATION | 352 | 55X5661 | COURROIE 1249J5 |
| 313 | 55X5457 | VIS M8X20 | 353 | 55X9011 | TUYAU PRESSOSTAT |
| 314 | 55X3714 | VIS SUPPORT TAMBOUR | 354 | 55X7735 | CHAMBRE COMPRESSION |
| 316 | 55X2485 | ECROU M8 | | | |
| 318 | 55X7920 | AMORTISSEUR | | | |
| 319 | 55X2461 | VIS AMORTISSEUR | | | |
| 320 | 55X2501 | RONDELLE | | | |
| 321 | 55X2486 | CONTRE-ECROU | | | |
| 322 | 57X1989 | THERMOPLONGEUR | | | |
| 323 | 55X7874 | SONDE DE TEMPERATURE | | | |
| 324 | 55X7741 | DURIT CUVE/POMPE | | | |
| 325 | 55X2391 | CLAPET ANTI-RETOUR | | | |
| 326 | 55X3685 | COLLIER FIXATION | | | |
| 327 | 55X7747 | MOTEUR | | | |
| 331 | 55X3687 | CAPOT DE MOTEUR | | | |
| 333 | 55X8101 | TAMBOUR | | | |
| 335 | 55X6754 | OMEGA | | | |
| 336 | 55X2450 | PLATINE | | | |
| 337 | 55X5433 | AXE DE PALIER | | | |
| 338 | 55X3690 | AMORTISSEUR | | | |
| 339 | 55X2470 | VIS | | | |
| 340 | 55X2476 | VIS FIX.OMEGA | | | |

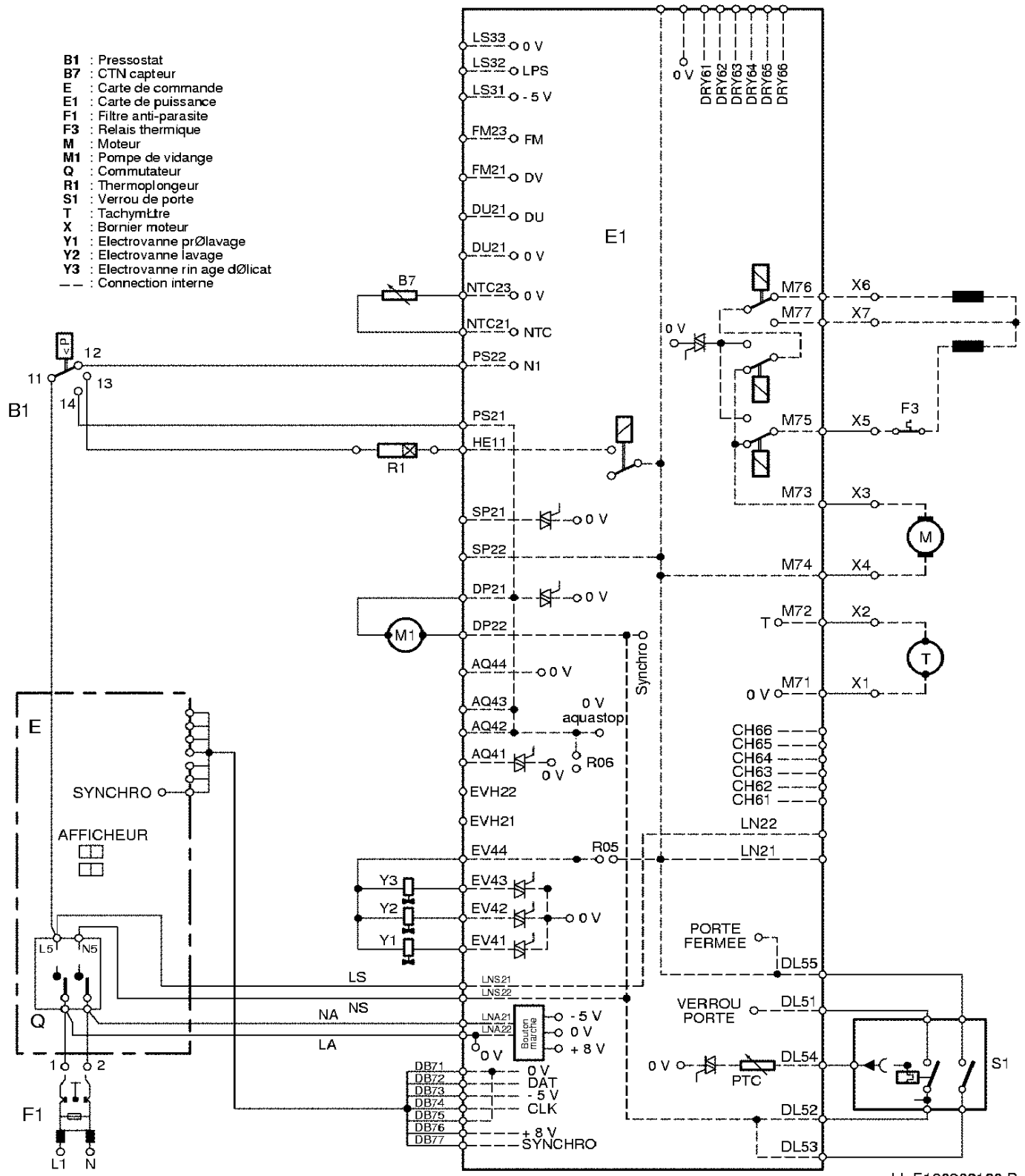
LAVE LINGE

WFH1572F

00.206.113.00

Brandt

NOTICE
TECHNIQUE



LL E120900100 P