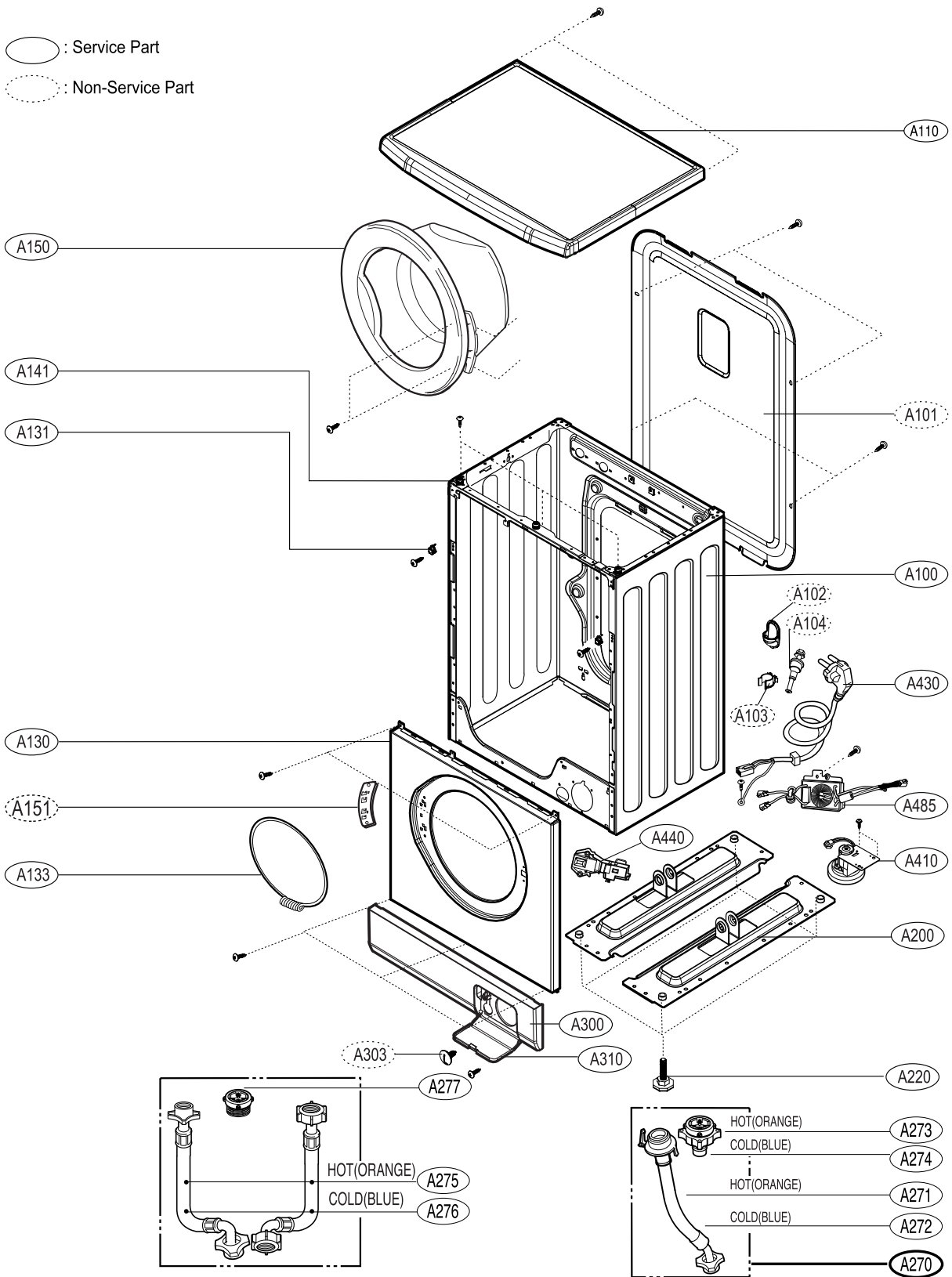


10. EXPLODED VIEW

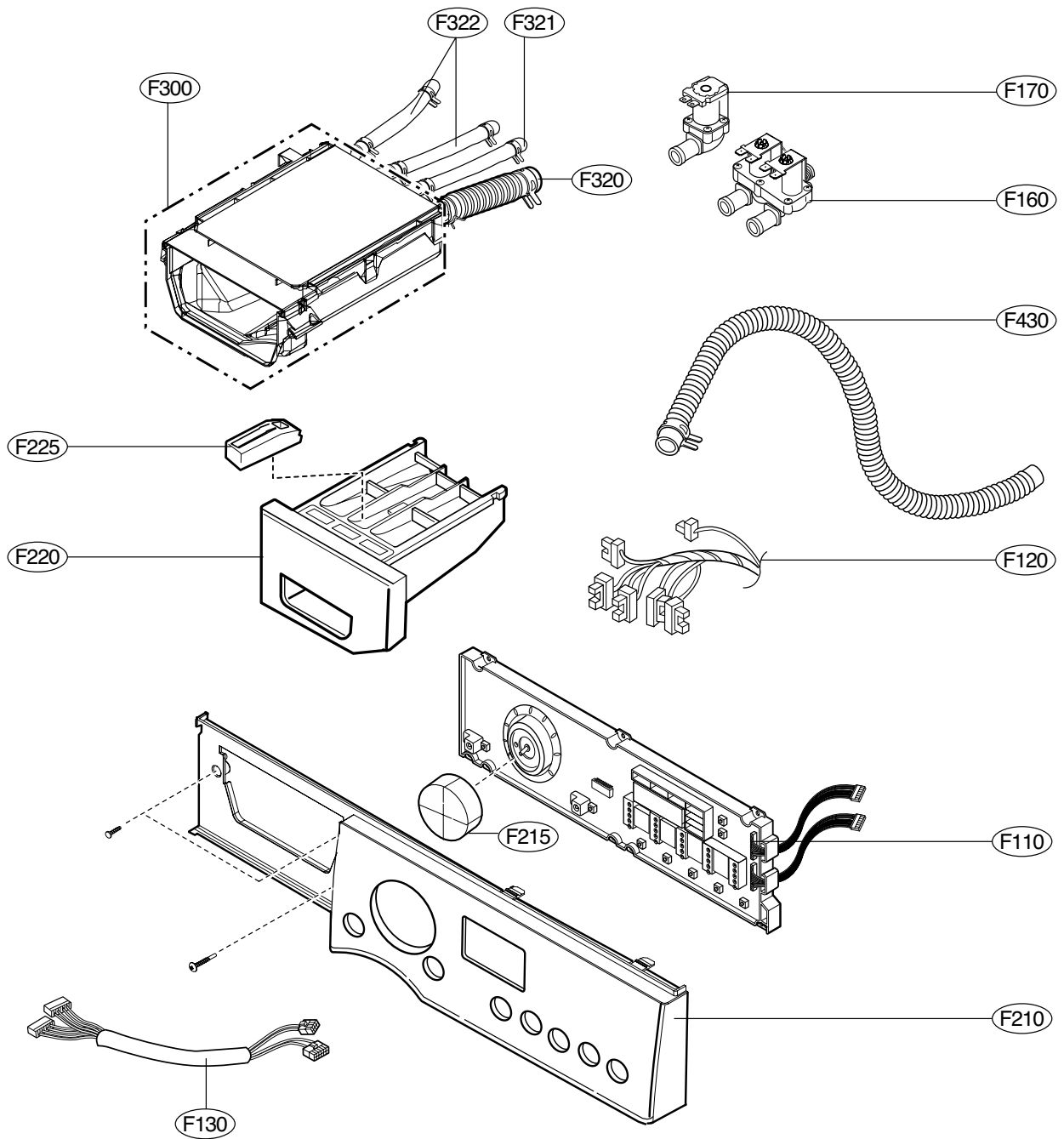
10-1. THE EXPLODED VIEW OF CABINET ASSEMBLY

○ : Service Part

○ : Non-Service Part

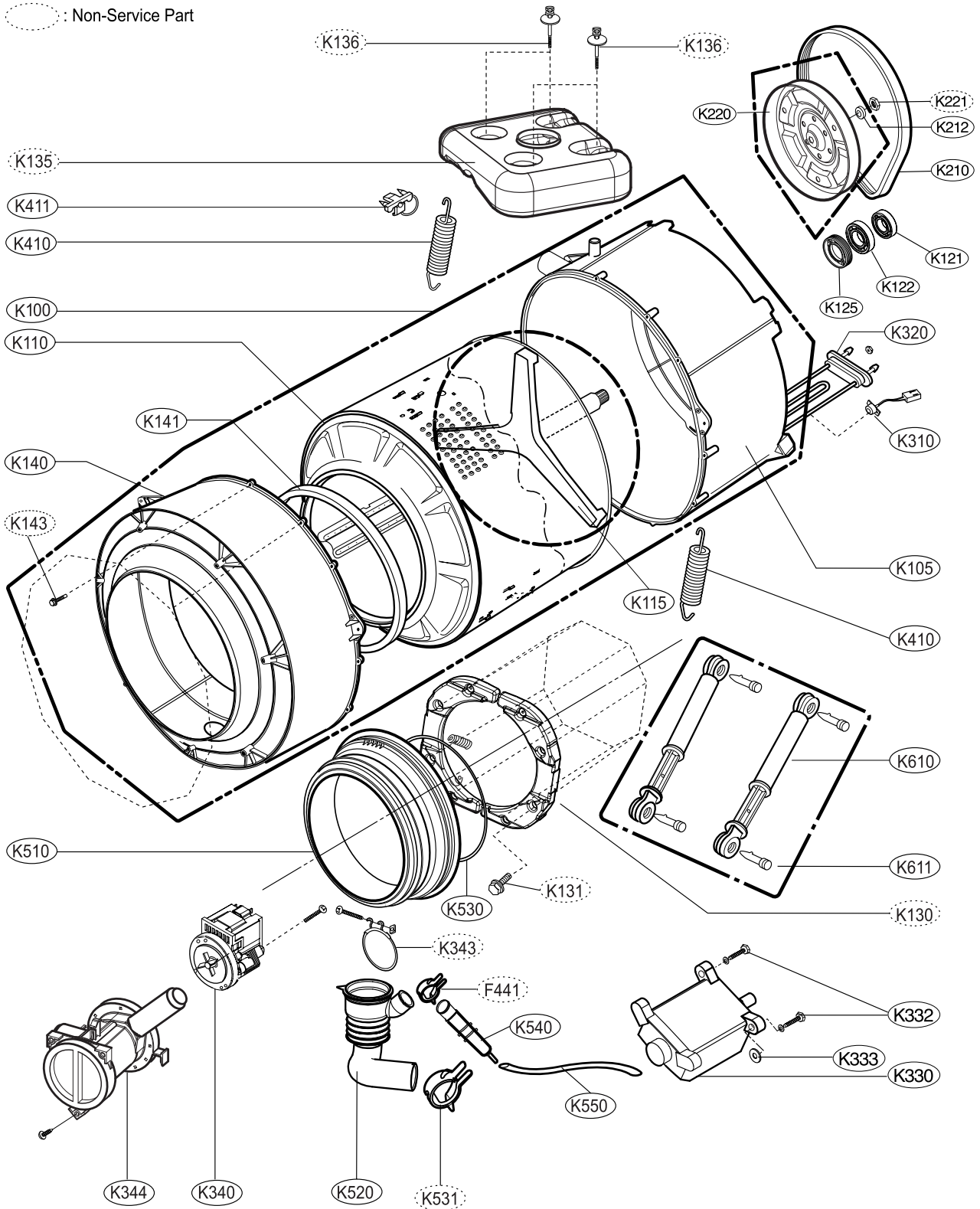


10-2 THE EXPLODED VIEW OF CONTROL PANEL & DISPENSER ASSEMBLY



10-3 THE EXPLODED VIEW OF DRUM & TUB ASSEMBLY

- : Service Part
- (dashed) : Non-Service Part



REP	REFERENCE	DESIGNATION
*003	5054EN3001A	Spanner
A105	5006EN4005A	Cap,Hole
A110	3457EN1004C	Plate Assembly,Top
A130	3550EN1018A	Cover,Cabinet
A133	4861EN3004A	Clamp Assembly
A133	4861EN3004A	CLAMP ASSEMBLY
A140	4774EN2001A	Hinge
A150	3581EN1002A	Door Assembly
A150	3581EN1002A	DOOR ASSEMBLY
A151	3212EN1004A	Frame,Door(Outer)
A152	3212EN1003A	DOOR FRAME,INNER
A153	3650EN3005A	Handle
A220	4779EN4001C	Leg Assembly
A276	5214EN1004A	Hose,Inlet
A300	3550EN1016A	Cover,Lower
A310	5006EN3005A	Cap,Cover
A310	5006EN3005A	CAP,COVER
A410	6601EN1005A	Switch Assembly
A430	6411EN1003Y	Power Cord Assembly
A440	6601EN1003A	SWITCH ASSEMBLY,DOOR
A450	6871EN1053E	PCB Assembly,Main
A485	6201EN1004A	Filter,AC Line
F120	6877EN1047C	Harness,Multi
F160	5220FR1251E	Valve Assembly,Inlet
F210	3721EN1018W	PANEL ASSEMBLY,CONTROL
F215	4940EN3004B	Knob,Rotary
F220	3721EN1042W	PANEL ASSEMBLY,DRAWER
F300	4925EN1003C	Dispenser Assembly
F310	4738EN2002A	Bellows
F430	5214EN3042C	Hose,Pump
F441	4861EN3003C	Clamp Assembly
K105	3045EN0005A	Tub Assembly,Outer
K110	3045EN0003C	Tub Assembly,Drum(Inner)
K115	4434EN1002A	Spider
K121	4280EN4001A	Bearing,Ball
K122	4280EN4001B	Bearing,Ball
K125	4036EN2001B	Gasket
K140	3550EN0003A	COVER,TUB
K141	4036EN4002A	Gasket
K210	4400EN3001A	BELT,POLY-V
K220	4560EN1001A	Pulley,Drum
K310	6323EN1001A	Thermistor,NTC
K320	5301FR1158D	HEATER ASSEMBLY
K320	5301FR1158D	HEATER ASSEMBLY
K330	4681EN1010D	Motor,DC
K340	4681EN2002E	Motor Assembly,AC,Pump
K343	4860EN3001C	Clamp,Tub
K344	3109EN2001A	Casing Assembly,Pump
K410	4970EN2001A	Spring,Hinge
K510	4986EN1003A	Gasket,Door
K520	4738EN2001A	Bellows
K530	4861EN3002A	Clamp Assembly
K540	3504EN3001A	Chamber,Air
K550	5214EN4001F	Hose,Inlet

K610	4901ER2003A	Damper Assembly,Friction
K611	4774EN3002A	Hinge

LG-WD-10150TUP