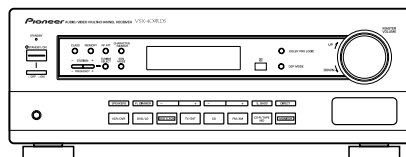


Service Manual

Pioneer



ORDER NO.
RRV2200

AUDIO/VIDEO MULTI-CHANNEL RECEIVER

VSX-409RDS

THIS MANUAL IS APPLICABLE TO THE FOLLOWING MODEL(S) AND TYPE(S).

Type	Model	Power Requirement	Remarks
	VSX-409RDS		
MYXJIEW	○	AC220-230V	
MYXJIGR	○	AC220-230V	
MVXJI	○	AC230V	

CONTENTS

1. SAFETY INFORMATION	2	7. GENERAL INFORMATION	40
2. EXPLODED VIEWS AND PARTS LIST	3	7.1 DISASSEMBLY	40
3. BLOCK DIAGRAM AND SCHEMATIC DIAGRAM	8	7.2 PARTS	41
4. PCB CONNECTION DIAGRAM	24	7.2.1 IC	41
5. PCB PARTS LIST	36	7.2.2 DISPLAY	47
6. ADJUSTMENT	39	8. PANEL FACILITIES AND SPECIFICATIONS	49

PIONEER CORPORATION 4-1, Meguro 1-chome, Meguro-ku, Tokyo 153-8654, Japan
PIONEER ELECTRONICS SERVICE, INC. P.O. Box 1760, Long Beach, CA 90801-1760, U.S.A.
PIONEER ELECTRONIC (EUROPE) N.V. Haven 1087, Keetberglaan 1, 9120 Melsele, Belgium
PIONEER ELECTRONICS ASIACENTRE PTE. LTD. 253 Alexandra Road, #04-01, Singapore 159936
 © PIONEER CORPORATION 1999

1. SAFETY INFORMATION

This service manual is intended for qualified service technicians ; it is not meant for the casual do-it-yourselfer. Qualified technicians have the necessary test equipment and tools, and have been trained to properly and safely repair complex products such as those covered by this manual. Improperly performed repairs can adversely affect the safety and reliability of the product and may void the warranty. If you are not qualified to perform the repair of this product properly and safely, you should not risk trying to do so and refer the repair to a qualified service technician.



WARNING

This product contains lead in solder and certain electrical parts contain chemicals which are known to the state of California to cause cancer, birth defects or other reproductive harm.

Health & Safety Code Section 25249.6 – Proposition 65



NOTICE

(FOR CANADIAN MODEL ONLY)

Fuse symbols  (fast operating fuse) and/or  (slow operating fuse) on PCB indicate that replacement parts must be of identical designation.

REMARQUE

(POUR MODÈLE CANADIEN SEULEMENT)

Les symboles de fusible  (fusible de type rapide) et/ou  (fusible de type lent) sur CCI indiquent que les pièces de remplacement doivent avoir la même désignation.

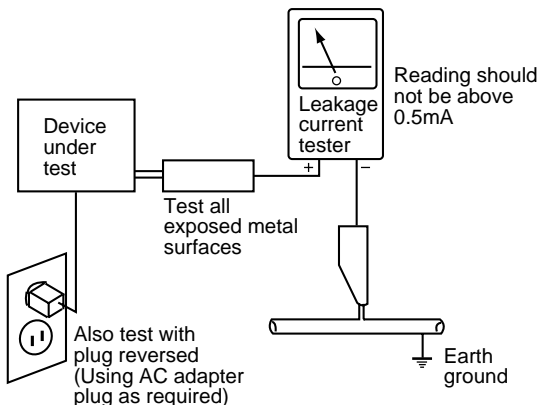
(FOR USA MODEL ONLY)

1. SAFETY PRECAUTIONS

The following check should be performed for the continued protection of the customer and service technician.

LEAKAGE CURRENT CHECK

Measure leakage current to a known earth ground (water pipe, conduit, etc.) by connecting a leakage current tester such as Simpson Model 229-2 or equivalent between the earth ground and all exposed metal parts of the appliance (input/output terminals, screwheads, metal overlays, control shaft, etc.). Plug the AC line cord of the appliance directly into a 120V AC 60Hz outlet and turn the AC power switch on. Any current measured must not exceed 0.5mA.



AC Leakage Test

ANY MEASUREMENTS NOT WITHIN THE LIMITS OUTLINED ABOVE ARE INDICATIVE OF A POTENTIAL SHOCK HAZARD AND MUST BE CORRECTED BEFORE RETURNING THE APPLIANCE TO THE CUSTOMER.

2. PRODUCT SAFETY NOTICE

Many electrical and mechanical parts in the appliance have special safety related characteristics. These are often not evident from visual inspection nor the protection afforded by them necessarily can be obtained by using replacement components rated for voltage, wattage, etc. Replacement parts which have these special safety characteristics are identified in this Service Manual.

Electrical components having such features are identified by marking with a Δ on the schematics and on the parts list in this Service Manual.

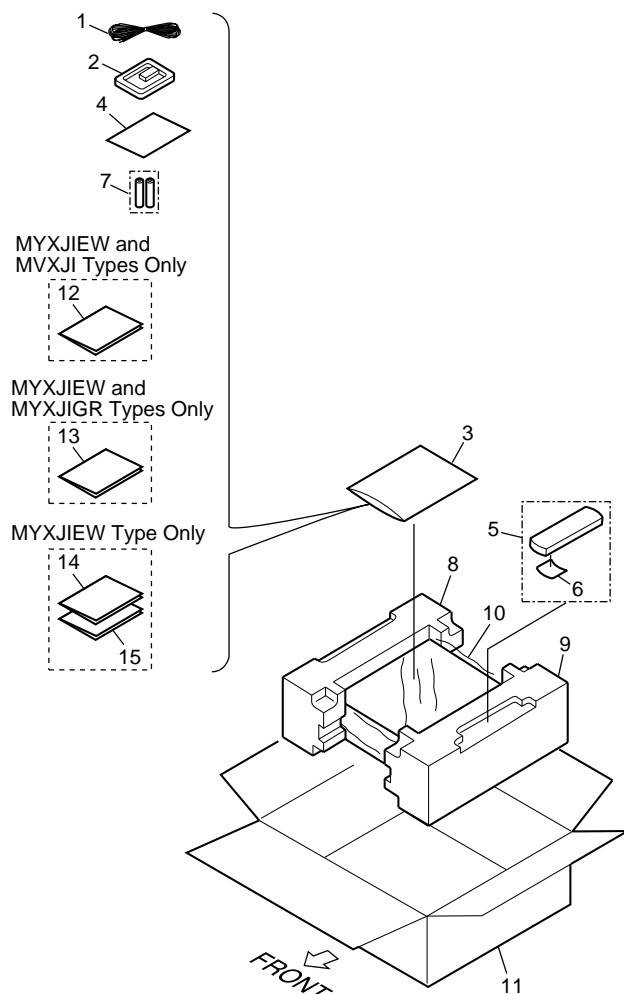
The use of a substitute replacement component which does not have the same safety characteristics as the PIONEER recommended replacement one, shown in the parts list in this Service Manual, may create shock, fire, or other hazards.

Product Safety is continuously under review and new instructions are issued from time to time. For the latest information, always consult the current PIONEER Service Manual. A subscription to, or additional copies of, PIONEER Service Manual may be obtained at a nominal charge from PIONEER.

2. EXPLODED VIEWS AND PARTS LIST

- NOTES:
- Parts marked by "NSP" are generally unavailable because they are not in our Master Spare Parts List.
 - The Δ mark found on some component parts indicates the importance of the safety factor of the part. Therefore, when replacing, be sure to use parts of identical designation.
 - Screws adjacent to ∇ mark on the product are used for disassembly.

2.1 PACKING



(1) PACKING PARTS LIST

Mark	No.	Description	Part No.
	1	FM Wire Antenna	ADH7005
	2	AM Loop Antenna	ATB7009
	3	Polyethylene Bag (0.03 × 230 × 340)	Z21-038
NSP	4	Warranty Card	ARY7022
	5	Remote Control Unit (CU-VSX167)	AXD7243
NSP	6	Battery Cover	RZN1156
	7	Dry Cell Battery (R6P, AA)	VEM-013
	8	Left Pad	AHA7263
	9	Right Pad	AHA7264
	10	Packing Sheet	AHG7010
	11	Packing Case	AHD7771
	12	Operating Instructions (English)	See Contrast table (2)
	13	Operating Instructions (German)	See Contrast table (2)
	14	Operating Instructions (Dutch/French/Swedish)	See Contrast table (2)
	15	Operating Instructions (Spanish/Portuguese/Italian)	See Contrast table (2)

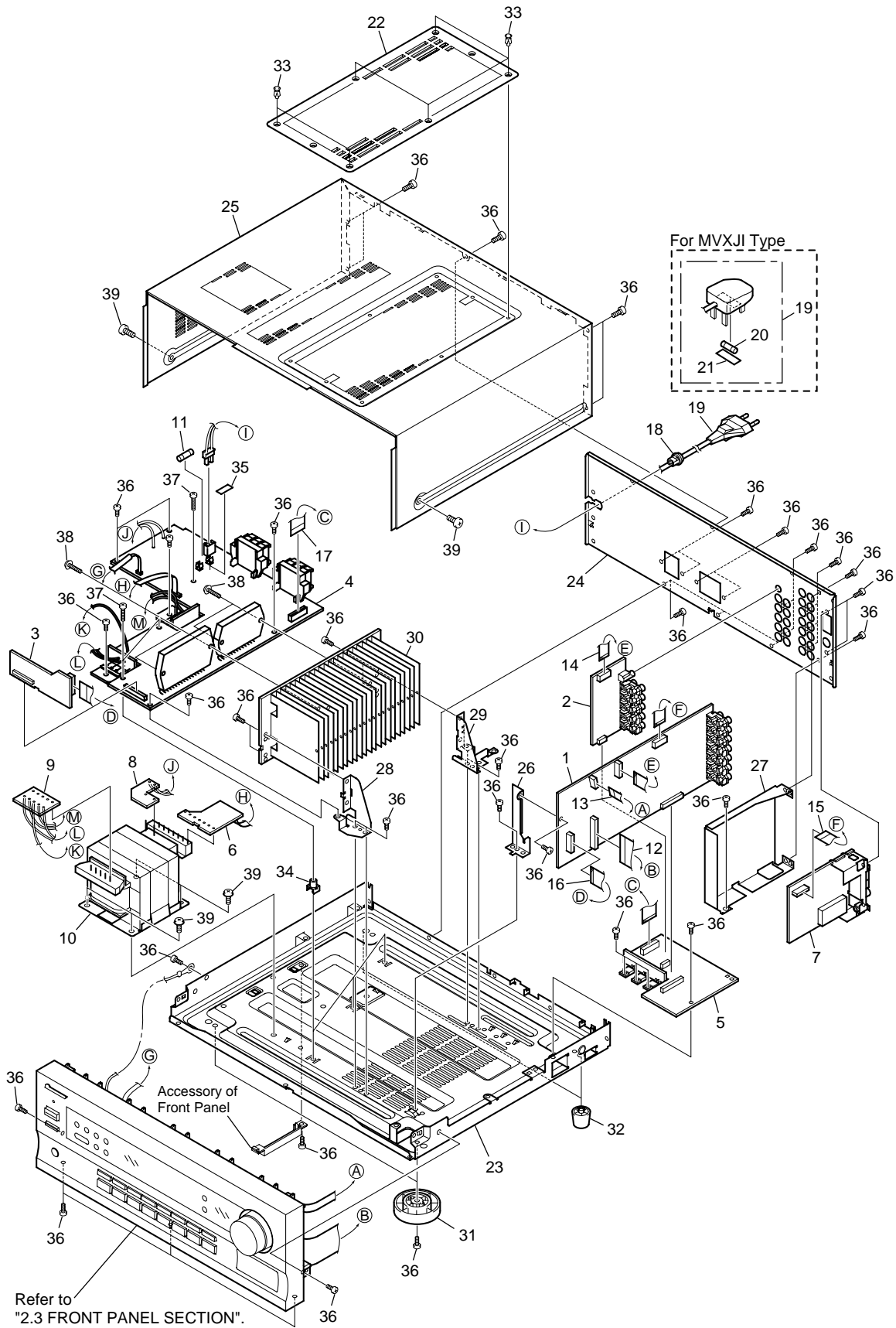
(2) CONTRAST TABLE

VSX-409RDS/MYXJIEW, MVXJI and MYXJIGR are constructed the same except for the following :

Mark	No.	Symbol and Description	Part No.			Remarks
			MYXJIEW Type	MVXJI Type	MYXJIGR Type	
	12	Operating Instructions (English)	ARB7200	ARB7200	Not used	
	13	Operating Instructions (German)	ARC7257	Not used	ARC7257	
	14	Operating Instructions (Dutch/French/Swedish)	ARC7258	Not used	Not used	
	15	Operating Instructions (Spanish/Portuguese/Italian)	ARC7259	Not used	Not used	

VSX-409RDS

2.2 EXTERIOR SECTION



(1) EXTERIOR SECTION PARTS LIST

Mark	No.	Description	Part No.	Mark	No.	Description	Part No.
NSP	1	MAIN Assy	AWX7381	NSP	21	Fuse Holder	See Contrast table (2)
	2	VIDEO&6CH IN Assy	AWX7383		22	Top Cover 808	AME7375
	3	AMP INPUT Assy	AWX7382		23	Under Base 409	ANA7094
	4	AMP&PRIMARY Assy	AWX7388		24	R Panel 409RDS	ANC7844
	5	REGULATOR Assy	AWX7389		25	Bonnet Case	AZN7779
NSP	6	TRANS 2 Assy	AWX7391	NSP	26	PCB Angle	ANG7253
	7	FM/AM TUNER Unit	AXX7048		27	Shield R3	ANG7277
NSP	8	TRANS 1 Assy	AWX7390	NSP	28	Heat Sink Angle F	ANG7251
NSP	9	TRANS 3 Assy	AWX7392		29	Heat Sink Angle R	ANG7252
△	10	Power Transformer (AC220-230V)	ATS7259	NSP	30	Heat Sink 0.8	ANH7110
△	11	Fuse (FU1 : T2.5A/250V)	REK1026		31	Insulator	PNW2766
	12	FFC (J31 : 30P/190 BD 60V) (MAIN CN102 ↔ FRONT CN402)	ADD7186	32	Foot Assy	REC1263	
△	13	FFC (J32 : 8P/170 BD 60V) (MAIN CN103 ↔ FRONT CN401)	ADD7187	NSP	33	Push Rivet	AEC7025
	14	FFC (J33 : 12P/200 BD 60V) (MAIN CN104 ↔ VIDEO&6CH IN CN305)	ADD7188		34	PCB Mold	AMR2533
△	15	FFC (J34 : 13P/80 BD 60V) (MAIN CN105 ↔ FM/AM TUNER CN1)	ADD7189	NSP	35	Fuse Card	AAX7277
	16	FFC (J35 : 17P/110 BD 60V) (MAIN CN106 ↔ AMP INPUT CN290)	ADD7190		36	Screw	BBZ30P080FMC
△	17	FFC (J36 : 18P/80 BD 60V) (REGULATOR CN801 ↔ AMP&PRIMARY CN53)	ADD7191	37	Screw	BBZ30P200FMC	
	18	Strain Relief	CM-22B	38	Screw	ABA7043	
△	19	AC Power Cord	See Contrast table (2)	39	Screw	FBT40P080FZK	
△	20	Fuse (T5A)	See Contrast table (2)				

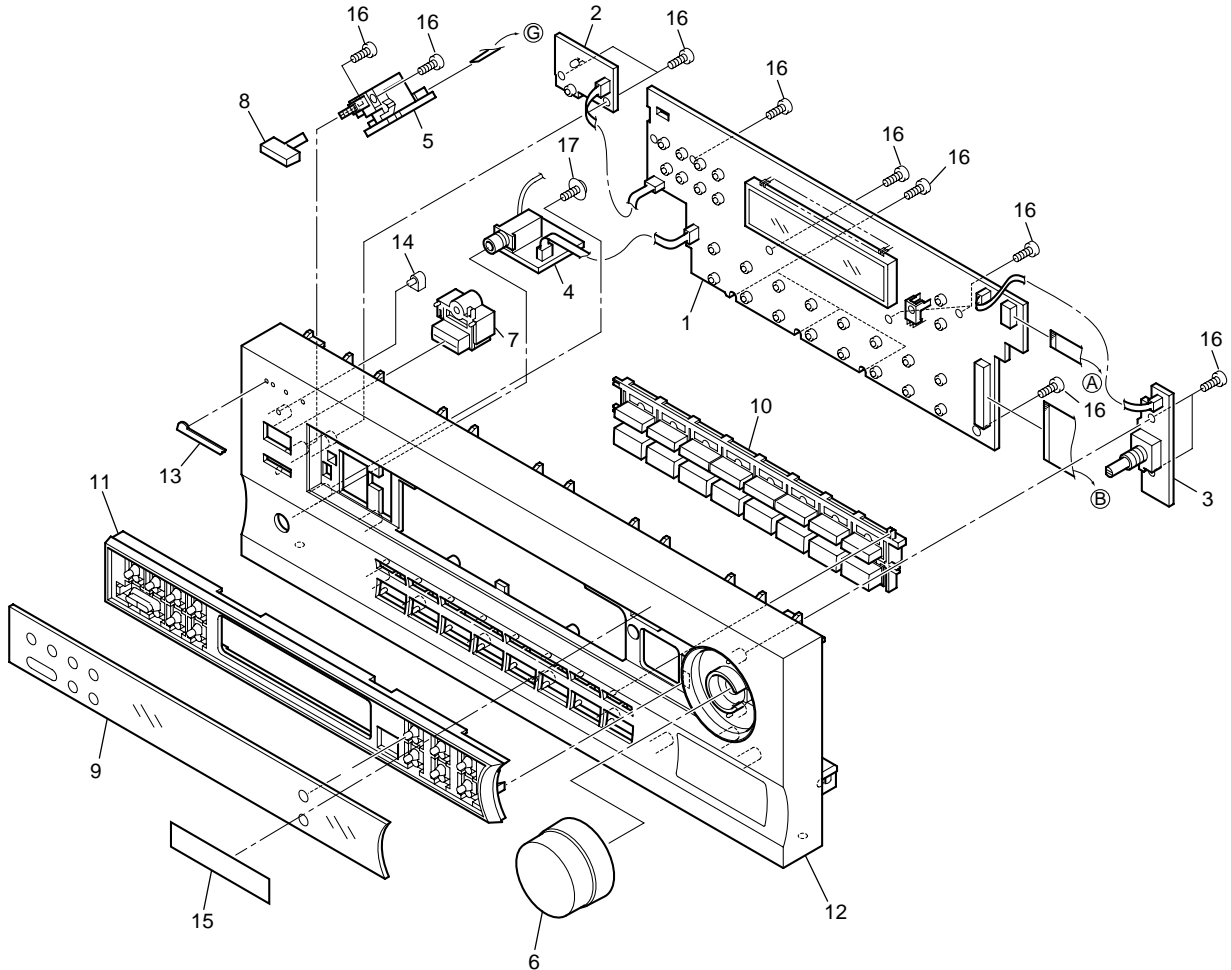
(2) CONTRAST TABLE

VSX-409RDS/MYXJIEW, MVXJI and MYXJIGR are constructed the same except for the following :

Mark	No.	Symbol and Description	Part No.			Remarks
			MYXJIEW Type	MVXJI Type	MYXJIGR Type	
△	19	AC Power Cord	VDG1061	VDG1063	VDG1061	
△	20	Fuse (T5A)	Not used	PEK1003	Not used	
	21	Fuse Holder	Not used	VKR1003	Not used	

VSX-409RDS

2.3 FRONT PANEL SECTION



● FRONT PANEL SECTION PARTS LIST

Mark	No.	Description	Part No.	Mark	No.	Description	Part No.
	1	FRONT Assy	AWX7384		11	Sub Panel 409RDS	AAD7552
	2	POWER SW Assy	AWX7385		12	F Panel 409RDS	AMB7644
NSP	3	R. ENCODER Assy	AWX7386		13	Name Plate	PAM1776
NSP	4	H.P. Assy	AWX7387		14	LED Lens	PNW2019
	5	MECHA SW Assy	AWX7443	NSP	15	Getter 409RDS	AAX7727
	6	Volume Knob	AAB7179		16	Screw	PPZ30P080FMC
	7	Power Button	AAD7440		17	Screw	ABA7009
	8	Power Button M	AAD7442				
	9	Window W 409RDS	AAK7683				
	10	F Button 409RDS	AAD7537				