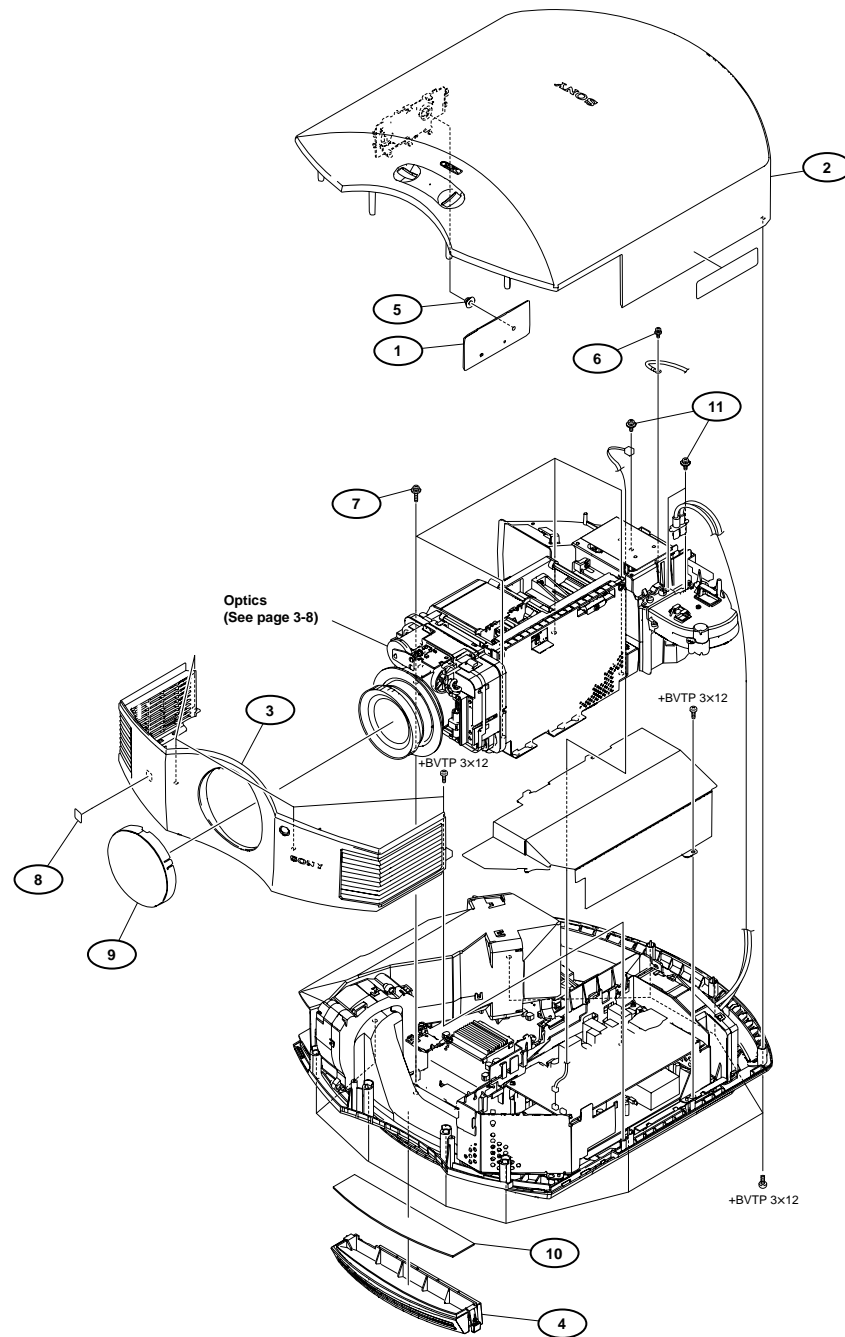


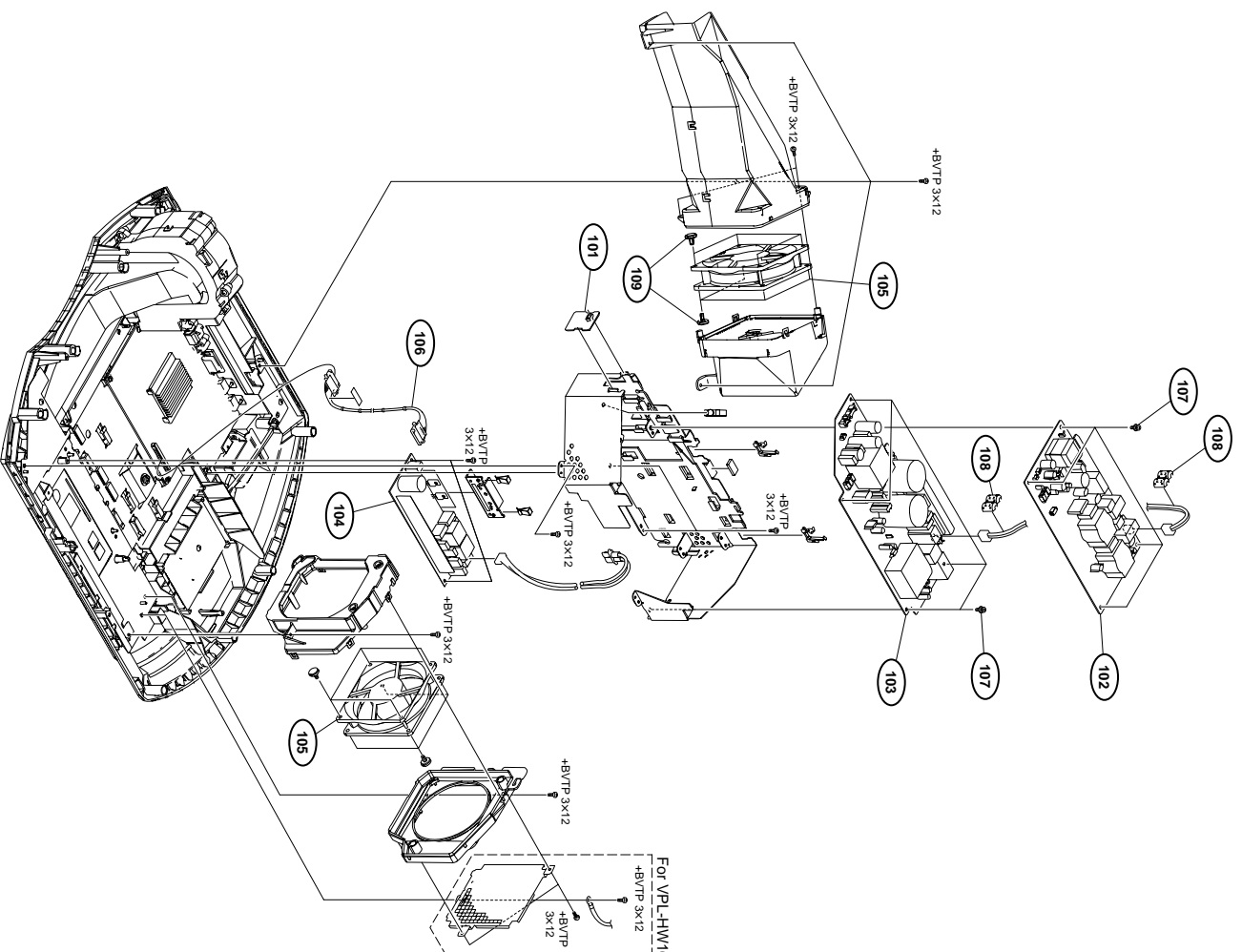
Cover

3-2. Exploded Views



No.	Part No.	SP Description
1	A-1512-871-A	s MOUNTED CIRCUIT BOARD, HA
2	Δ X-2318-159-5	s ASSY, TOP COVER
3	Δ X-2318-160-1	s ASSY, FRONT COVER
4	Δ X-2318-161-3	s ASSY, FILTER COVER
5	2-188-288-11	s BUTTON (P) (For VPL-HM10)
	2-188-288-21	s BUTTON (P) (For VPL-HM15)
6	2-580-593-01	s SCREW, +PSW M3X8
7	2-580-603-01	s SCREW, +PSW M4X16
8	3-289-170-01	s HD STICKER (For SY, UC, J)
9	3-875-740-01	s CAP, LENS
10	3-875-777-01	s FILTER
11	4-029-432-12	s SCREW (3X12), (+) BWHHTP
	7-685-648-79	s SCREW +BVTP 3X12 TPE2 IT-3

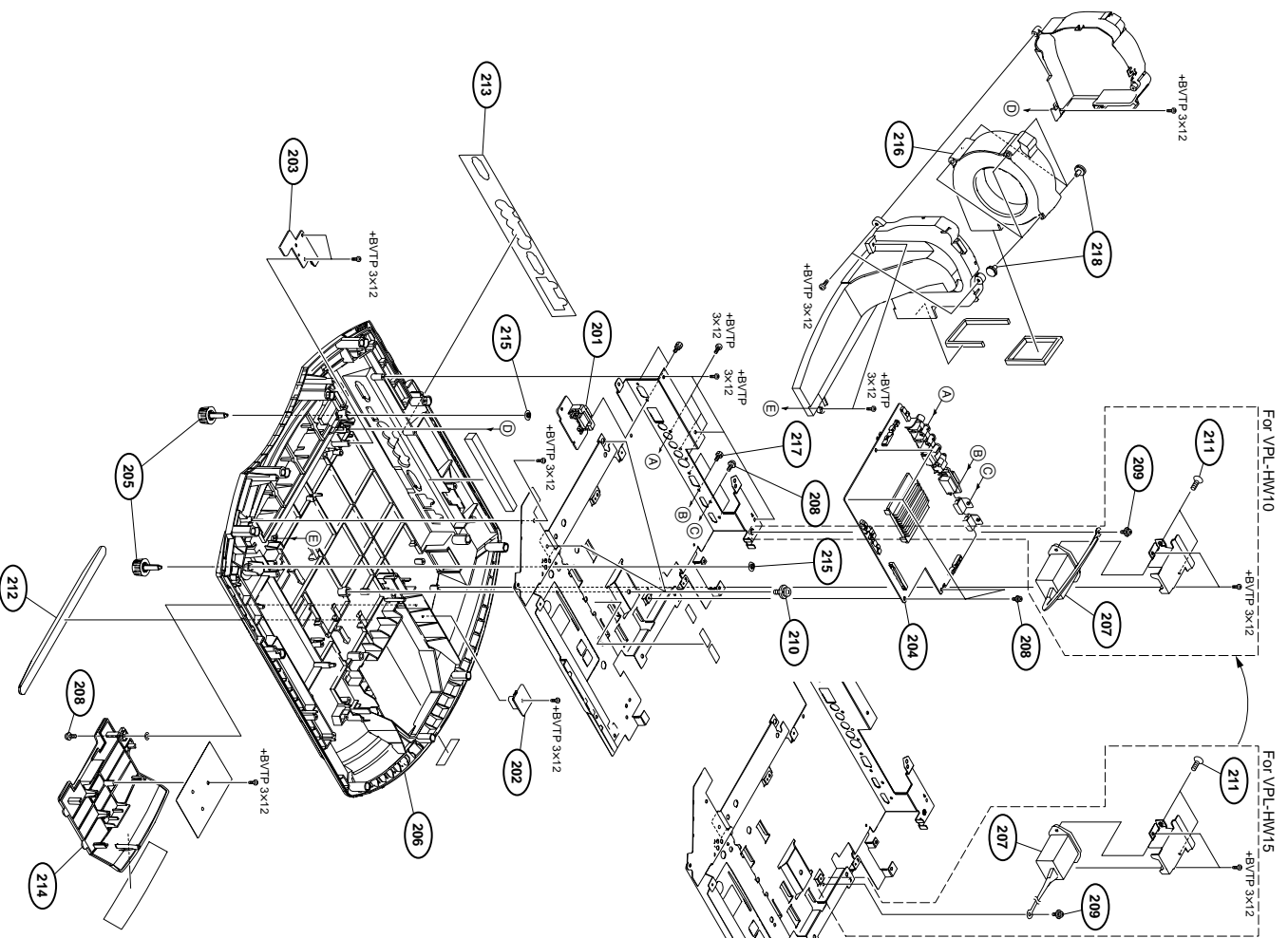
GA Board and GB Board



GA Board and

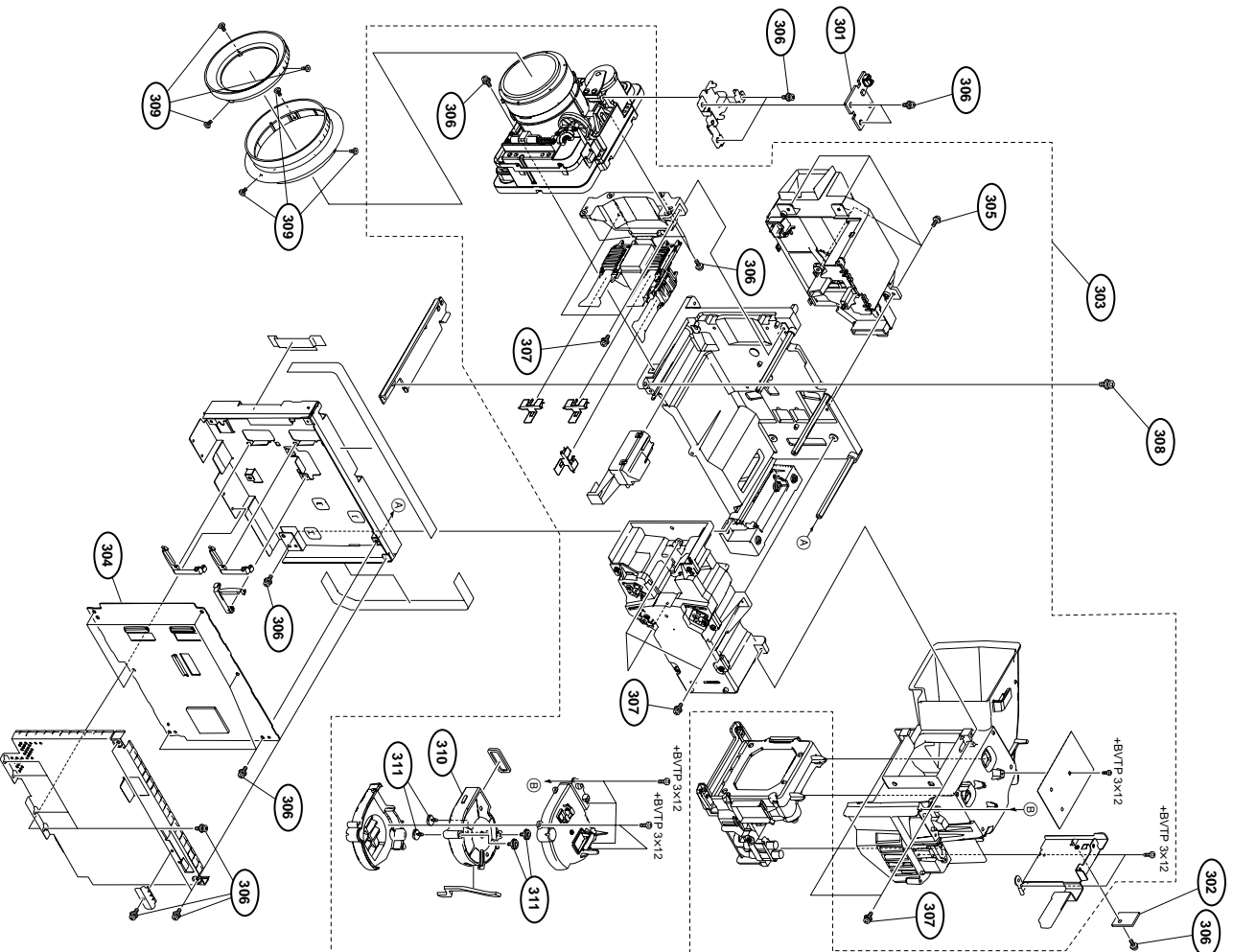
No.	Part No.	SP Description
101	A-1512-873-A	s MOUNTED CIRCUIT BOARD, NF
102	A-1563-845-A	s MOUNTED CIRCUIT BOARD, GA
103	A-1563-845-B	s MOUNTED CIRCUIT BOARD, GB
104	Δ 1-480-898-12	s LAMP POWER SUPPLY BLOCK
105	Δ 1-787-634-11	s D.C. FAN
106	1-835-817-12	s LEAD WIRE WITH CONNECTOR(LYDS)
107	2-580-593-01	s SCREW, +PSW M3X8
108	1-500-459-11	s FILTER, CLAMP (FERRITE CORE)
109	2-059-414-21	s DAMPER, FAN
	7-685-648-79	s SCREW +BYTP 3X12 TYPE2 IT-3

Bottom Cover



No.	Part No.	SP Description
201	A-1512-876-A	s MOUNTED CIRCUIT BOARD, QB
202	A-1512-879-A	s MOUNTED CIRCUIT BOARD, U
203	A-1512-880-A	s MOUNTED CIRCUIT BOARD, V
204	⊕ A-1563-847-A	s MOUNTED CIRCUIT BOARD, QA (For VPL-HM10(SY, UC, CN))
	⊕ A-1563-848-A	s MOUNTED CIRCUIT BOARD, QA (For VPL-HM10(U))
	⊕ A-1739-749-A	s MOUNTED CIRCUIT BOARD, QA (For VPL-HM15(SY, UC))
	⊕ A-1739-750-A	s MOUNTED CIRCUIT BOARD, QA (For VPL-HM15(U))
205	X-2149-020-1	s ADJUSTOR ASSY
206	Δ X-2318-158-2	s ASSY, BOTTOM COVER
207	Δ 1-821-584-11	s INLET, AG (WITH NOISE FILTER)
208	2-580-593-01	s SCREEN, +PSW M3X8
209	2-580-603-01	s SCREEN, +PSW M4X16
210	2-580-606-01	s SCREEN, +PSW M5X8
211	2-580-614-01	s SCREEN, +K M3X8
212	2-695-514-01	s FOOT, REAR
213	3-875-738-02	s SHEET, CONNECTOR
214	Δ 3-875-739-01	s COVER, LAMP
215	4-303-605-01	s NUT
216	Δ 8-835-883-02	s MOTOR, DC SFF22D/C-NP
217	2-580-626-01	s SCREEN, SP 4-40 UNC
218	2-059-414-21	s DAMPER, FAN
	7-685-648-79	s SCREEN +BVTYP 3X12 TYPE2 IT-3

Optics



No.	Part No.	SP Description
301	A-1512-872-A	s MOUNTED CIRCUIT BOARD, HB
302	A-1512-878-A	s MOUNTED CIRCUIT BOARD, TL
303	A-1549-541-A	s OPTICAL UNIT ASSY, TRS (For VPL-HW10)
	A-1739-769-A	s OPTICAL UNIT ASSY (For VPL-HW15)
304	A-1563-844-A	s MOUNTED CIRCUIT BOARD, C (For VPL-HW10)
	A-1733-474-A	s MOUNTED CIRCUIT BOARD, C (For VPL-HW15)
305	2-580-592-01	s SCREW, +PSW M3X8
306	2-580-593-01	s SCREW, +PSW M3X8
307	2-580-594-01	s SCREW, +PSW M3X12
308	2-580-603-01	s SCREW, +PSW M4X16
309	2-666-551-11	s SCREW, TAPPING,P2
310	Δ 1-787-065-12	s DC FAN (Sirocco)
311	2-059-414-21	s DAMPER, PAN

7-685-648-79 s SCREW +BYTP 3X12 TYPE2 IT-3

3-3. Electrical Parts List

C BOARD

(C BOARD)

*1: [VPL-HM10]
*2: [VPL-HM15]

Ref. No. or Q'ty	Part No.	SP Description	Ref. No. or Q'ty	Part No.	SP Description
Ipc	*1 R-1563-844-A	s MOUNTED CIRCUIT BOARD, C	C305	1-100-905-11 s CAP	CERAMIC1000PF XTR 1005
Ipc	*2 R-1733-474-A	s MOUNTED CIRCUIT BOARD, C	C306	1-100-905-11 s CAP	CERAMIC1000PF XTR 1005
3pcs	1-780-050-21 s	CONTACT, ON BOARD	C307	1-112-068-11 s CAP	CERAMIC 220PF XTR 1005
C100	1-100-916-11 s CAP	CERAMIC 0.1MF XTR 1005	C308	1-100-905-11 s CAP	CERAMIC1000PF XTR 1005
C101	1-137-942-21 s CAP	ELECT 47NF (6.3X5.4)	C309	1-100-905-11 s CAP	CERAMIC1000PF XTR 1005
C102	1-137-942-21 s CAP	ELECT 47NF (6.3X5.4)	C310	1-114-325-11 s CAP	CERAMIC 0.1MF XTR 1608
C103	1-112-779-11 s CAP	CERAMIC 0.047MF XTR 1005	C311	1-114-325-11 s CAP	CERAMIC 0.1MF XTR 1608
C106	1-100-909-11 s CAP	CERAMIC 10MF X65 2012	C312	1-112-781-11 s CAP	CERAMIC 1MF XTR 1608
C107	1-100-909-11 s CAP	CERAMIC 10MF X65 2012	C313	1-112-777-11 s CAP	CERAMIC 0.01MF XTR 1005
C108	1-100-916-11 s CAP	CERAMIC 0.1MF XTR 1005	C314	1-112-777-11 s CAP	CERAMIC 0.01MF XTR 1005
C109	1-100-916-11 s CAP	CERAMIC 0.1MF XTR 1005	C315	1-112-777-11 s CAP	CERAMIC 0.01MF XTR 1005
C110	1-100-916-11 s CAP	CERAMIC 0.1MF XTR 1005	C316	1-112-777-11 s CAP	CERAMIC 0.01MF XTR 1005
C111	1-100-916-11 s CAP	CERAMIC 0.1MF XTR 1005	C317	1-112-777-11 s CAP	CERAMIC 0.01MF XTR 1005
C112	1-100-905-11 s CAP	CERAMIC1000PF XTR 1005	C318	1-112-777-11 s CAP	CERAMIC 0.01MF XTR 1005
C113	1-100-905-11 s CAP	CERAMIC1000PF XTR 1005	C319	1-112-777-11 s CAP	CERAMIC 0.01MF XTR 1005
C114	1-100-905-11 s CAP	CERAMIC1000PF XTR 1005	C320	1-112-777-11 s CAP	CERAMIC 0.01MF XTR 1005
C115	1-100-905-11 s CAP	CERAMIC1000PF XTR 1005	C321	1-112-777-11 s CAP	CERAMIC 0.01MF XTR 1005
C116	1-100-916-11 s CAP	CERAMIC 0.1MF XTR 1005	C322	1-112-777-11 s CAP	CERAMIC 0.01MF XTR 1005
C117	1-100-916-11 s CAP	CERAMIC 0.1MF XTR 1005	C323	1-112-777-11 s CAP	CERAMIC 0.01MF XTR 1005
C118	1-100-916-11 s CAP	CERAMIC 0.1MF XTR 1005	C324	1-112-777-11 s CAP	CERAMIC 0.01MF XTR 1005
C119	1-100-916-11 s CAP	CERAMIC 0.1MF XTR 1005	C325	1-112-777-11 s CAP	CERAMIC 0.01MF XTR 1005
C120	1-100-905-11 s CAP	CERAMIC1000PF XTR 1005	C326	1-112-777-11 s CAP	CERAMIC 0.01MF XTR 1005
C121	1-100-905-11 s CAP	CERAMIC1000PF XTR 1005	C327	1-112-777-11 s CAP	CERAMIC 0.01MF XTR 1005
C122	1-100-905-11 s CAP	CERAMIC1000PF XTR 1005	C328	1-112-777-11 s CAP	CERAMIC 0.01MF XTR 1005
C123	1-100-905-11 s CAP	CERAMIC1000PF XTR 1005	C329	1-100-916-11 s CAP	CERAMIC 0.1MF XTR 1005
C124	1-100-905-11 s CAP	CERAMIC1000PF XTR 1005	C330	1-114-334-11 s CAP	CERAMIC 10MF XTR 3225
C125	1-100-905-11 s CAP	CERAMIC1000PF XTR 1005	C331	1-164-874-81 s CAP	CHIP CERAMIC 100PF CH 1005
C126	1-100-905-11 s CAP	CERAMIC1000PF XTR 1005	C332	1-100-905-11 s CAP	CERAMIC1000PF XTR 1005
C127	1-100-905-11 s CAP	CERAMIC1000PF XTR 1005	C333	1-100-916-11 s CAP	CERAMIC 0.1MF XTR 1005
C128	1-100-916-11 s CAP	CERAMIC 0.1MF XTR 1005	C334	1-100-909-11 s CAP	CERAMIC 10MF X65 2012
C129	1-100-916-11 s CAP	CERAMIC 0.1MF XTR 1005	C335	1-100-909-11 s CAP	CERAMIC 10MF X65 2012
C130	1-100-916-11 s CAP	CERAMIC 0.1MF XTR 1005	C336	1-100-909-11 s CAP	CERAMIC 10MF X65 2012
C131	1-100-916-11 s CAP	CERAMIC 0.1MF XTR 1005	C337	1-100-921-21 s CAP	ELECT 220MF (6.3X5.9)
C132	1-100-905-11 s CAP	CERAMIC1000PF XTR 1005	C338	1-100-909-11 s CAP	CERAMIC 10MF X65 2012
C133	1-100-905-11 s CAP	CERAMIC1000PF XTR 1005	C339	1-100-909-11 s CAP	CERAMIC 10MF X65 2012
C134	1-100-905-11 s CAP	CERAMIC1000PF XTR 1005	C340	1-100-909-11 s CAP	CERAMIC 10MF X65 2012
C135	1-100-905-11 s CAP	CERAMIC1000PF XTR 1005	C341	1-100-909-11 s CAP	CERAMIC 10MF X65 2012
C136	1-100-916-11 s CAP	CERAMIC 0.1MF XTR 1005	C342	1-100-909-11 s CAP	CERAMIC 10MF X65 2012
C137	1-100-916-11 s CAP	CERAMIC 0.1MF XTR 1005	C343	1-100-909-11 s CAP	CERAMIC 10MF X65 2012
C138	1-100-916-11 s CAP	CERAMIC 0.1MF XTR 1005	C344	1-112-781-11 s CAP	CERAMIC 1MF XTR 1608
C139	1-100-916-11 s CAP	CERAMIC 0.1MF XTR 1005	C345	1-112-781-11 s CAP	CERAMIC 1MF XTR 1608
C140	1-100-909-11 s CAP	CERAMIC 10MF X65 2012	C346	1-112-781-11 s CAP	CERAMIC 1MF XTR 1608
C141	1-100-909-11 s CAP	CERAMIC 10MF X65 2012	C347	1-112-781-11 s CAP	CERAMIC 1MF XTR 1608
C200	1-164-848-81 s CAP	CHIP CERAMIC 8PF CH 1005	C348	1-100-916-11 s CAP	CERAMIC 0.1MF XTR 1005
C201	1-164-848-81 s CAP	CHIP CERAMIC 8PF CH 1005	C349	1-100-916-11 s CAP	CERAMIC 0.1MF XTR 1005
C202	1-112-780-11 s CAP	CERAMIC 0.47MF XTR 1608	C350	1-100-916-11 s CAP	CERAMIC 0.1MF XTR 1005
C203	1-100-916-11 s CAP	CERAMIC 0.1MF XTR 1005	C351	1-100-916-11 s CAP	CERAMIC 0.1MF XTR 1005
C204	1-100-916-11 s CAP	CERAMIC 0.1MF XTR 1005	C352	1-100-916-11 s CAP	CERAMIC 0.1MF XTR 1005
C205	1-114-331-11 s CAP	CERAMIC 4.7MF XTR 2012	C353	1-100-916-11 s CAP	CERAMIC 0.1MF XTR 1005
C206	1-100-916-11 s CAP	CERAMIC 0.1MF XTR 1005	C354	1-100-916-11 s CAP	CERAMIC 0.1MF XTR 1005
C300	1-112-779-11 s CAP	CERAMIC 0.1047MF XTR 1005	C355	1-100-916-11 s CAP	CERAMIC 0.1MF XTR 1005
C301	1-164-874-81 s CAP	CHIP CERAMIC 100PF CH 1005	C356	1-100-916-11 s CAP	CERAMIC 0.1MF XTR 1005
C302	1-164-874-81 s CAP	CHIP CERAMIC 100PF CH 1005	C357	1-100-916-11 s CAP	CERAMIC 0.1MF XTR 1005
C303	1-112-779-11 s CAP	CERAMIC 0.047MF XTR 1005	C358	1-100-916-11 s CAP	CERAMIC 0.1MF XTR 1005
C304	1-112-068-11 s CAP	CERAMIC 220PF XTR 1005	C359	1-100-916-11 s CAP	CERAMIC 0.1MF XTR 1005
			C360	1-112-777-11 s CAP	CERAMIC 0.01MF XTR 1005
			C361	1-112-777-11 s CAP	CERAMIC 0.01MF XTR 1005
			C362	1-112-777-11 s CAP	CERAMIC 0.01MF XTR 1005
			C363	1-112-781-11 s CAP	CERAMIC 1MF XTR 1608

Ref. No. or Q'ty	Part No.	SP Description
C482	1-100-909-11 s CAP, CERAMIC 10MF X6S 2012	
C483	1-112-777-11 s CAP, CERAMIC 0.01MF X7R 1005	
C484	1-112-777-11 s CAP, CERAMIC 0.01MF X7R 1005	
C485	1-112-777-11 s CAP, CERAMIC 0.01MF X7R 1005	
C486	1-112-777-11 s CAP, CERAMIC 0.01MF X7R 1005	
C487	1-112-777-11 s CAP, CERAMIC 0.01MF X7R 1005	
C488	1-112-777-11 s CAP, CERAMIC 0.01MF X7R 1005	
C489	1-112-777-11 s CAP, CERAMIC 0.01MF X7R 1005	
C490	1-112-777-11 s CAP, CERAMIC 0.01MF X7R 1005	
C491	1-112-777-11 s CAP, CERAMIC 0.01MF X7R 1005	
C492	1-112-777-11 s CAP, CERAMIC 0.01MF X7R 1005	
C493	1-112-777-11 s CAP, CERAMIC 0.01MF X7R 1005	
C494	1-112-777-11 s CAP, CERAMIC 0.01MF X7R 1005	
C495	1-112-777-11 s CAP, CERAMIC 0.01MF X7R 1005	
C496	1-112-777-11 s CAP, CERAMIC 0.01MF X7R 1005	
C497	1-112-777-11 s CAP, CERAMIC 0.01MF X7R 1005	
C498	1-112-777-11 s CAP, CERAMIC 0.01MF X7R 1005	
C499	1-112-777-11 s CAP, CERAMIC 0.01MF X7R 1005	
C500	1-100-909-11 s CAP, CERAMIC 10MF X6S 2012	
C501	1-100-916-11 s CAP, CERAMIC 0.1MF X7R 1005	
C502	1-100-909-11 s CAP, CERAMIC 10MF X6S 2012	
C503	1-100-916-11 s CAP, CERAMIC 0.1MF X7R 1005	
C504	1-100-916-11 s CAP, CERAMIC 0.1MF X7R 1005	
C505	1-100-916-11 s CAP, CERAMIC 0.1MF X7R 1005	
C506	1-100-916-11 s CAP, CERAMIC 0.1MF X7R 1005	
C507	1-100-916-11 s CAP, CERAMIC 0.1MF X7R 1005	
C510	1-112-780-11 s CAP, CERAMIC 4.7MF X7R (3216)	
C511	1-112-774-11 s CAP, CERAMIC 470PF X7R 1005	
C512	1-114-325-11 s CAP, CERAMIC 0.1MF X7R 1608	
C513	1-112-780-11 s CAP, CERAMIC 0.47MF X7R 1608	
C514	1-112-774-11 s CAP, CERAMIC 470PF X7R 1005	
C515	1-114-325-11 s CAP, CERAMIC 0.1MF X7R 1608	
C516	1-100-911-11 s CAP, CERAMIC 4.7MF X7R (3216)	
C517	1-114-325-11 s CAP, CERAMIC 0.1MF X7R 1608	
C518	1-100-911-11 s CAP, CERAMIC 4.7MF X7R (3216)	
C519	1-100-911-11 s CAP, CERAMIC 4.7MF X7R (3216)	
C520	1-100-911-11 s CAP, CERAMIC 4.7MF X7R (3216)	
C521	1-114-325-11 s CAP, CERAMIC 0.1MF X7R 1608	
C522	1-114-325-11 s CAP, CERAMIC 0.1MF X7R 1608	
C523	1-137-942-21 s CAP, ELECT 47MF (6.3X5.4)	
C524	1-114-325-11 s CAP, CERAMIC 0.1MF X7R 1608	
C525	1-114-325-11 s CAP, CERAMIC 0.1MF X7R 1608	
C526	1-114-325-11 s CAP, CERAMIC 0.1MF X7R 1608	
C527	1-114-325-11 s CAP, CERAMIC 0.1MF X7R 1608	
C528	1-114-325-11 s CAP, CERAMIC 0.1MF X7R 1608	
C529	1-137-942-21 s CAP, ELECT 47MF (6.3X5.4)	
C530	1-114-325-11 s CAP, CERAMIC 0.1MF X7R 1608	
C531	1-114-325-11 s CAP, CERAMIC 0.1MF X7R 1608	
C532	1-114-325-11 s CAP, CERAMIC 0.1MF X7R 1608	
C533	1-114-325-11 s CAP, CERAMIC 0.1MF X7R 1608	
C534	1-114-325-11 s CAP, CERAMIC 0.1MF X7R 1608	
C535	1-100-916-11 s CAP, CERAMIC 0.1MF X7R 1005	
C536	1-100-912-11 s CAP, CERAMIC 1.0MF X7R (2012)	
C537	1-100-916-11 s CAP, CERAMIC 0.1MF X7R 1005	
C538	1-114-334-11 s CAP, CERAMIC 10MF X7R 3225	
C539	1-100-909-11 s CAP, CERAMIC 10MF X6S 2012	
C540	1-100-916-11 s CAP, CERAMIC 0.1MF X7R 1005	
C541	1-114-325-11 s CAP, CERAMIC 0.1MF X7R 1608	
C542	1-100-909-11 s CAP, CERAMIC 10MF X6S 2012	

(C BOARD)

Ref. No. or Q'ty	Part No.	SP Description
C543	1-100-765-21 s CAP, ELECT 10MF (4X5.4)	
C544	1-114-325-11 s CAP, CERAMIC 0.1MF X7R 1608	
C545	1-100-765-21 s CAP, ELECT 10MF (4X5.4)	
C546	1-114-325-11 s CAP, CERAMIC 0.1MF X7R 1608	
C547	1-100-916-11 s CAP, CERAMIC 0.1MF X7R 1005	
C548	1-114-399-21 s CAP, ELECT 47MF	
C600	1-100-916-11 s CAP, CERAMIC 0.1MF X7R 1005	
C601	1-112-777-11 s CAP, CERAMIC 0.01MF X7R 1005	
C602	1-100-909-11 s CAP, CERAMIC 10MF X6S 2012	
C603	1-100-916-11 s CAP, CERAMIC 0.1MF X7R 1005	
C604	1-100-909-11 s CAP, CERAMIC 10MF X6S 2012	
C605	1-100-916-11 s CAP, CERAMIC 0.1MF X7R 1005	
C606	1-100-916-11 s CAP, CERAMIC 0.1MF X7R 1005	
C607	1-100-916-11 s CAP, CERAMIC 0.1MF X7R 1005	
C608	1-100-916-11 s CAP, CERAMIC 0.1MF X7R 1005	
C609	1-100-916-11 s CAP, CERAMIC 0.1MF X7R 1005	
C612	1-112-780-11 s CAP, CERAMIC 0.47MF X7R 1608	
C613	1-112-774-11 s CAP, CERAMIC 470PF X7R 1005	
C614	1-114-325-11 s CAP, CERAMIC 0.1MF X7R 1608	
C615	1-112-780-11 s CAP, CERAMIC 0.47MF X7R 1608	
C616	1-112-774-11 s CAP, CERAMIC 470PF X7R 1005	
C617	1-114-325-11 s CAP, CERAMIC 0.1MF X7R 1608	
C618	1-100-911-11 s CAP, CERAMIC 0.1MF X7R (3216)	
C619	1-114-325-11 s CAP, CERAMIC 0.1MF X7R 1608	
C620	1-100-911-11 s CAP, CERAMIC 4.7MF X7R (3216)	
C621	1-100-911-11 s CAP, CERAMIC 4.7MF X7R (3216)	
C622	1-100-911-11 s CAP, CERAMIC 4.7MF X7R (3216)	
C623	1-114-325-11 s CAP, CERAMIC 0.1MF X7R 1608	
C624	1-137-942-21 s CAP, ELECT 47MF (6.3X5.4)	
C625	1-114-325-11 s CAP, CERAMIC 0.1MF X7R 1608	
C626	1-114-325-11 s CAP, CERAMIC 0.1MF X7R 1608	
C627	1-114-325-11 s CAP, CERAMIC 0.1MF X7R 1608	
C628	1-114-325-11 s CAP, CERAMIC 0.1MF X7R 1608	
C629	1-114-325-11 s CAP, CERAMIC 0.1MF X7R 1608	
C630	1-114-325-11 s CAP, CERAMIC 0.1MF X7R 1608	
C631	1-137-942-21 s CAP, ELECT 47MF (6.3X5.4)	
C632	1-114-325-11 s CAP, CERAMIC 0.1MF X7R 1608	
C633	1-114-325-11 s CAP, CERAMIC 0.1MF X7R 1608	
C634	1-114-325-11 s CAP, CERAMIC 0.1MF X7R 1608	
C635	1-114-325-11 s CAP, CERAMIC 0.1MF X7R 1608	
C636	1-114-325-11 s CAP, CERAMIC 0.1MF X7R 1608	
C637	1-112-777-11 s CAP, CERAMIC 0.01MF X7R 1005	
C638	1-100-909-11 s CAP, CERAMIC 1.0MF X7R (2012)	
C639	1-100-765-21 s CAP, ELECT 10MF (4X5.4)	
C640	1-114-334-11 s CAP, CERAMIC 10MF X7R 3225	
C641	1-100-916-11 s CAP, CERAMIC 0.1MF X7R 1005	
C642	1-114-325-11 s CAP, CERAMIC 0.1MF X7R 1608	
C643	1-100-909-11 s CAP, CERAMIC 10MF X6S 2012	
C644	1-100-765-21 s CAP, ELECT 10MF (4X5.4)	
C645	1-114-325-11 s CAP, CERAMIC 0.1MF X7R 1608	
C646	1-100-765-21 s CAP, ELECT 10MF (4X5.4)	
C647	1-114-325-11 s CAP, CERAMIC 0.1MF X7R 1608	
C648	1-100-916-11 s CAP, CERAMIC 0.1MF X7R 1005	
C649	1-114-399-21 s CAP, ELECT 47MF	
C700	1-100-909-11 s CAP, CERAMIC 10MF X6S 2012	
C701	1-100-916-11 s CAP, CERAMIC 0.1MF X7R 1005	
C702	1-100-909-11 s CAP, CERAMIC 10MF X6S 2012	
C703	1-100-916-11 s CAP, CERAMIC 0.1MF X7R 1005	
C704	1-100-916-11 s CAP, CERAMIC 0.1MF X7R 1005	

(C BOARD)

Ref. No. or Q'ty	Part No.	SP Description
C705	1-100-916-11 s CAP	CERAMIC 0.1MF XTR 1005
C706	1-100-916-11 s CAP	CERAMIC 0.1MF XTR 1005
C707	1-100-916-11 s CAP	CERAMIC 0.1MF XTR 1005
C710	1-112-780-11 s CAP	CERAMIC 0.47MF XTR 1608
C711	1-112-774-11 s CAP	CERAMIC 470PF XTR 1005
C712	1-114-325-11 s CAP	CERAMIC 0.1MF XTR 1608
C713	1-112-780-11 s CAP	CERAMIC 0.47MF XTR 1608
C714	1-112-774-11 s CAP	CERAMIC 470PF XTR 1005
C715	1-114-325-11 s CAP	CERAMIC 0.1MF XTR 1608
C716	1-100-911-11 s CAP	CERAMIC 4.7MF XTR (3216)
C722	1-114-325-11 s CAP	CERAMIC 0.1MF XTR 1608
C723	1-137-942-21 s CAP	ELECT 47MF (6.3X5.4)
C724	1-114-325-11 s CAP	CERAMIC 0.1MF XTR 1608
C725	1-114-325-11 s CAP	CERAMIC 0.1MF XTR 1608
C726	1-114-325-11 s CAP	CERAMIC 0.1MF XTR 1608
C727	1-114-325-11 s CAP	CERAMIC 0.1MF XTR 1608
C728	1-114-325-11 s CAP	CERAMIC 0.1MF XTR 1608
C729	1-137-942-21 s CAP	ELECT 47MF (6.3X5.4)
C730	1-114-325-11 s CAP	CERAMIC 0.1MF XTR 1608
C731	1-114-325-11 s CAP	CERAMIC 0.1MF XTR 1608
C732	1-114-325-11 s CAP	CERAMIC 0.1MF XTR 1608
C733	1-114-325-11 s CAP	CERAMIC 0.1MF XTR 1608
C734	1-114-325-11 s CAP	CERAMIC 0.1MF XTR 1608
C735	1-100-912-11 s CAP	CERAMIC 1.0MF XTR (2012)
C736	1-114-334-11 s CAP	CERAMIC 1.0MF XTR 3225
C742	1-100-765-21 s CAP	ELECT 10MF (4X5.4)
C743	1-114-325-11 s CAP	CERAMIC 0.1MF XTR 1608
C744	1-100-916-11 s CAP	CERAMIC 0.1MF XTR 1005
C745	1-114-399-21 s CAP	ELECT 47MF
C800	1-100-909-11 s CAP	CERAMIC 1.0MF X6S 2012
C801	1-100-909-11 s CAP	CERAMIC 1.0MF X6S 2012
C802	1-100-909-11 s CAP	CERAMIC 1.0MF X6S 2012
C803	1-100-909-11 s CAP	CERAMIC 1.0MF X6S 2012
C804	1-100-909-11 s CAP	CERAMIC 1.0MF X6S 2012
C900	1-112-777-11 s CAP	CERAMIC 0.01MF XTR 1005
C901	1-112-777-11 s CAP	CERAMIC 0.01MF XTR 1005
C902	1-112-777-11 s CAP	CERAMIC 0.01MF XTR 1005
C903	1-112-777-11 s CAP	CERAMIC 0.01MF XTR 1005
C904	1-112-777-11 s CAP	CERAMIC 0.01MF XTR 1005
C905	1-100-421-21 s CAP	ELECT 220MF (6.3X5.9)
C906	1-112-777-11 s CAP	CERAMIC 0.01MF XTR 1005
C907	1-112-777-11 s CAP	CERAMIC 0.01MF XTR 1005
C908	1-112-777-11 s CAP	CERAMIC 0.01MF XTR 1005
C909	1-112-777-11 s CAP	CERAMIC 0.01MF XTR 1005
C910	1-112-777-11 s CAP	CERAMIC 0.01MF XTR 1005
C911	1-112-777-11 s CAP	CERAMIC 0.01MF XTR 1005
C912	1-112-777-11 s CAP	CERAMIC 0.01MF XTR 1005
C913	1-112-777-11 s CAP	CERAMIC 0.01MF XTR 1005
C914	1-112-777-11 s CAP	CERAMIC 0.01MF XTR 1005

(C BOARD)

Ref. No. or Q'ty	Part No.	SP Description
C915	1-100-916-11 s CAP	CERAMIC 0.1MF XTR 1005
CN100	1-821-388-11 o CONNECTOR (RECEPTACLE,TPD) 9	
CN101	1-819-463-11 s HEADER ASSEMBLY FOR PMS 6P	
CN500	1-778-451-31 s CONNECTOR, FPC/FPC (ZIF) AN 4	
CN600	1-816-126-61 s CONNECTOR, FPC/FPC	
CN700	1-778-451-31 s CONNECTOR, FPC/FPC (ZIF) AN 4	
D300	*1 8-719-056-48 s DIODE 1SS388(TP13)	
D301	*2 6-502-150-01 s DI MA2SD320G850	
D301	*1 8-719-056-48 s DIODE 1SS388(TP13)	
D301	*2 6-502-150-01 s DI MA2SD320G850	
D501	6-501-817-01 s DIODE MA201110G5L0	
FB100	1-400-331-21 s FERRITE, EMI (SMD) (1005)	
FB101	1-400-331-21 s FERRITE, EMI (SMD) (1005)	
FB102	1-400-331-21 s FERRITE, EMI (SMD) (1005)	
FB104	1-400-331-21 s FERRITE, EMI (SMD) (1005)	
FB105	1-400-331-21 s FERRITE, EMI (SMD) (1005)	
FB200	1-400-331-21 s FERRITE, EMI (SMD) (1005)	
FB400	1-400-331-21 s FERRITE, EMI (SMD) (1005)	
FB401	1-400-331-21 s FERRITE, EMI (SMD) (1005)	
FB402	1-400-331-21 s FERRITE, EMI (SMD) (1005)	
FB403	1-400-331-21 s FERRITE, EMI (SMD) (1005)	
FB500	1-400-331-21 s FERRITE, EMI (SMD) (1005)	
FB501	1-400-331-21 s FERRITE, EMI (SMD) (1005)	
FB600	1-400-331-21 s FERRITE, EMI (SMD) (1005)	
FB601	1-400-331-21 s FERRITE, EMI (SMD) (1005)	
FB602	1-400-331-21 s FERRITE, EMI (SMD) (1005)	
FB700	1-400-331-21 s FERRITE, EMI (SMD) (1005)	
FB701	1-400-331-21 s FERRITE, EMI (SMD) (1005)	
IC100	6-703-225-01 s IC S-80928CMMC-88YTG	
IC101	6-711-359-01 s IC CXP9995GA	
IC200	6-710-121-01 s IC M24256-BMNM6P(A)	
IC300	6-707-356-01 s IC LTC3128LCUHR-R5	
IC301	6-708-886-01 o IC P0U35ZMHZPH	
IC400	*1 6-710-708-01 s IC EM6A9320B1-5NGM	
IC401	*2 6-714-462-01 s IC EM6A9320B1A-5H	
IC402	6-711-116-01 s IC NM2878R3-05 (TE2)	
IC403	6-707-373-01 s IC TPS51100D9CR	
IC403	*1 6-710-708-01 s IC EM6A9320B1-5NGM	
IC403	*2 6-714-462-01 s IC EM6A9320B1A-5H	
IC500	8-753-281-99 s IC CXA7009R-76	
IC501	8-753-281-99 s IC CXA7009R-76	
IC502	8-759-338-95 s IC NM2931V(T2)	
IC503	6-708-762-01 s IC P0Z00MNA1ZPH	
IC504	6-704-953-01 s IC A1C1117A-33PVTJR	
IC600	6-703-225-01 s IC S-80928CMMC-88YTG	
IC601	8-753-281-99 s IC CXA7009R-76	
IC602	8-753-281-99 s IC CXA7009R-76	
IC603	6-703-225-01 s IC S-80928CMMC-88YTG	
IC604	6-708-762-01 s IC P0Z00MNA1ZPH	
IC605	6-704-953-01 s IC A1C1117A-33PVTJR	
IC700	8-753-281-99 s IC CXA7009R-76	
IC701	8-753-281-99 s IC CXA7009R-76	
IC702	6-708-762-01 s IC P0Z00MNA1ZPH	
IC703	6-704-953-01 s IC A1C1117A-33PVTJR	
LI00	1-400-180-21 s INDUCTOR, EMI FERRITE (1608)	
LI01	1-400-177-21 s INDUCTOR, EMI FERRITE (1608)	
LI02	1-469-551-21 s INDUCTOR, CHD 2.0H (LB2016)	
LI03	1-469-551-21 s INDUCTOR, CHD 2.0H (LB2016)	

(C BOARD)

Ref. No. or Q'ty	Part No.	SP Description
L104	1-469-551-21 s	INDUCTOR, CHIP 2.20H (LB2016)
L105	1-469-551-21 s	INDUCTOR, CHIP 2.20H (LB2016)
L300	1-400-177-21 s	INDUCTOR, EMI FERRITE (1608)
L301	1-457-497-11 s	COIL, CHOKER (SMD)
L302	1-457-497-11 s	COIL, CHOKER (SMD)
L303	1-400-180-21 s	INDUCTOR, EMI FERRITE (1608)
L304	1-400-180-21 s	INDUCTOR, EMI FERRITE (1608)
L305	1-400-177-21 s	INDUCTOR, EMI FERRITE (1608)
L306	1-469-561-21 s	INDUCTOR, CHIP 1.000H (LB2016)
L307	1-469-561-21 s	INDUCTOR, CHIP 1.000H (LB2016)
L308	1-469-561-21 s	INDUCTOR, CHIP 1.000H (LB2016)
L309	1-469-561-21 s	INDUCTOR, CHIP 1.000H (LB2016)
L310	1-400-180-21 s	INDUCTOR, EMI FERRITE (1608)
L311	1-400-180-21 s	INDUCTOR, EMI FERRITE (1608)
L400	1-400-180-21 s	INDUCTOR, EMI FERRITE (1608)
L401	1-400-180-21 s	INDUCTOR, EMI FERRITE (1608)
L402	1-400-180-21 s	INDUCTOR, EMI FERRITE (1608)
L500	1-469-549-21 s	INDUCTOR, CHIP 1.00H (LB2016)
L501	1-469-549-21 s	INDUCTOR, CHIP 1.00H (LB2016)
L502	1-469-549-21 s	INDUCTOR, CHIP 1.00H (LB2016)
L503	1-469-549-21 s	INDUCTOR, CHIP 1.00H (LB2016)
L504	1-469-555-21 s	INDUCTOR, CHIP 1.00H (LB2016)
L600	1-469-549-21 s	INDUCTOR, CHIP 1.00H (LB2016)
L601	1-469-549-21 s	INDUCTOR, CHIP 1.00H (LB2016)
L602	1-469-549-21 s	INDUCTOR, CHIP 1.00H (LB2016)
L603	1-469-549-21 s	INDUCTOR, CHIP 1.00H (LB2016)
L604	1-469-555-21 s	INDUCTOR, CHIP 1.00H (LB2016)
L700	1-469-549-21 s	INDUCTOR, CHIP 1.00H (LB2016)
L701	1-469-549-21 s	INDUCTOR, CHIP 1.00H (LB2016)
L702	1-469-549-21 s	INDUCTOR, CHIP 1.00H (LB2016)
L703	1-469-549-21 s	INDUCTOR, CHIP 1.00H (LB2016)
L704	1-469-555-21 s	INDUCTOR, CHIP 1.00H (LB2016)
Q100	6-551-817-01 s	TR UMR52A360LS0
Q101	6-551-817-01 s	TR UMR52A360LS0
Q102	6-551-812-01 s	TR UMR51A190LS0
Q103	6-551-817-01 s	TR UMR52A360LS0
Q200	6-551-321-01 s	TRANSISTOR RT3MLM-TP-1F
Q201	6-551-817-01 s	TR UMR52A360LS0
Q300	6-709-438-01 s	TRANSISTOR PDS6986AS
Q301	6-709-438-01 s	TRANSISTOR RT3MLM-TP-1F
Q500	6-551-321-01 s	TRANSISTOR RT3MLM-TP-1F
Q501	6-551-321-01 s	TRANSISTOR RT3MLM-TP-1F
Q502	6-551-775-01 s	TR 28A21280LS0
Q503	6-551-776-01 s	TR 28C596090LS0
Q600	6-551-321-01 s	TRANSISTOR RT3MLM-TP-1F
Q601	6-551-321-01 s	TRANSISTOR RT3MLM-TP-1F
Q700	6-551-321-01 s	TRANSISTOR RT3MLM-TP-1F
Q701	6-551-321-01 s	TRANSISTOR RT3MLM-TP-1F
R100	1-218-937-81 s	RES, CHIP 47
R101	1-218-937-81 s	RES, CHIP 47
R102	1-218-965-81 s	RES, CHIP 10K 1005
R103	1-218-965-81 s	RES, CHIP 10K 1005
R104	1-218-961-81 s	RES, CHIP 4.7K
R107	1-218-973-81 s	RES, CHIP 47K
R108	1-218-967-81 s	RES, CHIP 15K
R109	1-218-965-81 s	RES, CHIP 10K 1005
R110	1-208-863-81 s	RES, CHIP 100 (1005)
R111	1-208-863-81 s	RES, CHIP 100 (1005)

(C BOARD)

Ref. No. or Q'ty	Part No.	SP Description
R112	1-208-863-81 s	RES, CHIP 100 (1005)
R113	1-208-863-81 s	RES, CHIP 100 (1005)
R114	1-208-863-81 s	RES, CHIP 100 (1005)
R115	1-208-863-81 s	RES, CHIP 100 (1005)
R116	1-208-863-81 s	RES, CHIP 100 (1005)
R117	1-208-863-81 s	RES, CHIP 100 (1005)
R118	1-208-863-81 s	RES, CHIP 100 (1005)
R119	1-208-863-81 s	RES, CHIP 100 (1005)
R120	1-208-863-81 s	RES, CHIP 100 (1005)
R121	1-208-863-81 s	RES, CHIP 100 (1005)
R122	1-218-957-81 s	RES, CHIP 2.2K
R123	1-218-957-81 s	RES, CHIP 2.2K
R124	1-218-957-81 s	RES, CHIP 2.2K
R125	1-218-957-81 s	RES, CHIP 2.2K
R200	1-218-937-81 s	RES, CHIP 47
R201	1-218-937-81 s	RES, CHIP 47
R202	1-218-937-81 s	RES, CHIP 47
R203	1-218-937-81 s	RES, CHIP 47
R204	1-218-937-81 s	RES, CHIP 47
R205	1-218-937-81 s	RES, CHIP 47
R206	1-218-941-81 s	RES, CHIP 100
R207	1-218-945-81 s	RES, CHIP 220
R208	1-218-988-81 s	RES, CHIP 1M
R209	1-218-933-81 s	RES, CHIP 22
R210	1-218-933-81 s	RES, CHIP 22
R211	1-218-990-81 s	CONDUCTOR, CHIP (1005)
R212	1-218-990-81 s	CONDUCTOR, CHIP (1005)
R213	1-218-965-81 s	RES, CHIP 22K
R214	1-218-965-81 s	RES, CHIP 22K
R215	1-218-953-81 s	RES, CHIP 1.0K
R216	1-218-961-81 s	RES, CHIP 4.7K
R217	1-218-953-81 s	RES, CHIP 1.0K
R218	1-218-961-81 s	RES, CHIP 4.7K
R219	1-218-937-81 s	RES, CHIP 47
R220	1-218-953-81 s	RES, CHIP 1.0K
R221	1-218-965-81 s	RES, CHIP 10K 1005
R222	1-218-990-81 s	CONDUCTOR, CHIP (1005)
R223	1-218-965-81 s	RES, CHIP 10K 1005
R224	1-218-990-81 s	CONDUCTOR, CHIP (1005)
R225	1-218-990-81 s	CONDUCTOR, CHIP (1005)
R226	1-218-990-81 s	CONDUCTOR, CHIP (1005)
R227	1-218-965-81 s	RES, CHIP 10K 1005
R228	1-218-990-81 s	CONDUCTOR, CHIP (1005)
R229	1-218-965-81 s	RES, CHIP 10K 1005
R230	1-218-965-81 s	RES, CHIP 10K 1005
R231	1-218-965-81 s	RES, CHIP 10K 1005
R232	1-218-990-81 s	CONDUCTOR, CHIP (1005)
R233	1-218-965-81 s	RES, CHIP 10K 1005
R234	1-218-961-81 s	RES, CHIP 4.7K
R235	1-218-937-81 s	RES, CHIP 47
R236	1-218-929-81 s	RES, CHIP 10
R237	1-218-973-81 s	RES, CHIP 47K
R238	1-218-953-81 s	RES, CHIP 1.0K
R239	1-218-953-81 s	RES, CHIP 1.0K
R241	1-218-929-81 s	RES, CHIP 10
R242	1-218-929-81 s	RES, CHIP 10
R246	1-218-929-81 s	RES, CHIP 10
R247	1-218-929-81 s	RES, CHIP 10
R248	1-218-929-81 s	RES, CHIP 10

(C BOARD)

(C BOARD)

Ref. No. or Q'ty	Part No.	SP Description	Ref. No. or Q'ty	Part No.	SP Description
R249	1-218-929-81 s RES	CHIP 10	R410	1-218-933-81 s RES	CHIP 22
R250	1-218-929-81 s RES	CHIP 10	R411	1-218-933-81 s RES	CHIP 22
R251	1-218-929-81 s RES	CHIP 10	R412	1-218-933-81 s RES	CHIP 22
R254	1-218-965-81 s RES	CHIP 10K 1005	R413	1-218-937-81 s RES	CHIP 47
R255	1-218-929-81 s RES	CHIP 10	R414	1-218-937-81 s RES	CHIP 47
R256	1-218-929-81 s RES	CHIP 10	R415	1-218-937-81 s RES	CHIP 47
R257	1-218-929-81 s RES	CHIP 10	R416	1-218-937-81 s RES	CHIP 47
R258	1-218-929-81 s RES	CHIP 10	R417	1-218-937-81 s RES	CHIP 47
R259	1-218-929-81 s RES	CHIP 10	R418	1-218-937-81 s RES	CHIP 47
R260	1-218-929-81 s RES	CHIP 10	R419	1-218-990-81 s CONDUCTOR	CHIP (1005)
R261	1-218-929-81 s RES	CHIP 10	R420	1-218-990-81 s CONDUCTOR	CHIP (1005)
R262	1-218-929-81 s RES	CHIP 10	R421	1-218-990-81 s CONDUCTOR	CHIP (1005)
R263	1-218-929-81 s RES	CHIP 10	R422	1-218-990-81 s CONDUCTOR	CHIP (1005)
R264	1-218-929-81 s RES	CHIP 10	R423	1-218-929-81 s RES	CHIP 10
R265	1-218-929-81 s RES	CHIP 10	R424	1-218-933-81 s RES	CHIP 22
R266	1-218-929-81 s RES	CHIP 10	R425	1-218-933-81 s RES	CHIP 22
R267	1-218-953-81 s RES	CHIP 1.0K	R426	1-218-929-81 s RES	CHIP 10
R274	1-218-929-81 s RES	CHIP 10	R427	1-218-933-81 s RES	CHIP 22
R275	1-218-929-81 s RES	CHIP 10	R428	1-218-933-81 s RES	CHIP 22
R276	1-218-929-81 s RES	CHIP 10	R429	1-218-933-81 s RES	CHIP 22
R277	1-218-929-81 s RES	CHIP 10	R430	1-218-933-81 s RES	CHIP 22
R278	1-218-929-81 s RES	CHIP 10	R431	1-218-933-81 s RES	CHIP 22
R279	1-218-929-81 s RES	CHIP 10	R432	1-218-933-81 s RES	CHIP 22
R300	1-208-935-81 s RES	CHIP 100K (1005)	R433	1-218-933-81 s RES	CHIP 22
R301	1-208-935-81 s RES	CHIP 100K (1005)	R434	1-218-937-81 s RES	CHIP 47
R302	1-208-903-81 s RES	CHIP 4.7K (1005)	R435	1-218-937-81 s RES	CHIP 47
R303	1-208-891-81 s RES	CHIP 1.5K (1005)	R336	1-218-937-81 s RES	CHIP 47
R304	1-208-947-81 s RES	CHIP 330K (1005)	R337	1-218-937-81 s RES	CHIP 47
R305	1-218-990-81 s CONDUCTOR	CHIP (1005)	R438	1-218-933-81 s RES	CHIP 22
R306	1-208-903-81 s RES	CHIP 4.7K (1005)	R439	1-218-937-81 s RES	CHIP 47
R307	1-208-935-81 s RES	CHIP 100K (1005)	R440	1-218-937-81 s RES	CHIP 47
R309	1-208-887-81 s RES	CHIP 1.0K (1005)	R441	1-218-937-81 s RES	CHIP 47
R310	1-208-911-81 s RES	CHIP 10K (1005)	R443	1-218-933-81 s RES	CHIP 22
R311	1-208-895-81 s RES	CHIP 2.2K (1005)	R444	1-218-933-81 s RES	CHIP 22
R313	1-218-990-81 s CONDUCTOR	CHIP (1005)	R445	1-218-933-81 s RES	CHIP 22
R314	1-218-977-81 s RES	CHIP 100K	R446	1-218-933-81 s RES	CHIP 22
R315	1-218-977-81 s RES	CHIP 100K	R447	1-218-937-81 s RES	CHIP 47
R316	1-218-937-81 s RES	CHIP 47	R448	1-218-937-81 s RES	CHIP 47
R317	1-218-937-81 s RES	CHIP 47	R449	1-218-937-81 s RES	CHIP 47
R318	1-218-929-81 s RES	CHIP 10	R450	1-218-937-81 s RES	CHIP 47
R319	1-245-414-91 s RES	METAL FILM 0.01	R451	1-218-933-81 s RES	CHIP 22
R320	1-240-038-91 s RES	METAL FILM 0.022 (2012)	R452	1-218-933-81 s RES	CHIP 22
R321	1-218-949-81 s RES	CHIP 470	R453	1-218-933-81 s RES	CHIP 22
R322	1-218-949-81 s RES	CHIP 470	R454	1-218-933-81 s RES	CHIP 22
R323	1-218-990-81 s CONDUCTOR	CHIP (1005)	R455	1-218-937-81 s RES	CHIP 47
R324	1-208-887-81 s RES	CHIP 1.0K (1005)	R456	1-218-937-81 s RES	CHIP 47
R325	1-208-903-81 s RES	CHIP 4.7K (1005)	R457	1-218-937-81 s RES	CHIP 47
R326	1-208-895-81 s RES	CHIP 2.2K (1005)	R458	1-218-937-81 s RES	CHIP 47
R327	1-218-949-81 s RES	CHIP 470	R459	1-218-933-81 s RES	CHIP 22
R400	1-218-935-81 s RES	CHIP 33	R500	1-218-990-81 s CONDUCTOR	CHIP (1005)
R401	1-218-935-81 s RES	CHIP 33	R501	1-218-977-81 s RES	CHIP 100K
R402	1-218-935-81 s RES	CHIP 33	R502	1-218-965-81 s RES	CHIP 10K 1005
R403	1-218-935-81 s RES	CHIP 33	R303	1-218-945-81 s RES	CHIP 220
R404	1-218-935-81 s RES	CHIP 33	R304	1-218-945-81 s RES	CHIP 220
R405	1-218-933-81 s RES	CHIP 22	R305	1-218-933-81 s RES	CHIP 22
R406	1-218-933-81 s RES	CHIP 22	R506	1-218-933-81 s RES	CHIP 22
R407	1-218-933-81 s RES	CHIP 22	R507	1-218-933-81 s RES	CHIP 22
R408	1-218-933-81 s RES	CHIP 22	R508	1-218-933-81 s RES	CHIP 22
R409	1-218-933-81 s RES	CHIP 22	R509	1-218-933-81 s RES	CHIP 22

(C BOARD)

Ref. No. or Q'ty	Part No.	SP Description
R510	1-218-941-81 s RRS, CHIP 100	
R511	1-218-933-81 s RRS, CHIP 22	
R512	1-218-941-81 s RRS, CHIP 100	
R513	1-218-941-81 s RRS, CHIP 100	
R514	1-218-990-81 s CONDUCTOR, CHIP (1005)	
R515	1-218-941-81 s RRS, CHIP 100	
R516	1-218-990-81 s CONDUCTOR, CHIP (1005)	
R517	1-218-941-81 s RRS, CHIP 100	
R519	1-218-941-81 s RRS, CHIP 100	
R521	1-218-961-81 s RRS, CHIP 4.7K	
R525	1-218-961-81 s RRS, CHIP 4.7K	
R526	1-218-961-81 s RRS, CHIP 4.7K	
R527	1-218-965-81 s RRS, CHIP 10K 1005	
R529	1-218-965-81 s RRS, CHIP 10K 1005	
R531	1-218-961-81 s RRS, CHIP 4.7K	
R532	1-218-937-81 s RRS, CHIP 4.7K	
R533	1-218-953-81 s RRS, CHIP 1.0K	
R534	1-218-933-81 s RRS, CHIP 1.0K	
R535	1-218-937-81 s RRS, CHIP 4.7K	
R536	1-218-937-81 s RRS, CHIP 4.7K	
R537	1-218-937-81 s RRS, CHIP 4.7K	
R538	1-218-937-81 s RRS, CHIP 4.7K	
R539	1-218-937-81 s RRS, CHIP 4.7K	
R540	1-218-937-81 s RRS, CHIP 4.7K	
R541	1-218-990-81 s CONDUCTOR, CHIP (1005)	
R542	1-218-937-81 s RRS, CHIP 4.7K	
R543	1-218-937-81 s RRS, CHIP 4.7K	
R544	1-218-937-81 s RRS, CHIP 4.7K	
R545	1-218-937-81 s RRS, CHIP 4.7K	
R546	1-218-937-81 s RRS, CHIP 4.7K	
R547	1-218-937-81 s RRS, CHIP 4.7K	
R548	1-218-941-81 s RRS, CHIP 100	
R549	1-218-937-81 s RRS, CHIP 4.7K	
R550	1-218-937-81 s RRS, CHIP 4.7K	
R551	1-218-937-81 s RRS, CHIP 4.7K	
R552	1-218-929-81 s RRS, CHIP 10	
R553	1-218-937-81 s RRS, CHIP 4.7K	
R554	1-218-937-81 s RRS, CHIP 4.7K	
R555	1-218-937-81 s RRS, CHIP 4.7K	
R556	1-218-937-81 s RRS, CHIP 4.7K	
R557	1-218-937-81 s RRS, CHIP 4.7K	
R558	1-218-937-81 s RRS, CHIP 4.7K	
R559	1-218-937-81 s RRS, CHIP 4.7K	
R560	1-218-937-81 s RRS, CHIP 4.7K	
R561	1-218-937-81 s RRS, CHIP 4.7K	
R562	1-218-957-81 s RRS, CHIP 2.2K	
R563	1-218-957-81 s RRS, CHIP 2.2K	
R564	1-218-929-81 s RRS, CHIP 10	
R565	1-218-929-81 s RRS, CHIP 10	
R566	1-218-929-81 s RRS, CHIP 10	
R567	1-218-977-81 s RRS, CHIP 100K	
R568	1-218-965-81 s RRS, CHIP 10K 1005	
R569	1-218-990-81 s CONDUCTOR, CHIP (1005)	
R570	1-218-977-81 s RRS, CHIP 100K	
R571	1-218-965-81 s RRS, CHIP 10K 1005	
R572	1-218-990-81 s CONDUCTOR, CHIP (1005)	
R574	1-218-961-81 s RRS, CHIP 4.7K	
R575	1-208-887-81 s RRS, CHIP 1.0K (1005)	
R576	1-208-903-81 s RRS, CHIP 4.7K (1005)	

(C BOARD)

Ref. No. or Q'ty	Part No.	SP Description
R577	1-208-931-81 s RRS, CHIP 68K (1005)	
R578	1-218-965-81 s RRS, CHIP 10K 1005	
R579	1-218-981-81 s RRS, CHIP 220K	
R580	1-218-973-81 s RRS, CHIP 4.7K	
R581	1-218-973-81 s RRS, CHIP 4.7K	
R582	1-218-977-81 s RRS, CHIP 100K	
R583	1-218-941-81 s RRS, CHIP 100	
R584	1-218-965-81 s RRS, CHIP 10K 1005	
R585	1-218-965-81 s RRS, CHIP 10K 1005	
R586	1-218-990-81 s CONDUCTOR, CHIP (1005)	
R587	1-218-990-81 s CONDUCTOR, CHIP (1005)	
R588	1-218-990-81 s CONDUCTOR, CHIP (1005)	
R589	1-218-990-81 s CONDUCTOR, CHIP (1005)	
R590	1-218-929-81 s RRS, CHIP 10	
R591	1-218-990-81 s CONDUCTOR, CHIP (1005)	
R592	1-218-990-81 s CONDUCTOR, CHIP (1005)	
R600	1-218-965-81 s RRS, CHIP 10K 1005	
R601	1-218-990-81 s CONDUCTOR, CHIP (1005)	
R602	1-218-990-81 s CONDUCTOR, CHIP (1005)	
R603	1-218-977-81 s RRS, CHIP 100K	
R604	1-218-965-81 s RRS, CHIP 10K 1005	
R605	1-218-945-81 s RRS, CHIP 220	
R606	1-218-945-81 s RRS, CHIP 220	
R607	1-218-933-81 s RRS, CHIP 22	
R608	1-218-933-81 s RRS, CHIP 22	
R609	1-218-933-81 s RRS, CHIP 22	
R610	1-218-933-81 s RRS, CHIP 22	
R611	1-218-933-81 s RRS, CHIP 22	
R612	1-218-941-81 s RRS, CHIP 100	
R613	1-218-933-81 s RRS, CHIP 22	
R614	1-218-941-81 s RRS, CHIP 100	
R615	1-218-941-81 s RRS, CHIP 100	
R616	1-218-990-81 s CONDUCTOR, CHIP (1005)	
R617	1-218-941-81 s RRS, CHIP 100	
R618	1-218-990-81 s CONDUCTOR, CHIP (1005)	
R619	1-218-941-81 s RRS, CHIP 100	
R621	1-218-941-81 s RRS, CHIP 100	
R622	1-218-961-81 s RRS, CHIP 4.7K	
R623	1-218-961-81 s RRS, CHIP 4.7K	
R625	1-218-961-81 s RRS, CHIP 4.7K	
R626	1-218-961-81 s RRS, CHIP 4.7K	
R629	1-218-965-81 s RRS, CHIP 10K 1005	
R631	1-218-965-81 s RRS, CHIP 10K 1005	
R633	1-218-961-81 s RRS, CHIP 4.7K	
R638	1-218-937-81 s RRS, CHIP 4.7K	
R639	1-218-937-81 s RRS, CHIP 4.7K	
R634	1-218-953-81 s RRS, CHIP 1.0K	
R640	1-218-937-81 s RRS, CHIP 4.7K	
R641	1-218-937-81 s RRS, CHIP 4.7K	
R642	1-218-937-81 s RRS, CHIP 4.7K	
R643	1-218-990-81 s CONDUCTOR, CHIP (1005)	
R644	1-218-937-81 s RRS, CHIP 4.7K	
R645	1-218-937-81 s RRS, CHIP 4.7K	
R646	1-218-937-81 s RRS, CHIP 4.7K	
R647	1-218-937-81 s RRS, CHIP 4.7K	
R648	1-218-937-81 s RRS, CHIP 4.7K	
R649	1-218-937-81 s RRS, CHIP 4.7K	

(C BOARD)

(C BOARD)

Ref. No. or Q'ty	Part No.	SP Description
R650	1-218-941-81 s RES	CHIP 100
R651	1-218-937-81 s RES	CHIP 47
R652	1-218-937-81 s RES	CHIP 47
R653	1-218-937-81 s RES	CHIP 47
R654	1-218-929-81 s RES	CHIP 10
R655	1-218-937-81 s RES	CHIP 47
R656	1-218-937-81 s RES	CHIP 47
R657	1-218-937-81 s RES	CHIP 47
R658	1-218-937-81 s RES	CHIP 47
R659	1-218-937-81 s RES	CHIP 47
R660	1-218-937-81 s RES	CHIP 47
R661	1-218-937-81 s RES	CHIP 47
R662	1-218-937-81 s RES	CHIP 47
R663	1-218-937-81 s RES	CHIP 47
R664	1-218-957-81 s RES	CHIP 2.2K
R665	1-218-957-81 s RES	CHIP 2.2K
R666	1-218-929-81 s RES	CHIP 10
R667	1-218-929-81 s RES	CHIP 10
R668	1-218-929-81 s RES	CHIP 10
R669	1-218-961-81 s RES	CHIP 4.7K
R670	1-218-965-81 s RES	CHIP 10K 1005
R671	1-218-990-81 s CONDUCTOR	CHIP (1005)
R672	1-218-990-81 s CONDUCTOR	CHIP (1005)
R673	1-218-965-81 s RES	CHIP 10K 1005
R675	1-218-961-81 s RES	CHIP 4.7K
R676	1-208-887-81 s RES	CHIP 1.0K (1005)
R677	1-208-903-81 s RES	CHIP 4.7K (1005)
R678	1-208-931-81 s RES	CHIP 68K (1005)
R679	1-218-965-81 s RES	CHIP 10K 1005
R680	1-218-965-81 s RES	CHIP 10K 1005
R681	1-218-990-81 s CONDUCTOR	CHIP (1005)
R682	1-218-990-81 s CONDUCTOR	CHIP (1005)
R683	1-218-990-81 s CONDUCTOR	CHIP (1005)
R684	1-218-990-81 s CONDUCTOR	CHIP (1005)
R685	1-218-929-81 s RES	CHIP 10
R686	1-218-990-81 s CONDUCTOR	CHIP (1005)
R687	1-218-990-81 s CONDUCTOR	CHIP (1005)
R700	1-218-990-81 s CONDUCTOR	CHIP (1005)
R701	1-218-977-81 s RES	CHIP 100K
R702	1-218-965-81 s RES	CHIP 10K 1005
R703	1-218-945-81 s RES	CHIP 220
R704	1-218-945-81 s RES	CHIP 220
R705	1-218-933-81 s RES	CHIP 22
R706	1-218-933-81 s RES	CHIP 22
R707	1-218-933-81 s RES	CHIP 22
R708	1-218-933-81 s RES	CHIP 22
R709	1-218-933-81 s RES	CHIP 22
R710	1-218-941-81 s RES	CHIP 100
R711	1-218-933-81 s RES	CHIP 22
R712	1-218-941-81 s RES	CHIP 100
R713	1-218-941-81 s RES	CHIP 100
R714	1-218-990-81 s CONDUCTOR	CHIP (1005)
R715	1-218-941-81 s RES	CHIP 100
R716	1-218-990-81 s CONDUCTOR	CHIP (1005)
R717	1-218-941-81 s RES	CHIP 100
R718	1-218-961-81 s RES	CHIP 4.7K
R719	1-218-941-81 s RES	CHIP 100
R722	1-218-961-81 s RES	CHIP 4.7K
R725	1-218-961-81 s RES	CHIP 4.7K

(C BOARD)

Ref. No. or Q'ty	Part No.	SP Description
R727	1-218-965-81 s RES	CHIP 10K 1005
R728	1-218-961-81 s RES	CHIP 4.7K
R729	1-218-965-81 s RES	CHIP 10K 1005
R730	1-218-961-81 s RES	CHIP 4.7K
R733	1-218-953-81 s RES	CHIP 1.0K
R734	1-218-953-81 s RES	CHIP 1.0K
R735	1-218-937-81 s RES	CHIP 47
R736	1-218-937-81 s RES	CHIP 47
R737	1-218-937-81 s RES	CHIP 47
R738	1-218-937-81 s RES	CHIP 47
R739	1-218-937-81 s RES	CHIP 47
R740	1-218-937-81 s RES	CHIP 47
R741	1-218-990-81 s CONDUCTOR	CHIP (1005)
R742	1-218-937-81 s RES	CHIP 47
R743	1-218-937-81 s RES	CHIP 47
R744	1-218-937-81 s RES	CHIP 47
R745	1-218-937-81 s RES	CHIP 47
R746	1-218-937-81 s RES	CHIP 47
R747	1-218-937-81 s RES	CHIP 47
R748	1-218-941-81 s RES	CHIP 100
R749	1-218-937-81 s RES	CHIP 47
R750	1-218-937-81 s RES	CHIP 47
R751	1-218-937-81 s RES	CHIP 47
R752	1-218-929-81 s RES	CHIP 10
R753	1-218-937-81 s RES	CHIP 47
R754	1-218-937-81 s RES	CHIP 47
R755	1-218-937-81 s RES	CHIP 47
R756	1-218-937-81 s RES	CHIP 47
R757	1-218-937-81 s RES	CHIP 47
R758	1-218-937-81 s RES	CHIP 47
R759	1-218-937-81 s RES	CHIP 47
R760	1-218-937-81 s RES	CHIP 47
R761	1-218-937-81 s RES	CHIP 47
R762	1-218-957-81 s RES	CHIP 2.2K
R763	1-218-957-81 s RES	CHIP 2.2K
R764	1-218-929-81 s RES	CHIP 10
R765	1-218-929-81 s RES	CHIP 10
R766	1-218-929-81 s RES	CHIP 10
R767	1-218-990-81 s CONDUCTOR	CHIP (1005)
R769	1-218-961-81 s RES	CHIP 4.7K
R770	1-208-887-81 s RES	CHIP 1.0K (1005)
R771	1-208-903-81 s RES	CHIP 4.7K (1005)
R772	1-208-931-81 s RES	CHIP 68K (1005)
R773	1-218-965-81 s RES	CHIP 10K 1005
R774	1-218-965-81 s RES	CHIP 10K 1005
R775	1-218-990-81 s CONDUCTOR	CHIP (1005)
R776	1-218-990-81 s CONDUCTOR	CHIP (1005)
R777	1-218-990-81 s CONDUCTOR	CHIP (1005)
R778	1-218-990-81 s CONDUCTOR	CHIP (1005)
R779	1-218-929-81 s RES	CHIP 10
R780	1-218-990-81 s CONDUCTOR	CHIP (1005)
R781	1-218-990-81 s CONDUCTOR	CHIP (1005)
R8200	1-242-963-21 s RES	NETWORK 33 (1005X4)
R8201	1-242-963-21 s RES	NETWORK 33 (1005X4)
R8202	1-242-963-21 s RES	NETWORK 33 (1005X4)
R8203	1-242-963-21 s RES	NETWORK 33 (1005X4)
R8204	1-242-963-21 s RES	NETWORK 33 (1005X4)
R8205	1-242-963-21 s RES	NETWORK 33 (1005X4)

(C BOARD)

Ref. No. or Q'ty	Part No.	SP Description
RB709	1-234-373-21	s RES, NETWORK 220 (1005X4)
RB710	1-234-373-21	s RES, NETWORK 220 (1005X4)
RB711	1-234-373-21	s RES, NETWORK 220 (1005X4)
TH100	1-804-354-21	s THERMISTOR (10K)
TP102	1-535-757-21	s CHIP, CHECKER
TP103	1-535-757-21	s CHIP, CHECKER
TP104	1-535-757-21	s CHIP, CHECKER
TP105	1-535-757-21	s CHIP, CHECKER
TP106	1-535-757-21	s CHIP, CHECKER
TP107	1-535-757-21	s CHIP, CHECKER
TP108	1-535-757-21	s CHIP, CHECKER
TP109	1-535-757-21	s CHIP, CHECKER
TP110	1-535-757-21	s CHIP, CHECKER
TP111	1-535-757-21	s CHIP, CHECKER
X200	1-814-033-11	s QUARTZ CRYSTAL UNIT (33.3MHZ)

GA BOARD

Ref. No. or Q'ty	Part No.	SP Description
1pc	A-1563-845-A	s MOUNTED CIRCUIT BOARD, GA
1pc	1-910-044-95	s PVC TUBI DAT 14
1pc	4-114-017-02	s GUARD, COIL
Specs	7-322-065-48	s RUBBER, SILICONE RTV (KE-349)
C101	1-104-330-91	s CAP, CERAMIC 470PF R
C102	1-114-325-11	s CAP, CERAMIC 0.1MF X7R 1608
C103	1-100-780-31	s CAP, ELRCT 22MF
C104	1-162-927-91	s CAP, CERAMIC 100PF CH 1608
C105	1-107-902-91	s CAP, ELRCT 1.0MF
C106	1-112-876-51	s CAP, CERAMIC 470PF B
C107	1-112-876-51	s CAP, CERAMIC 470PF B
C108	1-100-139-31	s CAP, PP FILM 0.001MF
C109	1-107-903-91	s CAP, ELRCT 2.2MF
C110	1-165-528-31	s CAP, PETP FILM (ACROSS) 0.1
C111	1-107-910-91	s CAP, ELRCT 100NF
C112	1-162-964-91	s CAP, CHIP CERAMIC 1000PF B 16
C113	1-112-876-51	s CAP, CERAMIC 470PF B
C114	1-128-942-31	s CAP, ELRCT 1000NF
C115	1-114-325-11	s CAP, CERAMIC 0.1MF X7R 1608
C116	1-114-325-11	s CAP, CERAMIC 0.1MF X7R 1608
C117	1-165-529-31	s CAP, PETP FILM (ACROSS) 0.22
C118	1-100-915-11	s CAP, METALIZED PE FILM 0.47MF
C119	1-100-912-11	s CAP, CERAMIC 1.0MF X7R (2012)
C130	1-114-323-11	s CAP, CERAMIC 0.01MF X7R 1608
C131	1-165-531-31	s CAP, PETP FILM (ACROSS) 1.00NF
CM101	1-691-960-11	o PIN, CONNECTOR (PC BOARD) 31
CM102	1-691-960-21	s PIN, CONNECTOR (PC BOARD) 31
CM103	1-819-336-11	o HEADER ASSEMBLY FOR PWB 3P
CM104	1-819-472-11	o HEADER ASSEMBLY FOR PWB 2P
CM105	1-820-181-11	s HEADER ASSEMBLY (PRINT PWB)
D101	1-8-719-077-76	s DIODE D2SB60A-F04
D103	6-502-380-01	s DI, ABULBVI
D104	6-501-817-01	s DIODE MA2J1110GLS0
D105	6-500-567-31	s DIODE 10ERB20-7B3
D106	6-500-567-31	s DIODE 10ERB20-7B3
D107	6-501-817-01	s DIODE MA2J1110GLS0
D108	6-501-526-01	s DIODE D1NS6-TR2
D109	6-501-817-01	s DIODE MA2J1110GLS0
ET101	1-780-482-11	s EARTH TERMINAL
ET102	1-780-482-11	s EARTH TERMINAL
F101	1-576-233-51	s FUSE (H.B.C.) (6.3A/250V)
IC101	6-708-801-01	s IC MP22H
IC102	6-707-828-01	s IC MM431ANR
IC103	6-707-828-01	s IC MM431ANR
L130	1-414-183-31	s MICRO INDUCTOR
PH101	8-749-016-82	s PHOTO COUPLER PC123GY2J00F
PH102	8-749-016-82	s PHOTO COUPLER PC123GY2J00F
PH103	8-749-016-82	s PHOTO COUPLER PC123GY2J00F
Q101	6-550-760-01	s TRANSISTOR 2SA1363-T111-1E
Q102	8-729-620-07	s TRANSISTOR 2SC3052BF-T1-1EF
Q103	8-729-038-28	s TRANSISTOR RT1N441C-TP-1
Q104	8-729-620-07	s TRANSISTOR 2SC3052BF-T1-1EF
Q105	6-550-760-01	s TRANSISTOR 2SA1363-T111-1E

Ref. No. or Q'ty	Part No.	SP Description	Ref. No. or Q'ty	Part No.	SP Description
	(GA BOARD)			(GB BOARD)	
R101	1-245-502-21 s	ANTI SURGE RESISTOR 4.7M	C201	1-114-323-11 s	CAP, CERAMIC 0.01MF X7R 1608
R104	1-219-754-91 s	RESISTOR(SURGE RESISTANT) 680K	C206	1-112-780-11 s	CAP, CERAMIC 0.47MF X7R 1608
R105	Δ 1-246-188-51 s	RES, NONFLAMMABLE FUSE 10	C207	1-114-323-11 s	CAP, CERAMIC 0.01MF X7R 1608
R106	1-218-865-91 s	CHIP 5.6K (1608)	C208	1-117-221-11 s	CAP, METALIZED PE FILM 1.0MF
R107	1-243-125-71 s	RES, OXIDE METAL FILM 100K	C209	1-162-964-91 s	CAP,CHIP CERAMIC 1000PF B 1608
R108	1-249-385-91 s	RES, CARBON (SMALL) 2.2	C210	1-114-322-11 s	CAP, CERAMIC 4700PF X7R 1608
R109	1-216-821-91 s	RES, CHIP 1.0K (1608)	C211	1-114-323-11 s	CAP, CERAMIC 0.01MF X7R 1608
R110	1-216-825-91 s	RES, CHIP 2.2K (1608)	C212	1-165-825-11 s	CAP, FILM 2.2MF
R111	Δ 1-211-748-31 s	RES, CEMENT-COATED (FUSE) 5.6	C213	1-162-915-91 s	CAP, CERAMIC 10PF CH 1608
R112	Δ 1-211-748-31 s	RES, CEMENT-COATED (FUSE) 5.6	C214	1-107-906-91 s	CAP, ELECT 10MF
R113	1-216-805-91 s	RES, CHIP 47 (1608)	C215	1-107-906-91 s	CAP, ELECT 10MF
R114	1-216-821-91 s	RES, CHIP 1.0K (1608)	C216	1-114-323-11 s	CAP, CERAMIC 0.01MF X7R 1608
R116	1-218-835-91 s	RES, CHIP 2.2K (1608)	C217	1-104-330-91 s	CAP, CERAMIC 470PF R
R117	1-218-867-91 s	RES, CHIP 6.8K (1608)	C218	1-162-964-91 s	CAP,CHIP CERAMIC 1000PF B 1608
R118	1-216-833-91 s	RES, CHIP 10K (1608)	C219	1-104-330-91 s	CAP, CERAMIC 470PF R
R119	1-216-821-91 s	RES, CHIP 1.0K (1608)	C220	1-117-752-11 s	CAP, ELECT 330MF
R120	1-208-838-91 s	RES, CHIP 220K (2012)	C221	1-104-962-91 s	CAP, ELECT 47MF
R121	1-208-838-91 s	RES, CHIP 220K (2012)	C222	1-117-152-11 s	CAP, ELECT 330MF
R122	1-208-838-91 s	RES, CHIP 220K (2012)	C223	1-107-912-11 s	CAP, CERAMIC 1.0MF X7R (2012)
R123	1-208-838-91 s	RES, CHIP 220K (2012)	C224	1-114-323-11 s	CAP, CERAMIC 0.01MF X7R 1608
R124	1-208-838-91 s	RES, CHIP 220K (2012)	C225	1-114-323-11 s	CAP, CERAMIC 0.01MF X7R 1608
R125	1-218-871-91 s	RES, CHIP 10K (1608)	C228	1-107-906-91 s	CAP, ELECT 10MF
R126	1-218-851-91 s	RES, CHIP 1.5K (1608)	C301	1-114-322-11 s	CAP, CERAMIC 0.01MF X7R 1608
R127	1-216-829-91 s	RES, CHIP 4.7K (1608)	C302	1-162-275-91 s	CAP, CERAMIC 1000PF CH (2012)
R128	1-216-821-91 s	RES, CHIP 1.0K (1608)	C303	1-162-964-91 s	CAP,CHIP CERAMIC 1000PF B 1608
R129	1-216-833-91 s	RES, CHIP 10K (1608)	C304	1-100-909-11 s	CAP, CERAMIC 10MF X6S 2012
R131	1-216-833-91 s	RES, CHIP 10K (1608)	C305	1-114-331-11 s	CAP, CERAMIC 4.7MF X7R 2012
R132	1-216-839-91 s	RES, CHIP 33K (1608)	C306	1-107-893-91 s	CAP, ELECT 100MF
R133	1-216-821-91 s	RES, CHIP 1.0K (1608)	C307	1-107-909-91 s	CAP, ELECT 47MF
R134	1-216-833-91 s	RES, CHIP 10K (1608)	C308	1-114-322-11 s	CAP, CERAMIC 0.22MF X7R 1608
R135	1-216-839-91 s	RES, CHIP 33K (1608)	C309	1-104-330-91 s	CAP, CERAMIC 470PF R
R149	1-216-864-91 s	CONDUCTOR, CHIP (1608)	C310	1-112-064-11 s	CAP, CERAMIC 2.2MF X7R 2012
RY101	Δ 1-755-356-11 s	RELAY (AC POWER)	C311	1-137-754-22 s	CAP, METALIZED PE FILM 6800PF
RY102	Δ 1-755-395-11 s	RELAY (AC POWER)	C312	Δ 1-112-876-51 s	CAP, CERAMIC 470PF B
T101	Δ 1-443-984-21 s	CONVERTER TRANSFORMER (SPT)	C314	1-112-065-11 s	CAP, CERAMIC 4.7MF X7R 3216
TH101	Δ 1-803-586-41 s	THERMISTOR	C315	1-114-325-11 s	CAP, CERAMIC 0.1MF X7R 1608
VDR101	Δ 1-802-423-21 s	VARISTOR (TMD10SK621K)	C316	1-128-947-31 s	CAP, ELECT 3300MF
VDR102	Δ 1-802-423-21 s	VARISTOR (TMD10SV621K)	C317	1-114-325-11 s	CAP, CERAMIC 0.1MF X7R 1608
			C318	1-128-955-31 s	CAP, ELECT 2200MF
			C319	1-128-954-31 s	CAP, ELECT 1000MF
			C320	1-114-325-11 s	CAP, CERAMIC 0.1MF X7R 1608
			C321	1-114-325-11 s	CAP, CERAMIC 0.1MF X7R 1608
			CN201	1-819-336-11 o	HEADER ASSEMBLY FOR PWB 3P
			CN202	Δ 1-931-860-21 s	PLN, CONNECTOR (PC BOARD) 3P
			CN203	Δ 1-691-960-11 o	PLN, CONNECTOR (PC BOARD) 3P
			CN301	1-819-463-11 s	HEADER ASSEMBLY FOR PWB 6P
			CN302	1-819-461-11 s	HEADER ASSEMBLY FOR PWB 4P
			CN303	1-820-183-11 s	HEADER ASSEMBLY (PRINT PWB) 6P
			D206	Δ 8-719-022-99 s	DIODE D6SB60L

*1:[VPL-HM10]
*2:[VPL-HM15]

Ref. No. or Q'ty	Part No.	SP Description
D208	6-501-817-01 s	DIODE MA2J1110G4S0
D209	6-500-137-01 s	DIODE BATS4HRT1
D210	6-501-817-01 s	DIODE MA2J1110G4S0
D211	6-501-818-01 s	DIODE MA2J1130G4S0
D212	6-501-043-01 s	DIODE UMZ16MT106
D213	8-719-302-03 s	DIODE RM11A
D214	8-719-079-02 s	DIODE SF20L60U
D215	6-501-817-01 s	DIODE MA2J1110G4S0
D217	6-501-817-01 s	DIODE MA2J1110G4S0
D218	6-501-817-01 s	DIODE MA2J1110G4S0
D301	6-501-780-01 s	DIODE MA28180G0LS0
D303	8-719-081-67 s	DIODE M1FM3
D306	8-719-081-67 s	DIODE M1FM3
D307	8-719-979-64 s	DIODE UF4005/23
D308	6-501-780-01 s	DIODE MA28180G0LS0
D309	6-500-137-01 s	DIODE BATS4HRT1
D310	6-501-780-01 s	DIODE MA28180G0LS0
D315	6-501-817-01 s	DIODE MA2J1110G4S0
D316	8-719-510-09 s	DIODE D10SC6M
D317	8-719-510-09 s	DIODE D10SC6M
D318	8-719-510-09 s	DIODE D10SC6M
D320	6-501-817-01 s	DIODE MA2J1110G4S0
D321	6-501-817-01 s	DIODE MA2J1110G4S0
D322	6-501-817-01 s	DIODE MA2J1110G4S0
D323	6-501-817-01 s	DIODE MA2J1110G4S0
D324	6-501-817-01 s	DIODE MA2J1110G4S0
D325	6-501-817-01 s	DIODE MA2J1110G4S0
D326	6-501-817-01 s	DIODE MA2J1110G4S0
FB201	1-410-397-31 s	FERRITE BEAD INDUCTOR 1.1UH
FB202	1-410-397-31 s	FERRITE BEAD INDUCTOR 1.1UH
IC201	6-709-192-01 s	IC PA5501AN-D1-TE1
IC202	6-707-828-01 s	IC MML431ANRE
IC203	6-708-254-01 s	IC BA00CC0WP
IC204	6-707-828-01 s	IC MML431ANRE
IC301	6-706-852-01 s	IC CXD98441M
IC302	8-759-066-56 s	IC TX75W393RF-TE12R
IC303	6-707-828-01 s	IC MML431ANRE
L201	Δ 1-457-277-11 s	CHOKE COIL 2600H
L202	Δ 1-457-141-21 s	CHOKE COIL 1750H
PH301	Δ 8-749-016-82 s	PHOTO COUPLER PC123GY2100F
PH302	Δ 8-749-016-82 s	PHOTO COUPLER PC123GY2100F
PH303	Δ 8-749-016-82 s	PHOTO COUPLER PC123GY2100F
Q202	8-729-038-28 s	TRANSISTOR RT1N441C-TP-1
Q203	8-729-820-92 s	TRANSISTOR ZSD1621ST-TD-E
Q204	8-729-822-09 s	TRANSISTOR ZS81122-ST-TD-E
Q205	Δ 8-729-055-36 s	TRANSISTOR SPW20M60S5
Q207	6-551-696-01 s	TRANSISTOR ISM1235ACTP-1EF
Q208	6-551-696-01 s	TRANSISTOR ISM1235ACTP-1EF
Q209	6-550-760-01 s	TRANSISTOR ZSA1363-r111-1E
Q301	Δ 8-729-052-29 s	TRANSISTOR ZSK2876-01MR-F122
Q302	Δ 8-729-052-29 s	TRANSISTOR ZSK2876-01MR-F122
Q303	6-551-696-01 s	TRANSISTOR ISM1235ACTP-1EF
Q304	8-729-620-07 s	TRANSISTOR ZSC3052EF-T1-1EF
Q305	8-729-620-07 s	TRANSISTOR ZSC3052EF-T1-1EF
Q306	8-729-620-07 s	TRANSISTOR ZSC3052EF-T1-1EF
Q307	6-550-596-01 s	TRANSISTOR EDC658P

Ref. No. or Q'ty	Part No.	SP Description
Q308	6-550-596-01 s	TRANSISTOR EDC658P
Q309	8-729-038-28 s	TRANSISTOR RT1N441C-TP-1
Q310	8-729-038-28 s	TRANSISTOR RT1N441C-TP-1
Q311	8-729-038-28 s	TRANSISTOR RT1N441C-TP-1
Q312	8-729-038-28 s	TRANSISTOR RT1N441C-TP-1
Q313	8-729-038-28 s	TRANSISTOR RT1N441C-TP-1
R201	1-216-857-91 s	RES, CHIP 1.0K (1608)
R209	1-218-867-91 s	RES, CHIP 6.8K (1608)
R210	1-218-867-91 s	RES, CHIP 6.8K (1608)
R211	1-216-817-91 s	RES, CHIP 470 (1608)
R212	1-208-838-91 s	RES, CHIP 220K (2012)
R213	1-208-838-91 s	RES, CHIP 220K (2012)
R214	1-208-838-91 s	RES, CHIP 220K (2012)
R215	1-208-838-91 s	RES, CHIP 220K (2012)
R216	1-208-838-91 s	RES, CHIP 220K (2012)
R217	1-216-864-91 s	CONDUCTOR, CHIP (1608)
R218	1-218-825-91 s	RES, CHIP 120 (1608)
R219	1-218-827-91 s	RES, CHIP 150 (1608)
R220	1-216-829-91 s	RES, CHIP 4.7K (1608)
R221	1-249-405-91 s	RES, CARBON (SMALL) 100
R222	1-208-818-91 s	RES, CHIP 33K (2012)
R223	1-218-907-91 s	RES, CHIP 330K (1608)
R224	1-218-879-91 s	RES, CHIP 22K (1608)
R225	1-218-895-91 s	RES, CHIP 100K (1608)
R226	1-216-295-91 s	CONDUCTOR, CHIP (2012)
R227	1-216-809-91 s	RES, CHIP 100 (1608)
R228	1-216-789-91 s	RES, CHIP 2.2 (1608)
R229	1-249-393-91 s	RES, CARBON (SMALL) 10
R230	1-216-833-91 s	RES, CHIP 10K (1608)
R231	1-219-729-11 s	RES, CEMENT 0.33
R232	1-219-729-11 s	RES, CEMENT 0.33
R233	1-249-393-91 s	RES, CARBON (SMALL) 10
R234	1-15-882-71 s	METAL OXIDE FILM 22
R235	1-216-834-91 s	RES, CHIP 12K (1608)
R236	1-216-829-91 s	RES, CHIP 4.7K (1608)
R237	1-215-882-71 s	METAL OXIDE FILM 22
R238	1-216-833-91 s	RES, CHIP 10K (1608)
R239	1-218-833-91 s	RES, CHIP 10K (1608)
R240	1-208-840-91 s	RES, CHIP 270K (2012)
R241	1-208-840-91 s	RES, CHIP 270K (2012)
R242	1-208-840-91 s	RES, CHIP 270K (2012)
R243	1-208-840-91 s	RES, CHIP 270K (2012)
R244	1-208-840-91 s	RES, CHIP 270K (2012)
R245	1-208-840-91 s	RES, CHIP 220K (2012)
R246	1-218-869-91 s	RES, CHIP 8.2K (1608)
R247	1-218-833-91 s	RES, CHIP 270 (1608)
R248	1-208-840-91 s	RES, CHIP 270K (2012)
R249	1-208-840-91 s	RES, CHIP 270K (2012)
R250	1-208-840-91 s	RES, CHIP 270K (2012)
R251	1-208-840-91 s	RES, CHIP 270K (2012)
R252	1-208-838-91 s	RES, CHIP 220K (2012)
R253	1-218-867-91 s	RES, CHIP 6.8K (1608)
R254	*1 1-218-841-11 s	METAL CHIP 50 0.5Ω 1
R255	*2 1-18-864-91 s	CONDUCTOR, CHIP (1608)
R256	1-218-863-91 s	RES, CHIP 4.7K (1608)
R257	1-218-847-91 s	RES, CHIP 1.0K (1608)
R258	1-216-817-91 s	RES, CHIP 470 (1608)
R259	1-216-833-91 s	RES, CHIP 10K (1608)

(GB BOARD)

(GB BOARD)

(GB BOARD)

Ref. No. or Q'ty	Part No.	SP Description
R261	1-216-849-91 s RES,	CHIP 220K (1608)
R262	1-216-841-91 s RES,	CHIP 47K (1608)
R263	1-216-841-91 s RES,	CHIP 47K (1608)
R264	1-216-849-91 s RES,	CHIP 220K (1608)
R265	1-216-833-91 s RES,	CHIP 10K (1608)
R268	1-216-837-91 s RES,	CHIP 22K (1608)
R273	1-216-833-91 s RES,	CHIP 10K (1608)
R301	1-216-836-91 s RES,	CHIP 18K (1608)
R302	1-216-821-91 s RES,	CHIP 1.0K (1608)
R303	1-218-873-91 s RES,	CHIP 12K (1608)
R304	1-216-809-91 s RES,	CHIP 100 (1608)
R306	1-249-389-91 s RES,	CARBON (SMALL) 4.7
R307	1-216-836-91 s RES,	CHIP 18K (1608)
R311	1-216-797-91 s RES,	CHIP 10 (1608)
R312	1-216-811-91 s RES,	CHIP 150 (1608)
R313	1-216-833-91 s RES,	CHIP 10K (1608)
R315	1-216-797-91 s RES,	CHIP 10 (1608)
R316	Δ 1-220-778-81 s RES,	NONFLAMMABLE FUSE 0.1
R317	1-216-833-91 s RES,	CHIP 10K (1608)
R318	1-216-841-91 s RES,	CHIP 47K (1608)
R319	1-216-833-91 s RES,	CHIP 10K (1608)
R321	1-243-803-71 s RES,	OXIDE METAL FILM 0.33
R322	1-216-821-91 s RES,	CHIP 1.0K (1608)
R323	1-216-833-91 s RES,	CHIP 10K (1608)
R324	1-216-845-91 s RES,	CHIP 100K (1608)
R325	1-216-821-91 s RES,	CHIP 1.0K (1608)
R326	1-216-845-91 s RES,	CHIP 100K (1608)
R327	1-216-821-91 s RES,	CHIP 1.0K (1608)
R328	1-216-845-91 s RES,	CHIP 100K (1608)
R329	1-216-829-91 s RES,	CHIP 4.7K (1608)
R330	1-216-825-91 s RES,	CHIP 2.2K (1608)
R331	1-216-839-91 s RES,	CHIP 36K (1608)
R332	1-216-841-91 s RES,	CHIP 47K (1608)
R333	1-216-833-91 s RES,	CHIP 10K (1608)
R334	1-216-833-91 s RES,	CHIP 10K (1608)
R335	1-216-841-91 s RES,	CHIP 47K (1608)
R336	1-216-837-91 s RES,	CHIP 22K (1608)
R337	1-216-833-91 s RES,	CHIP 10K (1608)
R338	1-216-833-91 s RES,	CHIP 10K (1608)
R339	1-216-841-91 s RES,	CHIP 47K (1608)
R340	1-216-827-91 s RES,	CHIP 3.3K (1608)
R341	1-216-817-91 s RES,	CHIP 470 (1608)
R342	1-218-859-91 s RES,	CHIP 3.3K (1608)
R343	1-216-809-91 s RES,	CHIP 100 (1608)
R344	1-218-861-91 s RES,	CHIP 3.9K (1608)
R345	1-218-857-91 s RES,	CHIP 2.7K (1608)
R346	1-216-827-91 s RES,	CHIP 3.3K (1608)
R347	1-216-827-91 s RES,	CHIP 3.3K (1608)
R348	1-218-855-91 s RES,	CHIP 2.2K (1608)
R349	1-218-887-91 s RES,	CHIP 47K (1608)
R350	1-216-833-91 s RES,	CHIP 10K (1608)
R351	1-216-835-91 s RES,	CHIP 15K (1608)
R352	1-216-829-91 s RES,	CHIP 4.7K (1608)
R353	1-216-841-91 s RES,	CHIP 47K (1608)
R354	1-216-829-91 s RES,	CHIP 4.7K (1608)
R355	1-216-835-91 s RES,	CHIP 15K (1608)
R356	1-216-841-91 s RES,	CHIP 47K (1608)
R357	1-216-835-91 s RES,	CHIP 15K (1608)
R358	1-216-829-91 s RES,	CHIP 4.7K (1608)

(GB BOARD)

Ref. No. or Q'ty	Part No.	SP Description
R359	1-216-841-91 s RES,	CHIP 47K (1608)
R360	1-216-841-91 s RES,	CHIP 47K (1608)
R371	1-208-838-91 s RES,	CHIP 220K (2012)
R372	1-208-838-91 s RES,	CHIP 220K (2012)
R373	1-208-838-91 s RES,	CHIP 220K (2012)
R374	1-208-838-91 s RES,	CHIP 220K (2012)
R375	1-208-830-91 s RES,	CHIP 100K (2012)
T301	Δ 1-437-301-41 s TRANSFORMER,	CONVERTER (PTT)
TH201	Δ 1-805-074-11 s THERMISTOR	

HA BOARD		

Ref. No. or Q'ty	Part No.	SP Description
CM11	1-820-297-11 o HEADER ASSEMBLY (PRINT PWB)	3P
D10	6-500-334-01 s DIODE MC2836-1112-1	
D11	6-500-335-01 s DIODE MC2838-1112-1	
R10	1-218-877-91 s RES,	CHIP 18K (1608)
R11	1-218-873-91 s RES,	CHIP 12K (1608)
R12	1-218-867-91 s RES,	CHIP 6.8K (1608)
R13	1-218-861-91 s RES,	CHIP 3.9K (1608)
R14	1-218-857-91 s RES,	CHIP 2.7K (1608)
R15	1-218-855-91 s RES,	CHIP 2.2K (1608)
R16	1-218-851-91 s RES,	CHIP 1.5K (1608)
R17	1-218-853-91 s RES,	CHIP 1.8K (1608)
S10	1-786-651-11 s TACTILE SWITCH	
S11	1-771-105-21 s SWITCH, TACTILE	
S12	1-771-105-21 s SWITCH, TACTILE	
S13	1-771-105-21 s SWITCH, TACTILE	

Ref. No. or Q'ty	Part No.	SP Description
HB BOARD		
1pc	A-1512-872-A	s MOUNTED CIRCUIT BOARD, HB
C20	1-114-325-11	s CAP, CERAMIC 0.1MF X7R 1608
CN20	1-820-299-11	s HEADER ASSEMBLY (PRINT PWB) 5P
D20	8-719-078-28	s DIODE SMD-010LT-T86
D21	8-719-045-51	s DIODE SRC2422C
D22	6-500-334-01	s DIODE MC2836-T112-1
D23	6-501-825-01	s DIODE MC2848-TP-1
D24	6-500-334-01	s DIODE MC2836-T112-1
D25	6-501-825-01	s DIODE MC2848-TP-1
Q20	6-551-817-01	s TR DNR52A3G0L50
Q21	6-551-817-01	s TR DNR52A3G0L50
Q22	6-551-817-01	s TR DNR52A3G0L50
R20	1-216-813-91	s RES, CHIP 220 (1608)
R21	1-216-809-91	s RES, CHIP 100 (1608)
R22	1-216-809-91	s RES, CHIP 100 (1608)
NF BOARD		

Ref. No. or Q'ty	Part No.	SP Description
1pc	A-1512-873-A	s MOUNTED CIRCUIT BOARD, NF
C30	1-100-909-11	s CAP, CERAMIC 10MF X5S 2012
CN30	1-820-180-11	s HEADER ASSEMBLY (PRINT PWB) 3P
IC30	6-710-071-01	s IC GP1UE26XK0VF
R30	1-216-805-91	s RES, CHIP 47 (1608)
R31	1-216-809-91	s RES, CHIP 100 (1608)

Ref. No. or Q'ty	Part No.	SP Description
QA BOARD		

1pc	*1:[VPL-HM10 (CN, SY, UC)]	
1pc	*2:[VPL-HM10 (J)]	
1pc	*3:[VPL-HM15 (SY, UC)]	
1pc	*4:[VPL-HM15 (J)]	
1pc	A-1563-847-A	s MOUNTED CIRCUIT BOARD, QA
1pc	A-1563-848-A	s MOUNTED CIRCUIT BOARD, QA
1pc	A-1739-749-A	s MOUNTED CIRCUIT BOARD, QA
1pc	A-1739-750-A	s MOUNTED CIRCUIT BOARD, QA
Ref. No. or Q'ty <th>Part No.</th> <th>SP Description</th>	Part No.	SP Description
1-780-638-22	s CONTACT TERMINAL	
C100	1-114-327-11	s CAP, CERAMIC 1MF X7R 1608
C102	1-112-781-11	s CAP, CERAMIC 1MF X7R 1608
C103	1-114-399-21	s CAP, ELECT 47MF
C104	1-100-916-11	s CAP, CERAMIC 0.1MF X7R 1005
C105	1-112-781-11	s CAP, CERAMIC 1MF X7R 1608
C106	1-112-781-11	s CAP, CERAMIC 1MF X7R 1608
C107	1-114-331-11	s CAP, CERAMIC 4.7MF X7R 2012
C108	1-114-331-11	s CAP, CERAMIC 4.7MF X7R 2012
C109	1-112-781-11	s CAP, CERAMIC 1MF X7R 1608
C110	1-100-916-11	s CAP, CERAMIC 0.1MF X7R 1005
C111	1-112-781-11	s CAP, CERAMIC 1MF X7R 1608
C112	1-112-781-11	s CAP, CERAMIC 1MF X7R 1608
C113	1-100-916-11	s CAP, CERAMIC 0.1MF X7R 1005
C114	1-164-866-81	s CAP, CHIP CERAMIC 47PF CH 10
C115	1-164-866-81	s CAP, CHIP CERAMIC 47PF CH 10
C116	1-100-916-11	s CAP, CERAMIC 0.1MF X7R 1005
C117	1-112-781-11	s CAP, CERAMIC 1MF X7R 1608
C118	1-100-916-11	s CAP, CERAMIC 0.1MF X7R 1005
C119	1-112-777-11	s CAP, CERAMIC 0.01MF X7R 1009
C120	1-112-777-11	s CAP, CERAMIC 0.01MF X7R 1009
C121	1-100-905-11	s CAP, CERAMIC1000PF X7R 1005
C122	1-112-777-11	s CAP, CERAMIC 0.01MF X7R 1009
C123	1-100-905-11	s CAP, CERAMIC1000PF X7R 1005
C124	1-100-916-11	s CAP, CERAMIC 0.1MF X7R 1005
C125	1-112-781-11	s CAP, CERAMIC 1MF X7R 1608
C126	1-112-781-11	s CAP, CERAMIC 1MF X7R 1608
C127	1-112-781-11	s CAP, CERAMIC 1MF X7R 1608
C128	1-114-400-21	s CAP, ELECT 100NF
C129	1-112-777-11	s CAP, CERAMIC 0.01MF X7R 1009
C130	1-112-781-11	s CAP, CERAMIC 1MF X7R 1608
C131	1-164-850-81	s CAP, CHIP CERAMIC 10PF CH 10
C132	1-100-916-11	s CAP, CERAMIC 0.1MF X7R 1005
C133	1-164-866-81	s CAP, CHIP CERAMIC 47PF CH 10
C134	1-100-916-11	s CAP, CERAMIC 0.1MF X7R 1005
C135	1-164-866-81	s CAP, CHIP CERAMIC 47PF CH 10
C136	1-100-916-11	s CAP, CERAMIC 0.1MF X7R 1005
C137	1-100-916-11	s CAP, CERAMIC 0.1MF X7R 1005
C138	1-100-916-11	s CAP, CERAMIC 0.1MF X7R 1005
C139	1-100-916-11	s CAP, CERAMIC 0.1MF X7R 1005
C140	1-112-777-11	s CAP, CERAMIC 0.01MF X7R 1009
C202	1-114-399-21	s CAP, ELECT 47MF
C203	1-114-399-21	s CAP, ELECT 47MF
C204	1-100-916-11	s CAP, CERAMIC 0.1MF X7R 1005
C205	1-100-916-11	s CAP, CERAMIC 0.1MF X7R 1005
C206	1-100-916-11	s CAP, CERAMIC 0.1MF X7R 1005
C207	1-100-916-11	s CAP, CERAMIC 0.1MF X7R 1005
C208	1-112-777-11	s CAP, CERAMIC 0.01MF X7R 1009
C209	1-112-777-11	s CAP, CERAMIC 0.01MF X7R 1009
C210	1-112-777-11	s CAP, CERAMIC 0.01MF X7R 1009

(QA BOARD)

Ref. No.
or Q'ty

Part No. SP Description

C211	1-112-777-11 s CAP, CERAMIC 0.01MF XTR 1005
C212	1-112-777-11 s CAP, CERAMIC 0.01MF XTR 1005
C213	1-112-777-11 s CAP, CERAMIC 0.01MF XTR 1005
C214	1-112-777-11 s CAP, CERAMIC 0.01MF XTR 1005
C215	1-112-777-11 s CAP, CERAMIC 0.01MF XTR 1005
C216	1-100-916-11 s CAP, CERAMIC 0.1MF XTR 1005
C217	1-100-916-11 s CAP, CERAMIC 0.1MF XTR 1005
C218	1-112-777-11 s CAP, CERAMIC 0.01MF XTR 1005
C219	1-112-777-11 s CAP, CERAMIC 0.01MF XTR 1005
C220	1-100-916-11 s CAP, CERAMIC 0.1MF XTR 1005
C225	1-100-916-11 s CAP, CERAMIC 0.1MF XTR 1005
C221	1-100-916-11 s CAP, CERAMIC 0.1MF XTR 1005
C222	1-114-399-21 s CAP, ELECT 47MF
C223	1-112-777-11 s CAP, CERAMIC 0.01MF XTR 1005
C224	1-112-777-11 s CAP, CERAMIC 0.01MF XTR 1005
C225	1-100-916-11 s CAP, CERAMIC 0.1MF XTR 1005
C226	1-100-916-11 s CAP, CERAMIC 0.1MF XTR 1005
C227	1-100-916-11 s CAP, CERAMIC 0.1MF XTR 1005
C228	1-100-909-11 s CAP, CERAMIC 10MF X65 2012
C229	1-100-916-11 s CAP, CERAMIC 0.1MF XTR 1005
C230	1-100-909-11 s CAP, CERAMIC 10MF X65 2012
C231	1-164-890-81 s CAP, CHIP CERAMIC 10PF CH 1005
C232	1-100-916-11 s CAP, CERAMIC 0.1MF XTR 1005
C233	1-100-916-11 s CAP, CERAMIC 0.1MF XTR 1005
C234	1-100-916-11 s CAP, CERAMIC 0.1MF XTR 1005
C235	1-100-916-11 s CAP, CERAMIC 0.1MF XTR 1005
C236	1-164-890-81 s CAP, CHIP CERAMIC 10PF CH 1005
C300	1-114-325-11 s CAP, CERAMIC 0.1MF XTR 1608
C301	1-114-325-11 s CAP, CERAMIC 0.1MF XTR 1608
C302	1-114-325-11 s CAP, CERAMIC 0.1MF XTR 1608
C303	1-114-325-11 s CAP, CERAMIC 0.1MF XTR 1608
C304	1-114-325-11 s CAP, CERAMIC 0.1MF XTR 1608
C305	1-114-325-11 s CAP, CERAMIC 0.1MF XTR 1608
C306	1-114-325-11 s CAP, CERAMIC 0.1MF XTR 1608
C307	1-114-325-11 s CAP, CERAMIC 0.1MF XTR 1608
C308	1-100-916-11 s CAP, CERAMIC 0.1MF XTR 1005
C309	1-100-916-11 s CAP, CERAMIC 0.1MF XTR 1005
C310	1-100-916-11 s CAP, CERAMIC 0.1MF XTR 1005
C311	1-100-916-11 s CAP, CERAMIC 0.1MF XTR 1005
C312	1-114-325-11 s CAP, CERAMIC 0.1MF XTR 1608
C313	1-100-916-11 s CAP, CERAMIC 0.1MF XTR 1005
C314	1-114-325-11 s CAP, CERAMIC 0.1MF XTR 1608
C315	1-114-325-11 s CAP, CERAMIC 0.1MF XTR 1608
C316	1-100-916-11 s CAP, CERAMIC 0.1MF XTR 1005
C317	1-100-916-11 s CAP, CERAMIC 0.1MF XTR 1005
C318	1-100-916-11 s CAP, CERAMIC 0.1MF XTR 1005
C319	1-100-916-11 s CAP, CERAMIC 0.1MF XTR 1005
C320	1-100-916-11 s CAP, CERAMIC 0.1MF XTR 1005
C321	1-100-916-11 s CAP, CERAMIC 0.1MF XTR 1005
C322	1-100-916-11 s CAP, CERAMIC 0.1MF XTR 1005
C323	1-100-916-11 s CAP, CERAMIC 0.1MF XTR 1005
C324	1-100-916-11 s CAP, CERAMIC 0.1MF XTR 1005
C325	1-100-909-11 s CAP, CERAMIC 10MF X65 2012
C326	1-100-916-11 s CAP, CERAMIC 0.1MF XTR 1005
C327	1-100-916-11 s CAP, CERAMIC 0.1MF XTR 1005
C328	1-100-916-11 s CAP, CERAMIC 0.1MF XTR 1005
C329	1-100-916-11 s CAP, CERAMIC 0.1MF XTR 1005
C330	1-100-916-11 s CAP, CERAMIC 0.1MF XTR 1005
C331	1-100-916-11 s CAP, CERAMIC 0.1MF XTR 1005
C332	1-100-916-11 s CAP, CERAMIC 0.1MF XTR 1005

(QA BOARD)

Ref. No.
or Q'ty

Part No. SP Description

C333	1-100-916-11 s CAP, CERAMIC 0.1MF XTR 1005
C334	1-100-916-11 s CAP, CERAMIC 0.1MF XTR 1005
C335	1-100-916-11 s CAP, CERAMIC 0.1MF XTR 1005
C336	1-100-916-11 s CAP, CERAMIC 0.1MF XTR 1005
C337	1-100-916-11 s CAP, CERAMIC 0.1MF XTR 1005
C338	1-100-916-11 s CAP, CERAMIC 0.1MF XTR 1005
C339	1-100-916-11 s CAP, CERAMIC 0.1MF XTR 1005
C340	1-100-916-11 s CAP, CERAMIC 0.1MF XTR 1005
C341	1-100-916-11 s CAP, CERAMIC 0.1MF XTR 1005
C342	1-100-916-11 s CAP, CERAMIC 0.1MF XTR 1005
C343	1-100-909-11 s CAP, CERAMIC 10MF X65 2012
C344	1-100-909-11 s CAP, CERAMIC 10MF X65 2012
C345	1-100-909-11 s CAP, CERAMIC 10MF X65 2012
C346	1-100-909-11 s CAP, CERAMIC 10MF X65 2012
C347	1-100-909-11 s CAP, CERAMIC 10MF X65 2012
C348	1-100-909-11 s CAP, CERAMIC 10MF X65 2012
C349	1-100-909-11 s CAP, CERAMIC 10MF X65 2012
C350	1-100-909-11 s CAP, CERAMIC 10MF X65 2012
C351	1-100-909-11 s CAP, CERAMIC 10MF X65 2012
C352	1-100-909-11 s CAP, CERAMIC 10MF X65 2012
C353	1-100-909-11 s CAP, CERAMIC 10MF X65 2012
C354	1-164-850-81 s CAP, CHIP CERAMIC 10PF CH 1005
C355	1-164-850-81 s CAP, CHIP CERAMIC 10PF CH 1005
C356	1-100-916-11 s CAP, CERAMIC 0.1MF XTR 1005
C357	1-100-916-11 s CAP, CERAMIC 0.1MF XTR 1005
C358	1-100-916-11 s CAP, CERAMIC 0.1MF XTR 1005
C400	1-112-777-11 s CAP, CERAMIC 220PF XTR 1005
C401	1-112-777-11 s CAP, CERAMIC 0.01MF XTR 1005
C402	1-164-874-81 s CAP, CHIP CERAMIC 100PF CH 1005
C403	1-164-874-81 s CAP, CHIP CERAMIC 100PF CH 1005
C408	1-112-068-11 s CAP, CERAMIC 220PF XTR 1005
C409	1-100-916-11 s CAP, CERAMIC 0.1MF XTR 1005
C410	1-100-905-11 s CAP, CERAMIC1000PF XTR 1005
C411	1-100-909-11 s CAP, CERAMIC 10MF X65 2012
C412	1-100-905-11 s CAP, CERAMIC1000PF XTR 1005
C414	1-137-942-21 s CAP, ELECT 47MF (6.3X5.4)
C418	1-114-326-11 s CAP, CERAMIC 0.22MF XTR 1608
C419	1-114-325-11 s CAP, CERAMIC 0.1MF XTR 1608
C420	1-114-325-11 s CAP, CERAMIC 0.1MF XTR 1608
C427	1-100-921-21 s CAP, ELECT 220MF (6.3X5.9)
C428	1-112-781-11 s CAP, CERAMIC 1MF XTR 1608
C429	1-114-331-11 s CAP, CERAMIC 4.7MF XTR 2012
C430	1-112-777-11 s CAP, CERAMIC 0.01MF XTR 1005
C431	1-164-874-81 s CAP, CHIP CERAMIC 100PF CH 1005
C432	1-112-777-11 s CAP, CERAMIC 0.01MF XTR 1005
C433	1-112-777-11 s CAP, CERAMIC 0.01MF XTR 1005
C434	1-164-874-81 s CAP, CHIP CERAMIC 100PF CH 1005
C435	1-112-777-11 s CAP, CERAMIC 0.01MF XTR 1005
C436	1-164-874-81 s CAP, CHIP CERAMIC 100PF CH 1005
C437	1-112-777-11 s CAP, CERAMIC 0.01MF XTR 1005
C438	1-164-874-81 s CAP, CHIP CERAMIC 100PF CH 1005

Ref. No. or Q'ty	Part No.	SP Description
C620	1-112-781-11 s CAP	CERAMIC 1MF XTR 1608
C621	1-112-781-11 s CAP	CERAMIC 1MF XTR 1608
C622	1-112-781-11 s CAP	CERAMIC 1MF XTR 1608
C623	1-112-781-11 s CAP	CERAMIC 1MF XTR 1608
C624	1-100-916-11 s CAP	CERAMIC 0.1MF XTR 1005
C625	1-100-916-11 s CAP	CERAMIC 0.1MF XTR 1005
C626	1-112-781-11 s CAP	CERAMIC 1MF XTR 1608
C627	1-100-912-11 s CAP	CERAMIC 1.0MF XTR (2012)
C629	1-137-942-21 s CAP	ELECT 47MF (6.3X5.4)
C631	1-112-781-11 s CAP	CERAMIC 1MF XTR 1608
C703	1-100-916-11 s CAP	CERAMIC 0.1MF XTR 1005
C710	1-100-916-11 s CAP	CERAMIC 0.1MF XTR 1005
C711	1-100-916-11 s CAP	CERAMIC 0.1MF XTR 1005
C712	1-114-325-11 s CAP	CERAMIC 0.1MF XTR 1608
C713	1-114-325-11 s CAP	CERAMIC 0.1MF XTR 1608
C714	1-100-916-11 s CAP	CERAMIC 0.1MF XTR 1005
C715	1-114-325-11 s CAP	CERAMIC 0.1MF XTR 1608
C716	1-114-325-11 s CAP	CERAMIC 0.1MF XTR 1608
C717	1-100-916-11 s CAP	CERAMIC 0.1MF XTR 1005
C718	1-100-916-11 s CAP	CERAMIC 0.1MF XTR 1005
C719	1-100-909-11 s CAP	CERAMIC 10MF X68 2012
C720	1-100-916-11 s CAP	CERAMIC 0.1MF XTR 1005
C721	1-100-916-11 s CAP	CERAMIC 0.1MF XTR 1005
C722	1-100-916-11 s CAP	CERAMIC 0.1MF XTR 1005
C723	1-164-850-81 s CAP	CHIP CERAMIC 10PF CH 1005
C724	1-100-916-11 s CAP	CERAMIC 0.1MF XTR 1005
C725	1-100-916-11 s CAP	CERAMIC 0.1MF XTR 1005
C726	1-164-850-81 s CAP	CHIP CERAMIC 10PF CH 1005
C727	1-100-916-11 s CAP	CERAMIC 0.1MF XTR 1005
C728	1-100-916-11 s CAP	CERAMIC 0.1MF XTR 1005
C729	1-100-905-11 s CAP	CERAMIC1000PF XTR 1005
C730	1-100-916-11 s CAP	CERAMIC 0.1MF XTR 1005
C731	1-100-916-11 s CAP	CERAMIC 0.1MF XTR 1005
C732	1-100-916-11 s CAP	CERAMIC 0.1MF XTR 1005
C733	1-100-916-11 s CAP	CERAMIC 0.1MF XTR 1005
C800	1-100-916-11 s CAP	CERAMIC 0.1MF XTR 1005
C801	1-100-916-11 s CAP	CERAMIC 0.1MF XTR 1005
C803	1-100-916-11 s CAP	CERAMIC 0.1MF XTR 1005
C804	1-100-916-11 s CAP	CERAMIC 0.1MF XTR 1005
C805	1-114-325-11 s CAP	CERAMIC 0.1MF XTR 1608
C806	1-114-325-11 s CAP	CERAMIC 0.1MF XTR 1608
C808	1-114-325-11 s CAP	CERAMIC 0.1MF XTR 1608
C809	1-114-325-11 s CAP	CERAMIC 0.1MF XTR 1608
C810	1-137-942-21 s CAP	ELECT 47MF (6.3X5.4)
C811	1-137-942-21 s CAP	ELECT 47MF (6.3X5.4)
C813	1-137-942-21 s CAP	ELECT 47MF (6.3X5.4)
C814	1-137-942-21 s CAP	ELECT 47MF (6.3X5.4)
C815	1-114-325-11 s CAP	CERAMIC 0.1MF XTR 1608
C816	1-114-325-11 s CAP	CERAMIC 0.1MF XTR 1608
C817	1-114-325-11 s CAP	CERAMIC 0.1MF XTR 1608
C819	1-114-325-11 s CAP	CERAMIC 0.1MF XTR 1608
C820	1-112-781-11 s CAP	CERAMIC 1MF XTR 1608
C821	1-112-781-11 s CAP	CERAMIC 1MF XTR 1608
C823	1-112-781-11 s CAP	CERAMIC 1MF XTR 1608
C824	1-112-781-11 s CAP	CERAMIC 1MF XTR 1608
C900	1-100-916-11 s CAP	CERAMIC 0.1MF XTR 1005
C901	1-100-916-11 s CAP	CERAMIC 0.1MF XTR 1005
C902	1-100-912-11 s CAP	CERAMIC 1.0MF XTR (2012)
C903	1-100-916-11 s CAP	CERAMIC 0.1MF XTR 1005

(QA BOARD)

Ref. No. or Q'ty	Part No.	SP Description
C904	1-114-324-11 s CAP	CERAMIC 10MF XTR 3225
C905	1-100-916-11 s CAP	CERAMIC 0.1MF XTR 1005
C906	1-100-916-11 s CAP	CERAMIC 0.1MF XTR 1005
C907	1-112-777-11 s CAP	CERAMIC 0.01MF XTR 1005
C908	1-112-777-11 s CAP	CERAMIC 0.01MF XTR 1005
C909	1-112-777-11 s CAP	CERAMIC 0.01MF XTR 1005
C910	1-112-777-11 s CAP	CERAMIC 0.01MF XTR 1005
C911	1-100-916-11 s CAP	CERAMIC 0.1MF XTR 1005
C912	1-100-916-11 s CAP	CERAMIC 0.1MF XTR 1005
C913	1-164-874-81 s CAP	CHIP CERAMIC 100PF CH 1005
C914	1-112-777-11 s CAP	CERAMIC 0.01MF XTR 1005
C915	1-164-874-81 s CAP	CHIP CERAMIC 100PF CH 1005
CN100	1-794-930-21 s CONNECTOR	D SUB
CN101	1-819-888-11 s S TERMINAL	
CN200	1-818-086-21 s HDMI CONNECTOR	
CN201	1-821-398-11 s HDMI CONNECTOR	
CN300	1-821-391-11 s CONNECTOR (RECEPTACLE)INDS)51P	
CN401	1-819-460-11 s HEADER ASSEMBLY FOR PWM 4P	
CN602	1-820-294-11 o HEADER ASSEMBLY (PRINT PWM)15P	
CN605	1-820-299-11 s HEADER ASSEMBLY (PRINT PWM) 5P	
CN700	1-820-294-11 o HEADER ASSEMBLY (PRINT PWM)15P	
CN703	1-820-186-11 s HEADER ASSEMBLY (PRINT PWM) 9P	
CN704	1-820-187-11 s HEADER ASSEMBLY (PRINT PWM)10P	
CN705	1-820-181-11 s HEADER ASSEMBLY (PRINT PWM) 4P	
CN800	1-819-335-11 o HEADER ASSEMBLY FOR PWM 3P	
CN801	1-819-335-11 s HEADER ASSEMBLY FOR PWM 3P	
CN900	1-820-287-11 o HEADER ASSEMBLY (PRINT PWM) 8P	
D106	6-501-825-01 s DIODE MC2848-TP-1	
D107	6-502-123-01 s DI MA3J1470G1S0	
D108	6-502-123-01 s DI MA3J1470G1S0	
D109	6-502-123-01 s DI MA3J1470G1S0	
D205	*1*2 8-719-056-48 s DIODE 1SS388(TP)3J	
D206	*3*4 6-502-150-01 s DI MA2SD320G8S0	
D207	6-502-150-01 s DI MA2SD320G8S0	
D208	6-501-825-01 s DIODE MC2848-TP-1	
D209	6-501-825-01 s DIODE MC2848-TP-1	
D301	6-502-123-01 s DI MA3J1470G1S0	
D302	6-502-123-01 s DI MA3J1470G1S0	
D303	6-502-123-01 s DI MA3J1470G1S0	
D304	6-502-123-01 s DI MA3J1470G1S0	
D305	6-502-123-01 s DI MA3J1470G1S0	
D306	6-502-123-01 s DI MA3J1470G1S0	
D307	6-502-123-01 s DI MA3J1470G1S0	
D400	*1*2 8-719-056-48 s DIODE 1SS388(TP)3J	
D401	*3*4 6-502-150-01 s DI MA2SD320G8S0	
D402	*1*2 8-719-056-48 s DIODE 1SS388(TP)3J	
D403	*3*4 6-502-150-01 s DI MA2SD320G8S0	
D404	6-501-817-01 s DI MA2SD320G8S0	
D405	6-501-817-01 s DI MA2J1110G1S0	
D406	6-501-817-01 s DIODE MA2J1110G1S0	
D407	6-501-789-01 s DIODE MA28270601S0	
D701	6-502-123-01 s DI MA3J1470G1S0	
D702	6-501-789-01 s DIODE MA28270601S0	
D703	6-501-789-01 s DIODE MA28270601S0	

(QA BOARD)

(QA BOARD)

Ref. No. or Q'ty	Part No.	SP Description
D704	6-502-123-01 s DI MA3J1470GJ50	
D705	6-501-789-01 s DIODE MA28270GJ50	
D706	6-500-334-01 s DIODE MC2836-112-1	
D800	6-501-817-01 s DIODE MA201110GJ50	
D801	6-501-817-01 s DIODE MA201110GJ50	
D803	6-501-817-01 s DIODE MA201110GJ50	
D804	6-501-817-01 s DIODE MA201110GJ50	
D901	6-502-123-01 s DI MA3J1470GJ50	
D902	6-502-123-01 s DI MA3J1470GJ50	
D903	6-502-123-01 s DI MA3J1470GJ50	
ET501	1-780-317-11 s TERMINAL	
ET502	1-780-317-11 s TERMINAL	
ET503	1-780-317-11 s TERMINAL	
ET801	1-780-317-11 s TERMINAL	
ET802	1-780-317-11 s TERMINAL	
FB100	1-400-331-21 s FERRITE, EMI (SMD) (1005)	
FB101	1-400-331-21 s FERRITE, EMI (SMD) (1005)	
FB102	1-400-331-21 s FERRITE, EMI (SMD) (1005)	
FB200	1-400-331-21 s FERRITE, EMI (SMD) (1005)	
FB201	1-400-331-21 s FERRITE, EMI (SMD) (1005)	
FB202	1-400-331-21 s FERRITE, EMI (SMD) (1005)	
FB203	1-400-331-21 s FERRITE, EMI (SMD) (1005)	
FB204	1-400-331-21 s FERRITE, EMI (SMD) (1005)	
FB205	1-400-331-21 s FERRITE, EMI (SMD) (1005)	
FB206	1-400-331-21 s FERRITE, EMI (SMD) (1005)	
FB207	1-400-331-21 s FERRITE, EMI (SMD) (1005)	
FB300	1-400-331-21 s FERRITE, EMI (SMD) (1005)	
FB301	1-400-331-21 s FERRITE, EMI (SMD) (1005)	
FB302	1-400-331-21 s FERRITE, EMI (SMD) (1005)	
FB304	1-400-331-21 s FERRITE, EMI (SMD) (1005)	
FB305	1-400-331-21 s FERRITE, EMI (SMD) (1005)	
FB306	1-400-331-21 s FERRITE, EMI (SMD) (1005)	
FB400	1-400-177-21 s INDUCTOR, EMI FERRITE (1608)	
FB405	1-400-177-21 s INDUCTOR, EMI FERRITE (1608)	
FB407	1-400-180-21 s INDUCTOR, EMI FERRITE (1608)	
FB408	1-400-180-21 s INDUCTOR, EMI FERRITE (1608)	
FB409	1-400-180-21 s INDUCTOR, EMI FERRITE (1608)	
FB500	1-400-331-21 s FERRITE, EMI (SMD) (1005)	
FB501	1-400-180-21 s INDUCTOR, EMI FERRITE (1608)	
FB502	1-400-180-21 s INDUCTOR, EMI FERRITE (1608)	
FB503	1-400-331-21 s FERRITE, EMI (SMD) (1005)	
FB600	1-400-331-21 s FERRITE, EMI (SMD) (1005)	
FB601	1-400-331-21 s FERRITE, EMI (SMD) (1005)	
FB602	1-400-331-21 s FERRITE, EMI (SMD) (1005)	
FB603	1-400-331-21 s FERRITE, EMI (SMD) (1005)	
FB604	1-400-331-21 s FERRITE, EMI (SMD) (1005)	
FB605	1-400-331-21 s FERRITE, EMI (SMD) (1005)	
FB606	1-400-331-21 s FERRITE, EMI (SMD) (1005)	
FB607	1-400-331-21 s FERRITE, EMI (SMD) (1005)	
FB608	1-400-331-21 s FERRITE, EMI (SMD) (1005)	
FB609	1-400-331-21 s FERRITE, EMI (SMD) (1005)	
FB610	1-400-331-21 s FERRITE, EMI (SMD) (1005)	
FB611	1-400-331-21 s FERRITE, EMI (SMD) (1005)	
FB612	1-400-331-21 s FERRITE, EMI (SMD) (1005)	
FB613	1-400-331-21 s FERRITE, EMI (SMD) (1005)	
FB614	1-400-331-21 s FERRITE, EMI (SMD) (1005)	
FB615	1-400-331-21 s FERRITE, EMI (SMD) (1005)	
FB616	1-400-331-21 s FERRITE, EMI (SMD) (1005)	
FB617	1-400-331-21 s FERRITE, EMI (SMD) (1005)	

(QA BOARD)

Ref. No. or Q'ty	Part No.	SP Description
FB700	1-400-331-21 s FERRITE, EMI (SMD) (1005)	
FB701	1-400-331-21 s FERRITE, EMI (SMD) (1005)	
FB702	1-400-331-21 s FERRITE, EMI (SMD) (1005)	
FB704	1-400-331-21 s FERRITE, EMI (SMD) (1005)	
FB705	1-400-331-21 s FERRITE, EMI (SMD) (1005)	
FB706	1-400-331-21 s FERRITE, EMI (SMD) (1005)	
FB707	1-400-331-21 s FERRITE, EMI (SMD) (1005)	
FB709	1-400-331-21 s FERRITE, EMI (SMD) (1005)	
FB710	1-400-331-21 s FERRITE, EMI (SMD) (1005)	
FB711	1-400-331-21 s FERRITE, EMI (SMD) (1005)	
FB712	1-400-331-21 s FERRITE, EMI (SMD) (1005)	
FB713	1-400-331-21 s FERRITE, EMI (SMD) (1005)	
FB714	1-400-331-21 s FERRITE, EMI (SMD) (1005)	
FB715	1-400-331-21 s FERRITE, EMI (SMD) (1005)	
FB717	1-400-331-21 s FERRITE, EMI (SMD) (1005)	
FB718	1-400-331-21 s FERRITE, EMI (SMD) (1005)	
FB719	1-400-331-21 s FERRITE, EMI (SMD) (1005)	
FB720	1-400-331-21 s FERRITE, EMI (SMD) (1005)	
FB721	1-400-331-21 s FERRITE, EMI (SMD) (1005)	
FB722	1-400-331-21 s FERRITE, EMI (SMD) (1005)	
FB801	1-400-331-21 s FERRITE, EMI (SMD) (1005)	
FB802	1-400-331-21 s FERRITE, EMI (SMD) (1005)	
FB803	1-400-331-21 s FERRITE, EMI (SMD) (1005)	
FB805	1-400-180-21 s INDUCTOR, EMI FERRITE (1608)	
FB806	1-400-331-21 s FERRITE, EMI (SMD) (1005)	
FB807	1-400-180-21 s INDUCTOR, EMI FERRITE (1608)	
FB808	1-400-180-21 s INDUCTOR, EMI FERRITE (1608)	
FB809	1-400-180-21 s INDUCTOR, EMI FERRITE (1608)	
FB900	1-400-331-21 s FERRITE, EMI (SMD) (1005)	
FB901	1-400-331-21 s FERRITE, EMI (SMD) (1005)	
FB902	1-400-331-21 s FERRITE, EMI (SMD) (1005)	
FB903	1-400-331-21 s FERRITE, EMI (SMD) (1005)	
FB904	1-400-331-21 s FERRITE, EMI (SMD) (1005)	
FB905	1-400-331-21 s FERRITE, EMI (SMD) (1005)	
FB906	1-400-331-21 s FERRITE, EMI (SMD) (1005)	
FB907	1-400-331-21 s FERRITE, EMI (SMD) (1005)	
FL401	1-234-494-21 s FILTER, EMI REMOVAL (SMD)	
FL500	1-234-494-21 s FILTER, EMI REMOVAL (SMD)	
IC100	6-711-116-01 s IC NCM2878F3-05 (TE2)	
IC101	*1*2 6-710-820-01 s IC S-24CS02ARF-TB-G	
IC102	*3*4 6-704-600-01 s IC M24C02-WM6T(B)	
IC103	*3*4 6-712-706-01 s IC 74VNC125APW-118	
IC104	6-703-623-01 s IC MM1503NNE	
IC105	6-709-172-01 s IC TB8201P	
IC106	6-703-225-01 s IC S-80928CNGC-G8RT7G	
IC200	6-711-324-01 s IC CXP9924GB-30L	
IC201	*3*4 6-710-820-01 s IC S-24CS02ARF-TB-G	
IC202	*3*4 6-704-600-01 s IC M24C02-WM6T(B)	
IC203	*1*2 6-710-820-01 s IC S-24CS02ARF-TB-G	
IC204	*3*4 6-704-600-01 s IC M24C02-WM6T(B)	
IC205	8-758-758-01 s IC PCA9517DP-118	
IC206	6-708-158-01 s IC PCA9517DP-118	
IC300	8-759-596-34 s IC SN74V4053APWR	
IC301	6-708-603-01 s IC P0070XNA1ZSH	
IC302	6-808-330-01 s IC IC4032V-75N48QA1353-1C	

Ref. No. or Q Ty	Part No.	SP Description
IC400	6-703-225-01 s IC S-809280NMC-G8Y7Z6	
IC401	6-708-603-01 s IC P0070XMA1ZBH	
IC402	6-707-386-01 s IC LTC3278LCIHTPR-R5	
IC404	6-703-225-01 s IC S-809280NMC-G8Y7Z6	
IC500	6-709-555-01 s IC NTS0516M16CS-9T	
IC501	6-709-555-01 s IC NTS0516M16CS-9T	
IC600	6-703-225-01 s IC S-809280NMC-G8Y7Z6	
IC601	6-708-301-01 s IC LTC4310A-20MS8HTR	
IC602	6-710-121-01 s IC M24256-BWM66TP(A)	
IC603	6-709-555-01 s IC NTS0516M16CS-9T	
*1*2	6-808-331-01 s IC MK291V160CTT1-706-9112PW	
*3*4	6-714-742-01 s IC MK291V160CTT1-706-962PW	
IC604	6-711-116-01 s IC NDM2878F3-05 (TE2)	
IC702	6-706-482-01 s IC TC7SH00FU(TSR80YUF)	
IC703	6-712-418-01 s IC 74AHC125PW-118	
IC704	6-710-361-01 s IC 74VHC2666DC-125	
IC705	6-706-923-01 s IC MAX3222IDBR	
IC706	6-702-688-01 s IC M24C64-WM6T(B)	
IC707	6-710-094-01 s IC HD64F2365VTE34SNV	
IC708	6-703-225-01 s IC S-809280NMC-G8Y7Z6	
IC709	6-707-950-01 s IC S-89530ACMC-HC8FT9	
IC800	6-706-740-01 s IC BA00BCOMP-E2	
IC801	6-706-740-01 s IC BA00BCOMP-E2	
IC803	6-706-740-01 s IC BA00BCOMP-E2	
IC804	6-706-740-01 s IC BA00BCOMP-E2	
IC900	6-708-762-01 s IC P200MNA1ZBH	
IC901	8-759-337-40 s IC NDM2904V(TE2)	
IC902	8-759-337-40 s IC NDM2904V(TE2)	
IC903	8-759-646-99 s IC NDM4556AV(TE2)	
J100	1-819-886-11 s JACK, PIN 3P	
J101	1-819-887-11 s JACK, PIN 1P	
L100	1-469-555-21 s INDUCTOR, CHIP 100H (LB2016)	
L200	1-469-553-21 s INDUCTOR, CHIP 4.70H (LB2016)	
L201	1-469-553-21 s INDUCTOR, CHIP 4.70H (LB2016)	
L202	1-469-555-21 s INDUCTOR, CHIP 100H (LB2016)	
L300	1-469-555-21 s INDUCTOR, CHIP 100H (LB2016)	
L301	1-469-555-21 s INDUCTOR, CHIP 100H (LB2016)	
L302	1-469-555-21 s INDUCTOR, CHIP 100H (LB2016)	
L303	1-469-555-21 s INDUCTOR, CHIP 100H (LB2016)	
L304	1-469-555-21 s INDUCTOR, CHIP 100H (LB2016)	
L305	1-469-549-21 s INDUCTOR, CHIP 1.00H (LB2016)	
L306	1-469-555-21 s INDUCTOR, CHIP 100H (LB2016)	
L400	1-457-497-11 s COIL, CHOKE (SMD)	
L401	1-457-497-11 s COIL, CHOKE (SMD)	
L600	1-469-549-21 s INDUCTOR, CHIP 1.00H (LB2016)	
L601	1-469-549-21 s INDUCTOR, CHIP 1.00H (LB2016)	
Q100	6-551-387-01 s TRANSISTOR SSM6N16FU	
Q101	6-551-387-01 s TRANSISTOR SSM6N16FU	
Q102	6-551-817-01 s TR UMR52A3G0L50	
Q103	6-551-817-01 s TR UMR52A3G0L50	
Q104	6-551-776-01 s TR 28C5950G0L50	
Q105	6-551-387-01 s TRANSISTOR SSM6N16FU	
Q106	6-551-387-01 s TRANSISTOR SSM6N16FU	
Q107	6-551-775-01 s TR 2SA2122G0L50	
Q108	6-551-775-01 s TR 2SA2122G0L50	
Q109	6-551-776-01 s TR 28C5950G0L50	
Q110	6-551-775-01 s TR 2SA2122G0L50	
Q111	6-551-775-01 s TR 2SA2122G0L50	
Q112	6-551-387-01 s TRANSISTOR SSM6N16FU	
Q200	6-551-817-01 s TR UMR52A3G0L50	

(QA BOARD)

Ref. No. or Q Ty	Part No.	SP Description
Q201	6-551-817-01 s TR UMR52A3G0L50	
Q202	6-551-817-01 s TR UMR52A3G0L50	
Q203	6-551-776-01 s TR 28C5950G0L50	
Q206	6-551-776-01 s TR 28C5950G0L50	
Q207	6-550-765-01 s TRANSISTOR SSM3K16FS (TE85L)	
Q208	6-550-765-01 s TRANSISTOR SSM3K16FS (TE85L)	
Q209	6-551-387-01 s TRANSISTOR SSM6N16FU	
Q210	6-551-387-01 s TRANSISTOR SSM6N16FU	
Q211	6-551-775-01 s TR 2SA2122G0L50	
Q212	6-551-387-01 s TRANSISTOR SSM6N16FU	
Q213	6-551-387-01 s TRANSISTOR SSM6N16FU	
Q214	6-551-817-01 s TR UMR52A3G0L50	
Q215	6-551-817-01 s TR UMR52A3G0L50	
Q216	6-551-387-01 s TRANSISTOR SSM6N16FU	
Q217	6-551-387-01 s TRANSISTOR SSM6N16FU	
Q218	6-551-387-01 s TRANSISTOR SSM6N16FU	
Q219	6-551-387-01 s TRANSISTOR SSM6N16FU	
Q220	6-551-387-01 s TRANSISTOR SSM6N16FU	
Q221	*1*2 6-551-387-01 s TRANSISTOR SSM6N16FU	
Q222	6-551-817-01 s TR UMR52A3G0L50	
Q223	6-551-817-01 s TR UMR52A3G0L50	
Q400	6-709-438-01 s TRANSISTOR PDS6986AS	
Q401	6-709-438-01 s TRANSISTOR PDS6986AS	
Q402	6-551-817-01 s TR UMR52A3G0L50	
Q403	6-551-817-01 s TR UMR52A3G0L50	
Q406	6-551-817-01 s TR UMR52A3G0L50	
*1*2	6-550-354-01 s TRANSISTOR RTU035502TR	
*3*4	6-550-828-01 s TRANSISTOR RS0035503TR	
Q600	6-551-775-01 s TR 2SA2122G0L50	
Q601	6-551-321-01 s TRANSISTOR RT3WMM-TP-1F	
Q602	6-551-817-01 s TR UMR52A3G0L50	
Q603	6-551-817-01 s TR UMR52A3G0L50	
Q604	6-551-817-01 s TR UMR52A3G0L50	
Q606	6-551-817-01 s TR UMR52A3G0L50	
Q700	6-551-387-01 s TRANSISTOR SSM6N16FU	
Q701	6-551-321-01 s TR 28C5950G0L50	
Q702	6-551-776-01 s TRANSISTOR RT3WMM-TP-1F	
Q805	6-551-817-01 s TR UMR52A3G0L50	
Q806	6-551-817-01 s TR UMR52A3G0L50	
Q808	6-551-817-01 s TR UMR52A3G0L50	
Q809	1-218-990-81 s CONDUCTOR, RT3WMM-TP-1F	
Q810	6-551-321-01 s TRANSISTOR RT3WMM-TP-1F	
Q812	6-551-817-01 s TR UMR52A3G0L50	
Q813	6-551-817-01 s TRANSISTOR RT3WMM-TP-1F	
Q900	6-551-776-01 s TR 28C5950G0L50	
R100	1-218-990-81 s CONDUCTOR, CHIP (1005)	
R101	1-218-990-81 s CONDUCTOR, CHIP (1005)	
R102	1-218-937-81 s RES, CHIP 47	
R103	1-218-937-81 s RES, CHIP 47	
R104	1-218-861-81 s RES, CHIP 4.7K	
R105	1-216-864-91 s CONDUCTOR, CHIP (1608)	
R106	1-216-864-91 s CONDUCTOR, CHIP (1608)	
R107	1-216-864-91 s CONDUCTOR, CHIP (1608)	
R108	1-216-864-91 s CONDUCTOR, CHIP (1608)	
R109	1-216-864-91 s CONDUCTOR, CHIP (1608)	

(QA BOARD)

(QA BOARD)

Ref. No. or Q'ty	Part No.	SP Description
R110	1-216-864-91 s	CONDUCTOR, CHIP (1608)
R111	1-211-990-91 s	RES, CHIP 75 (1608)
R112	1-211-990-91 s	RES, CHIP 75 (1608)
R113	1-211-990-91 s	RES, CHIP 75 (1608)
R114	1-211-990-91 s	RES, CHIP 75 (1608)
R115	1-211-990-91 s	RES, CHIP 75 (1608)
R116	1-211-990-91 s	RES, CHIP 75 (1608)
R117	1-211-979-91 s	RES, CHIP 27 (1608)
R118	1-211-979-91 s	RES, CHIP 27 (1608)
R119	1-211-979-91 s	RES, CHIP 27 (1608)
R120	1-211-985-91 s	RES, CHIP 47 (1608)
R121	1-211-985-91 s	RES, CHIP 47 (1608)
R122	1-211-985-91 s	RES, CHIP 47 (1608)
R123	1-218-961-81 s	RES, CHIP 4.7K
R124	1-218-965-81 s	RES, CHIP 10K 1005
R125	1-208-923-81 s	RES, CHIP 33K (1005)
R126	1-218-961-81 s	RES, CHIP 4.7K
R127	1-218-961-81 s	RES, CHIP 4.7K
R128	1-218-990-81 s	CONDUCTOR, CHIP (1005)
R129	1-218-990-81 s	CONDUCTOR, CHIP (1005)
R130	1-218-937-81 s	RES, CHIP 47
R131	1-218-937-81 s	RES, CHIP 47
R132	1-218-937-81 s	RES, CHIP 47
R133	1-218-937-81 s	RES, CHIP 47
R134	1-218-937-81 s	RES, CHIP 47
R136	1-218-953-81 s	RES, CHIP 1.0K
R137	1-218-949-81 s	RES, CHIP 470
R138	1-218-965-81 s	RES, CHIP 10K 1005
R139	1-218-949-81 s	RES, CHIP 470
R140	1-218-965-81 s	RES, CHIP 10K 1005
R141	1-218-965-81 s	RES, CHIP 10K 1005
R142	1-218-977-81 s	RES, CHIP 100K
R143	1-218-977-81 s	RES, CHIP 100K
R144	1-218-977-81 s	RES, CHIP 100K
R145	1-218-977-81 s	RES, CHIP 100K
R146	1-218-941-81 s	RES, CHIP 100
R147	1-218-941-81 s	RES, CHIP 100
R148	1-218-951-81 s	RES, CHIP 680
R149	1-218-957-81 s	RES, CHIP 2.2K
R150	1-218-953-81 s	RES, CHIP 1.0K
R151	1-218-953-81 s	RES, CHIP 1.0K
R152	1-218-937-81 s	RES, CHIP 47
R153	1-218-937-81 s	RES, CHIP 47
R154	1-218-961-81 s	RES, CHIP 4.7K
R155	1-218-953-81 s	RES, CHIP 1.0K
R156	1-218-953-81 s	RES, CHIP 1.0K
R157	1-218-961-81 s	RES, CHIP 4.7K
R159	1-218-961-81 s	RES, CHIP 4.7K
R160	1-218-941-81 s	RES, CHIP 100
R161	1-218-953-81 s	RES, CHIP 1.0K
R162	1-218-941-81 s	RES, CHIP 100
R163	1-218-929-81 s	RES, CHIP 10
R164	1-218-929-81 s	RES, CHIP 10
R165	1-218-965-81 s	RES, CHIP 10K 1005
R166	1-218-929-81 s	RES, CHIP 10
R167	1-218-929-81 s	RES, CHIP 10
R168	1-218-965-81 s	RES, CHIP 10K 1005
R169	1-218-965-81 s	RES, CHIP 10K 1005
R170	1-218-961-81 s	RES, CHIP 4.7K

(QA BOARD)

Ref. No. or Q'ty	Part No.	SP Description
R171	1-218-961-81 s	RES, CHIP 4.7K
R172	1-218-931-81 s	RES, CHIP 15
R173	1-208-912-81 s	RES, CHIP 11K (1005)
R174	1-218-989-81 s	RES, CHIP 1M
R175	1-218-990-81 s	CONDUCTOR, CHIP (1005)
R177	1-218-941-81 s	RES, CHIP 100
R178	1-218-941-81 s	RES, CHIP 100
R179	1-218-965-81 s	RES, CHIP 10K 1005
R180	1-218-937-81 s	RES, CHIP 47
R181	1-218-965-81 s	RES, CHIP 10K 1005
R182	1-218-941-81 s	RES, CHIP 100
R183	1-218-937-81 s	RES, CHIP 47
R184	1-218-977-81 s	RES, CHIP 100K
R185	1-218-977-81 s	RES, CHIP 100K
R186	1-218-977-81 s	RES, CHIP 100K
R187	1-218-977-81 s	RES, CHIP 100K
R188	1-218-937-81 s	RES, CHIP 47
R189	1-218-937-81 s	RES, CHIP 47
R200	1-218-937-81 s	CONDUCTOR, CHIP (1005)
R201	1-218-990-81 s	CONDUCTOR, CHIP (1005)
R202	1-216-864-91 s	CONDUCTOR, CHIP (1608)
R203	1-218-953-81 s	RES, CHIP 1.0K
R204	1-216-864-91 s	CONDUCTOR, CHIP (1608)
R205	1-218-953-81 s	RES, CHIP 1.0K
R206	1-218-945-81 s	RES, CHIP 220
R208	1-218-970-81 s	RES, CHIP 27K
R216	1-218-937-81 s	RES, CHIP 47
R217	1-218-937-81 s	RES, CHIP 47
R232	1-218-973-81 s	RES, CHIP 47K
R219	1-218-937-81 s	RES, CHIP 47
R222	1-218-965-81 s	RES, CHIP 10K 1005
R230	1-218-969-81 s	RES, CHIP 22K
R231	1-218-969-81 s	RES, CHIP 22K
R232	1-218-973-81 s	RES, CHIP 47K
R233	1-218-973-81 s	RES, CHIP 47K
R234	1-218-953-81 s	RES, CHIP 1.0K
R235	1-218-965-81 s	RES, CHIP 10K 1005
R236	1-218-965-81 s	RES, CHIP 10K 1005
R237	1-218-965-81 s	RES, CHIP 10K 1005
R240	1-218-961-81 s	RES, CHIP 4.7K
R241	1-218-961-81 s	RES, CHIP 4.7K
R242	1-208-911-81 s	RES, CHIP 10K (1005)
R243	1-208-923-81 s	RES, CHIP 33K (1005)
R244	1-208-911-81 s	RES, CHIP 10K (1005)
R245	1-208-923-81 s	RES, CHIP 33K (1005)
R246	1-218-973-81 s	RES, CHIP 47K
R247	1-218-973-81 s	RES, CHIP 47K
R248	1-218-961-81 s	RES, CHIP 4.7K
R249	1-218-961-81 s	RES, CHIP 4.7K
R250	1-218-937-81 s	RES, CHIP 47
R251	1-218-961-81 s	RES, CHIP 4.7K
R252	1-218-961-81 s	RES, CHIP 4.7K
R253	1-218-961-81 s	RES, CHIP 4.7K
R254	1-218-961-81 s	RES, CHIP 4.7K
R255	1-218-990-81 s	CONDUCTOR, CHIP (1005)
R256	1-218-990-81 s	CONDUCTOR, CHIP (1005)
R257	1-218-990-81 s	CONDUCTOR, CHIP (1005)
R258	1-218-990-81 s	CONDUCTOR, CHIP (1005)
R260	1-208-903-81 s	RES, CHIP 4.7K (1005)

(QA BOARD)

Ref. No. or Q'ty	Part No.	SP Description
R261	1-218-961-81 s RES, CHIP 4.7K	
R262	1-218-961-81 s RES, CHIP 4.7K	
R263	1-218-965-81 s RES, CHIP 10K 1005	
R264	1-218-965-81 s RES, CHIP 10K 1005	
R265	1-218-961-81 s RES, CHIP 4.7K	
R266	1-218-961-81 s RES, CHIP 4.7K	
R267	1-218-961-81 s RES, CHIP 4.7K	
R268	1-218-961-81 s RES, CHIP 4.7K	
R269	1-218-961-81 s RES, CHIP 4.7K	
R270	1-218-961-81 s RES, CHIP 4.7K	
R271	1-218-961-81 s RES, CHIP 4.7K	
R272	1-218-961-81 s RES, CHIP 4.7K	
R273	1-218-961-81 s RES, CHIP 4.7K	
R274	1-218-961-81 s RES, CHIP 4.7K	
R275	1-218-961-81 s RES, CHIP 4.7K	
R276	1-218-961-81 s RES, CHIP 4.7K	
R277	1-218-961-81 s RES, CHIP 4.7K	
R278	1-218-961-81 s RES, CHIP 4.7K	
R279		
R280	*3*4 1-218-990-81 s CONDUCTOR, CHIP (1005)	
R281	1-218-961-81 s RES, CHIP 4.7K	
R282	*3*4 1-218-990-81 s CONDUCTOR, CHIP (1005)	
R283	1-218-961-81 s RES, CHIP 4.7K	
R284	*1*2 1-218-961-81 s RES, CHIP 4.7K	
R285	*1*2 1-218-961-81 s RES, CHIP 4.7K	
R286	1-218-937-81 s RES, CHIP 47	
R287	1-218-937-81 s RES, CHIP 47	
R288	1-218-937-81 s RES, CHIP 47	
R289	1-218-961-81 s RES, CHIP 4.7K	
R290	1-218-961-81 s RES, CHIP 4.7K	
R292	1-218-935-81 s RES, CHIP 33	
R293	1-218-989-81 s RES, CHIP 1M	
R294	1-218-990-81 s CONDUCTOR, CHIP (1005)	
R295	1-218-961-81 s RES, CHIP 4.7K	
R296	1-218-961-81 s RES, CHIP 4.7K	
R297	1-218-965-81 s RES, CHIP 10K 1005	
R300	1-218-965-81 s RES, CHIP 10K 1005	
R302	1-218-990-81 s CONDUCTOR, CHIP (1005)	
R303	1-218-990-81 s CONDUCTOR, CHIP (1005)	
R304	1-218-990-81 s CONDUCTOR, CHIP (1005)	
R305	1-218-941-81 s RES, CHIP 100	
R306	1-218-941-81 s RES, CHIP 100	
R307	1-218-941-81 s RES, CHIP 100	
R308	1-218-941-81 s RES, CHIP 100	
R309	1-218-941-81 s RES, CHIP 100	
R310	1-218-941-81 s RES, CHIP 100	
R311	1-218-990-81 s CONDUCTOR, CHIP (1005)	
R312	1-218-990-81 s CONDUCTOR, CHIP (1005)	
R313	1-218-990-81 s CONDUCTOR, CHIP (1005)	
R314	1-218-990-81 s CONDUCTOR, CHIP (1005)	
R315	1-218-990-81 s CONDUCTOR, CHIP (1005)	
R316	1-218-990-81 s CONDUCTOR, CHIP (1005)	
R317	1-218-990-81 s CONDUCTOR, CHIP (1005)	
R318	1-218-990-81 s CONDUCTOR, CHIP (1005)	
R319	1-218-965-81 s RES, CHIP 10K 1005	

(QA BOARD)

Ref. No. or Q'ty	Part No.	SP Description
R320	1-208-871-81 s RES, CHIP 220 (1005)	
R321	1-208-871-81 s RES, CHIP 220 (1005)	
R322	1-208-887-81 s RES, CHIP 1.0K (1005)	
R323	1-218-949-81 s RES, CHIP 470	
R324	1-208-398-81 s RES, CHIP 1.5M	
R325	1-220-398-81 s RES, CHIP 1.5M	
R326	1-218-935-81 s RES, CHIP 33	
R327	1-218-989-81 s RES, CHIP 1M	
R328	1-218-990-81 s CONDUCTOR, CHIP (1005)	
R329	1-208-931-81 s RES, CHIP 68K (1005)	
R330	1-218-933-81 s RES, CHIP 22	
R332	1-208-915-81 s RES, CHIP 15K (1005)	
R333	1-218-933-81 s RES, CHIP 22	
R334	1-218-941-81 s RES, CHIP 100	
R335	1-218-941-81 s RES, CHIP 100	
R336	1-218-941-81 s RES, CHIP 100	
R338	1-218-941-81 s RES, CHIP 100	
R339	1-218-905-81 s RES, CHIP 10K 1005	
R400	1-208-945-81 s RES, CHIP 220K (1005)	
R401	1-208-939-81 s RES, CHIP 150K (1005)	
R402	1-208-903-81 s RES, CHIP 4.7K (1005)	
R403	1-208-913-81 s RES, CHIP 12K (1005)	
R404	1-208-947-81 s RES, CHIP 330K (1005)	
R405	1-218-990-81 s CONDUCTOR, CHIP (1005)	
R406	1-218-990-81 s CONDUCTOR, CHIP (1005)	
R407	1-208-935-81 s RES, CHIP 100K (1005)	
R408	1-218-965-81 s RES, CHIP 10K 1005	
R409	1-208-903-81 s RES, CHIP 4.7K (1005)	
R411	1-208-879-81 s RES, CHIP 470 (1005)	
R412	1-208-911-81 s RES, CHIP 10K (1005)	
R413	1-208-915-81 s RES, CHIP 15K (1005)	
R414	1-218-905-81 s RES, CHIP 10K 1005	
R415	1-208-887-81 s RES, CHIP 1.0K (1005)	
R416	1-208-867-81 s RES, CHIP 150 (1005)	
R417	1-208-887-81 s RES, CHIP 1.0K (1005)	
R418	1-218-949-81 s RES, CHIP 470	
R421	1-218-937-81 s RES, CHIP 47	
R422	1-218-937-81 s RES, CHIP 47	
R423	1-218-929-81 s RES, CHIP 10	
R424	1-208-911-81 s RES, CHIP 10K (1005)	
R425	1-208-911-81 s RES, CHIP 10K (1005)	
R426	1-218-965-81 s RES, CHIP 10K 1005	
R427	1-218-965-81 s RES, CHIP 10K 1005	
R428	1-220-915-91 s RES, METAL FILM 0.033 (2012)	
R429	1-240-038-91 s RES, METAL FILM 0.022 (2012)	
R430	1-218-949-81 s RES, CHIP 470	
R431	1-218-949-81 s RES, CHIP 470	
R432	1-218-965-81 s RES, CHIP 10K 1005	
R433	1-218-949-81 s RES, CHIP 470	
R434	1-218-941-81 s RES, CHIP 100	
R435	1-218-941-81 s RES, CHIP 100	
R436	1-218-941-81 s RES, CHIP 100	
R437	1-218-935-81 s RES, CHIP 22	
R501	1-218-933-81 s RES, CHIP 22	
R502	1-218-937-81 s RES, CHIP 47	
R503	1-218-937-81 s RES, CHIP 47	
R504	1-218-937-81 s RES, CHIP 47	
R505	1-218-937-81 s RES, CHIP 47	
R506	1-218-933-81 s RES, CHIP 22	

(QA BOARD)

Ref. No. or Q'ty	Part No.	SP Description
R507	1-218-933-81 s RES	CHIP 22
R508	1-218-933-81 s RES	CHIP 22
R509	1-218-933-81 s RES	CHIP 22
R510	1-218-933-81 s RES	CHIP 22
R511	1-218-933-81 s RES	CHIP 22
R512	1-218-933-81 s RES	CHIP 22
R513	1-218-933-81 s RES	CHIP 22
R514	1-218-933-81 s RES	CHIP 22
R515	1-218-933-81 s RES	CHIP 22
R516	1-218-933-81 s RES	CHIP 22
R517	1-218-933-81 s RES	CHIP 22
R518	1-218-933-81 s RES	CHIP 22
R519	1-218-933-81 s RES	CHIP 22
R520	1-218-933-81 s RES	CHIP 22
R521	1-218-933-81 s RES	CHIP 22
R522	1-208-887-81 s RES	CHIP 1.0K (1005)
R523	1-208-887-81 s RES	CHIP 1.0K (1005)
R600	1-218-953-81 s RES	CHIP 1.0K
R601	1-218-965-81 s RES	CHIP 10K 1005
R602	1-218-965-81 s RES	CHIP 10K 1005
R604	1-218-965-81 s RES	CHIP 10K 1005
R605	1-218-965-81 s RES	CHIP 10K 1005
R608	1-218-965-81 s RES	CHIP 10K 1005
R610	1-218-965-81 s RES	CHIP 10K 1005
R613	1-218-990-81 s CONDUCTOR	CHIP (1005)
R614	1-218-990-81 s CONDUCTOR	CHIP (1005)
R616	1-218-990-81 s CONDUCTOR	CHIP (1005)
R617	1-218-941-81 s RES	CHIP 100
R618	1-218-941-81 s RES	CHIP 100
R619	1-218-941-81 s RES	CHIP 100
R620	1-218-941-81 s RES	CHIP 100
R621	1-218-941-81 s RES	CHIP 100
R622	1-218-941-81 s RES	CHIP 100
R624	1-218-973-81 s RES	CHIP 47K
R625	1-218-929-81 s RES	CHIP 10
R626	1-218-973-81 s RES	CHIP 47K
R627	1-218-929-81 s RES	CHIP 10
R628	1-218-965-81 s RES	CHIP 10K 1005
R630	1-218-953-81 s RES	CHIP 1.0K
R631	1-218-965-81 s RES	CHIP 10K 1005
R633	1-218-990-81 s CONDUCTOR	CHIP (1005)
R634	1-218-965-81 s RES	CHIP 10K 1005
R635	1-218-965-81 s RES	CHIP 10K 1005
R638	1-218-990-81 s CONDUCTOR	CHIP (1005)
R639	1-218-965-81 s RES	CHIP 10K 1005
R640	1-218-965-81 s RES	CHIP 10K 1005
R641	1-208-903-81 s RES	CHIP 4.7K (1005)
R642	1-208-903-81 s RES	CHIP 4.7K (1005)
R643	1-218-965-81 s RES	CHIP 10K 1005
R644	1-218-933-81 s RES	CHIP 22
R645	1-218-933-81 s RES	CHIP 22
R646	1-218-965-81 s RES	CHIP 10K 1005
R650	1-208-903-81 s RES	CHIP 4.7K (1005)
R651	1-218-965-81 s RES	CHIP 10K 1005
R652	1-218-965-81 s RES	CHIP 10K 1005
R653	1-218-965-81 s RES	CHIP 10K 1005
R654	1-218-965-81 s RES	CHIP 10K 1005
R655	1-218-953-81 s RES	CHIP 1.0K
R656	1-218-941-81 s RES	CHIP 100

(QA BOARD)

Ref. No. or Q'ty	Part No.	SP Description
R657	1-218-965-81 s RES	CHIP 10K 1005
R658	1-218-965-81 s RES	CHIP 10K 1005
R660	1-218-965-81 s RES	CHIP 10K 1005
R661	1-218-965-81 s RES	CHIP 10K 1005
R662	1-218-961-81 s RES	CHIP 4.7K
R663	1-218-941-81 s RES	CHIP 100
R664	1-218-961-81 s RES	CHIP 4.7K
R665	1-218-965-81 s RES	CHIP 10K 1005
R666	1-218-953-81 s RES	CHIP 1.0K
R667	1-218-953-81 s RES	CHIP 1.0K
R668	1-218-953-81 s RES	CHIP 1.0K
R669	1-218-941-81 s RES	CHIP 100
R670	1-218-961-81 s RES	CHIP 4.7K
R671	1-218-941-81 s RES	CHIP 100
R672	1-218-941-81 s RES	CHIP 100
R673	1-218-941-81 s RES	CHIP 100
R674	1-218-965-81 s RES	CHIP 10K 1005
R676	1-218-961-81 s RES	CHIP 4.7K
R677	1-218-973-81 s RES	CHIP 47K
R678	1-218-973-81 s RES	CHIP 47K
R679	1-218-933-81 s RES	CHIP 22
R680	1-218-933-81 s RES	CHIP 22
R681	1-218-973-81 s RES	CHIP 47K
R682	1-218-973-81 s RES	CHIP 47K
R683	1-218-941-81 s RES	CHIP 100
R684	1-218-941-81 s RES	CHIP 100
R685	1-218-965-81 s RES	CHIP 10K 1005
R686	1-218-990-81 s CONDUCTOR	CHIP (1005)
R687	1-218-990-81 s CONDUCTOR	CHIP (1005)
R688	1-218-990-81 s CONDUCTOR	CHIP (1005)
R689	1-218-933-81 s RES	CHIP 22
R690	1-218-957-81 s RES	CHIP 2.2K
R693	1-218-990-81 s CONDUCTOR	CHIP (1005)
R694	1-218-990-81 s CONDUCTOR	CHIP (1005)
R695	1-216-817-91 s RES	CHIP 470 (1608)
R696	1-216-817-91 s RES	CHIP 470 (1608)
R700	1-218-953-81 s RES	CHIP 1.0K
R701	1-218-953-81 s RES	CHIP 1.0K
R702	1-218-953-81 s RES	CHIP 1.0K
R703	1-218-953-81 s RES	CHIP 1.0K
R704	1-218-941-81 s RES	CHIP 100
R705	1-218-941-81 s RES	CHIP 100
R706	1-218-941-81 s RES	CHIP 100
R709	1-208-911-81 s RES	CHIP 10K (1005)
R716	1-218-965-81 s RES	CHIP 10K 1005
R717	1-218-941-81 s RES	CHIP 100
R718	1-218-941-81 s RES	CHIP 100
R719	1-218-965-81 s RES	CHIP 10K 1005
R720	1-218-965-81 s RES	CHIP 10K 1005
R721	1-218-990-81 s CONDUCTOR	CHIP (1005)
R722	1-218-990-81 s CONDUCTOR	CHIP (1005)
R723	1-218-990-81 s CONDUCTOR	CHIP (1005)
R724	1-218-961-81 s RES	CHIP 4.7K
R725	1-218-961-81 s RES	CHIP (1005)
R726	1-218-990-81 s CONDUCTOR	CHIP (1005)
R727	1-218-961-81 s RES	CHIP 4.7K
R728	1-218-965-81 s RES	CHIP 10K 1005
R729	1-218-965-81 s RES	CHIP 10K 1005
R730	1-218-965-81 s RES	CHIP 10K 1005

(QA BOARD)

Ref. No. or Q'ty	Part No.	SP Description
R731	1-218-973-81 s RES,	CHIP 47K
R732	1-218-973-81 s RES,	CHIP 47K
R733	1-218-965-81 s RES,	CHIP 10K 1005
R734	1-218-973-81 s RES,	CHIP 47K
R735	1-218-941-81 s RES,	CHIP 100
R736	1-218-965-81 s RES,	CHIP 10K 1005
R737	1-218-933-81 s RES,	CHIP 22
R738	1-218-933-81 s RES,	CHIP 22
R741	1-218-961-81 s RES,	CHIP 4.7K
R742	1-218-965-81 s RES,	CHIP 10K 1005
R743	1-218-961-81 s RES,	CHIP 4.7K
R744	1-218-965-81 s RES,	CHIP 10K 1005
R746	1-218-937-81 s RES,	CHIP 47
R747	1-218-990-81 s CONDUCTOR,	CHIP (1005)
R749	1-218-990-81 s CONDUCTOR,	CHIP (1005)
R750	1-218-965-81 s RES,	CHIP 10K 1005
R751	1-218-929-81 s RES,	CHIP 10
R752	1-218-965-81 s RES,	CHIP 10K 1005
R753	1-218-973-81 s RES,	CHIP 47K
R754	1-218-941-81 s RES,	CHIP 100
R755	1-218-973-81 s RES,	CHIP 47K
R756	1-218-973-81 s RES,	CHIP 47K
R757	1-218-953-81 s RES,	CHIP 1.0K
R758	1-218-941-81 s RES,	CHIP 100
R759	1-218-941-81 s RES,	CHIP 100
R760	1-218-941-81 s RES,	CHIP 100
R761	1-218-965-81 s RES,	CHIP 10K 1005
R762	1-218-941-81 s RES,	CHIP 100
R763	1-218-941-81 s RES,	CHIP 100
R765	1-218-941-81 s RES,	CHIP 100
R766	1-218-941-81 s RES,	CHIP 100
R767	1-218-941-81 s RES,	CHIP 100
R769	1-218-973-81 s RES,	CHIP 47K
R770	1-218-941-81 s RES,	CHIP 100
R772	1-218-965-81 s RES,	CHIP 10K 1005
R773	1-218-965-81 s RES,	CHIP 10K 1005
R774	1-208-901-81 s RES,	CHIP 3.9K (1005)
R775	1-208-887-81 s RES,	CHIP 1.0K (1005)
R776	1-218-953-81 s RES,	CHIP 1.0K
R777	1-218-941-81 s RES,	CHIP 100
R779	1-218-965-81 s RES,	CHIP 10K 1005
R781	1-218-941-81 s RES,	CHIP 100
R783	1-218-941-81 s RES,	CHIP 100
R800	1-218-965-81 s RES,	CHIP 10K 1005
R801	1-218-977-81 s RES,	CHIP 100K
R802	1-218-965-81 s RES,	CHIP 10K 1005
R803	1-218-977-81 s RES,	CHIP 100K
R806	1-218-965-81 s RES,	CHIP 10K 1005
R807	1-218-977-81 s RES,	CHIP 100K
R808	1-218-965-81 s RES,	CHIP 10K 1005
R809	1-218-977-81 s RES,	CHIP 100K
R810	1-208-927-81 s RES,	CHIP 47K (1005)
R811	1-208-899-81 s RES,	CHIP 3.3K (1005)
R812	1-208-911-81 s RES,	CHIP 10K (1005)
R813	1-208-927-81 s RES,	CHIP 47K (1005)
R814	1-208-899-81 s RES,	CHIP 3.3K (1005)
R815	1-208-911-81 s RES,	CHIP 10K (1005)
R819	1-208-927-81 s RES,	CHIP 47K (1005)
R820	1-208-899-81 s RES,	CHIP 3.3K (1005)

(QA BOARD)

Ref. No. or Q'ty	Part No.	SP Description
R821	1-208-911-81 s RES,	CHIP 10K (1005)
R822	1-208-927-81 s RES,	CHIP 47K (1005)
R823	1-208-899-81 s RES,	CHIP 3.3K (1005)
R824	1-208-911-81 s RES,	CHIP 10K (1005)
R826	1-208-915-81 s RES,	CHIP 15K (1005)
R831	1-208-915-81 s RES,	CHIP 15K (1005)
R832	1-208-915-81 s RES,	CHIP 15K (1005)
R834	1-208-915-81 s RES,	CHIP 15K (1005)
R835	1-218-965-81 s RES,	CHIP 10K 1005
R836	1-218-965-81 s RES,	CHIP 10K 1005
R837	1-218-941-81 s RES,	CHIP 100
R838	1-218-965-81 s RES,	CHIP 10K 1005
R839	1-218-965-81 s RES,	CHIP 10K 1005
R841	1-218-965-81 s RES,	CHIP 10K 1005
R842	1-218-953-81 s RES,	CHIP 1.0K
R843	1-218-953-81 s RES,	CHIP 1.0K
R845	1-218-953-81 s RES,	CHIP 1.0K
R846	1-218-953-81 s RES,	CHIP 1.0K
R847	1-218-973-81 s RES,	CHIP 47K
R848	1-218-973-81 s RES,	CHIP 47K
R850	1-218-973-81 s RES,	CHIP 47K
R851	1-218-973-81 s RES,	CHIP 47K
R852	1-218-973-81 s RES,	CHIP 47K
R853	1-218-973-81 s RES,	CHIP 47K
R855	1-218-973-81 s RES,	CHIP 47K
R856	1-218-973-81 s RES,	CHIP 47K
R857	1-218-929-81 s RES,	CHIP 10
R858	1-218-929-81 s RES,	CHIP 10
R860	1-218-929-81 s RES,	CHIP 10
R861	1-218-929-81 s RES,	CHIP 10
R866	1-218-965-81 s RES,	CHIP 10K 1005
R870	1-218-977-81 s RES,	CHIP 100K
R871	1-208-907-81 s RES,	CHIP 6.8K (1005)
R872	1-208-955-81 s RES,	CHIP 2.2K (1005)
R873	1-208-915-81 s RES,	CHIP 15K (1005)
R894	1-218-990-81 s CONDUCTOR,	CHIP (1005)
R898	1-208-887-81 s RES,	CHIP 1.0K (1005)
R908	1-208-911-81 s RES,	CHIP 10K (1005)
R909	1-218-925-81 s RES,	CHIP 10
R910	1-208-925-81 s RES,	CHIP 10
R911	1-208-931-81 s RES,	CHIP 68K (1005)
R912	1-208-899-81 s RES,	CHIP 3.3K (1005)
R913	1-208-899-81 s RES,	CHIP 3.3K (1005)
R914	1-208-911-81 s RES,	CHIP 10K (1005)
R915	1-218-990-81 s CONDUCTOR,	CHIP (1005)
R916	1-208-931-81 s RES,	CHIP 68K (1005)
R917	1-208-923-81 s RES,	CHIP 33K (1005)
R918	1-208-907-81 s RES,	CHIP 6.8K (1005)
R919	1-208-931-81 s RES,	CHIP 68K (1005)
R920	1-218-990-81 s CONDUCTOR,	CHIP (1005)
R922	1-208-931-81 s RES,	CHIP 68K (1005)
R923	1-208-931-81 s RES,	CHIP 68K (1005)
R925	1-208-915-81 s RES,	CHIP 10K (1005)
R926	1-208-915-81 s RES,	CHIP 15K (1005)
R927	1-208-899-81 s RES,	CHIP 3.3K (1005)
R928	1-208-899-81 s RES,	CHIP 3.3K (1005)
R929	1-208-887-81 s RES,	CHIP 1.0K (1005)
R930	1-208-899-81 s RES,	CHIP 3.3K (1005)
R931	1-208-911-81 s RES,	CHIP 10K (1005)
R932	1-208-923-81 s RES,	CHIP 33K (1005)
R933	1-208-887-81 s RES,	CHIP 1.0K (1005)

(Q4 BOARD)

Ref. No. or Q'ty	Part No.	SP Description	Ref. No. or Q'ty	Part No.	SP Description

			Q4 BOARD		
R934	1-208-915-81 s RES	CHIP 15K (1005)	1pc	A-1512-876-A s MOUNTED CIRCUIT BOARD, Q4	
R935	1-208-935-81 s RES	CHIP 100K (1005)	1pc	1-565-269-12 s SOCKET, CONNECTOR (D-SUB, L)	
R936	1-208-927-81 s RES	CHIP 47K (1005)			
R937	1-208-887-81 s RES	CHIP 1.0K (1005)	C90	1-162-964-91 s CAP/CHIP CERAMIC 1000PF B 16	
R938	1-208-927-81 s RES	CHIP 47K (1005)	C91	1-162-964-91 s CAP/CHIP CERAMIC 1000PF B 16	
			C92	1-162-964-91 s CAP/CHIP CERAMIC 1000PF B 16	
R940	1-208-951-81 s RES	CHIP 470K (1005)	C93	1-162-964-91 s CAP/CHIP CERAMIC 1000PF B 16	
R941	1-218-990-81 s CONDUCTOR	CHIP (1005)	CM91	1-820-181-11 s HEADER ASSEMBLY (PRINT PWB)	
R942	1-208-879-81 s RES	CHIP 470 (1005)			
R943	1-208-881-81 s RES	CHIP 560 (1005)			
R944	1-208-887-81 s RES	CHIP 1.0K (1005)	R90	1-216-809-91 s RES, CHIP 100 (1608)	
R945	1-208-951-81 s RES	CHIP 470K (1005)	-----		
R946	1-208-907-81 s RES	CHIP 6.8K (1005)	TL BOARD		
R947	1-208-883-81 s RES	CHIP 680 (1005)			
R948	1-208-907-81 s RES	CHIP 6.8K (1005)			
R949	1-208-883-81 s RES	CHIP 680 (1005)			
R950	1-208-931-81 s RES	CHIP 68K (1005)	Ref. No.	Part No.	SP Description
			or Q'ty		
RB500	1-234-370-21 s RES	NETWORK 22 (1005X4)	1pc	A-1512-878-A s MOUNTED CIRCUIT BOARD, TL	
RB501	1-234-370-21 s RES	NETWORK 22 (1005X4)			
RB502	1-234-370-21 s RES	NETWORK 22 (1005X4)	C60	1-114-325-11 s CAP, CERAMIC 0.1MF X7R 1608	
RB503	1-234-370-21 s RES	NETWORK 22 (1005X4)			
RB504	1-234-370-21 s RES	NETWORK 22 (1005X4)	CM60	1-820-298-11 o HEADER ASSEMBLY (PRINT PWB)	
RB505	1-234-370-21 s RES	NETWORK 22 (1005X4)			
RB506	1-234-370-21 s RES	NETWORK 22 (1005X4)	-----		
RB507	1-234-370-21 s RES	NETWORK 22 (1005X4)	U BOARD		
RB508	1-234-370-21 s RES	NETWORK 22 (1005X4)	Ref. No.	Part No.	SP Description
RB509	1-234-370-21 s RES	NETWORK 22 (1005X4)	or Q'ty		
RB510	1-234-370-21 s RES	NETWORK 22 (1005X4)			
RB600	1-234-370-21 s RES	NETWORK 22 (1005X4)	U BOARD		
RB601	1-234-372-21 s RES	NETWORK 100 (1005X4)			
RB602	1-234-372-21 s RES	NETWORK 100 (1005X4)	Ref. No.	Part No.	SP Description
RB603	1-234-372-21 s RES	NETWORK 100 (1005X4)	or Q'ty		
RB604	1-234-372-21 s RES	NETWORK 100 (1005X4)	1pc	A-1512-879-A s MOUNTED CIRCUIT BOARD, U	
RB700	1-234-370-21 s RES	NETWORK 22 (1005X4)	CM70	1-820-297-11 o HEADER ASSEMBLY (PRINT PWB)	
RB701	1-234-372-21 s RES	NETWORK 100 (1005X4)			
RB702	1-234-370-21 s RES	NETWORK 22 (1005X4)			
RB703	1-234-370-21 s RES	NETWORK 22 (1005X4)	S70	1-570-504-12 s SWITCH, MICRO	
RB704	1-234-372-21 s RES	NETWORK 100 (1005X4)			
VDR100	1-802-090-21 s VARISTOR	CHIP	-----		
VDR101	1-802-090-21 s VARISTOR	CHIP	V BOARD		
VDR102	1-802-090-21 s VARISTOR	CHIP	Ref. No.	Part No.	SP Description
VDR103	1-802-090-21 s VARISTOR	CHIP	or Q'ty		
VDR104	1-802-090-21 s VARISTOR	CHIP			
VDR105	1-802-090-21 s VARISTOR	CHIP	1pc	A-1512-880-A s MOUNTED CIRCUIT BOARD, V	
VDR106	1-802-090-21 s VARISTOR	CHIP			
VDR600	1-802-090-21 s VARISTOR	CHIP	C50	1-114-325-11 s CAP, CERAMIC 0.1MF X7R 1608	
VDR601	1-802-090-21 s VARISTOR	CHIP			
VDR602	1-802-090-21 s VARISTOR	CHIP	CM80	1-820-298-11 o HEADER ASSEMBLY (PRINT PWB)	
VDR603	1-802-090-21 s VARISTOR	CHIP	S80	1-570-504-12 s SWITCH, MICRO	
X100	1-795-416-21 s VIBRATOR	CRYSTAL (33 MHZ)	-----		
X200	1-813-267-11 s VIBRATOR	CRYSTAL (27 MHZ)	X750	1-804-045-11 s THERMISTOR	
X300	1-813-267-11 s VIBRATOR	CRYSTAL (27 MHZ)			
X700	1-813-326-21 s VIBRATOR	CRYSTAL (16.384 MHZ)			

3-4. Packing Materials & Supplied Accessories

PACKING MATERIALS & SUPPLIED ACCESSORIES

- *1: [VPL-HM10 (CN)]
- *2: [VPL-HM10 (J)]
- *3: [VPL-HM10 (SY)]
- *4: [VPL-HM10 (UC)]
- *5: [VPL-HM15 (J)]
- *6: [VPL-HM15 (SY)]
- *7: [VPL-HM15 (UC)]

Ref. No. SP Description
or Q'ty Part No.

- Ipc *1*2*3*4 Δ 1-480-253-11 s REMOTE COMMANDER (RM-PJAM15)
- Ipc *1*2*3*4 9-885-115-22 s BATTERY COVER (for RM-PJAM15)
- Ipc *6*7 Δ 1-487-097-11 s REMOTE COMMANDER (RM-PJW70)
- Ipc *6*7 9-885-120-26 s COVER, BATTERY (for RM-PJW70)
- Ipc *5 Δ 1-487-097-21 s REMOTE COMMANDER (RM-PJHM15J)
- Ipc *5 9-885-120-26 s COVER, BATTERY (for RM-PJHM15J)
- Ipc *1 Δ 1-833-005-11 s AC POWER-SUPPLY CORD
- Ipc *2*5 Δ 1-831-498-21 s POWER-SUPPLY CORD SET
- Ipc *4*7 Δ 1-831-499-31 s POWER-SUPPLY CORD SET
- Ipc *2 3-876-649-04 s MANUAL, INSTRUCTION (JAPANESE)
- Ipc *3*4 3-876-649-15 s MANUAL, INSTRUCTION (ENGLISH)
- Ipc *3 3-876-649-26 s MANUAL, INSTRUCTION (FRENCH, SPANISH, GERMAN, ITALIAN)
- Ipc *1 3-876-649-31 s MANUAL, INSTRUCTION (CHINESE)
- Ipc *5 Δ 4-156-596-01 s MANUAL, INSTRUCTION (JAPANESE)
- Ipc *6*7 Δ 4-156-596-11 s MANUAL, INSTRUCTION (ENGLISH)
- Ipc *6 Δ 4-156-596-21 s MANUAL, INSTRUCTION (FRENCH, SPANISH, GERMAN, ITALIAN)