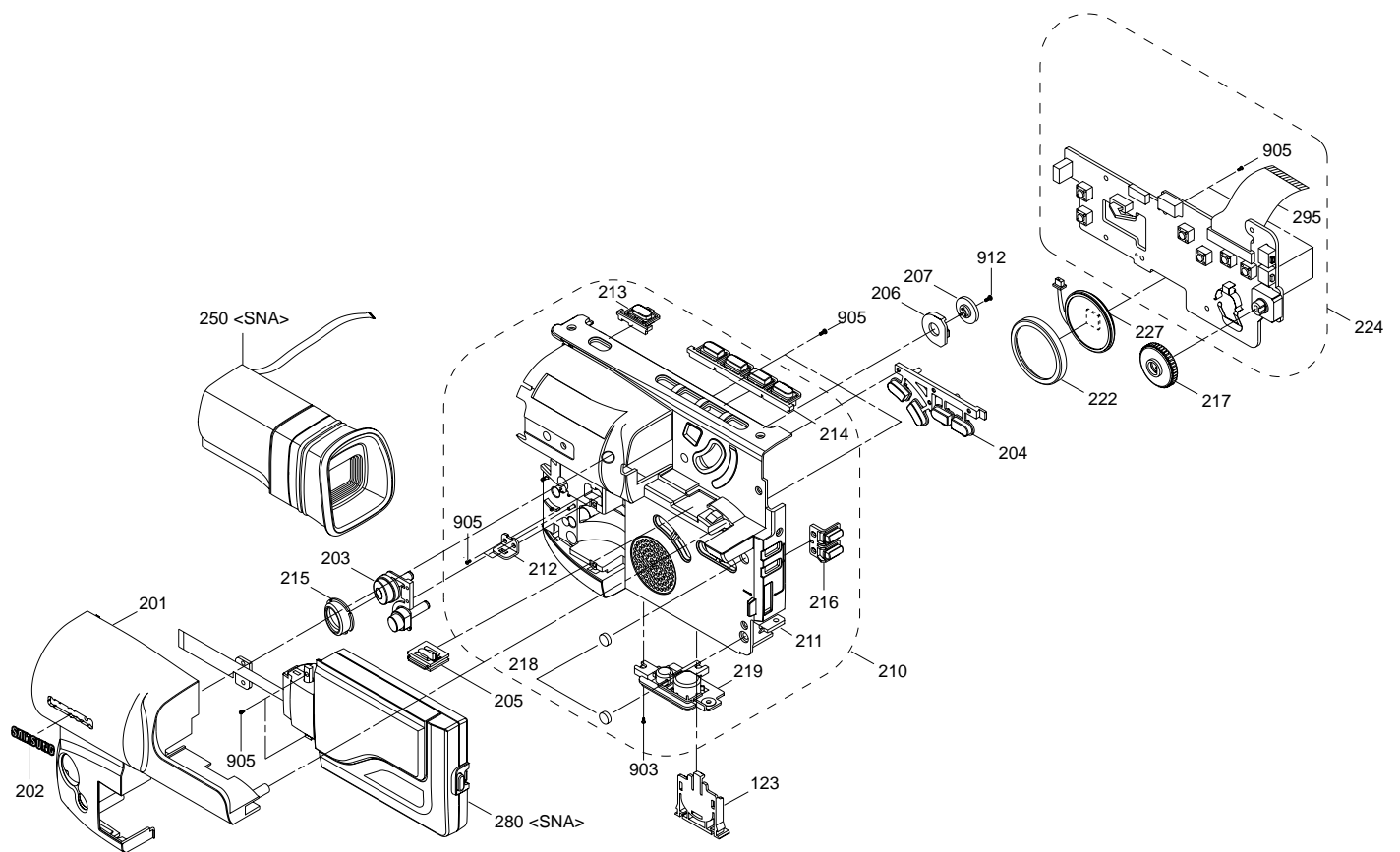

5. Exploded View and Parts List

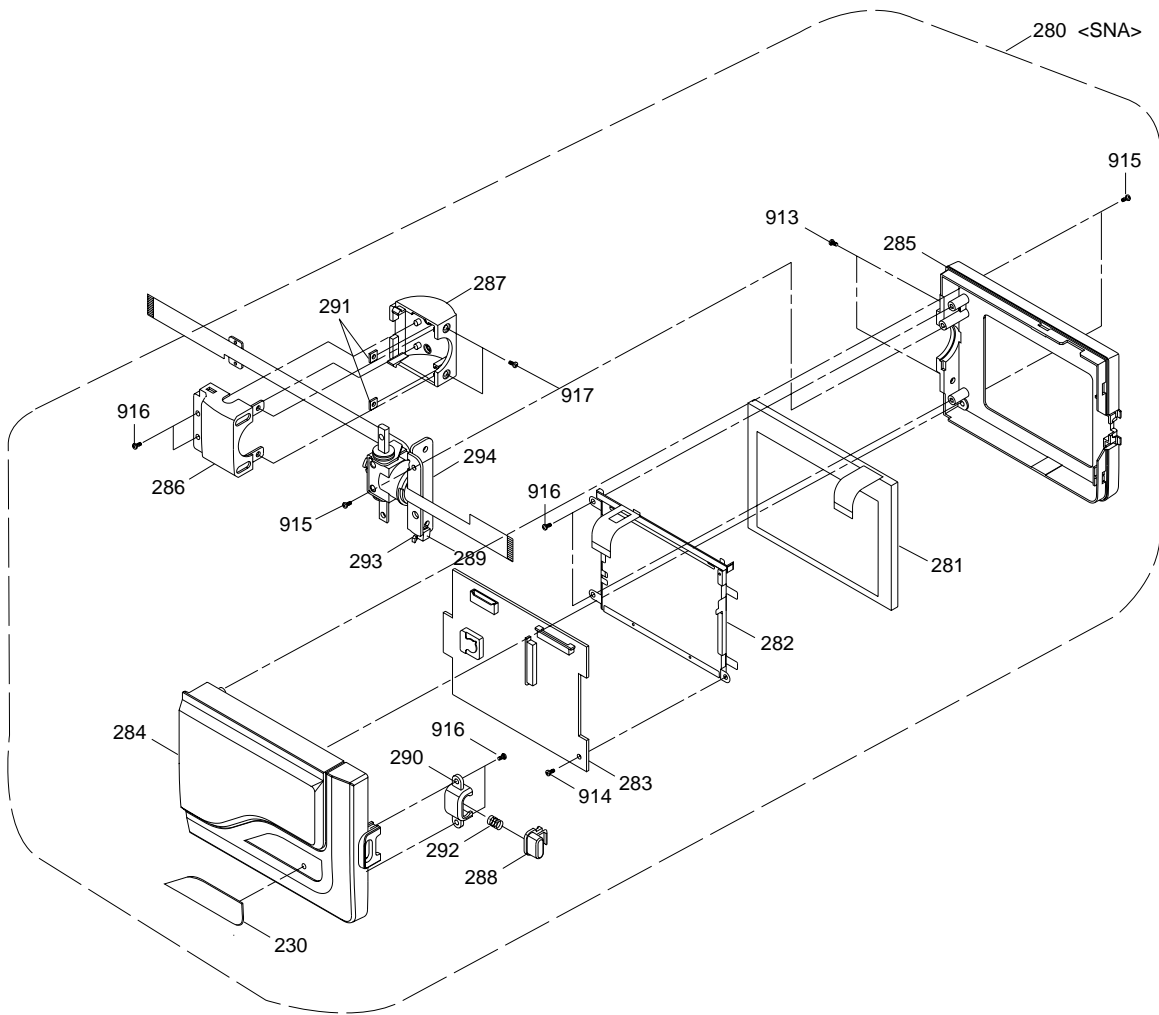
5-1	Cabinet Assembly (1)	-----5-2
5-2	Cabinet Assembly (2)	-----5-4
5-3	Cabinet Assembly (3)	-----5-6
5-4	Cabinet Assembly (4)	-----5-8
5-5	Cabinet Assembly (5)	-----5-10
5-6	Cabinet Assembly (6)	-----5-12
5-7	CVF	-----5-14
5-8	EVF	-----5-16
5-9	Mechanical Parts (1)	-----5-18
5-10	Mechanical Parts (2)	-----5-20
5-11	Mechanical Parts (3)	-----5-22

5-1 Cabinet Assembly (1)



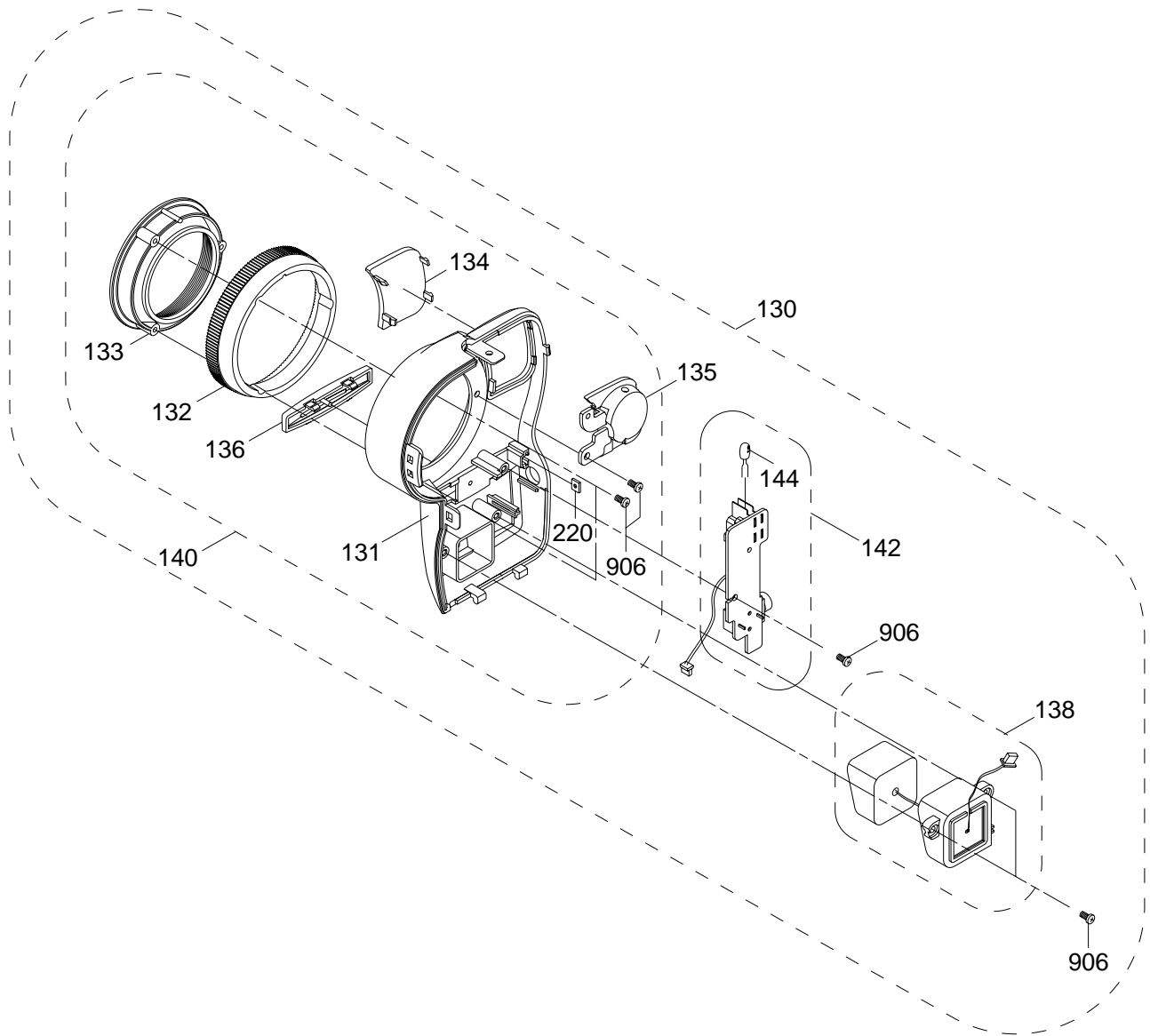
Loc. No	New Part No	Description and Specification	Remark
123	AD63-00065C	COVER-LI BATTERY;W-PJ,-,-,-,ABS94HB,-	ALL
201	AD63-00183A	COVER-LEFT(W2);W-PJ,-,-,-,ABS94HB,-	SCL610
	AD63-00183B	COVER-LEFT(W2);W2-PJ(SCL630),-,-,-,ABS	SCL630
	AD63-00183C	COVER-LEFT(W2);W2-PJ(SCL650),-,-,-,ABS	SCL650
	AD63-00183D	COVER-LEFT(W2);W2-PJ(VP-L600),-,-,-,AB	VP-L600
	AD63-00183E	COVER-LEFT(W2);W2-PJ(VP-L610),-,-,-,AB	VP-L610
	AD63-00183F	COVER-LEFT(W2);W2-PJ(VP-L630),-,-,-,AB	VP-L630
	AD63-00183G	COVER-LEFT(W2);W2-PJ(VP-L650),-,-,-,AB	VP-L650
	AD63-00183P	COVER-LEFT(W2);SCL600,-,-,-,ABS94HB,-	SC-L600
	AD63-00183Q	COVER-LEFT(W2);W2-PJ(VP-L600B),-,-,-,AB	VP-L600B
	AD63-00183R	COVER-LEFT(W2);W2-PJ(VP-L610B),-,-,-,AB	VP-L610B
	AD63-00183S	COVER-LEFT(W2);W2-PJ(VP-L610D),-,-,-,AB	VP-L610D
202	AD64-00183A	BADGE--SAMSUNG(26);-AL,-,25,-,M1-PJ	ALL
203	AD64-00537A	BUTTON-EASY(W2);W2-PJ,ABS 94HB,-,NTR,-	ALL
204	AD64-00427A	BUTTON-FUNCTION(W2);W2-PJ,ABS 94HB,-,G	ALL
205	AD61-00600A	HOLDER-LOCK EVF;W-PJ,-,-,-,POM GRY	ALL
206	AD61-00594A	RAIL-EVF;W1-PJ,-,-,-,-	ALL
207	AD61-00595A	RAIL-LOCK;W1-PJ,-,-,-,-	ALL
210	AD97-02649A	ASSY-CASE LEFT(W2);-W2-PJ,EXP	VP-L600/L600B/L610/L610B/L610D
	AD97-02650A	ASSY-CASE LEFT(W2);-W2-PJ,EXP,V.LIGHT	SCL600/610/630/650 VP-L630/VP-L650
211	AD64-00421A	CASE-LEFT(W2);W2-PJ,-,ABS 94HB,-,-	VP-L600/L600B/L610/L610B/L610D
	AD64-00421B	CASE-LEFT(W2);W2-PJ,V.LIGHT,ABS 94HB,-,-	SCL600/610/630/650 VP-L630/VP-L650
212	AD61-00581A	BRACKET-HINGE;W-PJ,SUS304 1/2H,T1.0,-,-	ALL
213	AD64-00429A	BUTTON-TAPE EJECT;W-PJ,ABS 94HB,-,G353	ALL
214	AD64-00430A	BUTTON-VCR;W-PJ,ABS 94HB,-,G3532	ALL
215	AD64-00536A	KNOB-DUMMY(W2);W2-PJ,ABS94HB,-,G3532,-,-	ALL
216	AD64-00235B	BUTTON-FUNCTION-A(M2);W-PJ,ABS 94HB,-,G3	ALL
217	AD64-00240C	KNOB-DIAL MENU(M2);W-PJ,ABS94HB G3532,-,	ALL
218	AD69-00045A	PAD--LCD;CS99V,-,-,-,-,SILICONE	ALL
219	AD97-03290A	ASSY-TRIPOD;PC G3532,W-PJ,GRAY	ALL
222	AD73-10048A	RUBBER-SPACKER;RUBBER,-,SC-L300,-	ALL
224	AD97-02885A	ASSY-FUNCTION BOARD;-W2-P/J,EVF, W/O RM	SCL610/630 VP-L600/L600B/L610B/L610D
	AD97-03244A	ASSY-FUNCTION BOARD;-W2-P/J,EVF,RMT	SCL600/650/VP-L610/L630/L650
227	AD97-00244A	ASSY--SPEAKER;-SC-L300,S3-PJ,2816S	ALL
250	AD97-02428A	ASSY-EVF;-W1-PJ,NTSC/B&W	SCL600/610/630 <SNA>
	AD97-02429A	ASSY-CVF;-W1-PJ,NTSC/COL	SCL650 <SNA>
	AD97-02430A	ASSY-EVF;-W1-PJ,PAL/B&W	VP-L600/L610/L610D <SNA>
	AD97-03515A	ASSY-EVF;	VP-L630/650 <SNA> VP-L600B/L610B <SNA>
295	3809-001236	CABLE-FLAT;30V,-20to+80C,120mm,19P,1mm,U	ALL
903	AC60-10020A	SCREW-MACHINE;BH,+M2,X5,FZB,FE,UP,-,-	ALL
905	AC60-10054A	SCREW-TAPPING;BH,+,-,M2,X6,FZB	ALL
912	AC60-10073A	SCREW-TAPTITE;BH,+,-,M2,X6,ZP4,FE	ALL

5-2 Cabinet Assembly (2)



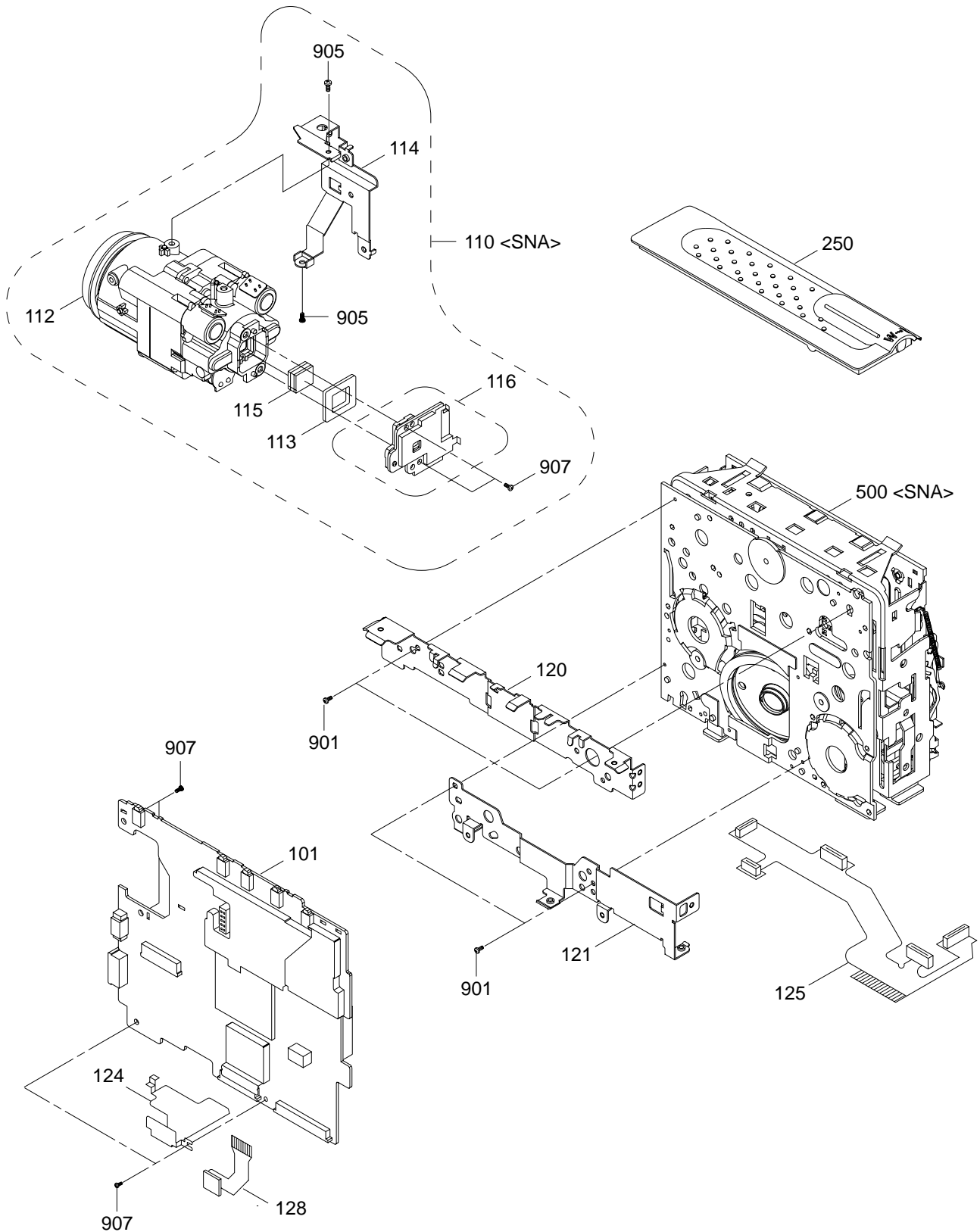
Loc. No	New Part No	Description and Specification	Remark
230	AD64-00586A	INLAY-LEFT(ACRYL);W-PJ,ACRYL,1.0,-,SILVER	ALL
280	AD97-02841A	ASSY-LCD;- ,SCL610,-	SCL600/610 <SNA>
	AD97-02708A	ASSY-LCD;- ,SCL630,-	SCL630 <SNA>
	AD97-02842A	ASSY-LCD;- ,SCL650,-	SCL650 <SNA>
	AD97-02843A	ASSY-LCD;- ,VP-L610,-	VP-L600 <SNA>
	AD97-03376A	ASSY-LCD;ASSY,VP-L610,-	VP-L610 <SNA>
	AD97-02707A	ASSY-LCD;- ,VP-L630,-	VP-L630 <SNA>
	AD97-02844A	ASSY-LCD;- ,VP-L650,-	VP-L650 <SNA>
	AD97-03526A	ASSY-LCD;- ,VP-L600B,-	VP-L600B <SNA>
	AD97-03527A	ASSY-LCD;- ,VP-L610B,-	VP-L610B <SNA>
	AD97-03528A	ASSY-LCD;- ,VP-L610D,-	VP-L610D <SNA>
281	AD07-00005A	LCD-PANNEL;- ,COD25T2028LC,VP-D50,51.3*37	VP-L600/L600B/L610/L610B/L610D VP-L630
	AD07-00020A	LCD;P25LD2,W-PJ,-,60.5X53,2*2.9,FU	SCL600/610/630/650
282	AD97-02233A	ASSY-BL;- ,M2-PJ,2.5',3t,HDBLU25	VP-L600/L600B/L610/L610B/L610D VP-L630
	AD97-02983A	ASSY-BL;- ,W-Pj,2.5',3t,HDBLU25-1	SCL600/610/630/650
283	AD97-02870A	ASSY-ASSY-LCD BOARD;2.5LCD,CS2001,-	VP-L600/L600B/L610/L610B/L610D VP-L630
	AD97-02867A	ASSY-LCD BOARD;2.5,W-Pj,NTSC	SCL600/610/630/650
284	AD64-00442A	CASE-LCD TOP;W2-PJ,-,ABS 94VO,-,-	ALL
285	AD64-00444A	CASE-LCD BOTTOM;W2-PJ,-,ABS 94VO,-,-	SCL600/610/630/650
	AD64-00464A	CASE-LCD BOTTOM;W2-PJ/DOM,-,ABS 94V0,-,D	VP-L600/L610/L630/L650
286	AD63-00188A	COVER-HINGE TOP;W2-PJ,-,-,-,ABS94HB,-	ALL
287	AD63-00190A	COVER-HINGE BOTTOM;W2-PJ,-,-,-,ABS94HB	ALL
288	AD64-00445A	BUTTO-LCD LOCK;W2-PJ,ABS 94HB,-,-,-	ALL
289	AD64-00455A	BUTTO-LCD REVERSE;CS2001V,ABS94HB,-,-,-	ALL
290	AD61-00585A	GUIDE-LCD LOCK;W2-PJ,POM,-,BLK,-,-	ALL
291	AD61-12033A	BRACKET-NUT;SECC,T0.8,SV-D10	ALL
292	AD61-00344A	SPRING-LCD-LOCK;- ,SWPB,-,-,d0.35,D2.7,-,	ALL
293	AD61-00627A	SPRING-LCD-REVERSE;W-PJ,SUS304,-,-,-,-	ALL
294	AD97-02487A	ASSY-HINGE;ASSY,W2-PJ,-	ALL
903	AC60-10020A	SCREW-MACHINE;BH,+ ,M2,X5,FZB,FE,UP,-,-	ALL
905	AC60-10054A	SCREW-TAPPING;BH,+ ,M2,X6,FZB	ALL
912	AC60-10073A	SCREW-TAPTITE;BH,+ ,M2,X6,ZP4,FE	ALL
913	AC60-10019A	SCREW-MACHINE;BH,+ ,M2,X4,FZB,FE,UP,-,-	ALL
914	6001-001291	SCREW-MACHINE;CH(0.5),*,M1.7,L4,NI PLT,S	ALL
915	AC60-10043A	SCREW-TAPPING;BH,+ ,M1.7,X6,ZP4	ALL
916	AC60-12128A	SCREW-TAP TITE BH;- ,BH,4 1.7,I4,-,FE,BLK	ALL
917	3809-001236	CABLE-FLAT;30V,-20to+80C,120mm,19P,1mm,U	ALL

5-3 Cabinet Assembly (3)



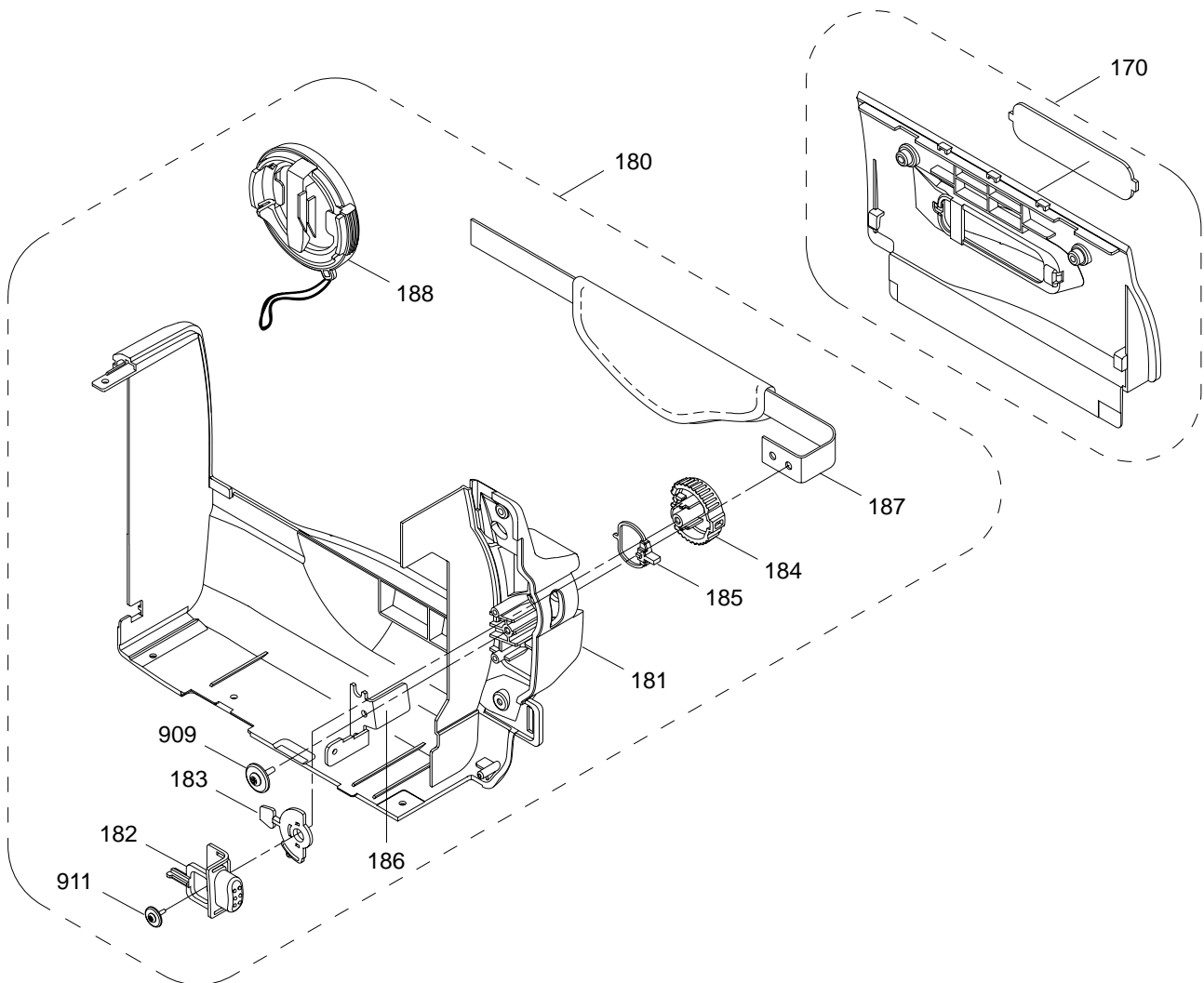
Loc. No	New Part No	Description and Specification	Remark
130	AD97-02598A	ASSY-CASE FRONT;- ,VP-W61,500X,MIC(X),LIG	SCL600/VP-L600/L610/L610D
	AD97-02599A	ASSY-CASE FRONT;- ,SCW61,500X,MIC(X),LIGH	SCL610
	AD97-02600A	ASSY-CASE FRONT;- ,SCW64,500X,MIC(O),LIGH	SCL630/650/VP-L630/L650
	AD97-03471A	ASSY-CASE FRONT;- ,	VP-L600B/L610B
131	AD64-00533A	CASE-FRONT;W-PJ,500X,MIC(X),ABS 94HB,-,-	SCL600/610/VP-L600/L610/L610D
	AD64-00533B	CASE-FRONT;W-PJ,500X, MIC(O),ABS 94HB,-,-	SCL630/650/VP-L630/L650
	AD64-00533E	CASE-FRONT;W-PJ,500X,	VP-L600B/L610B
132	AD67-00115A	LENS-HOOD(AL);W-PJ,-,-,A6063A-T5(AL10),-	ALL
133	AD67-00038C	LENS-HOOD(22X);W-PJ,-,-,SILK,ABS94HB,-,BLK	ALL
134	AD63-00211A	COVER-DUMMY LAMP;W-PJ,-,-,-,-,ABS94HB,-	SCL600
	AD64-00534A	MASK-LAMP;W-PJ,PC-CLR,-,-,-,-	VP-L600/L610/L600B/L610B/L610D
135	AD67-00114A	MIRROR-LAMP;W-PJ,TOPLAMID+AL,-,-,-,-,-	SCL610/630/650/VP-L630/L650
136	AD64-00535A	WINDOW-REMOCON;W-PJ,PMMA,-,-,-,-,BLUE,-	ALL
138	AD97-01460A	ASSY-MIC;CS2000,-,MONO	ALL
140	AD97-03073A	ASSY-UNIT FRONT;- ,W-PJ,500X,MIC(X),LIGHT	SCL600/VP-L600/L610/L610D
	AD97-03074A	ASSY-UNIT FRONT;- ,W-PJ,500X,MIC(X),LIGHT	SCL610
	AD97-03076A	ASSY-UNIT FRONT;- ,W-PJ,500X,MIC(O),LIGHT	SCL630/650/VP-L630/L650
	AD97-03480A	ASSY-UNIT FRONT;- ,W-PJ,500X,	VP-L600B/L610B
142	AD97-02891A	ASSY-FRONT BOARD;- ,W-P/J,SC-W61	SCL610
	AD97-02307A	ASSY-FRONT BOARD;- ,W-P/J,-	SCL630/650/VP-L630/L650
144	4713-001152	LAMP-PURE XENON;6V,500mA,3W,-,50Lm,-,3.8	SCL610/630/650/VP-L630/L650
220	AC61-32047A	PLATE-NUT;SECC,T0.8,-,-,SV-V40	ALL
906	AC60-10061A	SCREW-TAPPING;BH,+,-,M2,X5,ZPC	ALL

5-4 Cabinet Assembly (4)



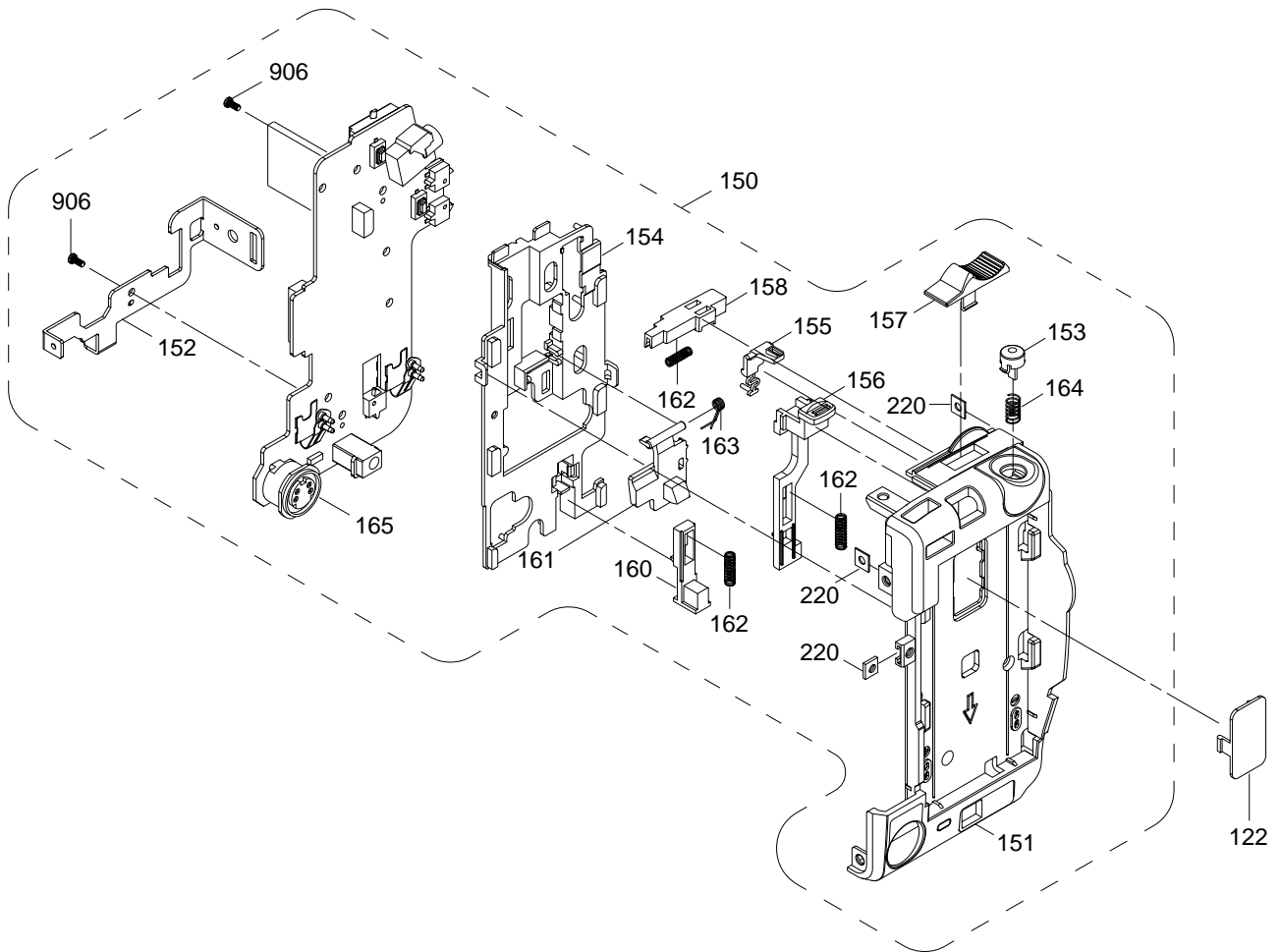
Loc. No	New Part No	Description and Specification	Remark
101	AD97-02464R	ASSY-MAIN BOARD;SC-L600/XAC,NTSC,NOR	SC-L600
	AD97-02464D	ASSY-MAIN BOARD;SC-L610/XAA,W2-PJ NTSC,N	SC-L610
	AD97-02464E	ASSY-MAIN BOARD;SC-L630/XAA,W2-PJ NTSC,N	SC-L630
	AD97-02464F	ASSY-MAIN BOARD;SC-L650/XAA,W2-PJ NTSC,H	SC-L650
	AD97-02464Q	ASSY-MAIN BOARD;VP-L600/XEU,W2-PJ PAL,NO	VP-L600/L600B
	AD97-02464A	ASSY-MAIN BOARD;VP-L610/XEU,W2-PJ PAL,NO	VP-L610/L610B/L610D
	AD97-02464B	ASSY-MAIN BOARD;VP-L630/XEU,W2-PJ PAL,NO	VP-L630
	AD97-02464C	ASSY-MAIN BOARD;VP-L650/XEU,W2-PJ PAL,HI	VP-L650
110	AD97-02897A	ASSY-CAMERA;-,-,W2-P/J,NTSC,NORMAL	SCL600/610/630/650 <SNA>
	AD97-02898A	ASSY-CAMERA;-,-,W2-P/J,PAL,NORMAL	VP-L600/L600B/L610 <SNA>
			VP-L610B/L610D/L630 <SNA>
	AD97-02899A	ASSY-CAMERA;-,-,W2-P/J,PAL,HI8	VP-L650 <SNA>
112	AD97-03040A	ASSY-LENS;-,-,WSHS	ALL
113	AD60-00034A	SPACER-CCD;-,-,-,BLK,M1-PJ	SCL600/610/630/650VP-L600
			VP-L600B/L610/L610B/L610D/L630
	AD63-62008A	SPACER-CCD;-,-,SILICON,22X,-,-,SC-L350	VP-L650
114	AD61-00576A	BRACKET-LENS(22X-180);W-PJ,SUS304,T0.5,-	ALL
115	AD29-92001F	FILTER-OLP;OG-BF455,KDS,SPACE,TR,-	SCL600/610/630/650/VP-L600
			VP-L600B/L610/L610B/L610D/L630
	AD29-00007A	FILTER-OLP;-,-,1SC141C2MM,-,-,BOX,VP-M52,-	VP-L650
116	AD97-03009A	ASSY-CCD;-,-,W-PJ,270K,SONY	SCL600/610/630/650
	AD97-03010A	ASSY-CCD;-,-,W-PJ,320K,SONY	VP-L600/L600B/L610/L610B/L610D
			VP-L630
	AD97-03011A	ASSY-CCD;-,-,W-PJ,470K,SONY	VP-L650
120	AD61-00222A	CHASSIS-TOP;-,-,SUS304,-,-,T0.5,-,-,-,-,M1	ALL
121	AD61-00321A	CHASSIS-BOTTOM;-,-,SUS304,-,-,T0.5,-,-,-,-,D	ALL
124	AD63-00131A	SHIELD-CASE TBC;-,-,SPTE T0.2,-,-,M-PJ,CS2	ALL
125	AD92-00005A	ASSY PCB-DECK FPC;M-PJ DE-6D,DECK FPC	ALL
128	AD97-01624A	ASSY-FPC ROTARY;VP-M52,-,-,M-PJ DE-6D	ALL
250	AD64-00422A	CASE-TOP;W-PJ,-,-,ABS 94HB,-,-,G3532	ALL
500	AD97-01898A	ASSY-DECK;-,-,DE-6F,PAL	VP-L600/L600B/L610 <SNA>
			VP-L610B/L610D/L630/L650 <SNA>
	AD97-01899A	ASSY-DECK;-,-,DE-6F,NTSC	SCL600/610/630/650 <SNA>
901	AC60-10017A	SCREW-MACHINE;BH,+,-,M1.7,X3.5,FEFZY,SWCH1	ALL
905	AC60-10054A	SCREW-TAPPING;BH,+,-,M2,X6,FZB	ALL
907	AC60-10024A	SCREW-MACHINE;BH,+,-,M2,X3,FZW,FE,-,-,-	ALL

5-5 Cabinet Assembly (5)



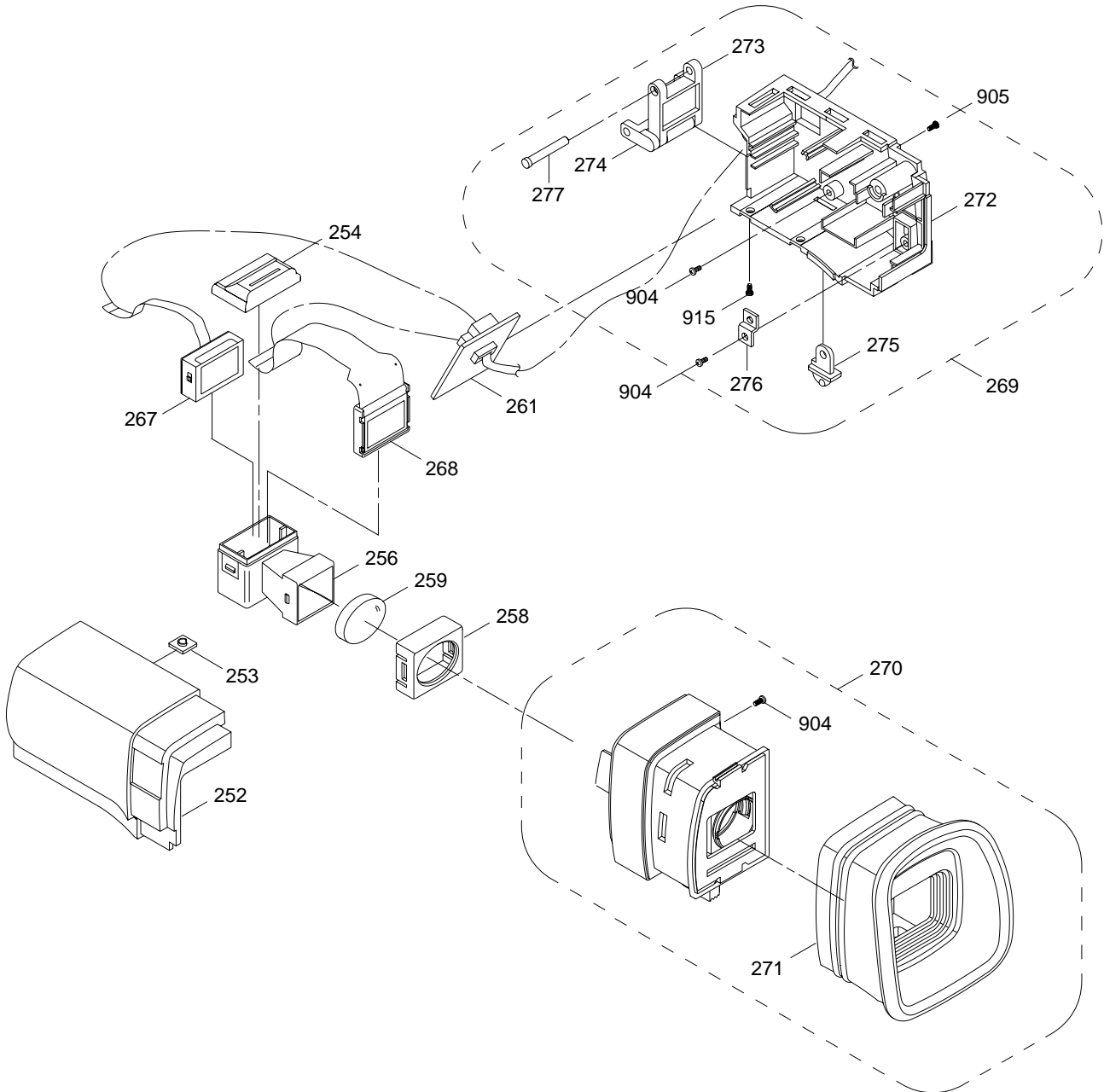
Loc. No	New Part No	Description and Specification	Remark
170	AD97-02642A AD97-02643A	ASSY-COVER HOUSING;- ,W-PJ,NORMAL ASSY-COVER HOUSING;- ,W-PJ,Hi8	VP-L600 SCL600/610/630/650 VP-L600B/L610/L610B/L610D VP-L630/L650
180	AD97-02605A	ASSY-CASE RIGHT;- ,W-PJ,EXP	ALL
181	AD64-00419A	CASE-RIGHT;W-PJ,- ,ABS 94HB,- ,G3532	ALL
182	AD64-00424A	BUTTON-REC/STOP;W-PJ,ABS 94HB,- ,G3532	ALL
183	AD61-00575A	HOLDER-POWER;W-PJ,- ,BLK,- ,POM	ALL
184	AD64-00433A	KNOB-POWER;W-PJ,ABS 94HB,- ,G3532,- ,,-	ALL
185	AD64-00457A	LOCKER-POWER;W-PJ,ABS94HB, GREEN,- ,,-	ALL
186	AD61-00214A	BRACKET-GRIP BACK;- ,,- ,T0.8,- ,SUS304,M1	ALL
187	AD59-00044A	UNIT-BELT GRIP;W-PJ,- ,,- ,,- ,,- ,SA	ALL
188	AD97-03191A	ASSY-CAP HOOD;- ,W-PJ,G3532	ALL
909	AD60-00003A	SCREW-TAPTITE;- ,+,- ,H8.5,2X6,-	ALL
911	AD60-10509A	SCREW-TAP TITE;- ,PWH,+,- ,M2X5,5,-	ALL

5-6 Cabinet Assembly (6)



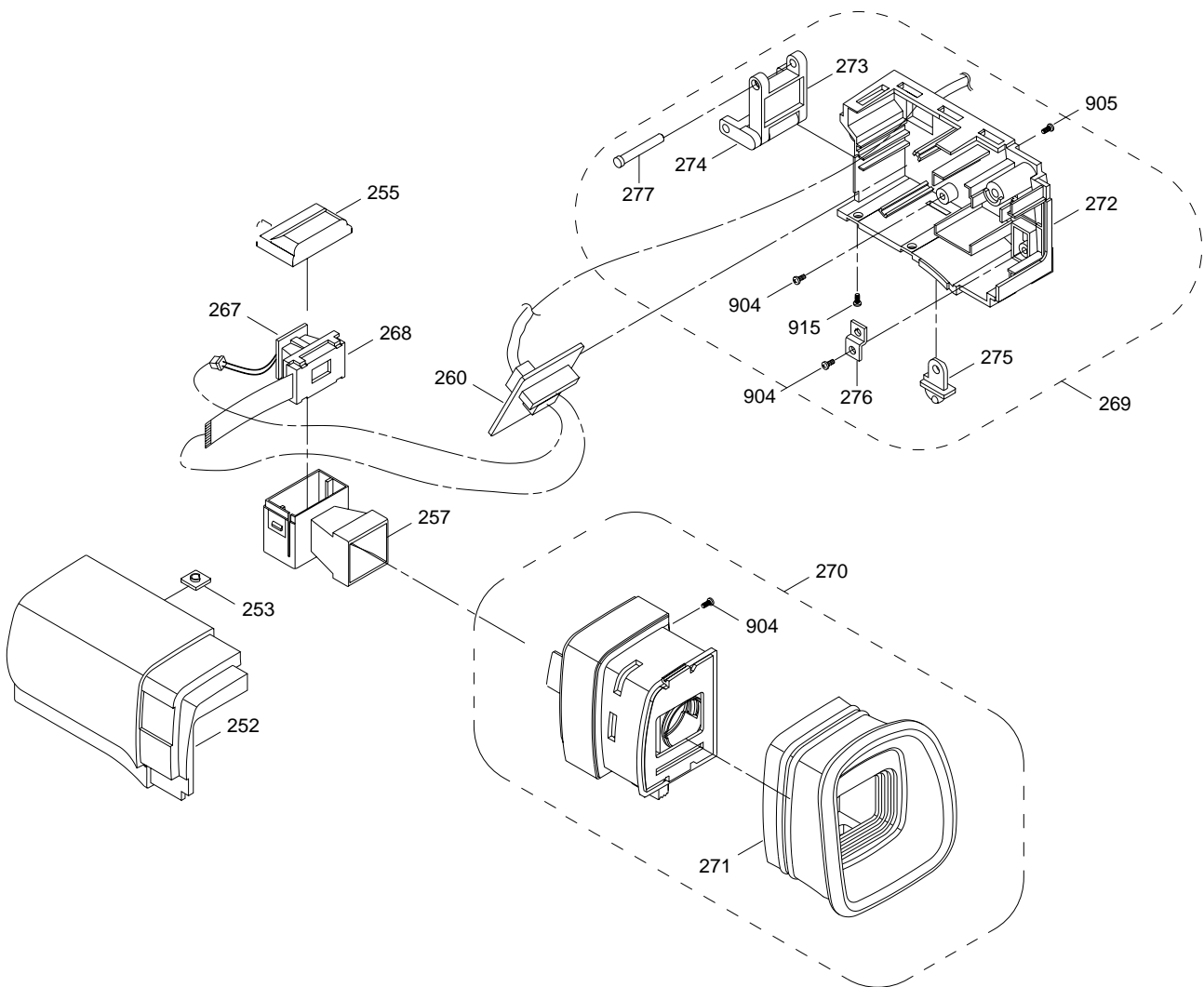
Loc. No	New Part No	Description and Specification	Remark
122	AD63-00064D	COVER-JIG;W-PJ,-,-,D/GRY,ABS94HB,-	ALL
150	AD97-02602A	ASSY-CASE REAR;- ,SCW61,NOR,D.ZOOM	VP-L600
	AD97-02604A	ASSY-CASE REAR;- ,SCL650,Hi8,S.SHOT	SCL630/650/VP-L630/L650
	AD97-03188A	ASSY-CASE REAR(W2);- ,W2-PJ,Hi8,D.ZOOM	SCL600/610/VP-L610/L610B/L610D
151	AD64-00418A	CASE-REAR;W-PJ,-,ABS 94HB,-,-	VP-L600
	AD64-00418C	CASE-REAR;W-PJ,Hi8,S.SHOT,ABS 94HB,-,-	SCL630/650/VP-L630/L650
	AD64-00418E	CASE-REAR;W-PJ,Hi8,D.ZOOM,ABS 94HB,-,-	SCL600/610/VP-L610/L610B/L610D
152	AD61-00578A	BRACKET-REAR(W2);W2-PJ,SUS304,T0.8,-,-	ALL
153	AD64-00423A	BUTTON-SNAP SHOT;W-PJ,ABS 94HB,-,-,G3532	ALL
154	AD61-00573A	HOLDER-BATTERY EJECT;W-PJ,-,-,-,ABS94H	ALL
155	AD61-00574A	HOLDER-SNAP SHOT;W-PJ,-,-,-,POM NTR	ALL
156	AD64-00431A	KNOB-BATTERY EJECT;W-PJ,ABS 94HB,-,G3532	ALL
157	AD64-00432A	KNOB-ZOOM;W-PJ,ABS 94HB,-,G3532,-,-,-	ALL
158	AD61-00602A	HOLDER-ZOOM;W-PJ,-,-,-,POM NTR	ALL
160	AD64-00176B	KNOB-DIDECTOR;W-PJ,ABS 94HB,-,-,-,-	ALL
161	AD64-00182B	LOCKER-BATTERY;W-PJ,POM,BLK,-,-,-	ALL
162	AD61-00218A	SPRING--BATTERY EJECT;- ,M1-PJ,-,-,0.2,-,	ALL
163	AD61-00219A	SPRING--BATTERY LOCK;- ,M1-PJ,-,-,0.2,-,-	ALL
164	AD61-00220A	SPRING--SNAP SHOT;- ,M1-PJ,-,-,0.2,-,-,-	ALL
165	AD97-02890A	ASSY-REAR BOARD;- ,W-P/J,Hi8,S.SHOT	VP-L600/L600B/L610/L610B VP-L610D/L630
	AD97-02894A	ASSY-REAR BOARD;- ,W2-PJ,Hi8	SCL600/610/630/650/VP-L650
220	AC61-32047A	PLATE-NUT;SECC,T0.8,-,-,SV-V40	ALL
906	AC60-10061A	SCREW-TAPPING;BH,+,-,M2,X5,ZPC	ALL

5-7 CVF



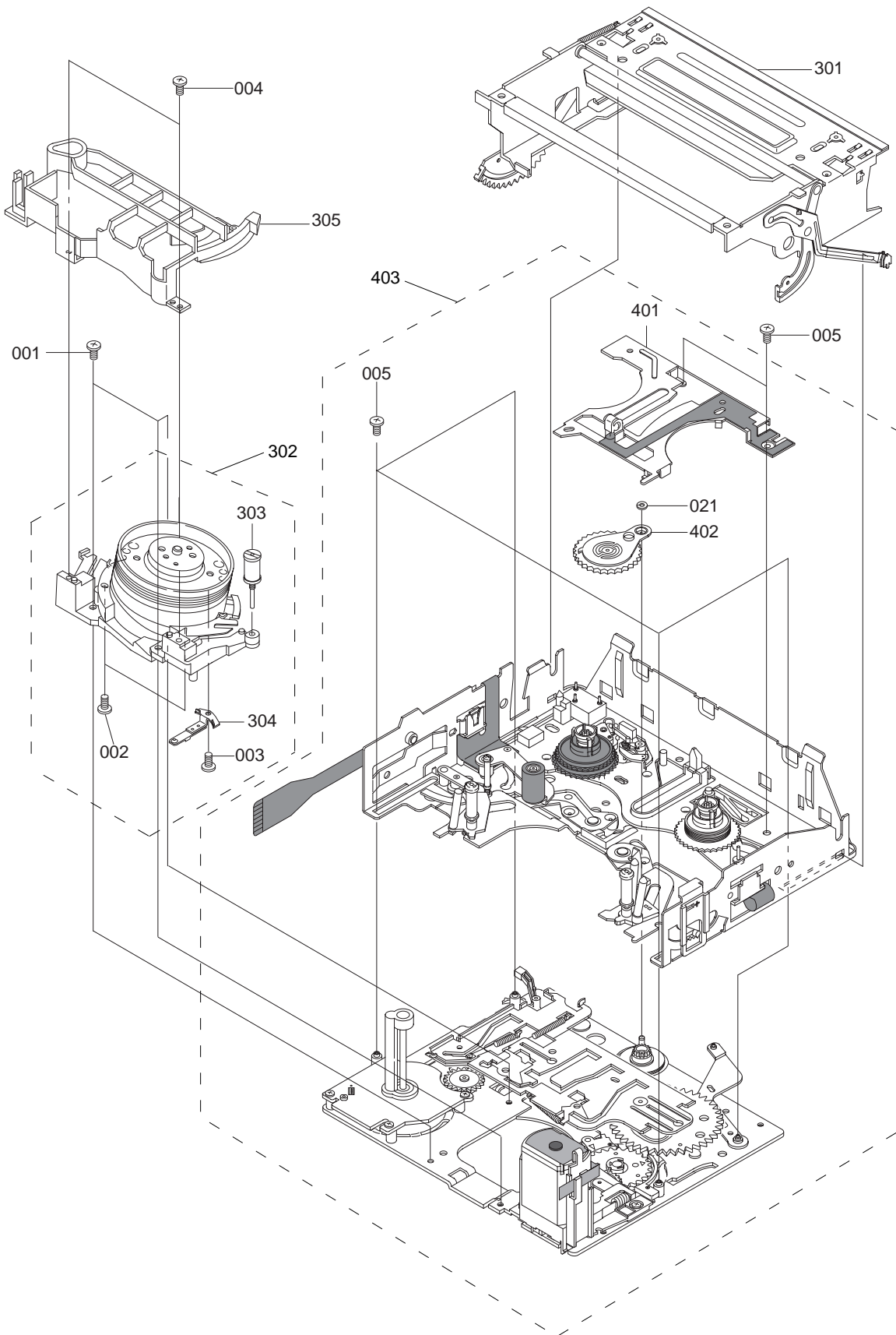
Loc. No	New Part No	Description and Specification	Remark
252	AD64-00450B	CASE-EVF L;W1-PJ/PAL,-,ABS94VO,-,-	ALL
253	AC61-32047A	PLATE-NUT;SECC,T0.8,-,-,SV-V40	ALL
254	AD61-00319A	HOLDER--CVF TOP;-,-,ABS 94VO,-,-,1∞≥,CS200	SCL650
256	AD61-00228A	HOLDER--CVF BOTTOM;-,-,ABS94VO,-,-,BLK,-,-,M1-	SCL650
258	AD61-00252A	HOLDER-COVER-LENS;-,-,ABS84HB,-,-,BLK,-,-,M1-P	SCL650
259	AD67-00026A	LENS--EVF-M-G2;-,-,PC,1.24,D11.2,-,-,EVF	SCL650
261	AD97-02703A	ASSY-CVF BOARD;-,-,W2-P/J,NT/PAL	SCL650
267	AD97-01103A	ASSY-BL;-,-,M1-PJ,0.44,5t,BUA0121A	SCL650
268	AD07-00008A	LCD-PANNEL;-,-,LCX032ANB-8,VP-D50,0.44INCH	SCL650
269	AD97-02442A	ASSY-CASE EVF R;-,-,W1-PJ,-	SCL650
270	AD97-02440A	ASSY-CVF LENS;-,-,W1-PJ,0.44Inch/COL	SCL650
271	AD73-00040A	RUBBER-EYE CUP;W1-PJ,SILICON,-,-,-,-,-,-	ALL
272	AD64-00452A	CASE-EVF R;W1-PJ,-,-,ABS 94VO,-,-,BW/COL	ALL
273	AD66-00105A	LINK-EVF;W1-PJ,POM BLK,-,-,-,-,-	ALL
274	AD66-00106A	LINK-LOCK;W1-PJ,ABS 94HB,-,-,-,-,-	ALL
275	AD64-00458A	LOCKER-EVF;W1-PJ,POM,-,-,-,-,-	ALL
276	AD61-00104A	GUIDE-PLATE;-,-,SPT T0.8,-,-,-,-,-,ES400V	ALL
277	AD61-00297A	SHAFT-EVF;-,-,SUS303,-,-,-,-,-,CS2000	ALL
904	AC60-10055A	SCREW-TAPPING;BH,+,-,-,M2,X4,FZB	ALL
905	AC60-10054A	SCREW-TAPPING;BH,+,-,-,M2,X6,FZB	ALL
915	AC60-10043A	SCREW-TAPPING;1.7X6	ALL

5-8 EVF



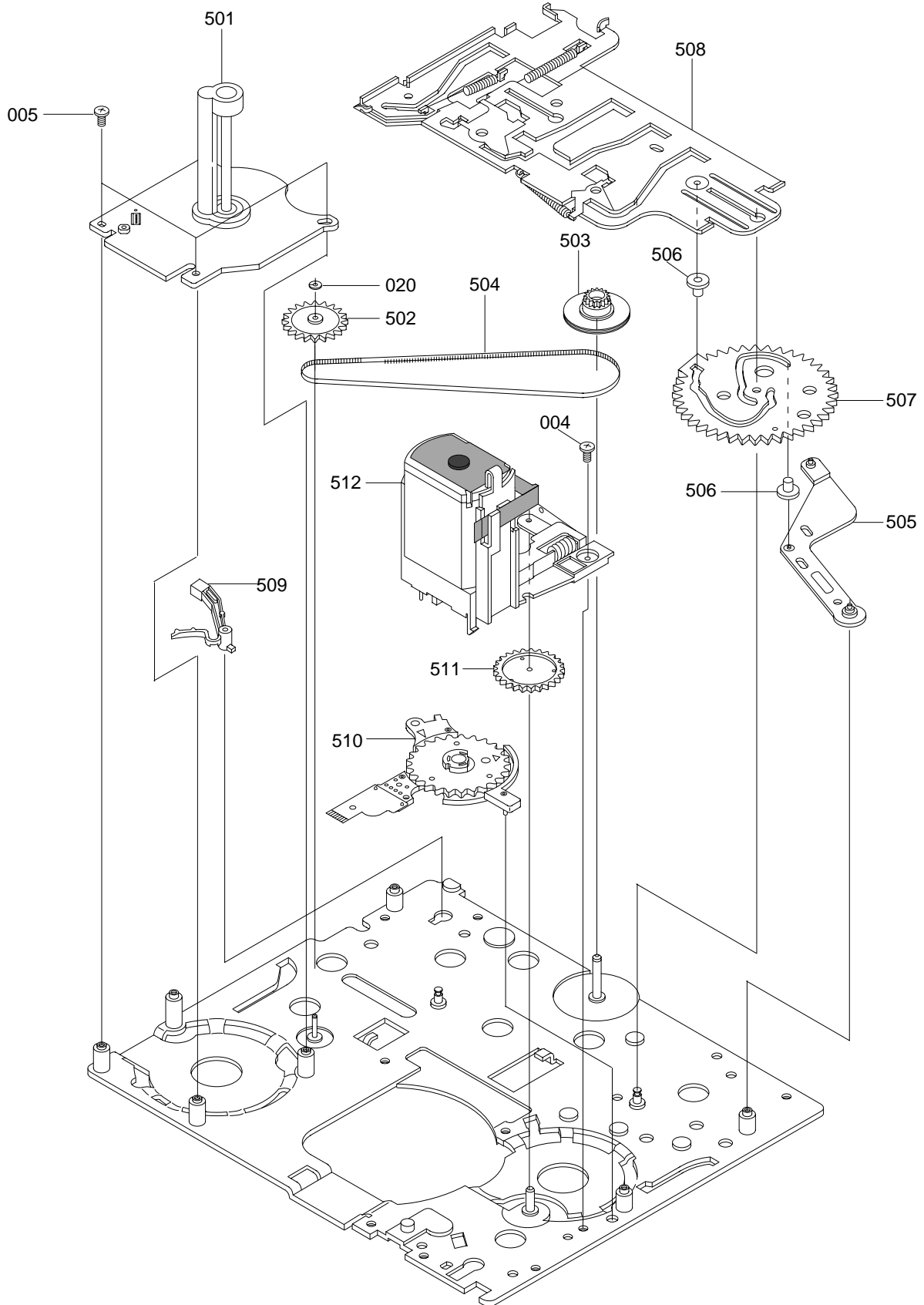
Loc. No	New Part No	Description and Specification	Remark
252	AD64-00450B	CASE-EVF L;W1-PJ/PAL,-,ABS94VO,-,-	ALL
253	AC61-32047A	PLATE-NUT;SECC,T0.8,-,-,SV-V40	ALL
255	AD61-00430A	HOLDER-CVF TOP;SC-D55,ABS 94HB BLK,-,-,-	SCL600/610/630 VP-L600/L600B/L610/L610B/L610D VP-L630/L650
257	AD61-00408A	HOLDER-CVF BOTTOM;M1-PJ/0.24INCH,-,-,-	SCL600/610/630 VP-L600/L600B/L610/L610B/L610D VP-L630/L650
260	AD97-02701A	ASSY-EVF BOARD;-,-,W2-P/J,NTSC	SCL600/610/630
	AD97-02702A	ASSY-EVF BOARD;-,-,W2-P/J,PAL	VP-L600/L600B/L610/L610B/L610D VP-L630/L650
267	AD97-01102A	ASSY-BL;M1-PJ,-,0.24,5t	SCL600/610/630 VP-L600/L600B/L610/L610B/L610D VP-L630/L650
268	AD07-00009A	LCD-PANNEL;- ,MCVVQ410(320),VP-D50,0.24IN	SCL600/610/630 VP-L600/L600B/L610/L610B/L610D VP-L630/L650
269	AD97-02442A	ASSY-CASE EVF R;- ,W1-PJ,-	SCL600/610/630 VP-L600/L610/L610D/L630/L650
	AD97-03523A	ASSY-CASE EVF R;- ,	VP-L600B/L610B
270	AD97-02441A	ASSY-EVF LENS;- ,W1-PJ,0.24Inch/B&W	SCL600/610/630 VP-L600/L600B/L610/L610B/L610D VP-L630/L650
271	AD73-00040A	RUBBER-EYE CUP;W1-PJ,SILICON,-,-,-,-,-	ALL
272	AD64-00452A	CASE-EVF R;W1-PJ,-,ABS 94VO,-,BW/COL	ALL
273	AD66-00105A	LINK-EVF;W1-PJ,POM BLK,-,-,-,-,-	ALL
274	AD66-00106A	LINK-LOCK;W1-PJ,ABS 94HB,-,-,-,-,-	ALL
275	AD64-00458A	LOCKER-EVF;W1-PJ,POM,-,-,-,-,-	ALL
276	AD61-00104A	GUIDE-PLATE;- ,SPT T0.8,-,-,-,-,ES400V	ALL
277	AD61-00297A	SHAFT-EVF;- ,SUS303,-,-,-,-,CS2000	ALL
904	AC60-10055A	SCREW-TAPPING;BH,+,-,M2,X4,FZB	ALL
905	AC60-10054A	SCREW-TAPPING;BH,+,-,M2,X6,FZB	ALL
915	AC60-10043A	SCREW-TAPPING;1.7X6	ALL

5-9 Mechanical Parts (1)



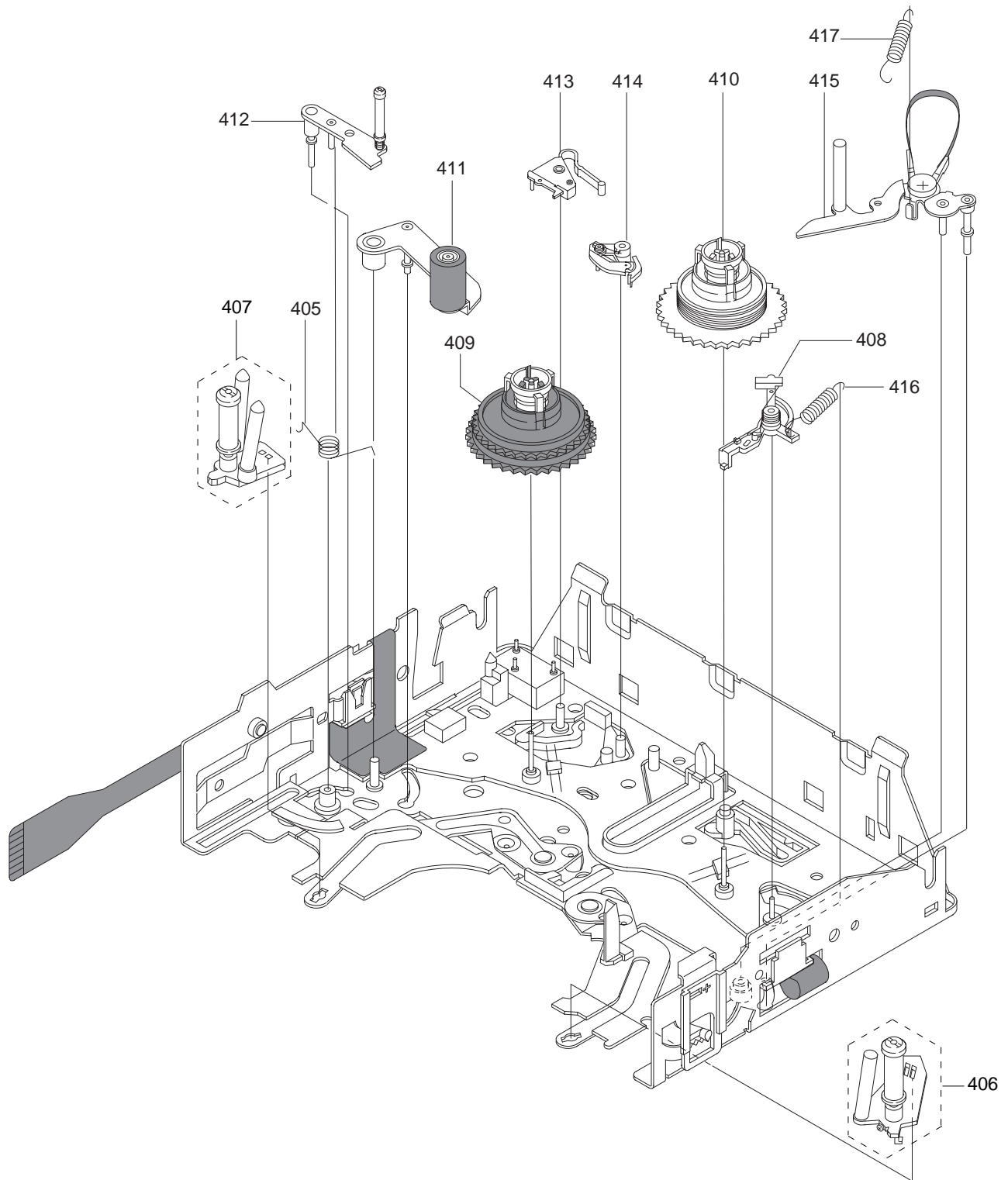
Loc. No	New Part No	Description and Specification	Remark
001	AC60-12083A	SCREW-MACHINE;B,BH,-,M1.7,L5,FE,WHT,-,-	
002	AD60-10500E	SCREW-MACHINE;- ,BWSH,+ ,UP,M2,L5,ZPCNYLOK	
003	AD60-10500D	SCREW-MACHINE;- ,BWSH,+ ,UP,M2,L7,ZPCNYLOK	
004	AC60-10017A	SCREW-MACHINE;BH,+ ,M1.7,X3.5,FEFZY,SWCH1	
005	AC60-12112A	SCREW-BH;- ,BH,+ ,M1.4,L2,-	
021	AC60-30015A	WASHER-SLIT;ID 1.1,OD 2.6,T 0.4,POLYSLID	
301	AD96-10473P	ASS'Y-HOUSING;DE-6B,-	
302	AD97-00727A	ASSY-DRUM;DE-6D,-,NTSC	NTSC MODELS
	AD97-00728A	ASSY-DRUM;DE-6D,-,PAL	PAL MODELS
303	AD66-40153A	ROLLER-IMP ASS'Y;- ,YF-10,OD7,-,DE-6	
304	AC61-72009A	CONTACT-EARTH BRUSH;SECC/PBSP/CR/C,-,-,-	
305	AC63-32091A	COVER-DRUM;DURACON(M90-44),-,-,-,-,DE-	
401	AC63-30009A	COVER-REEL ASS'Y;ABS 95,HB,-,-,-,-,DE-6,-	
402	AC66-12035A	IDLER-ASS'Y;-,-,DE-6	
403	AD97-01691A	ASSY-DECK;DE-6E,-,DECK	

5-10 Mechanical Parts (2)



Loc. No	New Part No	Description and Specification	Remark
004	AC60-10017A	SCREW-MACHINE;BH,+,M1.7,X3.5,FEFZY,SWCH1	
005	AC60-12112A	SCREW-BH;- ,BH,+,M1.4,L2,-	
020	AC60-30017A	WASHER-SLIT;ID 1,OD 2.6,T 0.4,POLYSLIDER	
501	AD31-12010A	MOTOR-CAPSTAN;DE-6B SHS,-,-	
	AD31-12001Q	MOTOR-CAPSTAN;DMCCHL06A(DE-6),-,-	
502	AC66-22123A	GEAR-CAPSTAN(ASS'Y);-,-,-,-,DE-6	
503	AC66-22124A	GEAR-PULLEY(ASS'Y);-,-,-,-,DE-6	
504	AC66-62001A	BELT-TIMMING;POLYURETHAN,L137 T0.4,-,-,-	
505	AC66-32197A	LEVER-CAM;SUS430-CP,T0.6,-,-,DE-6,-	
506	AC66-42005A	ROLLER-CAM MAIN;SUS303,-,-,PI3.5X1.1	
507	AC66-22092A	GEAR-CAM MAIN;SUS304-CSP,M0.5,Z64,-,-,-	
508	AC66-82055A	SLIDER-MAIN(ASS'Y);-,-,-,-,DE-6	
509	AC66-32198A	LEVER-EJECT;DURANEX #3300,-,-,-,DE-6,-	
510	AC34-22001C	SWITCH-MODE ASS'Y;HMW0484-01WA,DE-6,-,-,-	
511	AC66-22126A	GEAR-LOADING;DURACON(99-44),M0.4,Z37 WO,	
512	AC31-12001P	MOTOR-LOADING ASS'Y;DE-6,-,-	

5-11 Mechanical Parts (3)



Loc. No	New Part No	Description and Specification	Remark
405	AD61-60622A	SPRING-REVIEW ARM;PS SUS304-WPB PI0.3	
406	AC61-52014A	POLE-BASE S(ASS'Y);ZDC2/SUS303,-,-,-,DE	
407	AC61-52015A	POLE-BASE T(ASS'Y);ZDC2/SUS303,-,-,-,DE	
408	AC66-32221A	BRAKE-SUB S(ASS'Y);-,-,-,DE-6,-	
409	AC66-12042A	REEL-T(ASS'Y);-,-,-,DE-6	
410	AC66-12041A	REEL-S(ASS'Y);-,-,-,DE-6	
411	AC66-32217A	ARM-PINCH ROLLER(ASS;-,-,-,DE-6	
412	AC66-32213A	ARM-REVIEW ASS'Y;-,-,-,DE-6	
413	AC66-32223A	BRAKE-MAIN(T);DURACON(M904-44),-,-,-,-	
414	AC66-30120A	BRAKE-SOFT T (ASS'Y);-,-,-,DE-6,-	
415	AC66-30093A	ARM-TENSION (ASS'Y);SUS304-CSP POM FELT,-	
416	AC61-62022A	SPRING-SOFT BRAKE(S);-,SUS304,-,-,-,-	
417	AC61-62023A	SPRING-TENSION;- ,SUS304-WPB,-,-,-,-	

MEMO