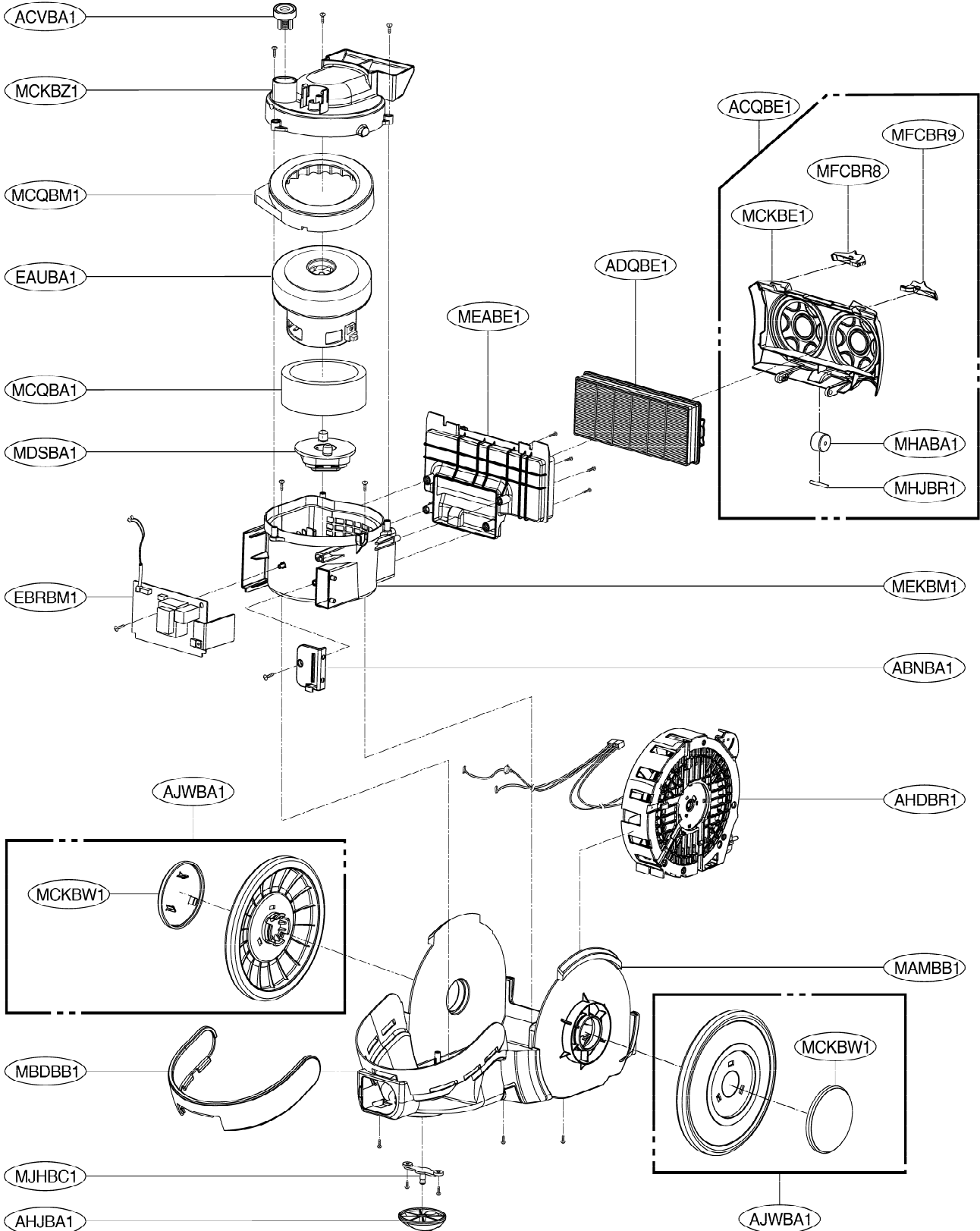


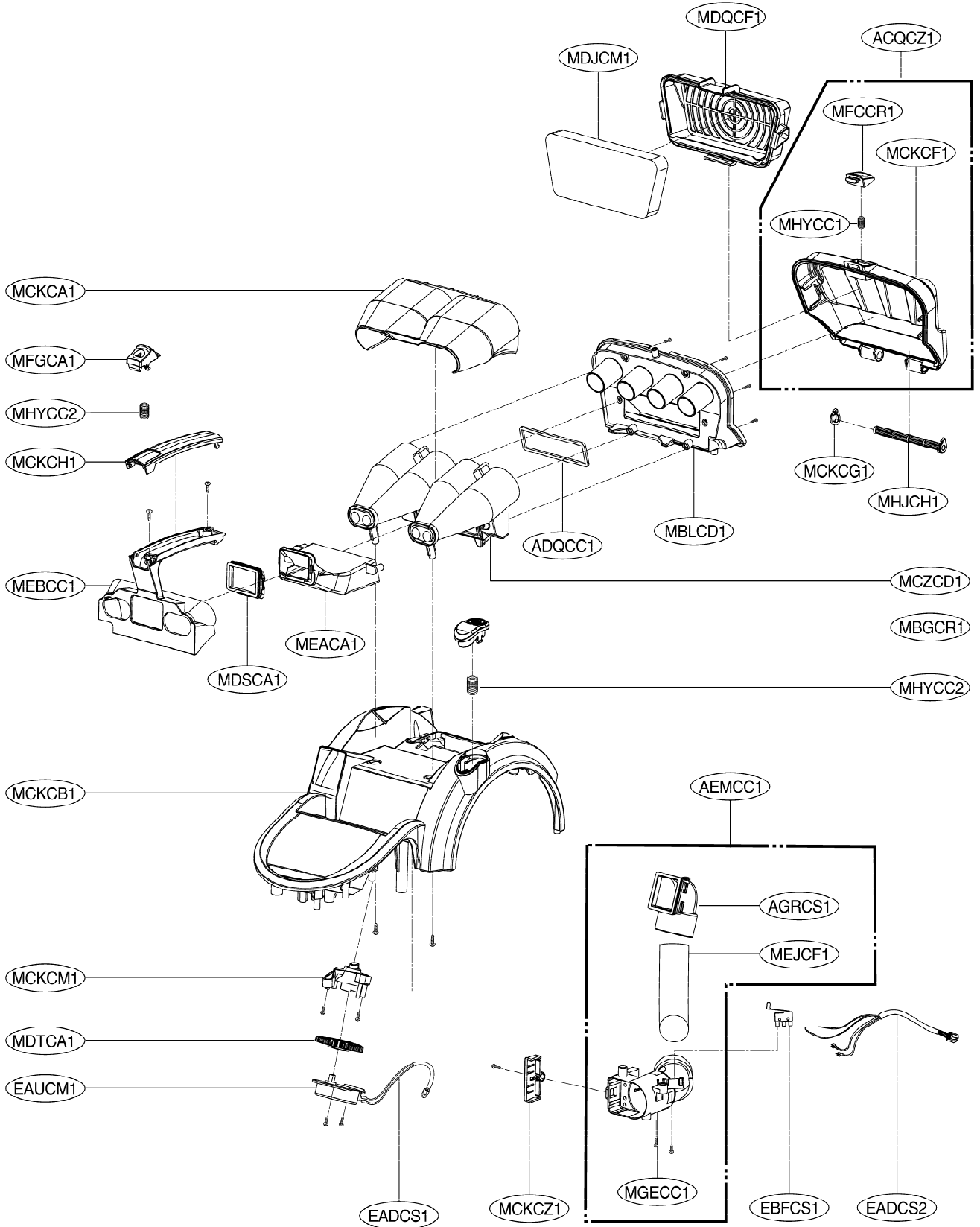
# EXPLODED VIEW

# BASE ASSEMBLY, BODY

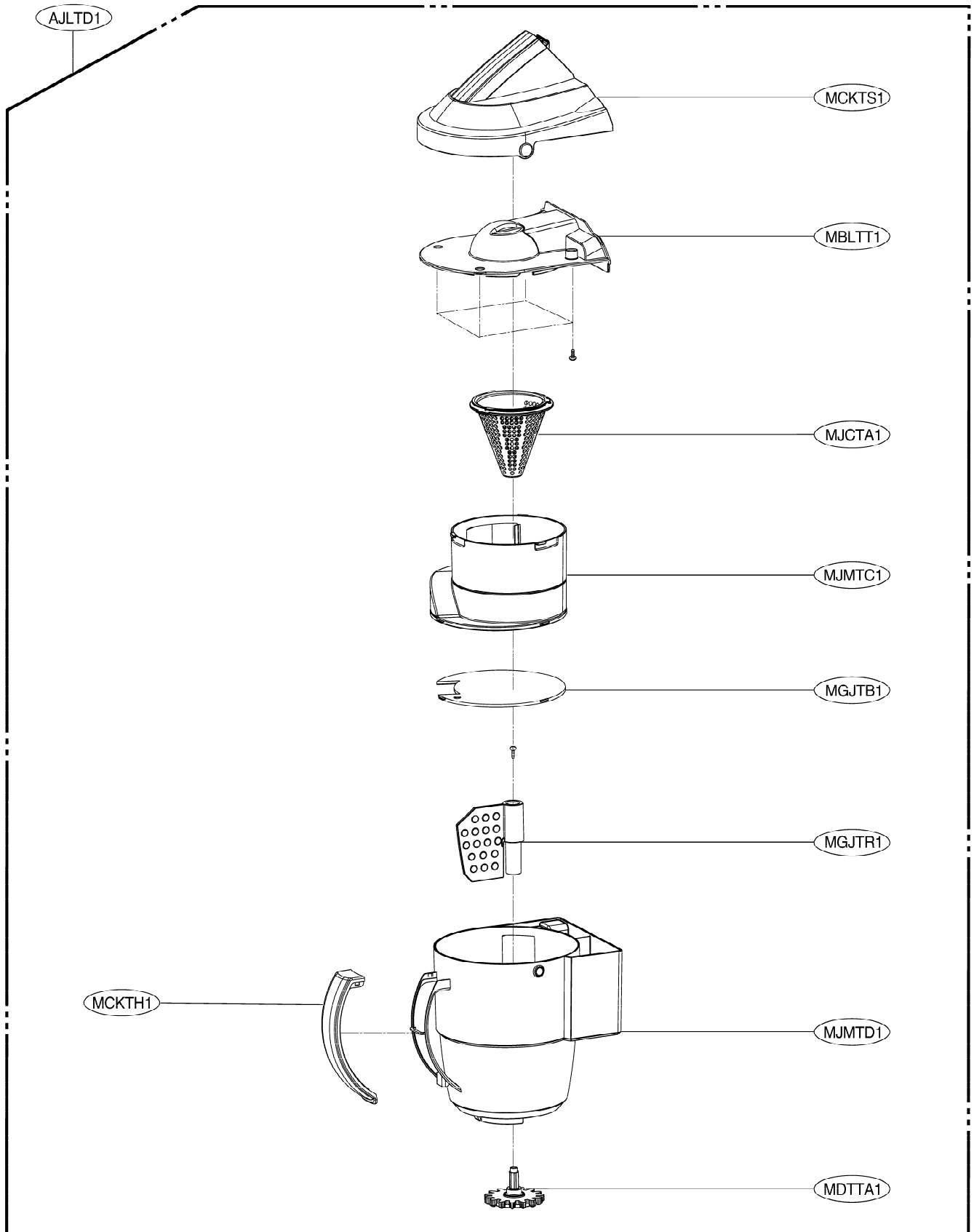
VC9050CL(V-KC801HT.ABLQGSF)



# COVER ASSEMBLY, BODY



# TANK ASSEMBLY, DUST



# ACCESSORIES

