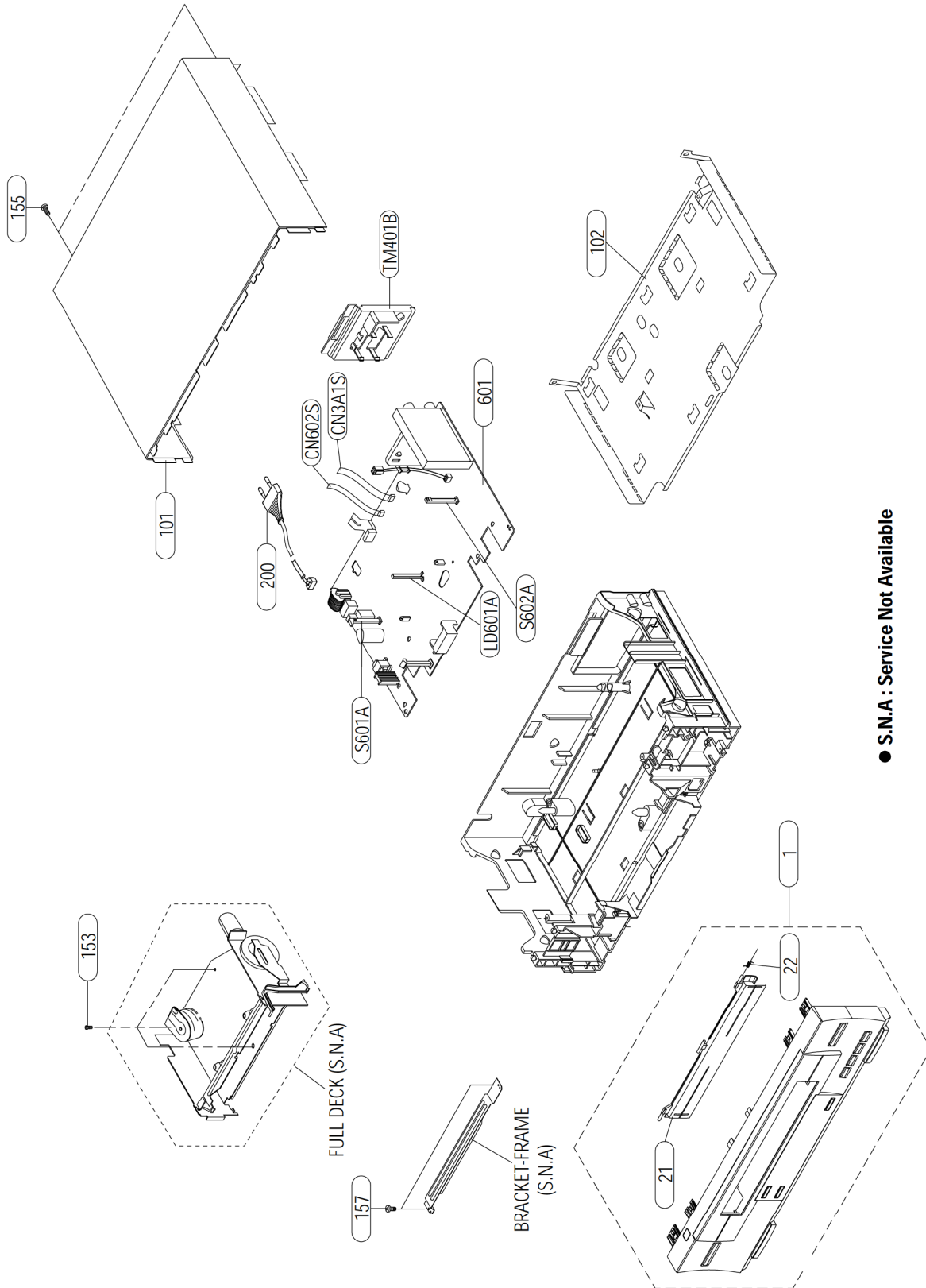
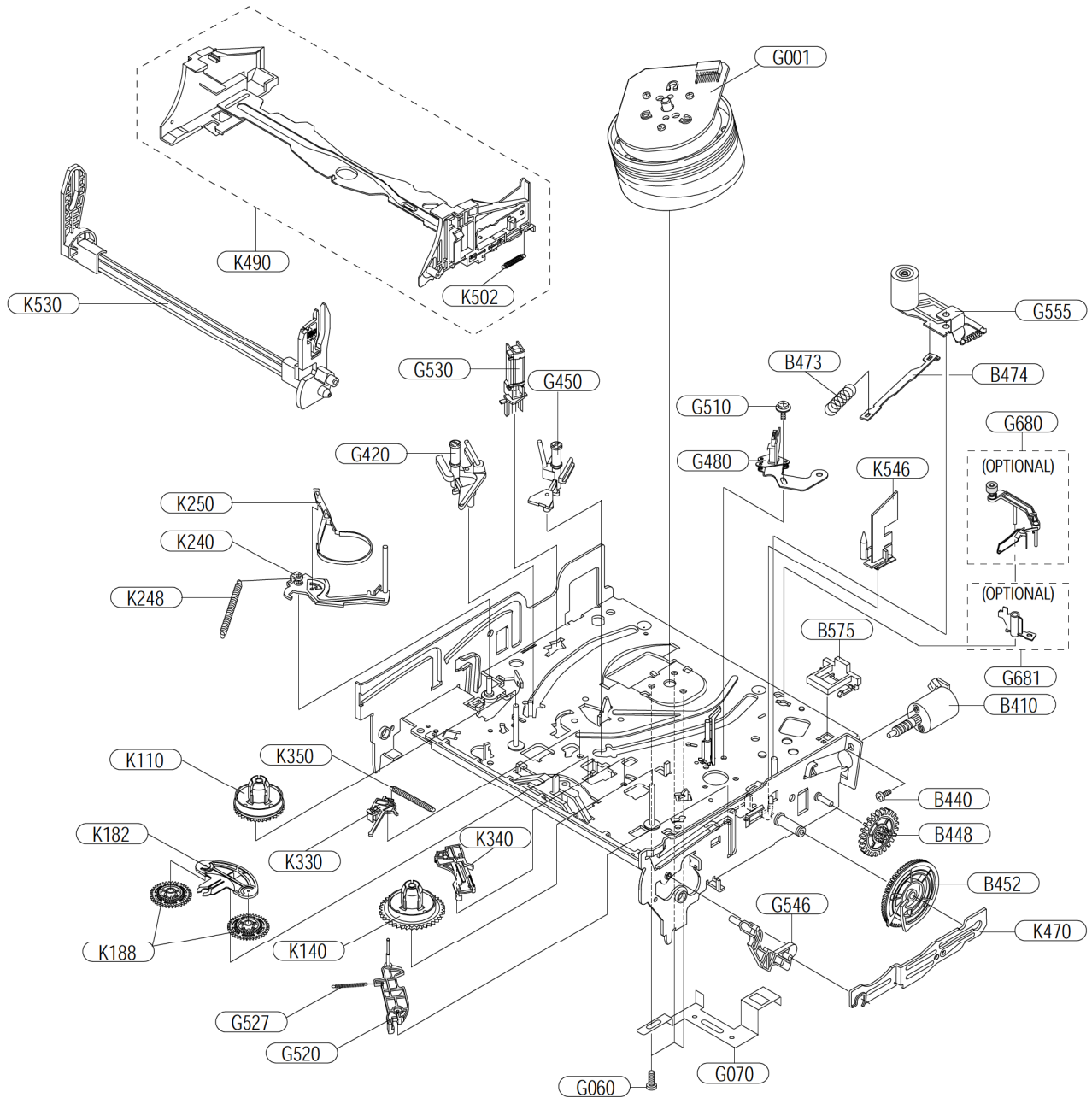


## 6-2 Instrument Assembly



### 6-3 Mechanical Parts (Top Side)



### 6-4 Mechanical Parts (Bottom Side)

