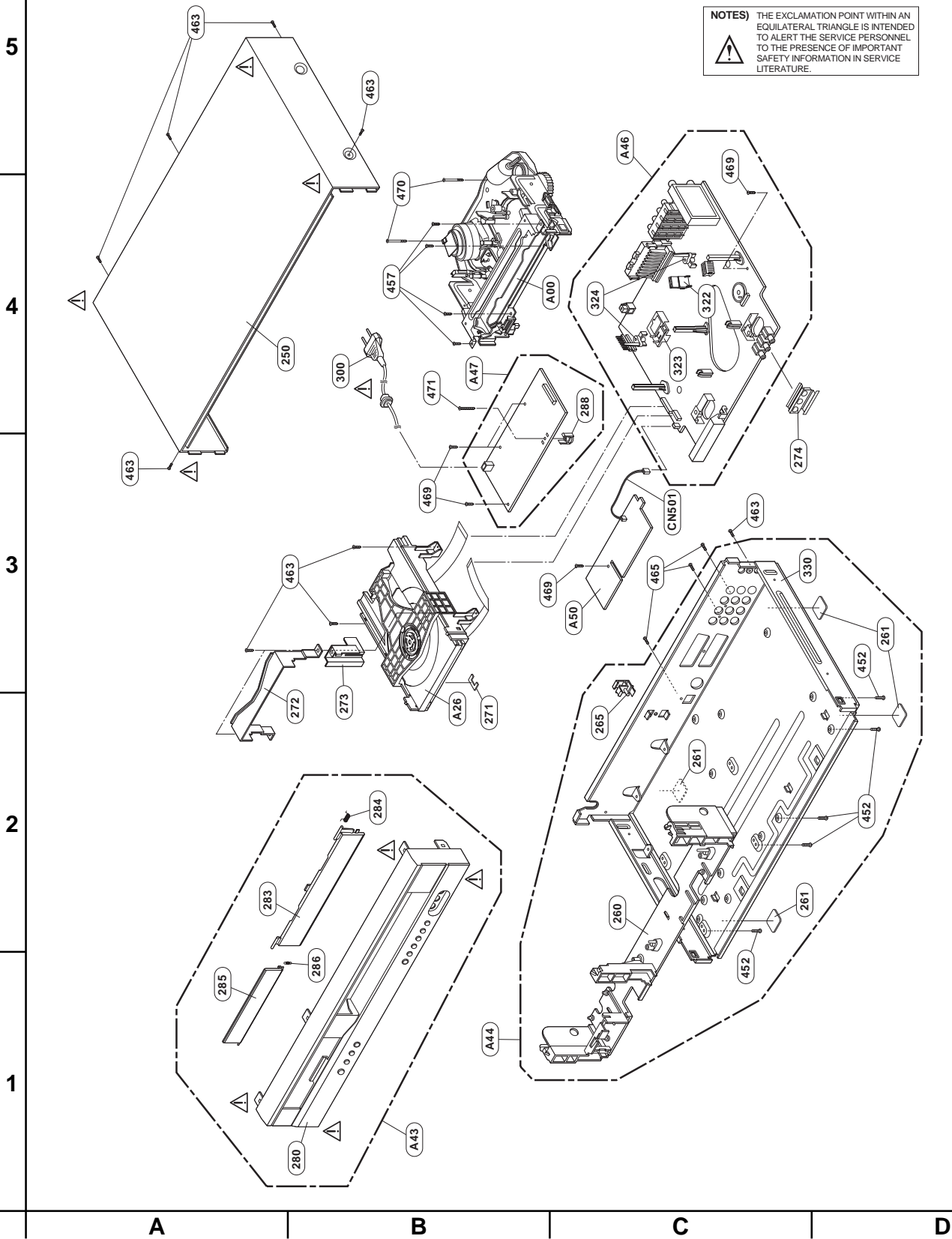


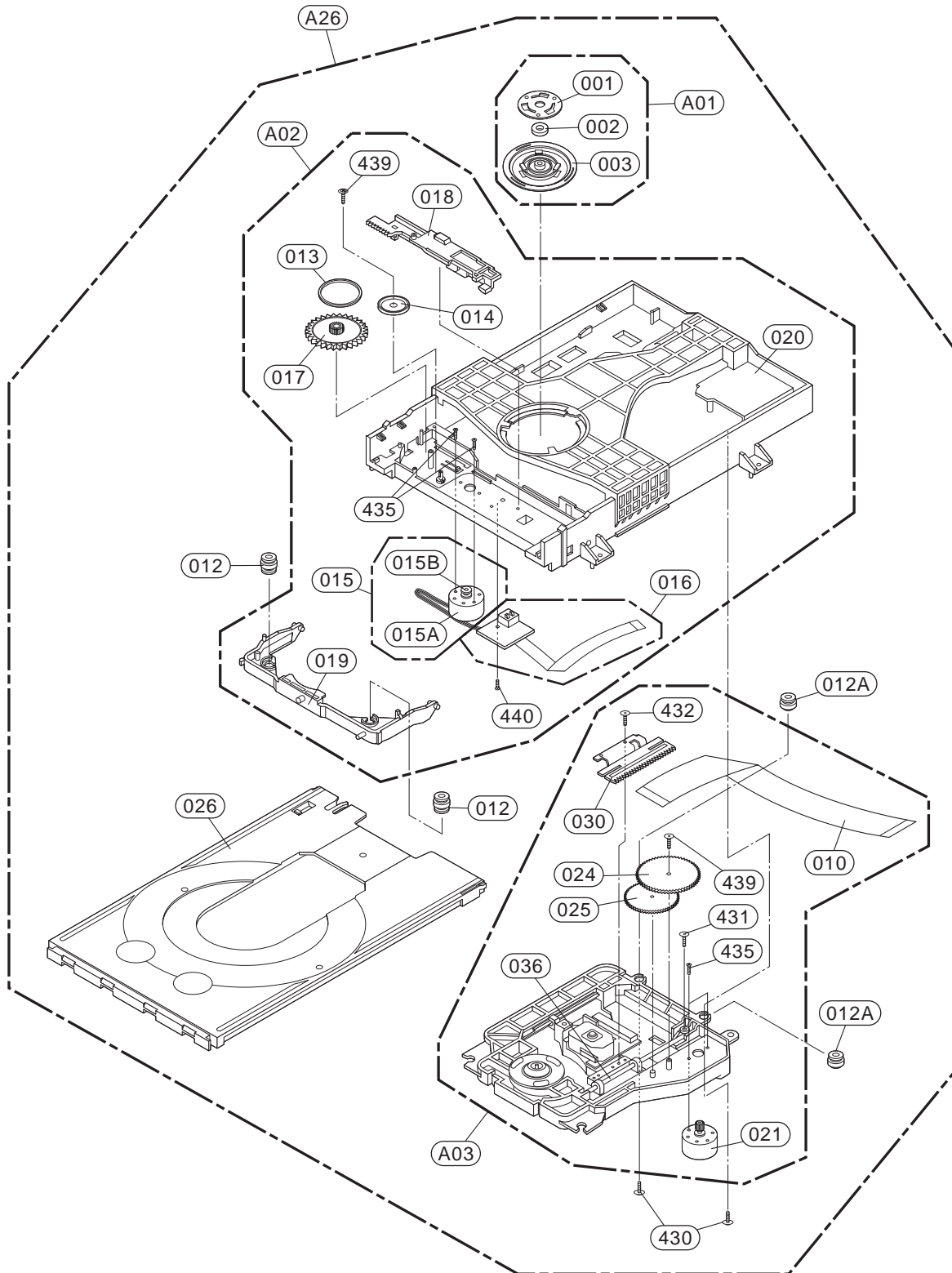
EXPLODED VIEWS

1. CABINET AND MAIN FRAME SECTION

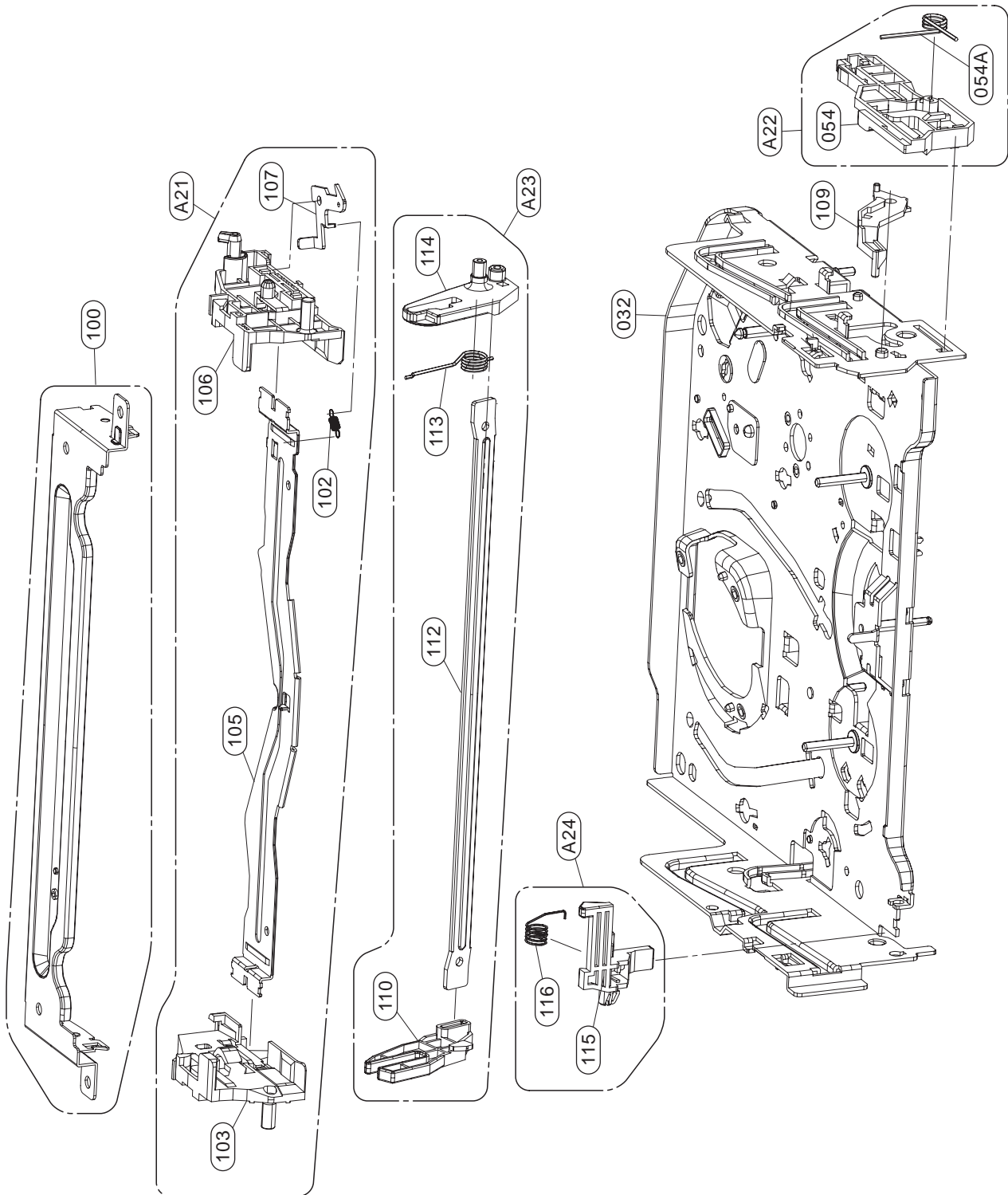
NOTES) THE EXCLAMATION POINT WITHIN AN EQUILATERAL TRIANGLE IS INTENDED TO ALERT THE SERVICE PERSONNEL TO THE PRESENCE OF IMPORTANT SAFETY INFORMATION IN SERVICE LITERATURE.



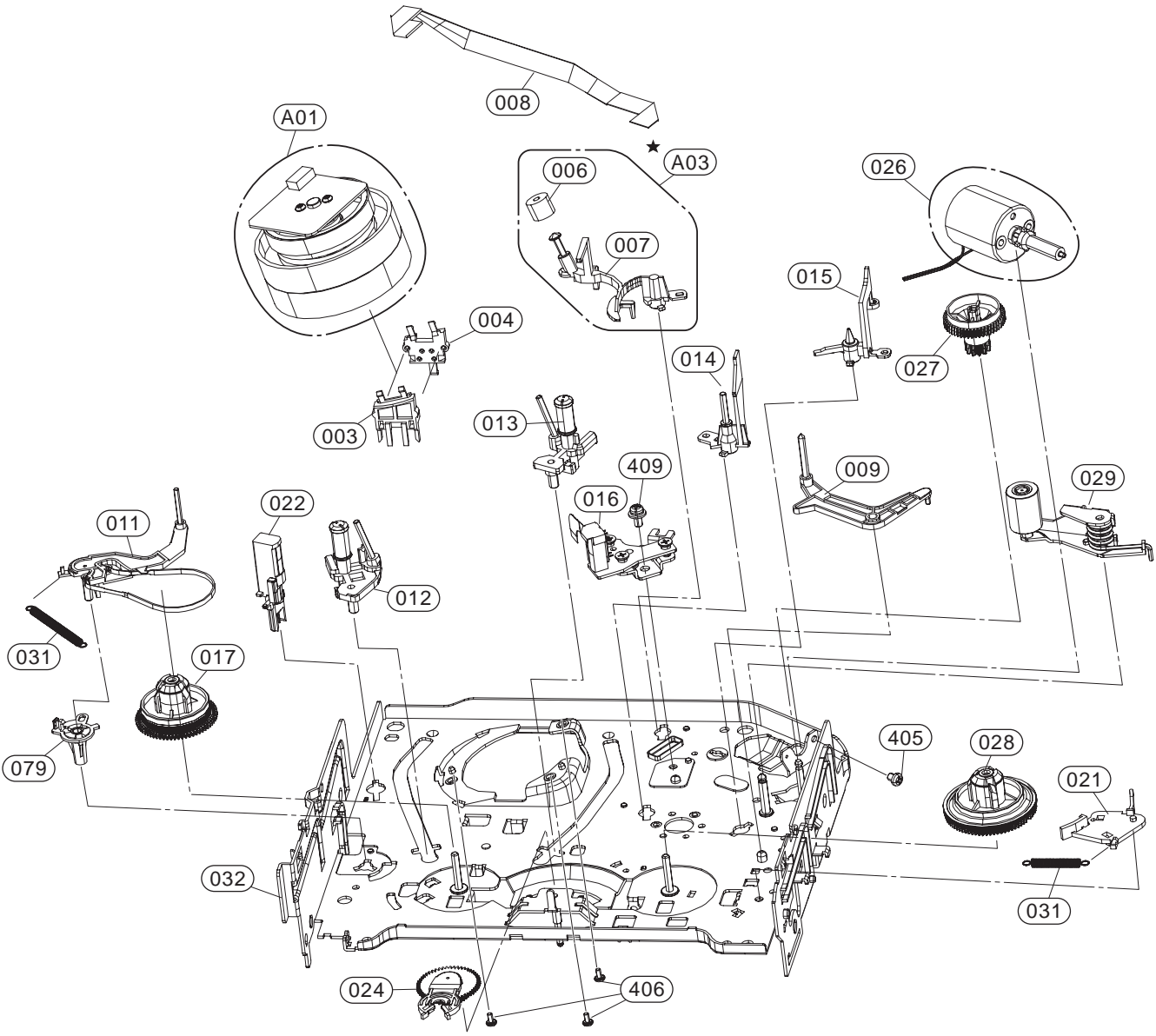
2. DECK MECHANISM SECTION [DVD MD (DP-10C)]



3. DECK MECHANISM SECTION [VCR DECK D37(N)] 1) FRONT LOADING MECHANISM SECTION



2) MOVING MECHANISM SECTION (1)



4. PACKING ACCESSORY SECTION

