

PARTS LIST

[UX-M5R]

* All printed circuit boards and its assemblies are not available as service parts.

Area suffix	
B -----	U.K.
E -----	Continental Europe
EN -----	Northern Europe
EV -----	Eastern Europe

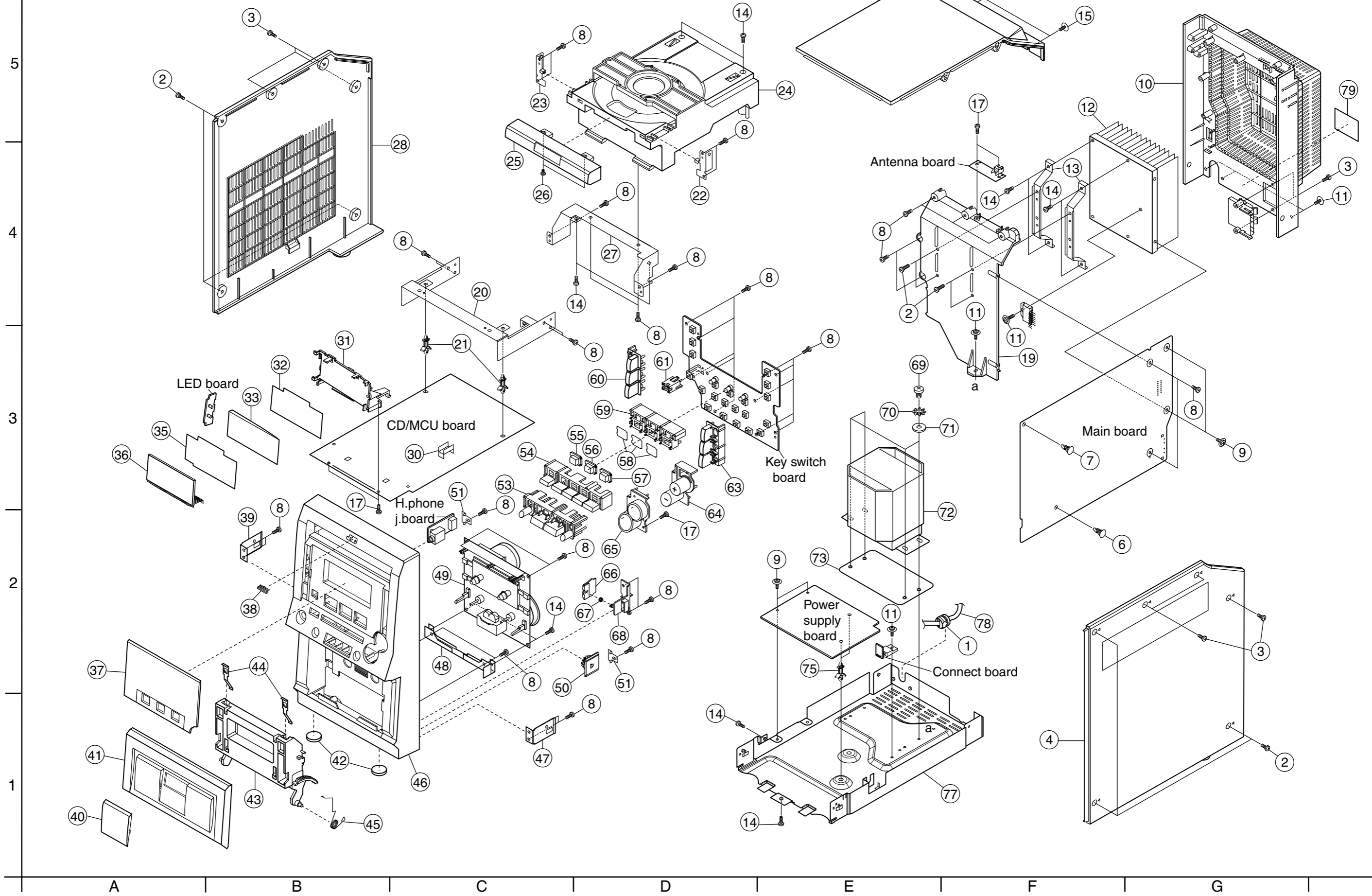
- Contents -

Exploded view of general assembly and parts list (Block No.M1)	3- 3
Electrical parts list (Block No.01~04).....	3- 5
Packing materials and accessories parts list (Block No.M3,M5).....	3-14

< MEMO >

Exploded view of general assembly and parts list

Block No. M 1 M M



UX-M5R

UX-M5R

■ Parts list (General assembly)

Block No. M1MM

■ Parts list (General assembly)

Block No. M1MM

△	Item	Parts number	Parts name	Q'ty	Description	Area
△	1	OW84-10002-02	S.R BUSHING	1	SR-F41	
	2	OW40-23010-52	SCREW	10	M3X10 BH/MS	
	3	OW40-13012-01	SCREW	8	M3X12 BH/ST	
	4	OW61-30000-02	RIGHT SIDE PLATE	1		
	6	OW84-00006-01	PCB LOCK SUPPORT	1	RS-5	
	7	OW84-30000-02	PCB LOCK SUPPORT	1	RS-3	
	8	OW40-13008-91	SCREW	41	M3X8 BH/ST	
	9	OW40-03006-53	SCREW	4	M3X6 WH/MS TAP	
	10	OW61-50000-02	REAR CABINET	1		
	11	OW40-03008-53	SCREW	6	M3X8 WH/MS TAP	
	12	OW39-50000-01	HEAT SINK	1		
	13	OW39-50000-02	HEAT SINK	2		
	14	OW40-03006-81	SCREW	12	M3X6 BH/MS TAP	
	15	OW40-13012-03	SCREW	2	M3X12 WH/ST	
	16	OW60-30000-01	TOP CABINET	1		
	17	OW40-12608-21	SCREW	5	2.6X8 BH/ST	
	19	OW48-50000-01	MAIN PCB BRACKET	1		
	20	OW39-30000-03	CD REAR MOUNT BKT	1		
	21	OW84-30000-05	PCB LOCK SUPPORT	2	CS-0813	
	22	OW39-30000-01	CD F.MOUNT BKT	1	RIGHT	
	23	OW39-30000-00	CD F.MOUNT BKT	1	LEFT	
	24	OW98-00110-03	CD MECHA	1	TCP11TK4 +TD001	
	25	OW66-30000-04	CD DOOR	1		
	26	OW40-12605-21	SCREW	2	2.6X5 BH/ST	
	27	OW39-30000-02	CD F.MOUNT BKT	1	FRONT	
	28	OW61-30000-01	SIDE PLATE	1	LEFT	
	30	OW39-00013-00A	CDT13 HEAT SINK	1		
	31	OW48-30000-01	LCD BLACKET	1		
	32	OW68-50000-00	LIGHT GUIDE PAPER	1		
	33	OW43-30000-05	LIGHT GUIDE	1		
	35	OW68-30000-01	LCD FILTER	1		
	36	OW91-80005-00	LCD	1	92194TT-P YEEBO	
	37	OW43-30000-12	DISPLAY LENS	1		
	38	OW55-30000-00	BADGE	1		
	39	OW39-30000-04	FP MOUNT BRACKET	1	LEFT SIDE BASE	
	40	OW43-30000-11	CASS DOOR LENS	1		
	41	OW66-30000-01	CASS DOOR COVER	1		
	42	OW81-00155-01	RUBER FOOT	2		
	43	OW66-00155-03	TECHNICAL DOOR	1		
	44	OW39-30000-07	CASS TAPE SPRING	2		
	45	OW36-30000-00	TORSION SPRING	1		
	46	OW60-30000-07	FRONT CABINET	1		
	47	OW39-30000-05	FP MOUNT BRACKET	1	RIGHT SIDE BASE	
	48	OW39-00055-01	DECK MECHA BKT	1		
	49	OW94-33439-01	CASSETTE MECHA	1	12V/AUTO-REV	
	50	OW63-00155-01	DAMPER GEAR	1		
	51	OW39-00155-13	D.GERA HOLDER	2		
	53	OW53-30000-06	KEY BUTTON	1	RECORD/DIRECTION	

△	Item	Parts number	Parts name	Q'ty	Description	Area
	54	OW53-30000-09	KEY BUTTON	1	STOP/PROGRAM	
	55	OW43-30000-14	LENS FUNCTION	1	CD	
	56	OW43-30000-15	LENS FUNCTION	1	TUNER	
	57	OW43-30000-16	LENS FUNCTION	1	TAPE	
	58	OW68-30000-02	F.KEY FILTER	3	FUNCTION	
	59	OW53-30000-04	KEY BUTTON	1	FUNCTION	
	60	OW53-30000-01	KEY BUTTON	1	OPEN/CLOSE	
	61	OW48-30000-02	REMOTE SENSOR	1		
	63	OW53-30000-00	KEY BUTTON	1	STANDBY	
	64	OW53-30000-05	KEY BUTTON	1	VOLUME	
	65	OW48-30000-00	ORNAMENT	1	RING	
	66	OW49-00155-01	LACH CAM	1		
	67	OW36-00155-03A	COMPRESS SPRING	1		
	68	OW49-00155-02	LATCH CAM HOLDER	1		
	69	OW40-10408-81	SCREW	4	M4X8 BH	
	70	OW35-20001-01	TOOTH WASHER	4		
	71	OW35-00010-03	METAL WASHER	4		
△	72	OW15-80005-00	POWER TRANS	1	EI-76 T05875A VDE	
	73	OW39-00006-02	TRANS M.BRACKET	1		
	75	OW84-30000-04	PCB LOCK SUPPORT	2	CS-0610	
	77	OW39-50000-00	BOTTOM CASE	1		
△	78	OW30-00020-06E	AC POWER COARD	1	7 VDE BLK	E,EN,EV
△		OW30-00053-09	AC POWER COARD	1	6.5 MOULDED	B
	79	OW87-50000-08	NAME PLATE	1		EV
		OW87-50000-02	NAME PLATE	1		B,E,EN

■ Electrical parts list (Main board)

Block No. 01

△	Item	Parts number	Parts name	Remarks	Area	△	Item	Parts number	Parts name	Remarks	Area
	CF101	OW09-50450-00J	CERAMIC FILTER	SFU450B 450HK2			C160	OW05-03682-06T	CHIP CAPACITOR	6800PF K682	
	CF102	OW09-50107-20J	CERAMIC FILTER	LT10.7M3S RED			C161	OW05-03682-06T	CHIP CAPACITOR	6800PF K682	
	CF103	OW09-50107-07J	CERAMIC DIS	JT10.7MFG82			C166	OW05-03104-03T	CHIP CAPACITOR	0.1MF 10%	
	CN01A	OW20-12030-00	CONNECTOR HEAD	P=2.5MM 3PIN			C168	OW05-03223-06T	C.CAPACITOR	0.022MF K223	
	CN102	OW20-41102-27	CONNECTOR	P=2MM 10PIN			C169	OW05-00104-00	C.CAPACITOR	0.1MF 10% 50V	
	CN201	OW20-41063-00	CONNECTOR HOUG	P=2MM 6PIN			C201	OW05-03151-03T	C.CAPACITOR	150PF N151J 500A	
	CN301	OW20-41082-39	CONNECTOR HOUG	P=2MM 8PIN			C202	OW05-03182-06T	C.CAPACITOR	0.0018MF K182	
	CN302	OW20-61033-24	CONNECTOR	3PIN			C203	OW06-50105-02	E.CAPACITOR	1MF 50V	
	CN303	OW20-42051-36	CONNECTOR HOUG	P=2.5MM 5PIN			C204	OW06-16227-00	E.CAPACITOR	220MF 16V	
	CN401	OW12-00006-02	CONNECTOR	CJ-9007-040			C205	OW05-03102-06T	C.CAPACITOR	1000PF K102	
	CN402	OW20-41042-26	CONNECTOR HOUG	P=2MM 4PIN			C206	OW05-03102-06T	C.CAPACITOR	1000PF K102	
	CN403	OW25-25150-03	3P CABLE	UL2468			C207	OW06-50105-00	E.CAPACITOR	1MF 50V	
	C102	OW05-00223-02	C.CAPACITOR	0.022MF			C208	OW06-16227-00	E.CAPACITOR	220MF 16V	
	C103	OW05-03300-10	CHIP CAPACITOR	30PF 5% SMD NPO			C209	OW05-03272-06T	C.CAPACITOR	0.0027MF K272	
	C104	OW05-09391-05	PP CAPACITOR	390PF 5% 5MM			C210	OW05-03331-03T	CHIP CAPACITOR	330PF N500 J331	
	C105	OW05-03180-06T	C.CAPACITOR	18PF N180J 500A			C211	OW06-50475-00	E.CAPACITOR	4.7MF 50V	
	C107	OW05-00220-06	C.CAPACITOR	22PF 5% NPO			C212	OW05-03472-06T	C.CAPACITOR	4700PF K472	
	C108	OW05-00200-06	C.CAPACITOR	20PF 5% NPO			C213	OW05-03563-06T	C.CAPACITOR	0.056MF	
	C109	OW05-00470-06	C.CAPACITOR	47PF 5% NPO			C214	OW05-03473-06T	C.CAPACITOR	0.047MF K473	
	C110	OW05-07104-82B	C.CAPACITOR	0.1MF 50V			C215	OW06-50224-02	E.CAPACITOR	0.22MF 50V	
	C111	OW05-03102-06T	C.CAPACITOR	1000PF K102			C216	OW06-16476-00	E.CAPACITOR	47MF 16V	
	C116	OW05-03104-03T	CHIP CAPACITOR	0.1MF 10%			C217	OW05-03561-03T	CHIP CAPACITOR	560PF N500 J560	
	C117	OW05-03104-03T	CHIP CAPACITOR	0.1MF 10%			C220	OW05-03151-03T	C.CAPACITOR	150PF N151J 500A	
	C118	OW05-03102-06T	C.CAPACITOR	1000PF K102			C221	OW05-03151-03T	C.CAPACITOR	150PF N151J 500A	
	C119	OW05-00102-00	C.CAPACITOR	0.001MF 10% 50V			C222	OW05-03151-03T	C.CAPACITOR	150PF N151J 500A	
	C120	OW05-03120-03T	C.CAPACITOR	12PF N500 J120 500V			C223	OW05-03182-06T	C.CAPACITOR	0.0018MF K182	
	C121	OW05-00102-00	C.CAPACITOR	0.001MF 10% 50V			C224	OW06-50105-02	E.CAPACITOR	1MF 50V	
	C122	OW05-03331-03T	CHIP CAPACITOR	330PF N500 J331			C225	OW06-16227-02	E.CAPACITOR	220MF 16V	
	C123	OW06-16106-00	E.CAPACITOR	10MF 16V			C226	OW06-50105-00	E.CAPACITOR	1MF 50V	
	C124	OW06-50105-00	E.CAPACITOR	1MF 50V			C227	OW06-16227-00	E.CAPACITOR	220MF 16V	
	C125	OW06-50104-00	E.CAPACITOR	0.1MF 50V			C228	OW05-03331-03T	CHIP CAPACITOR	330PF N500 J331	
	C126	OW06-50104-00	E.CAPACITOR	0.1MF 50V			C229	OW06-50475-02	E.CAPACITOR	4.7MF 50V	
	C127	OW06-50474-00	E.CAPACITOR	0.47MF 50V			C230	OW05-03272-06T	C.CAPACITOR	0.0027MF K272	
	C128	OW05-03223-06T	C.CAPACITOR	0.022MF K223			C231	OW05-03473-06T	C.CAPACITOR	0.047MF K473	
	C129	OW06-16227-00	E.CAPACITOR	220MF 16V			C232	OW05-03472-06T	C.CAPACITOR	4700PF K472	
	C131	OW05-03333-06T	C.CAPACITOR	0.033MF K333			C233	OW05-03563-06T	C.CAPACITOR	0.056MF	
	C132	OW06-50475-02	E.CAPACITOR	4.7MF 50V			C234	OW06-16106-00	E.CAPACITOR	10MF 16V	
	C133	OW06-50475-00	E.CAPACITOR	4.7MF 50V			C235	OW06-16227-00	E.CAPACITOR	220MF 16V	
	C134	OW06-50475-00	E.CAPACITOR	4.7MF 50V			C236	OW05-03223-06T	C.CAPACITOR	0.022MF K223	
	C135	OW05-03103-06T	C.CAPACITOR	0.01MF K103			C237	OW06-50224-00	E.CAPACITOR	0.22MF 50V	
	C136	OW05-03103-06T	C.CAPACITOR	0.01MF K103			C238	OW06-16106-00	E.CAPACITOR	10MF 16V	
	C137	OW05-03300-10	CHIP CAPACITOR	30PF 5%			C239	OW05-03561-03T	CHIP CAPACITOR	560PF N500 J560	
	C138	OW05-03103-06T	C.CAPACITOR	0.01MF K103			C240	OW05-02183-10	M.CAPACITOR	0.018MF 10%	
	C139	OW06-16227-00	E.CAPACITOR	220MF 16V			C241	OW05-03102-06T	C.CAPACITOR	1000PF K102	
	C141	OW05-03103-06T	C.CAPACITOR	0.01MF K103			C242	OW05-03102-06T	C.CAPACITOR	1000PF K102	
	C142	OW05-03101-06T	C.CAPACITOR	100PF N101J 500A			C243	OW06-16107-00	E.CAPACITOR	100MF 16V	
	C143	OW05-03104-03T	CHIP CAPACITOR	0.1MF 10%			C250	OW05-03223-06T	C.CAPACITOR	0.022MF K223	
	C144	OW05-03101-06T	C.CAPACITOR	100PF N101J 500A			C251	OW05-02102-10	M.CAPACITOR	0.001MF 10%	
	C145	OW06-50335-00	E.CAPACITOR	3.3MF 50V			C253	OW05-03223-06T	C.CAPACITOR	0.022MF K223	
	C146	OW05-03223-06T	C.CAPACITOR	0.022MF K223			C254	OW05-03223-06T	C.CAPACITOR	0.022MF K223	
	C147	OW06-16227-00	E.CAPACITOR	220MF 16V			C302	OW06-16227-00	E.CAPACITOR	220MF 16V	
	C148	OW05-03223-06T	C.CAPACITOR	0.022MF K223			C303	OW06-50475-00	E.CAPACITOR	4.7MF 50V	
	C149	OW05-03103-06T	C.CAPACITOR	0.01MF K103			C304	OW06-50475-00	E.CAPACITOR	4.7MF 50V	
	C150	OW05-03222-06F	CHIP CAPACITOR	2200PF 10E222K			C305	OW06-50475-00	E.CAPACITOR	4.7MF 50V	
	C151	OW06-50105-00	E.CAPACITOR	1MF 50V			C306	OW06-50475-00	E.CAPACITOR	4.7MF 50V	
	C152	OW05-03223-06T	C.CAPACITOR	0.022MF K223			C307	OW06-50475-00	E.CAPACITOR	4.7MF 50V	
	C153	OW05-03223-06T	C.CAPACITOR	0.022MF K223			C308	OW06-50475-00	E.CAPACITOR	4.7MF 50V	
	C154	OW06-16227-00	E.CAPACITOR	220MF 16V			C309	OW06-50475-00	E.CAPACITOR	4.7MF 50V	
	C155	OW05-03300-10	CHIP CAPACITOR	30PF 5% SMD NPO			C310	OW06-50475-00	E.CAPACITOR	4.7MF 50V	
	C156	OW05-03300-10	CHIP CAPACITOR	30PF 5% SMD NPO			C311	OW06-50225-00	E.CAPACITOR	2.2MF 50V	
	C157	OW06-16227-00	E.CAPACITOR	220MF 16V			C312	OW06-50225-00	E.CAPACITOR	2.2MF 50V	
	C158	OW05-03223-06T	C.CAPACITOR	0.022MF K223			C313	OW05-03470-03T	C.CAPACITOR	47PF N500 J470	
	C159	OW05-03101-06T	C.CAPACITOR	100PF N101J 500A			C314	OW05-03470-03T	C.CAPACITOR	47PF N500 J470	

■ Electrical parts list (Main board)

Block No. 01

△	Item	Parts number	Parts name	Remarks	Area	△	Item	Parts number	Parts name	Remarks	Area
	C315	OW06-50475-00	E.CAPACITOR	4.7MF 50V			C470	OW05-03223-06T	C.CAPACITOR	0.022MF K223	
	C316	OW06-50475-00	E.CAPACITOR	4.7MF 50V			C471	OW05-03223-06T	C.CAPACITOR	0.022MF K223	
	C317	OW05-03104-03T	CHIP CAPACITOR	0.1MF 10%			C472	OW05-03271-03T	C.CAPACITOR	270PF N271J 500A	
	C318	OW05-03104-03T	CHIP CAPACITOR	0.1MF 10%			C473	OW05-03271-03T	C.CAPACITOR	270PF N271J 500A	
	C319	OW06-50105-90	E.CAPACITOR	1MF 50V 10%			C481	OW05-00104-00	C.CAPACITOR	0.1MF 10% 50V	
	C320	OW06-50105-90	E.CAPACITOR	1MF 50V 10%			C482	OW05-00104-00	C.CAPACITOR	0.1MF 10% 50V	
	C321	OW06-50475-00	E.CAPACITOR	4.7MF 50V			C483	OW05-00104-00	C.CAPACITOR	0.1MF 10% 50V	
	C322	OW06-50475-00	E.CAPACITOR	4.7MF 50V			C484	OW05-00104-00	C.CAPACITOR	0.1MF 10% 50V	
	C323	OW05-03103-06T	C.CAPACITOR	0.01MF K103			C485	OW05-00104-00	C.CAPACITOR	0.1MF 10% 50V	
	C324	OW05-03103-06T	C.CAPACITOR	0.01MF K103			D101	OW02-04148-00R	DIODE	IN4148	
	C325	OW06-16227-00	E.CAPACITOR	220MF 16V			D102	OW02-04148-00R	DIODE	IN4148	
	C326	OW05-03104-03T	CHIP CAPACITOR	0.1MF 10%			D103	OW02-04148-00R	DIODE	IN4148	
	C327	OW06-16337-00	E.CAPACITOR	330MF 16V			D104	OW02-04148-00R	DIODE	IN4148	
	C328	OW06-16227-00	E.CAPACITOR	220MF 16V			D105	OW02-00348-00	TUNING DIODE	SVC348-S	
	C329	OW05-03223-06T	C.CAPACITOR	0.022MF K223			D106	OW02-00201-00	TUNING DIODE	SVC201SPA	
	C330	OW06-16476-00	E.CAPACITOR	47MF 16V			D107	OW02-00201-00	TUNING DIODE	SVC201SPA	
	C331	OW06-16107-00	E.CAPACITOR	100MF 16V			D108	OW02-04148-00R	DIODE	IN4148	
	C332	OW06-25107-00	E.CAPACITOR	100MF 25V			D201	OW02-04148-00R	DIODE	IN4148	
	C333	OW05-03104-03T	CHIP CAPACITOR	0.1MF 10%			D202	OW02-04148-00R	DIODE	IN4148	
△	C334	OW06-25228-00	E.CAPACITOR	2200MF 25V			D301	OW02-04148-00R	DIODE	IN4148	
	C401	OW06-16227-00	E.CAPACITOR	220MF 16V			D302	OW02-04148-00R	DIODE	IN4148	
	C402	OW06-16106-02	E.CAPACITOR	10MF 16V			D303	OW02-04148-00R	DIODE	IN4148	
	C403	OW06-16226-00	E.CAPACITOR	22MF 16V			D401	OW02-04148-00R	DIODE	IN4148	
	C404	OW06-16106-02	E.CAPACITOR	10MF 16V			D402	OW02-04148-00R	DIODE	IN4148	
	C405	OW06-16106-02	E.CAPACITOR	10MF 16V			D403	OW02-04148-00R	DIODE	IN4148	
	C406	OW05-03101-06T	C.CAPACITOR	100PF N101J 500A			D404	OW02-04148-00R	DIODE	IN4148	
	C407	OW05-03101-06T	C.CAPACITOR	100PF N101J 500A			D406	OW02-04148-00R	DIODE	IN4148	
	C408	OW05-03101-06T	C.CAPACITOR	100PF N101J 500A			D408	OW02-04148-00R	DIODE	IN4148	
	C409	OW05-03101-06T	C.CAPACITOR	100PF N101J 500A			IC101	OW03-02104-01	IC	TA2104BN	
	C410	OW06-50105-00	E.CAPACITOR	1MF 50V			IC102	OW03-09257-01	IC	TC9257F	
	C411	OW06-50105-00	E.CAPACITOR	1MF 50V			IC201	OW03-01330-00	IC	UPC1330HA	
	C412	OW05-07101-10A	C.CAPACITOR	100PF 10%			IC202	OW03-07312-00	IC	AN7312	
	C413	OW05-07101-10A	C.CAPACITOR	100PF 10%			IC301	OW03-09422-00	IC	TC9422F	
	C414	OW06-16106-00	E.CAPACITOR	10MF 16V		△	IC302	OW03-07812-00	IC	NJM7812A	
	C415	OW06-16106-00	E.CAPACITOR	10MF 16V			IC401	OW03-04558-03	IC	BA4558N	
	C416	OW05-02104-10	M.CAPACITOR	0.1MF 10%			IC402	OW03-01876-00	IC	LM1876TF	
	C417	OW05-02104-10	M.CAPACITOR	0.1MF 10%			IC403	OW03-04558-03	IC	BA4558N	
△	C418	OW06-35228-00	E.CAPACITOR	2200MF 35V			J456	OW07-25000-60K	CARBON RESISTOR	0 1/16 000JTP	
	C419	OW06-35228-00	E.CAPACITOR	2200MF 35V			L101	OW08-01014-02	IFT	1A1014N	
	C420	OW06-16227-00	E.CAPACITOR	220MF 16V			L102	OW08-86436-70	AM ANT COIL	OA10-864367	
	C421	OW06-25227-00	E.CAPACITOR	220MF 25V 20%			L103	OW09-45045-00	FM COIL	D4.5MM 0.8MM	
	C422	OW06-50225-00	E.CAPACITOR	2.2MF 50V			L104	OW09-25050-00W	FM COIL	D5MM 0.8MM	
	C423	OW06-50225-00	E.CAPACITOR	2.2MF 50V			L105	OW09-70101-00	INDUCTOR	10MH	
	C424	OW05-03101-06T	C.CAPACITOR	100PF N101J 500A			L106	OW09-70101-00	INDUCTOR	10MH	
	C425	OW05-03101-06T	C.CAPACITOR	100PF N101J 500A			L201	OW09-40474-00W	CHOKE COIL	47MH	
	C426	OW05-03101-06T	C.CAPACITOR	100PF N101J 500A			L202	OW09-40474-00W	CHOKE COIL	47MH	
	C427	OW05-03101-06T	C.CAPACITOR	100PF N101J 500A			L203	OW08-07163-00	CHOKE COIL	7L1A63N LIK HANG	
	C432	OW05-03101-06T	C.CAPACITOR	100PF N101J 500A			Q101	OW01-00945-16	TRANSISTOR	2SC945P	
	C433	OW05-03101-06T	C.CAPACITOR	100PF N101J 500A			Q102	OW01-00945-16	TRANSISTOR	2SC945P	
	C434	OW06-25227-00	E.CAPACITOR	220MF 25V 20%			Q103	OW01-00945-16	TRANSISTOR	2SC945P	
	C435	OW06-35477-00	E.CAPACITOR	470MF 35V			Q104	OW01-00945-16	TRANSISTOR	2SC945P	
	C450	OW05-07223-82A	C.CAPACITOR	0.022MF			Q105	OW01-00733-16	TRANSISTOR	2SA733P	
	C451	OW05-00104-00	C.CAPACITOR	0.1MF 10% 50V			Q106	OW01-00945-16	TRANSISTOR	2SC945P	
	C452	OW06-50225-00	E.CAPACITOR	2.2MF 50V			Q107	OW01-09018-07	TRANSISTOR	9018G	
	C453	OW06-50225-02	E.CAPACITOR	2.2MF 50V			Q108	OW01-00945-16	TRANSISTOR	2SC945P	
	C454	OW06-25476-00	E.CAPACITOR	47MF 25V			Q109	OW01-00945-16	TRANSISTOR	2SC945P	
	C455	OW05-03223-06T	C.CAPACITOR	0.022MF K223			Q110	OW01-00945-16	TRANSISTOR	2SC945P	
	C456	OW06-35477-00	E.CAPACITOR	470MF 35V			Q111	OW01-00945-16	TRANSISTOR	2SC945P	
	C457	OW06-50225-00	E.CAPACITOR	2.2MF 50V			Q116	OW01-00945-16	TRANSISTOR	2SC945P	
	C458	OW06-25476-00	E.CAPACITOR	47MF 25V			Q201	OW01-08050-04S	TRANSISTOR	8050D	
	C459	OW05-00104-00	C.CAPACITOR	0.1MF 10% 50V			Q202	OW01-00945-16	TRANSISTOR	2SC945P	
	C463	OW05-03102-06T	C.CAPACITOR	1000PF K102			Q203	OW01-00945-16	TRANSISTOR	2SC945P	
	C464	OW05-03102-06T	C.CAPACITOR	1000PF K102			Q204	OW01-00945-16	TRANSISTOR	2SC945P	

■ Electrical parts list (Main board)

Block No. 01

△	Item	Parts number	Parts name	Remarks	Area	△	Item	Parts number	Parts name	Remarks	Area
	Q205	OW01-00945-16	TRANSISTOR	2SC945P			R140	OW07-25561-60K	CARBON RESISTOR	560 1/16 561JTP	
	Q206	OW01-08050-04S	TRANSISTOR	8050D			R141	OW07-25103-60K	CARBON RESISTOR	10K 1/16 103JTP	
	Q207	OW01-00945-16	TRANSISTOR	2SC945P			R145	OW07-15103-50T	CARBON RESISTOR	10K 1/8W 5%	
	Q208	OW01-00945-16	TRANSISTOR	2SC945P			R146	OW07-15103-50T	CARBON RESISTOR	10K 1/8W 5%	
	Q209	OW01-00945-16	TRANSISTOR	2SC945P			R147	OW07-15103-50T	CARBON RESISTOR	10K 1/8W 5%	
	Q210	OW01-00945-16	TRANSISTOR	2SC945P			R148	OW07-15102-50T	CARBON RESISTOR	1K 1/8W 5%	
	Q211	OW01-00733-16	TRANSISTOR	2SA733P			R149	OW07-15102-50T	CARBON RESISTOR	1K 1/8W 5%	
	Q212	OW01-00945-16	TRANSISTOR	2SC945P			R150	OW07-15102-50T	CARBON RESISTOR	1K 1/8W 5%	
	Q213	OW01-00945-16	TRANSISTOR	2SC945P			R151	OW07-15103-50T	CARBON RESISTOR	10K 1/8W 5%	
	Q214	OW01-00945-16	TRANSISTOR	2SC945P			R160	OW07-25183-60K	CARBON RESISTOR	18K 1/16 183JTP	
	Q215	OW01-00945-16	TRANSISTOR	2SC945P			R161	OW07-25183-60K	CARBON RESISTOR	18K 1/16 183JTP	
	Q301	OW01-00945-16	TRANSISTOR	2SC945P			R163	OW07-15472-50T	CARBON RESISTOR	4.7K 1/8W 5%	
	Q302	OW01-00945-16	TRANSISTOR	2SC945P			R164	OW07-25472-60K	CARBON RESISTOR	4.7K 1/16 472JTP	
	Q303	OW01-01383-18	TRANSISTOR	2SC1383R			R165	OW07-25102-60K	CARBON RESISTOR	1K 1/16 102JTP	
	Q304	OW01-00945-16	TRANSISTOR	2SC945P			R201	OW07-25183-60K	CARBON RESISTOR	18K 1/16 183JTP	
	Q305	OW01-01240-00	TRANSISTOR	2SB1240Q			R202	OW07-25102-60K	CARBON RESISTOR	1K 1/16 102JTP	
	Q401	OW01-08050-04S	TRANSISTOR	8050D			R203	OW07-25333-60K	CARBON RESISTOR	33K 1/16 333JTP	
	Q402	OW01-08050-04S	TRANSISTOR	8050D			R204	OW07-25180-60K	CARBON RESISTOR	18 1/16 180JTP	
	Q403	OW01-08050-04S	TRANSISTOR	8050D			R205	OW07-25333-60K	CARBON RESISTOR	33K 1/16 333JTP	
	Q404	OW01-08050-04S	TRANSISTOR	8050D			R206	OW07-25472-60K	CARBON RESISTOR	4.7K 1/16 472JTP	
	Q405	OW01-00733-16	TRANSISTOR	2SA733P			R207	OW07-25472-60K	CARBON RESISTOR	4.7K 1/16 472JTP	
	Q406	OW01-00945-16	TRANSISTOR	2SC945P			R208	OW07-25153-60K	CARBON RESISTOR	15K 1/16 153JTP	
	Q407	OW01-00945-16	TRANSISTOR	2SC945P			R209	OW07-25684-60K	CARBON RESISTOR	680K 1/16 684JTP	
	Q410	OW01-08050-04S	TRANSISTOR	8050D			R210	OW07-25153-60K	CARBON RESISTOR	15K 1/16 153JTP	
	Q411	OW01-08550-04B	TRANSISTOR	8550D			R211	OW07-25333-60K	CARBON RESISTOR	33K 1/16 333JTP	
	R101	OW07-15274-50T	CARBON RESISTOR	270K 1/8W 5%			R212	OW07-25823-60K	CARBON RESISTOR	82K 1/16 823JTP	
	R102	OW07-25104-60K	CARBON RESISTOR	100K 1/16 104JTP			R213	OW07-25103-60K	CARBON RESISTOR	10K 1/16 103JTP	
	R103	OW07-25104-60K	CARBON RESISTOR	100K 1/16 104JTP			R214	OW07-25473-60K	CARBON RESISTOR	47K 1/16 473JTP	
	R104	OW07-25473-60K	CARBON RESISTOR	47K 1/16 473JTP			R215	OW07-25391-60K	CARBON RESISTOR	390 1/16 391JTP	
	R105	OW07-15473-50T	CARBON RESISTOR	47K 1/8W 5%			R216	OW07-25683-60K	CARBON RESISTOR	68K 1/16 683JTP	
	R106	OW07-25202-60K	CARBON RESISTOR	2K 1/16 202JTP			R217	OW07-15010-50T	CARBON RESISTOR	1 1/8W 5%	
	R107	OW07-15220-50T	CARBON RESISTOR	22 1/8W 5%			R218	OW07-25273-60K	CARBON RESISTOR	27K 1/16 273JTP	
	R108	OW07-15101-50T	CARBON RESISTOR	100 1/8W 5%			R219	OW07-25273-60K	CARBON RESISTOR	27K 1/16 273JTP	
	R109	OW07-15203-50T	CARBON RESISTOR	20K 1/8W 5%			R220	OW07-15102-50T	CARBON RESISTOR	1K 1/8W 5%	
	R110	OW07-25332-60K	CARBON RESISTOR	3.3K 1/16 332JTP			R221	OW07-25221-60K	CARBON RESISTOR	220 1/16 221JTP	
	R111	OW07-25331-60K	CARBON RESISTOR	330 1/8W			R222	OW07-25183-60K	CARBON RESISTOR	18K 1/16 183JTP	
	R113	OW07-25392-60K	CARBON RESISTOR	3.9K 1/16 392JTP			R223	OW07-25333-60K	CARBON RESISTOR	33K 1/16 333JTP	
	R114	OW07-25183-60K	CARBON RESISTOR	18K 1/16 183JTP			R224	OW07-25331-60K	CARBON RESISTOR	330 1/8W	
	R115	OW07-25392-60K	CARBON RESISTOR	3.9K 1/16 392JTP			R225	OW07-15101-26T	CARBON RESISTOR	100 1/4W 5%	
	R116	OW07-25183-60K	CARBON RESISTOR	18K 1/16 183JTP			R226	OW07-25102-60K	CARBON RESISTOR	1K 1/16 102JTP	
	R117	OW07-25104-60K	CARBON RESISTOR	100K 1/16 104JTP			R227	OW07-25180-60K	CARBON RESISTOR	18 1/16 180JTP	
	R118	OW07-25102-60K	CARBON RESISTOR	1K 1/16 102JTP			R228	OW07-15472-50T	CARBON RESISTOR	4.7K 1/8W 5%	
	R119	OW07-25104-60K	CARBON RESISTOR	100K 1/16 104JTP			R229	OW07-15153-50T	CARBON RESISTOR	15K 1/8W 5%	
	R120	OW07-25223-60K	CARBON RESISTOR	22K 1/16 223JTP			R231	OW07-25472-60K	CARBON RESISTOR	4.7K 1/16 472JTP	
	R121	OW07-15472-50T	CARBON RESISTOR	4.7K 1/8W 5%			R232	OW07-25333-60K	CARBON RESISTOR	33K 1/16 333JTP	
	R122	OW07-15221-50T	CARBON RESISTOR	220 1/8W 5%			R233	OW07-15221-26T	CARBON RESISTOR	220 1/4W	
	R123	OW07-25103-60K	CARBON RESISTOR	10K 1/16 103JTP			R234	OW07-25153-60K	CARBON RESISTOR	15K 1/16 153JTP	
	R124	OW07-25102-60K	CARBON RESISTOR	1K 1/16 102JTP			R235	OW07-25102-60K	CARBON RESISTOR	1K 1/16 102JTP	
	R125	OW07-15103-50T	CARBON RESISTOR	10K 1/8W 5%			R236	OW07-25103-60K	CARBON RESISTOR	10K 1/16 103JTP	
	R126	OW07-25820-60K	CARBON RESISTOR	82 1/16 820JTP			R237	OW07-25823-60K	CARBON RESISTOR	82K 1/16 823JTP	
	R127	OW07-25332-60K	CARBON RESISTOR	3.3K 1/16 332JTP			R238	OW07-25391-60K	CARBON RESISTOR	390 1/16 391JTP	
	R128	OW07-25563-60K	CARBON RESISTOR	56K 1/16 563JTP			R239	OW07-25683-60K	CARBON RESISTOR	68K 1/16 683JTP	
	R129	OW07-25473-60K	CARBON RESISTOR	47K 1/16 473JTP			R240	OW07-25047-60K	CARBON RESISTOR	4.7K 1/16 473JTP	
	R130	OW07-25102-60K	CARBON RESISTOR	1K 1/16 102JTP			R241	OW07-25273-60K	CARBON RESISTOR	27K 1/16 273JTP	
	R131	OW07-25105-60K	CARBON RESISTOR	1M 1/16 105JTP			R242	OW07-25100-60K	CARBON RESISTOR	10 1/16 100JTP	
	R132	OW07-15101-50T	CARBON RESISTOR	100 1/8W 5%			R243	OW07-25103-60K	CARBON RESISTOR	10K 1/16 103JTP	
	R133	OW07-15221-50T	CARBON RESISTOR	220 1/8W 5%			R244	OW07-25104-60K	CARBON RESISTOR	100K 1/16 104JTP	
	R134	OW07-25152-60K	CARBON RESISTOR	1.5K 1/16 152JTP			R245	OW07-25103-60K	CARBON RESISTOR	10K 1/16 103JTP	
	R135	OW07-25472-60K	CARBON RESISTOR	4.7K 1/16 472JTP			R246	OW07-25333-60K	CARBON RESISTOR	33K 1/16 33JTP	
	R136	OW07-15221-50T	CARBON RESISTOR	220 1/8W 5%			R247	OW07-25103-60K	CARBON RESISTOR	10K 1/16 10JTP	
	R137	OW07-25472-60K	CARBON RESISTOR	4.7K 1/16 472JTP			R248	OW07-25102-60K	CARBON RESISTOR	1K 1/16 102JTP	
	R138	OW07-25102-60K	CARBON RESISTOR	1K 1/16 102JTP			R249	OW07-25472-60K	CARBON RESISTOR	4.7K 1/16 472JTP	
	R139	OW07-25152-60K	CARBON RESISTOR	1.5K 1/16 152JTP			R250	OW07-25223-60K	CARBON RESISTOR	22K 1/16 223JTP	

■ Electrical parts list (Main board)

Block No. 01

△	Item	Parts number	Parts name	Remarks	Area
	R251	OW07-25104-60K	CARBON RESISTOR	100K 1/16 104JTP	
	R252	OW07-15103-50T	CARBON RESISTOR	10K 1/8W 5%	
	R255	OW07-25103-60K	CARBON RESISTOR	10K 1/16 103JTP	
	R256	OW07-25473-60K	CARBON RESISTOR	47K 1/16 473JTP	
	R257	OW07-25104-60K	CARBON RESISTOR	100K 1/16 104JTP	
	R258	OW07-25104-60K	CARBON RESISTOR	100K 1/16 104JTP	
	R301	OW07-15680-50T	CARBON RESISTOR	68 1/8W 5%	
	R302	OW07-25471-60K	CARBON RESISTOR	470 1/16 471JTP	
	R303	OW07-25394-60K	CARBON RESISTOR	390K 1/16 394JTP	
	R304	OW07-25681-60K	CARBON RESISTOR	680 1/16 681JTP	
	R307	OW07-25471-60K	CARBON RESISTOR	470 1/16 471JTP	
	R308	OW07-25394-60K	CARBON RESISTOR	390K 1/16 384JTP	
	R309	OW07-25472-60K	CARBON RESISTOR	4.7K 1/16 472JTP	
	R310	OW07-25681-60K	CARBON RESISTOR	680 1/16 681JTP	
	R312	OW07-25472-60K	CARBON RESISTOR	4.7K 1/16 472JTP	
	R313	OW07-25471-60K	CARBON RESISTOR	470 1/16 471JTP	
	R314	OW07-15100-26T	CARBON RESISTOR	10 1/4W 5%	
	R315	OW07-15561-50T	CARBON RESISTOR	560 1/8W 5%	
	R316	OW07-15103-50T	CARBON RESISTOR	10K 1/8W 5%	
	R317	OW07-25104-60K	CARBON RESISTOR	100K 1/16 104JTP	
	R318	OW07-25473-60K	CARBON RESISTOR	47K 1/16 473JTP	
	R319	OW07-25102-60K	CARBON RESISTOR	1K 1/16 102JTP	
	R351	OW07-25473-60K	CARBON RESISTOR	47K 1/16 473JTP	
	R352	OW07-25473-60K	CARBON RESISTOR	47K 1/16 473JTP	
	R353	OW07-25822-60K	CARBON RESISTOR	8.2K 1/16 822JTP	
	R354	OW07-25822-60K	CARBON RESISTOR	8.2K 1/16 822JTP	
	R401	OW07-15682-26T	CARBON RESISTOR	6.8K 1/4W 5%	
	R402	OW07-25153-60K	CARBON RESISTOR	15K 1/16 153JTP	
	R403	OW07-25223-60K	CARBON RESISTOR	22K 1/16 223JTP	
	R404	OW07-15103-50T	CARBON RESISTOR	10K 1/8W 5%	
	R405	OW07-15103-50T	CARBON RESISTOR	10K 1/8W 5%	
	R406	OW07-25103-60K	CARBON RESISTOR	10K 1/16 103JTP	
	R407	OW07-25103-60K	CARBON RESISTOR	10K 1/16 103JTP	
	R408	OW07-25472-60K	CARBON RESISTOR	4.7K 1/16 472JTP	
	R409	OW07-25472-60K	CARBON RESISTOR	4.7K 1/16 472JTP	
	R410	OW07-25472-60K	CARBON RESISTOR	4.7K 1/16 472JTP	
	R411	OW07-25472-60K	CARBON RESISTOR	4.7K 1/16 472JTP	
	R412	OW07-25223-60K	CARBON RESISTOR	22K 1/16 223JTP	
	R413	OW07-25223-60K	CARBON RESISTOR	22K 1/16 223JTP	
	R414	OW07-25563-60K	CARBON RESISTOR	56K 1/16 563JTP	
	R415	OW07-25563-60K	CARBON RESISTOR	56K 1/16 563JTP	
	R416	OW07-15102-26T	CARBON RESISTOR	1K 1/4W 5%	
	R417	OW07-15102-26T	CARBON RESISTOR	1K 1/4W 5%	
	R418	OW07-15563-50T	CARBON RESISTOR	56K 1/8W 5%	
	R419	OW07-15563-50T	CARBON RESISTOR	56K 1/8W 5%	
	R420	OW07-15223-00	CARBON RESISTOR	22K 1/4W 5%	
	R421	OW07-15223-00	CARBON RESISTOR	22K 1/4W 5%	
	R422	OW07-15102-26T	CARBON RESISTOR	1K 1/4W 5%	
	R423	OW07-15102-26T	CARBON RESISTOR	1K 1/4W 5%	
	R424	OW07-05047-10	CARBON RESISTOR	4.7 1/2W	
	R425	OW07-05047-10	CARBON RESISTOR	4.7 1/2W	
	R426	OW07-25103-60K	CARBON RESISTOR	10K 1/16 103JTP	
	R428	OW07-15682-26T	CARBON RESISTOR	6.8K 1/4W 5%	
	R429	OW07-25223-60K	CARBON RESISTOR	22K 1/16 223JTP	
	R430	OW07-25103-60K	CARBON RESISTOR	10K 1/16 103JTP	
	R431	OW07-25103-60K	CARBON RESISTOR	10K 1/16 103JTP	
	R432	OW07-25103-60K	CARBON RESISTOR	10K 1/16 103JTP	
	R433	OW07-25103-60K	CARBON RESISTOR	10K 1/16 103JTP	
	R434	OW07-25472-60K	CARBON RESISTOR	4.7K 1/16 472JTP	
	R435	OW07-25472-60K	CARBON RESISTOR	4.7K 1/16 472JTP	
	R436	OW07-25473-60K	CARBON RESISTOR	47K 1/16 473JTP	
	R437	OW07-25473-60K	CARBON RESISTOR	47K 1/16 473JTP	
	R438	OW07-25223-60K	CARBON RESISTOR	22K 1/16 223JTP	

△	Item	Parts number	Parts name	Remarks	Area
	R439	OW07-25223-60K	CARBON RESISTOR	22K 1/16 223JTP	
	R440	OW07-25152-60K	CARBON RESISTOR	1.5K 1/16 152JTP	
	R441	OW07-25152-60K	CARBON RESISTOR	1.5K 1/16 152JTP	
	R442	OW07-25221-60K	CARBON RESISTOR	220 1/16 221JTP	
	R443	OW07-25221-60K	CARBON RESISTOR	220 1/16 221JTP	
	R446	OW07-25104-60K	CARBON RESISTOR	100K 1/16 104JTP	
	R447	OW07-25103-60K	CARBON RESISTOR	10K 1/16 103JTP	
	R448	OW07-25104-60K	CARBON RESISTOR	100K 1/16 104JTP	
	R449	OW07-15103-50T	CARBON RESISTOR	10K 1/8W 5%	
	R450	OW07-15104-50T	CARBON RESISTOR	100K 1/8W 5%	
	R451	OW07-15103-50T	CARBON RESISTOR	10K 1/8W 5%	
	R458	OW07-15181-01T	CARBON RESISTOR	180 1/4W 5%	
	R459	OW07-25122-60K	CARBON RESISTOR	1.2K 1/16 122JTP	
	R463	OW07-15181-01T	CARBON RESISTOR	180 1/4W 5%	
	R464	OW07-25122-60K	CARBON RESISTOR	1.2K 1/16 122JTP	
	R482	OW07-25103-60K	CARBON RESISTOR	10K 1/16 103JTP	
	R483	OW07-25103-60K	CARBON RESISTOR	10K 1/16 103JTP	
	R484	OW07-25103-60K	CARBON RESISTOR	10K 1/16 103JTP	
	R485	OW07-25104-60K	CARBON RESISTOR	100K 1/16 104JTP	
	R486	OW07-25103-60K	CARBON RESISTOR	10K 1/16 103JTP	
	TC101	OW05-08100-03	TRIM CAPACITOR	10PF 3PIN	
	TC102	OW05-08100-03	TRIM CAPACITOR	10PF 3PIN	
	T101	OW08-00332-24C	IFT YEL	10MM 810017 COILS	
	X101	OW04-07200-05	CRYSTAL	7.2MHZ HC-49U 30PPM	
	Z101	OW02-50100-00	ZENER DIODE	10V 0.5W	
	Z301	OW02-50091-00	ZENER DIODE	9.1V 0.5W	
△	Z401	OW02-50180-00	ZENER DIODE	18V 0.5W	
△	Z402	OW02-50180-00	ZENER DIODE	18V 0.5W	

■ Electrical parts list (CD&MCU board)

Block No. 02

△	Item	Parts number	Parts name	Remarks	Area	△	Item	Parts number	Parts name	Remarks	Area
	CN601	OW20-21100-00	CONNECTOR	P=2MM 10PIN			C726	OW05-07104-82B	C.CAPACITOR	0.1MF 50V	
	CN602	OW20-21080-00	CONNECTOR	P=2MM 8PIN			C727	OW05-07104-82B	C.CAPACITOR	0.1MF 50V	
	CN603	OW20-21030-00	CONNECTOR	P=2MM 3PIN			C728	OW05-07104-82B	C.CAPACITOR	0.1MF 50V	
	CN604	OW20-41092-43	CONNECTOR	P=2MM 9PIN			C729	OW05-07104-82B	C.CAPACITOR	0.1MF 50V	
	CN607	OW20-11060-00	CONNECTOR	P=2MM 6PIN			C730	OW05-07104-82B	C.CAPACITOR	0.1MF 50V	
	CN608	OW20-21030-00	CONNECTOR	P=2MM 3PIN			C731	OW05-07473-82B	C.CAPACITOR	0.047MF	
	CN609	OW20-42032-13	CONNECTOR	P=2.5MM 3PIN			C732	OW05-07473-82B	C.CAPACITOR	0.047MF	
	CN701	OW20-12020-00	CONNECTOR	P=2.5MM 2PIN			C733	OW06-10476-00S	E.CAPACITOR	47MF 10V	
	CN702	OW20-21020-00	CONNECTOR	P=2MM 2PIN			C736	OW05-07153-00	C.CAPACITOR	0.015MF	
	CN703	OW20-21060-00	CONNECTOR	P=2MM 6PIN			C737	OW05-07103-20A	C.CAPACITOR	0.01MF	
	CN704	OW20-80160-00I	CONNECTOR	P=1MM 16PIN			C738	OW05-07470-00A	C.CAPACITOR	47PF	
	C601	OW06-10477-00	E.CAPACITOR	470MF 10V			C739	OW05-07272-00	C.CAPACITOR	0.0027MF 50V 10%	
	C602	OW06-10108-00	E.CAPACITOR	1000MF 10V			C740	OW06-10476-00S	E.CAPACITOR	47MF 10V	
	C602A	OW05-07104-82B	C.CAPACITOR	0.1MF 50V			C741	OW05-02472-10	M.CAPACITOR	0.0047MF 10%	
	C603	OW06-10227-00S	E.CAPACITOR	220MF 10V			C742	OW05-07471-10A	C.CAPACITOR	470PF	
	C605	OW05-07104-82B	C.CAPACITOR	0.1MF 50V			C743	OW05-07471-10A	C.CAPACITOR	470PF	
	C606	OW05-07250-06T	C.CAPACITOR	25PF			C744	OW05-07473-82B	C.CAPACITOR	0.047MF	
	C607	OW05-07250-06T	C.CAPACITOR	25PF			C746	OW05-02472-10	M.CAPACITOR	0.0047MF 10%	
	C608	OW05-07250-06T	C.CAPACITOR	25PF			C747	OW06-10476-02	E.CAPACITOR	47MF 10V	
	C609	OW05-07250-06T	C.CAPACITOR	25PF			C748	OW05-07104-82B	C.CAPACITOR	0.1MF 50V	
	C610	OW06-10107-00S	E.CAPACITOR	100MF 10V			C749	OW05-07473-82B	C.CAPACITOR	0.047MF	
	C611	OW06-10107-00S	E.CAPACITOR	100MF 10V			C753	OW06-10227-02	E.CAPACITOR	220MF 10V	
	C612	OW06-10476-00S	E.CAPACITOR	47MF 10V			C754	OW06-10227-02	E.CAPACITOR	220MF 10V	
	C613	OW06-10107-00S	E.CAPACITOR	100MF 10V			C761	OW05-07104-82B	C.CAPACITOR	0.1MF 50V	
	C614	OW05-07104-82B	C.CAPACITOR	0.1MF 50V			C762	OW06-10106-02	E.CAPACITOR	10MF 10V	
	C615	OW06-50225-02	E.CAPACITOR	2.2MF 50V			C763	OW06-50225-02	E.CAPACITOR	2.2MF 50V	
	C616	OW05-07271-10T	C.CAPACITOR	270PF 10%			C765	OW05-07103-20A	C.CAPACITOR	0.01MF	
	C617	OW05-07561-05	C.CAPACITOR	560PF NPO 5%			C766	OW05-07103-20A	C.CAPACITOR	0.01MF	
	C618	OW06-10107-00S	E.CAPACITOR	100MF 10V			C771	OW05-00560-06	C.CAPACITOR	56PF 5%	
	C619	OW05-07330-06T	C.CAPACITOR	33PF			C772	OW05-07224-00	C.CAPACITOR	0.22MF	
	C620	OW05-07330-06T	C.CAPACITOR	33PF			C773	OW05-07224-00	C.CAPACITOR	0.22MF	
	C621	OW06-10107-00S	E.CAPACITOR	100MF 10V			C774	OW05-07104-82B	C.CAPACITOR	0.1MF 50V	
	C622	OW06-10106-02	E.CAPACITOR	10MF 10V			C775	OW05-07082-10A	C.CAPACITOR	8.2PF	
	C630	OW05-07102-10A	C.CAPACITOR	1000PF			C776	OW05-07104-82B	C.CAPACITOR	0.1MF 50V	
	C641	OW06-10107-02	E.CAPACITOR	100MF 10V			C777	OW06-10476-02	E.CAPACITOR	47MF 10V	
	C642	OW06-10476-02	E.CAPACITOR	47MF 10V			C778	OW05-07104-82B	C.CAPACITOR	0.1MF 50V	
	C643	OW06-16226-02	E.CAPACITOR	22MF 16V			C779	OW06-10107-02	E.CAPACITOR	100MF 10V	
	C646	OW05-07104-82B	C.CAPACITOR	0.1MF 50V			C780	OW06-10476-02	E.CAPACITOR	47MF 10V	
	C648	OW05-07223-82A	C.CAPACITOR	0.022MF			C781	OW05-07473-82B	C.CAPACITOR	0.047MF	
	C701	OW05-07103-20A	C.CAPACITOR	0.01MF			C790	OW06-16228-00	E.CAPACITOR	2200MF 16V	
	C702	OW05-07104-82B	C.CAPACITOR	0.1MF 50V			C791	OW05-07104-82B	C.CAPACITOR	0.1MF 50V	
	C703	OW05-07223-82A	C.CAPACITOR	0.022MF			D601	OW02-04148-00R	DIODE	IN4148	
	C704	OW06-10227-00S	E.CAPACITOR	220MF 10V			D602	OW02-04148-00R	DIODE	IN4148	
	C705	OW06-10477-00	E.CAPACITOR	470MF 10V			D603	OW02-04148-00R	DIODE	IN4148	
	C706	OW06-10106-00	E.CAPACITOR	10MF 10V			D604	OW02-04148-00R	DIODE	IN4148	
	C707	OW06-10106-00	E.CAPACITOR	10MF 10V			D605	OW02-50091-00	ZENER DIODE	9.1V 0.5W	
	C708	OW05-07222-82A	C.CAPACITOR	2200PF			D606	OW02-50062-00	ZENER DIODE	6.2V 0.5W	
	C709	OW06-10476-02	E.CAPACITOR	47MF 10V			D608	OW02-04148-00R	DIODE	IN4148	
	C710	OW06-10226-02	E.CAPACITOR	22MF 10V			D609	OW02-50062-00	ZENER DIODE	6.2V 0.5W	
	C711	OW05-07222-82A	C.CAPACITOR	2200PF			D610	OW02-04001-00	DIODE	1N4001	
	C712	OW05-07473-82B	C.CAPACITOR	0.047MF			D611	OW02-04148-00R	DIODE	IN4148	
	C713	OW06-10476-00S	E.CAPACITOR	47MF 10V			D702	OW02-50056-00	ZENER DIODE	5.6V 0.5W	
	C714	OW06-10105-02	E.CAPACITOR	1MF 10V			D703	OW02-50062-00	ZENER DIODE	6.2V 0.5W	
	C716	OW05-07473-82B	C.CAPACITOR	0.047MF			D704	OW02-04148-00R	DIODE	IN4148	
	C717	OW05-07150-06T	C.CAPACITOR	15PF			D705	OW02-04148-00R	DIODE	IN4148	
	C718	OW05-07150-06T	C.CAPACITOR	15PF			IC601	OW03-87261-15	IC	TMP87EP26F-1J15	
	C719	OW06-10476-00S	E.CAPACITOR	47MF 10V			IC602	OW03-01924-00	IC	BU1924F	
	C720	OW05-07473-82B	C.CAPACITOR	0.047MF			IC701	OW03-09462-00	IC	TC9462F	
	C721	OW05-07473-82B	C.CAPACITOR	0.047MF			IC702	OW03-07291-00 T	IC	TA7291S	
	C722	OW06-10476-00S	E.CAPACITOR	47MF 10V			IC703	OW03-02092-00 T	IC	TA2092N	
	C723	OW06-10476-00S	E.CAPACITOR	47MF 10V			IC704	OW03-02153-00 T	IC	TA2153FN	
	C724	OW06-16337-00	E.CAPACITOR	330MF 16V			L601	OW09-70102-00C	INDUCTOR	100MH	
	C725	OW05-07104-82B	C.CAPACITOR	0.1MF 50V			L602	OW09-70102-00C	INDUCTOR	100MH	

■ Electrical parts list (CD&MCU board)

Block No. 02

△	Item	Parts number	Parts name	Remarks	Area	△	Item	Parts number	Parts name	Remarks	Area
	L603	OW09-70102-00C	INDUCTOR	100MH			R648	OW07-15103-50T	CARBON RESISTOR	10K 1/8W 5%	
	L604	OW08-01122-00	FERRITE BEAD	RH03509ST-B246			R649	OW07-15103-50T	CARBON RESISTOR	10K 1/8W 5%	
	L605	OW09-70102-00C	INDUCTOR	100MH			R650	OW07-15103-50T	CARBON RESISTOR	10K 1/8W 5%	
	L606	OW09-70102-00C	INDUCTOR	100MH			R651	OW07-15103-50T	CARBON RESISTOR	10K 1/8W 5%	
	L607	OW08-01122-00	FERRITE BEAD	RH03509ST-B246			R652	OW07-15103-50T	CARBON RESISTOR	10K 1/8W 5%	
	L608	OW08-01122-00	FERRITE BEAD	RH03509ST-B246			R653	OW07-15103-50T	CARBON RESISTOR	10K 1/8W 5%	
	L701	OW08-01122-00	FERRITE BEAD	RH03509ST-B246			R701	OW07-15104-50T	CARBON RESISTOR	100K 1/8W 5%	
	L702	OW08-01122-00	FERRITE BEAD	RH03509ST-B246			R702	OW07-15104-50T	CARBON RESISTOR	100K 1/8W 5%	
	L703	OW09-70101-00	INDUCTOR	10MH			R703	OW07-15473-50T	CARBON RESISTOR	47K 1/8W 5%	
	L704	OW09-70101-00	INDUCTOR	10MH			R704	OW07-15473-50T	CARBON RESISTOR	47K 1/8W 5%	
	L705	OW09-70102-00C	INDUCTOR	100MH			R705	OW07-15103-50T	CARBON RESISTOR	10K 1/8W 5%	
	Q601	OW01-00945-16	TRANSISTOR	2SC945P			R706	OW07-15271-50T	CARBON RESISTOR	270 1/8W 5%	
	Q603	OW01-00882-00	TRANSISTOR	2SD882Q			R707	OW07-15271-50T	CARBON RESISTOR	270 1/8W 5%	
	Q604	OW01-01240-00	TRANSISTOR	2SB1240Q			R708	OW07-15103-50T	CARBON RESISTOR	10K 1/8W 5%	
	Q605	OW01-00945-16	TRANSISTOR	2SC945P			R709	OW07-15103-50T	CARBON RESISTOR	10K 1/8W 5%	
	Q606	OW01-08050-04S	TRANSISTOR	8050D			R710	OW07-15103-50T	CARBON RESISTOR	10K 1/8W 5%	
	Q607	OW01-01383-18	TRANSISTOR	2SC1383R			R711	OW07-15103-50T	CARBON RESISTOR	10K 1/8W 5%	
	Q610	OW01-08050-04S	TRANSISTOR	8050D			R712	OW07-15103-50T	CARBON RESISTOR	10K 1/8W 5%	
	Q701	OW01-00945-16	TRANSISTOR	2SC945P			R713	OW07-15103-50T	CARBON RESISTOR	10K 1/8W 5%	
	Q702	OW01-00945-16	TRANSISTOR	2SC945P			R714	OW07-15103-50T	CARBON RESISTOR	10K 1/8W 5%	
	Q703	OW01-00733-16	TRANSISTOR	2SA733P			R715	OW07-15103-50T	CARBON RESISTOR	10K 1/8W 5%	
	Q704	OW01-01383-18	TRANSISTOR	2SC1383R			R716	OW07-15561-50T	CARBON RESISTOR	560 1/8W 5%	
	Q705	OW01-00733-16	TRANSISTOR	2SA733P			R717	OW07-15100-50T	CARBON RESISTOR	10 1/8W 5%	
	Q707	OW01-00733-16	TRANSISTOR	2SA733P			R721	OW07-15332-50T	CARBON RESISTOR	3.3K 1/8W 5%	
	Q708	OW01-00945-16	TRANSISTOR	2SC945P			R722	OW07-15332-50T	CARBON RESISTOR	3.3K 1/8W 5%	
	Q709	OW01-00945-16	TRANSISTOR	2SC945P			R723	OW07-15332-50T	CARBON RESISTOR	3.3K 1/8W 5%	
	Q791	OW01-01240-00	TRANSISTOR	2SB1240Q			R724	OW07-15332-50T	CARBON RESISTOR	3.3K 1/8W 5%	
	Q792	OW01-00945-16	TRANSISTOR	2SC945P			R725	OW07-15332-50T	CARBON RESISTOR	3.3K 1/8W 5%	
	R602	OW07-15102-50T	CARBON RESISTOR	1K 1/8W 5%			R726	OW07-15103-50T	CARBON RESISTOR	10K 1/8W 5%	
	R603	OW07-15102-50T	CARBON RESISTOR	1K 1/8W 5%			R727	OW07-15332-50T	CARBON RESISTOR	3.3K 1/8W 5%	
	R604	OW07-15102-50T	CARBON RESISTOR	1K 1/8W 5%			R729	OW07-15224-50T	CARBON RESISTOR	220K 1/8W 5%	
	R605	OW07-15102-50T	CARBON RESISTOR	1K 1/8W 5%			R730	OW07-15683-50T	CARBON RESISTOR	68K 1/8W 5%	
	R606	OW07-15102-50T	CARBON RESISTOR	1K 1/8W 5%			R731	OW07-15103-50T	CARBON RESISTOR	10K 1/8W 5%	
	R607	OW07-15102-50T	CARBON RESISTOR	1K 1/8W 5%			R732	OW07-15153-50T	CARBON RESISTOR	15K 1/8W 5%	
	R608	OW07-15102-50T	CARBON RESISTOR	1K 1/8W 5%			R733	OW07-15473-50T	CARBON RESISTOR	47K 1/8W 5%	
	R609	OW07-15102-50T	CARBON RESISTOR	1K 1/8W 5%			R735	OW07-15103-50T	CARBON RESISTOR	10K 1/8W 5%	
	R610	OW07-15102-50T	CARBON RESISTOR	1K 1/8W 5%			R736	OW07-15103-50T	CARBON RESISTOR	10K 1/8W 5%	
	R612	OW07-15103-50T	CARBON RESISTOR	10K 1/8W 5%			R737	OW07-15103-50T	CARBON RESISTOR	10K 1/8W 5%	
	R616	OW07-15102-50T	CARBON RESISTOR	1K 1/8W 5%			R738	OW07-15102-50T	CARBON RESISTOR	1K 1/8W 5%	
	R617	OW07-15153-50T	CARBON RESISTOR	15K 1/8W 5%			R739	OW07-15103-50T	CARBON RESISTOR	10K 1/8W 5%	
	R618	OW07-15103-50T	CARBON RESISTOR	10K 1/8W 5%			R742	OW07-15101-50T	CARBON RESISTOR	100 1/8W 5%	
	R620	OW07-15103-50T	CARBON RESISTOR	10K 1/8W 5%			R743	OW07-15333-50T	CARBON RESISTOR	33K 1/8W 5%	
	R622	OW07-05022-10	CARBON RESISTOR	2.2 1/2W			R744	OW07-15473-50T	CARBON RESISTOR	47K 1/8W 5%	
	R623	OW07-15223-50T	CARBON RESISTOR	22K 1/8W 5%			R745	OW07-15473-50T	CARBON RESISTOR	47K 1/8W 5%	
	R624	OW07-15102-50T	CARBON RESISTOR	1K 1/8W 5%			R746	OW07-15473-50T	CARBON RESISTOR	47K 1/8W 5%	
	R625	OW07-15103-50T	CARBON RESISTOR	10K 1/8W 5%			R747	OW07-15473-50T	CARBON RESISTOR	47K 1/8W 5%	
	R626	OW07-15103-50T	CARBON RESISTOR	10K 1/8W 5%			R748	OW07-15333-50T	CARBON RESISTOR	33K 1/8W 5%	
	R627	OW07-15122-50T	CARBON RESISTOR	1.2K 1/8W 5%			R750	OW07-15102-50T	CARBON RESISTOR	1K 1/8W 5%	
	R628	OW07-15100-50T	CARBON RESISTOR	10 1/8W 5%			R751	OW07-15561-00	CARBON RESISTOR	560 1/4W 5%	
	R630	OW07-15101-50T	CARBON RESISTOR	100 1/8W 5%			R752	OW07-15102-50T	CARBON RESISTOR	1K 1/8W 5%	
	R631	OW07-15222-50T	CARBON RESISTOR	2.2K 1/8W 5%			R753	OW07-15101-50T	CARBON RESISTOR	100 1/8W 5%	
	R632	OW07-15102-50T	CARBON RESISTOR	1K 1/8W 5%			R754	OW07-05082-10	CARBON RESISTOR	8.2 1/2W	
	R633	OW07-15102-50T	CARBON RESISTOR	1K 1/8W 5%			R755	OW07-15101-50T	CARBON RESISTOR	100 1/8W 5%	
	R634	OW07-15103-50T	CARBON RESISTOR	10K 1/8W 5%			R757	OW07-15562-50T	CARBON RESISTOR	5.6K 1/8W 5%	
	R635	OW07-15103-50T	CARBON RESISTOR	10K 1/8W 5%			R758	OW07-15104-50T	CARBON RESISTOR	100K 1/8W 5%	
	R636	OW07-15103-50T	CARBON RESISTOR	10K 1/8W 5%			R759	OW07-15512-50T	CARBON RESISTOR	5.1K 1/8W 5%	
	R637	OW07-15472-50T	CARBON RESISTOR	4.7K 1/8W 5%			R760	OW07-15222-50T	CARBON RESISTOR	2.2K 1/8W 5%	
	R641	OW07-15102-50T	CARBON RESISTOR	1K 1/8W 5%			R761	OW07-15562-50T	CARBON RESISTOR	5.6K 1/8W 5%	
	R643	OW07-15682-50T	CARBON RESISTOR	6.8K 1/8W 5%			R762	OW07-15103-50T	CARBON RESISTOR	10K 1/8W 5%	
	R644	OW07-15682-50T	CARBON RESISTOR	6.8K 1/8W 5%			R763	OW07-15102-50T	CARBON RESISTOR	1K 1/8W 5%	
	R645	OW07-15222-50T	CARBON RESISTOR	2.2K 1/8W 5%			R764	OW07-15103-50T	CARBON RESISTOR	10K 1/8W 5%	
	R646	OW07-15103-50T	CARBON RESISTOR	10K 1/8W 5%			R781	OW07-15102-50T	CARBON RESISTOR	1K 1/8W 5%	
	R647	OW07-15103-50T	CARBON RESISTOR	10K 1/8W 5%			R782	OW07-15273-50T	CARBON RESISTOR	27K 1/8W 5%	

■ Electrical parts list (CD&MCU board)

Block No. 02

△	Item	Parts number	Parts name	Remarks	Area
	R783	OW07-15222-50T	CARBON RESISTOR	2.2K 1/8W 5%	
	R784	OW07-15473-50T	CARBON RESISTOR	47K 1/8W 5%	
	R785	OW07-15221-50T	CARBON RESISTOR	220 1/8W 5%	
	R786	OW07-15683-50T	CARBON RESISTOR	68K 1/8W 5%	
	R789	OW07-15683-50T	CARBON RESISTOR	68K 1/8W 5%	
	R790	OW07-15100-50T	CARBON RESISTOR	10 1/8W 5%	
	R791	OW07-15223-50T	CARBON RESISTOR	22K 1/8W 5%	
	R792	OW07-15473-50T	CARBON RESISTOR	47K 1/8W 5%	
	R793	OW07-15103-50T	CARBON RESISTOR	10K 1/8W 5%	
	R794	OW07-15102-50T	CARBON RESISTOR	1K 1/8W 5%	
	X601	OW04-07200-00H	CRYSTAL	7.2MHZ HC-49S	
	X602	OW04-32768-03S	CRYSTAL	32.768KHZ	
	X603	OW04-04332-01N	CRYSTAL	4.332MHZ 49U-NEW	
	X701	OW04-16934-41M	CRYSTAL	16.934MHZ	

■ Electrical parts list (Power board)

Block No. 03

△	Item	Parts number	Parts name	Remarks	Area
	CN403	OW20-21040-00	CONNECTOR HEAD	P=2MM 4PIN	
	CN705	OW20-41022-25	CONNECTOR HOUG	P=2MM 2PIN	
	CN901	OW20-12050-00	CONNECTOR HEAD	P=2.5MM 5PIN	
	CN902	OW20-12030-00	CONNECTOR HEAD	P=2.5MM 3PIN	
	CN903	OW20-42021-48	CONNECTOR HOUG	P=2.5MM 2PIN	
△	C901	OW05-00203-82	C.CAPACITOR	0.02MF +80/-20%	
△	C902	OW05-00203-82	C.CAPACITOR	0.02MF +80/-20%	
△	C903	OW05-00203-82	C.CAPACITOR	0.02MF +80/-20%	
△	C904	OW05-00203-82	C.CAPACITOR	0.02MF +80/-20%	
△	C905	OW05-00203-82	C.CAPACITOR	0.02MF +80/-20%	
△	C906	OW05-00203-82	C.CAPACITOR	0.02MF +80/-20%	
△	C907	OW05-00203-82	C.CAPACITOR	0.02MF +80/-20%	
△	C908	OW05-00203-82	C.CAPACITOR	0.02MF +80/-20%	
△	C909	OW05-00104-00	C.CAPACITOR	0.1MF 50V 10%	B
△	C909	OW05-00104-01	C.CAPACITOR	0.1MF 100V 10%	E,EN,EV
△	C910	OW05-00104-01	C.CAPACITOR	0.1MF 100V 10%	E,EN,EV
△	C910	OW05-00104-00	C.CAPACITOR	0.1MF 50V 10%	B
△	C911	OW05-00104-00	C.CAPACITOR	0.1MF 50V 10%	B
△	C911	OW05-00104-01	C.CAPACITOR	0.1MF 100V 10%	E,EN,EV
△	C912	OW05-00104-01	C.CAPACITOR	0.1MF 100V 10%	E,EN,EV
△	C912	OW05-00104-00	C.CAPACITOR	0.1MF 50V 10%	B
△	C913	OW05-00203-82	C.CAPACITOR	0.02MF +80/-20%	
△	C914	OW05-00203-82	C.CAPACITOR	0.02MF +80/-20%	
△	C915	OW05-00203-82	C.CAPACITOR	0.02MF +80/-20%	
△	C916	OW05-00203-82	C.CAPACITOR	0.02MF +80/-20%	
△	C917	OW06-16477-00	E.CAPACITOR	470MF 16V	
△	C918	OW06-25477-00	E.CAPACITOR	470MF 25V	
△	C919	OW06-35477-00	E.CAPACITOR	470MF 35V	
△	C920	OW06-35477-00	E.CAPACITOR	470MF 35V	
△	C921	OW06-25477-00	E.CAPACITOR	470MF 25V	
△	C922	OW06-16336-00	E.CAPACITOR	33MF 16V	
	C923	OW05-00203-82	C.CAPACITOR	0.02MF +80/-20%	
	C924	OW05-00203-82	C.CAPACITOR	0.02MF +80/-20%	
	C925	OW05-00203-82	C.CAPACITOR	0.02MF +80/-20%	
△	D901	OW02-04001-00	DIODE	1N4001	
△	D902	OW02-04001-00	DIODE	1N4001	
△	D903	OW02-04001-00	DIODE	1N4001	
△	D904	OW02-04001-00	DIODE	1N4001	
△	D905	OW02-04001-00	DIODE	1N4001	
△	D906	OW02-04001-00	DIODE	1N4001	
△	D907	OW02-04001-00	DIODE	1N4001	
△	D908	OW02-04001-00	DIODE	1N4001	
△	D909	OW02-05402-00	DIODE	IN5402-F	
△	D910	OW02-05402-00	DIODE	IN5402-F	
△	D911	OW02-05402-00	DIODE	IN5402-F	
△	D912	OW02-05402-00	DIODE	IN5402-F	
△	D913	OW02-04001-00	DIODE	1N4001	
△	D914	OW02-04001-00	DIODE	1N4001	
△	D915	OW02-04001-00	DIODE	1N4001	
△	D916	OW02-04001-00	DIODE	1N4001	
	D917	OW02-04001-00	DIODE	1N4001	
	D918	OW02-04148-00R	DIODE	IN4148	
△	F901	OW33-57162-02	FUSE	1.6A 250V	
△	F902	OW33-57252-02	FUSE	2.5A 250V	
△	F903	OW33-57252-02	FUSE	2.5A 250V	
△	F904	OW33-57162-02	FUSE	1.6A 250V	
	HF901	OW39-10001-00A	FUSE HOLDER		
	HF902	OW39-10001-00A	FUSE HOLDER		
	HF903	OW39-10001-00A	FUSE HOLDER		
	HF904	OW39-10001-00A	FUSE HOLDER		
	JK401	OW12-00035-42	PHONE JACK	MSJ-0350-10AB	
	Q901	OW01-00733-16	TRANSISTOR	2SA733P	
	Q902	OW01-00945-16	TRANSISTOR	2SC945P	

△	Item	Parts number	Parts name	Remarks	Area
△	RL901	OW16-50105-00	RELAY SWITCH	OJ-SH-105LM	
	R901	OW07-15472-50T	CARBON RESISTOR	4.7K 1/8W 5%	
	R902	OW07-15473-50T	CARBON RESISTOR	47K 1/8W 5%	
	R903	OW07-15473-50T	CARBON RESISTOR	47K 1/8W 5%	
	R904	OW07-15152-50T	CARBON RESISTOR	1.5K 1/8W 5%	
	R905	OW07-15680-26T	CARBON RESISTOR	68 1/4W 5%	
△	TR901	OW15-80005-00	TRANSFORMER	T05875A	
△	TR902	OW15-80003-01	TRANSFORMER	T28-012200500	

■ Electrical parts list (Key board)

Block No. 04

△	Item	Parts number	Parts name	Remarks	Area
	CN103	OW20-12020-01K	CONNECTOR HEADE	P=2.5MM 2PIN	
	CN104	OW20-42032-17	CONNECTOR HOUG	P=2.5MM 3PIN	
	CN801	OW20-41032-17	CONNECTOR HOUG	P=2MM 3PIN	
	CN802	OW20-41062-26	CONNECTOR HOUG	P=2MM 6PIN	
	C801	OW06-10476-00S	E.CAPACITOR	47MF 10V	
	C802	OW05-00203-82	C.CAPACITOR	0.02MF +80/-20%	
	C803	OW05-00203-82	C.CAPACITOR	0.02MF +80/-20%	
	D801	OW02-30004-07	LED	BLUE 31B4SCB04	
	D802	OW02-30004-07	LED	BLUE 31B4SCB04	
	D804	OW02-50000-10D	LED	RED/GRN	
	D805	OW02-50000-10D	LED	RED/GRN	
	D806	OW02-50000-10D	LED	RED/GRN	
	D807	OW02-04148-00R	DIODE	IN4148	
	D808	OW02-04148-00R	DIODE	IN4148	
	D809	OW02-04148-00R	DIODE	IN4148	
	D810	OW02-04148-00R	DIODE	IN4148	
	LED	OW25-23070-02K	CONNECTOR	UL2651 2PIN	
	Q801	OW01-00945-16	TRANSISTOR	2SC945P	
	Q802	OW01-00733-16	TRANSISTOR	2SA733P	
	Q803	OW01-00945-16	TRANSISTOR	2SC945P	
	Q804	OW01-00733-16	TRANSISTOR	2SA733P	
	Q805	OW01-00945-16	TRANSISTOR	2SC945P	
	Q806	OW01-00733-16	TRANSISTOR	2SA733P	
	R801	OW07-15103-50T	CARBON RESISTOR	10K 1/8W 5%	
	R802	OW07-15103-50T	CARBON RESISTOR	10K 1/8W 5%	
	R803	OW07-15101-50T	CARBON RESISTOR	100 1/8W 5%	
	R804	OW07-15121-50T	CARBON RESISTOR	120 1/8W 5%	
	R805	OW07-15103-50T	CARBON RESISTOR	10K 1/8W 5%	
	R806	OW07-15103-50T	CARBON RESISTOR	10K 1/8W 5%	
	R807	OW07-15101-50T	CARBON RESISTOR	100 1/8W 5%	
	R808	OW07-15121-50T	CARBON RESISTOR	120 1/8W 5%	
	R809	OW07-15103-50T	CARBON RESISTOR	10K 1/8W 5%	
	R810	OW07-15103-50T	CARBON RESISTOR	10K 1/8W 5%	
	R811	OW07-15121-50T	CARBON RESISTOR	120 1/8W 5%	
	R812	OW07-15101-50T	CARBON RESISTOR	100 1/8W 5%	
	R813	OW07-15750-50T	CARBON RESISTOR	75 1/8W 5%	
	R814	OW07-15471-50T	CARBON RESISTOR	470 1/8W 5%	
	R815	OW07-15152-50T	CARBON RESISTOR	1.5K 1/8W 5%	
	R816	OW07-15102-50T	CARBON RESISTOR	1K 1/8W 5%	
	R817	OW07-15272-50T	CARBON RESISTOR	2.7K 1/8W 5%	
	R818	OW07-15562-50T	CARBON RESISTOR	5.6K 1/8W 5%	
	R819	OW07-15682-50T	CARBON RESISTOR	6.8K 1/8W 5%	
	R820	OW07-15333-50T	CARBON RESISTOR	33K 1/8W 5%	
	R821	OW07-15273-50T	CARBON RESISTOR	27K 1/8W 5%	
	R822	OW07-15823-50T	CARBON RESISTOR	82K 1/8W 5%	
	R823	OW07-15750-50T	CARBON RESISTOR	75 1/8W 5%	
	R824	OW07-15471-50T	CARBON RESISTOR	470 1/8W 5%	
	R825	OW07-15681-50T	CARBON RESISTOR	680 1/8W 5%	
	R826	OW07-15182-50T	CARBON RESISTOR	1.8K 1/8W 5%	
	R827	OW07-15912-50T	CARBON RESISTOR	9.1K 1/8W 5%	
	R828	OW07-15392-50T	CARBON RESISTOR	3.9K 1/8W 5%	
	R829	OW07-15822-50T	CARBON RESISTOR	8.2K 1/8W 5%	
	R830	OW07-15153-50T	CARBON RESISTOR	15K 1/8W 5%	
	R831	OW07-15273-50T	CARBON RESISTOR	27K 1/8W 5%	
	R832	OW07-15823-50T	CARBON RESISTOR	82K 1/8W 5%	
	R833	OW07-15100-50T	CARBON RESISTOR	10 1/8W 5%	
	R834	OW07-15103-50T	CARBON RESISTOR	10K 1/8W 5%	
	R835	OW07-15103-50T	CARBON RESISTOR	10K 1/8W 5%	
	R836	OW07-15103-50T	CARBON RESISTOR	10K 1/8W 5%	
	R837	OW07-15560-50T	CARBON RESISTOR	56 1/8W 5%	
	SE801	OW02-67138-00	SENSOR	RPM7138-V4	
	SW801	OW16-10101-08S	TACT SWITCH	EVQJAE05R H=5MM	
	SW802	OW16-10101-08S	TACT SWITCH	EVQJAE05R H=5MM	

△	Item	Parts number	Parts name	Remarks	Area
	SW803	OW16-10101-08S	TACT SWITCH	EVQJAE05R H=5MM	
	SW804	OW16-10101-08S	TACT SWITCH	EVQJAE05R H=5MM	
	SW805	OW16-10101-08S	TACT SWITCH	EVQJAE05R H=5MM	
	SW806	OW16-10101-08S	TACT SWITCH	EVQJAE05R H=5MM	
	SW807	OW16-10101-08S	TACT SWITCH	EVQJAE05R H=5MM	
	SW808	OW16-10101-08S	TACT SWITCH	EVQJAE05R H=5MM	
	SW809	OW16-10101-08S	TACT SWITCH	EVQJAE05R H=5MM	
	SW810	OW16-10101-08S	TACT SWITCH	EVQJAE05R H=5MM	
	SW811	OW16-10101-08S	TACT SWITCH	EVQJAE05R H=5MM	
	SW812	OW16-10101-08S	TACT SWITCH	EVQJAE05R H=5MM	
	SW813	OW16-10101-08S	TACT SWITCH	EVQJAE05R H=5MM	
	SW814	OW16-10101-08S	TACT SWITCH	EVQJAE05R H=5MM	
	SW815	OW16-10101-08S	TACT SWITCH	EVQJAE05R H=5MM	
	SW816	OW16-10101-08S	TACT SWITCH	EVQJAE05R H=5MM	
	SW817	OW16-10101-08S	TACT SWITCH	EVQJAE05R H=5MM	
	SW818	OW16-10101-08S	TACT SWITCH	EVQJAE05R H=5MM	
	SW819	OW16-10101-08S	TACT SWITCH	EVQJAE05R H=5MM	
	SW820	OW16-10101-08S	TACT SWITCH	EVQJAE05R H=5MM	

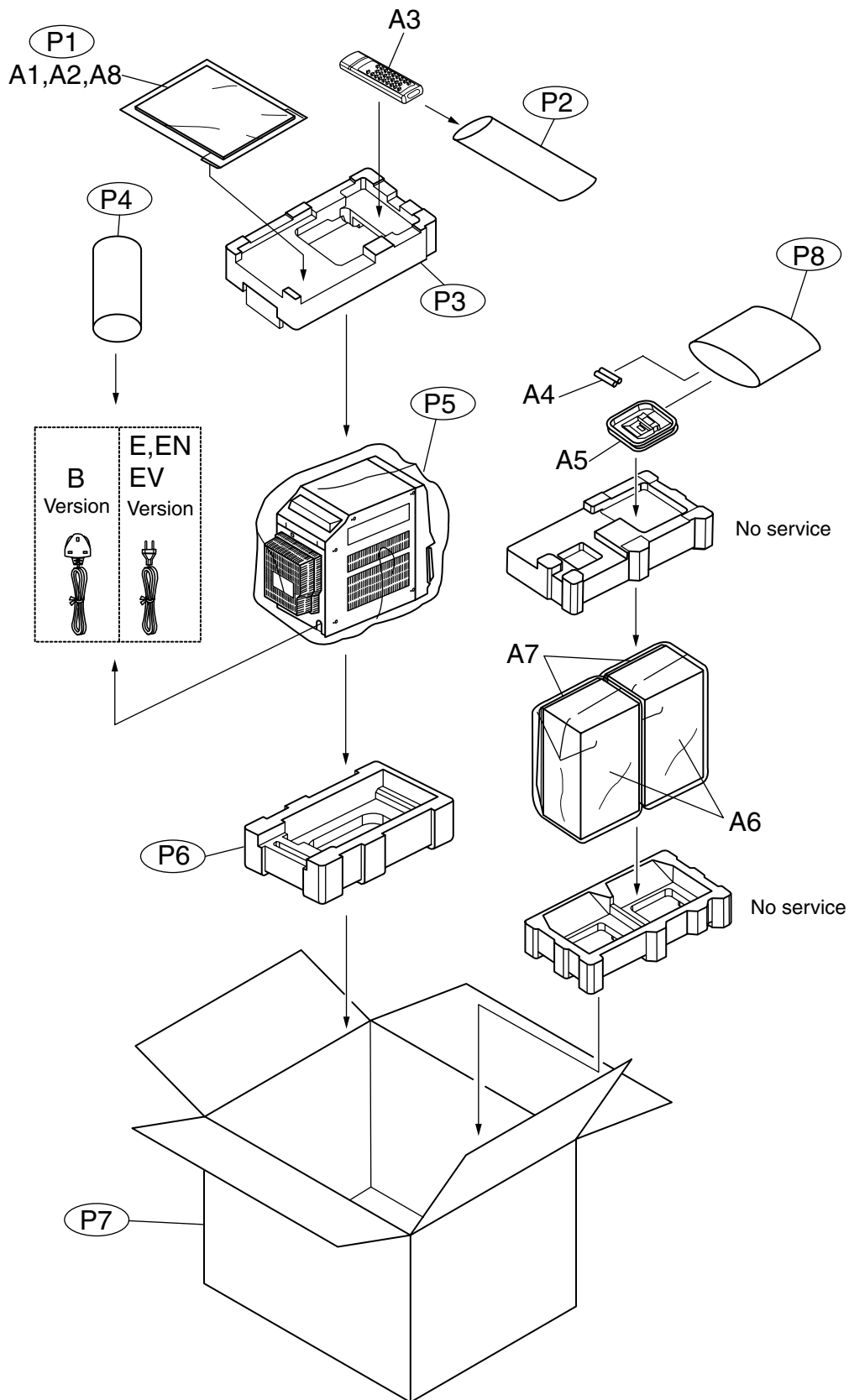
Packing materials and accessories parts list

Block No.

M	3	M	M
---	---	---	---

Block No.

M	5	M	M
---	---	---	---



■ Parts list (Packing)

Block No. M3MM

△	Item	Parts number	Parts name	Q'ty	Description	Area
	P1	OW85-91014-02	POLY BAG	1	INSTRUCTIONS	
	P2	OW85-00025-01A	POLY BAG	1	REMOTE UNIT	
	P3	OW86-50000-00	POLY FOAM	1	TOP	
	P4	OW90-00018-00	POLY BAG	1	AC POWER COARD	
	P5	OW85-92224-04	POLY BAG	1	SET	
	P6	OW86-50000-01	POLY FOAM	1	BOTTOM	
	P7	OW83-30000-12	GIFT BOX	1		
	P8	OW85-90710-04	POLY BAG	1		

■ Parts list (Accessories)

Block No. M5MM

△	Item	Parts number	Parts name	Q'ty	Description	Area
	A1	OW88-50000-51	INSTRUCTIONS	1	SWE,FIN,CZE	EN
		OW88-50000-51	INSTRUCTIONS	1	GER,FRE,SPA,ITA	EN
		OW88-50000-49	INSTRUCTIONS	1	ENG	B
		OW88-50000-47	INSTRUCTIONS	1	RUS,POL,HUN,CZE	EV
		OW88-50000-40	INSTRUCTIONS	1	GER,FRE,DUT	E
	A2	OW88-50000-58	WARRANTY CARD	1	BT-54008-3	
	A3	OWV-RE-JVC	REMOTE UNIT	1	RM-SUXM5R	
	A4	-----	BATTERY	2		
	A5	OW23-04910-02	AM ANT LOOP	1	4910 L=1M W/JST	
	A6	OW00-50000-00	SPEAKER BOX	2		
	A7	OW55-50000-00	SPK NET ASSY	2		