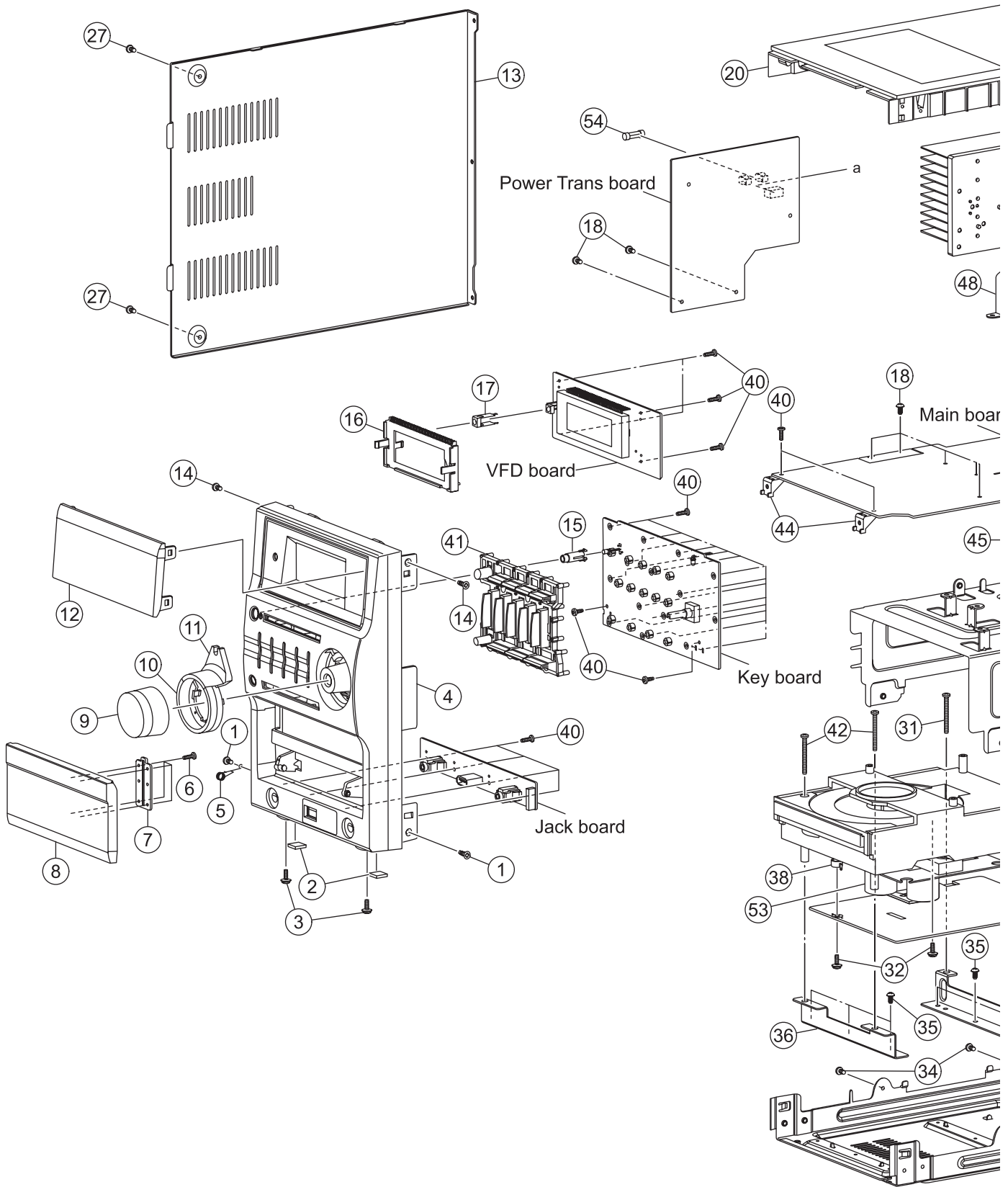
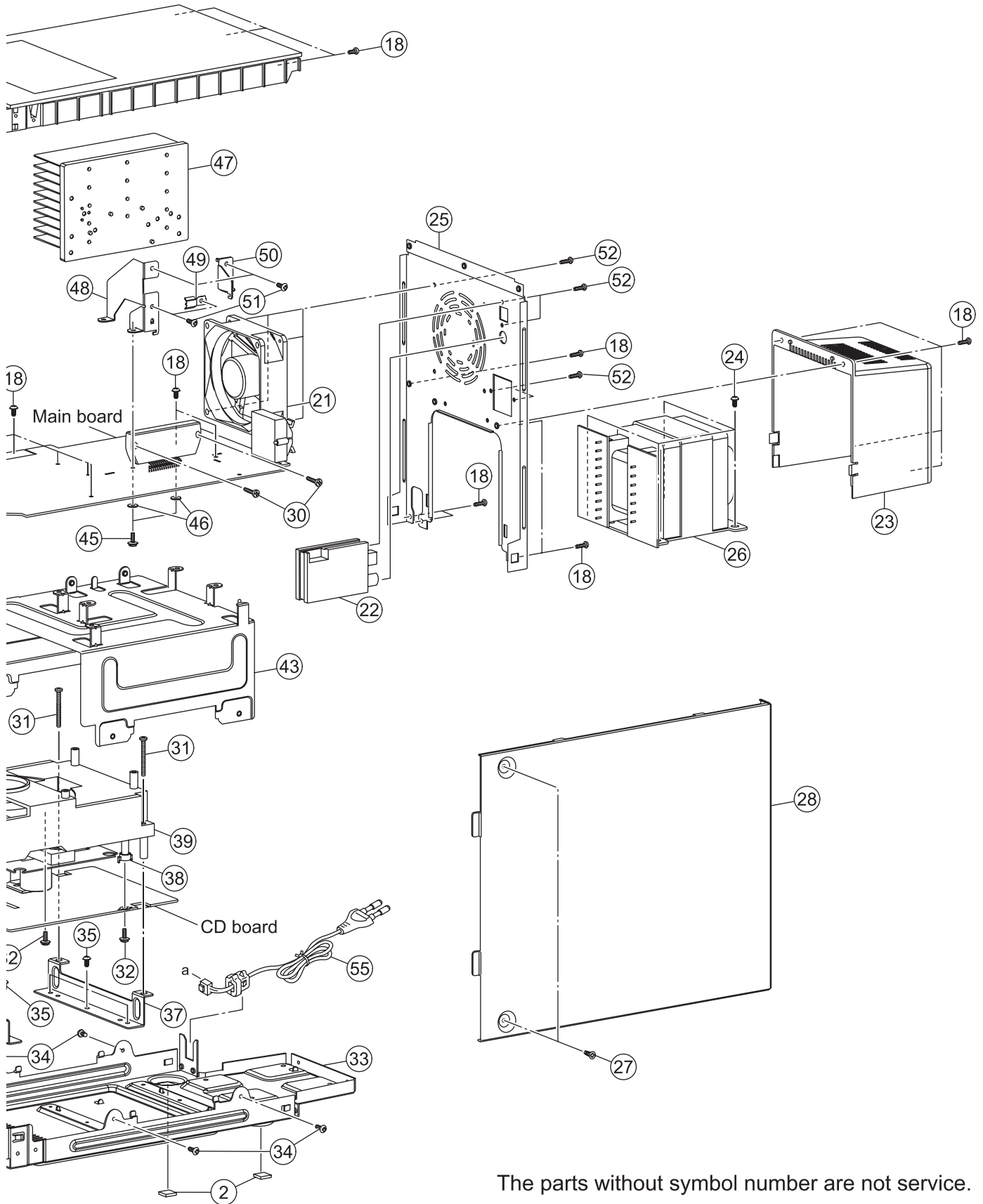


Exploded view of general assembly and parts list

Block No. M 1 M M



M



The parts without symbol number are not service.