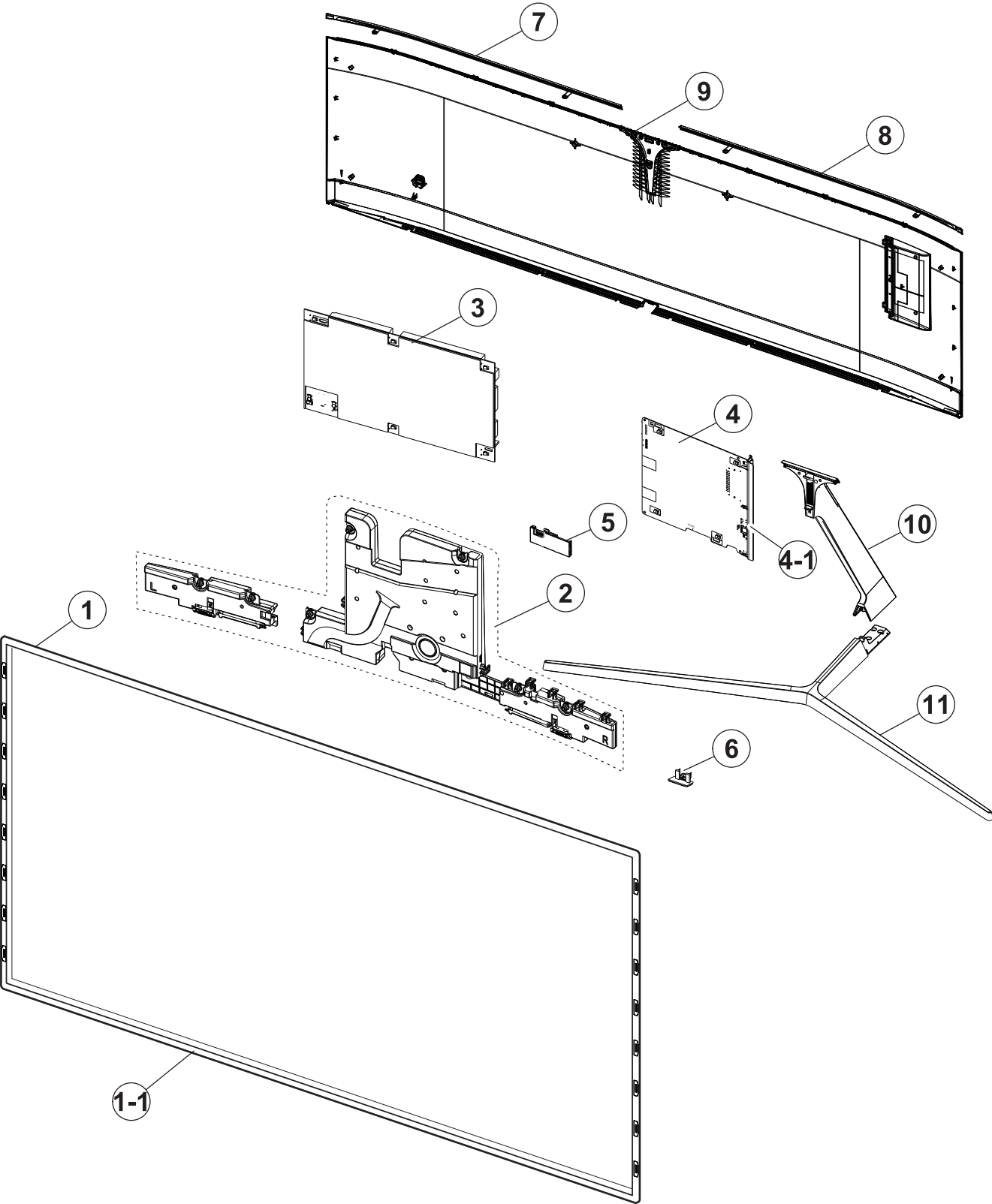


1. Exploded View & Part List

Exploded View

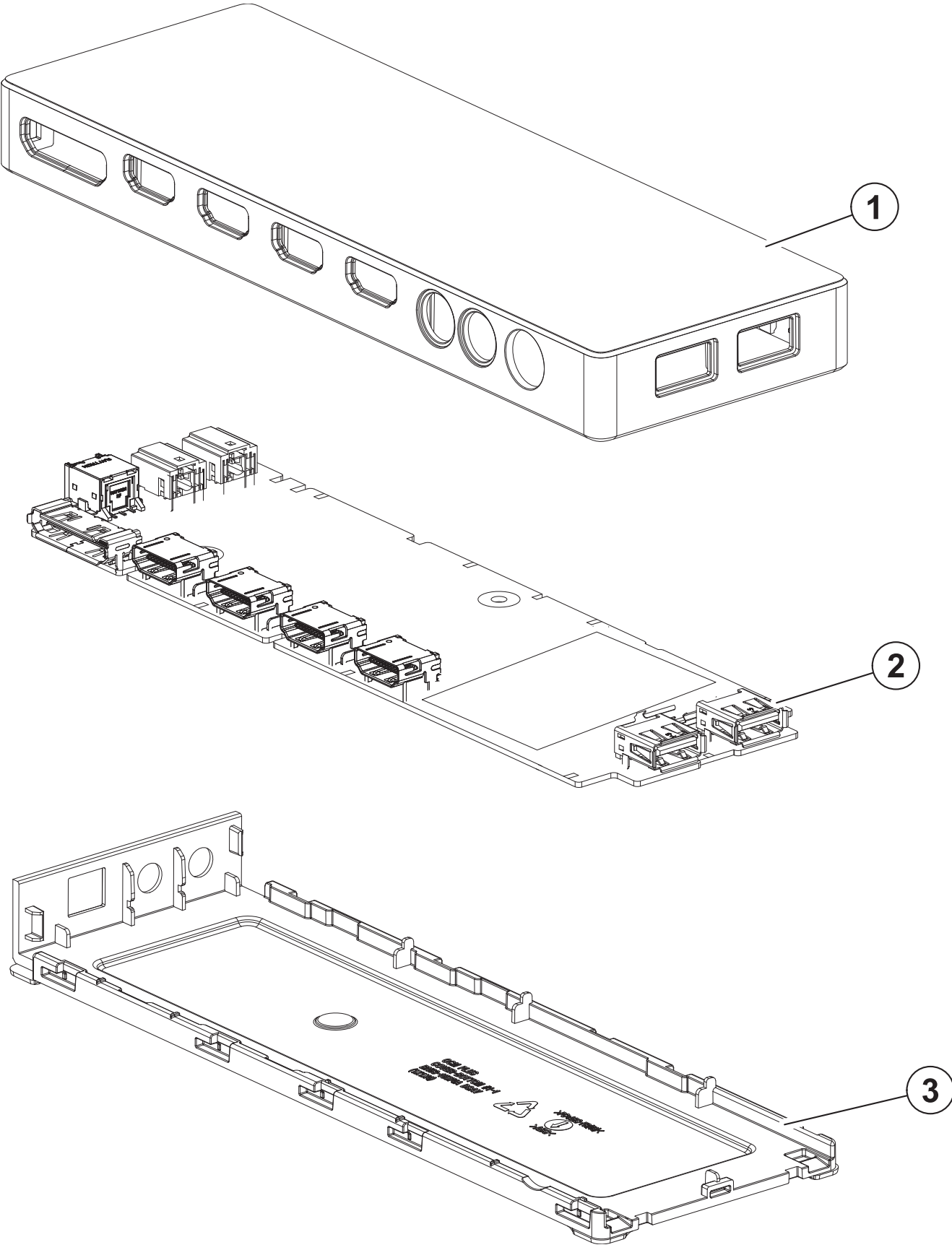


Parts List

No.	Lvl.	Loc.	Material Code	Description & Specification	SNA	Qty.
1	1	PANEL	BN95-02603B	PRODUCT LCD-SDC; CY-QK065FLLV4V/H,KS8000,	SA	1
1-1	2		BN96-39566A	ASSY COVER P-DECORATION; PC+ABS+MF17%,V1,	SA	1
2	2		BN96-39911A	ASSY SPEAKER P-FRONT; TV-SPK,KS8000,6ohm,	SA	1
3	2	P001A	BN44-00880A	DC VSS-PD BOARD; L65E8N_KSM,AC/DC,237W,10	SA	1
4	2	M0014	BN94-10770A	ASSY PCB MAIN; LED 6K TV	SA	1
4-1	3		BN63-15050D	COVER-TERMINAL SIDE; 55KS9000,HIPS,MOLD,H	SA	1
5	2	WIFI	BN59-01239A	NETWORK-WLAN CLIENT; WCK730B,USB 2.0,16P,	SA	1
6	2		BN96-39802D	ASSY BOARD P-FUNCTION TACT; KS8000,SJ16-0	SA	1
7	2		BN95-02715A	ASSY DECORATION SMT-REAR LEFT; 65KS8000,S	SA	1
8	2		BN95-02719A	ASSY DECORATION SMT-REAR RIGHT; 65KS8000,	SA	1
9	2		BN96-39746B	ASSY COVER P-REAR BOTTOM; 65KS8000,PC+ABS	SA	1
10	2		BN96-39930A	ASSY STAND P-NECK; 65KS8000,ALDC,NATURAL,	SA	1
11	2	SB02A	BN96-39935A	ASSY STAND P-BOTTOM; 65KS8000,ALDC,NATURA	SA	1

2. ONE CONNECT Exploded View & Part List

ONE CONNECT Exploded View



Parts List

No.	Lvl.	Loc.	Material Code	Description & Specification	SNA	Qty.
1	2	T001A	BN96-40188F	ASSY COVER P-TOP; 55KS9000,PC+ABS,V-0,BK0	SNA	1
2	2	OCMBD	BN94-10924F	ASSY PCB MISC-ONE CONNECT MINI; Y16 OCM P	SNA	1
3	2	RB01	BN63-15074E	COVER-BOTTOM; OCM PLUS,PC+ABS,MOLD,V-0,BK	SNA	1

3. Electrical Parts List

Level	Loc.	Part Code	Description & Specification	Qty.	SA/SNA
			UE65KS8000TXZF (FA02)		
1	R001A	BN90-08148B	ASSY COVER REAR;UK8V,65"	1	SNA
.2	SCREW	6003-000282	SCREW-TAPTYPE;BH,+,-,B,M3,L8,ZPC(BLK),SW	6	SA
.2		BN96-39746B	ASSY COVER P-REAR BOTTOM;65KS8000,PC+ABS	1	SA
..3		BN61-13303A	HOLDER-COVER;55KS9000,Si,MOLD,BLACK	2	SNA
..3	AS080	BN63-07556C	SHEET;TOC,PO,T0.068,W50,L100000,CLEAR,TA	2	SNA
..3		BN63-15071A	COVER-REAR BOTTOM;65KS8000,PC+ABS+ED20%,	1	SNA
..3		BN64-03528D	INLAY-TERMINAL SIDE;55KS7000,PET,T0.125,	1	SNA
..3		BN68-07835C	LABEL-STICKER LICENSE;40K5500,PET,T0.125	1	SNA
1	S001A	BN90-08154A	ASSY STAND;UK8V,65"	1	SNA
.2		BN96-39930A	ASSY STAND P-NECK;65KS8000,ALDC,NATURAL,	1	SA
..3		6902-002656	BAG PE;HDPE/PE FOAM,T0.015/T0.5,W180,L60	1	SNA
..3		BN61-04692A	ADHESIVE-AA;SHEET,CLEAR,C043	1	SNA
..3		BN61-07463N	TAPE-DOUBLE FACE;ACRYL,T0.25,W12,CLEAR	0	SNA
..3		BN61-13285A	BRACKET-STAND NECK;65KS8000,ALDC12,MOLD,	1	SNA
..3		BN61-13784A	HOLDER-MAGNET;65KS9000,Nd,T0.6,SILVER,W1	2	SNA
..3		BN63-15131A	COVER-STAND DECORATION;ABS,MOLD,HB,SILVE	1	SNA
..3		BN69-13618A	PAD PACKING;65KS9000,PAPER,T0.03,W700,L4	1	SNA
..3		BN96-36261A	ASSY ACCESSORY-SCREW;JU7000 75",6003-001	1	SNA
..4	SCREW	6003-001334	SCREW-TAPTYPE;BH,+,S,M4,L14,ZPC(BLK),SWR	4	SA
..4		6902-002476	BAG SCREW;LDPE,T0.05*,W70,L90,TRP,RECYCL	1	SNA
..3		BN96-40067A	ASSY ACCESSORY-SCREW;65KS9000,6003-00188	1	SNA
..4	SCREW	6003-001880	SCREW-TAPTYPE;BH,+,M4,L14,ZPC(BLK),SWRCH	3	SA
..4		6902-002665	BAG SCREW;LDPE,T0.05,W70,L90,TRP,RECYCLE	1	SNA
.2	SB02A	BN96-39935A	ASSY STAND P-BOTTOM;65KS8000,ALDC,NATURA	1	SA
..3		6902-002654	BAG PE;HDPE/PE FOAM,T0.015/T0.5,W70,L500	2	SNA
..3		6902-002655	BAG PE;HDPE/PE FOAM,T0.015/T0.5,W80,L350	1	SNA
..3		BN61-13282A	BRACKET-STAND BOTTOM;65KS8000,ALDC12,MOL	1	SNA
..3	RF01	BN61-13520C	FOOT-RUBBER;55KS9000,RUBBER,GRAY,W6,L25,	4	SNA
..3		BN68-05603A	LABEL-E PASS;ART PAPER 90G,W/W	3	SNA
..3		BN69-13618B	PAD PACKING;65KS9000,PAPER,T0.03,W200,L5	2	SNA
..3		BN69-13618C	PAD PACKING;65KS9000,PAPER,T0.03,W300,L5	1	SNA
1		BN90-08294C	ASSY W/I;UKS*	1	SNA
.2		BN81-08159Z	A/S PART SET-ELEC W/I;LED TV ELEC spec-C	1	SNA
.2		BN81-11282V	A/S PART SET-MECH W/I;UKS8000V,U65KV*	1	SNA
1	M0017	BN91-17246C	ASSY CHASSIS;LED TV 6K	1	SNA
.2	M0014	BN94-10770A	ASSY PCB MAIN;LED 6K TV	1	SA
..3		BN62-00816A	HEAT SINK-PS;55KS9000,A1050,T6.3,W145,L1	1	SNA

Level	Loc.	Part Code	Description & Specification	Qty.	SA/SNA
..3		BN63-15050D	COVER-TERMINAL SIDE;55KS9000,HIPS,MOLD,H	1	SA
..3		BN97-10675D	ASSY SMD;UK8V,ZG,55",SDC	1	SNA
...4		0403-001164	DIODE-ZENER;MMSZ5232B,5.32~5.88V,500mW,S	1	SA
...4		0403-001831	DIODE-ZENER;KDZ12B,12~13.5V,1000mW,SOD-1	1	SA
...4		0403-002014	DIODE-ZENER;KDZ16B,16.2~18.3V,1000mW,SOD	2	SNA
...4		0404-001307	DIODE-SCHOTTKY;SSC54,40V,5000mA,DO-214AB	1	SA
...4		0404-001640	DIODE-SCHOTTKY;SS1060HEWS,60V,1000mA,SOD	1	SA
...4		0404-001953	DIODE-SCHOTTKY;MBRA340F-HAF,40V,3000mA,S	3	SA
...4		0406-001628	DIODE-TVS;AOZ8804ADI,6V,1MAV,5A,TP	1	SA
...4		0406-001643	DIODE-TVS;1SMA33AT3G,36.7V,38.65V,40.6V,	1	SNA
...4		0504-000126	TR-DIGITAL;KSR1101,NPN,200mW,4.7K/4.7K,S	2	SA
...4		0505-001844	FET-SILICON;SI4435DDY-T1-GE3,P,30V,-11.4	4	SA
...4		0505-002598	FET-SILICON;AP2317GN,P,20V,-4.2A,0.052oh	1	SA
...4		0505-002660	FET-SILICON;Si2308BDS,N,60V,2.3A,0.156oh	1	SA
...4		0505-002893	FET-SILICON;AO4801AS,P,30V,-5A,2W,SOIC-8	1	SA
...4		0505-003205	FET-SILICON;DMG4435SSS-13,P,30V,-7.3A,1.	1	SA
...4		0505-003264	FET-SILICON;AO4447AL,P,30V,-17A,7mohm,3.	1	SA
...4		0505-003391	FET-SILICON;AOD2922,N,100V,8A,140Mohm,18	1	SA
...4		0505-003397	FET-SILICON;2N7002K,N,60V,0.38A,1.19ohm,	1	SA
...4		0801-003603	IC-CMOS LOGIC;MC74LCX244MN2TWG,Octal buf	1	SA
...4		1001-001998	IC-ANALOG MULTIPLEX;NX3DV221GM,USB switc	1	SA
...4		1006-001576	IC-DRIVER/RECEIVER;MAX3221ECPWR,TSSOP,16	1	SA
...4		1103-001564	IC-EEPROM;S-24C512CI-J800,512Kbit,64Kx8,	1	SA
...4		1105-002704	IC-DDR4 SDRAM;K4F8E304HB-MGCH,LPDDR4-SDR	3	SA
...4		1201-000166	IC-OP AMP;LM358,SOP,ST,8P,150MIL,DUAL,10	1	SA
...4		1201-004003	IC-AUDIO AMP;TAS880021,TSSOP,48P,12.5x6.	3	SA
...4		1203-004364	IC-VOL. DETECTOR;RT9818C-42PV,SOT-23,3P,	1	SA
...4		1203-008105	IC-POSIXED REG.;S-13A1D33-E800,HSOP,8	1	SNA
...4		1203-008391	IC-DC/DC CONVERTER;AOZ1269QI-02,QFN-23L,	1	SA
...4		1203-008392	IC-VOL. DETECTOR;S-6414AAB-L800X,TSOT-23	1	SA
...4		1203-008664	IC-DC/DC CONVERTER;RT6935BGQW,WQFN,56,7x	1	SA
...4		1203-008667	IC-DC/DC CONVERTER;RT6936A,WQFN,40,6x6mm	1	SA
...4		1203-008732	IC-DC/DC CONVERTER;SYD104ADC,TSOT-23,6,3	1	SA
...4		1203-008733	IC-DC/DC CONVERTER;AOZ1236QI-02,QFN,23,4	1	SA
...4		1203-008735	IC-DC/DC CONVERTER;AOZ1267QI-02,QFN,23,4	1	SA
...4		1204-003679	IC-DECODER;SDP1501,FCPBGAAH,1230P,35*35mm	1	SA
...4		1205-004822	IC-SWITCH;TPS22965DSGR,SON,8P,2x2x0.75mm	3	SNA
...4		1205-005554	IC-REPEATER;TMDS181,VQFN,48P,7x7mm,PLAST	1	SA
...4	IS01	1209-002183	IC-SENSOR;S-5851AAA-M6T1U,SOT,6Z30,2.9x1	1	SA
...4		1404-001731	THERMISTOR-NTC;33Kohm,4050K,1mW/C,TP,1.6	2	SNA

Exploded Views and Parts List

Level	Loc.	Part Code	Description & Specification	Qty.	SA/SNA
...4		1405-001271	VARISTOR;35V,20VDC,5A,1005,TP,100V,10pF	10	SA
...4		1405-001381	VARISTOR;11V,8VDC,30A,1608,TP,25V,500pF	3	SA
...4		1405-001382	VARISTOR;24.5V,16VDC,120A,2012,TP,42V,40	2	SA
...4		2007-000039	R-CHIP;0ohm,1%,1/10W,TP,1608	13	SA
...4		2007-000040	R-CHIP;150ohm,1%,1/10W,TP,1608	1	SNA
...4		2007-000052	R-CHIP;10Kohm,1%,1/10W,TP,1608	2	SA
...4		2007-000070	R-CHIP;0ohm,5%,1/10W,TP,1608	11	SA
...4		2007-000084	R-CHIP;4.7Kohm,5%,1/10W,TP,1608	2	SA
...4		2007-000146	R-CHIP;6.8Kohm,5%,1/16W,TP,1005	1	SNA
...4		2007-000309	R-CHIP;10ohm,5%,1/10W,TP,1608	1	SA
...4		2007-000736	R-CHIP;30Kohm,1%,1/10W,TP,1608	1	SA
...4		2007-000932	R-CHIP;470ohm,5%,1/16W,TP,1005	1	SNA
...4		2007-000939	R-CHIP;47Kohm,1%,1/10W,TP,1608	1	SA
...4		2007-001125	R-CHIP;68Kohm,1%,1/10W,TP,1608	2	SA
...4		2007-001292	R-CHIP;33ohm,5%,1/16W,TP,1005	14	SNA
...4		2007-001298	R-CHIP;51ohm,5%,1/16W,TP,1005	9	SNA
...4		2007-002899	R-CHIP;10ohm,1%,1/10W,TP,1608	9	SA
...4		2007-007131	R-CHIP;13Kohm,1%,1/16W,TP,1005	4	SA
...4		2007-007142	R-CHIP;10Kohm,1%,1/16W,TP,1005	65	SNA
...4		2007-007231	R-CHIP;110Kohm,1%,1/10W,TP,1608	1	SA
...4		2007-007313	R-CHIP;6.8Kohm,1%,1/16W,TP,1005	3	SA
...4		2007-007316	R-CHIP;3.3Kohm,1%,1/16W,TP,1005	3	SNA
...4		2007-007317	R-CHIP;2.2Kohm,1%,1/16W,TP,1005	1	SA
...4		2007-007334	R-CHIP;200Kohm,1%,1/16W,TP,1005	4	SNA
...4		2007-007517	R-CHIP;240ohm,1%,1/16W,TP,1005	9	SNA
...4		2007-007520	R-CHIP;20ohm,1%,1/10W,TP,1608	18	SA
...4		2007-007528	R-CHIP;1.5Kohm,1%,1/16W,TP,1005	7	SA
...4		2007-007627	R-CHIP;16Kohm,1%,1/16W,TP,1005	1	SA
...4		2007-007798	R-CHIP;10ohm,1%,1/16W,TP,1005	9	SA
...4		2007-008136	R-CHIP;36Kohm,1%,1/16W,TP,1005	1	SA
...4		2007-008269	R-CHIP;51Kohm,1%,1/16W,TP,1005	1	SA
...4		2007-008298	R-CHIP;49.9ohm,1%,1/16W,TP,1005	16	SA
...4		2007-008391	R-CHIP;6.34Kohm,1%,1/16W,TP,1005	1	SA
...4		2007-008596	R-CHIP;0.1ohm,1%,1/4W,TP,3216	2	SC
...4		2007-009322	R-CHIP;1.3Kohm,1%,1/16W,TP,1005	3	SA
...4		2011-001261	R-NETWORK;33ohm,5%,1/16W,L,CHIP,8P,TP,2.	6	SA
...4		2011-001264	R-NETWORK;10ohm,5%,1/16W,L,CHIP,8P,TP,2.	16	SNA
...4		2011-001344	R-NETWORK;100ohm,5%,1/16W,L,CHIP,8P,TP,2	6	SA
...4	AD480	2203-000233	C-CER,CHIP;0.1nF,5%,50V,COG,TP,1005	10	SA
...4	AD480	2203-000278	C-CER,CHIP;0.01nF,0.5pF,50V,COG,TP,1005	1	SA

Level	Loc.	Part Code	Description & Specification	Qty.	SA/SNA
...4	AD480	2203-000386	C-CER,CHIP;0.015nF,5%,50V,C0G,TP,1005	3	SA
...4	AD480	2203-000438	C-CER,CHIP;1nF,10%,50V,X7R,TP,1005	15	SA
...4	AD480	2203-000489	C-CER,CHIP;2.2nF,10%,50V,X7R,TP,1005	1	SA
...4	AD480	2203-000714	C-CER,CHIP;3.3nF,10%,50V,X7R,TP,1005	10	SA
...4	AD480	2203-002398	C-CER,CHIP;22nF,10%,50V,X7R,TP,1608	1	SNA
...4	AD480	2203-005054	C-CER,CHIP;0.0047nF,0.25pF,50V,NP0,TP,10	2	SA
...4	AD480	2203-006377	C-CER,CHIP;4700nF,10%,25V,X5R,TP,2012	3	SNA
...4	AD480	2203-006698	C-CER,CHIP;1000nF,10%,25V,X7R,TP,1608,T0	7	SNA
...4	AD480	2203-006841	C-CER,CHIP;1000nF,10%,16V,X5R,TP,1005	3	SNA
...4	AD480	2203-006844	C-CER,CHIP;470nF,10%,10V,X5R,TP,1005	3	SA
...4	AD480	2203-006890	C-CER,CHIP;10000nF,20%,6.3V,X5R,TP,1608	82	SNA
...4	AD480	2203-007176	C-CER,CHIP;10000nF,10%,16V,X5R,TP,2012,1	25	SNA
...4	AD480	2203-007240	C-CER,CHIP;22000nF,20%,6.3V,X5R,TP,1608(74	SA
...4	AD480	2203-007269	C-CER,CHIP;22000nF,20%,10V,X5R,TP,2012(2	30	SA
...4	AD480	2203-007306	C-CER,CHIP;10000nF,10%,25V,X5R,TP,2012,1	61	SNA
...4	AD480	2203-008315	C-CER,CHIP;22000nF,20%,25V,X5R,TP,2012,T	4	SA
...4		2409-001240	C-ORGANIC,SMD;33uF,20%,25V,LR,TP,7343(1.	1	SA
...4		2409-001338	C-POLYMER ,CHIP;47uF,20%,6.3V,TP,3.2x1.6	1	SA
...4		2703-003747	INDUCTOR-SMD;22uH,20%,6060,0.135ohm,1300	2	SA
...4		2703-003862	INDUCTOR-SMD;10uH,20%,6060,0.065ohm,1900	3	SA
...4		2703-003913	INDUCTOR-SMD;2.2uH,20%,2520,T1.2,0.116Oh	1	SNA
...4		2703-003937	INDUCTOR-SMD;1uH,20%,70647,T3,0.008Ohm,1	3	SA
...4		2703-004724	INDUCTOR-SMD;8.2uH,20%,5050,T4,0.072Ohm,	10	SA
...4		2703-005376	INDUCTOR-SMD;10uH,20%,10.7x10mm,T3.8,0.0	1	SA
...4		2801-004021	CRYSTAL-SMD;24.576MHz,20ppm,28-AAN,12pF,	1	SA
...4		3301-001364	BEAD-SMD;1000ohm,1608,TP,1085ohm/108MHz,	6	SNA
...4		3301-002039	BEAD-SMD;26ohm,1608,TP	51	SA
...4		3601-001376	FUSE-SURFACE MOUNT;32V,3A,FAST-ACTING,Hi	1	SNA
...4		3708-003241	CONNECTOR-FPC/FFC/PIC;96P,0.5mm,SMD-A,AU	2	SNA
...4		3709-001782	CONNECTOR-CARD SLOT;68P,1.27mm,ANGLE,AU,	1	SA
...4		3711-007587	CONNECTOR-HEADER;BOX,18P,2R,2mm,ANGLE,SN	1	SA
...4		3711-007741	CONNECTOR-HEADER;BOX,14P,2R,2.0mm,ANGLE,	1	SA
...4		3711-007975	CONNECTOR-HEADER;BOX,10P,1R,1.25mm,SMD-A	1	SA
...4		3711-009090	CONNECTOR-HEADER;BOX,16P,1R,1.25mm,SMD-A	1	SA
...4		3711-009106	CONNECTOR-HEADER;BOX,20P,2R,2mm,ANGLE,SN	1	SA
...4		3722-003199	JACK-MODULAR;8P/8C,Y,ANGLE,NONE,AU,1PORT	1	SA
...4		3722-003394	JACK-PHONE;1P/6C,AU,BLK,ANGLE,3.6PI,9x14	1	SA
...4		6302-001376	GASKET-SMD;,,CONDUCTIVE FABRIC,T14,W43,L	6	SNA
...4		BN41-02504A	PCB-MAIN;KS8000/KS9000,FR-4,4L,1.2T,214x	1	SNA
...4	CB07	BN61-13312B	BRACKET-SCREWLESS PCB;55KS8000,SK5,T0.3,	4	SNA

Exploded Views and Parts List

Level	Loc.	Part Code	Description & Specification	Qty.	SA/SNA
...4		BN97-10856B	ASSY MICOM-SUB;JMMICOM_EU_TV,UWQ60,W25Q4	1	SNA
....5		1107-002226	IC-NOR FLASH;W25Q40CLSSIP,4Mbit,SOIC,8P,	1	SA
...4		BN97-10858A	ASSY MICOM-MAIN;T-JZMDEUC,UWQ60,KLM8G1GE	1	SNA
....5		1107-002362	IC-EMMC;KLM8G1GEND-B031,8GB,64Gb MLC x 1	1	SNA
...4		BN97-10875A	ASSY MICOM;TCON,W25Q80DVSSIG,1107-002339	1	SNA
....5		1107-002339	IC-NOR FLASH;W25Q80DV,8Mbit,SOP,5.28x5.2	1	SNA
....5		BN46-00515A	S/W MICOM;Jazz M-L,TCON F/W	1	SNA
...3		BN97-10873A	ASSY DRM;Jazz M,DVB,NagSam, MAC, HDCP, C	1	SNA
...4		BN46-00109H	KEY CODE-CERTIFICATION;MAC,TV/AV,General	1	SNA
...4		BN46-00110P	KEY CODE-CERTIFICATION;MIRACAST(HDCP2.2)	1	SNA
...4		BN46-00496A	KEY CODE-CERTIFICATION;Jazz-M,Nagra CSC	1	SNA
...4		BN46-00514A	KEY CODE-CERTIFICATION;CI PLUS,Jazz M, J	1	SNA
...3		BN97-11346A	ASSY MICOM;TCON DATA,65-SDC-Flat	1	SNA
...4		BN46-00504A	S/W MICOM;K65ABU0F,SDC,65A1MU*QK,Flat	1	SNA
...3	M0131	MD63-00103A	GASKET-TAPE;GRANDSLAM,Conductive Fabric,	2	SNA
1		BN91-17394B	ASSY SHIELD;UK8V,65"	1	SNA
.2	SCREW	6001-003081	SCREW-MACHINE;PWH,+,M3,L5,ZPC(WHT),SWRCH	2	SA
.2		BN02-00102B	TAPE-SINGLE FACE;FILAMENT,#8917,T0.15,W2	0	SNA
.2		BN39-02205A	LEAD CONNECTOR-SUB ASSY;65KS9000,Lead Co	1	SA
.2		BN39-02207A	LEAD CONNECTOR-POWER;65KS9000,UL21016,20	1	SA
.2		BN39-02208A	LEAD CONNECTOR-DIMMING;65KS9000,UL21016,	1	SA
.2	16P250	BN39-02212A	LEAD CONNECTOR-SUB ASSY;65KS9000,UL21451	1	SA
.2	P001A	BN44-00880A	DC VSS-PD BOARD;L65E8N_KSM,AC/DC,237W,10	1	SA
.2	WIFI	BN59-01239A	NETWORK-WLAN CLIENT;WCK730B,USB 2.0,16P,	1	SA
.2		BN95-02715A	ASSY DECORATION SMT-REAR LEFT;65KS8000,S	1	SA
...3		AA69-07733Z	PAD-DP SHEET;CTV,CB,DW5,W515,L300	2	SNA
...3		BN64-03372A	COVER-REAR DECORATION LEFT;65KS8000,PC+A	1	SNA
...3		BN69-14492D	PACKING SHEET;-NITRON,T0.015,W650,L500,	2	SNA
.2		BN95-02719A	ASSY DECORATION SMT-REAR RIGHT;65KS8000,	1	SA
...3		0203-007002	TAPE-SINGLE FACE;OPP,T0.06,W75,L66M,CLEA	0	SNA
...3		AA69-07808L	PAD-DP SHEET;CTV,CB,SW,W675,L520	2	SNA
...3		BN01-00168A	COATING;99.50%,Mw 1750~1950,AFS	8	SNA
...3		BN01-00337A	TARGET-ALUMINIUM CY;Al,99.9%,1924mm, 132	0	SNA
...3		BN01-00340A	TARGET-CHROMIUM CY;Cr,99.5%,1924mm, 132d	0	SNA
...3		BN63-14064L	SHEET-PROTECTION COVER;LED_J6000,PO,W16,	1	SNA
...3		BN64-03375A	COVER-REAR DECORATION RIGHT;65KS8000,PC+	1	SNA
...4		0103-010818	RESIN PC ABS;CM20G/BK00749,BLACK,BK0007,	1880	SNA
...3		BN68-03920A	LABEL BOX;ALL,ART PAPER,W100,L75,W/W,100	2	SNA
...3		BN69-13261N	MASTER BOX-DP;65KS8000,CB,DW1,A1,L715,W5	2	SNA
...3		BN69-13675A	PAD-DP BOTTOM EPP;65KS8000,CB,SW,W685,L5	2	SNA

Level	Loc.	Part Code	Description & Specification	Qty.	SA/SNA
.2		BN96-39802D	ASSY BOARD P-FUNCTION TACT;KS8000,SJ16-0	1	SA
.2		BN96-39822A	FFC CABLE;65KS9000,Fold,L450,96P	1	SA
.2		BN96-39823A	FFC CABLE;65KS9000,Fold,L600,96P	1	SA
.2		BN96-39911A	ASSY SPEAKER P-FRONT;TV-SPK,KS8000,6ohm,	1	SA
1		BN91-17868A	ASSY FIXING-JACKPACK;Y16 OCM	1	SA
.2		AA68-02626A	LABEL-PQS;ART,W40,L12,SERIAL	2	SNA
.2		BN39-02210A	ONECONNECTMINI CABLE;KS7000~KS9000,44P,L	1	SA
.2	RB01	BN63-15074E	COVER-BOTTOM;OCM PLUS,PC+ABS,MOLD,V-0,BK	1	SNA
..3		0103-005041	RESIN PC ABS;FR3200TV,901408,BK0008,1.2m	100	SNA
.2		BN69-13267A	BOX ACCESSORY;CB,SW-E,L373,W308	1	SNA
.2	OCMBD	BN94-10924F	ASSY PCB MISC-ONE CONNECT MINI;Y16 OCM P	1	SNA
..3		AH62-00243A	HEAT SINK-ES;HT-E3500,A6063,W23,L23,BLAC	1	SA
..3	OCM BD	BN97-10869F	ASSY SMD;7/8/9 SERIES	1	SNA
...4		0202-001899	SOLDER-CREAM;M705-GRN360-K2-VT,20-38um,S	9	SNA
...4	DS01A	0401-001056	DIODE-SWITCHING;MMBD4148SE,100V,200mA,SO	2	SA
...4	DR01A	0402-001614	DIODE-RECTIFIER;S1G,400V,1A,DO-214AC,TP	2	SA
...4		0403-001783	DIODE-ZENER;BZB84-C6V2,5.8~6.6V,300mW,SO	4	SNA
...4		0404-001404	DIODE-SCHOTTKY;BAT721C,40V,200mA,SOT-23,	4	SA
...4		0404-001881	DIODE-SCHOTTKY;SS3040-HE,40V,3000mA,SOD-	3	SA
...4		0406-001200	DIODE-TVS;RClamp0504F,6V,1MAV,TP	3	SA
...4		0406-001290	DIODE-TVS;3.0SMCJ20A,22.2V,24.5V,5MAV,30	2	SNA
...4		0406-001317	DIODE-TVS;SMAJ14A,15.6V,17.2V,1MAV,6.5VP	1	SNA
...4		0406-001635	DIODE-TVS;SMF5.0A,6.4V,6.7V,7V,200MAV,20	4	SA
...4		0501-000002	TR-SMALL SIGNAL;KSA812,PNP,150mW,SOT-23,	1	SNA
...4		0501-000445	TR-SMALL SIGNAL;KTC3875S-Y,NPN,150mW,SOT	18	SC
...4		0505-003507	FET-SILICON;AO3424,N,30V,3.8A,1.4W,SOT-2	6	SA
...4		0801-003292	IC-CMOS LOGIC;7WB66,Bus Switch,MAB08A,8P	1	SA
...4		0801-003598	IC-CMOS LOGIC;TC7SZ00FU,2-Input NAND Gat	1	SA
...4		0801-003604	IC-CMOS LOGIC;NL17SZ17DFT2G,SC-70,5P,TP,	1	SA
...4		1103-001583	IC-EEPROM;BR24T02FJ-WGE2,2Kbit,256x8,SOP	4	SNA
...4		1203-007697	IC-DC/DC CONVERTER;LNBH26SPQR,QFN,24,4x4	1	SA
...4		1203-008102	IC-POSI.FIXED REG.;S-13A1D12-E800,HSOP,8	2	SNA
...4		1203-008104	IC-POSI.FIXED REG.;S-13A1D18-E800,HSOP,8	1	SNA
...4		1203-008345	IC-POSI.ADJUST REG.;S-13A1ADJ-E800X,HSOP	1	SA
...4		1203-008522	IC-DC/DC CONVERTER;SN1501019DDCR,SOT-23,	7	SA
...4		1204-003677	IC-DECODER;SDP1503,FCPBGAH,396P,18*18mm,	1	SA
...4		1205-005519	IC-SWITCH;ET20163,SOT23-5,5P,2.95x3.02mm	4	SA
...4		1205-005537	IC-REPEATER;TCA9517,VSSOP,8P,3.00x3.00mm	1	SA
...4		2007-000137	R-CHIP;2Kohm,5%,1/16W,TP,1005	2	SNA
...4		2007-000143	R-CHIP;4.7Kohm,5%,1/16W,TP,1005	16	SNA

Exploded Views and Parts List

Level	Loc.	Part Code	Description & Specification	Qty.	SA/SNA
...4		2007-000157	R-CHIP;47Kohm,5%,1/16W,TP,1005	11	SNA
...4		2007-000171	R-CHIP;0ohm,5%,1/16W,TP,1005	77	SNA
...4		2007-000173	R-CHIP;22ohm,5%,1/16W,TP,1005	1	SNA
...4		2007-000879	R-CHIP;4.7ohm,1%,1/10W,TP,1608	1	SA
...4		2007-000999	R-CHIP;510ohm,1%,1/10W,TP,1608	1	SA
...4		2007-002900	R-CHIP;11Kohm,1%,1/10W,TP,1608	1	SNA
...4		2007-007107	R-CHIP;100Kohm,1%,1/16W,TP,1005	28	SNA
...4		2007-007108	R-CHIP;43.2Kohm,1%,1/16W,TP,1005	2	SA
...4		2007-007136	R-CHIP;4.7Kohm,1%,1/16W,TP,1005	81	SNA
...4		2007-007138	R-CHIP;27Kohm,1%,1/16W,TP,1005	2	SNA
...4		2007-007139	R-CHIP;47Kohm,1%,1/16W,TP,1005,T0.35	15	SA
...4		2007-007306	R-CHIP;100ohm,1%,1/16W,TP,1005	31	SNA
...4		2007-007309	R-CHIP;12Kohm,1%,1/16W,TP,1005,T0.35	1	SA
...4		2007-007312	R-CHIP;20Kohm,1%,1/16W,TP,1005	14	SA
...4		2007-007318	R-CHIP;1Kohm,1%,1/16W,TP,1005	33	SNA
...4		2007-007488	R-CHIP;75Kohm,1%,1/16W,TP,1005	7	SNA
...4		2007-007587	R-CHIP;3.6Kohm,1%,1/16W,TP,1005	2	SNA
...4		2007-007766	R-CHIP;2Kohm,1%,1/16W,TP,1005	29	SNA
...4		2007-007767	R-CHIP;200ohm,1%,1/16W,TP,1005	10	SA
...4		2007-007868	R-CHIP;90.9ohm,1%,1/10W,TP,1608	2	SA
...4		2007-007942	R-CHIP;1Mohm,1%,1/16W,TP,1005	2	SNA
...4		2007-007992	R-CHIP;1ohm,1%,1/10W,TP,1608	1	SA
...4		2007-008015	R-CHIP;75ohm,1%,1/16W,TP,1005	1	SNA
...4		2007-008067	R-CHIP;21Kohm,1%,1/10W,TP,1608	2	SA
...4		2007-008134	R-CHIP;12.4Kohm,1%,1/16W,TP,1005	5	SC
...4		2007-008167	R-CHIP;120Kohm,1%,1/16W,TP,1005	1	SC
...4		2007-008263	R-CHIP;3Kohm,1%,1/16W,TP,1005	3	SA
...4		2007-008294	R-CHIP;33ohm,1%,1/16W,TP,1005	6	SA
...4		2011-001449	R-NETWORK;22ohm,5%,1/16W,L,4P,TP,1.0x1.0	4	SA
...4	AD480	2203-000359	C-CER,CHIP;0.15nF,5%,50V,C0G,TP,1005,0.5	3	SNA
...4	AD480	2203-000425	C-CER,CHIP;0.018nF,5%,50V,C0G,TP,1005	2	SA
...4	AD480	2203-000585	C-CER,CHIP;0.22nF,10%,50V,X7R,TP,1005	1	SA
...4	AD480	2203-000812	C-CER,CHIP;0.033nF,5%,50V,C0G,TP,1005	6	SA
...4	AD480	2203-000940	C-CER,CHIP;0.47nF,10%,50V,X7R,TP,1005	1	SA
...4	AD480	2203-002285	C-CER,CHIP;10nF,10%,50V,X7R,TP,1005	4	SNA
...4	AD480	2203-005083	C-CER,CHIP;220nF,10%,50V,X7R,TP,1608,T0.	4	SA
...4	AD480	2203-005344	C-CER,CHIP;22nF,10%,25V,X7R,TP,1005,0.5T	2	SNA
...4	AD480	2203-006158	C-CER,CHIP;100nF,10%,16V,X7R,TP,1005,T0.	276	SNA
...4	AD480	2203-006324	C-CER,CHIP;2200nF,10%,10V,X5R,TP,1608	16	SA
...4	AD480	2203-006562	C-CER,CHIP;1000nF,10%,10V,X5R,TP,1005	63	SNA

Level	Loc.	Part Code	Description & Specification	Qty.	SA/SNA
...4	AD480	2203-006824	C-CER,CHIP;4700nF,10%,10V,X5R,TP,1608	3	SNA
...4	AD480	2203-007270	C-CER,CHIP;10000nF,10%,10V,X5R,TP,1608,0	8	SNA
...4	AD480	2203-007544	C-CER,CHIP;100nF,10%,50V,X7R,TP,1005,T0.	47	SA
...4		2703-000213	INDUCTOR-SMD;470nH,10%,1.35Ohm,35mA,15,M	1	SA
...4		2703-002269	INDUCTOR-SMD;56nH,5%,1005,T0.5,1.4Ohm,15	7	SA
...4		2703-004868	INDUCTOR-SMD;6.8uH,20%,5050,T4,0.043Ohm,	2	SA
...4		2703-005191	INDUCTOR-SMD;1.5uH,20%,6060,T4.5,0.02Ohm	2	SA
...4		2703-005193	INDUCTOR-SMD;2.2uH,20%,6060,T4.5,0.024Oh	4	SA
...4		2703-005194	INDUCTOR-SMD;3.3uH,20%,6060,T4.5,0.03Ohm	2	SA
...4		2801-005372	CRYSTAL-SMD;24.576MHz,20ppm,HCX-3SB,12 p	1	SA
...4		3601-001374	FUSE-SURFACE MOUNT;32V,5A,FAST-ACTING,PL	8	SA
...4		3701-001967	CONNECTOR-HDMI;19P,A,FEMALE,AU,0.5mm,BLK	4	SA
...4		3707-001104	CONNECTOR-OPTICAL;ANGLE,SPDIF	1	SA
...4		3710-004144	CONNECTOR-SOCKET;44P,1R,0.5mm,SMD-A,AU,B	2	SA
...4		3722-003457	JACK-USB;4P/1C,NI,BLK,ANGLE,A,2.0,13.1x1	3	SA
...4		BN40-00324A	TUNER-DTV AIR CABLE SAT;DNNTT243H6A,DNNTT2	1	SA
...4		BN41-02510A	PCB-OCM;KS8000/KS9000,FR-4,4L,1.2T,199x6	1	SNA
.2	T001A	BN96-40188F	ASSY COVER P-TOP;55KS9000,PC+ABS,V-0,BK0	1	SNA
..3		6902-001408	BAG PE;HDPE/PE FOAM,T0.015/T0.5,W120,L25	1	SNA
..3		BN63-07272J	SHEET-PROTECTION COVER;OCM+,PE,W205,L100	0	SNA
..3	T001	BN63-15073F	COVER-TOP;OCM PLUS,PC+ABS,MOLD,V-0,BLACK	1	SNA
...4		0103-005041	RESIN PC ABS;FR3200TV,901408,BK0008,1.2m	100	SNA
1		BN92-20050A	ASSY P/MATERIAL;UK8V,65"	1	SNA
.2		6902-001954	BAG ROLL;HDPE/PE FOAM,HDPE T0.018mm,T0.2	3	SNA
.2		6902-002233	BAG AIR;LDPE,-,T0.2,W900,L1850,TRP,-,-,-	1	SNA
.2		6922-000003	BAND;PP,T0.8,W18,L1650M,TRP,DA69-90145A	1	SNA
.2		BN02-00319B	TAPE-SINGLE FACE;OPP,T0.05,W75,L800M,CLE	3	SNA
.2		BN68-02422B	LABEL WARNING;ALL,ART PAPER,T0.05,W240,L	1	SNA
.2		BN69-03982J	PACKING ANGLE;ALL,PAPER,-,-,-,-,-,-	1	SNA
.2		BN69-05418M	WRAP;T0.017,500,2000000,2000000,500	0	SNA
.2		BN69-06640E	PAD-PACKING;TRUCK PAD,CB,-,,W410,L2500,,	1	SNA
.2		BN69-06642B	PAD-DP SHEET;PAD,CB,SW4,,W1500,L1100,,,	1	SNA
.2		BN69-13081A	CUSHION-SET;65KS8000,EPS,16.7g/l,WHT	1	SNA
.2		BN69-13082A	CUSHION-SET SIDE;65KS8000,EPS,16.7g/l,WH	1	SNA
..3		0103-005099	RESIN EPS;BASF303,Natural,Natural	1026	SNA
.2		BN69-13147K	PALLET-WOODEN;65" KS8000,WOOD,-,W1120,L1	1	SNA
.2		BN69-13751B	PAD-CUSHION FRONT;65KU6400,CB,DW2+EPS,W7	1	SNA
1		BN92-20062B	ASSY BOX;UK8V,65"	1	SNA
.2		BH68-00662A	LABEL BOX;ALL,ART PAPER,W60,L110,WHT,NO	1	SNA
.2		BN69-13435C	BOX UNIT;65KS8000,CB,DW4,F1,L1550,W145,H	1	SNA

Exploded Views and Parts List

Level	Loc.	Part Code	Description & Specification	Qty.	SA/SNA
1		BN92-20071E	ASSY LABEL;UK8V	1	SNA
.2		0203-001598	TAPE-SINGLE FACE;FILAMENT,#8915,T0.15,W1	0	SNA
.2		BN68-06708G	LABEL-RATING;Monitor,WW,PP,T0.161,W93,L7	1	SNA
.2		BN68-07519B	LABEL-ENERGY;ALL JORDAN,WW,PP,T0.135,W60	1	SNA
.2		BN68-07858A	LEAFLET-QUICK SETUP GUIDE;KS8000,EU,W/P,	1	SNA
1	ACCE1	BN92-20076E	ASSY ACCESSORY;UK8V	1	SNA
.2	ACCE4	BN96-39426E	ASSY ACCESSORY-MANUAL;UE65KS8000TXZF	1	SNA
...3		6902-001964	BAG PE;LDPE,BIOBASED,T0.03,W200,L300,TRP	1	SNA
...3		BN68-00514L	LEAFLET-WARRANTY;TV,W.EUR,W/P,W630,L297,	1	SNA
...3		BN68-04972E	LEAFLET-REGULATORY GUIDE;ALL,SAMSUNG,W/W	1	SNA
...3		BN68-07598A	LEAFLET-FICHE;ALL,W/P,0	1	SNA
...3		BN68-07862M	MANUAL USERS;KS8000,ZF,W/P,EURO B5	1	SNA
...3		BN68-08099A	LEAFLET;JAZZ-M,EUROPE,W/P,W176,L250,4COL	1	SNA
.2	ACCE2	BN96-39427L	ASSY ACCESSORY-CABLE;UE55KS8000TXZF	1	SNA
...3	T0268	3903-001118	CBF-POWER CORD;DT,EU,Angle,2P(C7),250V,2	1	SA
...3		4301-000101	BATTERY-ALKALINE;1.5V,1650mAh,LR6,14.5x5	2	SNA
...3		4301-000121	BATTERY-MN;1.5V,R03,10.5x44.5m,7.5g,AAA	2	SNA
...3		BN59-01242A	REMOCON-SMART CONTROL;2016 TV,Samsung,14	1	SA
...3		BN59-01247A	REMOCON-TV;2016 TV,Samsung,44KEY,3V,KU60	1	SA
...3	AH089	BN61-14021A	HOLDER-CABLE;55KS8000,PA66,MOLD,BK0007,V	2	SNA
...3	M9889	BN63-01798B	CLOTH-CLEAN;CLOTH,SEA BLUE,ToC	1	SA
...3	AH089	BN65-00017A	HOLDER-CABLE;PA66,PA66,MOLD,BLACK,V-2	1	SNA
...3	T0527	BN68-00513A	LABEL-E PASS;ALL MODEL,WW,YUPO,W50,L15,W	3	SNA
...3		BN68-08097A	LEAFLET;JAZZ-M,EUROPE,W/P,W200,L250,00,4	1	SNA
...3		BN68-08112A	LABEL-SECURITY;ALL,PET,T0.05,W55,L52,GLO	1	SNA
...3		BN69-13918A	BAG ACCESSORY;LDPE,T0.07,L350,W500,TRP,B	1	SNA
...3		BN96-40150A	ASSY HOLDER P-CABLE;65KS9000,ABS,SILVER,	1	SNA
...4		BN61-04692A	ADHESIVE-AA;SHEET,CLEAR,C043	4	SNA
...4		BN61-05704A	TAPE-DOUBLE FACE;ACRYL,T1.1,W8,L30M,GRAY	0	SNA
...4	AH089	BN61-13456A	HOLDER-CABLE;55KS9000,ABS,MOLD,SILVER,HB	1	SNA
...3		BN96-40492A	ASSY ACCESSORY-WALL MOUNT;55KS8000,WORLD	1	SNA
...4		6902-001404	BAG PE;LDPE,T0.05,W80,L100,TRP,Bio. N	1	SNA
...4		BN61-13577A	STUD-PEM;55KS8000,SUM24L,W6,L24,PRESS,CR	2	SA
.2	FC05A	BN96-40491A	ASSY COVER P-TERMINAL;55KS8000,PC+ABS+ED	1	SA
...3		6902-000294	BAG PE;LDPE,T0.05,W160,L250,TRP,Hole Y,B	1	SNA
...3		BN63-15206A	COVER-TERMINAL;55KS8000,PC+ABS+ED20%,MOL	1	SNA
1	PANEL	BN95-02603B	PRODUCT LCD-SDC;CY-QK065FLLV4V/H,KS8000,	1	SA
.2	SCREW	6001-002759	SCREW-MACHINE;CH,+,M3,L4,ZPC(BLK),SWRCH1	8	SA
.2	M0131	BN63-00520A	GASKET-EMI;APPOLO_PAL,Conductive Fabric,	2	SNA
.2		BN68-05722A	LABEL-E PASS;POLYPROPYLENE,NON-COATING	1	SNA

Level	Loc.	Part Code	Description & Specification	Qty.	SA/SNA
.2		BN90-08170A	ASSY BACK LIGHT UNIT;Y16,LCM	1	SNA
..3		6001-002912	SCREW-MACHINE;CH,+,M3,L3,ZPC(BLK),SWRCH1	14	SA
..3		BN61-13648A	OPTICAL SHEET-DBEF;16Y_KS9000_65INCH_DBE	1	SNA
..3		BN61-13649A	OPTICAL SHEET-HIGH COLOR;16Y_KS9000_65IN	1	SNA
..3		BN61-13650A	OPTICAL SHEET-COMPLEX;16Y_KS9000_65INCH_	1	SNA
..3		BN61-13651A	OPTICAL SHEET-REFLECTOR;16Y_KS9000_65INC	1	SNA
..3		BN61-13690A	LGP;16Y_KS9000_65INCH_LGP,MS,MS Lenti (V	1	SNA
..3		BN61-14078A	HOLDER-LGP;55KS8000,PC,MOLD,WT0044,V-2	1	SNA
..3		BN96-39350B	ASSY LED BAR P;65inch_SDC_L,ALUMINUM	1	SNA
..3		BN96-39351B	ASSY LED BAR P;65inch_SDC_R,ALUMINUM	1	SNA
..3		BN96-39578A	ASSY CHASSIS REAR P;65KS8000,EGI-SECC,SD	1	SNA
...4		0201-002972	ADHESIVE-STRL;JS9000,YELLOW,HF-8000R	0	SNA
...4		0203-007003	TAPE-DOUBLE FACE;ACRYL,T0.4,W16,L30M,GRA	6	SNA
...4	SCREW	6001-002759	SCREW-MACHINE;CH,+,M3,L4,ZPC(BLK),SWRCH1	4	SA
...4	SCREW	6003-000115	SCREW-TAPTYPE;BH,+,B,M3,L6,ZPC(BLK),SWRC	10	SA
...4	SCREW	6003-001001	SCREW-TAPTYPE;FH,+,-,B,M3,L8,ZPC(BLK),SW	6	SA
...4		6041-001068	RIVET-PH;6SR000032004301_Cr3+WH,SWRCH10A	22	SNA
...4		BN02-00102B	TAPE-SINGLE FACE;FILAMENT,#8917,T0.15,W2	0	SNA
...4		BN02-00493A	TAPE SINGLE FACE;55KS9000,PET,T0.05,W5,L	9	SNA
...4		BN02-00509A	TAPE DOUBLE FACE;55KS7000,FELT,T0.15,W3,	2	SNA
...4		BN02-00509B	TAPE DOUBLE FACE;55KS7000,FELT,T0.15,W3,	2	SNA
...4		BN39-02173A	LEAD CONNECTOR-BLU;65 KS800,UL21016,26P,	1	SNA
...4		BN60-01416A	SPACER-FOAM;55KS7500,PU FOAM,L70,BLACK,T	5	SNA
...4		BN61-08235A	HOLDER-LGP;SNB,SWRCH10A,EXTRUSION,BLACK,	2	SNA
...4		BN61-08235F	HOLDER-LGP;55KS7500,SWRCH10A,EXTRUSION,S	2	SNA
...4	CB20	BN61-08936C	BRACKET-WALL;HGI-SGHC,T2,BLACK,BLACK ED-	2	SNA
...4	CB20	BN61-13221A	BRACKET-WALL;55KS8000,EGI-SECC,T1.2,NATU	2	SNA
...4		BN61-13244A	BRACKET-LED PCB;55KS8000,Al,T1.5,NATURAL	2	SNA
...4		BN61-13307A	BRACKET-CLIP;55KS8500,SK5,T0.2	11	SNA
...4		BN61-13327A	HOLDER-SHEET;55KS7500,ABS,MOLD,BK0007,HB	5	SNA
...4		BN61-13330A	FRAME-CHASSIS REAR;55KS8000,EGI-SECC,PRE	1	SNA
...4	CB18	BN61-13331B	BRACKET-STAND LINK;55KS8000,EGI-SECC,T2,	1	SNA
....5		BN61-13631A	STUD-PEM;55KS8000,SUM24L,T0.85,W4,L11.2,	3	SNA
...4		BN61-13557B	BRACKET-WIRE;55KS7000,SW-C,T1,232,SILVER	2	SA
...4		BN61-13781A	HOLDER-LGP LEFT;55KS7500,TPV,MOLD,BK0008	1	SNA
...4		BN61-13782A	HOLDER-LGP RIGHT;55KS7500,TPV,MOLD,BK000	1	SNA
...4	AH358	BN61-13908A	HOLDER-REAR;55KS9000,ABS,MOLD,BK0007,HB	4	SA
...4		BN62-00810A	HEAT SINK-HEAT PIPE MODULE;KS8000,Al,T1.	4	SNA
...4		BN62-00811A	HEAT SINK-HEAT PIPE MODULE;KS8000,Al,T1.	4	SNA
...4		BN63-15068A	COVER-REAR TOP;65KS8000,PC+ABS+ED20%,MOL	1	SNA

Exploded Views and Parts List

Level	Loc.	Part Code	Description & Specification	Qty.	SA/SNA
...5		0103-010818	RESIN PC ABS;CM20G/BK00749,BLACK,BK0007,	2775	SNA
...5		BN74-00053E	TAPE-SINGLE FACE;PAPER,3M2307,T0.14,W20,	1	SNA
...4		BN63-15280A	INSULATOR-SMPS;65KS9000,PC,BLACK,L435,W2	1	SNA
...4		BN63-15365A	INSULATOR-SOURCE PCB LEFT;65KS7000,PET,B	1	SNA
...4		BN63-15366A	INSULATOR-SOURCE PCB RIGHT;65KS7000,PET,	1	SNA
...4		BN63-15616C	SHEET-PROTECTION COVER;65KS8000,PE,T0.05	1	SNA
...4	CC04	BN64-03351A	CHASSIS-REAR;65KS8000,EGI-SECC,T1,NATURA	1	SNA
...5		BN01-00358A	STEEL;KS8000,EGI-SECC,1,870,AG	11	SNA
...4		BN74-00053G	TAPE-SINGLE FACE;PAPER,3M2307,T0.14,W10,	1	SNA
...4		BN96-39950A	ASSY FRAME P-CHASSIS REAR;65KS8000,EGI-S	1	SNA
...5		BN61-13336A	FRAME-CHASSIS REAR;65KS8000,EGI-SECC,PRE	1	SNA
...3		BN96-39588A	ASSY FRAME P-MIDDLE BOTTOM;65KS8000,PC+G	1	SNA
...4		BN60-01175F	SPACER-SILICONE;65KS9000,Si,L713,GRAY,T0	2	SNA
...4		BN60-01356D	SPACER-FOAM;65KS8000,PU FOAM,L710,WHITE/	2	SNA
...4		BN61-13290A	FRAME-MIDDLE BOTTOM;65KS8000,PC+GF10%,V-	1	SNA
.2		BN96-39216A	ASSY OPEN CELL;LSF650FJ12-L,16:9,0.4T	1	SNA
...3		BN81-07435A	A/S-ADHESIVE ACF;LSJ320AP04-E,0201-00234	1	SNA
...3		BN81-07943A	A/S-ADHESIVE ACF;LSF320AN01-A,0201-00237	1	SNA
...3		BN81-12870A	A/S-POLARIZER TFT;POLARIZER TFT,LJ01-107	1	SNA
...3		BN81-12871A	A/S-POLARIZER C/F;POLARIZER C/F,S010-122	1	SNA
...3		BN81-12872A	A/S-IC DRIVER SOURCE;IC DRIVER SOURCE,LJ	1	SNA
...3		BN81-12932A	A/S-SOURCE PCB FRONT RIGHT;SOURCE PCB FR	1	SNA
...3		BN81-12933A	A/S-SOURCE PCB FRONT LEFT;SOURCE PCB FRO	1	SNA
...3		BN81-12934A	A/S-SOURCE PCB BACK LEFT;SOURCE PCB BACK	1	SNA
...3		BN81-12935A	A/S-SOURCE PCB BACK RIGHT;SOURCE PCB BAC	1	SNA
.2		BN96-39566A	ASSY COVER P-DECORATION;PC+ABS+MF17%,V1,	1	SA
...3	SCREW	6003-001881	SCREW-TAPTYPE;CH,+,M2,L3,ZPC(BLK),SWRCH1	8	SA
...3		BN02-00492C	TAPE SINGLE FACE;65KS8000,PET,T0.2,W4,L1	1	SNA
...3		BN60-01427B	SPACER-FOAM;55KS8000,PU FOAM,L13,GRAY,T2	2	SNA
...3		BN61-07463A	TAPE-DOUBLE FACE;ACRYL,T0.25,W4,CLEAR	1	SNA
...3		BN63-14373B	SHEET-PROTECTION COVER;LED_J6000,PO,T0.0	1	SNA
...3		BN63-15309A	COVER-DECORATION TOP;65KS8000,STS304,T0.	1	SNA
...3		BN63-15327A	COVER-DECORATION RIGHT;65KS8000,PC+ABS+M	1	SNA
...3		BN63-15331A	COVER-DECORATION LEFT;65KS8000,PC+ABS+MF	1	SNA
...3		BN74-00053G	TAPE-SINGLE FACE;PAPER,3M2307,T0.14,W10,	0	SNA
...3		BN96-39801A	ASSY BLU P-DECO;KS8000,M16-KS8000,L44.4,	1	SNA
.2		BN96-39575A	ASSY COVER P-SOURCE PCB LEFT;65KS8000,EG	1	SNA
...3		BN63-15315A	INSULATOR-SOURCE PCB LEFT;65KS8000,PET,B	1	SNA
...3		BN63-15649A	COVER-SOURCE PCB LEFT;65KS800,EGI-SECC,T	1	SNA
.2		BN96-39576A	ASSY COVER P-SOURCE PCB RIGHT;65KS8000,E	1	SNA

Level	Loc.	Part Code	Description & Specification	Qty.	SA/SNA
..3		BN63-15314A	INSULATOR-SOURCE PCB RIGHT;65KS8000,PET,	1	SNA
..3		BN63-15648A	COVER-SOURCE PCB RIGHT;65KS800,EGI-SECC,	1	SNA
.2		BN96-39583A	ASSY CHASSIS FRONT P;65KS8000,AL,SILVER,	1	SNA
..3		BN02-00467A	TAPE SINGLE FACE;KS9000,PET,T0.05,W10,L1	4	SNA
..3		BN02-00486A	TAPE-DOUBLE FACE;PU FOAM,T0.5,W3.2,L33M,	3	SNA
..3		BN02-00488D	TAPE SINGLE FACE;65KS7500,PET,T0.1,W3.3,	2	SNA
..3		BN02-00489A	TAPE SINGLE FACE;55KS7500,PET,T0.22,W3,L	3	SNA
..3		BN02-00493A	TAPE SINGLE FACE;55KS9000,PET,T0.05,W5,L	5	SNA
..3		BN60-01417A	SPACER-FOAM;55KS7000,PU FOAM,L50M,BLACK,	3	SNA
..3		BN63-15453A	SHEET-PROTECTION COVER;55KS7000,PO,T0.05	3	SNA
..3	AC155	BN64-03348A	CHASSIS-FRONT;65KS8000,Al,-,EXTRUSION,SI	1	SNA