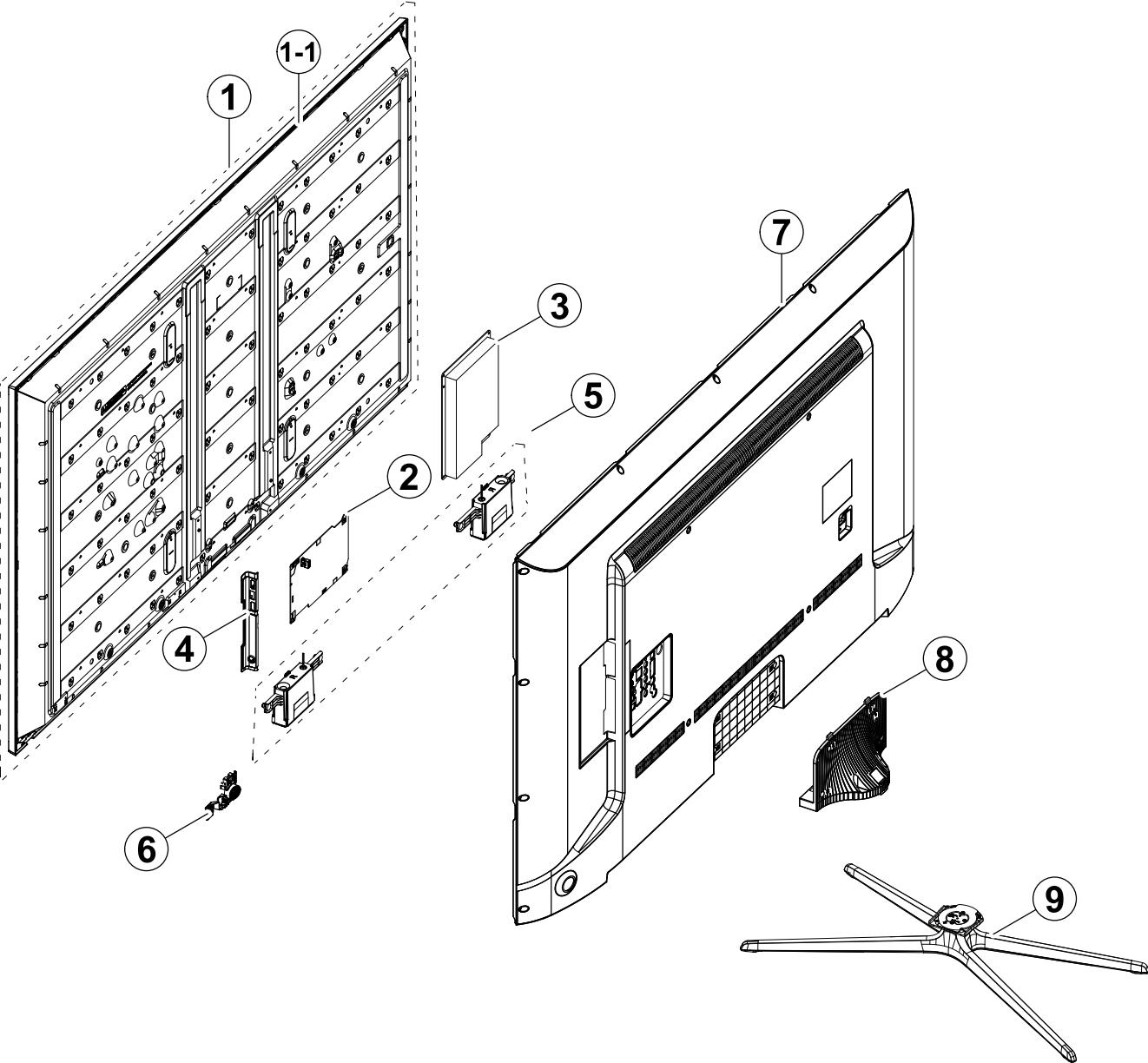


# 1. Exploded View & Part List

## Exploded View



**Parts List**

No.	Lvl.	Loc.	Material Code	Description & Specification	SNA	Qty.
1	2	PANEL	BN95-01724A	PRODUCT LCD-INX; v580HJ1,CY-HH058BGNV1H/V	SA	1
1-1	3	TC01A	BN96-33358A	ASSY CHASSIS TOP P; Y14 F-LED 58,PC+ABS+G	SA	1
2	2	M0014	BN94-07814L	ASSY PCB MAIN; UH5F	SA	1
3	2	P001A	BN44-00787A	DC VSS-LED TV PD BD; L58GFB_ESM,L58GFB_ES	SA	1
4	3		BN61-09059A	HOLDER-SIDE AV; UF6100,HIPS,BK0020,HB,EO/	SNA	1
5	2		BN96-32113D	ASSY SPEAKER P-HU5900; 6ohm,10W,HU5900 55	SA	1
6	2	FB01A	BN96-30902V	ASSY BOARD P-FUNCTION; UH5200,Function As	SA	1
7	2	R001A	BN96-33644B	ASSY COVER P-REAR; H5200 58",PC+ABS,V0,BL	SA	1
8	2	SG01A	BN96-33524A	ASSY GUIDE P-STAND; UH5200 58,PC+G/F20%,B	SA	1
9	2	SB04A	BN96-30031E	ASSY STAND P-BASE; UF6K 60,ABS+PC,BLACK	SA	1

## 2. Electrical Parts List

Level	Loc.	Part Code	Description & Specification	Qty.	SA/SNA
			<b>UE58J5000AWXZF (IS01)</b>		
1	R001A	BN90-06019A	ASSY COVER REAR;HU5000	1	SNA
.2	SCREW	6001-003074	SCREW-MACHINE;BH,+,M3,L6,ZPC(BLK),SWRCH1	4	SA
.2	SCREW	6003-001782	SCREW-TAPTYPE;BH,+,B,M4,L12,ZPC(BLK),SWR	15	SA
.2	R001A	BN96-33644B	ASSY COVER P-REAR;H5200 58",PC+ABS,V0,BL	1	SA
..3	R001	BN63-12619B	COVER-REAR;H5200 58",ABS+PC,V0,BLK,EO	1	SNA
...4		0103-010488	RESIN PC ABS;NH-1055 K21441,Black,BK0008	3750	SNA
..3		BN68-05650C	LABEL-TERMINAL SIDE;UH5K,PET,T0.125,W14.	1	SNA
1		BN90-07095R	ASSY W/I;J6K	1	SNA
.2		BN81-08159Z	PART SET-ELEC W/I;UF**,UH**,UG**,ELEC	1	SNA
.2		BN81-11282M	A/S PART SET-MECH W/I;UJ5A,U58HF*	1	SNA
1	S001A	BN90-07340H	ASSY STAND;J5200/J5000	1	SNA
.2	SB04A	BN96-30031E	ASSY STAND P-BASE;UF6K 60,ABS+PC,BLACK	1	SA
..3	SCREW	6002-001294	SCREW-TAPPING;BH,+,M4,L16,ZPC(BLK)	4	SA
..3	SCREW	6003-001425	SCREW-TAPTYPE;BH,+,B,M4,L25,ZPC(BLK),SWR	4	SNA
..3	SCREW	6003-001785	SCREW-TAPTYPE;FH,+,B,M4,L8,ZPC(BLK),SWRC	4	SA
..3	SCREW	6003-001832	SCREW-TAPTYPE;FH,+,B,M4,L30,ZPC(BLK),SWR	1	SNA
..3		BN61-07165B	HOLDER-SWIVEL, TOP;60" QUAD STAND,ACETAL,	1	SNA
..3		BN61-08737A	HOLDER-SWIVEL,BOTTOM;46-55 SLIM QUAD STA	1	SNA
...4		0103-009825	RESIN POM;TS-25A,Dark Gray,GY0199,HB	6	SNA
..3		BN61-08738A	HOLDER-STAND,NECK;46-55 SLIM QUAD STAND,	1	SNA
..3		BN61-08739A	BRACKET-STAND, TOP;46-55 SLIM QUAD STAND,	1	SNA
..3		BN61-08740A	BRACKET-STAND,BOTTOM;46-55 SLIM QUAD STA	1	SNA
..3		BN61-09955A	BRACKET-SWIVEL, TOP;UF6400 60 QUAD,SPCC,	1	SNA
..3		BN61-09957A	BRACKET-SWIVEL,BOTTOM;UF6400 60 QUAD,SPC	1	SNA
...4		BN61-02428Q	STUD-PEM;M4,D7,L9.3,PNA,ZPC(SIL),SUM24L	4	SNA
..3	AS080	BN63-05135E	SHEET-COVER;4-LEG,PE,T0.05,W60mm,Cr-plat	2	SNA
..3		BN63-10161A	COVER-STAND,BASE;46-55 SLIM QUAD STAND,A	1	SNA
..3		BN63-10199A	COVER-STAND TOP;46-55 SLIM QUAD STAND,AB	1	SNA
...4		0103-005041	RESIN PC ABS;FR3200TV,901408,BK0008,1.2m	180	SNA
..3		BN67-00385D	RUBBER-FOOT;RUBBER-FOOT,SILICONE,ROUND,1	4	SNA
.2	SG01A	BN96-33524A	ASSY GUIDE P-STAND;UH5200 58,PC+G/F20%,B	1	SA
..3	SG03	BN61-10894A	GUIDE-STAND;UH5200 58",PC+GF20%,BK0007,V	1	SNA
...4		0103-007285	RESIN PC;HF3200H,K21294,BK0007,V2	1.5mm	300
...4		BN68-00513D	LABEL-RESIN;resin,-,art paper,-,10,25,-,	1	SNA
..3		BN68-05603A	LABEL-E,PASS;ALL MODEL,ART PAPER 90G,60,	1	SNA
..3		BN69-08751A	WRAP VINYL-SHRINK;STAND,PLASTIC OTHERS,P	0	SNA
..3		BN96-29120C	ASSY ACCESSORY-SCREW;6003-001782,8EA,LED	1	SNA

## Exploded Views and Parts List

Level	Loc.	Part Code	Description & Specification	Qty.	SA/SNA
...4	SCREW	6003-001782	SCREW-TAPTYPE;BH,+,B,M4,L12,ZPC(BLK),SWR	8	SA
...4		BN69-09241C	BAG SCREW;LDPE,0.05,70,90,TRP,Vinyl pack	1	SNA
1		BN91-12976A	ASSY LCM-AMLCD;BN95-01724A,CY-HH058BGNV1	1	SNA
.2	PANEL	BN95-01724A	PRODUCT LCD-INX;v580HJ1,CY-HH058BGNV1H/V	1	SA
...3	SCREW	6001-003075	SCREW-MACHINE;BH,+,M3,L4,ZPC(WHT),SWRCH1	6	SA
...3		BN61-07962B	BRACKET-STNAD LINK;UE6030 55",SECC,T1.6,	1	SA
...3	M0131	BN63-00520A	GASKET;APPOLO_PAL,Conductive Fabric,0.13	8	SNA
...3		BN68-05722A	LABEL-STICKER;ALL MODEL,POLYPROPYLENE,0.	1	SNA
...3		BN90-05987A	ASSY MISC-BLU;MEGA MODEL,CY-HH058BGNV1V	1	SNA
...4		BN02-00102B	TAPE-FILAMENT;#8917,0.15,25,50,WHITE	3	SNA
...4		BN02-00152E	TAPE ETC-SHEET FIXING;Y13 SF-LED,PET,0.0	4	SNA
...4		BN61-07891A	SUPPORT-PLATE;Y12 FULL LED,PC,V2,CLEAR	9	SNA
...4		BN61-10791A	LGP-DIFFUSER PLATE;58inch Mega, Diffuse	1	SNA
...4		BN62-00635A	INSULATION-SOURCE PCB R;Y14 58",PC,0.25,	1	SNA
...4		BN62-00635B	INSULATION-SOURCE PCB L;Y14 58",PC,0.25,	1	SNA
...4		BN63-12638A	SHEET-COMPLEX;MEGA 58inch G230-54,PET,0.	1	SNA
...4		BN63-12640A	SHEET-REFLECTOR;MEGA 58inch UXJP175,PET,	1	SNA
...4		BN96-32771A	ASSY LED BAR P;58inch Left,Direct LED PK	6	SNA
...4		BN96-32772A	ASSY LED BAR P;58inch Right,Direct LED P	6	SNA
...4		BN96-33354A	ASSY CHASSIS BOTTOM P;Y14 F-LED 58,MEGA,	1	SNA
....5		AK63-00675A	GASKET;BD-C7500,Conductive Fabric,2mm,5m	4	SNA
....5		BN02-00040C	TAPE DOUBLE FACE-D-PLATE;F-LED ALL,MKT50	2	SNA
....5		BN02-00074D	TAPE PET;58H5200,PET,T0.05,W40,L40,BLK,3	4	SNA
....5		BN02-00102B	TAPE-FILAMENT;#8917,0.15,25,50,WHITE	1	SNA
....5		BN02-00134E	TAPE ETC-SHEET FIXING;SFLED 32/40/46/55/	6	SNA
....5		BN02-00324A	TAPE-METAL FOIL;Y14 4K,T0.085,W25,NTR,3M	0	SNA
....5	EC13	BN39-01910A	LEAD CONNECTOR;58inch Mega,Lead Connecto	1	SNA
....5		BN61-11027A	HOLDER-SOURCE PCB;H4.2K 58",NYLON66,1.8T	4	SNA
....5		BN62-00501M	INSULATION-PD BOARD 58;Y14 H4.2K 58,PC,0	1	SNA
....5	CC02	BN64-02743A	CHASSIS-BOTTOM;Y14 F-LED 58",EGI-SECC AG	1	SNA
....5		BN74-00053J	TAPE PAPER-PROTECTION;-3M2307,PAPER,-,0	1	SNA
...4		BN96-33355A	ASSY FRAME P-MOLD MIDDLE U;Y14 F-LED 58,	1	SNA
....5		BN61-10803A	FRAME-MOLD MIDDLE U;Y14 F-LED 58",PC+G/F	1	SNA
...4		BN96-33356A	ASSY FRAME P-MOLD MIDDLE D;Y14 F-LED 58,	1	SNA
....5		BN60-00744A	SPACER-RUBBER;Y13 F-LED SLIM,SH-0140U+AT	1	SNA
....5		BN60-00999E	SPACER-PANEL(UD);14 ENTRY MODEL 58",SI,6	2	SNA
....5		BN61-10804A	FRAME-MOLD MIDDLE D;Y14 F-LED 58",PC+G/F	1	SNA
...4		BN96-33357A	ASSY FRAME P-MOLD MIDDLE LR;Y14 F-LED 58	2	SNA
....5		BN60-00999F	SPACER-PANEL(LR);14 ENTRY MODEL 58" & quot	2	SNA
....5		BN61-10805A	FRAME-MOLD MIDDLE LR;Y14 F-LED 58",PC+G/	2	SNA

Level	Loc.	Part Code	Description & Specification	Qty.	SA/SNA
..3	FL06	BN96-30782D	ASSY CABLE P-FFC;H7000,FFC,NH,68mm 1,60	2	SNA
..3		BN96-32743A	ASSY OPEN CELL;V580HJ1-PD6,CY-HH058BGNV1	1	SNA
...4		BN81-10743A	A/S-A/S-IC DRIVER SOURCE;INX 58 FHD 60Hz	1	SNA
...4		BN81-10744A	A/S-A/S-IC DRIVER GATE;INX 58 FHD 60Hz,6	1	SNA
...4		BN81-10745A	A/S-A/S-ASSY PCB-SOURCE (XR);INX 58 FHD	1	SNA
...4		BN81-10746A	A/S-A/S-ASSY PCB-SOURCE (XL);INX 58 FHD	1	SNA
...4		BN81-10747A	A/S-A/S-POLARIZER-C/F;INX 58 FHD 60Hz,41	1	SNA
...4		BN81-10748A	A/S-A/S-POLARIZER-TFT;INX 58 FHD 60Hz,41	1	SNA
..3	TCON	BN96-32745A	ASSY T CON P;V580HJ1-PE6,V580HJ1-PE6,10b	1	SA
..3	TC01A	BN96-33358A	ASSY CHASSIS TOP P;Y14 F-LED 58,PC+ABS+G	1	SA
...4		BN60-00667K	SPACER-GASKET;Y13 SF-LED,SI,L22,GRY,T0.2	3	SNA
...4		BN60-00930Z	SPACER-TOP(UD);Y14 VNB 58",PET,L1280,GOL	2	SNA
...4		BN60-01010A	SPACER-CORNER;H4203,GASKET*,9mm,BLK,0.2T	4	SNA
...4		BN60-01071A	SPACER-TOP(LR);Y14 VNB 58",PET,L727,GOLD	2	SNA
...4		BN63-11875Q	SHEET-COVER;Y14 SF-LED,POLY*,0.068,W37,R	1	SNA
...4		BN63-11875S	SHEET-COVER;Y14 SF-LED,POLYESTER,0.068,W	3	SNA
...4	AC157	BN64-02744A	CHASSIS-TOP;Y14 F-LED 58",PC+ABS+G/F15%,	1	SNA
1		BN91-15243P	ASSY SHIELD;UHD 6K	1	SNA
.2	SCREW	6001-003081	SCREW-MACHINE;PWH,+,M3,L5,ZPC(WHT),SWRCH	12	SA
.2		BN02-00102B	TAPE-FILAMENT;#8917,0.15,25,50,WHITE	0	SNA
.2	EC13	BN39-01885H	LEAD CONNECTOR;UN48H5200AF,Flat Connecto	1	SA
.2	M-F	BN39-01935A	LEAD CONNECTOR-FUNCTION;UN58H5200,Lead C	1	SA
.2	P001A	BN44-00787A	DC VSS-LED TV PD BD;L58GFB_ESM,L58GFB_ES	1	SA
.2	CB20	BN61-07953A	BRACKET-WALL;UE5000 46",EGI-SECC PL,T1.2	4	SA
.2	M0131	BN63-00520A	GASKET;APPOLO_PAL,Conductive Fabric,0.13	1	SNA
.2	FB01A	BN96-30902V	ASSY BOARD P-FUNCTION;UH5200,Function As	1	SA
.2		BN96-32113D	ASSY SPEAKER P-HU5900;6ohm,10W,HU5900 55	1	SA
.2	FL06	BN96-33236E	ASSY CABLE P-FFC;UN58H5200,FFC,NH,650mm,	1	SA
1	M0017	BN91-16918R	ASSY CHASSIS;LED TV	1	SNA
.2	M0014	BN94-07814L	ASSY PCB MAIN;UH5F	1	SA
..3		BN61-09059A	HOLDER-SIDE AV;UF6100,HIPS,BK0020,HB,EO/	1	SNA
...4		0103-004628	RESIN HIPS;HF-1690H,K2901,BK0020,1.5mm H	13	SNA
..3		BN67-00364B	RUBBER-FOOT;UE32EH5000,RUBBER,Sillicone,	1	SNA
..3	FB01A	BN97-07120D	ASSY DRM-KEY;NT14L_DRM-KEY(CI+)	1	SNA
...4		BN46-00328B	KEY CODE-CERTIFI;CI+,TV,NT14, EU	1	SNA
..3		BN97-08893A	ASSY SMD;UH5F	1	SNA
...4		0202-001899	SOLDER-CREAM;M705-GRN360-K2-VT,20-38um,S	3	SNA
...4	DS01A	0401-001056	DIODE-SWITCHING;MMBD4148SE,100V,200mA,SO	1	SA
...4	DS01A	0401-001116	DIODE-SWITCHING;BAV99DW,75V,215mA,SOT-36	2	SA
...4		0403-001552	DIODE-ZENER;DDZ16,15.69/16.51V,500mW,SOD	1	SA

Level	Loc.	Part Code	Description & Specification	Qty.	SA/SNA
...4		0403-001783	DIODE-ZENER;BZB84-C6V2,5.8/6.6V,300mW,SO	5	SNA
...4		0403-001784	DIODE-ZENER;NZH7V5C,7.29/7.67V,500mW,SOD	1	SNA
...4		0403-001785	DIODE-ZENER;NZH5V1B,4.94/5.2V,500mW,SOD-	1	SA
...4		0403-001797	DIODE-ZENER;NZH3V0B,2.85/3.15V,500mW,SOD	1	SNA
...4		0404-001404	DIODE-SCHOTTKY;BAT721C,40V,200mA,SOT-23,	2	SA
...4		0406-001200	DIODE-TVS;RCLAMP0504F,6/-/-V,150W,SC-70	1	SA
...4		0406-001628	DIODE-TVS;AOZ8804ADI,6/-/-V,150W,SLP2510	4	SA
...4		0501-000279	TR-SMALL SIGNAL;KSA1182-Y,PNP,150mW,SOT-	1	SA
...4		0501-000445	TR-SMALL SIGNAL;KTC3875S-Y,NPN,150mW,SOT	6	SC
...4		0505-002560	FET-SILICON;AO6415,P,-20V,-3.3A,0.15ohm,	3	SA
...4		0505-003397	FET-SILICON;2N7002K,N,60V,380mA,1.19ohm,	4	SA
...4		0801-002780	IC-CMOS LOGIC;74LVC1G17,SCHMITT-TRIGGER	2	SA
...4		0801-003330	IC-CMOS LOGIC;Octal buffer,DQFN,20P,4.5x	1	SA
...4		1001-001860	IC-ANALOG SWITCH;NX5L2750CGU,QFN,10P,1.4	1	SNA
...4		1103-001531	IC-EEPROM;S-24C256CI-J8T1U4,256Kbit,32Kx	1	SA
...4		1105-002527	IC-DDR3 SDRAM;K4B2G1646Q-BCK0,DDR3,2Gbit	1	SA
...4		1201-003183	IC-AUDIO AMP;DRV612,HTSSOP,14P,5x4.4mm,D	1	SA
...4		1201-003671	IC-AUDIO AMP;NTP7414,MLF,48P,7x7mm,DUAL,	1	SA
...4		1203-004363	IC-VOL. DETECTOR;SOT-23,3Z30,2.9x1.6mm,P	1	SA
...4		1203-006017	IC-VOL. DETECTOR;RT9824GJ8,TSOT23,8P,2.9	1	SA
...4		1203-006130	IC-POSIFIXED REG.;S-1172B25-U5T1G,SOT-8	1	SA
...4		1203-007694	IC-DC/DC CONVERTER;SN1106041DDAR,DDA,8Z3	2	SA
...4		1203-007984	IC-DC/DC CONVERTER;AOZ3015PI,SO-8,8P,6.2	1	SA
...4		1203-008103	IC-POSIFIXED REG.;S-13A1D15-E800,HSOP,8	1	SNA
...4		1203-008104	IC-POSIFIXED REG.;S-13A1D18-E800,HSOP,8	1	SNA
...4		1203-008105	IC-POSIFIXED REG.;S-13A1D33-E800,HSOP,8	1	SNA
...4		1204-003492	IC-DECODER;SENK14,LFBGA,624P,21x21mm,PLA	1	SA
...4		1205-004447	IC-SWITCH;TPS2051CDBVR,SOT23-5,5P,3x1.65	2	SA
...4		1405-001271	VARISTOR;35V,20Vdc,5A,1.0x0.5mm,TP,100V,	19	SA
...4		2007-000137	R-CHIP;2Kohm,5%,1/16W,TP,1005	5	SNA
...4		2007-000138	R-CHIP;100ohm,5%,1/16W,TP,1005	19	SA
...4		2007-000142	R-CHIP;2.7Kohm,5%,1/16W,TP,1005	3	SNA
...4		2007-000143	R-CHIP;4.7Kohm,5%,1/16W,TP,1005	38	SNA
...4		2007-000148	R-CHIP;10Kohm,5%,1/16W,TP,1005	32	SA
...4		2007-000153	R-CHIP;22Kohm,5%,1/16W,TP,1005	9	SNA
...4		2007-000157	R-CHIP;47Kohm,5%,1/16W,TP,1005	6	SNA
...4		2007-000162	R-CHIP;100Kohm,5%,1/16W,TP,1005	6	SNA
...4		2007-000168	R-CHIP;470Kohm,5%,1/16W,TP,1005	3	SNA
...4		2007-000171	R-CHIP;0ohm,5%,1/16W,TP,1005	5	SNA
...4		2007-000172	R-CHIP;10ohm,5%,1/16W,TP,1005	2	SNA

Level	Loc.	Part Code	Description & Specification	Qty.	SA/SNA
...4		2007-000173	R-CHIP;22ohm,5%,1/16W,TP,1005	10	SNA
...4		2007-000174	R-CHIP;47ohm,5%,1/16W,TP,1005	2	SNA
...4		2007-000256	R-CHIP;1.6Kohm,1%,1/10W,TP,1608	1	SA
...4		2007-000475	R-CHIP;1Mohm,1%,1/10W,TP,1608	1	SA
...4		2007-000691	R-CHIP;3.3Mohm,5%,1/10W,TP,1608	1	SA
...4		2007-000695	R-CHIP;3.3ohm,5%,1/10W,TP,1608	4	SNA
...4		2007-000775	R-CHIP;33Kohm,5%,1/16W,TP,1005	2	SNA
...4		2007-000931	R-CHIP;470ohm,5%,1/8W,TP,2012	1	SC
...4		2007-000932	R-CHIP;470ohm,5%,1/16W,TP,1005	7	SNA
...4		2007-001168	R-CHIP;75ohm,5%,1/4W,TP,3216	1	SA
...4		2007-001292	R-CHIP;33ohm,5%,1/16W,TP,1005	12	SNA
...4		2007-001298	R-CHIP;51ohm,5%,1/16W,TP,1005	2	SNA
...4		2007-001313	R-CHIP;330ohm,5%,1/16W,TP,1005	2	SNA
...4		2007-001325	R-CHIP;3.3Kohm,5%,1/16W,TP,1005	1	SNA
...4		2007-003025	R-CHIP;6.8ohm,5%,1/16W,TP,1005	2	SA
...4		2007-007095	R-CHIP;390ohm,5%,1/16W,TP,1005	1	SA
...4		2007-007108	R-CHIP;43.2Kohm,1%,1/16W,TP,1005	1	SA
...4		2007-007142	R-CHIP;10Kohm,1%,1/16W,TP,1005	2	SNA
...4		2007-007156	R-CHIP;1ohm,5%,1/16W,TP,1005	15	SNA
...4		2007-007306	R-CHIP;100ohm,1%,1/16W,TP,1005	4	SNA
...4		2007-007309	R-CHIP;12Kohm,1%,1/16W,TP,1005,0.35T	1	SA
...4		2007-007311	R-CHIP;22Kohm,1%,1/16W,TP,1005	1	SA
...4		2007-007317	R-CHIP;2.2Kohm,1%,1/16W,TP,1005	2	SA
...4		2007-007318	R-CHIP;1Kohm,1%,1/16W,TP,1005	17	SNA
...4		2007-007517	R-CHIP;240ohm,1%,1/16W,TP,1005	1	SNA
...4		2007-007538	R-CHIP;56Kohm,1%,1/16W,TP,1005	1	SA
...4		2007-008015	R-CHIP;75ohm,1%,1/16W,TP,1005	8	SNA
...4		2007-008275	R-CHIP;30Kohm,1%,1/16W,TP,1005	1	SNA
...4		2007-008332	R-CHIP;11.5Kohm,1%,1/16W,TP,1005	2	SA
...4		2011-001261	R-NETWORK;33ohm,5%,1/16W,L,CHIP,8P,TP,2.	2	SA
...4		2011-001262	R-NETWORK;22ohm,5%,1/16W,L,CHIP,8P,TP,2.	2	SA
...4		2011-001344	R-NETWORK;100ohm,5%,1/16W,L,CHIP,8P,TP,2	6	SA
...4		2011-001345	R-NETWORK;10Kohm,5%,1/16W,L,CHIP,8P,TP,2	4	SA
...4		2011-001396	R-NETWORK;4.7Kohm,5%,1/16W,L,CHIP,8P,TP,	5	SA
...4		2011-001449	R-NETWORK;22ohm,5%,1/16W,L,4Points,TP,10	1	SA
...4		2011-001527	R-NETWORK;4.7Kohm,5%,1/16W,L,CHIP,4P,TP,	1	SNA
...4	AD480	2203-000233	C-CER,CHIP;0.1nF,5%,50V,C0G,TP,1005	9	SA
...4	AD480	2203-000278	C-CER,CHIP;0.01nF,0.5pF,50V,C0G,TP,1005	1	SA
...4	AD480	2203-000359	C-CER,CHIP;0.15nF,5%,50V,C0G,TP,1005,0.5	4	SNA
...4	AD480	2203-000438	C-CER,CHIP;1nF,10%,50V,X7R,TP,1005	7	SA

Exploded Views and Parts List

Level	Loc.	Part Code	Description & Specification	Qty.	SA/SNA
...4	AD480	2203-000489	C-CER,CHIP;2.2nF,10%,50V,X7R,TP,1005	1	SA
...4	AD480	2203-000585	C-CER,CHIP;0.22nF,10%,50V,X7R,TP,1005	1	SA
...4	AD480	2203-000627	C-CER,CHIP;0.022nF,5%,50V,C0G,TP,1005	2	SNA
...4	AD480	2203-000714	C-CER,CHIP;3.3nF,10%,50V,X7R,TP,1005	10	SA
...4	AD480	2203-000812	C-CER,CHIP;0.033nF,5%,50V,C0G,TP,1005	1	SA
...4	AD480	2203-000940	C-CER,CHIP;0.47nF,10%,50V,X7R,TP,1005	4	SA
...4	AD480	2203-000995	C-CER,CHIP;0.047nF,5%,50V,C0G,TP,1005	3	SA
...4	AD480	2203-001412	C-CER,CHIP;0.03nF,5%,50V,NP0,TP,1005	3	SNA
...4	AD480	2203-002285	C-CER,CHIP;10nF,10%,50V,X7R,TP,1005	12	SNA
...4	AD480	2203-002443	C-CER,CHIP;0.33nF,10%,50V,X7R,TP,1005	8	SA
...4	AD480	2203-005054	C-CER,CHIP;0.0047nF,0.25pF,50V,NP0,TP,10	2	SA
...4	AD480	2203-005249	C-CER,CHIP;100nF,10%,50V,X7R,TP,1608	13	SNA
...4	AD480	2203-005659	C-CER,CHIP;0.18nF,5%,50V,NP0,TP,1005	1	SNA
...4	AD480	2203-006048	C-CER,CHIP;100nF,10%,10V,X7R,TP,1005	85	SA
...4	AD480	2203-006126	C-CER,CHIP;47nF,10%,16V,X7R,TP,1005	12	SNA
...4	AD480	2203-006324	C-CER,CHIP;2200nF,10%,10V,X5R,TP,1608	5	SA
...4	AD480	2203-006348	C-CER,CHIP;1000nF,10%,25V,X5R,TP,1608,0.	5	SA
...4	AD480	2203-006361	C-CER,CHIP;10000nF,10%,10V,X5R,TP,2012	4	SC
...4	AD480	2203-006474	C-CER,CHIP;22000nF,20%,6.3V,X5R,TP,2012	14	SA
...4	AD480	2203-006562	C-CER,CHIP;1000nF,10%,10V,X5R,TP,1005	17	SNA
...4	AD480	2203-006636	C-CER,CHIP;220nF,10%,25V,X7R,TP,1608	2	SA
...4	AD480	2203-006890	C-CER,CHIP;10000nF,20%,6.3V,X5R,TP,1608	34	SNA
...4	AD480	2203-007176	C-CER,CHIP;10000nF,10%,16V,X5R,TP,2012,1	6	SNA
...4	AD480	2203-007240	C-CER,CHIP;22000nF,20%,6.3V,X5R,TP,1608(	2	SA
...4	AD480	2203-007269	C-CER,CHIP;22000nF,20%,10V,X5R,TP,2012(2	4	SA
...4	AD480	2203-007270	C-CER,CHIP;10000nF,10%,10V,X5R,TP,1608,0	5	SNA
...4	AD480	2203-007306	C-CER,CHIP;10000nF,10%,25V,X5R,TP,2012,1	1	SNA
...4	AD480	2203-007544	C-CER,CHIP;100nF,10%,50V,X7R,TP,1005,0.5	2	SA
...4		2503-001051	C-NETWORK;100nFx4,20%,16V,2012	1	SA
...4		2703-000158	INDUCTOR-SMD;1uH,10%,2012,.40Ohm,50mA,45,	3	SA
...4		2703-000213	INDUCTOR-SMD;470nH,10%,1608,1.35Ohm,35mA	1	SA
...4		2703-001209	INDUCTOR-SMD;1.2uH,10%,1608,.80Ohm,25mA,3	3	SA
...4		2703-002332	INDUCTOR-SMD;330nH,5%,1608,30Ohm,100mA,32	1	SA
...4		2703-003149	INDUCTOR-SMD;2.2uH,20%,5050,0.055Ohm,300	1	SA
...4		2703-003790	INDUCTOR-SMD;4.7uH,20%,8080,0.025ohm,450	1	SA
...4		2703-003930	INDUCTOR-SMD;4.7uH,20%,5050,0.072Ohm,245	4	SA
...4		2703-004145	INDUCTOR-SMD;2.2uH,20%,6.5 x 6.9mm,0.20o	1	SNA
...4		2801-003773	CRYSTAL-SMD;12MHz,30ppm,28-AAN,20pF,50oh	1	SA
...4		3301-002039	BEAD-SMD;26ohm,1608,TP	44	SA
...4		3601-001374	FUSE-SURFACE MOUNT;32V,5A,FAST-ACTING,PL	1	SA



Level	Loc.	Part Code	Description & Specification	Qty.	SA/SNA
...4		3701-001861	CONNECTOR-HDMI;19P,FEMALE,AU,0.5mm,BLK,S	2	SA
...4		3707-001106	CONNECTOR-OPTICAL;STRAIGHT W/L,SPDIF	1	SA
...4		3708-003073	CONNECTOR-FPC/FFC/PIC;51P,0.5mm,SMD,AU,N	1	SA
...4		3709-001712	CONNECTOR-CARD SLOT;68P,1.27mm,ANGLE,AU,	1	SA
...4	EH01	3711-008131	HEADER-BOARD TO CABLE;BOX,4P,1R,2.5mm,AN	1	SA
...4	EH01	3711-008521	HEADER-BOARD TO CABLE;BOX,8P,1R,2mm,ANGL	1	SA
...4	EH01	3711-008634	HEADER-BOARD TO CABLE;BOX,10P,2R,2mm,ANG	1	SA
...4		3722-003457	JACK-USB;4P/1C,NI,BLK,A	1	SA
...4		3722-003655	JACK-SCART;21P,SN,BLK	1	SA
...4		3722-003667	JACK-PHONE;1P/7C,SN/NI,BLK,STRAIGHT,3.6P	1	SA
...4	ET01	BN40-00282A	TUNER;DTOS40EIH276A,DTOS40EIH276A,DVB-TC	1	SA
...4		BN41-02098B	PCB MAIN;NT14L,FR-4,4,1.2,122*193.5,1	1	SNA
...4		BN97-07377F	ASSY MICOM-SUB;T-NT14LDEUS-1002,2014.02.	1	SNA
....5		1107-002226	IC-NOR FLASH;W25Q40CLSSIP,4Mbit,SOIC,8P,	1	SA
...4		BN97-07377K	ASSY MICOM;T-NT14LDEUC-XXXX,F59L1G81A-25	1	SNA
....5		1107-002252	IC-NAND FLASH;1Gbit,128Mx8,TSOP,48P,12x2	1	SA
....5		BN46-00371E	S/W-E-MANUAL;NT14L,EU4,XC, XN, ZF, ZG, Z	1	SNA
....5		BN46-00377A	S/W MICOM;T-NT14LDEUC-XXXX,2013.10.23	1	SNA
..3	T0066	BP62-00017A	HEAT SINK-ES;SP-50L2HX,A6063S,T2.0,26.2,	1	SNA
1	ACCE1	BN92-17411A	ASSY ACCESSORY;LED J6K UHD	1	SNA
.2		BN68-07519B	LABEL-ENERGY;EU,Jordan all(A++),WW,PP,0.	1	SNA
.2		BN96-38700B	ASSY ACCESSORY CABLE;UHD LED TV	1	SNA
..3	T0268	3903-000950	CBF-POWER CORD;DT,CEE,LP-21L,250V,2.5A,B	1	SA
..3		4301-000121	BATTERY-MN;1.5V,R03,10.5x44.5mm,7.5g,AAA	2	SNA
..3		6902-001965	BAG PE;LDPE,BIOBASED,T0.05,W200,L300,TRP	1	SNA
..3	REMO2	AA59-00741A	REMOCON;TM1240,44,3.0V,F5020/EU	1	SA
..3	HOLDE	BN96-08370A	HOLDER-WIRE STAND;26UE4000 GUIDE STAND,P	1	SA
.2		BN96-39037E	ASSY ACCESSORY MANUAL;LED TV	1	SNA
..3		6902-001964	BAG PE;LDPE,BIOBASED,T0.03,W200,L300,TRP	1	SNA
..3	T0527	BN68-00513A	LABEL-E,PASS;ALL MODEL,YUPO(110G),BLACK,	1	SNA
..3		BN68-00514K	MANUAL FLYER-07,WARRANTY CARD;comm,Samsu	1	SNA
..3		BN68-04972E	LEAFLET-06,REGULATORY GUIDE;ALL,SAMSUNG,	1	SNA
..3		BN68-07351G	LEAFLET-06,FICHE_15TV(5SERIES);ALL,W/P*	1	SNA
..3		BN68-07680C	MANUAL USERS;J5000,XNZF,W/P	1	SNA
1		BN92-19158A	ASSY P/MATERIAL;UHD 6K	1	SNA
.2		6902-001955	BAG ROLL;HDPE/PE FOAM,HDPE T0.018mm,T0.2	3	SNA
.2		6902-002233	BAG AIR;LDPE,-,T0.2,W900,L1850,TRP,-,-,-	1	SNA
.2		6922-000003	BAND;PP,T0.8,W18,L1650M,TRP,DA69-90145A	1	SNA
.2		BN02-00319B	TAPE OPP;OPP,T0.05,W75,L800m,CLEAR	4	SNA
.2		BN68-02422B	LABEL-WARNING SHIPPING;ALL MODEL,A/P,T0.	1	SNA

## Exploded Views and Parts List

Level	Loc.	Part Code	Description & Specification	Qty.	SA/SNA
.2		BN69-03982N	PAD PACKING-EDGE;EDGE,PAPER,-,T5,W120,L2	1	SNA
.2		BN69-05418N	WRAP;T0.017,750,2000000,2000000,750	0	SNA
.2		BN69-06640B	PAD;PAD,PAPER,-,CB-SW4,910,1290,-,-,-,-,	1	SNA
.2		BN69-06640E	PAD-TRUCK PAD;TRUCK PAD,PAPER,-,DW-BC,41	1	SNA
.2		BN69-09624A	CUSHION-FRONT;UH6300-60,EPS	1	SNA
.2		BN69-12476N	PALLET;UE58J5000,WOOD,-,1035,1630,141,-,	1	SNA
.2		BN69-12854A	CUSHION-SET;58J5000-QS,EPS,16.7g/l	1	SNA
..3		0103-005099	RESIN EPS;BASF303,Natural,Natural	904	SNA
1		BN92-19341V	ASSY LABEL;UHD 6K	1	SNA
.2		0203-001598	TAPE-FILAMENT;#8915,0.15,12,55000,CLR	0	SNA
.2		BN68-06708G	LABEL RATING;Monitor,WW,PP,T0.161,93,73,	1	SNA
.2		BN68-07595C	LEAFLET-QSG;J5000,EU,W/P	1	SNA
1		BN92-19380T	ASSY BOX;LED TV	1	SNA
.2		BH68-00662A	LABEL BOX-01;ALL MODEL,ART PAPER,60,110,	1	SNA
.2		BN69-12853B	BOX UNIT;58J5000-QS,CB,A-01, DW3,W1612,D	1	SNA