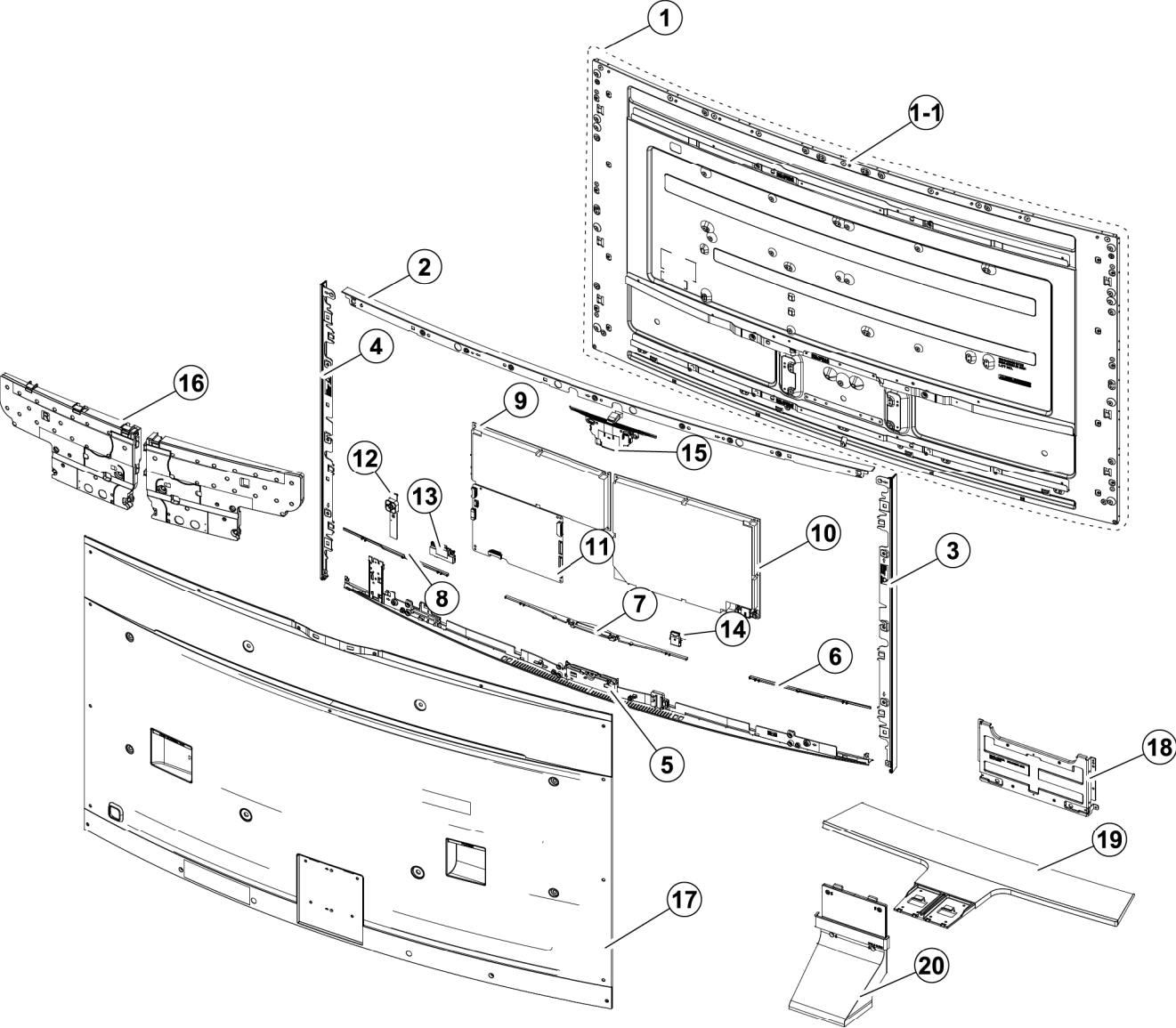


1. Exploded View & Part List

Exploded View



2. ONE CONNECT Exploded View & Part List

ONE CONNECT Exploded View

