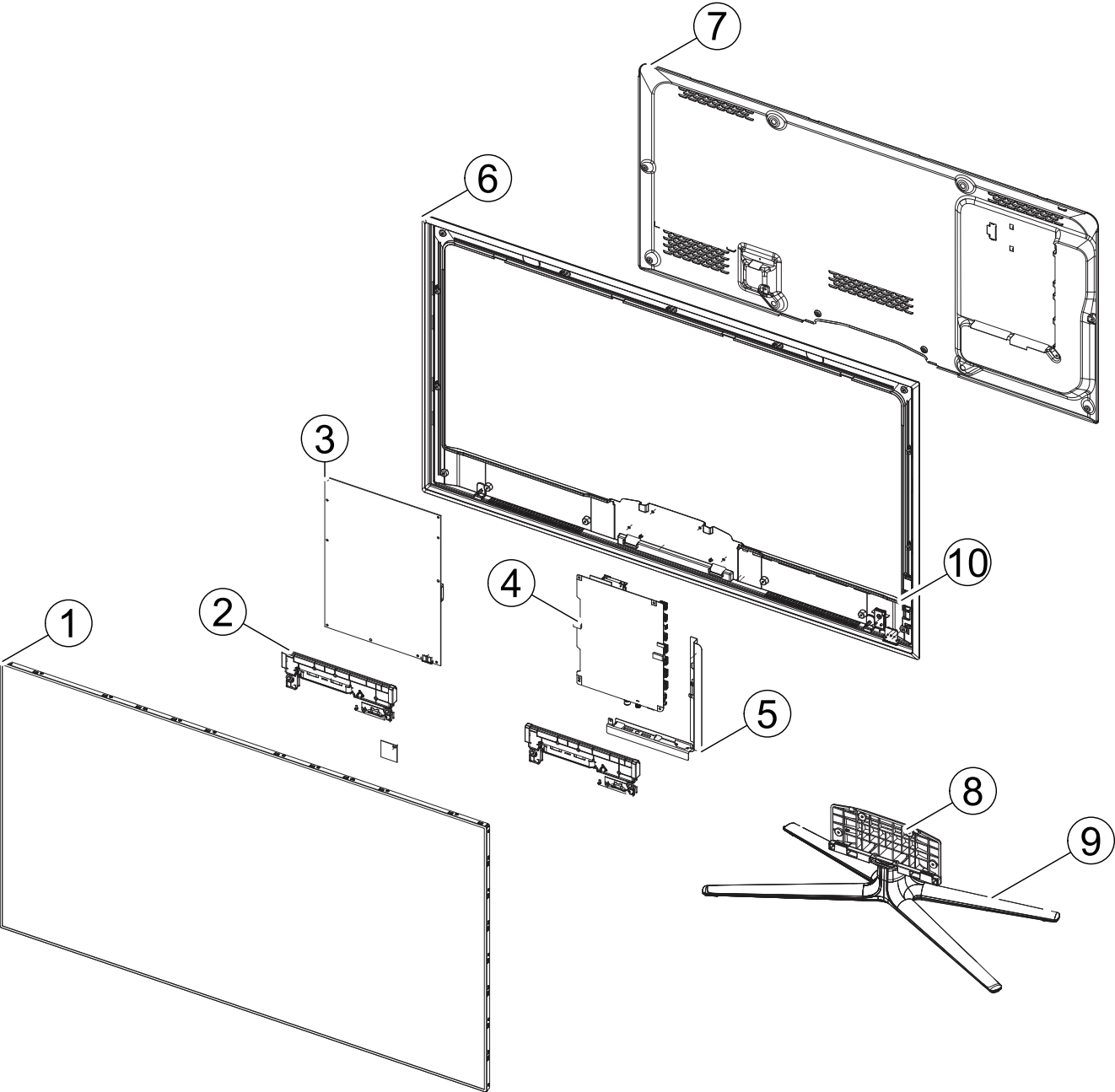


1. Exploded View & Part List

Exploded View



Parts List

No.	Parent	Lvl.	Loc.	Material Code	Description & Specification	SNA	Qty.
1	BN91-06691A	2	PANEL	BN95-00440A	PRODUCT LCD; LTJ550HQ02-V,8bits,55inch,16	SA	1
2	BN91-06496A	2	SP01A	BN96-18089B	ASSY SPEAKER P; 6ohm,4pin,15W,7000/8000 5	SA	1
3	BN91-06691A	2	P001A	BN44-00428B	DC VSS-LED TV PD BD; PD55B2_BHS,PD55B2_BH	SA	1
4	BN91-06493C	2	M0014	BN94-04420C	ASSY PCB MAIN; UE55D7000LSXUA	SA	1
5	BN94-04420C	3	CB01	BN61-07083Z	BRACKET-AV; UD7/8K,PCM,T0.45,BKN-P824,EUR	SNA	1
6	BN90-03290B	2	M001A	BN96-16861B	ASSY COVER P-MIDDLE; UD7000 55,EO,PC(CLR)	SA	1
7	BN90-03227N	2	R001A	BN96-16877N	ASSY COVER P-REAR; UD8000 55,EO(SATELLITE)	SA	1
8	BN90-03279C	2	SG03A	BN96-16722C	ASSY STAND P-GUIDE; UD7000-8000,W/W,PC,G/	SA	1
9	BN90-03279C	2	SB04A	BN96-16959B	ASSY STAND P-BASE; UD8000 55,QUAD,ABS+PC,	SA	1
10	BN96-16861B	3	FB20A	BN96-18232F	ASSY BOARD P-TOUCH FUNCTION; UE32D6500,CT	SA	1

2. Electrical Parts List

Level	Loc.	Part Code	Description & Specification	Qty.	SA/SNA
			UE55D7000LSXZF (H301)		
1	R001A	BN90-03227N	ASSY COVER REAR;UD8000 55	1	SNA
.2	R001A	BN96-16877N	ASSY COVER P-REAR;UD8000 55,EO(SATELLITE	1	SA
..3		BN60-00162Y	SPACER-FOAM;FOAM,50000mm,Dark Gray,0.35T	0	SNA
..3	R001	BN63-07843B	COVER-REAR;UD6400 55,PCM,T0.45,BKN-P824,	1	SNA
..3		BN63-08178A	SHEET-INSULATOR SMPS;UD6500 40"46"55",PC	1	SNA
..3		BN63-08262A	EARTH-PLATE;UD6500,STAINLESS-STS304,0.15	2	SNA
..3		BN68-03297Z	LABEL-TERMINAL BOTTOM;LD7000/8000,EO(S),	1	SNA
..3		BN68-03298N	LABEL-TERMINAL SIDE;UD6000~6100,Europe,D	1	SNA
..3		BN68-03518A	LABEL-STICKER;WW,ALL,60.5,68.8,LABEL-CI	1	SNA
1	S001A	BN90-03279C	ASSY STAND;UD8000 55,QUAD STAND	1	SNA
.2	SG03A	BN96-16722C	ASSY STAND P-GUIDE;UD7000-8000,W/W,PC,G/	1	SA
..3	T0524	6902-001063	BAG PE;LDPE,T0.05,W180,L350,TRP,RECYCLE	1	SNA
..3	SG03	BN61-07057A	GUIDE-STAND;UD5000 37,PC+G/F 20%,V2,BK00	1	SNA
..4		0103-007285	RESIN-PC;MW32020GFU,BK0007,2.0 V2,PC/GF2	280	SNA
..3		BN68-03389C	MANUAL FLYER-01,STAND GUIDE;U7000(32~55)	1	SNA
..3		BN96-18013F	ASSY ACCESSORY-SCREW;6001-002621,4EA,ALL	2	SNA
..4		6001-002621	SCREW-MACHINE;BH,+,M4,L8,ZPC(BLK),SWRCH1	8	SA
..4	T0524	6902-000341	BAG PE;LDPE,T0.05,L90,W70,TRP,,,PE MARK	2	SNA
.2	SB04A	BN96-16959B	ASSY STAND P-BASE;UD8000 55,QUAD,ABS+PC,	1	SA
..3	SCREW	6003-001782	SCREW-TAPTYPE;BH,+,B,M4,L12,ZPC(BLK),SWR	13	SA
..3	SCREW	6003-001785	SCREW-TAPTYPE;FH,+,B,M4,L8,ZPC(BLK),SWRC	4	SA
..3		BN61-07152A	BRACKET-STAND,FRONT;UD8000 55 FOUR-LEG,H	2	SNA
..3		BN61-07153A	BRACKET-STAND,REAR;UD8000 55 FOUR-LEG,HG	2	SNA
..3		BN61-07159A	HOLDER-SWIVEL, TOP;UD8000 46/55 QUAD,ACET	1	SNA
..3		BN61-07160A	HOLDER-SWIVEL,BOTTOM;UD8000 46/55 QUAD,A	1	SNA
..3		BN61-07163A	BRACKET-SWIVEL, TOP;UD8000 46/55 QUAD,SPC	1	SNA
..3		BN61-07355A	BRACKET-STAND,NECK;UD8000 55 QUAD,ALCOT,	1	SNA
..3		BN63-05135E	COVER-SHEET;4-LEG,Rhcm PE Vinyl,T0.05,W6	2	SNA
..3		BN63-07916B	COVER-STAND,BASE;UD8000 55,QUAD,ABS+PC,V	1	SNA
..4		0103-007489	RESIN-HIPS;FT875,BK,BK0020,V1,HIPS	190	SNA
..3		BN63-07917B	COVER-STAND,FRONT-LEFT;UD8000 55,QUAD,AB	1	SNA
..3		BN63-07918B	COVER-STAND,FRONT-RIGHT;UD8000 55,QUAD,A	1	SNA
..3		BN63-07919B	COVER-STAND,REAR-LEFT;UD8000 55,QUAD,ABS	1	SNA
..3		BN63-07920B	COVER-STAND,REAR-RIGHT;UD8000 55,QUAD,AB	1	SNA
..3	AR011	BN73-00077A	RUBBER FOOT;MATISSE,BUMPON,13.5,T2.0,G	4	SNA
..3		BN74-00031A	GREASE;kanto-kasei FL-955,grease,wht	1	SNA
..3		BN96-16916A	ASSY BRACKET P-SWIVEL BOTTOM;UD8000 46/5	1	SNA

Exploded Views and Parts List

Level	Loc.	Part Code	Description & Specification	Qty.	SA/SNA
...4		BN61-02428Q	STUD-PEM;PNA,M4,D7,L9.3,ZPC(SIL),SUM24L	4	SNA
...4		BN61-07164A	BRACKET-SWIVEL,BOTTOM;UD8000 46/55 QUAD,	1	SNA
...3	T0382	BP61-00495C	HOLDER-CARE;PJT,ACRYL-FOAM,T0.25,W30.0mm	0	SNA
1		BN90-03290B	ASSY COVER MIDDLE;UD7000 55	1	SNA
.2		6001-002671	SCREW-MACHINE;BH,+,M3,L6,ZPC(BLK),SWRCH1	15	SA
.2	M001A	BN96-16861B	ASSY COVER P-MIDDLE;UD7000 55,EO,PC(CLR)	1	SA
...3	CIS1	0203-001598	TAPE-FILAMENT;#8915,0.15,12,55000,CLR	0	SNA
...3	M0081	6003-000115	SCREW-TAPTYPE;BH,+,B,M3,L6,ZPC(BLK),SWRC	2	SNA
...3	EC13	BN39-01480E	LEAD CONNECTOR;UN55D6400,Cable Connector	1	SA
...3	CCM1	BN63-02183G	COVER-SHEET;RhcM,PE Vinyl,T0.05,1100mm,2	1	SNA
...3	R002A	BN63-07858B	COVER-MIDDLE;UD7000 55,EO,PC(CLR)+PC(Red	1	SNA
...4		0103-007268	RESIN-PC;TP0010,2.0V0,NH PC,NH PC 2.0 V2	564	SNA
...4		0103-007630	RESIN-PC;TN-1045S/431245,RD0064,2.0V0,NH	642	SNA
...4		BN68-00513D	LABEL-RESIN;resin,-,art paper,-,10,25,-,	1	SNA
...3		BN68-00513E	LABEL-AMS;ams,-,art paper,-,10,38,-,whit	1	SNA
...3		BN74-00052A	TAPE-PAPER;LB530,Crepe Paper,0.17mm, 10m	0	SNA
...3	FB03A	BN96-17107B	ASSY BOARD P-RF MODULE;Bluetooth Module,	1	SA
...3	FB06A	BN96-18099A	ASSY BOARD P-IR & 3D EMITTER;UD7000/7050/7	1	SA
...3	FB20A	BN96-18232F	ASSY BOARD P-TOUCH FUNCTION;UE32D6500,CT	1	SA
1	M0017	BN91-06493C	ASSY CHASSIS;UE55D7000LSX*	1	SNA
.2	M0014	BN94-04420C	ASSY PCB MAIN;UE55D7000LSXUA	1	SA
...3		0202-001608	SOLDER-WIRE FLUX;LFC7-107,D0.8,99.3Sn/0.	0	SNA
...3	T0562	6046-001015	STAND OFF;#4-40,L5,Ni PLT,C3601,M3	2	SNA
...3	HDP01	BN61-06644A	HOLDER-PCB;LC750,NYNOL66,V0	1	SNA
...3	CB01	BN61-07083Z	BRACKET-AV;UD7/8K,PCM,T0.45,BKN-P824,EUR	1	SNA
...3		BN97-05229A	ASSY SMD;UE40D7000LSX*,BN94-04420A	1	SNA
...4		0202-001477	SOLDER-CREAM;LST309-M,D20~45um,96.5Sn/3A	4	SNA
...4	DS01A	0401-001056	DIODE-SWITCHING;MMBD4148SE,100V,200mA,SO	17	SA
...4		0403-001783	DIODE-ZENER;BZB84-C6V2,5.8/6.6V,300mW,SO	19	SNA
...4	D0254	0404-001271	DIODE-SCHOTTKY;SSA34,40V,3000mA,SMA,TP	3	SA
...4	D0254	0404-001404	DIODE-SCHOTTKY;BAT721C,40V,200mA,SOT-23,	5	SA
...4	T0139	0406-001200	DIODE-TVS;RCLAMP0504F,6/-/V,150W,SC-70	2	SA
...4		0406-001290	DIODE-TVS;3.0SMCJ20A,22.2/-/24.5V,3000W,	1	SNA
...4	Q101	0501-000445	TR-SMALL SIGNAL;KTC3875S-Y,NPN,150mW,SOT	4	SA
...4	Q375	0504-000126	TR-DIGITAL;KSR1101,NPN,200mW,4.7K/4.7Koh	2	SA
...4	Q806	0504-000152	TR-DIGITAL;KSR2101,PNP,200mW,4.7K/4.7Koh	1	SA
...4	CEQ2	0505-000110	FET-SILICON;2N7002,N,60V,115mA,7.5ohm,0.	4	SA
...4	Q409	0505-002386	FET-SILICON;AO3415AL,P,-20V,-4A,0.045ohm	3	SA
...4		0505-002854	FET-SILICON;AO5404E,N,20V,0.5A,0.55ohm,0	1	SNA
...4		0505-002894	FET-SILICON;MMBF177LT1G,P,20mA,300ohm,0	1	SNA

Level	Loc.	Part Code	Description & Specification	Qty.	SA/SNA
...4	IC104	0801-002630	IC-CMOS LOGIC;74AHCT1G08,2-INPUT AND GAT	1	SA
...4	ND51C2	0801-002780	IC-CMOS LOGIC;74LVC1G17,SCHMITT-TRIGGER	1	SA
...4	IC104	0801-003330	IC-CMOS LOGIC;Octal buffer,DQFN,20P,4.5x	3	SA
...4	IC104	0802-001012	IC-CMOS LOGIC;74LCX245,TRANSCEIVER,DQFN,	1	SNA
...4		0903-001705	IC-MICROCOMPUTER;NXC1000,BGA,232P,14mm x	1	SA
...4		0904-002631	IC-USC;QFN,28P,5.0mm X 5.0mm,12MHz,TP,PL	2	SA
...4		1001-001682	IC-VIDEO SWITCH;BH76010FS,6INPUT-4OUTPUT	1	SA
...4		1001-001683	IC-VIDEO SWITCH;SiI9489,QFP,128P,14x14x1	1	SNA
...4		1001-001686	IC-ANALOG MULTIPLEX;74LV4052,CMOS,TT SOP,	1	SA
...4	IC107	1002-001482	IC-D/A CONVERTER;WM8521H9GED/R,16bit,SOI	1	SA
...4	IC108	1002-001483	IC-A/D CONVERTER;WM8775SEDS/R,24Bit,SSOP	1	SA
...4		1103-001500	IC-EEPROM;AT24C02C-SSHM-T,2Kbit,256x8,SO	1	SA
...4		1103-001506	IC-EEPROM;M24512-RMN6TP,512Kbit,64Kx8,SO	1	SA
...4		1105-002127	IC-DDR2 SDRAM;K4T51163QI-HCE7,512Mbit,32	1	SA
...4		1105-002161	IC-DDR3 SDRAM;K4B2G1646C-HCH9,DDR3 SDRAM	2	SNA
...4		1105-002194	IC-DDR3 SDRAM;K4B1G1646G-BCH9,DDR3 SDRAM	2	SA
...4		1201-003158	IC-POWER AMP;TAS5725,PQFP,48P,7x7mm,DUAL	1	SA
...4	T0087	1203-002519	IC-POSI.FIXED REG.;KIA7809AF,DPAK,3P,240	1	SA
...4		1203-004363	IC-VOL. DETECTOR;RT9818C-29PV,SOT-23,3P,	1	SA
...4	IC012	1203-005756	IC-POSI.ADJUST REG.;AP7173-SP,SOP-8L-EP,	1	SA
...4		1203-005988	IC-DC/DC CONVERTER;TPS54620RGY,QFN,14P,3	1	SA
...4		1203-006017	IC-VOL. DETECTOR;RT9824GJ8,TSOT23,8P,2.9	1	SA
...4		1203-006067	IC-POWER SUPERVISOR;TPS2553DBVR,SOT-23,6	2	SNA
...4	T0087	1203-006109	IC-POSI.FIXED REG.;S-1206B33-M3T1G,SOT-2	1	SA
...4	T0087	1203-006118	IC-POSI.FIXED REG.;S-1172B18-U5T1G,SOT-8	1	SA
...4	T0087	1203-006130	IC-POSI.FIXED REG.;S-1172B25-U5T1G,SOT-8	1	SA
...4	T0087	1203-006135	IC-POSI.FIXED REG.;AP1117D-33-GZ-13-89,T	2	SA
...4	T0087	1203-006136	IC-POSI.FIXED REG.;AP1117D-18-GZ-13-89,T	1	SA
...4	IC012	1203-006138	IC-POSI.ADJUST REG.;AP1117DGZ-13-89,TO-2	1	SA
...4	T0087	1203-006141	IC-POSI.FIXED REG.;S-1172B33-U5T1G,SOT-8	1	SA
...4		1203-006167	IC-POSI.FIXED REG.;S-1172B12-U5T1G,SOT-8	1	SA
...4		1203-006619	IC-DC/DC CONVERTER;AOZ1033AI,SO-8,8P,4.9	3	SA
...4		1203-006683	IC-DC/DC CONVERTER;A8294SESTR-T,QFN,20P,	1	SNA
...4	IC118	1204-003101	IC-VIDEO PROCESS;SDP94,PBGA,345P,19x19mm	1	SA
...4		1204-003212	IC-DECODER;SDP1002,FCBGA,937P,35x35mm,PL	1	SA
...4		1205-003479	IC-SWITCH;TPS2051BDBVR,SOT-23,5P,2.9x1.6	3	SA
...4		1205-003834	IC-ETHERNET CONTROLLER;RTL8201E-VC-GRT,Q	1	SA
...4		1205-003840	IC-CODEC;WM8595GEFL/RS,QFN,48P,7x7x0.9mm	1	SA
...4		1205-004184	IC-SWITCH;G548A1F51U,SOP-8,8P,3.0x4.9mm,	1	SA
...4		1405-001271	VARISTOR;20Vdc,5A,1.0x0.5x0.6mm,TP	30	SA

Exploded Views and Parts List

Level	Loc.	Part Code	Description & Specification	Qty.	SA/SNA
...4	R319	2007-000143	R-CHIP;4.7Kohm,5%,1/16W,TP,1005	63	SNA
...4		2007-000146	R-CHIP;6.8Kohm,5%,1/16W,TP,1005	2	SNA
...4	R104	2007-000148	R-CHIP;10Kohm,5%,1/16W,TP,1005	6	SA
...4	AR43	2007-000155	R-CHIP;27Kohm,5%,1/16W,TP,1005	1	SNA
...4	DR39	2007-000162	R-CHIP;100Kohm,5%,1/16W,TP,1005	11	SNA
...4	R509	2007-000170	R-CHIP;1Mohm,5%,1/16W,TP,1005	5	SNA
...4	R111	2007-000171	R-CHIP;0ohm,5%,1/16W,TP,1005	32	SNA
...4	HDR17	2007-000172	R-CHIP;10ohm,5%,1/16W,TP,1005	8	SNA
...4	R338	2007-000173	R-CHIP;22ohm,5%,1/16W,TP,1005	39	SNA
...4		2007-000231	R-CHIP;1.3Kohm,1%,1/10W,TP,1608	2	SA
...4	MR39	2007-000242	R-CHIP;1.5Kohm,5%,1/16W,TP,1005	1	SNA
...4	JR11	2007-000614	R-CHIP;24Kohm,1%,1/10W,TP,1608	2	SNA
...4		2007-000758	R-CHIP;330Kohm,5%,1/16W,TP,1005	1	SNA
...4	R19	2007-000763	R-CHIP;330ohm,1%,1/10W,TP,1608	1	SNA
...4	R124	2007-000775	R-CHIP;33Kohm,5%,1/16W,TP,1005	1	SNA
...4	DR37	2007-000932	R-CHIP;470ohm,5%,1/16W,TP,1005	8	SNA
...4		2007-001090	R-CHIP;620ohm,1%,1/10W,TP,1608	1	SA
...4	VR88	2007-001116	R-CHIP;680ohm,1%,1/10W,TP,1608	1	SA
...4		2007-001168	R-CHIP;75ohm,5%,1/4W,TP,3216	2	SA
...4		2007-001288	R-CHIP;18ohm,5%,1/16W,TP,1005	4	SA
...4	MR31	2007-001305	R-CHIP;120ohm,5%,1/16W,TP,1005	1	SNA
...4	CER07	2007-001308	R-CHIP;200ohm,5%,1/16W,TP,1005	1	SNA
...4		2007-001316	R-CHIP;820ohm,5%,1/16W,TP,1005	1	SA
...4	DR8	2007-007001	R-CHIP;3.9Kohm,5%,1/16W,TP,1005	1	SA
...4		2007-007008	R-CHIP;300ohm,5%,1/16W,TP,1005	1	SNA
...4	PR8	2007-007015	R-CHIP;13Kohm,5%,1/16W,TP,1005	1	SNA
...4		2007-007132	R-CHIP;15Kohm,1%,1/16W,TP,1005	2	SA
...4		2007-007134	R-CHIP;39Kohm,1%,1/16W,TP,1005	1	SA
...4		2007-007135	R-CHIP;18Kohm,1%,1/16W,TP,1005	4	SNA
...4		2007-007137	R-CHIP;1.2Kohm,1%,1/16W,TP,1005	3	SA
...4		2007-007139	R-CHIP;47Kohm,1%,1/16W,TP,1005	28	SA
...4	DR4	2007-007142	R-CHIP;10Kohm,1%,1/16W,TP,1005	51	SNA
...4		2007-007156	R-CHIP;1ohm,5%,1/16W,TP,1005	7	SNA
...4		2007-007306	R-CHIP;100ohm,1%,1/16W,TP,1005	44	SNA
...4		2007-007312	R-CHIP;20Kohm,1%,1/16W,TP,1005	10	SA
...4		2007-007318	R-CHIP;1Kohm,1%,1/16W,TP,1005	30	SNA
...4	HDR44	2007-007470	R-CHIP;7.5Kohm,1%,1/16W,TP,1005	2	SNA
...4		2007-007488	R-CHIP;75Kohm,1%,1/16W,TP,1005	1	SNA
...4		2007-007517	R-CHIP;240ohm,1%,1/16W,TP,1005	6	SNA
...4	WR23	2007-007525	R-CHIP;3.4Kohm,1%,1/10W,TP,1608	1	SNA

Level	Loc.	Part Code	Description & Specification	Qty.	SA/SNA
...4		2007-007587	R-CHIP;3.6Kohm,1%,1/16W,TP,1005	1	SNA
...4		2007-007617	R-CHIP;2.49Kohm,1%,1/10W,TP,1608	1	SA
...4		2007-007698	R-CHIP;5.1Kohm,1%,1/16W,TP,1005	1	SNA
...4		2007-007724	R-CHIP;40.2ohm,1%,1/10W,TP,1608	2	SA
...4		2007-007766	R-CHIP;2Kohm,1%,1/16W,TP,1005	23	SNA
...4		2007-007947	R-CHIP;36ohm,1%,1/10W,TP,1608	1	SA
...4	MR11	2007-008015	R-CHIP;75ohm,1%,1/16W,TP,1005	21	SNA
...4		2007-008137	R-CHIP;24Kohm,1%,1/16W,TP,1005	1	SNA
...4		2007-008263	R-CHIP;3Kohm,1%,1/16W,TP,1005	3	SA
...4		2007-008275	R-CHIP;30Kohm,1%,1/16W,TP,1005	1	SNA
...4		2007-008294	R-CHIP;33ohm,1%,1/16W,TP,1005	11	SA
...4		2007-008391	R-CHIP;6.34Kohm,1%,1/16W,TP,1005	2	SA
...4		2007-008811	R-CHIP;1.5ohm,5%,1/16W,TP,1005	1	SA
...4		2007-009853	R-CHIP;1.6Kohm,1%,1/16W,TP,1005	1	SNA
...4	ZRN10	2011-001261	R-NETWORK;33ohm,5%,1/16W,L,CHIP,8P,TP,2.	6	SA
...4	DAR09	2011-001262	R-NETWORK;22ohm,5%,1/16W,L,CHIP,8P,TP,2.	21	SA
...4		2011-001345	R-NETWORK;10Kohm,5%,1/16W,L,CHIP,8P,TP,2	3	SA
...4	DRP29	2011-001396	R-NETWORK;4.7Kohm,5%,1/16W,L,CHIP,8P,TP,	2	SA
...4		2011-001448	R-NETWORK;10ohm,5%,1/16W,L,4P,T,1010	1	SA
...4		2011-001449	R-NETWORK;22ohm,5%,1/16W,L,4P,TP,1010	23	SA
...4		2011-001506	R-NETWORK;10Kohm,5%,1/16W,L,CHIP,4P,TP,1	3	SNA
...4		2011-001527	R-NETWORK;4.7Kohm,5%,1/16W,L,CHIP,4P,TP,	11	SNA
...4		2011-001585	R-NETWORK;47ohm,5%,1/16W,L,CHIP-V,4P,TP,	2	SNA
...4		2011-001586	R-NETWORK;1Kohm,5%,1/16W,L,CHIP-V,4P,TP,	6	SNA
...4		2011-001587	R-NETWORK;100ohm,5%,1/16W,L,CHIP-V,4P,TP	3	SNA
...4		2011-001589	R-NETWORK;0ohm,5%,1/16W,L,CHIP-V,4P,TP,1	24	SNA
...4		2011-001590	R-NETWORK;47Kohm,5%,1/16W,L,CHIP-V,4P,TP	2	SNA
...4	PC43	2203-000233	C-CER,CHIP;0.1nF,5%,50V,C0G,TP,1005	11	SA
...4	DC54	2203-000278	C-CER,CHIP;0.01nF,0.5pF,50V,C0G,TP,1005	12	SA
...4	DC2	2203-000330	C-CER,CHIP;0.012nF,5%,50V,C0G,TP,1005	8	SA
...4	DC1	2203-000386	C-CER,CHIP;0.015nF,5%,50V,C0G,TP,1005	6	SA
...4	MC302	2203-000425	C-CER,CHIP;0.018nF,5%,50V,C0G,TP,1005	2	SA
...4	C254	2203-000438	C-CER,CHIP;1nF,10%,50V,X7R,TP,1005	12	SA
...4	C507	2203-000489	C-CER,CHIP;2.2nF,10%,50V,X7R,TP,1005	2	SA
...4	V1233	2203-000575	C-CER,CHIP;220nF,10%,25V,X7R,TP,2012	8	SNA
...4	AD480	2203-000585	C-CER,CHIP;0.22nF,10%,50V,X7R,1005	2	SA
...4	AD480	2203-000714	C-CER,CHIP;3.3nF,10%,50V,X7R,TP,1005,-	9	SA
...4	DC25	2203-000812	C-CER,CHIP;0.033nF,5%,50V,C0G,TP,1005	9	SA
...4	AD480	2203-001414	C-CER,CHIP;330nF,10%,50V,X7R,TP,2012	3	SNA
...4	AD480	2203-001851	C-CER,CHIP;0.016nF,5%,50V,NP0,TP,1608	2	SNA

Exploded Views and Parts List

Level	Loc.	Part Code	Description & Specification	Qty.	SA/SNA
...4	AD480	2203-002285	C-CER,CHIP;10nF,10%,50V,X7R,TP,1005	17	SNA
...4	DC18	2203-005138	C-CER,CHIP;1.8nF,10%,50V,X7R,1005	6	SA
...4	C231	2203-005221	C-CER,CHIP;15nF,10%,50V,X7R,1608	1	SNA
...4	AAC1	2203-005249	C-CER,CHIP;100nF,10%,50V,X7R,TP,1608	19	SNA
...4	AD480	2203-005344	C-CER,CHIP;22nF,10%,25V,X7R,TP,1005,0.5T	5	SNA
...4	PC8	2203-005642	C-CER,CHIP;0.22nF,5%,50V,NP0,1005	1	SNA
...4	AD480	2203-005968	C-CER,CHIP;4.7nF,10%,50V,X7R,TP,1005,0.5	3	SNA
...4	VC37	2203-006048	C-CER,CHIP;100nF,10%,10V,X7R,TP,1005	202	SA
...4	AD480	2203-006126	C-CER,CHIP;47nF,10%,16V,X7R,TP,1005	7	SNA
...4	C102	2203-006158	C-CER,CHIP;100nF,10%,16V,X7R,TP,1005,0.5	25	SNA
...4	C802	2203-006348	C-CER,CHIP;1000nF,10%,25V,X5R,TP,1608	2	SA
...4	C125	2203-006361	C-CER,CHIP;10000nF,10%,10V,X5R,TP,2012	77	SC
...4	HE4	2203-006474	C-CER,CHIP;22000nF,20%,6.3V,X5R,2012	8	SA
...4	HDC11	2203-006562	C-CER,CHIP;1000nF,10%,10V,X5R,TP,1005	44	SNA
...4	AD480	2203-006824	C-CER,CHIP;4700nF,10%,10V,X5R,1608	17	SNA
...4	AD480	2203-006841	C-CER,CHIP;1000nF,10%,16V,X5R,TP,1005	1	SNA
...4	C23	2203-006890	C-CER,CHIP;10000nF,20%,6.3V,X5R,1608	2	SNA
...4	AD480	2203-006992	C-CER,CHIP;0.33nF,5%,50V,C0G,TP,1005	6	SNA
...4	AD480	2203-007176	C-CER,CHIP;10000nF,10%,16V,X5R,TP,2012	9	SNA
...4	AD480	2203-007233	C-CER,CHIP;22000nF,10%,16V,X5R,TP,3216	2	SA
...4	AD480	2203-007513	C-CER,CHIP;10000nF,10%,10V,X5R,TP,1608	14	SA
...4		2402-001403	C-AL,SMD;100uF,20%,35V,TP,10.3X10.3	2	SNA
...4		2409-001118	C-POLYMER ,CHIP;47uF,-+20,10V,WT,REEL,3.	2	SA
...4		2503-001051	C-NETWORK;100nFx4,20%,16V,2012	1	SA
...4	T0052	2703-000125	INDUCTOR-SMD;10uH,10%,2012	4	SA
...4	T0052	2703-000158	INDUCTOR-SMD;1uH,10%,2012	4	SA
...4	S1Q036	12703-000408	INDUCTOR-SMD;3.3uH,20%,3225	1	SA
...4	T0052	2703-003713	INDUCTOR-SMD;1.5uH,20%,7366	1	SA
...4	T0052	2703-003790	INDUCTOR-SMD;4.7uH,20%,8080	3	SA
...4		2703-003879	INDUCTOR-SMD;33uH,20%,10.0mmX10.0mm	1	SA
...4		2703-003930	INDUCTOR-SMD;4.7uH,20%,5050	4	SA
...4	X202	2801-003948	CRYSTAL-SMD;12MHz,30ppm,28-AAN,12pF,60oh	1	SA
...4	PX1	2801-004021	CRYSTAL-SMD;24.576MHz,20ppm,28-AAN,12pF,	1	SA
...4	X202	2801-004629	CRYSTAL-SMD;27MHz,20ppm,12pF,50ohm,TP	1	SNA
...4	X202	2801-004734	CRYSTAL-SMD;25.000000MHz,20ppm,28-AAN,12	1	SA
...4	X202	2801-004774	CRYSTAL-SMD;24MHz,30ppm,14pF,30ohm,TP	2	SA
...4	X202	2801-004775	CRYSTAL-SMD;12MHz,30ppm,16pF,30ohm,TP	2	SNA
...4	X202	2801-004868	CRYSTAL-SMD;12MHz,50ppm,8pF,100ohm,TP	1	SA
...4	F103	2901-001506	FILTER-EMI SMD;5V,0.13A,0pF,2x1x0.5mm,TP	2	SA
...4	DR32	3301-000314	BEAD-SMD;120ohm,1.6x0.8x0.8mm,-,-,-	5	SNA

Level	Loc.	Part Code	Description & Specification	Qty.	SA/SNA
...4	T0568	3301-002039	BEAD-SMD;26ohm,1608,TP	57	SA
...4	T0313	3404-001209	SWITCH-TACT;12VDC,50mA,250gf,4.5x4.5x1.5	1	SA
...4	F201	3601-001374	FUSE-SURFACE MOUNT;32V,5A,FAST-ACTING,Hi	1	SA
...4	CN401	3701-001724	CONNECTOR-DSUB;15P,3ROW,FEMALE,ANGLE,NI	1	SA
...4	CN601	3701-001736	CONNECTOR-HDMI;19P,2ROW,FEMALE,SMD-A	4	SA
...4	CN303	3707-001104	CONNECTOR-OPTICAL;SMD-A(Ultra Slim),SPDI	1	SA
...4		3710-002276	SOCKET-INTERFACE;24P,1R,0.5mm,SMD-A,AU,B	2	SA
...4		3710-003374	CONNECTOR-SOCKET;64P,2R,0.5mm,ANGLE,NI+S	1	SA
...4	HB01A	3711-005499	HEADER-BOARD TO CABLE;BOX,8P,1R,1.25mm,S	2	SA
...4	HB01A	3711-005509	HEADER-BOARD TO CABLE;BOX,4P,1R,1.25mm,S	1	SA
...4	HB01A	3711-005925	HEADER-BOARD TO CABLE;BOX,51P,1R,0.5mm,S	1	SA
...4	HB01A	3711-007319	HEADER-BOARD TO CABLE;SMD,4P,1R,2.50mm,S	1	SA
...4		3711-007571	CONNECTOR-HEADER;BOX,18P,2R,2.0mm,ANGLE,	1	SA
...4		3711-007739	HEADER-BOARD TO BOARD;BOX,28P,2R,2mm,SMD	1	SA
...4	CN1501	3722-003044	JACK-USB;4P/1C,NI,BLK,SMD-A,A-TYPE	3	SA
...4	CN302	3722-003158	JACK-PHONE;1/7P,NI,BLK,ANGLE	2	SA
...4	CN1701	3722-003199	JACK-MODULAR;8P/8C,ANGLE,AU,1P	1	SA
...4	CN501	3722-003207	JACK-PHONE;2P/9C,AU,LIMEGRN,SMD-A(DIP)	1	SA
...4	ET01	BN40-00217A	TUNER;DNSS243VH142A,DNSS243VH142A,DVB-TC	1	SA
...4		BN41-01622B	PCB MAIN;UD8000,FR-4,4,B,1.2,192*240	1	SNA
...4		BN97-05297A	ASSY MICOM;T-GAPACPLD-XXXX,U53A,2010.11.	1	SNA
....5		1301-001969	IC-CPLD;EPM240T100C4N,TQFP,100P,16x16mm,	1	SNA
...4		BN97-05311A	ASSY MICOM-MAIN((IC-NAND FLASH);T-GAPDEU	1	SNA
....5		1107-001990	IC-NAND FLASH;KFG1GN6W2D-HIB6,1Gbit,64Mx	1	SA
...4		BN97-05312A	ASSY MICOM-SUB;T-GENDEUS1-XXXX.BIN,0903-	1	SNA
....5		0903-001718	IC-MICROCONTROLLER;61P805-RG480WT,LQFP,4	1	SNA
...4		BN97-05313A	ASSY MICOM-MAIN(I-NAND);T-GAPDEUC-1000.4	1	SNA
....5		1107-001983	IC-NAND FLASH;SDIN5D2-2G-944D,2GByte,BGA	1	SNA
..3		BN97-05444A	ASSY DRM-CI PLUS;BN46-00068A,U55A	1	SNA
...4		BN46-00068A	KEY CODE-CI PLUS;Genoa,TCTC,SERIAL CODIN	1	SNA
1		BN91-06496A	ASSY SHIELD;UE55D7000LSX*	1	SNA
.2	CIS1	0203-001586	TAPE-FILAMENT;#893,0.15,30,55,WHT,FILAME	0	SNA
.2	EC13	BN39-01471C	LEAD CONNECTOR;UN55D8000,Cable Connector	1	SA
.2	EC13	BN39-01479A	LEAD CONNECTOR;UE55C7000,Flat Connector	1	SA
.2	NW01	BN59-01130A	NETWORK;WiDT-10,BCM43236,Internal WiFi,U	1	SA
.2	CCMM1	BN73-00211B	SILICON/RUBBER;UN46B9000XFXZA,SILICON+PO	2	SNA
.2	FL06	BN96-17116K	ASSY CABLE P-FFC;UE55C8000,FFC,425mm,51P	1	SA
.2	SP01A	BN96-18089B	ASSY SPEAKER P;6ohm,4pin,15W,7000/8000 5	1	SA
1		BN91-06691A	ASSY LCM-AMLCD VD;BN95-00440A,BN44-00428	1	SNA
.2	M-P	6001-002653	SCREW-MACHINE;BH,+,M3,L6,ZPC(WHT),SWRCH1	5	SA

Exploded Views and Parts List

Level	Loc.	Part Code	Description & Specification	Qty.	SA/SNA
.2	P001A	BN44-00428B	DC VSS-LED TV PD BD;PD55B2_BHS,PD55B2_BH	1	SA
.2		BN68-03542E	LABEL-01,TV POP;5500,PET,T0.1,100,100,Wh	1	SNA
.2	PANEL	BN95-00440A	PRODUCT LCD;LTJ550HQ02-V,8bits,55inch,16	1	SA
...3	M-P	6001-002653	SCREW-MACHINE;BH,+,M3,L6,ZPC(WHT),SWRCH1	4	SA
...3		6001-002673	SCREW-MACHINE;CH,+,M3.0,L4.0,Ni PLT,SWRC	12	SNA
...3		6001-002685	SCREW-MACHINE;CH,+,M3.0,L2.0,Cr 3+ Red,S	30	SNA
...3		BN02-00039A	TAPE PET-MASKING;#8170,PET,110,23,Black	4	SNA
...3	M0131	BN63-03541A	GASKET;Mobius,Conductive Fabric,13,5,7,G	4	SNA
...3		BN68-02471A	LABEL-STICKER;WW,Art Paper,80,40,AV	1	SNA
...3		BN74-00053A	TAPE-PROTECTION;T460BE1-FB,T550BE1-FB,3M	5	SNA
...3		BN90-03103A	ASSY MISC-BLU;LTJ550HQ02-V,7/8K 55" LCD	1	SNA
...4		6001-002675	SCREW-MACHINE;CH,+,M2.0,L4.0,Ni PLT,SWRC	18	SA
...4		BN02-00052A	TAPE ETC-GAP;SNB,TI-SHF050W,0.05,2.7,10	4	SNA
...4		BN61-07382A	HOLDER-SHEET;SNB 40/46/55,SUS416,0.2,32,	5	SNA
...4		BN63-08100A	SHEET-DBEF;55" 7K,8K, DBEF D2 400,3904	1	SNA
...4		BN63-08101A	SHEET-DIFFUSER;55" 7K,8K PTR883,300um,12	1	SNA
...4		BN63-08102A	SHEET-PRISM-H;55" 7K8K, UTE34-10T,300um,	1	SNA
...4		BN63-08258A	SHEET-REFLECTOR;55" 8K, SLP7-85R,350um,1	1	SNA
...4		BN96-16621A	ASSY MISC P-LED BAR L;55" 7K,8K_Left,L/D	1	SNA
...4		BN96-16622A	ASSY MISC P-LED BAR R;55" 7K,8K_Right,L/	1	SNA
...4		BN96-16637A	ASSY MISC P-LGP LED;SNB 55" 7K,8K PMMA,L	1	SNA
....5		BN61-07283A	LGP-LED;SNB 55" 7K,8K PMMA,Lenticular,3T	1	SNA
...4		BN96-16657A	ASSY MISC P-CHASSIS BOTTOM;SNB 7K,8K 55"	1	SNA
....5		6001-002617	SCREW-MACHINE;CH,+,M3,L4,Ni_PLT (White),	8	SNA
....5		BN02-00034A	TAPE DOUBLE FACE-B;SNB 55",SK2100HE,0.05	1	SNA
....5		BN02-00035A	TAPE DOUBLE FACE-A;SNB 40", 55",SK2100HE	1	SNA
....5		BN02-00048A	TAPE PET-HOLE;SNB 40",46",55",D263-100H,	3	SNA
....5		BN39-01438A	LEAD CONNECTOR-LED L;55" 7K,8K wire-harn	1	SNA
....5		BN39-01439A	LEAD CONNECTOR-LED R;55" 7K,8K wire-harn	1	SNA
....5		BN60-00373A	SPACER-PE-FOAM;SNB 55",TI-SHF050,15,BLK,	1	SNA
....5		BN61-07318A	HOLDER-WIRE;SNB 40/46/55,SILICON RUBBER,	1	SNA
....5		BN61-07424A	BRACKET-WALL MOUNT;NNB 32/40/46/55,SPCC,	4	SNA
....5		BN61-07432A	HOLDER-LGP;SNB,EGI,3.0,3.9	2	SNA
....5		BN62-00131A	INSULATION-S-PCB L;SNB 55",D263-100H,0.1	1	SNA
....5		BN62-00132A	INSULATION-S-PCB R;SNB 55",D263-100H,0.1	1	SNA
....5		BN62-00147A	INSULATION-POWER;SNB 55",DFR117ECO430 +	1	SNA
....5		BN62-00148A	INSULATION-FFC;SNB 40/46/55,D263-100H,0.	1	SNA
....5	CC02	BN64-01617A	CHASSIS-BOTTOM;SNB 55",AL 3104,1.0,1220.	1	SNA
....5		BN74-00160A	TAPE-HOLE;SNB 40/46/55,D263-100H,12*70*0	2	SNA
....5		BN74-00161A	TAPE-WIRE;SNB 40/46/55,D263-100H,20*30*0	2	SNA

Level	Loc.	Part Code	Description & Specification	Qty.	SA/SNA
...5		BN74-00166A	TAPE-REFLECTOR;SNB 55",SK2100HE,537.5*4.	4	SNA
...4		BN96-16661A	ASSY FRAME P-MOLD MIDDLE U;SNB 7K,8K 55"	1	SNA
...5		BN60-00372A	SPACER-PET-B;SNB 55",SB00 + SK2100NJ,1.7	1	SNA
...5		BN61-07184A	FRAME-MOLD MIDDLE-U;SNB 55",PC+GF,6.4,12	1	SNA
...4		BN96-16662A	ASSY FRAME P-MOLD MIDDLE D;SNB 7K,8K 55"	1	SNA
...5		BN02-00050A	TAPE DOUBLE FACE;SNB 55",SK2100HE,0.05,2	2	SNA
...5		BN60-00287A	SPACER-MIDDLE UD;SNB 55",SI(SH0140U)0.2T	2	SNA
...5		BN60-00291A	SPACER-MIDDLE UD-B;SNB 46" 55",SI(SH0140	2	SNA
...5		BN60-00369A	SPACER-PET-A;SNB 55",SB00 + SK2100NJ,1.7	2	SNA
...5		BN61-07185A	FRAME-MOLD MIDDLE-D;SNB 55",PC+GF,6.4,12	1	SNA
...4		BN96-16671A	ASSY FRAME P-MOLD MIDDLE LR;SNB 7K,8K 55	2	SNA
...5		BN60-00283A	SPACER-MIDDLE LR;SNB 55",SI(SH0140U)0.2T	2	SNA
...5		BN60-00286A	SPACER-PANEL;SNB 55",SI(SH0140U)0.4T + A	2	SNA
...5		BN61-07186A	FRAME-MOLD MIDDLE-LR;SNB 55",PC+GF,6.6,6	2	SNA
..3		BN96-16492A	ASSY OPEN CELL;LSJ550HQ01,8bit,55inch,16	1	SNA
..3	TCON	BN96-16493A	ASSY PCB P-T-CON;LSJ550HQ01-S,FR4,SUWON,	1	SA
..3		BN96-16653A	ASSY MISC P-CHASSIS TOP;SNB 7K 55",BN64-	1	SNA
...4		BN63-07229J	COVER-SHEET;rose70",urethane,T0.052,W7mm	4	SNA
...4	AC157	BN64-01616A	CHASSIS-TOP;SNB 55",SUS416,0.5,1221.6,69	1	SNA
..3		BN96-16675A	ASSY COVER P-SOURCE;SNB 7K,8K 55"	1	SNA
...4		BN60-00173A	SPACER-SOURCE;T460FAE1-FA,W/S CR POM TAP	4	SNA
...4		BN61-02932N	BRACKET-STOPPER NUT;LED TV,M3*D7*L6.6,L6	4	SNA
...4		BN61-07359A	BRACKET-STOPPER NUT;LED TV D6500,D6*L5.5	2	SNA
...4		BN61-07577A	BRACKET-STAND-OFF;H7,B5,H 7,B 5,HEX 'M',	1	SNA
...4		BN62-00137A	INSULATION-S-COVER L;SNB 55",D263-100H,0	1	SNA
...4		BN62-00138A	INSULATION-S-COVER R;SNB 55",D263-100H,0	1	SNA
...4		BN63-08095A	COVER-SOURCE;SNB 55",EGI-SECC,0.8T,1192.	1	SNA
..3	SB05A	BN96-16858A	ASSY BRACKET P-STAND LINK;UD7000 40/46/5	1	SNA
...4		BN61-02932L	BRACKET-STOPPER NUT;LED TV,M3*L7.5*D5.5,	3	SNA
...4		BN61-02932M	BRACKET-STOPPER NUT;LED TV D6500,M4*D6*L	4	SNA
...4	CB18	BN61-07110A	BRACKET-STAND LINK;40UD7000,EGI-SECC,T2.	1	SNA
...4		BN63-08150A	SHEET-PROTECTOR LINK;UC 6.5K 7K 8K 37/40	1	SNA
...4	CD101	BN65-00005A	CLAMP-WIRE;55UD6500,NYLON6.6	5	SNA
1		BN92-07598D	ASSY BOX;UD7000 55	1	SNA
.2		BH68-00662A	LABEL BOX-00;ALL MODEL,MOJO 90G,60,110,W	1	SNA
.2		BN69-06087D	BOX-01,SET;55UD7000,CB,C-03,DW3,YEL,W152	1	SNA
.2		BN69-06463A	BOX-SET,IN;55UD6400,CB,C-01,DW1, YEL,W18	1	SNA
1		BN92-07610A	ASSY P/MATERIAL;UD7000 55	1	SNA
.2	T0214	0203-001269	TAPE-OPP MASKING;#301,T0.06,W75,L50000,N	1	SNA
.2		6902-000379	BAG AIR;LDPE,T0.2,W1000,L1800,TRP,1260.0	1	SNA

Exploded Views and Parts List

Level	Loc.	Part Code	Description & Specification	Qty.	SA/SNA
.2	T0524	6902-000960	BAG PE;NITRON,T0.015/T0.5,W1600,L1100,TR	1	SNA
.2		6902-001189	BAG SHEET;HDPE/NITRON,T0.015/T1.0,W500,L	1	SNA
.2	M040	6922-000003	BAND PP;PP,T0.8,W18,L1650M,TRP,DA69-9014	1	SNA
.2	T0214	AA61-20285C	HOLDER-BOX;CORAL,PP,BLACK,HB,17.5g	4	SNA
.2		BN68-02422B	LABEL-WARNING SHIPPING;ALL MODEL,A/P 100	1	SNA
.2		BN69-00257D	PACKING-PAD;PAPER,CB-SW4,1400,800,YEL,37	1	SNA
.2		BN69-00257N	PACKING-SHEET PALLET;-;CB,PEP110/HD,-,11	1	SNA
.2		BN69-03982C	PAD PACKING-EDGE;LB6T,PAPER,6,120,1690,-	1	SNA
.2		BN69-05184Q	PALLET;55D7000,WOOD,1535,850,135,16000,2	1	SNA
.2		BN69-05418A	PACKING-BAG WRAPPING;-;LDPE,-,0,019,500,	5	SNA
.2		BN69-05780A	CUSHION-01,SET;55UD7000,EPS,M60+M40	1	SNA
.2		BN69-05791A	CUSHION-FRONT;55UD7000,EPS	1	SNA
.2		BN74-00008D	TAPE-OPP MASKING;OPP,T0.05,W75,L800M,CLR	2	SNA
1	ACCE1	BN92-07747H	ASSY ACCESSORY;UE40D7000LSXXN	1	SNA
.2	ACCE2	BN96-17608F	ASSY ACCESSORY-CABEL;UE40D7000LSXUA	1	SNA
..3		3709-001663	CONNECTOR-CARD EDGE;64P,0.5mm,MALE,PCMCI	1	SA
..3	EC11	3903-000525	CBF-POWER CORD;DT,CEE,LP-21L,250V,2.5A,B	1	SA
..3	T0120	4301-000121	BATTERY-MN;1.5V,R03,10.5x44.5m,HOLDER,7.	2	SNA
..3		6902-001340	BAG PE;LDPE,T0.05,W250,L350,TRP,RECYCLE	1	SNA
..3	REMO2	AA59-00431A	REMOCON;TM1180,49,3V,EUROPE iDTV,7000	1	SA
..3	EC03	BN39-01154A	CBF SIGNAL;Chelsea Slim,24P/20P,30AWG,20	2	SA
..3	EC03	BN39-01154W	CBF SIGNAL;COMPONENT GENDER / UD8000,2P,	1	SA
..3		BN61-05491A	HOLDER-WIRE STAND;UB7000 46inch,NYRON	1	SNA
..3	M9889	BN63-01798B	CLOTH-CLEAN;cloth,180,200,sea blue,ToC	1	SNA
..3	EH03A	BN96-18153A	ASSY HOLDER P-RING;11 LED-TV	1	SNA
...4	AH365	BN61-07295A	HOLDER-RING;40UD5500,ABS,BK0007,HB	4	SNA
...4		BN69-04419E	PACKING-BAG PE;LB650,LDPE,70,90,6003-000	1	SNA
.2	ACCE4	BN96-17608K	ASSY ACCESSORY-MANUAL;UE40D7000LSXXN	1	SNA
..3		6902-000476	BAG PE;LDPE,T0.03,W250,L350,TRP,Recycle,	1	SNA
..3	T0527	BN68-00513A	LABEL-E,PASS;ALL MODEL,YUPO(110G),50X15,	1	SNA
..3		BN68-00514K	MANUAL FLYER-WARRANTY CARD;comm,Samsung,	1	SNA
..3		BN68-03019A	LEAFLET-SAFETY GUIDE;ALL,SAMSUNG,28LENGS	1	SNA
..3		BN68-03438G	MANUAL USERS;D7000,SAMSUNG,Eng/Fre/Ger/D	1	SNA
..3		BN68-03533A	MANUAL FLYER-01,3D GLASSES GUIDE;All,SAM	1	SNA
..3		BN68-03602F	MANUAL FLYER-01,SAMART TV GUIDE;UD5500~,	1	SNA
.2	SG01A	BN96-18234A	ASSY ACCESSORY 3D GLASSES;SSG-3100GB,1ea	1	SA
..3		BN81-06402A	A/S-GLASSES;SSG-3100GB,LC LENS	1	SNA
..3		BN81-06590A	A/S-COVER TEMPLE;SSG-3100GB,PA12-TR90,CO	1	SNA
..3		BN81-06591A	A/S-COVER BATTERY;SSG-3100GB,PC + ABS,CO	1	SNA
1		BN92-07972E	ASSY LABEL;UE55D7000LSXXC	1	SNA

Level	Loc.	Part Code	Description & Specification	Qty.	SA/SNA
.2		BN68-03652E	LABEL-STICKER;UD7X,T0.05,60,120,Energy R	1	SNA
.2	T0527	BP68-00052B	LABEL-00,RATING;CCTV,TETRON PAPER,T0.05,	1	SNA