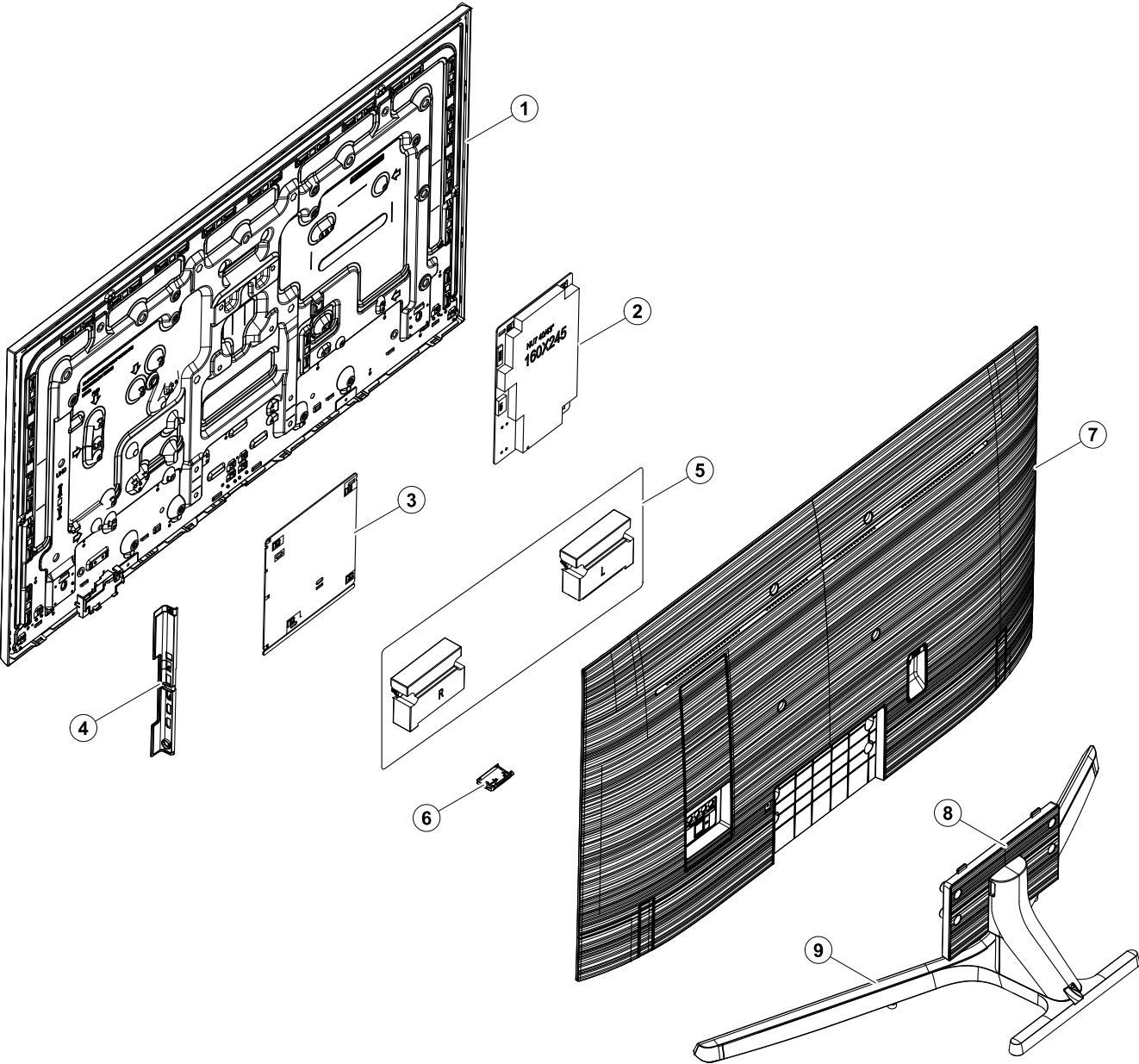


# 1. Exploded View & Part List

## Exploded View



**Parts List**

No.	Lvl.	Loc.	Material Code	Description & Specification	SNA	Qty.
1	2	PANEL	BN95-04753H	PRODUCT LCD-AUO; CY-NN050HGAVBV/H,NU7400,	SA	1
2	2		BN44-00932Q	DC VSS-PD BOARD; L55E7_RHS,AC/DC,164W,AC1	SA	1
3	2	M0014	BN94-14152B	ASSY PCB MAIN; URU7400G	SA	1
4	3		BN63-18112B	COVER-TERMINAL SIDE; 65URU7100H,PC+ABS,V-	SA	1
5	2		BN96-45632J	ASSY SPEAKER P-FRONT; TV-SPK,RU7100,6ohm,	SA	1
6	2		BN96-48730A	ASSY BOARD P-FUNCTION TACT; Y19 VNB Carbo	SA	1
7	2	R001A	BN96-45664S	ASSY COVER P-REAR; 50URU7400G,PC+ABS+ED20	SA	1
8	2	SG03A	BN96-46048A	ASSY STAND P-GUIDE; 55UNU7400H,W/W,PC+ABS	SA	1
9	2		BN96-49142A	ASSY STAND P-BRACKET BOTTOM; 50URU7400H,H	SA	1

## 2. Electrical Parts List

Level	Loc.	Part Code	Description & Specification	Qty.	SA/SNA
			<b>UE50RU7405UXXC (AD02)</b>		
1	S001A	BN90-10426L	ASSY STAND;URU7400G	1	SNA
.2	SG03A	BN96-46048A	ASSY STAND P-GUIDE;55UNU7400H,W/W,PC+ABS	1	SA
..3	SG03	BN61-15595A	GUIDE-STAND;55UNU7400H,PC+ABS+GF20%,V-1,	1	SNA
...4		0103-009946	RESIN PC ABS;HM-1200,BLACK,BK0007,V-1,GF	565	SNA
..3		BN63-17525A	COVER-STAND NECK REAR;55UNU8000F,HIPS,HB	1	SNA
...4		0103-004631	RESIN HIPS;HF-1690H/K21294,K21294,BK0007	70	SNA
..3		BN96-49298A	ASSY ACCESSORY-SCREW;65QRQ60T,ALL,W/W,60	2	SNA
...4	SCREW	6003-001907	SCREW-TAPTYPE;BH,+,S,M4,L14,ZPC(BLK),SWR	8	SA
...4		6902-003076	BAG SCREW;LDPE,T0.05,W70,L90,TRP,RECYCLE	2	SNA
.2		BN96-49142A	ASSY STAND P-BRACKET BOTTOM;50URU7400H,H	1	SA
..3	SCREW	6003-001119	SCREW-TAPTYPE;FH,+,S,M4,L10,ZPC(BLK),SWR	8	SA
..3	SCREW	6003-001239	SCREW-TAPTYPE;FH,+,B,M4,L10,ZPC(WHT),SWR	6	SA
..3		6902-002934	BAG PE;HDPE/PE FOAM,T0.015/T1,W300,L400,	2	SNA
..3		6902-002941	BAG PE;HDPE/PE FOAM,T0.015/T1,W80,L500,W	2	SNA
..3		BN61-15615A	BRACKET-STAND BOTTOM FRONT;55UNU7400H,CR	1	SNA
..3		BN63-17579A	COVER-STAND TOP;49UNU7400H,ABS,HB,BK0007	1	SNA
...4		0103-004609	RESIN ABS;HF-0680U,K21294,BK0007,HB,High	160	SNA
..3		BN63-18185A	COVER-STAND DECORATION;55URU7400G,PC+ABS	1	SNA
...4		0103-011389	RESIN PC ABS;NH-1210/G34051,Titan Gray,G	185	SNA
..3	RF01	BN67-00398L	FOOT-RUBBER;UH6K,RUBBER,GRAY,T2,,	6	SNA
..3		BN96-46806A	ASSY STAND P-BRACKET BOTTOM;50UNU7400H,H	1	SNA
...4	SCREW	6003-001119	SCREW-TAPTYPE;FH,+,S,M4,L10,ZPC(BLK),SWR	4	SA
...4		BN61-15586A	BRACKET-STAND BOTTOM REAR;55UNU7400H,HGI	1	SNA
...4		BN61-15646A	BRACKET-STAND BOTTOM;49UNU7400H,HGI,T4,N	1	SNA
1		BN90-10952C	ASSY W/I;URU7400G	1	SNA
.2		BN81-08159Z	A/S PART SET-ELEC W/I;LED TV ELEC spec-C	1	SNA
.2		BN81-17115P	A/S PART SET-MECH W/I;URU7400G,U50RG*	1	SNA
1	R001A	BN90-10956R	ASSY COVER REAR;URU7400G	1	SNA
.2	R001A	BN96-45664S	ASSY COVER P-REAR;50URU7400G,PC+ABS+ED20	1	SA
..3	R001	BN63-17500M	COVER-REAR;50URU7100H,PC+ABS+ED20%,V-1,B	1	SNA
...4		0103-010818	RESIN PC ABS;CM20G/BK00749,BLACK,BK0007,	2910	SNA
..3		BN64-04173C	INLAY-TERMINAL SIDE;55URU7100H,PET,T0.12	1	SNA
..3		BN68-03518W	LABEL-STICKER CI SLOT;43UNU7090P,PET,T0.	1	SNA
..3		BN68-07835Q	LABEL-STICKER LICENSE;65QNQ8CB,PET,T0.12	1	SNA
1	M0017	BN91-20871L	ASSY CHASSIS;URU7400G	1	SNA
.2	M0014	BN94-14152B	ASSY PCB MAIN;URU7400G	1	SA
..3		0202-001608	SOLDER-WIRE FLUX;LFC7-107,D0.8,99.3Sn/0.	0	SNA

Exploded Views and Parts List

Level	Loc.	Part Code	Description & Specification	Qty.	SA/SNA
...3		BN62-00834D	HEAT SINK-PS;Muse-L Built-In,A1050,T1.5,	1	SNA
...3		BN63-18112B	COVER-TERMINAL SIDE;65URU7100H,PC+ABS,V-	1	SA
...4		0103-005041	RESIN PC ABS;FR3200TV/901408,Black,BK000	18	SNA
...3		BN97-00029R	ASSY DRM;Muse-L Built-In,DVB,NagSam, MAC	1	SNA
...4		BN46-00109H	KEY CODE-CERTIFICATION;MAC,TV/AV,General	1	SNA
...4		BN46-00110P	KEY CODE-CERTIFICATION;MIRACAST(HDCP2.2)	1	SNA
...4		BN46-00969A	KEY CODE;Muse-L Built-In,CI PLUS,Samsung	1	SNA
...4		BN46-00971A	KEY CODE;Muse-L Built-In,Nagra CSC Data,	1	SNA
...3		BN97-00030F	ASSY MICOM;TCON DATA,RU7K,50" AUO	1	SNA
...4		BN46-00993A	S/W MICOM;50L6AU5NR,RU7K	1	SNA
...3		BN97-15650G	ASSY SMD;URU7400G	1	SNA
...4		0202-001976	SOLDER-CREAM;LST-309M-K21,D20~38um,96.5S	5	SNA
...4	DS01A	0401-001056	DIODE-SWITCHING;MMBD4148SE,100V,200mA,SO	1	SA
...4		0403-001783	DIODE-ZENER;BZB84-C6V2,5.8~6.6V,300mW,SO	3	SNA
...4		0403-002014	DIODE-ZENER;KDZ16B,16.2~18.3V,1000mW,SOD	1	SNA
...4		0404-001404	DIODE-SCHOTTKY;BAT721C,40V,200mA,SOT-23,	2	SA
...4		0404-001640	DIODE-SCHOTTKY;SS1060HEWS,60V,1000mA,SOD	2	SA
...4		0404-001881	DIODE-SCHOTTKY;SS3040-HE,40V,3000mA,SOD-	3	SA
...4		0404-001953	DIODE-SCHOTTKY;MBRA340F-HAF,40V,3000mA,S	3	SA
...4		0404-001976	DIODE-SCHOTTKY;SV540,40V,5000mA,TO-277,T	1	SA
...4		0406-001200	DIODE-TVS;RClamp0504F,6V,1MAV,TP	4	SA
...4		0406-001290	DIODE-TVS;3.0SMCJ20A,22.2V,24.5V,5MAV,30	1	SNA
...4		0406-001718	DIODE-TVS;SMF36A,40V,44.2V,3.8MAV,1.25VP	1	SA
...4		0406-001778	DIODE-TVS;PUSB3FR4,6V,9V,0.2MAV,0.7VPA,0	1	SA
...4		0406-001786	DIODE-TVS;PJEC5V0V6TM,5V,7V,8V,0.1MAV,9V	1	SA
...4		0406-001810	DIODE-TVS;uClamp2461P,27V,32V,36V,23000M	1	SA
...4		0501-000445	TR-SMALL SIGNAL;KTC3875S-Y,NPN,150mW,SOT	4	SC
...4		0501-000462	TR-SMALL SIGNAL;MMBT2907A,PNP,350mW,SOT-	2	SA
...4		0504-000126	TR-DIGITAL;KSR1101,NPN,200mW,4.7K/4.7K,S	1	SA
...4		0505-002560	FET-SILICON;AO6415,P,20V,-3.3A,0.15ohm,1	1	SA
...4		0505-002598	FET-SILICON;AP2317GN,P,20V,-4.2A,0.052oh	1	SA
...4		0505-002660	FET-SILICON;Si2308BDS,N,60V,2.3A,0.156oh	1	SA
...4		0505-002790	FET-SILICON;ZXMP6A17G,P,60V,-4.3A,0.190o	1	SA
...4		0505-002893	FET-SILICON;AO4801AS,P,30V,-5A,2W,SOIC-8	1	SA
...4		0505-003205	FET-SILICON;DMG4435SSS-13,P,30V,-7.3A,1.	1	SA
...4		0505-003391	FET-SILICON;AOD2922,N,100V,8A,140Mohm,18	1	SA
...4		0505-003397	FET-SILICON;2N7002K,N,60V,0.38A,1.19ohm,	2	SA
...4		0505-003752	FET-SILICON;PJL9409,P,30V,50A,0.035ohm,3	1	SNA
...4		0801-003603	IC-CMOS LOGIC;MC74LCX244MN2TWG,Octal buf	1	SA
...4		1103-001584	IC-EEPROM;M24512-DFMN6TP,512Kbit,64K x 8	1	SNA

Level	Loc.	Part Code	Description & Specification	Qty.	SA/SNA
...4		1105-002751	IC-DDR4 SDRAM;K4F2E3S4HM-MGCJ,LPDDR4-SDR	1	SA
...4		1105-002853	IC-DDR3 SDRAM;K4B4G1646E-BCNB,DDR3 2133,	1	SA
...4		1201-004117	IC-AUDIO AMP;TAS5749M,QFP,48P,7x7x1mm,DU	1	SA
...4		1201-004217	IC-OP AMP;TLV9062,SOP,ST,8P,DUAL,PLASTIC	1	SA
...4		1203-008777	IC-DC/DC CONVERTER;TPS563201,SOT-23,6,1.	2	SA
...4		1203-008918	IC-DC/DC CONVERTER;TPS65235,WQFN,20P,3x3	1	SA
...4		1203-009067	IC-DC/DC CONVERTER;TPS564201,SOT-23,6P,3	1	SA
...4		1203-009186	IC-POS.ADJUST REG.;TLV759P01PDRVR,TP,6P	2	SA
...4		1203-009188	IC-VOL. DETECTOR;G623F11U,TP,8P,4.9x6x1.	1	SA
...4		1203-009196	IC-DC/DC CONVERTER;TPS565201,SOT-23-THIN	1	SA
...4		1203-009206	IC-DC/DC CONVERTER;AOZ2255LQI-30,QFN-22L	1	SA
...4		1203-009208	IC-DC/DC CONVERTER;VPMSSM,QFN,72P,8x8x0.	1	SA
...4		1204-003779	IC-DECODER;SDP1804,FCBGA,794P,27x27x1.79	1	SA
...4		1205-004692	IC-SWITCH;TPS2069CDBVR,SOT-23,5P,2.9x2.8	2	SA
...4		1205-005519	IC-SWITCH;ET20163,SOT23-5,5P,2.95x3.02mm	1	SA
...4		1205-005749	IC-SWITCH;G2897KD1U,TDFN2X3-14,14P,2x3mm	1	SA
...4		1404-001731	THERMISTOR-NTC;33Kohm,4050K,1MWC,TP,1.6x	1	SNA
...4		1405-001232	VARISTOR;6.4V,5.6VDC,30A,1608,TP,19V,200	1	SNA
...4		1405-001271	VARISTOR;35V,20VDC,5A,1005,TP,100V,10pF	18	SA
...4		1405-001306	VARISTOR;11VDC,45A,1608,TP,50V,40pF	1	SA
...4		1405-001381	VARISTOR;11V,8VDC,30A,1608,TP,25V,500pF	3	SA
...4		1405-001382	VARISTOR;24.5V,16VDC,120A,2012,TP,42V,40	2	SA
...4		2007-000052	R-CHIP;10Kohm,1%,1/10W,TP,1608	1	SA
...4		2007-000066	R-CHIP;20Kohm,1%,1/10W,TP,1608	1	SNA
...4		2007-000070	R-CHIP;0ohm,5%,1/10W,TP,1608,T0.45	11	SA
...4		2007-000138	R-CHIP;100ohm,5%,1/16W,TP,1005,T0.35	1	SA
...4		2007-000141	R-CHIP;2.2Kohm,5%,1/16W,TP,1005,T0.35	1	SNA
...4		2007-000171	R-CHIP;0ohm,5%,1/16W,TP,1005,T0.35	31	SNA
...4		2007-000772	R-CHIP;33Kohm,1%,1/10W,TP,1608	1	SA
...4		2007-000779	R-CHIP;33ohm,1%,1/10W,TP,1608	8	SA
...4		2007-000816	R-CHIP;390Kohm,1%,1/10W,TP,1608	1	SNA
...4		2007-000932	R-CHIP;470ohm,5%,1/16W,TP,1005,T0.35	3	SNA
...4		2007-000979	R-CHIP;5.6Kohm,1%,1/10W,TP,1608	1	SA
...4		2007-001125	R-CHIP;68Kohm,1%,1/10W,TP,1608	1	SA
...4		2007-001139	R-CHIP;7.5Kohm,1%,1/10W,TP,1608	2	SA
...4		2007-001288	R-CHIP;18ohm,5%,1/16W,TP,1005,T0.35	4	SA
...4		2007-001292	R-CHIP;33ohm,5%,1/16W,TP,1005,T0.35	3	SNA
...4		2007-001298	R-CHIP;51ohm,5%,1/16W,TP,1005,T0.35	5	SNA
...4		2007-002899	R-CHIP;10ohm,1%,1/10W,TP,1608	20	SA
...4		2007-002906	R-CHIP;200Kohm,1%,1/10W,TP,1608	1	SA

## Exploded Views and Parts List

Level	Loc.	Part Code	Description & Specification	Qty.	SA/SNA
...4		2007-007107	R-CHIP;100Kohm,1%,1/16W,TP,1005,T0.35,-	13	SNA
...4		2007-007132	R-CHIP;15Kohm,1%,1/16W,TP,1005,T0.35	3	SA
...4		2007-007136	R-CHIP;4.7Kohm,1%,1/16W,TP,1005,T0.35	44	SNA
...4		2007-007137	R-CHIP;1.2Kohm,1%,1/16W,TP,1005,T0.35	4	SA
...4		2007-007138	R-CHIP;27Kohm,1%,1/16W,TP,1005,T0.35	2	SA
...4		2007-007139	R-CHIP;47Kohm,1%,1/16W,TP,1005,T0.35	8	SA
...4		2007-007142	R-CHIP;10Kohm,1%,1/16W,TP,1005,T0.35	36	SNA
...4		2007-007231	R-CHIP;110Kohm,1%,1/10W,TP,1608	1	SA
...4		2007-007306	R-CHIP;100ohm,1%,1/16W,TP,1005,T0.35	16	SNA
...4		2007-007308	R-CHIP;33Kohm,1%,1/16W,TP,1005,T0.35	1	SA
...4		2007-007309	R-CHIP;12Kohm,1%,1/16W,TP,1005,T0.35	2	SA
...4		2007-007310	R-CHIP;8.2Kohm,1%,1/16W,TP,1005,T0.35	2	SA
...4		2007-007311	R-CHIP;22Kohm,1%,1/16W,TP,1005,T0.35	2	SA
...4		2007-007312	R-CHIP;20Kohm,1%,1/16W,TP,1005,T0.35	10	SA
...4		2007-007313	R-CHIP;6.8Kohm,1%,1/16W,TP,1005,T0.35	5	SA
...4		2007-007316	R-CHIP;3.3Kohm,1%,1/16W,TP,1005,T0.35	1	SA
...4		2007-007318	R-CHIP;1Kohm,1%,1/16W,TP,1005,T0.35	24	SNA
...4		2007-007517	R-CHIP;240ohm,1%,1/16W,TP,1005,T0.35	4	SNA
...4		2007-007520	R-CHIP;20ohm,1%,1/10W,TP,1608	2	SA
...4		2007-007528	R-CHIP;1.5Kohm,1%,1/16W,TP,1005,T0.35	1	SA
...4		2007-007588	R-CHIP;1.8Kohm,1%,1/16W,TP,1005,T0.3	1	SA
...4		2007-007643	R-CHIP;2Mohm,1%,1/10W,TP,1608	1	SA
...4		2007-007736	R-CHIP;510Kohm,1%,1/10W,TP,1608	1	SA
...4		2007-007766	R-CHIP;2Kohm,1%,1/16W,TP,1005,T0.35	18	SNA
...4		2007-007767	R-CHIP;200ohm,1%,1/16W,TP,1005	4	SA
...4		2007-007791	R-CHIP;9.1Kohm,1%,1/16W,TP,1005,T0.35	1	SNA
...4		2007-007798	R-CHIP;10ohm,1%,1/16W,TP,1005,T0.35	11	SA
...4		2007-007992	R-CHIP;1ohm,1%,1/10W,TP,1608	4	SA
...4		2007-008015	R-CHIP;75ohm,1%,1/16W,TP,1005,T0.35	6	SA
...4		2007-008026	R-CHIP;56ohm,1%,1/16W,TP,1005,T0.35	1	SA
...4		2007-008294	R-CHIP;33ohm,1%,1/16W,TP,1005,T0.35	18	SA
...4		2007-008298	R-CHIP;49.9ohm,1%,1/16W,TP,1005,T0.35	5	SA
...4		2007-008596	R-CHIP;0.1ohm,1%,1/4W,TP,3216	3	SC
...4		2007-009322	R-CHIP;1.3Kohm,1%,1/16W,TP,1005	1	SA
...4		2011-001261	R-NETWORK;33ohm,5%,1/16W,L,CHIP,8P,TP,2.	6	SA
...4		2011-001264	R-NETWORK;10ohm,5%,1/16W,L,CHIP,8P,TP,2.	9	SNA
...4		2011-001344	R-NETWORK;100ohm,5%,1/16W,L,CHIP,8P,TP,2	7	SA
...4		2011-001448	R-NETWORK;10ohm,5%,1/16W,L,4P,TP,1.0x1.0	1	SA
...4		2011-001587	R-NETWORK;100ohm,5%,1/16W,L,CHIP,4P,TP,1	1	SNA
...4	AD480	2203-000233	C-CER,CHIP;0.1nF,5%,50V,COG,TP,1005,T0.5	5	SA

Level	Loc.	Part Code	Description & Specification	Qty.	SA/SNA
...4	AD480	2203-000278	C-CER,CHIP;0.01nF,0.5pF,50V,C0G,TP,1005	2	SA
...4	AD480	2203-000359	C-CER,CHIP;0.15nF,5%,50V,C0G,TP,1005,T0.	5	SA
...4	AD480	2203-000425	C-CER,CHIP;0.018nF,5%,50V,C0G,TP,1005	1	SA
...4	AD480	2203-000438	C-CER,CHIP;1nF,10%,50V,X7R,TP,1005	6	SA
...4	AD480	2203-000489	C-CER,CHIP;2.2nF,10%,50V,X7R,TP,1005	2	SA
...4	AD480	2203-000812	C-CER,CHIP;0.033nF,5%,50V,C0G,TP,1005	7	SA
...4	AD480	2203-000940	C-CER,CHIP;0.47nF,10%,50V,X7R,TP,1005,T0	2	SA
...4	AD480	2203-001072	C-CER,CHIP;0.056nF,5%,50V,C0G,TP,1005	1	SA
...4	AD480	2203-001428	C-CER,CHIP;470nF,10%,50V,X7R,TP,2012	1	SNA
...4	AD480	2203-002285	C-CER,CHIP;10nF,10%,50V,X7R,TP,1005	8	SNA
...4	AD480	2203-002525	C-CER,CHIP;0.56nF,10%,50V,X7R,TP,1005	1	SNA
...4	AD480	2203-005057	C-CER,CHIP;0.0082nF,0.25pF,50V,C0G,TP,10	2	SA
...4	AD480	2203-005083	C-CER,CHIP;220nF,10%,50V,X7R,TP,1608,T0.	6	SA
...4	AD480	2203-005249	C-CER,CHIP;100nF,10%,50V,X7R,TP,1608	5	SNA
...4	AD480	2203-005642	C-CER,CHIP;0.22nF,5%,50V,C0G,TP,1005,T0.	3	SNA
...4	AD480	2203-005968	C-CER,CHIP;4.7nF,10%,50V,X7R,TP,1005,T0.	2	SNA
...4	AD480	2203-006048	C-CER,CHIP;100nF,10%,10V,X7R,TP,1005,T0.	3	SA
...4	AD480	2203-006126	C-CER,CHIP;47nF,10%,16V,X7R,TP,1005,T0.5	3	SNA
...4	AD480	2203-006158	C-CER,CHIP;100nF,10%,16V,X7R,TP,1005,T0.	100	SNA
...4	AD480	2203-006562	C-CER,CHIP;1000nF,10%,10V,X5R,TP,1005,T0	19	SNA
...4	AD480	2203-006698	C-CER,CHIP;1000nF,10%,25V,X7R,TP,1608,T0	9	SA
...4	AD480	2203-006838	C-CER,CHIP;2200nF,10%,6.3V,X5R,TP,1005	2	SA
...4	AD480	2203-006844	C-CER,CHIP;470nF,10%,10V,X5R,TP,1005	1	SA
...4	AD480	2203-007176	C-CER,CHIP;10000nF,10%,16V,X5R,TP,2012,T	13	SNA
...4	AD480	2203-007240	C-CER,CHIP;22000nF,20%,6.3V,X5R,TP,1608,	49	SA
...4	AD480	2203-007269	C-CER,CHIP;22000nF,20%,10V,X5R,TP,2012(2	14	SA
...4	AD480	2203-007271	C-CER,CHIP;2200nF,10%,10V,X5R,TP,1005,T0	9	SNA
...4	AD480	2203-007306	C-CER,CHIP;10000nF,10%,25V,X5R,TP,2012,T	23	SNA
...4	AD480	2203-007393	C-CER,CHIP;4700nF,10%,10V,X5R,TP,1005,T0	24	SNA
...4	AD480	2203-007423	C-CER,CHIP;10000nF,10%,35V,X7R,TP,3216	4	SA
...4	AD480	2203-007544	C-CER,CHIP;100nF,10%,50V,X7R,TP,1005,T0.	13	SA
...4	AD480	2203-007795	C-CER,CHIP;10000nF,20%,10V,X5R,TP,1005,T	23	SA
...4	AD480	2203-007809	C-CER,CHIP;22nF,10%,50V,X7R,TP,1005,T0.5	1	SNA
...4	AD480	2203-008096	C-CER,CHIP;2200nF,10%,50V,X5R,TP,2012,1.	2	SA
...4	AD480	2203-008315	C-CER,CHIP;22000nF,20%,25V,X5R,TP,2012,T	18	SA
...4	AD480	2203-008412	C-CER,CHIP;4700nF,10%,50V,X5R,TP,2012,T1	1	SNA
...4		2402-001268	C-AL,SMD;100uF,20%,25V,WT,TP,8x6.3mm	1	SA
...4		2409-001240	C-ORGANIC,SMD;33uF,20%,25V,LR,TP,7343	1	SA
...4		2703-000213	INDUCTOR-SMD;470nH,10%,1.35Ohm,35mA,15,M	1	SA
...4		2703-002269	INDUCTOR-SMD;56nH,5%,1005,T0.5,1.4Ohm,15	7	SA

Exploded Views and Parts List

Level	Loc.	Part Code	Description & Specification	Qty.	SA/SNA
...4		2703-003747	INDUCTOR-SMD;22uH,20%,6060,0.135ohm,1300	2	SA
...4		2703-003862	INDUCTOR-SMD;10uH,20%,6060,0.065ohm,1900	5	SA
...4		2703-004724	INDUCTOR-SMD;8.2uH,20%,5050,T4,0.072Ohm,	4	SA
...4		2703-005191	INDUCTOR-SMD;1.5uH,20%,6060,T4.5,0.020Ohm	2	SA
...4		2703-005193	INDUCTOR-SMD;2.2uH,20%,6060,T4.5,0.024Oh	2	SA
...4		2703-005376	INDUCTOR-SMD;10uH,20%,10.7x10mm,T3.8,0.0	1	SA
...4		2703-005715	INDUCTOR-SMD;820nH,20%,11x10mm,T3.8,0.00	1	SNA
...4		2801-004021	CRYSTAL-SMD;24.576MHz,20ppm,28-AAN,12pF,	1	SA
...4		3301-001364	BEAD-SMD;1000ohm,1608,TP,1085ohm/108MHz,	2	SNA
...4		3301-002039	BEAD-SMD;26ohm,1608,TP	33	SA
...4		3601-001374	FUSE-SURFACE MOUNT;32V,5A,FAST-ACTING,PL	4	SA
...4		3601-001376	FUSE-SURFACE MOUNT;32V,3A,FAST-ACTING,Hi	1	SNA
...4		3701-001967	CONNECTOR-HDMI;19P,A,FEMALE,AU,0.5mm,BLK	3	SA
...4		3707-001123	CONNECTOR-OPTICAL;ANGLE,SPDIF,2.5PI	1	SA
...4		3708-003241	CONNECTOR-FPC/FFC/PIC;96P,0.5mm,SMD-A,AU	2	SNA
...4		3710-003908	CONNECTOR-SOCKET;64P,2R,0.5mm,SMD-S,AU,B	1	SA
...4	EH01	3711-007803	HEADER-BOARD TO CABLE;BOX,12P,1R,1.25mm,	1	SA
...4	EH01	3711-008131	HEADER-BOARD TO CABLE;BOX,4P,1R,2.5mm,AN	1	SA
...4	EH01	3711-008859	HEADER-BOARD TO CABLE;BOX,12P,2R,2mm,ANG	1	SA
...4		3722-003229	JACK-MODULAR;8P/8C,Y,STRAIGHT,NONE,AU,1P	1	SA
...4		3722-003457	JACK-USB;4P/1C,NI,BLK,ANGLE,A,2.0,13.1x1	2	SA
...4	JACK PIN	3722-003546	JACK-PIN;5P,NI/SN,BLU/GRN/RED/WHT/YEL,SM	1	SA
...4		6302-001376	GASKET-SMD;SMT Gasket,Sn/Cu plated PI-Fi	5	SNA
...4		BN40-00331B	TUNER-DTV AIR CABLE SAT;GT2S2-7B21,DVB-T	1	SA
...4		BN41-02703A	PCB-MAIN;Muse-L Built-In,FR-4,4L,T1.6,1,	1	SNA
...4		BN59-01313A	NETWORK-WLAN CLIENT;WCP731M,70x35x18.33m	1	SA
...4	CB07	BN61-13312B	BRACKET-SCREWLESS PCB;55KS8000,SK5,T0.3,	4	SNA
...4		BN97-00029N	ASSY MICOM;T-MSLDEUC,RU7.4K,KLM8G1GETF-B	1	SNA
...5		1107-002590	IC-EMMC;KLM8G1GETF-B041007,8Gbyte,64Gbx1	1	SNA
...4		BN97-00029V	ASSY MICOM;TCON F/W,Muse-L Built-In,W25Q	1	SNA
...5		1107-002339	IC-NOR FLASH;W25Q80DV,8Mbit,SOP,5.28x5.2	1	SNA
...5		BN46-00975A	S/W MICOM;Muse-L Built-In,TCON F/W	1	SNA
...4		BN97-00029W	ASSY MICOM;MLMICOM_INTV,Muse-L Built-In,	1	SNA
...5		1107-002226	IC-NOR FLASH;W25Q40CLSSIP,4Mbit,SOIC,8P,	1	SA
1		BN91-21295V	ASSY SHIELD;URU7400G	1	SNA
.2		BN02-00102B	TAPE-SINGLE FACE;OPP,T0.15,W25,L50M,WHIT	0	SNA
.2	EC13	BN39-02217A	LEAD CONNECTOR-SUB ASSY;UN50KU6000,UL210	1	SA
.2		BN39-02457A	LEAD CONNECTOR-SUB ASSY;Q70,UL21016,12P,	1	SA
.2		BN44-00932Q	DC VSS-PD BOARD;L55E7_RHS,AC/DC,164W,AC1	1	SA
.2		BN96-39820F	FFC CABLE;55NU7100,Fold,L500,96P,-	1	SA



Level	Loc.	Part Code	Description & Specification	Qty.	SA/SNA
.2		BN96-39821F	FFC CABLE;55NU7100,Fold,L350,96P,-	1	SA
.2		BN96-45632J	ASSY SPEAKER P-FRONT;TV-SPK,RU7100,6ohm,	1	SA
.2		BN96-48730A	ASSY BOARD P-FUNCTION TACT;Y19 VNB Carbo	1	SA
1		BN92-22935B	ASSY P/MATERIAL;55UNU7400	1	SNA
.2		6902-003002	BAG ROLL;HDPE/PE FOAM,T0.015/T0.5,W1400,	1	SNA
.2		6922-000013	BAND;PP,T0.8,W18,L2300 M,TRP	1	SNA
.2		6932-000004	WRAP;T0.023,W750,L1000m,non stretched fi	2	SNA
.2		BN02-00319B	TAPE-SINGLE FACE;OPP,T0.05,W75,L800M,CLE	1	SNA
.2	AS080	BN63-07229A	SHEET-PET;rose70",PET,T0.052,W50,L100000	1	SNA
.2		BN69-17449H	PAD PACKING;LED,PAPER,T3,W50X50,L2500,YE	0	SNA
.2		BN69-17535A	CUSHION-SET;50UNU7400H,EPS,16.7g/l,WHITE	1	SNA
..3		0103-005099	RESIN EPS;BASF303,Natural,Natural	636	SNA
.2		BN69-19763A	PALLET-WOODEN;UE50RU7400,WOOD,W1190,L131	0	SNA
.2		BN74-00008D	TAPE-SINGLE FACE;OPP,T0.05,W75,L800M,CLE	1	SNA
1	ACCEL	BN92-25685H	ASSY ACCESSORY;URU7400G	1	SNA
.2		BN96-48694F	ASSY ACCESSORY MANUAL CABLE;URU7400G	1	SNA
..3		3709-001791	CONNECTOR-CARD SLOT;64P,0.5mm,SMD-A,AU,P	1	SA
..3	T0268	3903-001118	POWER CORD-DT;EUR,2P-F,250V,2.5A,BLK,L15	1	SA
..3		4301-000101	BATTERY-ALKALINE;1.5V,1650mAH,LR6,14.5x5	2	SNA
..3		6902-001962	BAG PE;LDPE,BIOBASED,T0.05,W400,L300,TRP	1	SNA
..3		BN59-01312H	REMOCON-SMART CONTROL;2019 TV,SAMSUNG,21	1	SA
..3		BN68-00514K	LEAFLET-WARRANTY;comm,Samsung,W.Europe,W	1	SNA
..3		BN68-02989A	LABEL ETC;ALL MODEL,ALL,ART,W65,L30,65X3	1	SNA
..3		BN68-07598A	LEAFLET-REGULATORY GUIDE;QT/UT/LFD/LM/HD	1	SNA
..3		BN68-09371A	LEAFLET-REGULATORY GUIDE;QT/UT,W/W,MOJO,	1	SNA
..3		BN68-09493B	MANUAL USERS;RU7415,XC,SPAIN,MOJO,0,1 CO	1	SNA
..3		BN68-09496B	LEAFLET-ACCESSORY KIT;RU7100 RU7300 RU74	1	SNA
..3	EH03A	BN96-43169A	ASSY HOLDER P-RING;65Q8C,ABS,BLACK,HB	1	SA
..4		6902-001404	BAG PE;LDPE,T0.05,W80,L100,TRP,Bio. N	1	SNA
..4		BN61-14912A	HOLDER-WALL RING;55Q7F,ABS,T2,BLACK,HB,1	4	SNA
....5		0103-004609	RESIN ABS;HF-0680U,K21294,BK0007,HB,High	16	SNA
1		BN92-26130Y	ASSY LABEL;URU7400G	1	SNA
.2		BN68-06708G	LABEL-RATING;Monitor,WW,PP,T0.161,W93,L7	1	SNA
.2		BN68-07519B	LABEL-ENERGY;ALL JORDAN,WW,PP,T0.135,W60	1	SNA
.2		BN68-09504A	LEAFLET-QUICK SETUP GUIDE;UA50RU7400K,OT	1	SNA
1		BN92-26131Z	ASSY BOX;URU7400G	1	SNA
.2		BH68-00662A	LABEL BOX;ALL,ART,W60,L110,WHT,NO SILK,9	1	SNA
.2		BN69-19408F	BOX UNIT;50URU7400G,CB,DW2,F1,L1292,W155	1	SNA
1		BN95-05547L	PRODUCT LCD DP;BN95-04753H; CY-NN050HGAV	1	SA
.2	PANEL	BN95-04753H	PRODUCT LCD-AUO;CY-NN050HGAVBV/H,NU7400,	1	SA

Exploded Views and Parts List

Level	Loc.	Part Code	Description & Specification	Qty.	SA/SNA
...3	M0131	BN63-00520A	GASKET-EMI;APPOLO_PAL,Conductive Fabric,	2	SNA
...3		BN68-05722A	LABEL-E PASS;POLYPROPYLENE,NON-COATING	1	SNA
...3		BN90-09638C	ASSY BACK LIGHT UNIT;UNU7400H	1	SNA
...4		BN61-15494A	FRAME-MIDDLE TOP;50UNU7100X,PC+GF10%,V-2	1	SNA
...4		BN61-15653A	OPTICAL SHEET-COMPLEX;18Y_NU7K_50INCH_CO	1	SNA
...4		BN61-15659A	DIFFUSER PLATE;18Y_NU7K_50INCH_DIFFUSER	1	SNA
...4		BN61-15661A	LGP;18Y_NU7K_50INCH_LGP,PMMA,NewEdge(OD5	1	SNA
...4		BN61-15702A	OPTICAL SHEET-REFLECTOR;18Y_NU7K_50INCH_	1	SNA
...4		BN96-45705B	ASSY FRAME P-MIDDLE BOTTOM;50UNU7100X,PC	1	SNA
....5		BN02-00586A	TAPE DOUBLE FACE;UNU7100X,ACRYL,T0.3,W3,	2	SNA
....5		BN60-01605A	SPACER-FOAM;NU7K,HR FOAM,L50,DARK GRAY,T	1	SNA
....5		BN61-15495D	FRAME-MIDDLE BOTTOM;50UNU7100X,PC+GF10%,	1	SNA
...4		BN96-45712B	ASSY CHASSIS REAR P;50UNU7400H,EGI-SECC	1	SNA
....5		0203-007064	TAPE-DOUBLE FACE;ACRYL,T0.2,W6,N/A,WHITE	1	SNA
....5		BN02-00102B	TAPE-SINGLE FACE;OPP,T0.15,W25,L50M,WHIT	0	SNA
....5		BN39-02390A	LEAD CONNECTOR-BLU;55NU7.1K,UL21016,12P,	1	SNA
....5	CB20	BN61-11982C	BRACKET-WALL;65QNQ7FC,CR-SPCC,BLACK,M8,L	4	SNA
....5	CB20	BN61-13521A	BRACKET-WALL;32K5500,CR-SPCC,T1.2,NATURA	4	SNA
....5		BN61-13557F	BRACKET-WIRE;55KS7000,SW-C,T1,SILVER,ZIN	2	SA
....5		BN61-13557H	BRACKET-WIRE;55KS7000,SW-C,T1,NATURAL,ZI	2	SA
....5		BN61-13557P	BRACKET-WIRE;75QNQ8CB,SW-C,T1,SILVER,L66	1	SNA
....5		BN61-15484A	BRACKET-LED PCB;50UNU7100X,Al,T1,NATURAL	1	SNA
....5		BN61-15531A	HOLDER-LGP TOP RIGHT;65QNQ7FC,TPE,BK0020	1	SNA
....6		0103-005041	RESIN PC ABS;FR3200TV/901408,Black,BK000	4	SNA
....6		0103-010906	RESIN TPE;5202SP/5209B,BLACK,BK0020,HB,T	4	SNA
....5		BN61-15532A	HOLDER-LGP TOP LEFT;65QNQ7FC,TPE,BK0020,	1	SNA
....5		BN61-15540A	HOLDER-LGP BOTTOM LEFT;65QNQ7FC,TPE,BK00	1	SNA
....5		BN61-15541A	HOLDER-LGP BOTTOM RIGHT;65QNQ7FC,TPE,BK0	1	SNA
....5		BN63-17621A	INSULATOR-SOURCE PCB;50UNU7100X,PET,BLAC	1	SNA
....5		BN63-17877A	INSULATOR-SMPS;65NU7K,PC,BLACK,L260,W255	1	SNA
....5	CC04	BN64-03996A	CHASSIS-REAR;50UNU7100X,EGI-SECC,-,T0.6,	1	SNA
....5		BN96-46034A	ASSY LED BAR P;18Y_NU7K_50INCH_EDGE_LED	2	SA
...4		BN96-45949B	ASSY FRAME P-MIDDLE LEFT RIGHT;50UNU7100	2	SNA
....5		BN60-00715M	SPACER-CONDUCTIVE;65UNU7100X,CONDUCTIVE	2	SNA
....5		BN61-15496B	FRAME-MIDDLE LEFT RIGHT;50UNU7100X,PC+GF	2	SNA
...3		BN96-45686A	ASSY COVER P-SOURCE PCB;50UNU7100X,EGI-S	1	SNA
...4		BN63-17460A	COVER-SOURCE PCB;50UNU7100X,EGI-SECC,T0.	1	SNA
...4		BN63-17630A	INSULATOR-SOURCE PCB COVER;50UNU7100X,PE	1	SNA
...3		BN96-45763A	ASSY OPEN CELL;AUO,50Inch,Y2018 New Mode	1	SNA
...4		BN81-12752A	A/S OPEN CELL-ADHESIVE ACF;T430QVN02.2,4	1	SNA

Level	Loc.	Part Code	Description & Specification	Qty.	SA/SNA
...4		BN81-15644A	A/S OPEN CELL-ASSY PCB-SOURCE LEFT;T500Q	1	SNA
...4		BN81-15645A	A/S OPEN CELL-ASSY PCB-SOURCE RIGHT;T500	1	SNA
...4		BN81-15648A	A/S OPEN CELL-POLARIZER-C/F;T500QVN03,66	1	SNA
...4		BN81-15649A	A/S OPEN CELL-POLARIZER-TFT;T500QVN03,66	1	SNA
...4		BN81-16147A	A/S-A/S-IC DRIVER SOURCE;A/S-IC DRIVER S	1	SNA
...4		BN81-16148A	A/S-A/S-POLARIZER-C/F;A/S-POLARIZER-C/F,	1	SNA
...4		BN81-16149A	A/S-A/S-POLARIZER-TFT;A/S-POLARIZER-TFT,	1	SNA
...4		BN81-16288A	A/S-ADHESIV-A.C.F;ADHESIV-A.C.F,47.COF21	1	SNA
..3		BN96-46279C	ASSY CHASSIS FRONT P;50URU7400G,PC+ABS+E	1	SNA
...4		BN60-00715C	SPACER-CONDUCTIVE;Y13 Slim F-LED 76,COND	4	SNA
...4		BN60-01611A	SPACER-CONDUCTIVE;NU7100,CONDUCTIVE FABR	3	SNA
...4		BN63-17418C	SHEET-PROTECTION COVER;NU7K,PO,T0.05,W30	4	SNA
...4		BN63-17418D	SHEET-PROTECTION COVER;Q7F,PO,T0.05,W8,L	0	SNA
...4	AC155	BN64-04016E	CHASSIS-FRONT;50URU7400G,PC+ABS+ED18%,V-	1	SNA