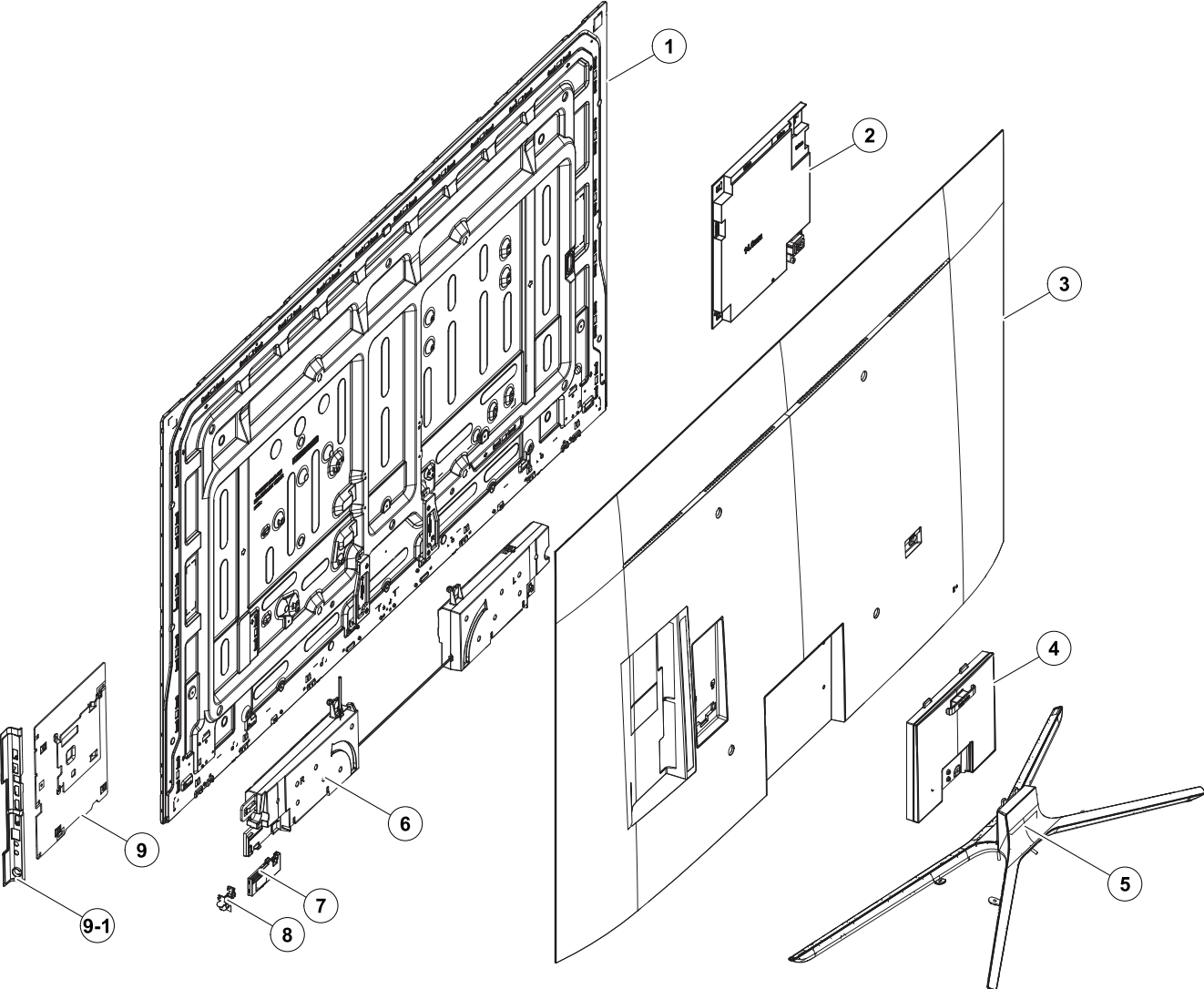


1. Exploded View & Part List

Exploded View



Parts List

No.	Lvl.	Loc.	Material Code	Description & Specification	SNA	Qty.
1	2		BN95-02654B	PRODUCT LCD-BOE; CY-KK049HGEV2V/H,KU6400,	SA	1
2	2		BN44-00876A	DC VSS-PD BOARD; L55E6_KHS,AC/DC,170W,100	SA	1
3	2	R001A	BN96-40123D	ASSY COVER P-REAR; 49KU6400,PC+ABS+ED20%,	SA	1
4	2		BN96-40206A	ASSY STAND P-NECK; 55KU6400,PC+ABS,BLACK,	SA	1
5	2	SB02A	BN96-40386A	ASSY STAND P-BOTTOM; 55KU6400,PC+ABS,SILV	SA	1
6	2		BN96-39964A	ASSY SPEAKER P-FRONT; TV-SPK,KU6400,6ohm,	SA	1
7	2	WIFI	BN59-01239A	NETWORK-WLAN CLIENT; WCK730B,USB 2.0,16P,	SA	1
8	2		BN96-39802C	ASSY BOARD P-FUNCTION TACT; KS7000/7500/K	SA	1
9	2		BN94-10775A	ASSY PCB MAIN-BOE; LED 6K TV	SA	1
9-1	3		BN63-15215A	COVER-TERMINAL SIDE; 55KU6000,HIPS,MOLD,H	SA	1

2. Electrical Parts List

Level	Loc.	Part Code	Description & Specification	Qty.	SA/SNA
			UE49KU6400UXZF (BA01)		
1		BN90-08084B	ASSY W/I;LED TV 6K	1	SNA
.2		BN81-08159Z	A/S PART SET-ELEC W/I;LED TV ELEC spec-C	1	SNA
.2		BN81-12851M	A/S PART SET-MECH W/I;UKU6400K,U49KK*	1	SNA
1	R001A	BN90-08095D	ASSY COVER REAR;LED TV 6K	1	SNA
.2	R001A	BN96-40123D	ASSY COVER P-REAR;49KU6400,PC+ABS+ED20%,	1	SA
..3		BN60-00162V	SPACER-FOAM;PE FOAM,ROLL,GRAY,T0.5,W10	1	SNA
..3		BN61-04692A	ADHESIVE-AA;SHEET,CLEAR,C043	1	SNA
..3	R001	BN63-15233B	COVER-REAR;49KU6400,PC+ABS+ED20%,MOLD,V-	1	SNA
...4		0103-010818	RESIN PC ABS;CM20G/BK00749,BLACK,BK0007,	2200	SNA
..3		BN64-03529D	INLAY-TERMINAL SIDE;55KU6500,PET,T0.125,	1	SNA
..3		BN68-03518H	LABEL-STICKER CI SLOT;WW,ALL,PET,T0.1,W1	1	SNA
..3		BN68-07835C	LABEL-STICKER LICENSE;40K5500,PET,0.125,	1	SNA
1	S001A	BN90-08122A	ASSY STAND;LED TV 6K	1	SNA
.2		BN96-40206A	ASSY STAND P-NECK;55KU6400,PC+ABS,BLACK,	1	SA
..3		BN61-13387A	HOLDER-COVER;55KU6500,TPE,BK0007,V-2,NYL	4	SNA
..3		BN61-13628A	BRACKET-STAND NECK;55KU6400,HGI,T3,NATUR	1	SNA
..3		BN63-15512A	COVER-STAND NECK;55KU6400,PC+ABS,T2.5,V-	1	SNA
..3		BN63-15574A	COVER-STAND DECORATION REAR;55KU6400,PC+	1	SNA
..3		BN96-35529A	ASSY ACCESSORY-SCREW;JU7500,65	1	SNA
...4	SCREW	6003-001334	SCREW-TAPTYPE;BH,+,S,M4,L14,ZPC(BLK),SWR	8	SA
...4		6902-002475	BAG SCREW;LDPE,T0.05*,W70,L90,TRP,RECYCL	1	SNA
.2	SB02A	BN96-40386A	ASSY STAND P-BOTTOM;55KU6400,PC+ABS,SILV	1	SA
..3	SCREW	6003-000133	SCREW-TAPTYPE;BH,+,-,S,M4,L8,ZPC(BLK),SW	1	SA
..3	SCREW	6003-001119	SCREW-TAPTYPE;FH,+,S,M4,L10,ZPC(BLK),SWR	5	SA
..3	SCREW	6003-001334	SCREW-TAPTYPE;BH,+,S,M4,L14,ZPC(BLK),SWR	5	SA
..3		6021-000265	NUT-HEXAGON;2C,M4,ZPC(WHT),SWRCH10A	4	SNA
..3		6902-002463	BAG PE;HDPE/PE FOAM,T0.015/T0.5,W100,L40	4	SNA
..3		6902-002487	BAG PE;HDPE/PE FOAM,T0.015/T0.5,W250,L30	2	SNA
..3		BN60-00162C	SPACER-FOAM;PE FOAM,ROLL,GRAY,T0.5,W15	0	SNA
..3		BN60-00162K	SPACER-FOAM;PE FOAM,ROLL,GRAY,T0.5,W7	1	SNA
..3		BN61-06871A	BOSS-BOND;UC9000,Dimethacrylate ester,Re	0	SNA
..3	RF01	BN61-13520B	FOOT-RUBBER;40K5500,Si,GRAY,T3,W5 L5	2	SNA
..3	RF01	BN61-13520D	FOOT-RUBBER;40K5500,RUBBER,GRAY,T3,W5 L1	2	SNA
..3		BN61-13612A	BRACKET-STAND BOTTOM FRONT;55KU6500,SM45	1	SNA
..3		BN61-13616A	BRACKET-STAND BOTTOM REAR;55KU6500,SM45C	1	SNA
..3		BN61-13619A	BRACKET-STAND NECK FRONT;43KU6400,HGI,T4	1	SNA
..3		BN61-13623A	BRACKET-STAND NECK REAR;43KU6400,HGI,T4,	1	SNA

Exploded Views and Parts List

Level	Loc.	Part Code	Description & Specification	Qty.	SA/SNA
...3		BN61-13996A	BRACKET-STAND LINK REAR;55KU6400,HGI,T3,	1	SNA
...3		BN63-11118E	SHEET-PROTECTION COVER;STANDARD ENCLOSUR	0	SNA
...3		BN63-15492A	COVER-STAND BOTTOM FRONT;55KU6400,PC+ABS	1	SNA
...3		BN63-15500A	COVER-STAND BOTTOM REAR;55KU6400,PC+ABS,	1	SNA
...3		BN63-16138A	SHEET-INSULATOR;49KU6400,PC,T1,W5,BLACK	1	SNA
...3		BN95-02779A	ASSY COVER STAND SMT-TOP FRONT;KU6500,49	1	SNA
...4		BN01-00337A	TARGET-ALUMINIUM CY;Al,99.9%,1924mm, 132	0	SNA
...4		BN63-11118F	SHEET-PROTECTION COVER;K6200,PET,T0.04,W	1	SNA
...4		BN63-11118P	SHEET-PROTECTION COVER;55K6200,PET,T0.04	0	SNA
...4		BN63-15488A	COVER-STAND TOP FRONT;55KU6400,PC+ABS,T2	1	SNA
...3		BN95-02781A	ASSY COVER STAND SMT-TOP REAR;KU6500,49,	1	SNA
...4		0204-007315	COATING;CVM92000(VOC),CLEAR,1.06	0	SNA
...4		BN01-00340A	TARGET-CHROMIUM CY;Cr,99.5%,1924mm, 132d	1	SNA
...4		BN63-15496A	COVER-STAND TOP REAR;55KU6400,PC+ABS,T2,	1	SNA
1	M0017	BN91-17251A	ASSY CHASSIS;LED TV 6K	1	SNA
.2		BN94-10775A	ASSY PCB MAIN-BOE;LED 6K TV	1	SA
...3		0202-001608	SOLDER-WIRE FLUX;LFC7-107,D0.8,99.3Sn/0.	0	SNA
...3		BN62-00817A	HEAT SINK-PS;55KU6000,A1050,T1.5,W115,L1	1	SNA
...3		BN63-15215A	COVER-TERMINAL SIDE;55KU6000,HIPS,MOLD,H	1	SA
...3		BN97-10916A	ASSY DRM;JAZZ-L,DVB,NagSam, MAC, HDCP, C	1	SNA
...4		BN46-00109H	KEY CODE-CERTIFICATION;MAC,TV/AV,General	1	SNA
...4		BN46-00110P	KEY CODE-CERTIFICATION;MIRACAST(HDCP2.2)	1	SNA
...4		BN46-00500A	KEY CODE-CERTIFICATION;JAZZ-L,Nagra CSC	1	SNA
...4		BN46-00514A	KEY CODE-CERTIFICATION;CI PLUS,Jazz M, J	1	SNA
...3		BN97-10965A	ASSY SMD;LED 6K	1	SNA
...4		0202-001830	SOLDER-CREAM;LFM-48W TM-HP,D20~38um,96.5	5	SNA
...4	DS01A	0401-001056	DIODE-SWITCHING;MMBD4148SE,100V,200mA,SO	1	SA
...4		0403-001164	DIODE-ZENER;MMSZ5232B,5.32~5.88V,500mW,S	1	SA
...4		0403-001783	DIODE-ZENER;BZB84-C6V2,5.8~6.6V,300mW,SO	3	SNA
...4		0403-001831	DIODE-ZENER;KDZ12B,12~13.5V,1000mW,SOD-1	2	SA
...4		0403-002014	DIODE-ZENER;KDZ16B,16.2~18.3V,1000mW,SOD	2	SNA
...4		0404-001307	DIODE-SCHOTTKY;SSC54,40V,5000mA,DO-214AB	1	SA
...4		0404-001404	DIODE-SCHOTTKY;BAT721C,40V,200mA,SOT-23,	4	SA
...4		0404-001640	DIODE-SCHOTTKY;SS1060HEWS,60V,1000mA,SOD	1	SA
...4		0404-001881	DIODE-SCHOTTKY;SS3040-HE,40V,3000mA,SOD-	4	SA
...4		0404-001953	DIODE-SCHOTTKY;MBRA340F-HAF,40V,3000mA,S	3	SA
...4		0406-001200	DIODE-TVS;RClamp0504F,6V,1MAV,TP	2	SA
...4		0406-001290	DIODE-TVS;3.0SMCJ20A,22.2V,24.5V,5MAV,30	1	SNA
...4		0406-001628	DIODE-TVS;AOZ8804ADI,6V,1MAV,5A,TP	1	SA
...4		0406-001635	DIODE-TVS;SMF5.0A,6.4V,6.7V,7V,200MAV,20	1	SA

Level	Loc.	Part Code	Description & Specification	Qty.	SA/SNA
...4		0406-001643	DIODE-TVS;1SMA33AT3G,36.7V,38.65V,40.6V,	1	SNA
...4		0501-000002	TR-SMALL SIGNAL;KSA812,PNP,150mW,SOT-23,	1	SNA
...4		0501-000445	TR-SMALL SIGNAL;KTC3875S-Y,NPN,150mW,SOT	7	SC
...4		0501-000465	TR-SMALL SIGNAL;MMBT3904,NPN,350mW,SOT-2	1	SA
...4		0504-000126	TR-DIGITAL;KSR1101,NPN,200mW,4.7K/4.7K,S	1	SA
...4		0505-001844	FET-SILICON;SI4435DDY-T1-GE3,P,30V,-11.4	1	SA
...4		0505-002560	FET-SILICON;AO6415,P,20V,-3.3A,0.15ohm,1	1	SA
...4		0505-002598	FET-SILICON;AP2317GN,P,20V,-4.2A,0.052oh	1	SA
...4		0505-002660	FET-SILICON;Si2308BDS,N,60V,2.3A,0.156oh	1	SNA
...4		0505-002893	FET-SILICON;AO4801AS,P,30V,-5A,2W,SOIC-8	2	SA
...4		0505-003205	FET-SILICON;DMG4435SSS-13,P,30V,-7.3A,1.	1	SA
...4		0505-003391	FET-SILICON;AOD2922,N,100V,8A,140Mohm,18	1	SA
...4		0505-003397	FET-SILICON;2N7002K,N,60V,0.38A,1.19ohm,	1	SA
...4		0505-003507	FET-SILICON;AO3424,N,30V,3.8A,1.4W,SOT-2	5	SA
...4		0801-003603	IC-CMOS LOGIC;MC74LCX244MN2TWG,Octal buf	1	SA
...4		1001-001998	IC-ANALOG MULTIPLEX;NX3DV221GM,USB switc	2	SA
...4		1003-002777	IC-LEVEL DRIVER;RT8926A,QFN,32P,4x4,TP,P	1	SA
...4		1103-001564	IC-EEPROM;S-24C512CI-J800,512Kbit,64Kx8,	1	SA
...4		1105-002704	IC-DDR4 SDRAM;K4F8E304HB-MGCH,LPDDR4-SDR	1	SA
...4		1105-002751	IC-DDR4 SDRAM;K4F2E3S4HM-MGCJ,LPDDR4-SDR	1	SA
...4		1201-000166	IC-OP AMP;LM358,SOP,ST,8P,150MIL,DUAL,10	1	SA
...4		1201-003690	IC-AUDIO AMP;TAS5747PHPR,QFP,48P,DUAL,PL	1	SA
...4		1203-004364	IC-VOL. DETECTOR;RT9818C-42PV,SOT-23,3P,	1	SA
...4		1203-008102	IC-POSI.FIXED REG.;S-13A1D12-E800,HSOP,8	1	SNA
...4		1203-008104	IC-POSI.FIXED REG.;S-13A1D18-E800,HSOP,8	1	SNA
...4		1203-008105	IC-POSI.FIXED REG.;S-13A1D33-E800,HSOP,8	1	SNA
...4		1203-008391	IC-DC/DC CONVERTER;AOZ1269QI-02,QFN-23L,	1	SA
...4		1203-008392	IC-VOL. DETECTOR;S-6414AAB-L800X,TSOT-23	1	SA
...4		1203-008448	IC-DC/DC CONVERTER;A8305SESTR-T,QFN,16,3	1	SNA
...4		1203-008454	IC-DC/DC CONVERTER;TPS56528,HSOP8,8,4,89	2	SA
...4		1203-008522	IC-DC/DC CONVERTER;SN1501019DDCR,SOT-23,	2	SNA
...4		1203-008551	IC-DC/DC CONVERTER;BM81244,QFN,40P,6x6mm	1	SNA
...4		1203-008655	IC-DC/DC CONVERTER;BM81249MWW,QFN,56,7x7	1	SA
...4		1203-008732	IC-DC/DC CONVERTER;SYD104ADC,TSOT-23,6,3	1	SA
...4		1203-008733	IC-DC/DC CONVERTER;AOZ1236QI-02,QFN,23,4	2	SA
...4		1204-003697	IC-DECODER;SDP1531,FCPBGA,1046P,31x31,GL	1	SA
...4		1205-004822	IC-SWITCH;TPS22965DSGR,SON,8P,2x2x0.75mm	3	SNA
...4		1205-005325	IC-REPEATER;PS8409QFN48GTR2-A1,QFN,48P,6	1	SNA
...4		1205-005519	IC-SWITCH;ET20163,SOT23-5,5P,2.95x3.02mm	3	SA
...4		1404-001731	THERMISTOR-NTC;33Kohm,4050K,1mW/C,TP,1.6	2	SNA

Exploded Views and Parts List

Level	Loc.	Part Code	Description & Specification	Qty.	SA/SNA
...4		1405-001232	VARISTOR;6.4V,5.6Vdc,30A,1.6x0.8mm,TP,19	2	SNA
...4		1405-001271	VARISTOR;35V,20VDC,5A,1.0x0.5mm,TP,100V,	15	SA
...4		1405-001381	VARISTOR;11V,8VDC,30A,1.6x0.8mm,TP,25V,5	2	SA
...4		1405-001382	VARISTOR;24.5V,16VDC,120A,2.0x1.25mm,TP,	1	SA
...4		2007-000039	R-CHIP;0ohm,1%,1/10W,TP,1608	9	SA
...4		2007-000052	R-CHIP;10Kohm,1%,1/10W,TP,1608	2	SA
...4		2007-000070	R-CHIP;0ohm,5%,1/10W,TP,1608	19	SA
...4		2007-000084	R-CHIP;4.7Kohm,5%,1/10W,TP,1608	1	SA
...4		2007-000140	R-CHIP;1Kohm,5%,1/16W,TP,1005	1	SNA
...4		2007-000143	R-CHIP;4.7Kohm,5%,1/16W,TP,1005	19	SNA
...4		2007-000162	R-CHIP;100Kohm,5%,1/16W,TP,1005	3	SNA
...4		2007-000171	R-CHIP;0ohm,5%,1/16W,TP,1005	23	SNA
...4		2007-000173	R-CHIP;22ohm,5%,1/16W,TP,1005	3	SNA
...4		2007-000683	R-CHIP;3.3Kohm,1%,1/10W,TP,1608	1	SA
...4		2007-000701	R-CHIP;3.6Kohm,1%,1/10W,TP,1608	1	SNA
...4		2007-000736	R-CHIP;30Kohm,1%,1/10W,TP,1608	2	SA
...4		2007-000779	R-CHIP;33ohm,1%,1/10W,TP,1608	6	SA
...4		2007-000932	R-CHIP;470ohm,5%,1/16W,TP,1005	3	SNA
...4		2007-001125	R-CHIP;68Kohm,1%,1/10W,TP,1608	2	SA
...4		2007-001288	R-CHIP;18ohm,5%,1/16W,TP,1005	4	SA
...4		2007-001292	R-CHIP;33ohm,5%,1/16W,TP,1005	28	SNA
...4		2007-001298	R-CHIP;51ohm,5%,1/16W,TP,1005	12	SNA
...4		2007-002899	R-CHIP;10ohm,1%,1/10W,TP,1608	7	SA
...4		2007-007107	R-CHIP;100Kohm,1%,1/16W,TP,1005	14	SNA
...4		2007-007131	R-CHIP;13Kohm,1%,1/16W,TP,1005	4	SA
...4		2007-007132	R-CHIP;15Kohm,1%,1/16W,TP,1005	2	SA
...4		2007-007136	R-CHIP;4.7Kohm,1%,1/16W,TP,1005	67	SNA
...4		2007-007137	R-CHIP;1.2Kohm,1%,1/16W,TP,1005	3	SA
...4		2007-007138	R-CHIP;27Kohm,1%,1/16W,TP,1005	3	SA
...4		2007-007139	R-CHIP;47Kohm,1%,1/16W,TP,1005,T0.35	14	SA
...4		2007-007142	R-CHIP;10Kohm,1%,1/16W,TP,1005	34	SNA
...4		2007-007306	R-CHIP;100ohm,1%,1/16W,TP,1005	32	SNA
...4		2007-007309	R-CHIP;12Kohm,1%,1/16W,TP,1005,T0.35	1	SA
...4		2007-007310	R-CHIP;8.2Kohm,1%,1/16W,TP,1005	1	SA
...4		2007-007312	R-CHIP;20Kohm,1%,1/16W,TP,1005	11	SA
...4		2007-007313	R-CHIP;6.8Kohm,1%,1/16W,TP,1005	3	SA
...4		2007-007318	R-CHIP;1Kohm,1%,1/16W,TP,1005	13	SNA
...4		2007-007334	R-CHIP;200Kohm,1%,1/16W,TP,1005	5	SNA
...4		2007-007488	R-CHIP;75Kohm,1%,1/16W,TP,1005	5	SA
...4		2007-007517	R-CHIP;240ohm,1%,1/16W,TP,1005	6	SNA

Level	Loc.	Part Code	Description & Specification	Qty.	SA/SNA
...4		2007-007520	R-CHIP;20ohm,1%,1/10W,TP,1608	2	SA
...4		2007-007528	R-CHIP;1.5Kohm,1%,1/16W,TP,1005	5	SA
...4		2007-007720	R-CHIP;300Kohm,1%,1/10W,TP,1608	1	SA
...4		2007-007723	R-CHIP;75Kohm,1%,1/10W,TP,1608	3	SA
...4		2007-007766	R-CHIP;2Kohm,1%,1/16W,TP,1005	22	SNA
...4		2007-007767	R-CHIP;200ohm,1%,1/16W,TP,1005	8	SA
...4		2007-007798	R-CHIP;10ohm,1%,1/16W,TP,1005	8	SA
...4		2007-007830	R-CHIP;14Kohm,1%,1/10W,TP,1608	1	SA
...4		2007-007847	R-CHIP;16Kohm,1%,1/10W,TP,1608	5	SA
...4		2007-007942	R-CHIP;1Mohm,1%,1/16W,TP,1005	1	SNA
...4		2007-007981	R-CHIP;180Kohm,1%,1/16W,TP,1005	1	SNA
...4		2007-008015	R-CHIP;75ohm,1%,1/16W,TP,1005	9	SA
...4		2007-008263	R-CHIP;3Kohm,1%,1/16W,TP,1005	2	SA
...4		2007-008269	R-CHIP;51Kohm,1%,1/16W,TP,1005	3	SNA
...4		2007-008298	R-CHIP;49.9ohm,1%,1/16W,TP,1005	4	SA
...4		2007-008391	R-CHIP;6.34Kohm,1%,1/16W,TP,1005	2	SA
...4		2007-008596	R-CHIP;0.1ohm,1%,1/4W,TP,3216	3	SC
...4		2007-008779	R-CHIP;0ohm,1%,1/16W,TP,1005	3	SA
...4		2007-009117	R-CHIP;49.9Kohm,1%,1/16W,TP,1005	1	SA
...4		2007-009322	R-CHIP;1.3Kohm,1%,1/16W,TP,1005	2	SA
...4		2007-009777	R-CHIP;4.99Kohm,1%,1/16W,TP,1005	2	SA
...4		2011-001261	R-NETWORK;33ohm,5%,1/16W,L,CHIP,8P,TP,2.	6	SA
...4		2011-001264	R-NETWORK;10ohm,5%,1/16W,L,CHIP,8P,TP,2.	8	SNA
...4		2011-001344	R-NETWORK;100ohm,5%,1/16W,L,CHIP,8P,TP,2	6	SA
...4	AD480	2203-000233	C-CER,CHIP;0.1nF,5%,50V,C0G,TP,1005	4	SA
...4	AD480	2203-000254	C-CER,CHIP;10nF,10%,16V,X7R,TP,1005	5	SA
...4	AD480	2203-000278	C-CER,CHIP;0.01nF,0.5pF,50V,C0G,TP,1005	2	SA
...4	AD480	2203-000359	C-CER,CHIP;0.15nF,5%,50V,C0G,TP,1005,0.5	3	SA
...4	AD480	2203-000386	C-CER,CHIP;0.015nF,5%,50V,C0G,TP,1005	3	SA
...4	AD480	2203-000438	C-CER,CHIP;1nF,10%,50V,X7R,TP,1005	12	SA
...4	AD480	2203-000489	C-CER,CHIP;2.2nF,10%,50V,X7R,TP,1005	2	SA
...4	AD480	2203-000585	C-CER,CHIP;0.22nF,10%,50V,X7R,TP,1005	3	SA
...4	AD480	2203-000812	C-CER,CHIP;0.033nF,5%,50V,C0G,TP,1005	9	SA
...4	AD480	2203-000940	C-CER,CHIP;0.47nF,10%,50V,X7R,TP,1005	1	SA
...4	AD480	2203-002285	C-CER,CHIP;10nF,10%,50V,X7R,TP,1005	6	SNA
...4	AD480	2203-002398	C-CER,CHIP;22nF,10%,50V,X7R,TP,1608	1	SNA
...4	AD480	2203-005054	C-CER,CHIP;0.0047nF,0.25pF,50V,NP0,TP,10	2	SA
...4	AD480	2203-005083	C-CER,CHIP;220nF,10%,50V,X7R,TP,1608,0.8	8	SA
...4	AD480	2203-005249	C-CER,CHIP;100nF,10%,50V,X7R,TP,1608	4	SNA
...4	AD480	2203-005968	C-CER,CHIP;4.7nF,10%,50V,X7R,TP,1005,0.5	2	SNA

Exploded Views and Parts List

Level	Loc.	Part Code	Description & Specification	Qty.	SA/SNA
...4	AD480	2203-006048	C-CER,CHIP;100nF,10%,10V,X7R,TP,1005	8	SA
...4	AD480	2203-006126	C-CER,CHIP;47nF,10%,16V,X7R,TP,1005	3	SNA
...4	AD480	2203-006158	C-CER,CHIP;100nF,10%,16V,X7R,TP,1005,T0.	107	SNA
...4	AD480	2203-006324	C-CER,CHIP;2200nF,10%,10V,X5R,TP,1608	16	SA
...4	AD480	2203-006348	C-CER,CHIP;1000nF,10%,25V,X5R,TP,1608,0.	1	SA
...4	AD480	2203-006562	C-CER,CHIP;1000nF,10%,10V,X5R,TP,1005	27	SNA
...4	AD480	2203-006698	C-CER,CHIP;1000nF,10%,25V,X7R,TP,1608,0.	6	SA
...4	AD480	2203-006824	C-CER,CHIP;4700nF,10%,10V,X5R,TP,1608	5	SNA
...4	AD480	2203-006838	C-CER,CHIP;2200nF,10%,6.3V,X5R,TP,1005	9	SA
...4	AD480	2203-006844	C-CER,CHIP;470nF,10%,10V,X5R,TP,1005	2	SA
...4	AD480	2203-006890	C-CER,CHIP;10000nF,20%,6.3V,X5R,TP,1608	29	SA
...4	AD480	2203-006960	C-CER,CHIP;1000nF,10%,50V,X7R,TP,2012	1	SNA
...4	AD480	2203-007176	C-CER,CHIP;10000nF,10%,16V,X5R,TP,2012,1	17	SNA
...4	AD480	2203-007240	C-CER,CHIP;22000nF,20%,6.3V,X5R,TP,1608(72	SA
...4	AD480	2203-007269	C-CER,CHIP;22000nF,20%,10V,X5R,TP,2012(2	13	SA
...4	AD480	2203-007270	C-CER,CHIP;10000nF,10%,10V,X5R,TP,1608,0	22	SNA
...4	AD480	2203-007306	C-CER,CHIP;10000nF,10%,25V,X5R,TP,2012,1	48	SNA
...4	AD480	2203-007544	C-CER,CHIP;100nF,10%,50V,X7R,TP,1005,0.5	42	SA
...4	AD480	2203-008315	C-CER,CHIP;22000nF,20%,25V,X5R,TP,2012,T	10	SA
...4		2402-001268	C-AL,SMD;100uF,20%,25V,WT,TP,8x6.3mm	1	SA
...4		2409-001240	C-ORGANIC,SMD;33uF,20%,25V,LR,TP,7343(1.	1	SA
...4		2409-001338	C-POLYMER ,CHIP;47uF,20%,6.3V,TP,3.2x1.6	1	SA
...4		2703-000213	INDUCTOR-SMD;470nH,10%,1.35Ohm,35mA,15,M	1	SA
...4		2703-001938	INDUCTOR-SMD;56nH,5%,1005,1.5Ohm,200mA,1	7	SA
...4		2703-003149	INDUCTOR-SMD;2.2uH,20%,0.055Ohm,3000mA,W	1	SA
...4		2703-003747	INDUCTOR-SMD;22uH,20%,6060,0.135ohm,1300	2	SA
...4		2703-003862	INDUCTOR-SMD;10uH,20%,6060,0.065ohm,1900	3	SA
...4		2703-003913	INDUCTOR-SMD;2.2uH,20%,2520,1.2T,0.116Oh	1	SNA
...4		2703-003937	INDUCTOR-SMD;1uH,20%,7.0x6.47x3.0mm,0.00	3	SA
...4		2703-004630	INDUCTOR-SMD;2.2uH,20%,5.0T,0.0025Ohm,66	1	SNA
...4		2703-004724	INDUCTOR-SMD;8.2uH,20%,4T,0.072Ohm,2300m	4	SA
...4		2703-005191	INDUCTOR-SMD;1.5uH,20%,4.5,0.02Ohm,5300m	1	SA
...4		2703-005193	INDUCTOR-SMD;2.2uH,20%,4.5,0.024Ohm,5100	2	SA
...4		2703-005198	INDUCTOR-SMD;15uH,20%,3T,0.123Ohm,2500mA	1	SNA
...4		2703-005376	INDUCTOR-SMD;10uH,20%,10x10.7mm,4.0T,0.0	1	SA
...4		2801-004021	CRYSTAL-SMD;24.576MHz,20ppm,28-AAN,12pF,	1	SA
...4		3301-001364	BEAD-SMD;1000ohm,1608,TP,1085ohm/108MHz,	4	SNA
...4		3301-002039	BEAD-SMD;26ohm,1608,TP	32	SA
...4		3601-001374	FUSE-SURFACE MOUNT;32V,5A,FAST-ACTING,PL	3	SA
...4		3601-001376	FUSE-SURFACE MOUNT;32V,3A,FAST-ACTING,Hi	2	SNA

Level	Loc.	Part Code	Description & Specification	Qty.	SA/SNA
...4		3701-001967	CONNECTOR-HDMI;19P,A,FEMALE,AU,0.5mm,BLK	3	SA
...4		3707-001103	CONNECTOR-OPTICAL;ANGLE,SPDIF,2.5PI	1	SA
...4		3708-003241	CONNECTOR-FPC/FFC/PIC;96P,0.5mm,SMD-A,AU	2	SNA
...4		3710-003908	CONNECTOR-SOCKET;64P,2R,0.5mm,SMD-S,AU,B	1	SA
...4	EH01	3711-007803	HEADER-BOARD TO CABLE;BOX,12P,1R,1.25mm,	1	SA
...4	EH01	3711-008098	HEADER-BOARD TO CABLE;BOX,20P,1R,1.25mm,	1	SNA
...4	EH01	3711-008131	HEADER-BOARD TO CABLE;BOX,4P,1R,2.5mm,AN	1	SA
...4	EH01	3711-008859	HEADER-BOARD TO CABLE;BOX,12P,2R,2mm,ANG	1	SA
...4		3711-009090	CONNECTOR-HEADER;BOX,16P,1R,1.25mm,SMD-A	1	SA
...4		3722-003199	JACK-MODULAR;8P/8C,Y,ANGLE,NONE,AU,1PORT	1	SA
...4		3722-003457	JACK-USB;4P/1C,NI,BLK,ANGLE,A,2.0,13.1x1	2	SA
...4		3722-003814	JACK-PHONE;1P/7C,NI/SN,YEL,ANGLE,3.5PI,1	1	SA
...4	JACK	3722-003873	JACK-PHONE;1P/7C,AU/SN,BLU,ANGLE,3.5PI,1	1	SA
...4		6302-001376	GASKET-SMD,,,CONDUCTIVE FABRIC,T14,W43,L	7	SNA
...4		BN40-00323A	TUNER-DTV AIR CABLE SAT;DTOS24EH6A,DTOS2	1	SA
...4		BN41-02528A	PCB-MAIN;KU6000,FR-4,4L,1.6T,193x241mm,1	1	SNA
...4	CB07	BN61-13312B	BRACKET-PCB;55KS8000,SK5,T0.3,13.7,11.4,	4	SNA
...4		BN97-10863B	ASSY MICOM-SUB;JMMICOM_EU_TV,UWP60,W25Q4	1	SNA
....5		1107-002226	IC-NOR FLASH;W25Q40CLSSIP,4Mbit,SOIC,8P,	1	SA
...4		BN97-10933A	ASSY MICOM;TCON,KU6k,49-BOE-Flat,W25Q80D	1	SNA
....5		1107-002339	IC-NOR FLASH;W25Q80DV,8Mbit,SOP,5.28x5.2	1	SNA
....5		BN46-00515A	S/W MICOM;Jazz M-L,TCON F/W	1	SNA
...4		BN97-10947A	ASSY MICOM;T-JZMDEUC,UWP60,THGBMHG6C1LBA	1	SNA
....5		1107-002422	IC-EMMC;8GB,64Gbx1,BGA,153P,11.50 x 13.0	1	SA
...3		BN97-11333A	ASSY MICOM;TCON DATA,KU6k,49-BOE-Flat,BN	1	SNA
...4		BN46-00530A	S/W MICOM;K49B6U0F,BOE,49B6AU**K,Flat	1	SNA
1		BN91-17325A	ASSY SHIELD;LED TV 6K	1	SNA
.2	SCREW	6001-003016	SCREW-MACHINE;PWH,+,M3.0,L5.0,ZPC(WHT),S	2	SA
.2		BN02-00102B	TAPE-FILAMENT;#8917,0.15,25,50,WHITE	0	SNA
.2	EC13	BN39-02217C	LEAD CONNECTOR;40K5500,UL21016,12P,250mm	1	SA
.2		BN39-02219E	LEAD CONNECTOR-SUB ASSY;55K6200,UL21016,	1	SA
.2		BN39-02231D	LEAD CONNECTOR-SUB ASSY;43KU6400,UL21016	1	SA
.2		BN44-00876A	DC VSS-PD BOARD;L55E6_KHS,AC/DC,170W,100	1	SA
.2	WIFI	BN59-01239A	NETWORK-WLAN CLIENT;WCK730B,USB 2.0,16P,	1	SA
.2		BN96-39802C	ASSY BOARD P-FUNCTION TACT;KS7000/7500/K	1	SA
.2		BN96-39821B	FFC CABLE;49KS7500,Fold,L350,96P	2	SA
.2		BN96-39964A	ASSY SPEAKER P-FRONT;TV-SPK,KU6400,6ohm,	1	SA
1		BN92-19767A	ASSY LABEL;LED TV 6K	1	SNA
.2		BN68-06708G	LABEL-RATING;Monitor,WW,PP,T0.161,W93,L7	1	SNA
.2		BN68-07519A	LABEL-ENERGY;ALL JORDAN,WW,PP,T0.135,W60	1	SNA

Exploded Views and Parts List

Level	Loc.	Part Code	Description & Specification	Qty.	SA/SNA
.2		BN68-07873C	LEAFLET-QUICK SETUP GUIDE;KU6400,EU,W/P,	1	SNA
1		BN92-19791B	ASSY BOX;LED TV 6K	1	SNA
.2		BH68-00662A	LABEL BOX;ALL,ART,90g,W60,L110,WHT,NO SI	1	SNA
.2		BN69-13821B	BOX UNIT;49KU6400,CB,DW2,F1,L1335,W142,H	1	SNA
1	ACCE1	BN92-20001E	ASSY ACCESSORY;LED TV 6K	1	SNA
.2	ACCE2	BN96-39431A	ASSY ACCESSORY-CABLE;UK9Y	1	SNA
...3		3709-001791	CONNECTOR-CARD SLOT;64P,0.5mm,SMD-A,AU,P	1	SA
...3	T0268	3903-001118	CBF-POWER CORD;DT,EU,Angle,2P(C7),250V,2	1	SA
...3		4301-000101	BATTERY-ALKALINE;1.5V,1650mAH,LR6,14.5x5	2	SNA
...3		4301-000121	BATTERY-MN;1.5V,R03,10.5x44.5m,7.5g,AAA	2	SNA
...3		6902-001963	BAG PE;LDPE,BIOBASED,T0.05,W275,L300,TRP	1	SNA
...3	EC03	BN39-02189A	GENDER CABLE;DC to RCA Cable,3P,L100,UL2	1	SA
...3	EC03	BN39-02190A	GENDER CABLE;DC to RCA Cable,2P,L100,UL2	1	SA
...3		BN59-01247A	REMOCON-TV;2016 TV,Samsung,44KEY,3V,KU60	1	SA
...3		BN59-01259B	REMOCON-TV;2016 TV,Samsung,13KEY,3V,Euro	1	SA
...3		BN96-40152A	ASSY HOLDER P-CABLE;65KS7500,ABS,BK0007,	1	SNA
...4		BN61-04692A	ADHESIVE-AA;SHEET,CLEAR,C043	0	SNA
...4		BN61-05704A	TAPE-DOUBLE FACE;T1.1,W8,Dark Gray,3M #4	0	SNA
...4	AH089	BN61-13777A	HOLDER-CABLE;55KS7500,ABS,T15,BK0007,HB,	1	SNA
...4	AS080	BN63-07556W	SHEET-PROTECTION COVER;F-LED,PO,W12,ROLL	0	SNA
...3	EH03A	BN96-40460A	ASSY HOLDER P-RING;55KS7500,ABS,BLACK,V-	1	SNA
...4		6902-001404	BAG PE;LDPE,T0.05,W80,L100,TRP,N	1	SNA
...4		BN61-13518A	HOLDER-WALL RING;55KS7500,ABS,MOLD,BK000	4	SA
.2	ACCE4	BN96-39432E	ASSY ACCESSORY-MANUAL;UK9Y	1	SNA
...3		6902-001964	BAG PE;LDPE,BIOBASED,T0.03,W200,L300,TRP	1	SNA
...3		BN68-00514L	LEAFLET-WARRANTY;TV,W.EUR,W/P,W630,L297,	1	SNA
...3		BN68-02989A	LABEL-PQS;ALL,ALL,Paper,W30,L65,WHITE,SE	2	SNA
...3		BN68-04972E	LEAFLET-REGULATORY GUIDE;ALL,SAMSUNG,W/W	1	SNA
...3		BN68-07598A	LEAFLET-FICHE;ALL,W/P,0	1	SNA
...3		BN68-07867C	MANUAL USERS;KU6400,ZF,W/P,EURO B5	1	SNA
...3		BN68-08099B	LEAFLET;JAZZ-L,EU,W/P,W176,L250,00,4COLO	1	SNA
1		BN92-20020B	ASSY LABEL POP;LED TV 6K	1	SNA
.2		BN68-07971L	LABEL POP-HIGHLIGHT;55KU6400,PET,T0.1,W9	1	SNA
1		BN92-20419A	ASSY P/MATERIAL;UE49KU6400,43	1	SNA
.2		0203-006958	TAPE-OPP;ACRYL,T0.065,W75,L1500M,TRP,#31	3	SNA
.2		6902-002505	BAG ROLL;HDPE/PE FOAM,T0.5*,W800,L300M,T	3	SNA
.2		6922-000013	BAND;PP,W18,L2300/L2900,TRP	1	SNA
.2		BN01-00043A	SHEET-PROTECTION COVER;PE,T0.08,W980,ROL	0	SNA
.2	AS080	BN63-07229A	SHEET-PROTECTION COVER;rose70",PET,T0.05	1	SNA
.2	AS080	BN63-11092A	SHEET-PROTECTION COVER;PS51F8500,PE,W120	1	SNA

Level	Loc.	Part Code	Description & Specification	Qty.	SA/SNA
.2		BN69-13754A	CUSHION-SET;49KU6400,EPS,16.7g/l,WHT,QUA	1	SNA
.2		BN69-13758A	CUSHION-SET SIDE;49KU6400,EPS,16.7g/l,WH	1	SNA
..3		0103-005099	RESIN EPS;BASF303,Natural,Natural	669	SNA
.2		BN69-14016A	PALLET-WOODEN;UE49KU6409,WOOD,W1070,L135	1	SNA
.2		BN69-14065A	PAD-CUSHION FRONT;49KS7000,CB,W605,L1090	1	SNA
1		BN95-03231A	PRODUCT LCD DP;DP,BN95-02654B,SEH ONLY	1	SA
.2		BN74-00053E	TAPE-PAPER;PAPER,3M2307,0.14T,W20,50m,WH	0	SNA
.2		BN92-20678A	ASSY P/MATERIAL;CY-FK049BNEV2H,inhouse L	1	SNA
..3		BN69-13318B	CUSHION-PANEL;49KS7000,EPS,ESD,-,-,-,22.	1	SNA
...4		0103-005099	RESIN EPS;BASF303,Natural,Natural	4817	SNA
.2		BN95-02654B	PRODUCT LCD-BOE;CY-KK049HGEV2V/H,KU6400,	1	SA
..3		BN02-00043L	TAPE PET;Y13 slim F-LED,PET,T0.07,W20,L4	6	SNA
..3		BN68-05722A	LABEL-E PASS;POLYPROPYLENE,NON-COATING	1	SNA
..3		BN74-00053E	TAPE-PAPER;PAPER,3M2307,0.14T,W20,50m,WH	0	SNA
..3		BN90-08242A	ASSY MISC-BLU;Y16,LCM	1	SNA
...4		6001-002912	SCREW-MACHINE;CH,+,M3,L3,ZPC(BLK),SWRCH1	10	SA
...4	SCREW	6001-003016	SCREW-MACHINE;PWH,+,M3.0,L5.0,ZPC(WHT),S	4	SA
...4	CB18	BN61-13606A	BRACKET-STAND LINK;55KU6400,EGI-SECC,T1.	1	SNA
...4	CB18	BN61-13607A	BRACKET-STAND LINK;55KU6400,EGI-SECC,T1.	1	SNA
....5		BN61-09605A	STUD-PEM;LED TV F6100,SUM24L,L8	4	SNA
...4		BN61-13655A	OPTICAL SHEET-REFLECTOR;16Y_KU6400_Refle	1	SNA
...4		BN61-13656A	OPTICAL SHEET-DIFFUSER;16Y_KU6400_DIFFUS	1	SNA
...4		BN61-13657A	OPTICAL SHEET-COMPLEX;16Y_KU6400_COMPLEX	1	SNA
...4		BN61-13689A	LGP;16Y_KS9000_LGP,MS,1080.11x610.96,2.5	1	SNA
...4		BN61-14082A	HOLDER-LGP;55KS7000,PC,MOLD,WT0044,V-2	1	SNA
...4		BN96-39614B	ASSY CHASSIS REAR P;49KU6400,EGI-SECC,NA	1	SNA
....5		0203-006963	TAPE-DOUBLE FACE;ACRYL,40K5500,T0.15,W18	0	SNA
....5		0203-006968	TAPE-DOUBLE FACE;ACRYL,#4956,T1.5,W20,L3	0	SNA
....5	SCREW	6001-002759	SCREW-MACHINE;CH,+,M3,L4,ZPC(BLK),SWRCH1	4	SA
....5		6041-001068	RIVET-PH;SWRCH10A,OD3.2,L4.3,ZPC(WHT)	10	SNA
....5		BN02-00040B	TAPE DOUBLE FACE;NNB 32/40/46/55",PET,T0	1	SNA
....5		BN02-00102B	TAPE-FILAMENT;#8917,0.15,25,50,WHITE	0	SNA
....5		BN02-00352H	TAPE PET;49"MEGA 2,PET,T0.05,W15,L18,BLA	4	SNA
....5		BN02-00493A	TAPE PET;55KS9000,PET,T0.05,W5,L50,BLACK	5	SNA
....5		BN02-00508B	TAPE PET;49KS7000,PET,T0.05,W10,L45,BLAC	2	SNA
....5		BN02-00508E	TAPE PET;49KU6400,-,PET,T0.05,W13,L55,BL	5	SNA
....5		BN39-02179A	LEAD CONNECTOR-BLU;49KU6400_KU6500,UL210	1	SNA
....5		BN60-00988T	SPACER-SILICONE;55KS9000,SI,L10,BLACK,T2	4	SNA
....5		BN60-00988V	SPACER-SILICONE;55KU6400,Si,L10,GRAY,T3.	2	SNA
....5		BN61-04692A	ADHESIVE-AA;SHEET,CLEAR,C043	0	SNA

Exploded Views and Parts List

Level	Loc.	Part Code	Description & Specification	Qty.	SA/SNA
....5		BN61-08235A	HOLDER-LGP;SNB,SWRCH10A,BLACK,PRESS	2	SNA
....5		BN61-08235F	HOLDER-LGP;55KS7500,SWRCH10A,EXTRUSION,S	2	SNA
....5	CB20	BN61-11982B	BRACKET-WALL;55KS7000,CR-SPCC,T1.2,L15.5	4	SNA
....5		BN61-13327A	HOLDER-SHEET;55KS7500,ABS,BK0007,HB,COMM	5	SNA
....5		BN61-13349B	BRACKET-LED PCB;49KS7000,Al,T1.5,NATURAL	1	SNA
....5		BN61-13557A	BRACKET-WIRE;55KS7000,SW-C,T1,60,SILVER	3	SA
....5		BN61-13557E	BRACKET-WIRE;49KS7000,SW-C,T1,NATURAL,ZI	4	SA
....5	AH358	BN61-13908A	HOLDER-REAR;55KS9000,ABS,MOLD,BK0007,HB	4	SNA
....5		BN63-15364A	INSULATOR-SMPS;KS7000 49/55IN,PC,BLACK,L	1	SNA
....5		BN63-15442A	INSULATOR-SOURCE PCB RIGHT;49KS7000,PET,	1	SNA
....5		BN63-15443A	INSULATOR-SOURCE PCB LEFT;49KS7000,PET,B	1	SNA
....5	CC04	BN64-03353A	CHASSIS-REAR;49KS7000,EGI-SECC,PRESS,T0.	1	SNA
....6		BN01-00351B	STEEL;49KS7000,EGI-SECC,L1135,0.8,685,AG	1	SNA
...4		BN96-39671A	ASSY LED BAR P;49 KU6400(BOE),Left,ALUMI	1	SNA
...4		BN96-39672A	ASSY LED BAR P;49 KU6400(BOE),Right,ALUM	1	SNA
...4		BN96-40419A	ASSY FRAME P-MIDDLE TOP;49KU6400,PC+GF10	1	SNA
....5		BN61-13731A	FRAME-MIDDLE TOP;49KU6400,PC+GF10%,V2,BK	1	SNA
...4		BN96-40420A	ASSY FRAME P-MIDDLE BOTTOM;49KU6400,PC+G	1	SNA
....5		BN60-01269C	SPACER-FOAM;49KU6400,PU FOAM,L535,BLACK,	4	SNA
....5		BN60-01488B	SPACER-FOAM;49KU6400,PU FOAM,L1065,HCS-P	1	SNA
....5		BN61-13732A	FRAME-MIDDLE BOTTOM;49KU6400,PC+GF10%,V2	1	SNA
...4		BN96-40421A	ASSY FRAME P-MIDDLE LEFT RIGHT;49KU6400,	2	SNA
....5		BN60-01269D	SPACER-FOAM;49KU6400,PU FOAM,L605,BLACK,	2	SNA
....5		BN61-13733A	FRAME-MIDDLE LEFT RIGHT;49KU6400,PC+GF10	2	SNA
...3		BN96-39272A	ASSY OPEN CELL;HV490QUB-N8A,16:9,6	1	SNA
...4		BN81-12999A	A/S-IC DRIVER SOURCE;IC DRIVER SOURCE,47	1	SNA
...4		BN81-13001A	A/S-SOURCE PCB LEFT;SOURCE PCB LEFT,44-9	1	SNA
...4		BN81-13002A	A/S-SOURCE PCB RIGHT;SOURCE PCB RIGHT,44	1	SNA
...4		BN81-13153A	A/S-POLARIZER CF;POLARIZER CF,38-1002845	1	SNA
...4		BN81-13154A	A/S-POLARIZER TFT;POLARIZER TFT,38-10028	1	SNA
...3		BN96-39568B	ASSY COVER P-SOURCE PCB;49KS7000,EGI-SEC	1	SNA
...4		BN63-15310A	INSULATOR-SOURCE PCB RIGHT;49KS8000,PET,	1	SNA
...4		BN63-15316A	INSULATOR-SOURCE PCB LEFT;49KS8000,PET,B	1	SNA
...4		BN63-15646B	COVER-SOURCE PCB;49KS7000,EGI-SECC,T0.6,	1	SNA
...3		BN96-40422B	ASSY CHASSIS FRONT P;49KU6400,PC+ABS+ED1	1	SNA
...4		BN02-00112A	TAPE-POLY;PET,L65.8M,T0.09,W10,ROLL,GREE	0	SNA
...4		BN60-00667D	SPACER-CONDUCTIVE;Y13 SF-LED,CONDUCTIVE	3	SNA
...4		BN60-00715D	SPACER-CONDUCTIVE;LCM MNT 28,CONDUCTIVE	4	SNA
...4		BN60-01070D	SPACER-CONDUCTIVE;49KU6400,CONDUCTIVE FA	2	SNA
...4		BN60-01070E	SPACER-CONDUCTIVE;49KU6400,CONDUCTIVE FA	2	SNA

Level	Loc.	Part Code	Description & Specification	Qty.	SA/SNA
...4		BN63-10913A	FILM HOT STAMPING-NON CONDUCTIVE;UF8000,	4	SNA
...4		BN63-11875A	SHEET-PROTECTION COVER;Y14 SF-LED,AL,T0.	3	SNA
...4		BN64-03327A	BADGE-INLET;Ni,2001gf/in	1	SNA
...4	AC155	BN64-03501A	CHASSIS-FRONT;49KU6400,PC+ABS+ED18%,V-1,	1	SNA
....5		0103-010808	RESIN PC ABS;NH-1210/K21294,BLACK,BK0007	160	SNA
.2		BN96-39820B	FFC CABLE;43KS7500,Fold,L500,96P	2	SA