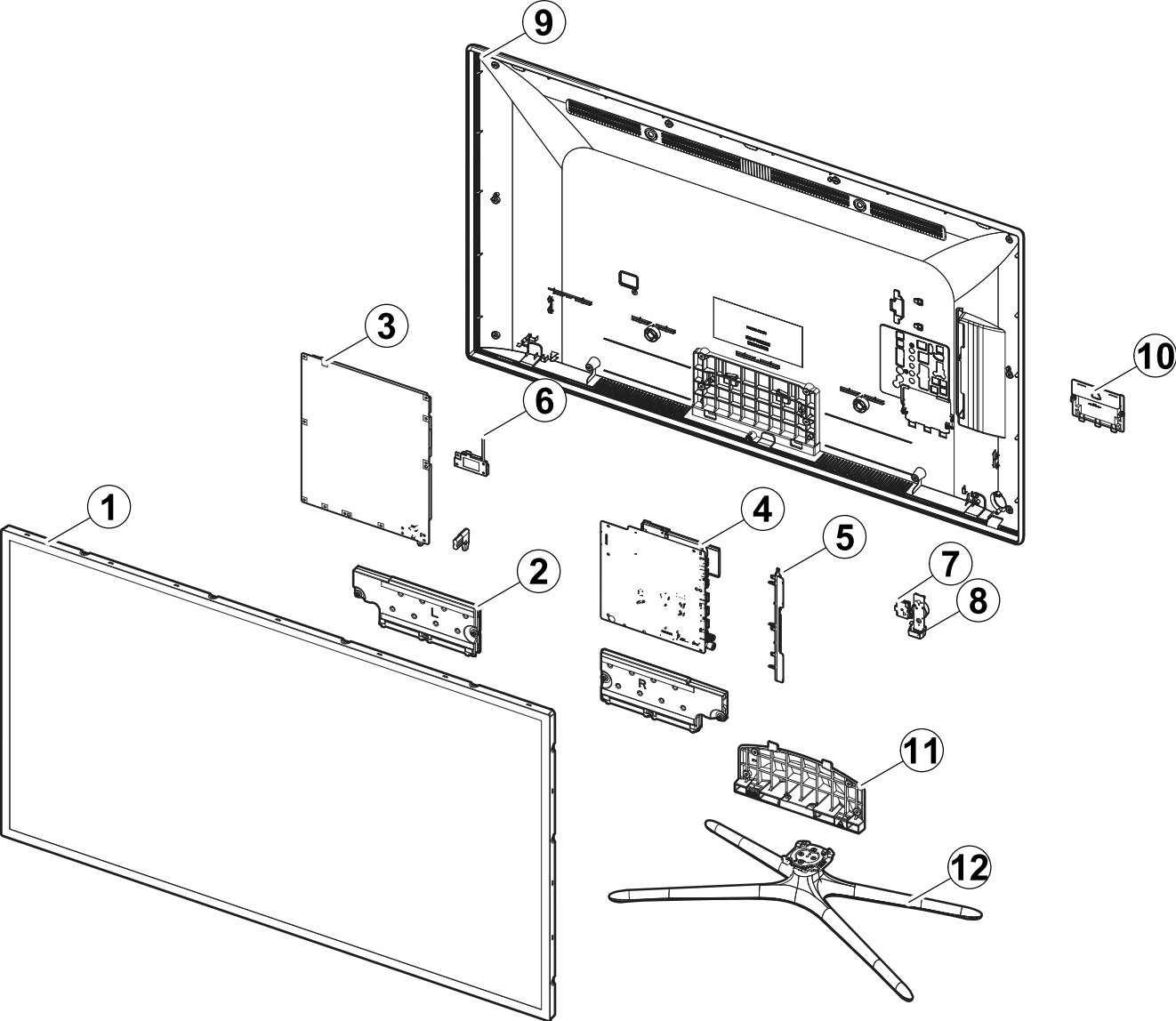


1. Exploded View & Part List

Exploded View



Parts List

No.	Lvl.	Loc.	Material Code	Description & Specification	SNA	Qty.
1	2	PANEL	BN07-01275A	LCD-PANEL; HF460CSA-B1,BFH7CA1,10bit,46 I	SA	1
2	2	SP01A	BN96-25565B	ASSY SPEAKER P; 6ohm,10W,Enclosure_6000	SA	1
3	2	P001A	BN44-00623B	DC VSS-LED TV PD BD; L46X1Q_DHS,L46X1Q_DH	SA	1
4	2	M0014	BN94-06624S	ASSY PCB MAIN; UE46F6320AWXXC	SA	1
5	3		BN61-08813D	HOLDER-SIDE AV; F6100/6300,ABS+PC,WINERED	SNA	1
6	3	NW01	BN59-01161A	NETWORK; WIDT-30Q,Internal WiFi,USB,IEEE8	SA	1
7	3	BT	BN96-25376A	ASSY BOARD P-RF-MODULE; Bluetooth Module,	SA	1
8	5	5WAY	BN96-26401A	ASSY BOARD P-JOG SWITCH & IR; UE32F5000,F	SNA	1
9	3		BN96-26636T	ASSY COVER P-MIDDLE,REAR; UF6320 46,EUROP	SA	1
10	2	FC05	BN63-10178F	COVER-JACK; UF6100/6300 40"-50" EO,ABS+PC	SNA	1
11	2	SG01A	BN96-25543A	ASSY GUIDE P-STAND; UF6100 40,QUAD	SA	1
12	2	SB04A	BN96-25548A	ASSY STAND P-BASE; UF6100 46,QUAD Chrome	SA	1

2. Electrical Parts List

Level	Loc.	Part Code	Description & Specification	Qty.	SA/SNA
			UE46F6320AWXZF (AH02)		
1	S001A	BN90-04383A	ASSY STAND;PF5 43/51	1	SNA
.2	SG01A	BN96-25543A	ASSY GUIDE P-STAND;UF6100 40,QUAD	1	SA
..3	SG03	BN61-08823A	GUIDE-STAND;UF6100 55",PC+GF,G/F 20%	1	SA
..3		BN69-08751A	WRAP VINYL-SHRINK;STAND,PLASTIC OTHERS,P	0	SNA
..3		BN96-18013E	ASSY ACCESSORY-SCREW;6003-001782,4EA,ALL	2	SNA
...4	SCREW	6003-001782	SCREW-TAPTYPE;BH,+,B,M4,L12,ZPC(BLK),SWR	8	SA
...4		BN69-08203E	PACKING-BAG-SCREW;LDPE,0.05,70,90,TRP,Vi	2	SNA
.2	SB04A	BN96-25548A	ASSY STAND P-BASE;UF6100 46,QUAD Chrome	1	SA
..3		6002-001294	SCREW-TAPPING;BH,+,M4,L16,ZPC(BLK)	4	SA
..3	SCREW	6003-001425	SCREW-TAPTYPE;BH,+,B,M4,L25,ZPC(BLK),SWR	4	SNA
..3	SCREW	6003-001785	SCREW-TAPTYPE;FH,+,B,M4,L8,ZPC(BLK),SWRC	4	SA
..3	SCREW	6003-001832	SCREW-TAPTYPE;FH,+,B,M4,L30,ZPC(BLK),SWR	1	SNA
..3		BN61-07159C	HOLDER-SWIVEL, TOP;46/50/55 QUAD STAND, AC	1	SNA
..3		BN61-07739A	BRACKET-SWIVEL, BOTTOM;UD8000 46/55 QUAD,	1	SNA
..3		BN61-07745A	BRACKET-SWIVEL, TOP;UD8000 46"/55" QUAD, S	1	SNA
..3		BN61-08737A	HOLDER-SWIVEL, BOTTOM;46-55 SLIM QUAD STA	1	SNA
...4		0103-009825	RESIN-POM;TS-25A, Dark Gray, GY0199, HB	6	SNA
..3		BN61-08738A	HOLDER-STAND, NECK;46-55 SLIM QUAD STAND,	1	SNA
...4		0103-007285	RESIN-PC;MW32020GFU, K032202GFV, BK0007, V2	70	SNA
..3		BN61-08739A	BRACKET-STAND, TOP;46-55 SLIM QUAD STAND,	1	SNA
..3		BN61-08740A	BRACKET-STAND, BOTTOM;46-55 SLIM QUAD STA	1	SNA
..3		BN63-05135E	COVER-SHEET;4-LEG, Rhcm PE Vinyl, T0.05, W6	2	SNA
..3		BN63-10158A	COVER-STAND, TOP-FRONT;46-55 SLIM QUAD ST	1	SNA
..3		BN63-10159A	COVER-STAND, TOP-REAR-LEFT;46-55 SLIM QUA	1	SNA
..3		BN63-10160A	COVER-STAND, TOP-REAR-RIGHT;46-55 SLIM QU	1	SNA
..3		BN63-10161A	COVER-STAND, BASE;46-55 SLIM QUAD STAND, A	1	SNA
...4		0103-005041	RESIN-PC;FR3200TV, 901408, BK0008, 1.2mm V-	180	SNA
...4		BN68-00513D	LABEL-RESIN;resin,-, art paper,-, 10,25,-,	1	SNA
..3		BN67-00385D	RUBBER-FOOT;RUBBER-FOOT, SILICONE, ROUND, 1	4	SNA
..3	T0527	BN68-00513A	LABEL-E,PASS;ALL MODEL, YUPO(110G), 40X15,	1	SNA
1		BN90-04578K	ASSY W/I;UF6K	1	SNA
.2		BN81-08159Z	PART SET-ELEC W/I;UF4* ~ UF8* ELEC	1	SNA
.2		BN81-08174R	PART SET-MECH W/I;UF6P,U46FP*	1	SNA
1		BN90-04770C	ASSY COVER MIDDLE;UF6100 46	1	SNA
.2		6001-002755	SCREW-MACHINE;BH,+,M3,L6,ZPC(BLK),SWRCH1	14	SA
.2	SCREW	6003-001782	SCREW-TAPTYPE;BH,+,B,M4,L12,ZPC(BLK),SWR	3	SA
.2		BN96-29336E	ASSY COVER P-MIDDLE, REAR;UE46F61,,,,,BN	1	SNA

Exploded Views and Parts List

Level	Loc.	Part Code	Description & Specification	Qty.	SA/SNA
...3	NW01	BN59-01161A	NETWORK;WIDT-30Q,Internal WiFi,USB,IEEE8	1	SA
...3	BT	BN96-25376A	ASSY BOARD P-RF-MODULE;Bluetooth Module,	1	SA
...4	AS BT	BN81-08545A	A/S-BT;Bluetooth Module SCREW	1	SNA
...4		BN97-07275A	ASSY MICOM-BLUETOOTH F/W;BN81-08385A	1	SNA
...5		BN81-08385A	AS-BLUETOOTH F/W;BLUETOOTH F/W	1	SNA
...3		BN96-26636T	ASSY COVER P-MIDDLE,REAR;UF6320 46,EUROP	1	SA
...4		0203-001598	TAPE-FILAMENT;#8915,0.15,12,55000,CLR	0	SNA
...4	SCREW	6003-000115	SCREW-TAPTYPE;BH,+,B,M3,L6,ZPC(BLK),SWRC	2	SA
...4		BN63-08608B	COVER-SHEET;RhcM,PE Vinyl,T 0.04,80MM,20	3	SNA
...4		BN63-10189B	COVER-MIDDLE,REAR;F6100/6170 46,PC/PC+AB	1	SNA
...5		0103-007268	RESIN-PC;TN-1045M,70784,TP0010,0.8, 3.0	500	SNA
...5		0103-009587	RESIN-PC ABS;NE-1010,431322,RD0071,1.5 V	2300	SNA
...5		BN68-00513D	LABEL-RESIN;resin,-,art paper,-,10,25,-,	1	SNA
...4		BN63-10851A	SHEET-COVER;UF5000,PET,0.1,45,16,BLACK	2	SNA
...4	T0071	BN64-02224J	INLAY-TERMINAL;UF6200-F6800,PS SHEET,T0.	1	SNA
...4	T0527	BN68-00513A	LABEL-E,PASS;ALL MODEL,YUPO(110G),40X15,	1	SNA
...4		BN68-03518D	LABEL-STICKER-CI SLOT;WW,ALL,PE,132.5,72	1	SNA
...4		BN68-04709S	LABEL-TERMINAL SIDE;UF6300,PET,T0.05,UO/	1	SNA
...4	FB01A	BN96-26401F	ASSY BOARD P-JOG SWITCH & IR;UE46F6400,F	1	SA
...5	EC13	BN39-01772C	LEAD CONNECTOR;UE46F6400,Cable Connector	1	SNA
...5	5WAY	BN96-26401A	ASSY BOARD P-JOG SWITCH & IR;UE32F5000,F	1	SNA
1		BN91-10254W	ASSY SHIELD;F6320, 46	1	SNA
.2		6001-003016	SCREW-MACHINE;PWH,+,M3.0,L5.0,ZPC(WHT),S	9	SA
.2	EC13	BN39-01475C	LEAD CONNECTOR;UN46C6500,Falt Connector,	1	SA
.2	EC14	BN39-01744A	LEAD CONNECTOR-LED WIRE HARNESS;DIRECT w	1	SA
.2	P001A	BN44-00623B	DC VSS-LED TV PD BD;L46X1Q_DHS,L46X1Q_DH	1	SA
.2	FC05	BN63-10178F	COVER-JACK;UF6100/6300 40"-50" EO,ABS+PC	1	SNA
...3		0103-009587	RESIN-PC ABS;NE-1010,431322,RD0071,1.5 V	20	SNA
.2	LVDS	BN96-24278P	ASSY CABLE P-FFC;UE46F6470,FFC,350mm,51P	1	SA
.2	SP01A	BN96-25565B	ASSY SPEAKER P;6ohm,10W,Enclosure_6000	1	SA
1		BN91-11065A	ASSY LCD-AUO;BN07-01275A	1	SNA
.2	PANEL	BN07-01275A	LCD-PANEL;HF460CSA-B1,BFH7CA1,10bit,46 I	1	SA
...3		BN81-08319A	A/S-CHASS-TOP;F6100 46",AUO(Briview)	1	SNA
...3		BN96-25504A	ASSY T CON P;HF460CSA-B1,10bit,46 inch,F	1	SA
1	M0017	BN91-11310S	ASSY CHASSIS;UE46F6320AWXXC	1	SNA
.2	M0014	BN94-06624S	ASSY PCB MAIN;UE46F6320AWXXC	1	SA
...3		BN61-08813D	HOLDER-SIDE AV;F6100/6300,ABS+PC,WINERED	1	SNA
...4		0103-009587	RESIN-PC ABS;NE-1010,431322,RD0071,1.5 V	13	SNA
...3		BN62-00365B	HEAT SINK-PS;F 4k,5k,6k,A1050,ANODIZING,	1	SNA
...3		BN62-00367A	PAD GAP;F6400,SILICON,35 35 mm,6.5,Light	1	SNA

Level	Loc.	Part Code	Description & Specification	Qty.	SA/SNA
..3		BN67-00364C	RUBBER-FOOT;X13,RUBBER,10*10,6,Dark Gray	1	SNA
..3		BN97-07019Y	ASSY SMD;F6400,EUROPE,PAL,DVB-T/C	1	SNA
...4		0202-001899	SOLDER-CREAM;M705-GRN360-K2-VT,25-36um,S	5	SNA
...4	DS01A	0401-001056	DIODE-SWITCHING;MMBD4148SE,100V,200mA,SO	2	SA
...4		0403-001783	DIODE-ZENER;BZB84-C6V2,5.8/6.6V,300mW,SO	4	SNA
...4		0404-001404	DIODE-SCHOTTKY;BAT721C,40V,200mA,SOT-23,	3	SA
...4		0406-001200	DIODE-TVS;RCLAMP0504F,6/-V,150W,SC-70	4	SA
...4		0406-001271	DIODE-TVS;RCLAMP0524P,6/-V,150W,SLP251	1	SNA
...4		0501-000279	TR-SMALL SIGNAL;KSA1182-Y,PNP,150mW,SOT-	2	SA
...4		0501-000445	TR-SMALL SIGNAL;KTC3875S-Y,NPN,150mW,SOT	10	SC
...4		0505-000110	FET-SILICON;2N7002,N,60V,115mA,7.5ohm,0.	10	SA
...4		0505-002560	FET-SILICON;AO6415,P,-20V,-3.3A,0.15ohm,	1	SA
...4		0505-002598	FET-SILICON;AP2317GN,P,-20V,-4.2A,0.052o	1	SA
...4		0801-002701	IC-CMOS LOGIC;74VHCT125A,BUFFER,TSSOP,14	1	SA
...4		0801-002780	IC-CMOS LOGIC;74LVC1G17,SCHMITT-TRIGGER	1	SA
...4		0801-003330	IC-CMOS LOGIC;Octal buffer,DQFN,20P,4.5x	2	SA
...4		0904-002803	IC-USC;AU6258S-JKF,QFN,28Z30,5.0mm X 5.0	1	SNA
...4		1001-001545	IC-ANALOG MULTIPLEX;TS3USB221ERSER,R-PQF	1	SA
...4		1103-001487	IC-EEPROM;AT24C256C-SSHL-T,256Kbit,32Kx8	1	SA
...4		1105-002338	IC-DDR3 SDRAM;K4B4G1646B-HCMA,DDR3 1866,	1	SA
...4		1105-002430	IC-DDR3 SDRAM;K4B2G1646E-BCMA,DDR3 1866,	2	SA
...4		1201-003183	IC-AUDIO AMP;DRV612,HTSSOP,14P,5x4.4mm,D	1	SA
...4		1201-003526	IC-AUDIO AMP;TAS5745,QFP,48Z30,7x7mm,DUA	1	SNA
...4		1203-004364	IC-VOL. DETECTOR;RT9818C-42PV,SOT-23,3P,	1	SA
...4		1203-006109	IC-POSI.FIXED REG.;S-1206B33-M3T1G,SOT-2	2	SA
...4		1203-006130	IC-POSI.FIXED REG.;S-1172B25-U5T1G,SOT-8	1	SA
...4		1203-006135	IC-POSI.FIXED REG.;AP1117D-33-GZ-13-89,T	1	SA
...4		1203-006136	IC-POSI.FIXED REG.;AP1117D-18-GZ-13-89,T	1	SA
...4		1203-006138	IC-POSI.ADJUST REG.;AP1117DGZ-13-89,TO-2	1	SA
...4		1203-007238	IC-PWM CONTROLLER;TPS54427,DDA,8P,4.8x3.	1	SNA
...4		1203-007242	IC-POSI.ADJUST REG.;G2992BP11U,SOP-8,8P,	1	SA
...4		1203-007502	IC-DC/DC CONVERTER;AOZ3011PI,SO-8,8Z30,4	1	SA
...4		1203-007695	IC-DC/DC CONVERTER;AOZ3018,SO-8,8Z30,4.9	1	SNA
...4		1203-007728	IC-VOL. DETECTOR;RT9831GQW,QW : WQFN-20L	1	SA
...4		1204-003421	IC-DECODER;SEMS30,PBGA,729Z30,21.6x21.6m	1	SA
...4		1205-004447	IC-SWITCH;TPS2051CDBVR,SOT23-5,5P,3x1.65	4	SA
...4		1205-004691	IC-SWITCH;BD82022FVJ,MSOP-8L JEDEC,8Z30,	1	SNA
...4		1405-001271	VARISTOR;35V,20Vdc,5A,1.0x0.5x0.6mm,TP,1	28	SA
...4		2007-000137	R-CHIP;2Kohm,5%,1/16W,TP,1005	13	SNA
...4		2007-000138	R-CHIP;100ohm,5%,1/16W,TP,1005	12	SA

Exploded Views and Parts List

Level	Loc.	Part Code	Description & Specification	Qty.	SA/SNA
...4		2007-000142	R-CHIP;2.7Kohm,5%,1/16W,TP,1005	1	SNA
...4		2007-000143	R-CHIP;4.7Kohm,5%,1/16W,TP,1005	50	SNA
...4		2007-000148	R-CHIP;10Kohm,5%,1/16W,TP,1005	43	SA
...4		2007-000153	R-CHIP;22Kohm,5%,1/16W,TP,1005	6	SNA
...4		2007-000155	R-CHIP;27Kohm,5%,1/16W,TP,1005	1	SNA
...4		2007-000157	R-CHIP;47Kohm,5%,1/16W,TP,1005	16	SNA
...4		2007-000170	R-CHIP;1Mohm,5%,1/16W,TP,1005	3	SNA
...4		2007-000171	R-CHIP;0ohm,5%,1/16W,TP,1005	12	SNA
...4		2007-000172	R-CHIP;10ohm,5%,1/16W,TP,1005	5	SNA
...4		2007-000173	R-CHIP;22ohm,5%,1/16W,TP,1005	12	SNA
...4		2007-000174	R-CHIP;47ohm,5%,1/16W,TP,1005	2	SNA
...4		2007-000256	R-CHIP;1.6Kohm,1%,1/10W,TP,1608	1	SA
...4		2007-000336	R-CHIP;120Kohm,1%,1/10W,TP,1608	1	SA
...4		2007-000583	R-CHIP;22Kohm,1%,1/10W,TP,1608	2	SA
...4		2007-000695	R-CHIP;3.3ohm,5%,1/10W,TP,1608	2	SNA
...4		2007-000775	R-CHIP;33Kohm,5%,1/16W,TP,1005	1	SNA
...4		2007-000803	R-CHIP;36Kohm,1%,1/10W,TP,1608	2	SA
...4		2007-000857	R-CHIP;4.3Kohm,1%,1/10W,TP,1608	5	SNA
...4		2007-000932	R-CHIP;470ohm,5%,1/16W,TP,1005	3	SNA
...4		2007-000979	R-CHIP;5.6Kohm,1%,1/10W,TP,1608	1	SA
...4		2007-001116	R-CHIP;680ohm,1%,1/10W,TP,1608	1	SA
...4		2007-001125	R-CHIP;68Kohm,1%,1/10W,TP,1608	1	SA
...4		2007-001168	R-CHIP;75ohm,5%,1/4W,TP,3216	1	SA
...4		2007-001288	R-CHIP;18ohm,5%,1/16W,TP,1005	4	SA
...4		2007-001292	R-CHIP;33ohm,5%,1/16W,TP,1005	14	SNA
...4		2007-001298	R-CHIP;51ohm,5%,1/16W,TP,1005	2	SNA
...4		2007-001301	R-CHIP;68ohm,5%,1/16W,TP,1005	7	SA
...4		2007-002970	R-CHIP;56ohm,5%,1/16W,TP,1005	4	SA
...4		2007-003015	R-CHIP;2.2ohm,5%,1/16W,TP,1005	1	SNA
...4		2007-003022	R-CHIP;62ohm,5%,1/16W,TP,1005	26	SNA
...4		2007-007001	R-CHIP;3.9Kohm,5%,1/16W,TP,1005	1	SA
...4		2007-007095	R-CHIP;390ohm,5%,1/16W,TP,1005	1	SA
...4		2007-007107	R-CHIP;100Kohm,1%,1/16W,TP,1005	8	SNA
...4		2007-007135	R-CHIP;18Kohm,1%,1/16W,TP,1005	4	SNA
...4		2007-007138	R-CHIP;27Kohm,1%,1/16W,TP,1005	1	SNA
...4		2007-007142	R-CHIP;10Kohm,1%,1/16W,TP,1005	2	SNA
...4		2007-007156	R-CHIP;1ohm,5%,1/16W,TP,1005	13	SNA
...4		2007-007238	R-CHIP;8.25Kohm,1%,1/10W,TP,1608	1	SA
...4		2007-007316	R-CHIP;3.3Kohm,1%,1/16W,TP,1005	3	SNA
...4		2007-007318	R-CHIP;1Kohm,1%,1/16W,TP,1005	33	SNA

Level	Loc.	Part Code	Description & Specification	Qty.	SA/SNA
...4		2007-007331	R-CHIP;90.9Kohm,1%,1/10W,TP,1608	1	SA
...4		2007-007463	R-CHIP;1.1Kohm,1%,1/16W,TP,1005	1	SA
...4		2007-007470	R-CHIP;7.5Kohm,1%,1/16W,TP,1005	1	SNA
...4		2007-007517	R-CHIP;240ohm,1%,1/16W,TP,1005	4	SNA
...4		2007-007538	R-CHIP;56Kohm,1%,1/16W,TP,1005	1	SA
...4		2007-007766	R-CHIP;2Kohm,1%,1/16W,TP,1005	3	SNA
...4		2007-007942	R-CHIP;1Mohm,1%,1/16W,TP,1005	1	SNA
...4		2007-007981	R-CHIP;180Kohm,1%,1/16W,TP,1005	1	SNA
...4		2007-008015	R-CHIP;75ohm,1%,1/16W,TP,1005	11	SNA
...4		2007-008133	R-CHIP;56.2Kohm,1%,1/10W,TP,1608	1	SA
...4		2007-008137	R-CHIP;24Kohm,1%,1/16W,TP,1005	2	SNA
...4		2007-008275	R-CHIP;30Kohm,1%,1/16W,TP,1005	1	SNA
...4		2007-008298	R-CHIP;49.9ohm,1%,1/16W,TP,1005	4	SA
...4		2007-008426	R-CHIP;12.4Kohm,1%,1/10W,TP,1608	1	SA
...4		2007-008649	R-CHIP;220ohm,1%,1/16W,TP,1005	1	SNA
...4		2007-008807	R-CHIP;53.6Kohm,1%,1/16W,TP,1005	1	SA
...4		2011-001261	R-NETWORK;33ohm,5%,1/16W,L,CHIP,8P,TP,2.	2	SA
...4		2011-001262	R-NETWORK;22ohm,5%,1/16W,L,CHIP,8P,TP,2.	1	SA
...4		2011-001344	R-NETWORK;100ohm,5%,1/16W,L,CHIP,8P,TP,2	4	SA
...4		2011-001449	R-NETWORK;22ohm,5%,1/16W,L,4P,TP,1010	5	SA
...4		2011-001506	R-NETWORK;10Kohm,5%,1/16W,L,CHIP,4P,TP,1	6	SNA
...4		2011-001527	R-NETWORK;4.7Kohm,5%,1/16W,L,CHIP,4P,TP,	5	SNA
...4		2011-001587	R-NETWORK;100ohm,5%,1/16W,L,CHIP-V,4P,TP	5	SNA
...4	AD480	2203-000233	C-CER,CHIP;0.1nF,5%,50V,C0G,TP,1005	6	SA
...4	AD480	2203-000386	C-CER,CHIP;0.015nF,5%,50V,C0G,TP,1005	3	SA
...4	AD480	2203-000425	C-CER,CHIP;0.018nF,5%,50V,C0G,TP,1005	3	SA
...4	AD480	2203-000438	C-CER,CHIP;1nF,10%,50V,X7R,TP,1005	12	SA
...4	AD480	2203-000489	C-CER,CHIP;2.2nF,10%,50V,X7R,TP,1005	7	SA
...4	AD480	2203-000530	C-CER,CHIP;2.7nF,10%,50V,X7R,TP,1005,-	1	SNA
...4	AD480	2203-000575	C-CER,CHIP;220nF,10%,25V,X7R,TP,2012	6	SNA
...4	AD480	2203-000679	C-CER,CHIP;0.027nF,5%,50V,C0G,TP,1005	2	SA
...4	AD480	2203-000812	C-CER,CHIP;0.033nF,5%,50V,C0G,TP,1005	7	SA
...4	AD480	2203-000995	C-CER,CHIP;0.047nF,5%,50V,C0G,TP,1005	3	SA
...4	AD480	2203-002285	C-CER,CHIP;10nF,10%,50V,X7R,TP,1005	21	SNA
...4	AD480	2203-002525	C-CER,CHIP;0.56nF,10%,50V,X7R,TP,1005	4	SNA
...4	AD480	2203-002711	C-CER,CHIP;100nF,10%,25V,X7R,TP,1608	3	SA
...4	AD480	2203-003039	C-CER,CHIP;0.008nF,0.25pF,50V,C0G,TP,100	2	SNA
...4	AD480	2203-005249	C-CER,CHIP;100nF,10%,50V,X7R,TP,1608	5	SNA
...4	AD480	2203-005344	C-CER,CHIP;22nF,10%,25V,X7R,TP,1005,0.5T	3	SNA
...4	AD480	2203-005642	C-CER,CHIP;0.22nF,5%,50V,NP0,TP,1005	2	SNA

Exploded Views and Parts List

Level	Loc.	Part Code	Description & Specification	Qty.	SA/SNA
...4	AD480	2203-005968	C-CER,CHIP;4.7nF,10%,50V,X7R,TP,1005,0.5	2	SNA
...4	AD480	2203-006048	C-CER,CHIP;100nF,10%,10V,X7R,TP,1005	122	SA
...4	AD480	2203-006126	C-CER,CHIP;47nF,10%,16V,X7R,TP,1005	17	SNA
...4	AD480	2203-006324	C-CER,CHIP;2200nF,10%,10V,X5R,TP,1608	6	SA
...4	AD480	2203-006348	C-CER,CHIP;1000nF,10%,25V,X5R,TP,1608,0.	4	SA
...4	AD480	2203-006361	C-CER,CHIP;10000nF,10%,10V,X5R,TP,2012	21	SC
...4	AD480	2203-006474	C-CER,CHIP;22000nF,20%,6.3V,X5R,TP,2012	26	SA
...4	AD480	2203-006562	C-CER,CHIP;1000nF,10%,10V,X5R,TP,1005	19	SNA
...4	AD480	2203-006824	C-CER,CHIP;4700nF,10%,10V,X5R,TP,1608,-	9	SNA
...4	AD480	2203-006890	C-CER,CHIP;10000nF,20%,6.3V,X5R,TP,1608	20	SNA
...4	AD480	2203-006992	C-CER,CHIP;0.33nF,5%,50V,C0G,TP,1005	2	SNA
...4	AD480	2203-007176	C-CER,CHIP;10000nF,10%,16V,X5R,TP,2012,1	8	SNA
...4	AD480	2203-007513	C-CER,CHIP;10000nF,10%,10V,X5R,TP,1608,0	4	SA
...4		2703-000158	INDUCTOR-SMD;1uH,10%,2012,.40ohm,50mA,45,	4	SA
...4		2703-001229	INDUCTOR-SMD;2.2uH,10%,1608,1.150hm,15mA	1	SC
...4		2703-001938	INDUCTOR-SMD;56nH,5%,1005,1.50hm,200mA,1	3	SA
...4		2703-003713	INDUCTOR-SMD;1.5uH,20%,7366,0.015ohm,700	2	SA
...4		2703-003790	INDUCTOR-SMD;4.7uH,20%,8080,0.025ohm,450	1	SA
...4		2703-003930	INDUCTOR-SMD;4.7uH,20%,5050,0.0720hm,245	4	SA
...4		2801-000102	CRYSTAL-SMD;12MHz,30ppm,12pF,100ohm,TP	1	SA
...4		2801-003326	CRYSTAL-SMD;24MHz,30ppm,28-ABX,20pF,50oh	1	SA
...4		2801-003856	CRYSTAL-SMD;0.032768MHz,20ppm,28-ACP,7pF	1	SNA
...4		2801-004775	CRYSTAL-SMD;12MHz,30ppm,16pF,30ohm,TP	1	SNA
...4		3301-000314	BEAD-SMD;120ohm,1608,TP,120ohm/100MHz	8	SNA
...4		3301-002039	BEAD-SMD;26ohm,1608,TP	29	SA
...4		3601-001374	FUSE-SURFACE MOUNT;32V,5A,FAST-ACTING,PL	1	SA
...4		3701-001856	CONNECTOR-HDMI;19P,2ROW,FEMALE,SMD-S,AU	1	SA
...4		3701-001861	CONNECTOR-HDMI;19P,2ROW,FEMALE,SMD-A,AU	3	SA
...4		3707-001106	CONNECTOR-OPTICAL;STRAIGHT W/L,SPDIF	1	SA
...4		3708-003073	CONNECTOR-FPC/FFC/PIC;51P,0.5mm,SMD,AU,N	1	SNA
...4		3710-003374	CONNECTOR-SOCKET;64P,2R,0.5mm,ANGLE,NI+S	1	SA
...4	EH01	3711-007742	HEADER-BOARD TO CABLE;BOX,20P,2R,2mm,ANG	1	SA
...4	EH01	3711-008131	HEADER-BOARD TO CABLE;BOX,4P,1R,2.5mm,AN	1	SA
...4	EH01	3711-008558	HEADER-BOARD TO CABLE;BOX,26P,2R,1.25mm,	1	SA
...4		3722-003229	JACK-MODULAR;8P/8C W/L, Y,STRAIGHT,N,Au,1	1	SA
...4		3722-003457	JACK-USB;4P/1C,NI,BLK,A	3	SA
...4		3722-003546	JACK-PIN;5P+Screw hole,NI+SN,G,Y/BLU/RED	1	SA
...4		3722-003617	JACK-PHONE;14P/2C,SN,BLK,STRAIGHT,3.6PI,	1	SA
...4		3722-003655	JACK-SCART;21P,SN,BLK	1	SA
...4	ET01	BN40-00256A	TUNER;DTOS40EIH035A,DTOS40EIH035A,DVB-TC	1	SA

Level	Loc.	Part Code	Description & Specification	Qty.	SA/SNA
...4		BN41-01958A	PCB MAIN;X12, LED 6 Series,FR-4,4,A,1.2T	1	SNA
...4		BN97-07121A	ASSY MICOM;X12-PM51-0011-130709,2013.07.	1	SNA
....5		1107-002226	IC-NOR FLASH;W25Q40CLSSIP,4Mbit,SOIC,8P,	1	SNA
...4		BN97-07122A	ASSY MICOM;T-MST12DEUC-XXXX,U85A,2012.11	1	SNA
....5		1107-002077	IC-NAND FLASH;KLM4G1FE3B-B001,4Gbyte,32G	1	SA
...4		BN97-07123A	ASSY MICOM;T-MST12DEUS-1009,2013.06.19	1	SNA
....5		0903-001863	IC-MICROCONTROLLER;WT61P807-RG48,LQFP,48	1	SNA
...4		BN97-07278A	ASSY MICOM-BLASTER;Blaster-Version:3.03,	1	SNA
....5		BN13-00063A	PLD;MAXQ610J,QFN,44	1	SNA
..3		BN97-07143A	ASSY DRM-KEY;CI(BN46-00115J),HDCP(BN46-0	1	SNA
...4		BN46-00109H	KEY CODE-CERTIFI;MAC,TV/AV,General	1	SNA
...4		BN46-00110N	KEY CODE-CERTIFI;MIRACAST,TV,X12 /X13	1	SNA
...4		BN46-00115J	KEY CODE-CERTIFI;CI+,TV,2013X,Euro	1	SNA
1		BN92-11717A	ASSY P/MATERIAL;UF6000 40	1	SNA
.2		6902-000379	BAG AIR;LDPE,T0.2,W1000,L1800,TRP,1260.0	1	SNA
.2		6922-000003	BAND PP;PP,T0.8,W18,L1650M,TRP,DA69-9014	1	SNA
.2		BN68-02422B	LABEL-WARNING SHIPPING;ALL MODEL,A/P 100	1	SNA
.2		BN69-03982L	PAD PACKING-EDGE;EDGE,PAPER,-,T5,W100,L2	1	SNA
.2		BN69-05418A	PACKING-BAG WRAPPING;-LDPE,-,0,019,500,	3	SNA
.2		BN69-06640B	PACKING-PAD;PAD,PAPER,-,-,CB-SW4,910,129	1	SNA
.2		BN69-06680A	PACKING-BAG SHEET ROLL;-CB,-,FOAM 0,5mm	2	SNA
.2		BN69-08095G	PALLET;F55_F61-65 46",WOOD,20mm,920,1340	1	SNA
.2		BN69-08268A	CUSHION-FRONT;UF6100, 50,EPS	1	SNA
..3		0103-005099	RESIN-EPS;BASF303,Natural,Natural	72	SNA
.2		BN69-08273A	CUSHION-SET;UF6200, 46 ,WW,EPS	1	SNA
.2		BN74-00008D	TAPE-OPP MASKING;OPP,T0.05,W75,L800M,CLR	3	SNA
1		BN92-12402X	ASSY BOX;UF6100, 46	1	SNA
.2		BH68-00662A	LABEL BOX-01;ALL MODEL,ART PAPER,60,110,	1	SNA
.2		BN69-08559K	BOX-SET;46UF6320-QS,CB,A-01,DW2,YEL,W132	1	SNA
1		BN92-13312H	ASSY LABEL;F6***	1	SNA
.2		BN02-00102B	TAPE FILAMENT;UE7000,#893,0.15,25,50,WHI	0	SNA
.2		BN68-04913E	LABEL-LED HIGHLIGHT STICKER;F8500,8000,7	1	SNA
.2		BN68-05118C	LEAFLET-04,QSG;UF6200 ~ UF6700,EU N.AFRI	1	SNA
.2	T0527	BP68-00052B	LABEL-00,RATING;FPTV,PET,T0.05,93,73	1	SNA
1	ACCE1	BN92-13436H	ASSY ACCESSORY;F6320	1	SNA
.2		BN68-04916P	LABEL-STICKER;UF6P,EDC,PET,T0.1,60,125,E	1	SNA
.2	3DGLA	BN96-25614A	ASSY ACCESSORY 3D GLASSES;SSG-5100GB,ln	1	SC
..3		BN81-09133A	A/S-GLASSES;SSG-5150GB,only glasses	1	SNA
.2		BN96-29414R	ASSY ACCESSORY MANUAL/CABLE;UE46F6320AWX	1	SNA
..3		3709-001791	CONNECTOR-CARD SLOT;64P,0.5mm,SMD-A,AU,P	1	SA

Exploded Views and Parts List

Level	Loc.	Part Code	Description & Specification	Qty.	SA/SNA
..3	T0268	3903-000849	CBF-POWER CORD;DT,CEE,LP-21L,250V,2.5A,B	1	SA
..3		4301-000121	BATTERY-MN;1.5V,R03,10.5x44.5m,7.5g,AAA	2	SNA
..3		6902-000110	BAG PE;LDPE,T0.05,W250,L400,TRP,28,2,9.2	1	SNA
..3	REMO2	AA59-00790A	REMOCON;TM1250,49,3.0V,F6370, F6300, F62	1	SA
..3		BN61-08370A	HOLDER-WIRE STAND;26UE4000 GIUDE STAND,N	1	SA
..3	M9889	BN63-01798B	CLOTH-CLEAN;CLOTH,sea blue,ToC	1	SNA
..3		BN68-00514K	MANUAL FLYER-03,WARRANTY CARD;comm,Samsu	1	SNA
..3		BN68-04735A	LABEL-E,PASS;ALL MODEL,ART PAPER 90G,50,	1	SNA
..3		BN68-04881R	MANUAL USERS-01;UF6320,ENG/FRA/DEU/DUT,X	1	SNA
..3		BN68-04972A	MANUAL FLYER-02,REGULATORY GUI;ALL,SAMSU	1	SNA
..3		BN68-05115F	LEAFLET-06,FITCH;UF6100,EUROPE,W/P 80G,I	1	SNA
..3		BN69-08751D	WRAP VINYL-SHRINK;ACCESSORY BOX,PLASTIC	0	SNA
..3	EH03A	BN96-18153B	ASSY HOLDER P-RING;UF5000 SERIES	1	SNA
...4		6902-001404	BAG ZIPPER;LDPE,T0.05,W80,L100,TRP	1	SNA
...4	AH365	BN61-07295A	HOLDER-RING;40UD5500,ABS,BK0007,HB	2	SNA
..3	FL06	BN96-26652B	ASSY CABLE P;IR BLASTER,IR BLASTER CABL,	1	SA