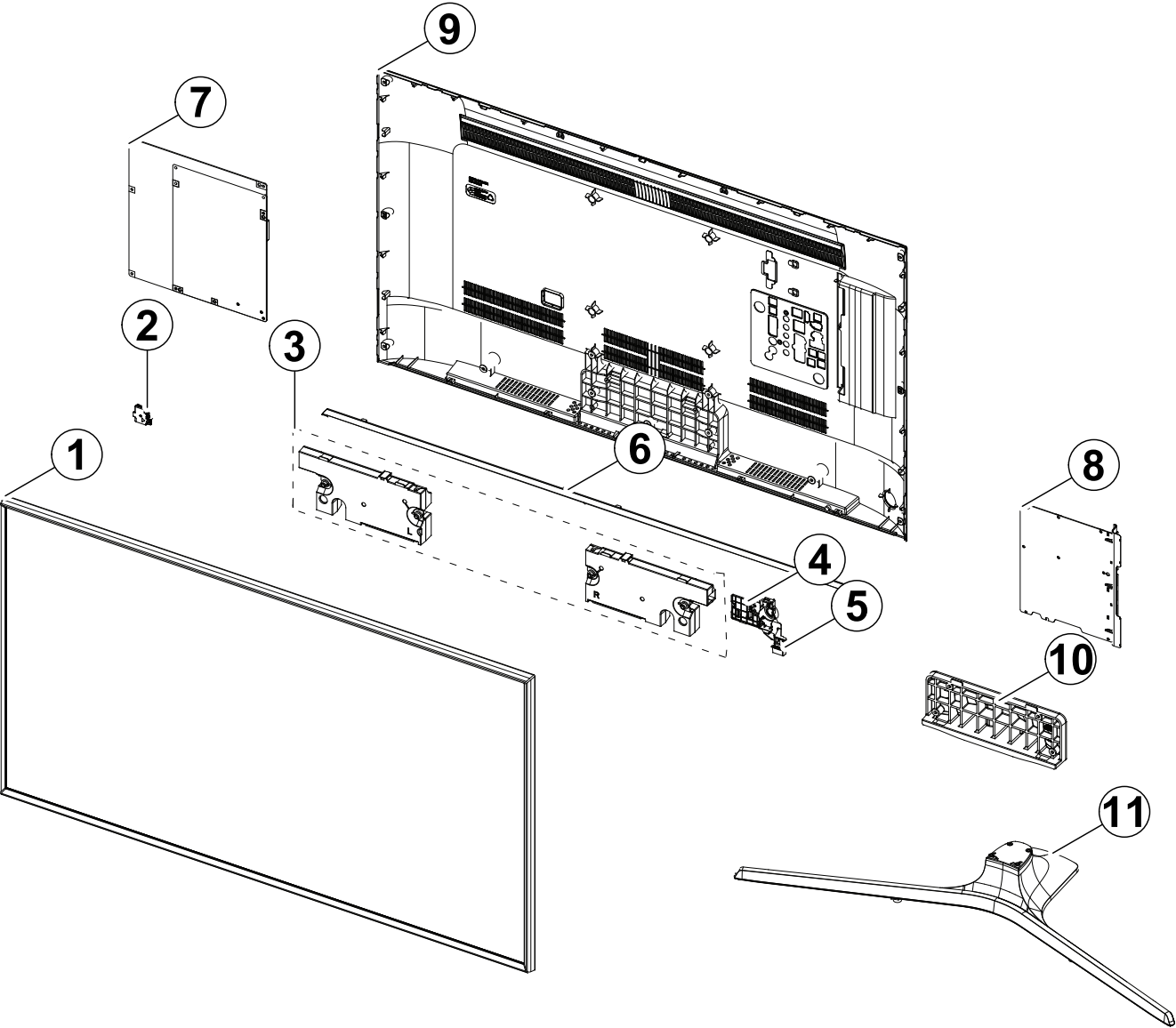


1. Exploded View & Part List

Exploded View



Parts List

No.	Lvl.	Loc.	Material Code	Description & Specification	SNA	Qty.
1	2		BN07-01415A	LCD-BV-AUO; GJ043BGA-B1,BJGPBA1,8bit,43 I	SA	1
2	2		BN96-30218F	ASSY BOARD P-BT MODULE; BT Module + Holde	SA	1
3	2	SP01A	BN96-30335E	ASSY SPEAKER P; 6ohm,4pin,10W,J5500 43"	SA	1
4	2	WIFI	BN59-01174D	NETWORK-WIFI MODULE; WIDT-30Q,Internal Wi	SA	1
5	2	FB01A	BN96-35176A	ASSY BOARD P-FUNCTION ASSY; RMD_ASIA,Func	SA	1
6	2	CD01A	BN95-02194A	ASSY DECORATION SMT; J5500 DECORATION,43"	SA	1
7	2	P001A	BN44-00703G	DC VSS-LED TV PD BD; L48S1_FSM,L48S1_FSM,	SA	1
8	2	M0014	BN94-09121Q	ASSY PCB MAIN-MAIN; J5500	SA	1
9	2	R001A	BN96-36452F	ASSY COVER P-REAR; J5500 43,HIPS,HB,BLK	SA	1
10	2	SG01A	BN96-35223A	ASSY GUIDE P-STAND; J5500 40",PC+GF20%,V2	SA	1
11	2	SB04A	BN96-35224A	ASSY STAND P-BASE; J5500 40",PC+ABS+GF20%	SA	1

2. Electrical Parts List

Level	Loc.	Part Code	Description & Specification	Qty.	SA/SNA
			UE43J5500AWXZF (DS01)		
1	S001A	BN90-06496D	ASSY STAND;J5000	1	SNA
.2	SG01A	BN96-35223A	ASSY GUIDE P-STAND;J5500 40",PC+GF20%,V2	1	SA
..3	SG03	BN61-11465A	GUIDE-STAND;J5100/5500 40",PC+GF20%,V2	1	SA
...4		0103-007285	RESIN PC;HF3200H,K21294,BK0007,V2	1.5mm	330
..3		BN96-32380B	ASSY ACCESSORY-SCREW;BN69-10588A,BN61-09	2	SNA
...4	HOLDER-BOLT	BN01-09494D	HOLDER-BOLT;BH+,SWRCH18A,L14,M4,B TYPE	8	SA
...4		BN69-10588A	BAG SCREW;LDPE,-,0.05,70,90,TRP,-,-,LED	2	SNA
.2	SB04A	BN96-35224A	ASSY STAND P-BASE;J5500 40",PC+ABS+GF20%	1	SA
..3		0203-001499	TAPE-OPP;T0.04,W15,,TRP	0	SNA
..3	SCREW	6003-001001	SCREW-TAPTYPE;FH,+,-,B,M3,L8,ZPC(BLK),SW	2	SA
..3	HOLDER-BOLT	BN01-09494D	HOLDER-BOLT;BH+,SWRCH18A,L14,M4,B TYPE	2	SA
..3		BN61-11430A	BRACKET-STAND BAR;Y15 F-LED J5100/5500 4	1	SNA
..3	AS080	BN63-04755H	SHEET-COVER;52LC530,PE,T0.05,W275mm,200M	1	SNA
..3	AS080	BN63-04755L	SHEET-COVER;22LC350,PE,T0.05,W130mm,200M	1	SNA
..3		BN63-13258A	COVER-STAND BASE;Y15 F-LED J5100/5500 40	1	SNA
...4		0103-009946	RESIN PC ABS;HM-1200,BLACK,BK0007,V1	360	SNA
...4		BN68-00513D	LABEL-RESIN;resin,-,art paper,-,10,25,-,	1	SNA
..3		BN67-00398L	RUBBER-FOOT;RUBBER,SILICONE,15.5*8,2,GRA	3	SNA
..3		BN67-00398P	RUBBER-FOOT;RUBBER,SILICONE,15.5*8,2.5,G	4	SNA
..3		BN95-02140A	ASSY COVER STAND SMT;J5500 STAND,40,LIGH	1	SNA
...4		0203-001269	TAPE-OPP MASKING;#301,T0.06,W75,L50000,N	0	SNA
...4		0204-002420	SOLVENT;1M-1000,C3H70H,96	0	SNA
...4		AA69-05637R	PAD-PLATE;CB,DW,775,505	1	SNA
...4		AA69-07416G	MASTER BOX;CB,DW,785,540,325	1	SNA
...4		AA69-07495E	PAD-PLATE;CB,DW-5,775,320	1	SNA
...4		AA69-07510A	PAD-BOT,EPP;CB,DW,773,506,30	1	SNA
...4		BN01-00160A	TARGET-CHROMIUM-CY;Chromium target,99.95	0	SNA
...4		BN01-00161A	TARGET-CHROMIUM-PL;chromium target,over	0	SNA
...4		BN02-00353A	COATING-AFS;SSVD-39,2%,1~10 cps,1.78	4	SNA
...4		BN63-13262A	COVER-DECORATION STAND;J5100/5500 40",AB	1	SNA
....5		0103-005041	RESIN PC ABS;FR3200TV,901408,BK0008,1.2m	77	SNA
...4		BN68-03920A	LABEL BOX;All Monitor,ART-PAPER 100G,WHT	1	SNA
...4		BN69-10617B	PACKING SHEET;32" UH6300,HDPE,PE FOAM,T0	1	SNA
1	R001A	BN90-07387A	ASSY COVER REAR;KD-MODEL	1	SNA
.2	SCREW	6001-003074	SCREW-MACHINE;BH,+,M3,L6,ZPC(BLK),SWRCH1	15	SA
.2	SCREW	6003-000003	SCREW-TAPTYPE;BH,+,-,B,M4,L10,ZPC(BLK),S	1	SA
.2	R001A	BN96-36452F	ASSY COVER P-REAR;J5500 43,HIPS,HB,BLK	1	SA

Exploded Views and Parts List

Level	Loc.	Part Code	Description & Specification	Qty.	SA/SNA
...3	R001	BN63-13909N	COVER-REAR;J5500 43",ABS+PC,V1,BLK,EU	1	SNA
...4		0103-010488	RESIN PC ABS;NH-1055 K21441,Black,BK0008	2060	SNA
...3		BN68-03518F	LABEL-STICKER-CI SLOT;WW,ALL,PET,0.1,134	1	SNA
...3		BN68-05603A	LABEL-E,PASS;ALL MODEL,ART PAPER 90G,60,	1	SNA
...3		BN68-07096A	LABEL-TERMINAL SIDE;J5500,PET,T0.03,W14.	1	SNA
1		BN90-07431A	ASSY W/I;43J5500	1	SNA
.2		BN81-08159Z	PART SET-ELEC W/I;UF**,UH**,UG**,ELEC	1	SNA
.2		BN81-11261L	A/S PART SET-MECH W/I;UJ5H,U43JD*	1	SNA
1		BN91-14253K	ASSY SHIELD;J5000	1	SNA
.2	SCREW	6001-003081	SCREW-MACHINE;PWH,+,M3,L5,ZPC(WHT),SWRCH	10	SA
.2		BN02-00102B	TAPE-FILAMENT;#8917,0.15,25,50,WHITE	0	SNA
.2	EC13	BN39-01884B	LEAD CONNECTOR;UN40H5200AF,Lead Connecto	1	SA
.2		BN39-02001F	LEAD CONNECTOR-FUNTION;43J5500,Flat Conn	1	SA
.2	EC13	BN39-02036F	LEAD CONNECTOR;43J5500,Flat Connector*,U	1	SA
.2	P001A	BN44-00703G	DC VSS-LED TV PD BD;L48S1_FSM,L48S1_FSM,	1	SA
.2	WIFI	BN59-01174D	NETWORK-WIFI MODULE;WIDT-30Q,Internal Wi	1	SA
.2	HOLDER SCREW	BN61-09175B	SCREW-MACHINE;BH,+,M3,L10,ZPC(WHT),SWRCH	2	SA
.2	CD01A	BN95-02194A	ASSY DECORATION SMT;J5500 DECORATION,43"	1	SA
...3		0203-001269	TAPE-OPP MASKING;#301,T0.06,W75,L50000,N	0	SNA
...3		0204-002420	SOLVENT;1M-1000,C3H70H,96	0	SNA
...3		BN01-00160A	TARGET-CHROMIUM-CY;Chromium target,99.95	0	SNA
...3		BN01-00161A	TARGET-CHROMIUM-PL;chromium target,over	0	SNA
...3		BN02-00353A	COATING-AFS;SSVD-39,2%,1~10 cps,1.78	3	SNA
...3	FD01	BN63-13907A	COVER-DECORATION;J5500 43",PC+ABS+MF17%,	1	SNA
...4		0103-010339	RESIN PC ABS;HRM1530D/BK00749,Black,BK00	107	SNA
...3		BN63-14064B	SHEET-COVER;PE+PP,0.068,W30,CLEAR,100g/i	1	SNA
...3		BN68-03920A	LABEL BOX;All Monitor,ART-PAPER 100G,WHT	1	SNA
...3		BN69-10522K	P/TRAY;43" SMT DECO,1000*535*30,PAPER,-,	1	SNA
...3		BN69-12338A	BOX UNIT-SMT;43" SMT DECO,PAPER,-,330,	1	SNA
.2		BN96-30218F	ASSY BOARD P-BT MODULE;BT Module + Holde	1	SA
.2	SP01A	BN96-30335E	ASSY SPEAKER P;6ohm,4pin,10W,J5500 43"	1	SA
.2	FB01A	BN96-35176A	ASSY BOARD P-FUNCTION ASSY;RMD_ASIA,Func	1	SA
...3		6002-001429	SCREW-TAPPING;CH,+,DELTA PT,M1.6,L3.5,NI	1	SNA
...3	M-F	BN39-01491C	LEAD CONNECTOR-FUNCTION;UH5000,Lead Conn	1	SA
...3	FK02	BN64-02219A	KNOB-CONTROL;UF6100 , 55" , WW,ABS+PMMA	1	SNA
...3	JOG	BN96-30902A	ASSY BOARD P-JOG SWITCH PBA;UH5000,Funct	1	SNA
.2		BN96-36273K	ASSY CABLE P-FFC CABLE;43J5500,FFC,NH,45	1	SA
1	M0017	BN91-15227J	ASSY CHASSIS;J5500	1	SNA
.2	M0014	BN94-09121Q	ASSY PCB MAIN-MAIN;J5500	1	SA
...3		BN61-11939A	HOLDER-SIDE AV;J5500,HIPS,W/W	1	SNA

Level	Loc.	Part Code	Description & Specification	Qty.	SA/SNA
...4		0103-004628	RESIN HIPS;HF-1690H,K2901,BK0020,1.5mm H	13	SNA
..3	AH020	BN62-00724A	HEAT SINK;AL,1.5T,83.48mm,71.92mm,BLACK,	1	SNA
..3	AH020	BN62-00725A	HEAT SINK;AL,2T,73mm,60mm,BLACK,TAPE	1	SNA
..3		BN97-09285A	ASSY SMD;J5000,PCB	1	SNA
...4		0202-001899	SOLDER-CREAM;M705-GRN360-K2-VT,20-38um,S	4	SNA
...4	DS01A	0401-001056	DIODE-SWITCHING;MMBD4148SE,100V,200mA,SO	1	SA
...4		0403-001783	DIODE-ZENER;BZB84-C6V2,5.8/6.6V,300mW,SO	2	SNA
...4		0404-001404	DIODE-SCHOTTKY;BAT721C,40V,200mA,SOT-23,	6	SA
...4		0406-001200	DIODE-TVS;RCLAMP0504F,6/-V,150W,SC-70	3	SA
...4		0406-001628	DIODE-TVS;AOZ8804ADI,6/-V,150W,SLP2510	1	SA
...4		0406-001635	DIODE-TVS;SMF5.0A,6.4V, 6.7V, 7V,200W,SM	7	SA
...4		0501-000445	TR-SMALL SIGNAL;KTC3875S-Y,NPN,150mW,SOT	3	SC
...4		0505-002560	FET-SILICON;AO6415,P,-20V,-3.3A,0.15ohm,	1	SA
...4		0505-002598	FET-SILICON;AP2317GN,P,-20V,-4.2A,0.052o	1	SA
...4		0505-002893	FET-SILICON;AO4801AS,P,-30V,-5A,2W,SOIC-	1	SA
...4		0505-003397	FET-SILICON;2N7002K,N,60V,380mA,1.19ohm,	2	SA
...4		0505-003507	FET-SILICON;AO3424,N,30V,3.8A,1.4W,SOT-2	4	SA
...4		0801-003330	IC-CMOS LOGIC;Octal buffer,DQFN,20P,4.5x	1	SA
...4		1001-001872	IC-ANALOG SWITCH;NLAS2750MUTAG,Dual SPDT	1	SA
...4		1103-001564	IC-EEPROM;S-24C512CI-J800,512Kbit,64Kx8,	1	SA
...4		1105-002528	IC-DDR3 SDRAM;K4B4G1646D-BCMA,DDR3 1866,	3	SA
...4		1201-003891	IC-AUDIO AMP;NTP7415,MLF,48P,7x7mm,DUAL,	1	SA
...4		1203-004364	IC-VOL. DETECTOR;RT9818C-42PV,SOT-23,3P,	1	SA
...4		1203-006330	IC-POWER SUPERVISOR;TPS2065DBV,SOT-23,5P	1	SA
...4		1203-007018	IC-DC/DC CONVERTER;TPS54821RHL,QFN,14P,3	1	SA
...4		1203-007238	IC-PWM CONTROLLER;TPS54427,DDA,8P,4.8x3.	1	SNA
...4		1203-007700	IC-DC/DC CONVERTER;TPS54527DDAR,DDA,8Z30	1	SA
...4		1203-008104	IC-POSIFIXED REG.;S-13A1D18-E800,HSOP,8	2	SNA
...4		1203-008105	IC-POSIFIXED REG.;S-13A1D33-E800,HSOP,8	1	SNA
...4		1203-008118	IC-DC/DC CONVERTER;AOZ3013PI,SO-8,8P,4.9	2	SA
...4		1203-008183	IC-DC/DC CONVERTER;AOZ3015PI-1,EPAD SO-8	1	SA
...4		1203-008392	IC-VOL. DETECTOR;S-6414AAB-L800X,TSOT-23	1	SA
...4		1203-008393	IC-DDR TERMINATION REG.;AP2303MTR-G1-89,	1	SA
...4		1203-008454	IC-DC/DC CONVERTER;TPS56528,HSOP8,8P,4,8	1	SA
...4		1204-003586	IC-DECODER;SDP1415,PBGA,631P,23x23mm,PLA	1	SA
...4		1205-004447	IC-SWITCH;TPS2051CDBVR,SOT23-5,5P,3x1.65	1	SA
...4		1205-004983	IC-SWITCH;BD82032FVJ,TSSOP-B8J,8P,3.0x4.	2	SA
...4		1405-001271	VARISTOR;35V,20Vdc,5A,1.0x0.5x0.6mm,TP,1	15	SA
...4		2007-000137	R-CHIP;2Kohm,5%,1/16W,TP,1005	16	SNA
...4		2007-000143	R-CHIP;4.7Kohm,5%,1/16W,TP,1005	36	SNA

Exploded Views and Parts List

Level	Loc.	Part Code	Description & Specification	Qty.	SA/SNA
...4		2007-000157	R-CHIP;47Kohm,5%,1/16W,TP,1005	19	SNA
...4		2007-000166	R-CHIP;300Kohm,5%,1/16W,TP,1005	1	SA
...4		2007-000170	R-CHIP;1Mohm,5%,1/16W,TP,1005	1	SNA
...4		2007-000171	R-CHIP;0ohm,5%,1/16W,TP,1005	19	SNA
...4		2007-000174	R-CHIP;47ohm,5%,1/16W,TP,1005	28	SNA
...4		2007-000695	R-CHIP;3.3ohm,5%,1/10W,TP,1608	4	SNA
...4		2007-000932	R-CHIP;470ohm,5%,1/16W,TP,1005	1	SNA
...4		2007-001116	R-CHIP;680ohm,1%,1/10W,TP,1608	1	SA
...4		2007-001125	R-CHIP;68Kohm,1%,1/10W,TP,1608	1	SA
...4		2007-001292	R-CHIP;33ohm,5%,1/16W,TP,1005	6	SNA
...4		2007-001298	R-CHIP;51ohm,5%,1/16W,TP,1005	1	SNA
...4		2007-001313	R-CHIP;330ohm,5%,1/16W,TP,1005	1	SNA
...4		2007-007107	R-CHIP;100Kohm,1%,1/16W,TP,1005	15	SNA
...4		2007-007132	R-CHIP;15Kohm,1%,1/16W,TP,1005	4	SA
...4		2007-007133	R-CHIP;300ohm,1%,1/16W,TP,1005	1	SA
...4		2007-007134	R-CHIP;39Kohm,1%,1/16W,TP,1005	1	SA
...4		2007-007135	R-CHIP;18Kohm,1%,1/16W,TP,1005	2	SNA
...4		2007-007136	R-CHIP;4.7Kohm,1%,1/16W,TP,1005	5	SNA
...4		2007-007137	R-CHIP;1.2Kohm,1%,1/16W,TP,1005	1	SA
...4		2007-007138	R-CHIP;27Kohm,1%,1/16W,TP,1005	2	SNA
...4		2007-007139	R-CHIP;47Kohm,1%,1/16W,TP,1005	3	SA
...4		2007-007142	R-CHIP;10Kohm,1%,1/16W,TP,1005	21	SNA
...4		2007-007306	R-CHIP;100ohm,1%,1/16W,TP,1005	18	SNA
...4		2007-007307	R-CHIP;150ohm,1%,1/16W,TP,1005	1	SNA
...4		2007-007309	R-CHIP;12Kohm,1%,1/16W,TP,1005,0.35T	2	SA
...4		2007-007311	R-CHIP;22Kohm,1%,1/16W,TP,1005	6	SA
...4		2007-007312	R-CHIP;20Kohm,1%,1/16W,TP,1005	2	SA
...4		2007-007313	R-CHIP;6.8Kohm,1%,1/16W,TP,1005	2	SA
...4		2007-007316	R-CHIP;3.3Kohm,1%,1/16W,TP,1005	2	SNA
...4		2007-007317	R-CHIP;2.2Kohm,1%,1/16W,TP,1005	1	SA
...4		2007-007318	R-CHIP;1Kohm,1%,1/16W,TP,1005	21	SNA
...4		2007-007431	R-CHIP;91Kohm,1%,1/10W,TP,1608	1	SA
...4		2007-007470	R-CHIP;7.5Kohm,1%,1/16W,TP,1005	1	SNA
...4		2007-007488	R-CHIP;75Kohm,1%,1/16W,TP,1005	1	SNA
...4		2007-007517	R-CHIP;240ohm,1%,1/16W,TP,1005	4	SNA
...4		2007-007528	R-CHIP;1.5Kohm,1%,1/16W,TP,1005	1	SA
...4		2007-007587	R-CHIP;3.6Kohm,1%,1/16W,TP,1005	1	SNA
...4		2007-007766	R-CHIP;2Kohm,1%,1/16W,TP,1005	5	SNA
...4		2007-007767	R-CHIP;200ohm,1%,1/16W,TP,1005	5	SA
...4		2007-007861	R-CHIP;62Kohm,1%,1/16W,TP,1005	1	SA

Level	Loc.	Part Code	Description & Specification	Qty.	SA/SNA
...4		2007-008015	R-CHIP;75ohm,1%,1/16W,TP,1005	14	SNA
...4		2007-008213	R-CHIP;4.3Kohm,1%,1/16W,TP,1005	3	SNA
...4		2007-008275	R-CHIP;30Kohm,1%,1/16W,TP,1005	3	SNA
...4		2007-008298	R-CHIP;49.9ohm,1%,1/16W,TP,1005	4	SA
...4		2007-008429	R-CHIP;499ohm,1%,1/16W,TP,1005	1	SNA
...4		2007-008485	R-CHIP;22ohm,1%,1/16W,TP,1005	13	SC
...4		2007-008779	R-CHIP;0ohm,1%,1/16W,TP,1005	4	SA
...4		2007-009117	R-CHIP;49.9Kohm,1%,1/16W,TP,1005	1	SA
...4		2007-009777	R-CHIP;4.99Kohm,1%,1/16W,TP,1005	1	SA
...4		2011-001261	R-NETWORK;33ohm,5%,1/16W,L,CHIP,8P,TP,2.	8	SA
...4		2011-001344	R-NETWORK;100ohm,5%,1/16W,L,CHIP,8P,TP,2	4	SA
...4		2011-001345	R-NETWORK;10Kohm,5%,1/16W,L,CHIP,8P,TP,2	1	SA
...4		2011-001449	R-NETWORK;22ohm,5%,1/16W,L,4P,TP,1010	5	SA
...4		2011-001497	R-NETWORK;470ohm,5%,1/16W,L,CHIP,4P,TP,1	1	SNA
...4		2011-001506	R-NETWORK;10Kohm,5%,1/16W,L,CHIP,4P,TP,1	1	SNA
...4		2011-001587	R-NETWORK;100ohm,5%,1/16W,L,CHIP-V,4P,TP	1	SNA
...4	AD480	2203-000233	C-CER,CHIP;0.1nF,5%,50V,C0G,TP,1005	6	SA
...4	AD480	2203-000278	C-CER,CHIP;0.01nF,0.5pF,50V,C0G,TP,1005	4	SA
...4	AD480	2203-000359	C-CER,CHIP;0.15nF,5%,50V,C0G,TP,1005,0.5	3	SNA
...4	AD480	2203-000438	C-CER,CHIP;1nF,10%,50V,X7R,TP,1005	14	SA
...4	AD480	2203-000489	C-CER,CHIP;2.2nF,10%,50V,X7R,TP,1005	2	SA
...4	AD480	2203-000585	C-CER,CHIP;0.22nF,10%,50V,X7R,TP,1005	3	SA
...4	AD480	2203-000627	C-CER,CHIP;0.022nF,5%,50V,C0G,TP,1005	2	SNA
...4	AD480	2203-000679	C-CER,CHIP;0.027nF,5%,50V,C0G,TP,1005	2	SA
...4	AD480	2203-000714	C-CER,CHIP;3.3nF,10%,50V,X7R,TP,1005	5	SA
...4	AD480	2203-000812	C-CER,CHIP;0.033nF,5%,50V,C0G,TP,1005	5	SA
...4	AD480	2203-000854	C-CER,CHIP;0.039nF,5%,50V,C0G,TP,1005	1	SA
...4	AD480	2203-000940	C-CER,CHIP;0.47nF,10%,50V,X7R,TP,1005	2	SA
...4	AD480	2203-000995	C-CER,CHIP;0.047nF,5%,50V,C0G,TP,1005	1	SA
...4	AD480	2203-002285	C-CER,CHIP;10nF,10%,50V,X7R,TP,1005	9	SNA
...4	AD480	2203-003019	C-CER,CHIP;8.2nF,10%,50V,X7R,TP,1005	2	SNA
...4	AD480	2203-005083	C-CER,CHIP;220nF,10%,50V,X7R,TP,1608,0.8	2	SA
...4	AD480	2203-005249	C-CER,CHIP;100nF,10%,50V,X7R,TP,1608	9	SNA
...4	AD480	2203-005968	C-CER,CHIP;4.7nF,10%,50V,X7R,TP,1005,0.5	2	SNA
...4	AD480	2203-006126	C-CER,CHIP;47nF,10%,16V,X7R,TP,1005	2	SNA
...4	AD480	2203-006158	C-CER,CHIP;100nF,10%,16V,X7R,TP,1005,0.5	127	SNA
...4	AD480	2203-006257	C-CER,CHIP;470nF,10%,6.3V,X5R,TP,1005,0.	1	SNA
...4	AD480	2203-006348	C-CER,CHIP;1000nF,10%,25V,X5R,TP,1608,0.	5	SA
...4	AD480	2203-006562	C-CER,CHIP;1000nF,10%,10V,X5R,TP,1005	23	SNA
...4	AD480	2203-006824	C-CER,CHIP;4700nF,10%,10V,X5R,TP,1608	3	SNA

Exploded Views and Parts List

Level	Loc.	Part Code	Description & Specification	Qty.	SA/SNA
...4	AD480	2203-006838	C-CER,CHIP;2200nF,10%,6.3V,X5R,TP,1005	11	SA
...4	AD480	2203-006890	C-CER,CHIP;10000nF,20%,6.3V,X5R,TP,1608	39	SNA
...4	AD480	2203-007176	C-CER,CHIP;10000nF,10%,16V,X5R,TP,2012,1	4	SNA
...4	AD480	2203-007240	C-CER,CHIP;22000nF,20%,6.3V,X5R,TP,1608(30	SA
...4	AD480	2203-007269	C-CER,CHIP;22000nF,20%,10V,X5R,TP,2012(2	24	SA
...4	AD480	2203-007270	C-CER,CHIP;10000nF,10%,10V,X5R,TP,1608,0	36	SNA
...4	AD480	2203-007544	C-CER,CHIP;100nF,10%,50V,X7R,TP,1005,0.5	67	SA
...4		2703-000158	INDUCTOR-SMD;1uH,10%,2012,.40ohm,50mA,45,	1	SA
...4		2703-000213	INDUCTOR-SMD;470nH,10%,1608,1.350ohm,35mA	1	SA
...4		2703-001938	INDUCTOR-SMD;56nH,5%,1005,1.50ohm,200mA,1	3	SA
...4		2703-003713	INDUCTOR-SMD;1.5uH,20%,7366,0.015ohm,700	1	SA
...4		2703-003937	INDUCTOR-SMD;1uH,20%,7.0x6.47x3.0mm,0.00	1	SA
...4		2703-004724	INDUCTOR-SMD;8.2uH,20%,5050,4mm,0.072Ohm	4	SA
...4		2703-005191	INDUCTOR-SMD;1.5uH,20%,6060,4.5,0.02ohm,	2	SA
...4		2703-005192	INDUCTOR-SMD;4.7uH,20%,6060,4.5,0.036ohm	2	SA
...4		2703-005194	INDUCTOR-SMD;3.3uH,20%,6060,4.5,0.03ohm,	1	SA
...4		2801-004477	CRYSTAL-SMD;24.576MHz,20ppm,SMD,18pF,20o	1	SA
...4		3301-000314	BEAD-SMD;120ohm,1608,TP,120ohm/100MHz	5	SNA
...4		3301-001364	BEAD-SMD;1000ohm,1608,TP,1085ohm/108MHz,	2	SNA
...4		3301-002039	BEAD-SMD;26ohm,1608,TP	41	SA
...4		3601-001374	FUSE-SURFACE MOUNT;32V,5A,FAST-ACTING,PL	2	SA
...4		3701-001861	CONNECTOR-HDMI;19P,FEMALE,AU,0.5mm,BLK,S	3	SA
...4		3707-001106	CONNECTOR-OPTICAL,STRAIGHT W/L,SPDIF	1	SA
...4		3708-003073	CONNECTOR-FPC/FFC/PIC;51P,0.5mm,SMD,AU,N	1	SA
...4		3710-003908	CONNECTOR-SOCKET;64P,2R,0.5mm,SMD-S,AU,B	1	SA
...4		3711-007585	CONNECTOR-HEADER;BOX,4P,1R,2.5mm,ANGLE-D	1	SA
...4	EH01	3711-008488	HEADER-BOARD TO CABLE;BOX,14P,2R,2mm,ANG	1	SA
...4	EH01	3711-008558	HEADER-BOARD TO CABLE;BOX,26P,2R,1.25mm,	1	SA
...4		3722-003229	JACK-MODULAR;8P/8C W/L, Y,STRAIGHT,N,Au,1	1	SA
...4		3722-003457	JACK-USB;4P/1C,NI,BLK,A	2	SA
...4	JACK PIN	3722-003546	JACK-PIN;5P+Screw hole,NI+SN,G,Y/BLU/RED	1	SA
...4		3722-003667	JACK-PHONE;1P/7C,SN/NI,BLK,STRAIGHT,3.6P	1	SA
...4		6302-001376	GASKET;D-Q43-14-180,6mm,SI	1	SNA
...4	ET01	BN40-00313B	TUNER;GTTH-5A11,GTTH-5A11,DVB-TC Half,75	1	SA
...4		BN41-02353B	PCB MAIN;J5500~6500,Hawk_M_FHD,FR-4,4F,B	1	SNA
...4		BN97-09450A	ASSY MICOM;T-HKMFDEUC-XXXX,Hawk-M FHD 5/	1	SNA
....5		1107-002341	IC-EMMC;THGBMBG5D1KBAIT,4GB,BGA,153P,11x	1	SNA
...4		BN97-09454A	ASSY MICOM;HMMICOM_FHD_EU	1	SNA
....5		1107-002226	IC-NOR FLASH;W25Q40CLSSIP,4Mbit,SOIC,8P,	1	SA
...3		BN97-09470B	ASSY DRM;MAC, MIRACAST HDCP	1	SNA

Level	Loc.	Part Code	Description & Specification	Qty.	SA/SNA
..4		BN46-00109H	KEY CODE-CERTIFI;MAC,TV/AV,General	1	SNA
..4		BN46-00110P	KEY CODE-CERTIFI;MIRACAST(HDCP2.2), TV	1	SNA
..4		BN46-00115P	KEY CODE;CI+, TV, HAWK, EU	1	SNA
1		BN91-15266A	ASSY LCD-AUO;BN07-01415A,43J5500	1	SNA
.2		BN07-01415A	LCD-BV-AUO;GJ043BGA-B1,BJGPBA1,8bit,43 I	1	SA
1	ACCE1	BN92-15628Z	ASSY ACCESSORY;J5000	1	SNA
.2		BN68-05417A	LABEL-02,ENERGY;ALL,EDC,PP,T0.135,60,125	1	SNA
.2		BN96-36059A	ASSY ACCESSORY CABLE;J5500	1	SNA
..3		3709-001791	CONNECTOR-CARD SLOT;64P,0.5mm,SMD-A,AU,P	1	SA
..3	T0268	3903-000950	CBF-POWER CORD;DT,CEE,LP-21L,250V,2.5A,B	1	SA
..3		4301-000121	BATTERY-MN;1.5V,R03,10.5x44.5m,7.5g,AAA	2	SNA
..3		6902-001965	BAG PE;LDPE,BIOBASED,T0.05,W200,L300,TRP	1	SNA
..3		BN59-01198Q	REMOCON-REMOCON;TM1250A,49,3.0V,TM1250A_	1	SA
..3	HOLDE	BN96-08370A	HOLDER-WIRE STAND;26UE4000 GUIDE STAND,P	1	SA
.2		BN96-36060G	ASSY ACCESSORY MANUAL;J5500	1	SNA
..3		6902-001964	BAG PE;LDPE,BIOBASED,T0.03,W200,L300,TRP	1	SNA
..3	T0527	BN68-00513A	LABEL-E,PASS;ALL MODEL,YUPO(110G),BLACK,	1	SNA
..3		BN68-00514K	MANUAL FLYER-07,WARRANTY CARD;comm,Samsu	1	SNA
..3		BN68-04972E	LEAFLET-04,REGULATORY GUIDE;ALL,SAMSUNG,	1	SNA
..3		BN68-07047C	MANUAL USERS;UJ5500,XN,ZF,W/P	1	SNA
..3		BN68-07351G	LEAFLET-04,FICHE_15TV(5SERIES);ALL,W/P*	1	SNA
1		BN92-17001M	ASSY BOX;LED-TV	1	SNA
.2		BH68-00662A	LABEL BOX-01;ALL MODEL,ART PAPER,60,110,	1	SNA
.2		BN69-12033F	BOX UNIT-01;43J5500-VS,CB,A-01, SW2,W119	1	SNA
1		BN92-17030J	ASSY LABEL;J5000	1	SNA
.2		0203-001598	TAPE-FILAMENT;#8915,0.15,12,55000,CLR	0	SNA
.2		BN68-06708E	LABEL RATING;ALL,WW,PP,T0.05,93,73,Dark	1	SNA
.2		BN68-07063A	LEAFLET-01,QSG;UJ5500,EUROPE,ART,B4-> B5	1	SNA
1		BN92-17038B	ASSY LABEL POP;J5000	1	SNA
.2		BN68-07192A	LABEL POP-01,HIGHLIGHT STICKER;J55**,PET	1	SNA
1		BN92-17272A	ASSY P/MATERIAL;43J5500	1	SNA
.2		6902-001956	BAG ROLL;HDPE/PE FOAM,HDPE T0.018mm,T0.2	2	SNA
.2		6902-002233	BAG AIR;LDPE,-,T0.2,W900,L1850,TRP,-,-,-	1	SNA
.2		6922-000003	BAND;PP,T0.8,W18,L1650M,TRP,DA69-90145A	0	SNA
.2		BN02-00319B	TAPE OPP;OPP,T0.05,W75,L800m,CLEAR	3	SNA
.2		BN68-02422B	LABEL-WARNING SHIPPING;ALL MODEL,A/P,T0.	1	SNA
.2		BN69-03982N	PAD PACKING-EDGE;EDGE,PAPER,-,T5,W120,L2	1	SNA
.2		BN69-05418N	WRAP;T0.017,750,2000000,2000000,750	0	SNA
.2		BN69-06640E	PAD-TRUCK PAD;TRUCK PAD,PAPER,-,DW-BC,41	1	SNA
.2		BN69-06641A	PAD;PAD,PAPER,-,CB-SW4,1130,1060,-,-,-	1	SNA

Exploded Views and Parts List

Level	Loc.	Part Code	Description & Specification	Qty.	SA/SNA
.2		BN69-11760A	CUSHION-SET;J5500 43",EPS,16.7	1	SNA
..3		0103-005099	RESIN EPS;BASF303,Natural,Natural	433	SNA
.2		BN69-12476C	PALLET;UE43J5500,WOOD,-,1150,1200,141,-,	1	SNA