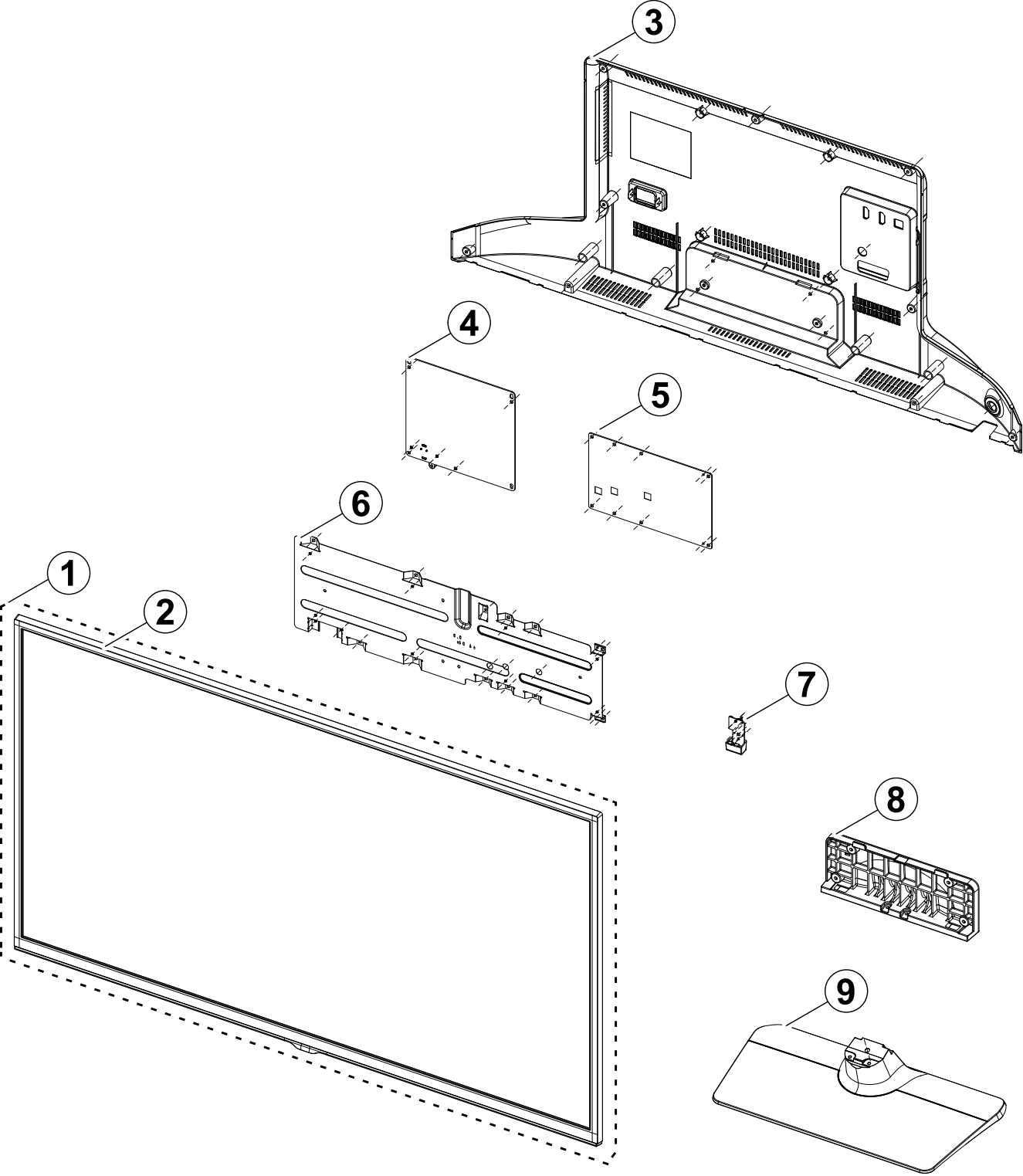


1. Exploded View & Part List

Exploded View



Parts List

No.	Lvl.	Loc.	Material Code	Description & Specification	SNA	Qty.
1	2	PANEL	BN95-01722D	PRODUCT LCD-AMLCD; CY-HH040AGLV2H/V,H4200	SA	1
2	3	TC01A	BN96-32836A	ASSY CHASSIS TOP P; Y14 H4203 40",PC+ABS	SA	1
3	2	R001A	BN96-33767B	ASSY COVER P-REAR; H4200 40",MPPE,V1,Corr	SA	1
4	2	P001A	BN44-00754A	DC VSS-LED TV PD BD; L40G0B_ESM,L40G0B_ES	SA	1
5	2	M0014	BN94-07841J	ASSY PCB MAIN; 4K	SA	1
6	2	CB07	BN61-10765B	BRACKET-PCB; H4203,EGI-SECC,T0.5	SNA	1
7	2	FB01A	BN96-32965B	ASSY BOARD P-JOG SWITCH & IR; UH4200,FUNC	SA	1
8	2	SG03	BN61-09997A	GUIDE-STAND; UH5000 40",PC+GF20%,V2	SC	1
9	2	SB04A	BN96-31506A	ASSY STAND P-BASE; UH5500 40",PC+ABS+G/F2	SA	1

2. Electrical Parts List

Level	Loc.	Part Code	Description & Specification	Qty.	SA/SNA
			UE40H4200AWXXC (US02)		
1	S001A	BN90-05205C	ASSY STAND;UH5K	1	SNA
.2	SG03	BN61-09997A	GUIDE-STAND;UH5000 40",PC+GF20%,V2	1	SC
..3		0103-007285	RESIN PC;HF3200H,K21294,BK0007,V2	1.5mm	250
.2	SB04A	BN96-31506A	ASSY STAND P-BASE;UH5500 40",PC+ABS+G/F2	1	SA
..3	CCM1	BN63-04755B	SHEET-COVER;AMBER,PE,T0.05,W200mm,200M,C	1	SNA
..3		BN63-11633A	COVER-STAND BASE;UH5500 40",PC+ABS+G/F20	1	SNA
...4		0103-009946	RESIN PC ABS;HM-1200,BLACK,BK0007,V1	670	SNA
..3		BN67-00327D	RUBBER-FOOT;STAND,SILICON,13*13,T2,GRAY(6	SNA
..3		BN69-08751B	WRAP VINYL-SHRINK;STAND,PLASTIC OTHERS,P	1	SNA
1		BN90-05309C	ASSY W/I;UN40F6400AFXZA	1	SNA
.2		BN81-08159Z	PART SET-ELEC W/I;UF**,UH**,UG**,ELEC	1	SNA
.2		BN81-09498U	PART SET-MECH W/I;UH4F,U40HF*	1	SNA
1		BN90-06152B	ASSY COVER REAR-REAR;H4200	1	SNA
.2	SCREW	6003-001782	SCREW-TAPTYPE;BH,+,B,M4,L12,ZPC(BLK),SWR	11	SA
.2	R001A	BN96-33767B	ASSY COVER P-REAR;H4200 40",MPPE,V1,Corr	1	SA
..3		BN60-00162V	SPACER-FOAM;FOAM,50000mm,DARK GRAY,0.5T,	1	SNA
..3	R001	BN63-12351B	COVER-REAR;MEGA 40",MPPE,V1,Corrosion, E	1	SNA
...4		0103-009565	RESIN MPPE;ST85HF,1D129A,BK0020,V-1	1.	750
1		BN91-12092E	ASSY SHIELD;UH5K	1	SNA
.2	SCREW	6001-003016	SCREW-MACHINE;PWH,+,M3.0,L5.0,ZPC(WHT),S	2	SA
.2	SCREW	6003-001856	SCREW-TAPTYPE;BH,+,B,M4,L10,ZPC(WHT),SWR	11	SA
.2		BN02-00102B	TAPE FILAMENT;UE7000,#8917,0.15,25,50,WH	0	SNA
.2	EC13	BN39-01885S	LEAD CONNECTOR;MFM NT14L,Flat Connector	1	SA
.2	M-F	BN39-01916A	LEAD CONNECTOR-FUNCTION;40H4200,Lead Con	1	SA
.2	P001A	BN44-00754A	DC VSS-LED TV PD BD;L40G0B_ESM,L40G0B_ES	1	SA
.2	CB07	BN61-10765B	BRACKET-PCB;H4203,EGI-SECC,T0.5	1	SNA
.2	FL06	BN96-31086R	ASSY CABLE P-FFC;UE40H4200,FFC,NH,250mm,	1	SA
.2	SP01A	BN96-32738C	ASSY SPEAKER P;6ohm,10W,holderless_PDP-r	1	SC
.2	FB01A	BN96-32965B	ASSY BOARD P-JOG SWITCH & IR;UH4200,FUNC	1	SA
1		BN91-12952D	ASSY LCM-AMLCD;BN95-01722D,CY-HH040AGLV2	1	SNA
.2	PANEL	BN95-01722D	PRODUCT LCD-AMLCD;CY-HH040AGLV2H/V,H4200	1	SA
..3	M0131	BN63-00520A	GASKET;APPOLO_PAL,Conductive Fabric,0.13	2	SNA
..3		BN68-05722A	LABEL-STICKER;ALL MODEL,POLYPROPYLENE,0.	1	SNA
..3		BN90-05980A	ASSY MISC-BLU;MEGA MODEL,CY-HH040AGLV1V	1	SNA
...4	SCREW	6003-000117	SCREW-TAPTYPE;BH,+,B,M3,L6,ZPC(WHT),SWRC	2	SNA
...4		BN61-08161A	HOLDER-LED-PCB;Direct-LED,PC,white	19	SNA
....5		0103-009493	RESIN PC;LH-1070W,W92853,WT0107,V-0	19	SNA

Exploded Views and Parts List

Level	Loc.	Part Code	Description & Specification	Qty.	SA/SNA
...4		BN61-10579B	HOLDER-PLATE;U48H4K,POM,GY0073,TS-25A,NG	3	SNA
....5		0103-010398	RESIN POM;TS-25A,NGC052,GY0073,HB	6	SNA
...4		BN61-10716A	BRACKET-DRIVER IC;Y14 F-LED 40" (MEGA),E	1	SNA
...4		BN61-10792A	LGP-DIFFUSESR PLATE;40inch Mega, Diffuse	1	SNA
...4		BN61-11123A	SUPPORT-PLATE;MEGA,PC,CLEAR	3	SNA
....5		0103-005036	RESIN PC;M2407,550115,TP0003	11	SNA
...4		BN63-12637A	SHEET-COMPLEX;MEGA 40inch,PET,0.32,901.6	1	SNA
...4		BN63-12642A	SHEET-REFLECTOR;MEGA 40inch TXA188,PET,0	1	SNA
...4		BN96-32767A	ASSY LED BAR P-LED BAR;40inch A type,Dir	2	SA
...4		BN96-32768A	ASSY LED BAR P-LED BAR;40inch B type,Dir	1	SA
...4		BN96-32838A	ASSY CHASSIS BOTTOM P;14Y H4203 40",PC+A	1	SNA
....5	SCREW	6003-000117	SCREW-TAPTYPE;BH,+,B,M3,L6,ZPC(WHT),SWRC	2	SNA
....5	SCREW	6003-001070	SCREW-TAPTYPE;BH,+,B,M2,L4,ZPC(BLK),SWRC	4	SA
....5	SCREW	6003-001782	SCREW-TAPTYPE;BH,+,B,M4,L12,ZPC(BLK),SWR	4	SA
....5		BN02-00040N	TAPE DOUBLE FACE-D-PLATE;F-LED ALL,PET,0	2	SNA
....5		BN02-00102B	TAPE FILAMENT;UE7000,#8917,0.15,25,50,WH	0	SNA
....5		BN02-00352D	TAPE PET-ROLL;Y12 F-LED,PET,T0.05,W20,L5	0	SNA
....5	EC13	BN39-01908A	LEAD CONNECTOR;40inch Mega,Lead Connecto	1	SNA
....5		BN60-00999G	SPACER-PANEL_B;14 H4.2K 40",SI,L218,GRAY	3	SNA
....5		BN60-00999H	SPACER-PANEL_C;14 H4.2K 40",SI,L174,GRAY	3	SNA
....5		BN60-00999J	SPACER-PANEL_D;14 H4.2K 40",SI,L237,GRAY	2	SNA
....5		BN60-00999K	SPACER-PANEL_DOWN_A;14 H4.2K 40",SI,L249	2	SNA
....5		BN60-00999L	SPACER-PANEL_DOWN_B;14 H4.2K 40",SI,L221	1	SNA
....5		BN60-01005D	SPACER-BOTTOM;14 ENTRY MODEL 40" & quot,CO	2	SNA
....5		BN60-01009D	SPACER-BOTTOM_LINK;14 ENTRY MODEL 40 & quo	2	SNA
....5		BN60-01051A	SPACER-THERMAL RADIATION;Y14 ENTRY MODEL	4	SNA
....5		BN61-10607A	BRACKET-LED BAR_U;Y14 F-LED 40" (MEGA),A	2	SNA
....5		BN61-10610A	BRACKET-LED BAR_D;Y14 F-LED 40" (MEGA),A	1	SNA
....6		0102-001955	ALUMINUM PLATE;A5052,H32,T0.5,790	0	SNA
....5		BN61-10624A	BRACKET-EMI_L;Y14 F-LED 40" (MEGA),EGI-S	1	SNA
....5		BN61-10627A	BRACKET-EMI_R;Y14 F-LED 40" (MEGA),EGI-S	1	SNA
....5		BN61-10731A	BRACKET-WALL MOUNT;MEGA,EGI-SECC AG,T1.2	4	SNA
....5	CC02	BN64-02660A	CHASSIS-BOTTOM;Y14 F-LED 40" (MEGA),PC+A	1	SNA
....6		0103-010275	RESIN PC ABS;235GNH15/6919H,Black,BK0007	2200	SNA
...3	TC01A	BN96-32836A	ASSY CHASSIS TOP P;Y14 H4203 40",PC+ABS	1	SA
...4		BN60-00715A	SPACER-TOP,CORNER;Y13 Slim F-LED,GASKET*	4	SNA
...4		BN60-01007D	SPACER-TOP (UD);Y14 ENTRY MODEL 40",PET,	2	SNA
...4		BN60-01008B	SPACER-TOP (LR);Y14 ENTRY MODEL 40",PET,	2	SNA
...4		BN60-01009A	SPACER-LINK;H4203,CONDUCTIVE FABRIC,33mm	2	SNA
...4	AS080	BN63-07556Y	SHEET-COVER;Y13 SF-LED,PO-SHEET,T0.068,W	1	SNA

Level	Loc.	Part Code	Description & Specification	Qty.	SA/SNA
...4		BN63-11875A	SHEET-COVER;Y14 SF-LED,POLY*,0.068,W25,L	3	SNA
...4	AC157	BN64-02658A	CHASSIS-TOP;Y14 F-LED 40" (MEGA),PC+ABS+	1	SNA
....5		0103-010275	RESIN PC ABS;235GNH15/6919H,Black,BK0007	180	SNA
..3		BN96-35307A	ASSY OPEN CELL;LSF400AM02-G,8bit,40INCH,	1	SNA
...4		BN81-07435A	A/S-ADHESIVE-A.C.F;ADHESIVE-A.C.F,2-ADHE	1	SNA
...4		BN81-07943A	A/S-ADHESIVE-A.C.F(TP500B);ADHESIVE-A.C.	1	SNA
...4		BN81-10285A	A/S-IC DRIVER SOURCE;IC DRIVER SOURCE,DB	1	SNA
...4		BN81-10288B	A/S-ASSY PCB-SOURCE;ASSY PCB-SOURCE,LJ94	1	SNA
...4		BN81-11345A	A/S-POLARIZER-C/F;POLARIZER-C/F,LJ01-099	1	SNA
...4		BN81-11346A	A/S-POLARIZER-TFT;POLARIZER-TFT,LJ01-099	1	SNA
1	M0017	BN91-13337J	ASSY CHASSIS;4K	1	SNA
.2	M0014	BN94-07841J	ASSY PCB MAIN;4K	1	SA
..3		0202-001608	SOLDER-WIRE FLUX;LFC7-107,D0.8,99.3Sn/0.	0	SNA
..3	FB01A	BN97-07120D	ASSY DRM-KEY;NT14L_DRM-KEY(CI+)	1	SNA
...4		BN46-00328B	KEY CODE-CERTIFI;CI+,TV,NT14, EU	1	SNA
..3		BN97-08982B	ASSY SMD;H4200,BN41_**	1	SNA
...4		0202-001830	SOLDER-CREAM;LFM-48W TM-HP,D20~38um,96.5	5	SNA
...4	DS01A	0401-001056	DIODE-SWITCHING;MMBD4148SE,100V,200mA,SO	1	SA
...4		0403-001552	DIODE-ZENER;DDZ16,15.69/16.51V,500mW,SOD	1	SA
...4		0403-001783	DIODE-ZENER;BZB84-C6V2,5.8/6.6V,300mW,SO	3	SNA
...4		0403-001784	DIODE-ZENER;NZH7V5C,7.29/7.67V,500mW,SOD	1	SNA
...4		0403-001785	DIODE-ZENER;NZH5V1B,4.94/5.2V,500mW,SOD-	1	SA
...4		0403-001797	DIODE-ZENER;NZH3V0B,2.85/3.15V,500mW,SOD	1	SNA
...4		0404-001404	DIODE-SCHOTTKY;BAT721C,40V,200mA,SOT-23,	2	SA
...4		0406-001200	DIODE-TVS;RCLAMP0504F,6/-/V,150W,SC-70	1	SA
...4		0501-000279	TR-SMALL SIGNAL;KSA1182-Y,PNP,150mW,SOT-	1	SA
...4		0501-000445	TR-SMALL SIGNAL;KTC3875S-Y,NPN,150mW,SOT	6	SC
...4		0505-002560	FET-SILICON;AO6415,P,-20V,-3.3A,0.15ohm,	3	SA
...4		0505-003397	FET-SILICON;2N7002K,N,60V,380mA,1.19ohm,	4	SA
...4		0801-002780	IC-CMOS LOGIC;74LVC1G17,SCHMITT-TRIGGER	2	SA
...4		0801-003330	IC-CMOS LOGIC;Octal buffer,DQFN,20P,4.5x	1	SA
...4		1001-001545	IC-ANALOG MULTIPLEX;TS3USB221ERSER,R-PQF	1	SA
...4		1103-001531	IC-EEPROM;S-24C256CI-J8T1U4,256Kbit,32Kx	1	SA
...4		1105-002527	IC-DDR3 SDRAM;K4B2G1646Q-BCK0,DDR3,2Gbit	1	SA
...4		1201-003183	IC-AUDIO AMP;DRV612,HTSSOP,14P,5x4.4mm,D	1	SA
...4		1201-003671	IC-AUDIO AMP;NTP7414,MLF,48P,7x7mm,DUAL,	1	SA
...4		1203-004363	IC-VOL. DETECTOR;SOT-23,3Z30,2.9x1.6mm,P	1	SA
...4		1203-006017	IC-VOL. DETECTOR;RT9824GJ8,TSOT23,8P,2.9	1	SA
...4		1203-006130	IC-POSI.FIXED REG.;S-1172B25-U5T1G,SOT-8	1	SA
...4		1203-007694	IC-DC/DC CONVERTER;SN1106041DDAR,DDA,8Z3	2	SA

Exploded Views and Parts List

Level	Loc.	Part Code	Description & Specification	Qty.	SA/SNA
...4		1203-008103	IC-POSIFIXED REG.;S-13A1D15-E8001,HSOP,	1	SNA
...4		1203-008104	IC-POSIFIXED REG.;S-13A1D18-E8001,HSOP,	1	SNA
...4		1203-008105	IC-POSIFIXED REG.;S-13A1D33-E8001,HSOP,	1	SNA
...4		1203-008183	IC-DC/DC CONVERTER;AOZ3015PI-1,EPAD SO-8	1	SA
...4		1204-003492	IC-DECODER;SENK14,LFBGA,624P,21x21mm,PLA	1	SA
...4		1205-004447	IC-SWITCH;TPS2051CDBVR,SOT23-5,5P,3x1.65	2	SA
...4		1405-001271	VARISTOR;35V,20Vdc,5A,1.0x0.5x0.6mm,TP,1	12	SA
...4		2007-000137	R-CHIP;2Kohm,5%,1/16W,TP,1005	7	SNA
...4		2007-000138	R-CHIP;100ohm,5%,1/16W,TP,1005	20	SA
...4		2007-000142	R-CHIP;2.7Kohm,5%,1/16W,TP,1005	1	SA
...4		2007-000143	R-CHIP;4.7Kohm,5%,1/16W,TP,1005	44	SNA
...4		2007-000148	R-CHIP;10Kohm,5%,1/16W,TP,1005	26	SA
...4		2007-000153	R-CHIP;22Kohm,5%,1/16W,TP,1005	7	SNA
...4		2007-000157	R-CHIP;47Kohm,5%,1/16W,TP,1005	6	SNA
...4		2007-000162	R-CHIP;100Kohm,5%,1/16W,TP,1005	6	SNA
...4		2007-000168	R-CHIP;470Kohm,5%,1/16W,TP,1005	3	SA
...4		2007-000171	R-CHIP;0ohm,5%,1/16W,TP,1005	2	SNA
...4		2007-000172	R-CHIP;10ohm,5%,1/16W,TP,1005	2	SNA
...4		2007-000173	R-CHIP;22ohm,5%,1/16W,TP,1005	10	SNA
...4		2007-000256	R-CHIP;1.6Kohm,1%,1/10W,TP,1608	1	SA
...4		2007-000475	R-CHIP;1Mohm,1%,1/10W,TP,1608	1	SA
...4		2007-000691	R-CHIP;3.3Mohm,5%,1/10W,TP,1608	1	SA
...4		2007-000695	R-CHIP;3.3ohm,5%,1/10W,TP,1608	4	SNA
...4		2007-000775	R-CHIP;33Kohm,5%,1/16W,TP,1005	2	SNA
...4		2007-000931	R-CHIP;470ohm,5%,1/8W,TP,2012	1	SC
...4		2007-000932	R-CHIP;470ohm,5%,1/16W,TP,1005	7	SNA
...4		2007-001292	R-CHIP;33ohm,5%,1/16W,TP,1005	12	SNA
...4		2007-001298	R-CHIP;51ohm,5%,1/16W,TP,1005	2	SNA
...4		2007-001313	R-CHIP;330ohm,5%,1/16W,TP,1005	2	SNA
...4		2007-001325	R-CHIP;3.3Kohm,5%,1/16W,TP,1005	1	SNA
...4		2007-007095	R-CHIP;390ohm,5%,1/16W,TP,1005	1	SA
...4		2007-007108	R-CHIP;43.2Kohm,1%,1/16W,TP,1005	1	SA
...4		2007-007142	R-CHIP;10Kohm,1%,1/16W,TP,1005	2	SNA
...4		2007-007156	R-CHIP;1ohm,5%,1/16W,TP,1005	23	SNA
...4		2007-007306	R-CHIP;100ohm,1%,1/16W,TP,1005	4	SNA
...4		2007-007309	R-CHIP;12Kohm,1%,1/16W,TP,1005,0.35T	1	SA
...4		2007-007311	R-CHIP;22Kohm,1%,1/16W,TP,1005	1	SA
...4		2007-007317	R-CHIP;2.2Kohm,1%,1/16W,TP,1005	2	SA
...4		2007-007318	R-CHIP;1Kohm,1%,1/16W,TP,1005	15	SNA
...4		2007-007517	R-CHIP;240ohm,1%,1/16W,TP,1005	1	SNA

Level	Loc.	Part Code	Description & Specification	Qty.	SA/SNA
...4		2007-007538	R-CHIP;56Kohm,1%,1/16W,TP,1005	1	SA
...4		2007-008015	R-CHIP;75ohm,1%,1/16W,TP,1005	8	SA
...4		2007-008275	R-CHIP;30Kohm,1%,1/16W,TP,1005	1	SNA
...4		2007-008332	R-CHIP;11.5Kohm,1%,1/16W,TP,1005	2	SA
...4		2011-001261	R-NETWORK;33ohm,5%,1/16W,L,CHIP,8P,TP,2.	2	SA
...4		2011-001262	R-NETWORK;22ohm,5%,1/16W,L,CHIP,8P,TP,2.	2	SA
...4		2011-001344	R-NETWORK;100ohm,5%,1/16W,L,CHIP,8P,TP,2	6	SA
...4		2011-001345	R-NETWORK;10Kohm,5%,1/16W,L,CHIP,8P,TP,2	6	SA
...4		2011-001396	R-NETWORK;4.7Kohm,5%,1/16W,L,CHIP,8P,TP,	5	SA
...4		2011-001449	R-NETWORK;22ohm,5%,1/16W,L,4P,TP,1010	1	SA
...4	AD480	2203-000233	C-CER,CHIP;0.1nF,5%,50V,C0G,TP,1005	7	SA
...4	AD480	2203-000278	C-CER,CHIP;0.01nF,0.5pF,50V,C0G,TP,1005	1	SA
...4	AD480	2203-000359	C-CER,CHIP;0.15nF,5%,50V,C0G,TP,1005,0.5	4	SA
...4	AD480	2203-000438	C-CER,CHIP;1nF,10%,50V,X7R,TP,1005	7	SA
...4	AD480	2203-000489	C-CER,CHIP;2.2nF,10%,50V,X7R,TP,1005	1	SA
...4	AD480	2203-000585	C-CER,CHIP;0.22nF,10%,50V,X7R,TP,1005	1	SA
...4	AD480	2203-000627	C-CER,CHIP;0.022nF,5%,50V,C0G,TP,1005	2	SNA
...4	AD480	2203-000714	C-CER,CHIP;3.3nF,10%,50V,X7R,TP,1005	10	SA
...4	AD480	2203-000812	C-CER,CHIP;0.033nF,5%,50V,C0G,TP,1005	1	SA
...4	AD480	2203-000940	C-CER,CHIP;0.47nF,10%,50V,X7R,TP,1005	4	SA
...4	AD480	2203-000995	C-CER,CHIP;0.047nF,5%,50V,C0G,TP,1005	3	SA
...4	AD480	2203-001412	C-CER,CHIP;0.03nF,5%,50V,NP0,TP,1005	3	SNA
...4	AD480	2203-002285	C-CER,CHIP;10nF,10%,50V,X7R,TP,1005	12	SNA
...4	AD480	2203-002443	C-CER,CHIP;0.33nF,10%,50V,X7R,TP,1005	10	SA
...4	AD480	2203-005249	C-CER,CHIP;100nF,10%,50V,X7R,TP,1608	13	SNA
...4	AD480	2203-005659	C-CER,CHIP;0.18nF,5%,50V,NP0,TP,1005	1	SNA
...4	AD480	2203-006048	C-CER,CHIP;100nF,10%,10V,X7R,TP,1005	84	SA
...4	AD480	2203-006126	C-CER,CHIP;47nF,10%,16V,X7R,TP,1005	12	SNA
...4	AD480	2203-006324	C-CER,CHIP;2200nF,10%,10V,X5R,TP,1608	5	SA
...4	AD480	2203-006348	C-CER,CHIP;1000nF,10%,25V,X5R,TP,1608,0.	3	SA
...4	AD480	2203-006361	C-CER,CHIP;10000nF,10%,10V,X5R,TP,2012	6	SC
...4	AD480	2203-006474	C-CER,CHIP;22000nF,20%,6.3V,X5R,TP,2012	14	SA
...4	AD480	2203-006562	C-CER,CHIP;1000nF,10%,10V,X5R,TP,1005	15	SNA
...4	AD480	2203-006636	C-CER,CHIP;220nF,10%,25V,X7R,TP,1608	2	SA
...4	AD480	2203-006698	C-CER,CHIP;1000nF,10%,25V,X7R,TP,1608,0.	1	SA
...4	AD480	2203-006842	C-CER,CHIP;0.47nF,5%,50V,C0G,TP,1005	1	SNA
...4	AD480	2203-006890	C-CER,CHIP;10000nF,20%,6.3V,X5R,TP,1608	31	SA
...4	AD480	2203-007176	C-CER,CHIP;10000nF,10%,16V,X5R,TP,2012,1	6	SNA
...4	AD480	2203-007240	C-CER,CHIP;22000nF,20%,6.3V,X5R,TP,1608(2	SA
...4	AD480	2203-007269	C-CER,CHIP;22000nF,20%,10V,X5R,TP,2012(2	5	SA

Exploded Views and Parts List

Level	Loc.	Part Code	Description & Specification	Qty.	SA/SNA
...4	AD480	2203-007270	C-CER,CHIP;10000nF,10%,10V,X5R,TP,1608,0	5	SNA
...4	AD480	2203-007306	C-CER,CHIP;10000nF,10%,25V,X5R,TP,2012,1	1	SNA
...4	AD480	2203-007513	C-CER,CHIP;10000nF,10%,10V,X5R,TP,1608,0	1	SA
...4	AD480	2203-007544	C-CER,CHIP;100nF,10%,50V,X7R,TP,1005,0.5	3	SA
...4		2503-001051	C-NETWORK;100nFx4,20%,16V,2012	1	SA
...4		2703-000158	INDUCTOR-SMD;1uH,10%,2012,.40Ohm,50mA,45,	3	SA
...4		2703-000213	INDUCTOR-SMD;470nH,10%,1608,1.35Ohm,35mA	1	SA
...4		2703-001209	INDUCTOR-SMD;1.2uH,10%,1608,.80Ohm,25mA,3	3	SA
...4		2703-002332	INDUCTOR-SMD;330nH,5%,1608,30Ohm,100mA,32	1	SA
...4		2703-003149	INDUCTOR-SMD;2.2uH,20%,5050,0.055Ohm,300	1	SA
...4		2703-003790	INDUCTOR-SMD;4.7uH,20%,8080,0.025ohm,450	1	SA
...4		2703-003930	INDUCTOR-SMD;4.7uH,20%,5050,0.072Ohm,245	4	SA
...4		2703-004145	INDUCTOR-SMD;2.2uH,20%,6.5 x 6.9mm,0.20o	1	SNA
...4		2801-003773	CRYSTAL-SMD;12MHz,30ppm,28-AAN,20pF,50oh	1	SA
...4		3301-001364	BEAD-SMD;1000ohm,1608,TP,1085ohm/108MHz,	2	SNA
...4		3301-002039	BEAD-SMD;26ohm,1608,TP	42	SA
...4		3701-001856	CONNECTOR-HDMI;19P,FEMALE,AU,0.5mm,BLK,S	2	SA
...4		3707-001106	CONNECTOR-OPTICAL;STRAIGHT W/L,SPDIF	1	SA
...4		3708-001150	CONNECTOR-FPC/FFC/PIC;30P,1mm,SMD-A,SN,Z	1	SA
...4		3709-001712	CONNECTOR-CARD SLOT;68P,1.27mm,ANGLE,AU,	1	SA
...4	EH01	3711-008521	HEADER-BOARD TO CABLE;BOX,8P,1R,2mm,ANGL	1	SA
...4	EH01	3711-008634	HEADER-BOARD TO CABLE;BOX,10P,2R,2mm,ANG	1	SA
...4	EH01	3711-008782	HEADER-BOARD TO CABLE;BOX,4P,1R,2.5mm,ST	1	SNA
...4		3722-003457	JACK-USB;4P/IC,NI,BLK,A	1	SA
...4		3722-003655	JACK-SCART;21P,SN,BLK	1	SA
...4	ET01	BN40-00281A	TUNER;DTOS40EIL276A,DTOS40EIL276A,DVB-TC	1	SA
...4		BN41-02217B	PCB MAIN;Mega_EU_NT14L,FR-4,4,1.2T,192x1	1	SNA
...4		BN97-07377F	ASSY MICOM-SUB;T-NT14LDEUS-1002,2014.02.	1	SNA
....5		1107-002226	IC-NOR FLASH;W25Q40CLSSIP,4Mbit,SOIC,8P,	1	SA
...4		BN97-07377K	ASSY MICOM;T-NT14LDEUC-XXXX,F59L1G81A-25	1	SNA
....5		1107-002252	IC-NAND FLASH;F59L1G81A-25TIG,1Gbit,128M	1	SA
....5		BN46-00371E	S/W-E-MANUAL;NT14L,EU4,XC, XN, ZF, ZG, Z	1	SNA
....5		BN46-00377A	S/W MICOM;T-NT14LDEUC-XXXX,2013.10.23	1	SNA
1		BN92-14070P	ASSY P/MATERIAL;UN40F6400AFXZA	1	SNA
.2		6902-001671	BAG ROLL;HDPE/PE FOAM,T0.01/T0.3,W750,L3	2	SNA
.2		6922-000013	BAND;PP,W18,L2300/L2900,TRP	1	SNA
.2		BN01-00043A	FOIL-STRETCH-HOOD;LLDPE,T0.08,W980,L1400	0	SNA
.2	AS080	BN63-10787C	SHEET-COVER;UE37EH5000,PE,T4.0,W1100,L13	1	SNA
.2		BN69-08445A	PAD;COMM,CB,SW2,T3,W900,L1200,-,-,-,YE	1	SNA
.2		BN69-10320A	CUSHION-SET;40UH4200-SS(EU),EPS,16.7g/l,	1	SNA

Level	Loc.	Part Code	Description & Specification	Qty.	SA/SNA
..3		0103-005099	RESIN EPS;BASF303,Natural,Natural	300	SNA
.2		BN69-10887A	PALLET;40H4200,WOOD,1060,1240,130,18%	1	SNA
.2		BN74-00008N	TAPE OPP;Silent,T0.065,W60,L1500M,NTR,Ac	2	SNA
1	ACCE1	BN92-15307L	ASSY ACCESSORY;UH4500 32	1	SNA
.2		BN68-05417B	LABEL-ENERGY;ALL,EDC,PP,T0.135,60,125,En	1	SNA
.2		BN96-31597N	ASSY ACCESSORY MANUAL;UH5K	1	SNA
..3		6902-001964	BAG PE;LDPE,BIOBASED,T0.03,W200,L300,TRP	1	SNA
..3		BN68-00514K	MANUAL FLYER-06,WARRANTY CARD;comm,Samsu	1	SNA
..3		BN68-04972A	MANUAL FLYER-07,REGULATORY GUI;ALL,SAMSU	1	SNA
..3		BN68-05737B	MANUAL USERS;UH4200,XC,W/P	1	SNA
..3		BN68-05944R	LEAFLET-13,FICHE;UH55Series,W/P	1	SNA
.2		BN96-31646G	ASSY ACCESSORY CABLE;UH5K	1	SNA
..3	T0268	3903-000849	CBF-POWER CORD;DT,CEE,LP-21L,250V,2.5A,B	1	SC
..3		4301-000121	BATTERY-MN;1.5V,R03,10.5x44.5m,7.5g,AAA	2	SNA
..3		6902-001965	BAG PE;LDPE,BIOBASED,T0.05,W200,L300,TRP	1	SNA
..3	REMO2	AA59-00741A	REMOCON;TM1240,44,3.0V,F5020/EU	1	SA
..3		BN68-02989A	LABEL-PQS;ALL,ALL,Paper,30,65,WHITE,SEH	1	SNA
..3		BN96-15806B	ASSY HOLDER P-WIRE STAND;UE5500,NYLON,BL	1	SNA
...4		BN61-04731D	TAPE DOUBLE FACE;AMBER,ACRYL,T1.1,W20.0m	0	SNA
...4		BN61-05491C	HOLDER-WIRE STAND;UE5500,PA,BLK	1	SNA
..3		BN96-32380B	ASSY ACCESSORY-SCREW;BN69-10588A,BN61-09	2	SNA
...4	HOLDE	BN61-09494D	HOLDER-BOLT;BH+,SWRCH18A,L14,M4,B TYPE	8	SA
...4		BN69-10588A	BAG SCREW;LDPE,-,0.05,70,90,TRP,-,-,LED	2	SNA
1		BN92-15511E	ASSY BOX;UH4200	1	SNA
.2		BH68-00662A	LABEL BOX-01;ALL MODEL,ART PAPER,60,110,	1	SNA
.2		BN69-10561B	BOX UNIT-SET;40UH4200-SS(EU),CB,A-01,SW3	1	SNA
1		BN92-15513E	ASSY LABEL;H4200	1	SNA
.2		BN68-05935J	LEAFLET-01,QSG;UH4200,EU,ART	1	SNA
.2	T0527	BP68-00052B	LABEL-00,RATING;FPTV,PET,T0.05,93,73	1	SNA