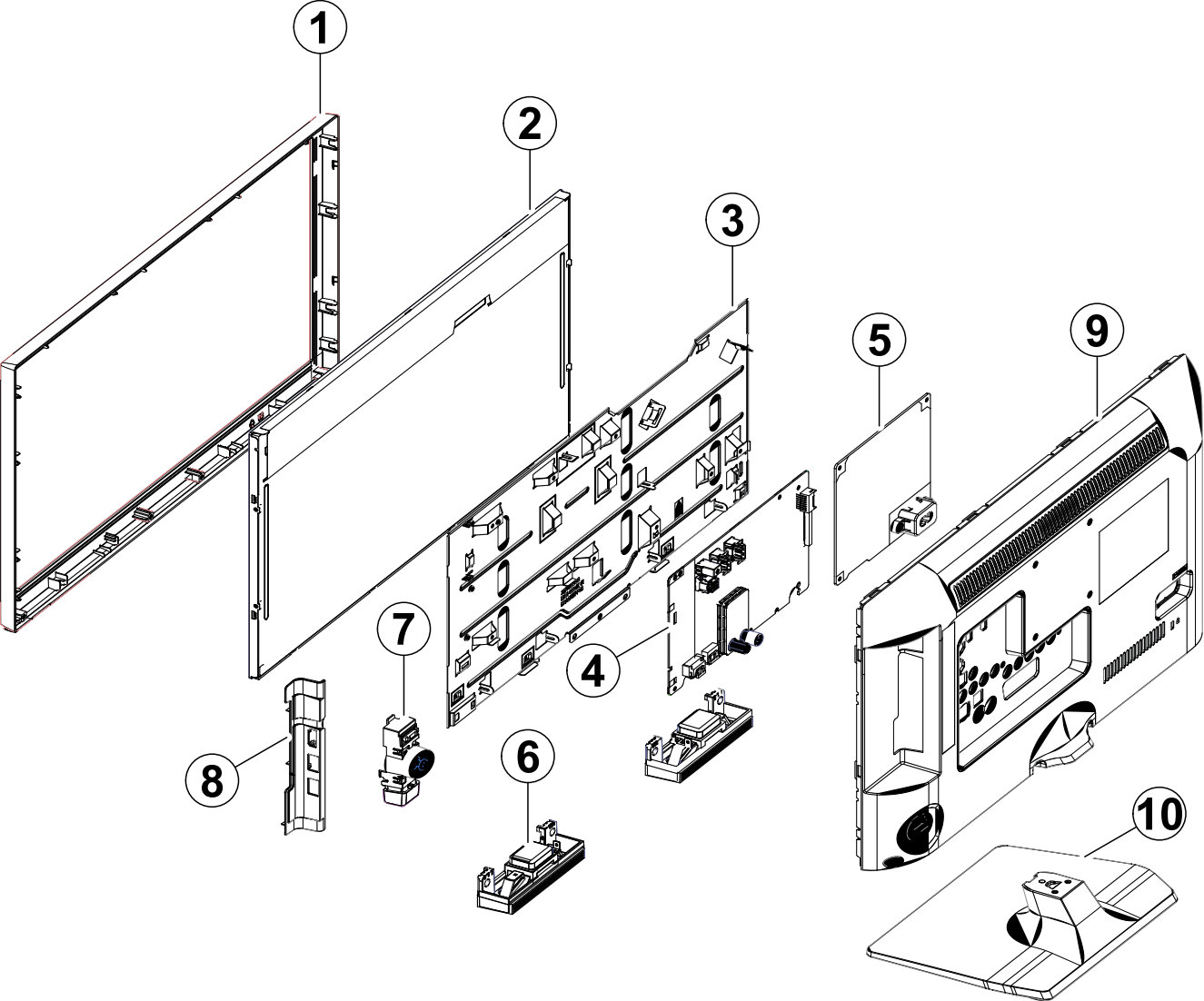


1. Exploded View & Part List

Exploded View



Parts List

No.	Lvl.	Loc.	Material Code	Description & Specification	SNA	Qty.
1	2	F001A	BN96-30853A	ASSY COVER P-FRONT; UH4000 19,PC+ABS,V0,B	SA	1
2	2	PANEL	BN07-01335A	LCD-PANEL; HT185WX1-300 B4,BBT51300,6bit*	SA	1
3	2	CB07A	BN96-31255A	ASSY BRACKET P-PCB; UH4000 19,SECC,T0.5,B	SNA	1
4	2	M0014	BN94-07207C	ASSY PCB MAIN; UH4A,19,PAL,DVB-T/C	SA	1
5	2	P001A	BN44-00692A	DC VSS-LED TV PD BD; L22S0Q_EPN,L22S0Q_EP	SA	1
6	2	SP01A	BN96-30339A	ASSY SPEAKER P; 12ohm,3W,Enclosure_H4k	SA	1
7	2	FB01A	BN96-30942B	ASSY BOARD P-JOG SWITCH & IR; UH4000,FUNC	SA	1
8	3		BN61-09991A	HOLDER-SIDE AV; UH5000,HIPS,EO	SNA	1
9	2	R001A	BN96-30852D	ASSY COVER P-REAR; UH4000 19,MPPE,V1,BLAC	SA	1
10	2	SB04A	BN96-31254B	ASSY STAND P-BASE; UH4000/5000 19/22,ABS+	SA	1

2. Electrical Parts List

Level	Loc.	Part Code	Description & Specification	Qty.	SA/SNA
			UE19H4000AWXZG (FP01)		
1		BN90-05513A	ASSY COVER FRONT;19H4000,Europe	1	SNA
.2	F001A	BN96-30853A	ASSY COVER P-FRONT;UH4000 19,PC+ABS,V0,B	1	SA
..3		0204-005923	POLYURETHANE;Urethane,hot-melt adhesive,	2	SNA
..3	CCM1	BN63-05199P	SHEET-COVER;AMBER,PE,T0.08,W1000,200M,CL	0	SNA
..3	F001	BN63-11729A	COVER-FRONT;UH4000 19,ABS+PC,BLACK,V0,EU	1	SNA
1	R001A	BN90-05514D	ASSY COVER REAR;19H4000,BOE	1	SNA
.2	SCREW	6003-001782	SCREW-TAPTYPE;BH,+,B,M4,L12,ZPC(BLK),SWR	5	SA
.2	R001A	BN96-30852D	ASSY COVER P-REAR;UH4000 19,MPPE,V1,BLAC	1	SA
..3	R001	BN63-11724C	COVER-REAR;UH4000 19,MPPE,BLACK,V1,BOE,E	1	SNA
...4		0103-009565	RESIN-MPPE;ST85HF,1D129A,BK0020,V-1	1.	500
..3		BN68-05653B	LABEL-TERMINAL SIDE;UH5K,PET,T0.125,W16.	1	SNA
..3		BN96-27450A	ASSY HOLDER P-WALL;UF4000 UF5000	4	SNA
..4		BN61-09442A	HOLDER-WALL;19F4K 22F5K,LDPE,H6,L13,BLK	4	SNA
..4		BN61-09462A	BRACKET-NUT;LED TV,NUT,T3.9,L9.5,D3,WALL	4	SNA
1	S001A	BN90-05515B	ASSY STAND;UH4000,UH5000,Europe,CIS	1	SNA
.2	SB04A	BN96-31254B	ASSY STAND P-BASE;UH4000/5000 19/22,ABS+	1	SA
..3	AS080	BN63-04755K	SHEET-COVER;19LC350/450,PE,T0.05,W110mm,	0	SNA
..3		BN63-11622B	COVER-STAND BASE;UH4000/5000 19/22,ABS+P	1	SNA
..4		0103-005041	RESIN PC ABS;FR3200TV,901408,BK0008,1.2m	150	SNA
..3		BN67-00327D	RUBBER-FOOT;STAND,SILICON,13*13,T2,GRAY(5	SNA
..3		BN69-08751A	WRAP VINYL-SHRINK;STAND,PLASTIC OTHERS,P	0	SNA
..3		BN96-18013D	ASSY ACCESSORY-SCREW;6003-001782,3EA,ALL	1	SNA
...4	SCREW	6003-001782	SCREW-TAPTYPE;BH,+,B,M4,L12,ZPC(BLK),SWR	3	SA
...4		6902-000341	BAG PE;LDPE,T0.05,L90,W70,TRP,,,PE MARK	1	SNA
1		BN90-05517A	ASSY W/I;U19H4000	1	SNA
.2		BN81-08159Z	PART SET-ELEC W/I;UF4~UF8,UH4~UH9 ELEC	1	SNA
.2		BN81-09498A	PART SET-MECH W/I;UH4A,U19HA*	1	SNA
1	M0017	BN91-12027C	ASSY CHASSIS;UH4A,19,PAL,DVB-T/C	1	SNA
.2	M0014	BN94-07207C	ASSY PCB MAIN;UH4A,19,PAL,DVB-T/C	1	SA
..3		0202-001608	SOLDER-WIRE FLUX;LFC7-107,D0.8,99.3Sn/0.	0	SNA
..3		BN61-09991A	HOLDER-SIDE AV;UH5000,HIPS,EO	1	SNA
..4		0103-004631	RESIN-HIPS;HF-1690H,K21294,BK0007,1.5mm	15	SNA
..3		BN97-07120D	ASSY DRM-KEY;NT14L_DRM-KEY(CI+)	1	SNA
...4		BN46-00328B	KEY CODE-CERTIFI;CI+,TV,NT14, EU	1	SNA
..3		BN97-07934C	ASSY SMD;UH4A	1	SNA
...4		0202-001830	SOLDER-CREAM;LFM-48W TM-HP,D20~38um,96.5	5	SNA
...4	DS01A	0401-001056	DIODE-SWITCHING;MMBD4148SE,100V,200mA,SO	1	SA

Level	Loc.	Part Code	Description & Specification	Qty.	SA/SNA
...4	DS01A	0401-001116	DIODE-SWITCHING;BAV99DW,75V,215mA,SOT-36	2	SA
...4		0403-001552	DIODE-ZENER;DDZ16,15.69/16.51V,500mW,SOD	1	SA
...4		0403-001783	DIODE-ZENER;BZB84-C6V2,5.8/6.6V,300mW,SO	5	SNA
...4		0403-001784	DIODE-ZENER;NZH7V5C,7.29/7.67V,500mW,SOD	1	SNA
...4		0403-001785	DIODE-ZENER;NZH5V1B,4.94/5.2V,500mW,SOD-	1	SA
...4		0403-001797	DIODE-ZENER;NZH3V0B,2.85/3.15V,500mW,SOD	1	SNA
...4		0404-001404	DIODE-SCHOTTKY;BAT721C,40V,200mA,SOT-23,	2	SA
...4		0406-001200	DIODE-TVS;RCLAMP0504F,6/-V,150W,SC-70	1	SA
...4		0406-001628	DIODE-TVS;AOZ8804ADI,6/-V,150W,SLP2510	4	SA
...4		0501-000279	TR-SMALL SIGNAL;KSA1182-Y,PNP,150mW,SOT-	1	SA
...4		0501-000445	TR-SMALL SIGNAL;KTC3875S-Y,NPN,150mW,SOT	6	SC
...4		0505-002560	FET-SILICON;AO6415,P,-20V,-3.3A,0.15ohm,	3	SA
...4		0505-003397	FET-SILICON;2N7002K,N,60V,380mA,1.19ohm,	6	SA
...4		0801-002780	IC-CMOS LOGIC;74LVC1G17,SCHMITT-TRIGGER	2	SA
...4		0801-003330	IC-CMOS LOGIC;Octal buffer,DQFN,20P,4.5x	1	SA
...4		1001-001860	IC-ANALOG SWITCH;NX5L2750CGU,QFN,10P,1.4	1	SNA
...4		1103-001531	IC-EEPROM;S-24C256CI-J8T1U4,256Kbit,32Kx	1	SA
...4		1105-002527	IC-DDR3 SDRAM;K4B2G1646Q-BCK0,DDR3,2Gbit	1	SA
...4		1201-003183	IC-AUDIO AMP;DRV612,HTSSOP,14P,5x4.4mm,D	1	SA
...4		1201-003671	IC-AUDIO AMP;NTP7414,MLF,48P,7x7mm,DUAL,	1	SA
...4		1203-004363	IC-VOL. DETECTOR;SOT-23,3Z30,2.9x1.6mm,P	1	SA
...4		1203-006017	IC-VOL. DETECTOR;RT9824GJ8,TSOT23,8P,2.9	1	SA
...4		1203-006130	IC-POSI.FIXED REG.;S-1172B25-U5T1G,SOT-8	1	SA
...4		1203-007694	IC-DC/DC CONVERTER;SN1106041DDAR,DDA,8Z3	2	SA
...4		1203-007984	IC-DC/DC CONVERTER;AOZ3015PI,SO-8,8P,6.2	1	SA
...4		1203-008103	IC-POSI.FIXED REG.;S-13A1D15-E8001,HSOP,	1	SNA
...4		1203-008104	IC-POSI.FIXED REG.;S-13A1D18-E8001,HSOP,	1	SNA
...4		1203-008105	IC-POSI.FIXED REG.;S-13A1D33-E8001,HSOP,	1	SNA
...4		1204-003492	IC-DECODER;SENK14,LFBGA,624P,21x21mm,PLA	1	SA
...4		1205-004447	IC-SWITCH;TPS2051CDBVR,SOT23-5,5P,3x1.65	2	SA
...4		1405-001271	VARISTOR;35V,20Vdc,5A,1.0x0.5x0.6mm,TP,1	24	SA
...4		2007-000137	R-CHIP;2Kohm,5%,1/16W,TP,1005	7	SNA
...4		2007-000138	R-CHIP;100ohm,5%,1/16W,TP,1005	21	SA
...4		2007-000142	R-CHIP;2.7Kohm,5%,1/16W,TP,1005	1	SA
...4		2007-000143	R-CHIP;4.7Kohm,5%,1/16W,TP,1005	47	SNA
...4		2007-000148	R-CHIP;10Kohm,5%,1/16W,TP,1005	29	SA
...4		2007-000153	R-CHIP;22Kohm,5%,1/16W,TP,1005	8	SNA
...4		2007-000157	R-CHIP;47Kohm,5%,1/16W,TP,1005	6	SNA
...4		2007-000162	R-CHIP;100Kohm,5%,1/16W,TP,1005	6	SNA
...4		2007-000168	R-CHIP;470Kohm,5%,1/16W,TP,1005	3	SA

Level	Loc.	Part Code	Description & Specification	Qty.	SA/SNA
...4		2007-000172	R-CHIP;10ohm,5%,1/16W,TP,1005	2	SNA
...4		2007-000173	R-CHIP;22ohm,5%,1/16W,TP,1005	10	SNA
...4		2007-000174	R-CHIP;47ohm,5%,1/16W,TP,1005	2	SNA
...4		2007-000256	R-CHIP;1.6Kohm,1%,1/10W,TP,1608	1	SA
...4		2007-000475	R-CHIP;1Mohm,1%,1/10W,TP,1608	1	SA
...4		2007-000691	R-CHIP;3.3Mohm,5%,1/10W,TP,1608	1	SA
...4		2007-000695	R-CHIP;3.3ohm,5%,1/10W,TP,1608	4	SNA
...4		2007-000775	R-CHIP;33Kohm,5%,1/16W,TP,1005	2	SNA
...4		2007-000931	R-CHIP;470ohm,5%,1/8W,TP,2012	1	SC
...4		2007-000932	R-CHIP;470ohm,5%,1/16W,TP,1005	7	SNA
...4		2007-001168	R-CHIP;75ohm,5%,1/4W,TP,3216	1	SA
...4		2007-001292	R-CHIP;33ohm,5%,1/16W,TP,1005	12	SNA
...4		2007-001298	R-CHIP;51ohm,5%,1/16W,TP,1005	2	SNA
...4		2007-001313	R-CHIP;330ohm,5%,1/16W,TP,1005	2	SNA
...4		2007-001325	R-CHIP;3.3Kohm,5%,1/16W,TP,1005	1	SNA
...4		2007-003025	R-CHIP;6.8ohm,5%,1/16W,TP,1005	2	SA
...4		2007-007095	R-CHIP;390ohm,5%,1/16W,TP,1005	1	SA
...4		2007-007107	R-CHIP;100Kohm,1%,1/16W,TP,1005	1	SNA
...4		2007-007108	R-CHIP;43.2Kohm,1%,1/16W,TP,1005	1	SA
...4		2007-007139	R-CHIP;47Kohm,1%,1/16W,TP,1005	1	SA
...4		2007-007142	R-CHIP;10Kohm,1%,1/16W,TP,1005	2	SNA
...4		2007-007156	R-CHIP;1ohm,5%,1/16W,TP,1005	19	SNA
...4		2007-007306	R-CHIP;100ohm,1%,1/16W,TP,1005	4	SNA
...4		2007-007309	R-CHIP;12Kohm,1%,1/16W,TP,1005,0.35	1	SA
...4		2007-007311	R-CHIP;22Kohm,1%,1/16W,TP,1005	1	SA
...4		2007-007317	R-CHIP;2.2Kohm,1%,1/16W,TP,1005	2	SA
...4		2007-007318	R-CHIP;1Kohm,1%,1/16W,TP,1005	17	SNA
...4		2007-007517	R-CHIP;240ohm,1%,1/16W,TP,1005	1	SNA
...4		2007-007538	R-CHIP;56Kohm,1%,1/16W,TP,1005	1	SA
...4		2007-008015	R-CHIP;75ohm,1%,1/16W,TP,1005	10	SA
...4		2007-008275	R-CHIP;30Kohm,1%,1/16W,TP,1005	1	SNA
...4		2007-008332	R-CHIP;11.5Kohm,1%,1/16W,TP,1005	2	SA
...4		2007-009138	R-CHIP;33Kohm,1%,1/16W,TP,1005	2	SNA
...4		2011-001261	R-NETWORK;33ohm,5%,1/16W,L,CHIP,8P,TP,2.	2	SA
...4		2011-001262	R-NETWORK;22ohm,5%,1/16W,L,CHIP,8P,TP,2.	2	SA
...4		2011-001344	R-NETWORK;100ohm,5%,1/16W,L,CHIP,8P,TP,2	6	SA
...4		2011-001345	R-NETWORK;10Kohm,5%,1/16W,L,CHIP,8P,TP,2	6	SA
...4		2011-001396	R-NETWORK;4.7Kohm,5%,1/16W,L,CHIP,8P,TP,	5	SA
...4		2011-001449	R-NETWORK;22ohm,5%,1/16W,L,4P,TP,1010	1	SA
...4	AD480	2203-000233	C-CER,CHIP;0.1nF,5%,50V,COG,TP,1005	9	SA

Exploded Views and Parts List

Level	Loc.	Part Code	Description & Specification	Qty.	SA/SNA
...4	AD480	2203-000278	C-CER,CHIP;0.01nF,0.5pF,50V,C0G,TP,1005	1	SA
...4	AD480	2203-000359	C-CER,CHIP;0.15nF,5%,50V,C0G,TP,1005,0.5	4	SA
...4	AD480	2203-000438	C-CER,CHIP;1nF,10%,50V,X7R,TP,1005	7	SA
...4	AD480	2203-000489	C-CER,CHIP;2.2nF,10%,50V,X7R,TP,1005	1	SA
...4	AD480	2203-000585	C-CER,CHIP;0.22nF,10%,50V,X7R,TP,1005	1	SA
...4	AD480	2203-000627	C-CER,CHIP;0.022nF,5%,50V,C0G,TP,1005	2	SNA
...4	AD480	2203-000714	C-CER,CHIP;3.3nF,10%,50V,X7R,TP,1005	10	SA
...4	AD480	2203-000812	C-CER,CHIP;0.033nF,5%,50V,C0G,TP,1005	1	SA
...4	AD480	2203-000940	C-CER,CHIP;0.47nF,10%,50V,X7R,TP,1005	6	SA
...4	AD480	2203-000995	C-CER,CHIP;0.047nF,5%,50V,C0G,TP,1005	3	SA
...4	AD480	2203-001412	C-CER,CHIP;0.03nF,5%,50V,NP0,TP,1005	6	SNA
...4	AD480	2203-002285	C-CER,CHIP;10nF,10%,50V,X7R,TP,1005	12	SNA
...4	AD480	2203-002443	C-CER,CHIP;0.33nF,10%,50V,X7R,TP,1005	8	SA
...4	AD480	2203-005054	C-CER,CHIP;0.0047nF,0.25pF,50V,NP0,TP,10	2	SA
...4	AD480	2203-005249	C-CER,CHIP;100nF,10%,50V,X7R,TP,1608	13	SNA
...4	AD480	2203-005659	C-CER,CHIP;0.18nF,5%,50V,NP0,TP,1005	1	SNA
...4	AD480	2203-006048	C-CER,CHIP;100nF,10%,10V,X7R,TP,1005	87	SA
...4	AD480	2203-006126	C-CER,CHIP;47nF,10%,16V,X7R,TP,1005	12	SNA
...4	AD480	2203-006324	C-CER,CHIP;2200nF,10%,10V,X5R,TP,1608	5	SA
...4	AD480	2203-006348	C-CER,CHIP;1000nF,10%,25V,X5R,TP,1608,0.	3	SA
...4	AD480	2203-006361	C-CER,CHIP;10000nF,10%,10V,X5R,TP,2012	6	SC
...4	AD480	2203-006474	C-CER,CHIP;22000nF,20%,6.3V,X5R,TP,2012	14	SA
...4	AD480	2203-006562	C-CER,CHIP;1000nF,10%,10V,X5R,TP,1005	17	SNA
...4	AD480	2203-006636	C-CER,CHIP;220nF,10%,25V,X7R,TP,1608	2	SA
...4	AD480	2203-006698	C-CER,CHIP;1000nF,10%,25V,X7R,TP,1608,0.	1	SA
...4	AD480	2203-006890	C-CER,CHIP;10000nF,20%,6.3V,X5R,TP,1608	31	SA
...4	AD480	2203-007176	C-CER,CHIP;10000nF,10%,16V,X5R,TP,2012,1	6	SNA
...4	AD480	2203-007240	C-CER,CHIP;22000nF,20%,6.3V,X5R,TP,1608,	2	SA
...4	AD480	2203-007269	C-CER,CHIP;22000nF,20%,10V,X5R,TP,2012,0	4	SNA
...4	AD480	2203-007270	C-CER,CHIP;10000nF,10%,10V,X5R,TP,1608,0	5	SNA
...4	AD480	2203-007306	C-CER,CHIP;10000nF,10%,25V,X5R,TP,2012,1	1	SNA
...4	AD480	2203-007513	C-CER,CHIP;10000nF,10%,10V,X5R,TP,1608,0	1	SA
...4	AD480	2203-007544	C-CER,CHIP;100nF,10%,50V,X7R,TP,1005	2	SA
...4		2503-001051	C-NETWORK;100nFx4,20%,16V,2012	1	SA
...4		2703-000158	INDUCTOR-SMD;1uH,10%,2012,.40Ohm,50mA,45,	3	SA
...4		2703-000213	INDUCTOR-SMD;470nH,10%,1608,1.35Ohm,35mA	1	SA
...4		2703-001209	INDUCTOR-SMD;1.2uH,10%,1608,.80Ohm,25mA,3	3	SA
...4		2703-002332	INDUCTOR-SMD;330nH,5%,1608,30Ohm,100mA,32	1	SA
...4		2703-003149	INDUCTOR-SMD;2.2uH,20%,5050,0.055Ohm,300	1	SA
...4		2703-003790	INDUCTOR-SMD;4.7uH,20%,8080,0.025ohm,450	1	SA

Level	Loc.	Part Code	Description & Specification	Qty.	SA/SNA
...4		2703-003930	INDUCTOR-SMD;4.7uH,20%,5050,0.072Ohm,245	4	SA
...4		2703-004145	INDUCTOR-SMD;2.2uH,20%,6.5 x 6.9mm,0.20o	1	SNA
...4		2801-003773	CRYSTAL-SMD;12MHz,30ppm,28-AAN,20pF,50oh	1	SA
...4		3301-002039	BEAD-SMD;26ohm,1608,TP	42	SA
...4		3701-001856	CONNECTOR-HDMI;19P,2ROW,FEMALE,SMD-S,AU	2	SA
...4		3707-001106	CONNECTOR-OPTICAL;STRAIGHT W/L,SPDIF	1	SA
...4		3708-001150	CONNECTOR-FPC/FFC/PIC;30P,1mm,SMD-A,SN,Z	1	SA
...4		3709-001712	CONNECTOR-CARD SLOT;68P,1.27mm,ANGLE,AU,	1	SA
...4	EH01	3711-008131	HEADER-BOARD TO CABLE;BOX,4P,1R,2.5mm,AN	1	SA
...4	EH01	3711-008521	HEADER-BOARD TO CABLE;BOX,8P,1R,2mm,ANGL	1	SA
...4	EH01	3711-008634	HEADER-BOARD TO CABLE;BOX,10P,2R,2mm,ANG	1	SA
...4		3722-003225	JACK-USB;4P/1C,Au,BLK,SMD-A(DIP),A,13.1x	1	SA
...4	JACK PIN	3722-003546	JACK-PIN;5P+Screw hole,NI+SN,G,Y/BLU/RED	1	SA
...4		3722-003655	JACK-SCART;21P,SN,BLK	1	SA
...4		3722-003667	JACK-PHONE;1P/7C,SN/NI,BLK,STRAIGHT,3.6P	1	SA
...4	ET01	BN40-00281A	TUNER;DTOS40EIL276A,DTOS40EIL276A,DVB-TC	1	SA
...4		BN41-02105A	PCB MAIN;NT14L_SMALL,FR-4,4,1.2T,192x122	1	SNA
...4		BN97-07377F	ASSY MICOM-SUB;T-NT14LDEUS-1002,2014.02.	1	SNA
....5		1107-002226	IC-NOR FLASH;W25Q40CLSSIP,4Mbit,SOIC,8P,	1	SNA
...4		BN97-07377K	ASSY MICOM;T-NT14LDEUC-XXXX,F59L1G81A-25	1	SNA
....5		1107-002252	IC-NAND FLASH;F59L1G81A-25TIG,1Gbit,128M	1	SA
....5		BN46-00371E	S/W-E-MANUAL;NT14L,EU4,XC, XN, ZF, ZG, Z	1	SNA
....5		BN46-00377A	S/W MICOM;T-NT14LDEUC-XXXX,2013.10.23	1	SNA
..3	T0066	BP62-00017A	HEAT SINK-ES;SP-50L2HX,A6063S,T2.0,26.2,	1	SNA
1		BN91-12296A	ASSY LCD;BN07-01335A	1	SNA
.2	PANEL	BN07-01335A	LCD-PANEL;HT185WX1-300 B4,BBT51300,6bit*	1	SA
1		BN91-12352A	ASSY SHIELD;19H4000	1	SNA
.2	SCREW	6001-003016	SCREW-MACHINE;PWH,+,M3.0,L5.0,ZPC(WHT),S	7	SA
.2	EC13	BN39-01476Q	LEAD CONNECTOR;SB240,Lead Connector,UL10	1	SA
.2	EC13	BN39-01873D	LEAD CONNECTOR;UA19F4000AMXR,D,Cable Conn	1	SA
.2		BN39-01885D	LEAD CONNECTOR-POWER CABLE;23H4003,Lead	1	SA
.2	P001A	BN44-00692A	DC VSS-LED TV PD BD;L22S0Q_EPN,L22S0Q_EP	1	SA
.2	FL06	BN96-29061Z	ASSY CABLE P-FFC;NT14L 19H4000,LVDS CABL	1	SA
.2	SP01A	BN96-30339A	ASSY SPEAKER P;12ohm,3W,Enclosure_H4k	1	SA
.2	FB01A	BN96-30942B	ASSY BOARD P-JOG SWITCH & IR;UH4000,FUNC	1	SA
.2	CB07A	BN96-31255A	ASSY BRACKET P-PCB;UH4000 19,SECC,T0.5,B	1	SNA
..3	M0131	AA63-01071A	GASKET;PO24FS,CONDUCTIVE FABRIC,2mm,15mm	3	SNA
..3		BN60-00162K	SPACER-FOAM;FOAM,50000mm,DARK GRAY,0.5T,	1	SNA
..3	CB07	BN61-10004A	BRACKET-PCB;UH4000 19,SECC,0.5T,BOE 18.5	1	SNA
1	ACCE1	BN92-13771H	ASSY ACCESSORY;UH4A	1	SNA

Exploded Views and Parts List

Level	Loc.	Part Code	Description & Specification	Qty.	SA/SNA
.2		BN68-05417A	LABEL-02,ENERGY;ALL,EDC,Polypropylene,T0	1	SNA
.2		BN96-30232X	ASSY ACCESSORY MANUAL;UH4A	1	SNA
..3		6902-001964	BAG PE;LDPE,BIOBASED,T0.03,W200,L300,TRP	1	SNA
..3		BN68-00514K	MANUAL FLYER-05,WARRANTY CARD;comm,Samsu	1	SNA
..3		BN68-04972A	MANUAL FLYER-05,REGULATORY GUI;ALL,SAMSU	1	SNA
..3		BN68-05658K	MANUAL USERS;H5070,ZG,PAPER*,70G	1	SNA
..3		BN68-05730A	LEAFLET-03,FICHE;EUROPE FICHE CARD,MOJO*	1	SNA
.2	ACCE2	BN96-31593A	ASSY ACCESSORY-CABLE;BN96-30232B,SEH,UE1	1	SNA
..3	T0268	3903-000849	CBF-POWER CORD;DT,CEE,LP-21L,250V,2.5A,B	1	SC
..3		4301-000121	BATTERY-MN;1.5V,R03,10.5x44.5m,7.5g,AAA	2	SNA
..3		6902-001965	BAG PE;LDPE,BIOBASED,T0.05,W200,L300,TRP	1	SNA
..3	REMO2	AA59-00741A	REMOCON;TM1240,44,3.0V,F5020/EU	1	SA
..3		BN68-02989A	LABEL-PQS;ALL,ALL,Paper,30,65,WHITE,SEH	1	SNA
..3		BN96-15806B	ASSY HOLDER P-WIRE STAND;UE5500,NYLON,BL	1	SNA
...4		BN61-04731D	BOSS-TAPE;AMBER,ACRYL,T1.1,W20.0mm,WHITE	0	SNA
...4		BN61-05491C	HOLDER-WIRE STAND;UE5500,NYLON,BLK	1	SNA
1		BN92-13860K	ASSY LABEL;UH4B	1	SNA
.2		BN68-05769B	MANUAL FLYER-01,INLAY & STAND;UH4000 19",	1	SNA
.2	T0527	BP68-00052B	LABEL-00,RATING;FPTV,PET,T0.05,93,73	1	SNA
1		BN92-14232B	ASSY BOX;19H4000	1	SNA
.2		BH68-00662A	LABEL BOX-01;ALL MODEL,ART PAPER,60,110,	1	SNA
.2		BN69-09858B	BOX-SET;19UH4000-SS,CB,A1,SW,YEL,W611,D9	1	SNA
1		BN92-14236A	ASSY P/MATERIAL;19H4000	1	SNA
.2		6902-001673	BAG ROLL;HDPE/PE FOAM,T0.01/T0.3,W450,L3	1	SNA
.2		6922-000013	BAND PP;PP,W18,L2300/L2900,TRP	0	SNA
.2		BN01-00043A	FOIL-STRETCH-HOOD;LLDPE,T0.08,W980,L1400	0	SNA
.2	AS080	BN63-11092A	SHEET-COVER;PS51F8500,PE,T4.0,W1200,L135	1	SNA
.2		BN69-08447A	PACKING INNER-PAD;COMM,CB,SW2,T3,W800,L1	1	SNA
.2		BN69-09648A	CUSHION-SET;H4000 19",EPS,SQUARE	1	SNA
..3		0103-005099	RESIN-EPS;BASF303,Natural,Natural	67	SNA
.2		BN69-10423A	PALLET-WOODEN;UE19H4000,WOOD,1090,1250,1	1	SNA
.2		BN74-00008N	TAPE OPP-MASKING;T0.065,W60,L1500M,NTR,S	2	SNA