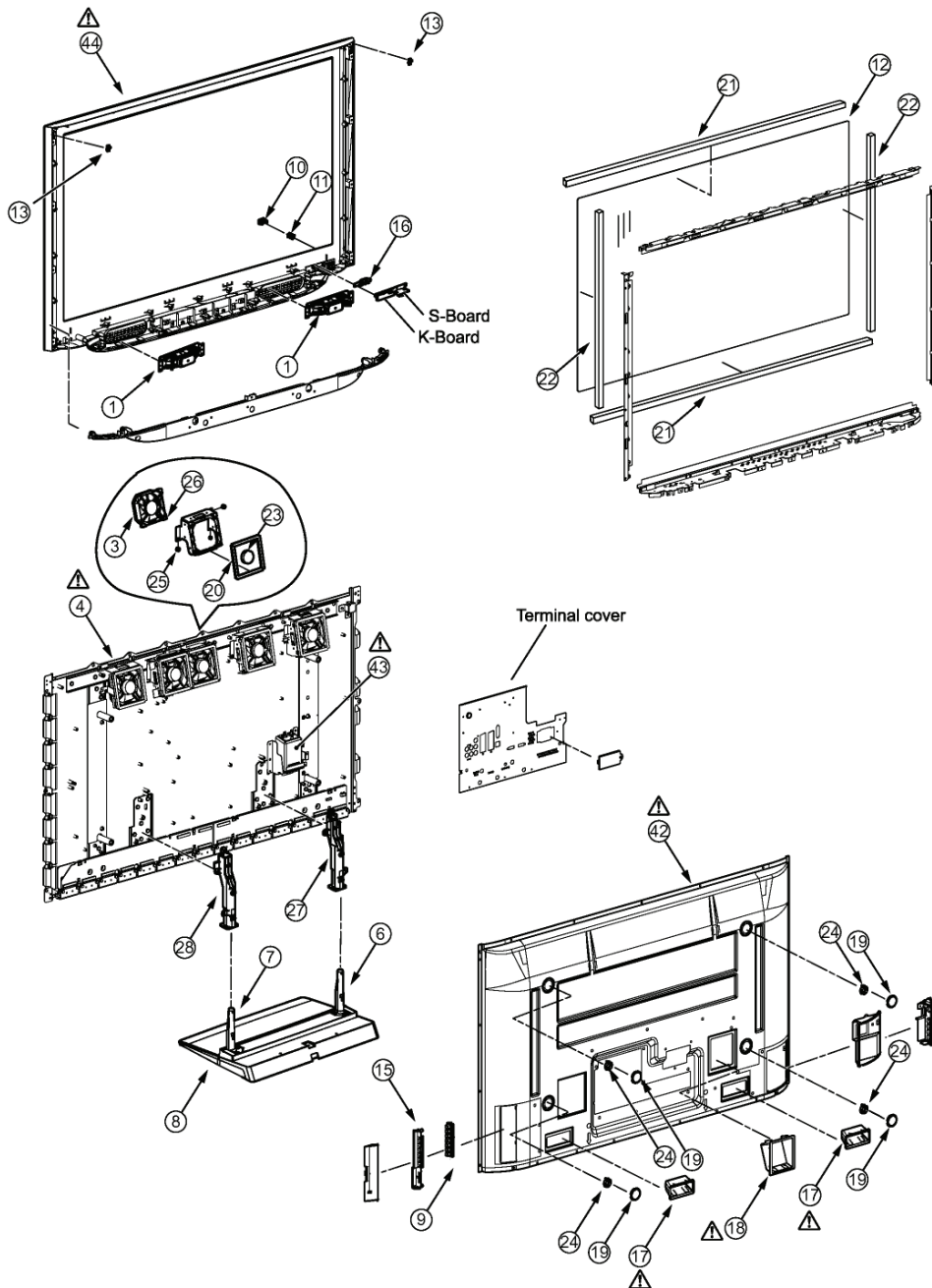


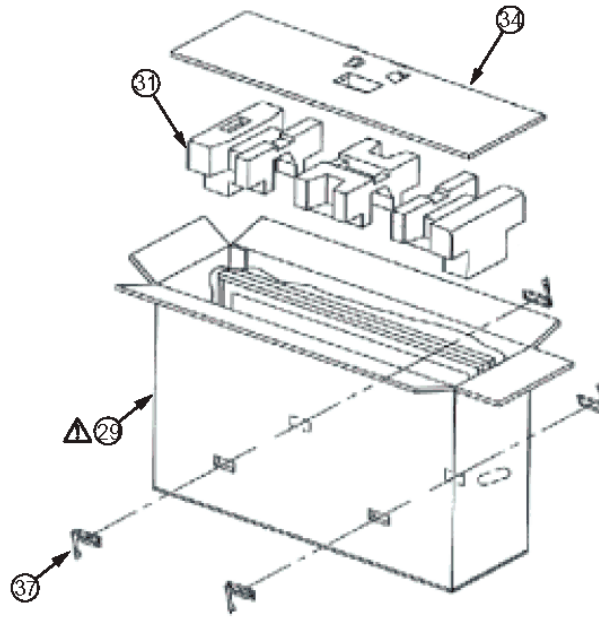
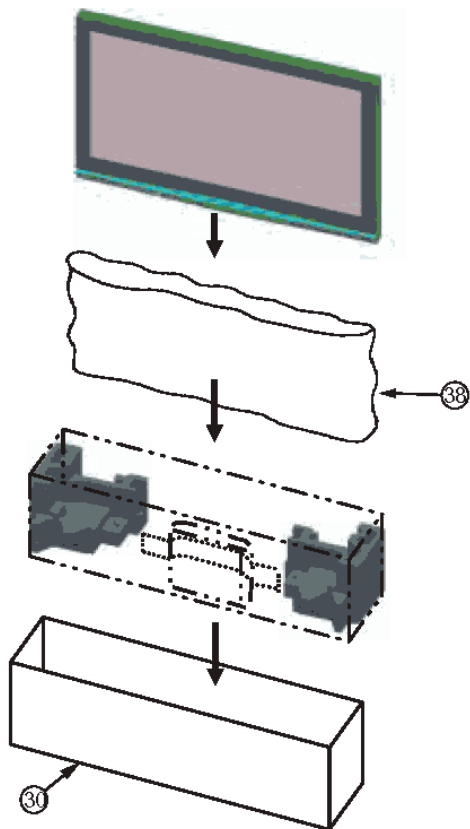
13 Exploded View and Replacement Parts List

13.1. Exploded View and Mechanical Replacement Parts List

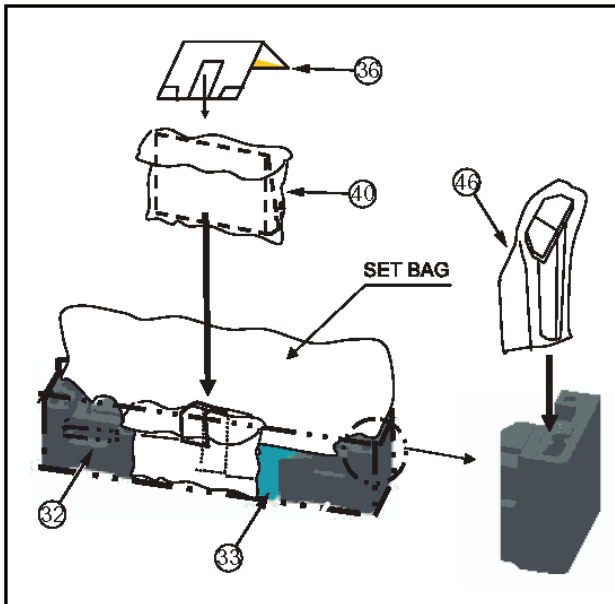
13.1.1. Exploded View



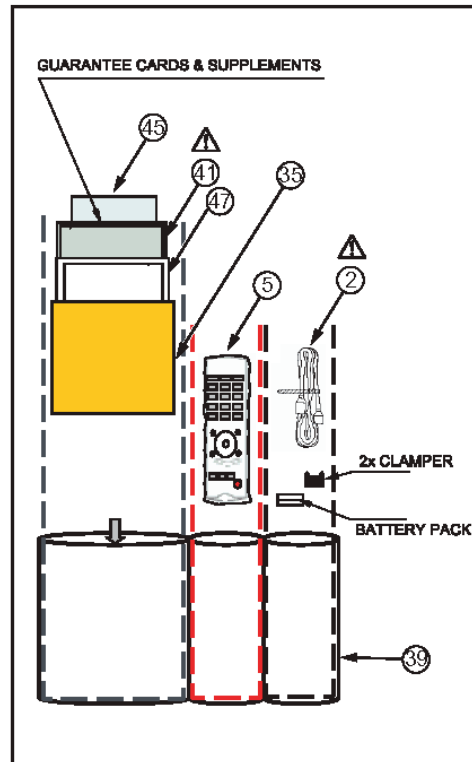
13.1.2. Packing



BACK SIDE VIEW







ACCESSORY



13.1.3. Mechanical Replacement Parts List

Note: All parts except parts mentioned [PAVCCZ] in the Remarks column are supplied by AVC-CSPC.
Parts mentioned [PAVCCZ] are supplied by PAVCCZ.

Safety	Ref. No.	Part No.	Part Name & Description	Q'ty	Remarks
	1	EAS16S10A	SPEAKER	2	
	2	K2CN3DH00006	AC CORD	1	
	3	L6FAYYYH0050	FAN(80MM-T25)	4	
	4	MD46F11A1J	PLASMA DISPLAY PANEL	1	
	5	N2QAYB000239	REMOTE CONTROL	1	PAVCCZ
	6	TBLA3615	STAND POLE LEFT	1	
	7	TBLA3614	STAND POLE RIGHT	1	
	8	TBLX0045	PEDESTAL STAND	1	PAVCCZ
	9	TBX0E84001	CONTROL BUTTON	1	PAVCCZ
	10	TBX0E84801	POWER BUTTON	1	PAVCCZ
	11	TES0E201	POWER BUTTON SPRING	1	PAVCCZ
		THEC118N	STEP SCREW	2	
		THEJ016J	SCREW(AC INRET:2)	2	
		THEL037N	SCREW	30	
		THEL0429	SCREW	17	
		THEL052Z	SCREW (BC TOP:4)	16	
		THEL060N	SCREW(STAND-TV)	4	
		THTD013N	SCREW	10	
		THTF011N	SCREW	31	
		THTF011N	SCREW	42	
	12	TKGA5436-1	FRONT GLASS	1	
	13	TKK0E9901	REAR COVER HOOK	2	PAVCCZ
	15	TKK0E9905	SIDE CONTROL PANEL BOTTOM	1	PAVCCZ
	16	TKP0E27101	LED PANEL	1	PAVCCZ
	17	TKR0E0302	REAR COVER HANDLE	2	PAVCCZ
	18	TKR0E1301	INLET COVER	1	PAVCCZ
	19	TKR0E1701	M8 SPACER CAP	4	PAVCCZ
		TMK0EG004	SPEAKER SPONGE	2	PAVCCZ
		TMKG190-1	SPONGE (5X40X115)	1	PAVCCZ
	20	TMKG667	SPONGE (FAN)	4	
	21	TMKG869	SPONGE (UPPER/BOTTOM)	2	
	22	TMKG870	SPONGE (LEFT/RIGHT)	2	
	23	TMKG896	SPONGE (FAN CENTER)	4	
	24	TMM0E905	M8 SPACER	4	PAVCCZ
		TMM15414-2	CLAMPER	1	
		TMM17499	CLAMPER	1	
		TMM6428-1	CLAMPER	1	
		TMM7464-2	CLAMPER	2	
		TMME084	CLAMPER	2	
		TMME088	CLAMPER	7	
		TMME190	CLAMPER	2	
		TMME260	CLAMPER	9	
		TMME261	CLAMPER	1	

Safety	Ref. No.	Part No.	Part Name & Description	Q'ty	Remarks
		TMME285	CLAMPER	1	
		TMME287	CLAMPER	12	
		TMME289	CLAMPER	1	
		TMME292	CLAMPER	22	
	25	TMMJ068	RUBBER (FAN)	10	
	26	TMMJ082	SPONGE (FAN CORNER)	16	
		TMXX045	AC CORD HOLDER	1	
		TMXX055	AC CORD CLAMPER	2	
	27	TMZ2AX0301	STAND BRACKET LEFT	1	PAVCCZ
	28	TMZ2AX0302	STAND BRACKET RIGHT	1	PAVCCZ
	29	TPC0E47300D	CARTON BOX TOP	1	PAVCCZ
	30	TPC0E47400	CARTON BOX BOTTOM	1	PAVCCZ
	31	TPD0E1031	TOP SIDE CUSHION	1	PAVCCZ
	32	TPD0E2005	BOTTOM SIDE CUSHION	1	PAVCCZ
	33	TPD0E2008	PEDESTAL CUSHION	1	PAVCCZ
	34	TPD0E9122	TOP PAD	1	PAVCCZ
	35	TPD0E9137	ACCESSORIES PAD	1	PAVCCZ
	36	TPD0E9140	PEDESTAL PAD	1	PAVCCZ
	37	TPD169487	JOINT	4	
	38	TPE0E4020	BAG	1	PAVCCZ
	39	TPE0E9001	ACCESSORIES BAG	1	PAVCCZ
	40	TPEB331-1	BAG (PEDESTAL STAND)	1	
		TPEB340	BAG (STAND ACCESSORY)	1	
	41	TQB0E0687A	INSTRUCTION BOOK (GERMAN)	1	PAVCCZ
	41	TQB0E0687B	INSTRUCTION BOOK (DUTCH)	1	PAVCCZ
	41	TQB0E0687C	INSTRUCTION BOOK (ITALIAN)	1	PAVCCZ
	41	TQB0E0687D	INSTRUCTION BOOK (FRENCH)	1	PAVCCZ
	41	TQB0E0687E	INSTRUCTION BOOK (SPANISH)	1	PAVCCZ
	41	TQB0E0687F	INSTRUCTION BOOK (SWEDISH)	1	PAVCCZ
	41	TQB0E0687G	INSTRUCTION BOOK (NORWEGIAN)	1	PAVCCZ
	41	TQB0E0687H	INSTRUCTION BOOK (FINNISH)	1	PAVCCZ
	41	TQB0E0687I	INSTRUCTION BOOK (LITHUANIAN)	1	PAVCCZ
	41	TQB0E0687J	INSTRUCTION BOOK (PORTUGUESE)	1	PAVCCZ
	41	TQB0E0687K	INSTRUCTION BOOK (DANISH)	1	PAVCCZ
	41	TQB0E0687M	INSTRUCTION BOOK (BULGARIAN)	1	PAVCCZ
	41	TQB0E0687N	INSTRUCTION BOOK (ROMANIAN)	1	PAVCCZ
	41	TQB0E0687O	INSTRUCTION BOOK (LATVIAN)	1	PAVCCZ
	41	TQB0E0687P	INSTRUCTION BOOK (POLISH)	1	PAVCCZ
	41	TQB0E0687Q	INSTRUCTION BOOK (HUNGARIAN)	1	PAVCCZ
	41	TQB0E0687R	INSTRUCTION BOOK (CZECH)	1	PAVCCZ
	41	TQB0E0687S	INSTRUCTION BOOK (GREEK)	1	PAVCCZ
	41	TQB0E0687T	INSTRUCTION BOOK (TURKISH)	1	PAVCCZ
	41	TQB0E0687U	INSTRUCTION BOOK (ENGLISH)	1	PAVCCZ

Safety	Ref. No.	Part No.	Part Name & Description	Q'ty	Remarks
	41	TQB0E0687W	INSTRUCTION BOOK (SLOVAKIAN)	1	PAVCCZ
	41	TQB0E0687X1	INSTRUCTION BOOK (CD-ROM)	1	PAVCCZ
	41	TQB0E0687Z	INSTRUCTION BOOK (ESTONIAN)	1	PAVCCZ
		TQZJ029	SCREW USE HANDBILL	1	
		TSXL519	CABLE (C10-C20/SU11-SD11)	2	
		TSXL658	CABLE (D20-SC20)	1	
		TSXL660	CABLE (D31-C11/D32-C21/D33-C22)	3	
		TSXL661	CABLE (C26-C36)	1	
	42	TTU0E0459	REAR COVER	1	PAVCCZ
	43	TXAJS01RJTU	AC INLET ASSY	1	PAVCCZ
		TXFKK01RLTB	SIDE CONTROL PANEL TOP ASSY	1	PAVCCZ
		TXFKK02RLTB	SIDE TERMINAL PANEL TOP ASSY	1	PAVCCZ
		TXFKR01RLTB	CI COVER ASSY	1	PAVCCZ
	44	TXFKY01AEUD	CABINET ASSY	1	PAVCCZ
	45	TXFPE01RLTB	CLEANING CLOTH ASSY	1	PAVCCZ
		TXJA12RLTB	SPEAKER LEAD (A12-SP)	1	PAVCCZ
		TXJSWRRKTB	SPEAKER LEAD (SP-SPR.SP-SPL)	2	PAVCCZ
		XSB3+6FJ	SCREW	2	
		XTB4+12GFJ	SCREW	34	
		XTB4+12GFJK	SCREW	20	
		XTB4+12GFN	TAP SCREW	8	
		XTB4+5FFN	SCREW	4	
		XTS4+12GFN	SCREW	6	
		XTV3+10JFJK	SCREW	3	
		XTV3+8GFJ	SCREW (BC HOOK:2)	4	
		XTV3+8GFJK	SCREW	1	
		XTW3+8TFJ	SCREW	9	
		XTW4+15DFJ	SCREW	12	
		XYN3+F8FJ	SCREW	33	
		XYN3+J12FJ	SCREW	45	
		XYN4+E8FJ	SCREW	1	
		XYN4+F10FJ	SCREW	14	
		XYN4+F14FJ	SCREW	6	
		XYN5+C15FJ	SCREW	8	
		XYN5+F18FN	SCREW (STAND POLE)	4	
	46	XZB17X19C03	POLY BAG (STAND POLE)	1	
	47	XZBT6506	POLY BAG (INSTRUCTION BOOK)	1	

13.2. Electrical Replacement Parts List

13.2.1. Replacement Parts List Notes

RTL (Retention Time Limited)

Note: The marking (RTL) indicates that the Retention Time is Limited for this item. After the discontinuation of this assembly in production, the item will continue to be available for a specific period of time. The retention period of availability is dependant on the type of assembly, and in accordance with the laws governing part and product retention. After the end of this period, the assembly will no longer be available.

Abbreviation of part name and description

1. Resistor

Example:

ERD25TJ104 C 100KOHM, J, 1/4W
 Type Allowance

2. Capacitor

Example:

ECKF1H103ZF C 0.01UF, Z, 50V
 Type Allowance

Type	Allowance
C : Carbon	F : ±1%
F : Fuse	G : ±2%
M : Metal Oxide Metal Film	J : ±5%
S : Solid	K : ±10%
W : Wire Wound	M : ±20%

Type	Allowance
C : Ceramic	C : ±0.25pF
E : Electrolytic	D : ±0.5pF
P : Polyester	F : ±1pF
Polypropylene	G : ±3pF
T : Tantalum	J : ±5pF
	K : ±10pF
	L : ±15pF
	M : ±20pF
	P : +100%, -0%
	Z : +80%, -20%

13.2.2. Electrical Replacement Parts List

Note: All parts except parts mentioned [PAVCCZ] in the Remarks column are supplied by AVC-CSPC.
Parts mentioned [PAVCCZ] are supplied by PAVCCZ.

Safety	Ref. No.	Part No.	Part Name & Description	Pcs	Remarks
	A1	K1KA06A00508	6P CONNECTOR	1	
	A2	K1KA03A00632	3P CONNECTOR	1	
	A3	K1KA14A00248	14P CONNECTOR	1	
	A5	K1KB31AA0140	31P CONNECTOR	1	
	A6	K1KA12AA0715	12P CONNECTOR	1	
	A7	K1KA11AA0715	11P CONNECTOR	1	
	A8	K1KA06AA0104	6P CONNECTOR	1	
	A11	K1KA30AA0009	30P CONNECTOR	1	
	A12	K1KA04AA0190	4P CONNECTOR	1	
	A33	K1KA11AA0715	11P CONNECTOR	1	
	A34	K1KA20AA0009	20P CONNECTOR	1	
	A35	K1KA04AA0104	4P CONNECTOR	1	
	A51	K1KA16AA0729	16P CONNECTOR	1	
	A52	K1KA15A00148	15P CONNECTOR	1	
	C858	FIJ1E104A227	C 0.10UF, Z, 25V	1	
	C859	FIJ1E104A227	C 0.10UF, Z, 25V	1	
	C860	F2A1E101A599	E 100UF, 25V	1	
	C861	FIJ1E104A227	C 0.10UF, Z, 25V	1	
	C862	FIJ1E104A227	C 0.10UF, Z, 25V	1	
	C869	ECA1EHG471	E 470UF, 25V	1	
	C1102	FIJ1A106A043	C 0.010UF, K, 10V	1	
	C1103	FIG1C104A116	C 0.10UF, K, 16V	1	
	C1104	FIG1C104A116	C 0.10UF, K, 16V	1	
	C1106	FIG1H270A731	C 27UF, 50V	1	
	C1107	FIG1H220A731	C 22UF, 50V	1	
	C1108	FIG1C104A116	C 0.10UF, K, 16V	1	
	C1109	FIH1A1050032	C 10UF, 50V	1	
	C1111	FIH1A1050032	C 10UF, 50V	1	
	C1112	FIG1C104A116	C 0.10UF, K, 16V	1	
	C1114	FIG1C104A116	C 0.10UF, K, 16V	1	
	C1117	FIG1C104A116	C 0.10UF, K, 16V	1	
	C1122	FIG1E103A123	C 0.010UF, K, 16V	1	
	C1123	FIH1A1050032	C 10UF, 50V	1	
	C1128	F2H0J1010009	C 100UF, 6.3V	1	
	C1129	FIG1H101A565	C 100PF, K, 50V	1	
	C1131	FIG1H101A565	C 100PF, K, 50V	1	
	C1133	FIG1H102A730	C 1000UF, 50V	1	
	C1136	FIG1H102A730	C 1000UF, 50V	1	
	C2023	FIG1C104A116	C 0.10UF, K, 16V	1	
	C2048	FIG1C104A116	C 0.10UF, K, 16V	1	
	C2049	FIG1C104A116	C 0.10UF, K, 16V	1	
	C2050	FIG1C104A116	C 0.10UF, K, 16V	1	
	C2052	FIG1C104A116	C 0.10UF, K, 16V	1	
	C2053	FIG1C104A116	C 0.10UF, K, 16V	1	
	C2054	FIJ1A106A043	C 0.010UF, K, 10V	1	
	C2055	FIG1H120A731	C 12UF, 50V	1	
	C2056	FIG1H180A731	C 18UF, 50V	1	
	C2057	FIG1C104A116	C 0.10UF, K, 16V	1	
	C2058	FIG1C104A116	C 0.10UF, K, 16V	1	
	C2059	FIJ1A106A043	C 0.010UF, K, 10V	1	
	C2091	FIG1H150A731	C 15UF, 50V	1	
	C2092	FIG1H220A731	C 22UF, 50V	1	
	C2096	FIG1C104A116	C 0.10UF, K, 16V	1	
	C2098	F2G0J2210013	E 220UF 6.3V	1	
	C2099	F2G0J2210013	E 220UF 6.3V	1	
	C2100	FIG1C104A116	C 0.10UF, K, 16V	1	
	C2101	FIJ1A106A043	C 0.010UF, K, 10V	1	

Safety	Ref. No.	Part No.	Part Name & Description	Pcs	Remarks
	C2102	FIG1C104A116	C 0.10UF, K, 16V	1	
	C2104	FIH1H681A971	C 680UF, 50V	1	
	C2105	FIG1C104A116	C 0.10UF, K, 16V	1	
	C2106	FIG1C104A116	C 0.10UF, K, 16V	1	
	C2107	F2G0J470A019	E 47UF 6.3V	1	
	C2108	F2G0J470A019	E 47UF 6.3V	1	
	C2109	FIG1C104A116	C 0.10UF, K, 16V	1	
	C2110	FIG1C104A116	C 0.10UF, K, 16V	1	
	C2111	FIH0J2250008	C 2.2UF, K, 16V	1	
	C2112	FIJ1A106A043	C 0.010UF, K, 10V	1	
	C2113	FIJ1A106A043	C 0.010UF, K, 10V	1	
	C2114	FIG1C104A116	C 0.10UF, K, 16V	1	
	C2115	FIG1C104A116	C 0.10UF, K, 16V	1	
	C2116	FIG1H471A731	C 470UF, 50V	1	
	C2117	FIG1C104A116	C 0.10UF, K, 16V	1	
	C2118	FIH1A1050032	C 10UF, 50V	1	
	C2119	EEH1A221P	C 220PF, J, 10V	1	
	C2120	FIG1H560A731	C 56UF, 50V	1	
	C2121	FIG1H560A731	C 56UF, 50V	1	
	C2122	FIG1E103A123	C 0.010UF, K, 16V	1	
	C2123	FIG1E103A123	C 0.010UF, K, 16V	1	
	C2124	FIG1C104A116	C 0.10UF, K, 16V	1	
	C2125	FIG1E103A123	C 0.010UF, K, 16V	1	
	C2126	FIJ1A106A043	C 0.010UF, K, 10V	1	
	C2127	FIG1E103A123	C 0.010UF, K, 16V	1	
	C2128	FIG1E103A123	C 0.010UF, K, 16V	1	
	C2129	FIG1E103A123	C 0.010UF, K, 16V	1	
	C2133	FIH1H681A971	C 680UF, 50V	1	
	C2134	FIH1H681A971	C 680UF, 50V	1	
	C2135	FIG1E103A123	C 0.010UF, K, 16V	1	
	C2136	FIG1E103A123	C 0.010UF, K, 16V	1	
	C2137	FIJ1A106A043	C 0.010UF, K, 10V	1	
	C2138	FIG1C104A116	C 0.10UF, K, 16V	1	
	C2139	FIH1H681A971	C 680UF, 50V	1	
	C2140	FIH1H681A971	C 680UF, 50V	1	
	C2141	FIH1H681A971	C 680UF, 50V	1	
	C2142	FIH1H681A971	C 680UF, 50V	1	
	C2143	FIH1H681A971	C 680UF, 50V	1	
	C2151	FIJ1A106A043	C 0.010UF, K, 10V	1	
	C2155	FIG1C104A116	C 0.10UF, K, 16V	1	
	C2174	FIH1A1050032	C 10UF, 50V	1	
	C2175	F2G0J470A019	E 47UF 6.3V	1	
	C2176	FIG1E103A123	C 0.010UF, K, 16V	1	
	C2179	F2G0J470A019	E 47UF 6.3V	1	
	C2180	FIH1A1050032	C 10UF, 50V	1	
	C2184	FIG1H102A730	C 1000UF, 50V	1	
	C2187	FIH0J2250008	C 2.2UF, K, 16V	1	
	C2188	FIG1H471A730	C 470UF, 50V	1	
	C2189	FIH1A1050032	C 10UF, 50V	1	
	C2191	FIJ1A106A043	C 0.010UF, K, 10V	1	
	C2192	F2G0J470A019	E 47UF 6.3V	1	
	C2195	FIG1H102A730	C 1000UF, 50V	1	
	C2197	FIH1E333A129	C 0.033UF, 25V	1	

Safety	Ref. No.	Part No.	Part Name & Description	Pcs	Remarks
	C2198	F1H1E333A129	C 0.033UF, 25V	1	
	C2201	F1G1A473A053	C 0.47UF, 10V	1	
	C2202	F1H0J2250008	C 2.2UF, K, 16V	1	
	C2203	F1H1A1050032	C 10UF, 50V	1	
	C2204	F1H1A1050032	C 10UF, 50V	1	
	C2213	F1G1H102A730	C 1000UF, 50V	1	
	C2216	F1G1C104A116	C 0.10UF, K, 16V	1	
	C2244	F1G1C104A116	C 0.10UF, K, 16V	1	
	C2245	F1G1H102A730	C 1000UF, 50V	1	
	C2246	F1J1A106A043	C 0.010UF, K, 10V	1	
	C2251	F1J1A106A043	C 0.010UF, K, 10V	1	
	C2261	F1J1A106A043	C 0.010UF, K, 10V	1	
	C2262	F1J1A106A043	C 0.010UF, K, 10V	1	
	C2263	F1J1A106A043	C 0.010UF, K, 10V	1	
	C2264	F1J1A106A043	C 0.010UF, K, 10V	1	
	C2301	F1G1C104A116	C 0.10UF, K, 16V	1	
	C2302	F1G1C104A116	C 0.10UF, K, 16V	1	
	C2305	F1J1E105A171	C 1 UF 25V	1	
	C2307	F1J1E105A171	C 1 UF 25V	1	
	C2309	F1J1E105A171	C 1 UF 25V	1	
	C2313	F1H1A1050032	C 10UF, 50V	1	
	C2317	ECJ1VB1H104K	C 0.1UF, K, 50V	1	
	C2319	ECJ1VB1H104K	C 0.1UF, K, 50V	1	
	C2321	ECJ1VB1H104K	C 0.1UF, K, 50V	1	
	C2323	ECJ1VB1H104K	C 0.1UF, K, 50V	1	
	C2333	F1J1E3340003	C 0.33UF, Z, 25V	1	
	C2335	F1J1E3340003	C 0.33UF, Z, 25V	1	
	C2337	F1H1H223A970	C 0.22UF, K, 50V	1	
	C2339	F1H1H223A970	C 0.22UF, K, 50V	1	
	C2341	F1J1E3340003	C 0.33UF, Z, 25V	1	
	C2343	F1J1E3340003	C 0.33UF, Z, 25V	1	
	C2345	F1H1H223A970	C 0.22UF, K, 50V	1	
	C2347	F1H1H223A970	C 0.22UF, K, 50V	1	
	C2359	ECJ1VB1H102K	C 1000PF, K, 50V	1	
	C2361	F2G1E4710007	E 470UF, 25V	1	
	C2362	ECJ3YB1E106M	C 10 UF, K, 25V	1	
	C2375	F1H1H223A970	C 0.22UF, K, 50V	1	
	C2377	F1H1H223A970	C 0.22UF, K, 50V	1	
	C2379	F1H1H223A970	C 0.22UF, K, 50V	1	
	C2381	F1H1H223A970	C 0.22UF, K, 50V	1	
	C2383	F1G1H102A730	C 1000UF, 50V	1	
	C2385	F1G1H102A730	C 1000UF, 50V	1	
	C2387	F1G1H102A730	C 1000UF, 50V	1	
	C2389	F1G1H102A730	C 1000UF, 50V	1	
	C2393	F1K1C1060004	C 0.010UF, 16V	1	
	C2394	F1J1H474A757	C 0.47UF, 50V	1	
	C2395	F1J1H474A757	C 0.47UF, 50V	1	
	C2398	F1J1H474A757	C 0.47UF, 50V	1	
	C2400	F1G1C104A116	C 0.10UF, K, 16V	1	
	C2401	F1G1H181A731	C 180UF, 50V	1	
	C2402	F1G1C104A116	C 0.10UF, K, 16V	1	
	C2403	F2G1V220A020	E 22UF, 35V	1	
	C2404	F1G1H102A730	C 1000UF, 50V	1	
	C2407	F2H0J1010009	C 100UF, 6.3V	1	
	C2408	F1G1C104A116	C 0.10UF, K, 16V	1	
	C2409	F2G0J1020022	E 1100PF, J, 6.3V	1	
	C2410	F1H0J2250008	C 2.2UF, K, 16V	1	
	C2411	ECJ1VB1H104K	C 0.1UF, K, 50V	1	
	C2412	F2G1H100A031	E 10UF, 50V	1	
	C2413	F1H1A1050032	C 10UF, 50V	1	
	C2414	F1G1C104A116	C 0.10UF, K, 16V	1	
	C2415	F1G1C104A116	C 0.10UF, K, 16V	1	
	C2418	F1G1E103A123	C 0.010UF, K, 16V	1	
	C2419	F1G1H101A731	C 100PF, K, 50V	1	
	C2420	F1G1C104A116	C 0.10UF, K, 16V	1	
	C2427	F1H1A1050032	C 10UF, 50V	1	
	C2434	F1G1C104A116	C 0.10UF, K, 16V	1	

Safety	Ref. No.	Part No.	Part Name & Description	Pcs	Remarks
	C2501	F1J1A106A043	C 0.010UF, K, 10V	1	
	C2509	F1H1H103A970	C 0.001UF, K, 50V	1	
	C2510	F1H1H103A970	C 0.001UF, K, 50V	1	
	C2522	F1H1C104A143	C 0.1UF, K, 16V	1	
	C2601	F1G1A104A012	C 0.01UF, K, 10V	1	
	C2602	F1G1A104A012	C 0.01UF, K, 10V	1	
	C2603	F1G1A104A012	C 0.01UF, K, 10V	1	
	C2604	F1G1A104A012	C 0.01UF, K, 10V	1	
	C2605	F1G1A104A012	C 0.01UF, K, 10V	1	
	C2608	F1G1A104A012	C 0.01UF, K, 10V	1	
	C2609	F1G1A104A012	C 0.01UF, K, 10V	1	
	C2610	F1G1A104A012	C 0.01UF, K, 10V	1	
	C2611	F1G1A104A012	C 0.01UF, K, 10V	1	
	C2612	F1G1A104A012	C 0.01UF, K, 10V	1	
	C2613	F1G1H100A565	C 100PF, K, 50V	1	
	C2614	F1G1H100A565	C 100PF, K, 50V	1	
	C2615	F1G1A104A012	C 0.01UF, K, 10V	1	
	C2616	F1G1A104A012	C 0.01UF, K, 10V	1	
	C2617	F1G1A104A012	C 0.01UF, K, 10V	1	
	C2618	F1G1A104A012	C 0.01UF, K, 10V	1	
	C2619	F1G1A104A012	C 0.01UF, K, 10V	1	
	C2620	F1G1A104A012	C 0.01UF, K, 10V	1	
	C2621	F1G1A104A012	C 0.01UF, K, 10V	1	
	C2622	F1G1A104A012	C 0.01UF, K, 10V	1	
	C2623	F1G1A104A012	C 0.01UF, K, 10V	1	
	C2624	F1G1A104A012	C 0.01UF, K, 10V	1	
	C2625	F1G1A104A012	C 0.01UF, K, 10V	1	
	C2626	F1G1A104A012	C 0.01UF, K, 10V	1	
	C2627	F1G1A104A012	C 0.01UF, K, 10V	1	
	C2628	F1G1A104A012	C 0.01UF, K, 10V	1	
	C2629	F1G1A104A012	C 0.01UF, K, 10V	1	
	C2630	F1G1A104A012	C 0.01UF, K, 10V	1	
	C2631	F1G1A104A012	C 0.01UF, K, 10V	1	
	C2632	F1G1A104A012	C 0.01UF, K, 10V	1	
	C2633	F1G1A104A012	C 0.01UF, K, 10V	1	
	C2634	F1G1A104A012	C 0.01UF, K, 10V	1	
	C2635	ECJ1VB1H473K	C 0.047UF, K, 50V	1	
	C2637	EEHBOG221P	C 220PF, J, 4V	1	
	C2638	EEHBOG470R	C 47PF, J, 4V	1	
	C2639	F2G1C2200036	E 22UF, 16V	1	
	C2640	F2G1C2200036	E 22UF, 16V	1	
	C2641	F2G1C2200036	E 22UF, 16V	1	
	C2642	F1G1A104A012	C 0.01UF, K, 10V	1	
	C2643	F1G1A104A012	C 0.01UF, K, 10V	1	
	C2644	F1G1A104A012	C 0.01UF, K, 10V	1	
	C2645	F1G1A104A012	C 0.01UF, K, 10V	1	
	C2646	F1G1A104A012	C 0.01UF, K, 10V	1	
	C2647	F1G1A104A012	C 0.01UF, K, 10V	1	
	C2648	F1G1A104A012	C 0.01UF, K, 10V	1	
	C2649	F1G1A104A012	C 0.01UF, K, 10V	1	
	C2650	F2H0G3300002	E 33UF, 50V	1	
	C2651	F1G1H100A565	C 100PF, K, 50V	1	
	C2652	ECGRLOG680ER	C 68PF, J, 4V	1	
	C2653	F1G1H102A730	C 1000UF, 50V	1	
	C2654	F1G1H102A730	C 1000UF, 50V	1	
	C2655	F1G1H102A730	C 1000UF, 50V	1	
	C2656	F1G1H101A565	C 100PF, K, 50V	1	
	C2659	F1H1H101A971	C 100UF, 50V	1	
	C2661	F1G1A104A012	C 0.01UF, K, 10V	1	
	C3002	F1H1H561A971	C 560UF, 50V	1	
	C3003	F1H1H561A971	C 560UF, 50V	1	
	C3004	F1H1H561A971	C 560UF, 50V	1	
	C3005	F1H1H561A971	C 560UF, 50V	1	
	C3007	F1H1H561A971	C 560UF, 50V	1	
	C3008	F1H1H561A971	C 560UF, 50V	1	
	C3009	F1H1H561A971	C 560UF, 50V	1	
	C3010	F1H1H561A971	C 560UF, 50V	1	
	C3011	F1H1H561A971	C 560UF, 50V	1	
	C3012	F1H1H561A971	C 560UF, 50V	1	
	C3013	F1H1H561A971	C 560UF, 50V	1	

Safety	Ref. No.	Part No.	Part Name & Description	Pcs	Remarks
	C3014	FIH1H561A971	C 560UF, 50V	1	
	C3018	FIJ1A106A043	C 0.010UF, K, 10V	1	
	C3019	FIJ1A106A043	C 0.010UF, K, 10V	1	
	C3020	FIJ1A106A043	C 0.010UF, K, 10V	1	
	C3021	FIJ1A106A043	C 0.010UF, K, 10V	1	
	C3022	FIH1A1050032	C 10UF, 50V	1	
	C3023	FIG1C104A116	C 0.10UF, K, 16V	1	
	C3024	FIH1A1050032	C 10UF, 50V	1	
	C3025	FIH1A1050032	C 10UF, 50V	1	
	C3026	FIH1A1050032	C 10UF, 50V	1	
	C3027	FIJ1A106A043	C 0.010UF, K, 10V	1	
	C3028	FIJ1A106A043	C 0.010UF, K, 10V	1	
	C3029	FIJ1A106A043	C 0.010UF, K, 10V	1	
	C3030	FIJ1A106A043	C 0.010UF, K, 10V	1	
	C3039	FIH1A1050032	C 10UF, 50V	1	
	C3040	FIH1H222A970	C 2200PF, K, 50V	1	
	C3041	FIH1A1050032	C 10UF, 50V	1	
	C3042	FIH1H222A970	C 2200PF, K, 50V	1	
	C3043	FIH1A1050032	C 10UF, 50V	1	
	C3044	FIH1A1050032	C 10UF, 50V	1	
	C3046	FIH1A1050032	C 10UF, 50V	1	
	C3047	FIH1A1050032	C 10UF, 50V	1	
	C3048	FIH1A1050032	C 10UF, 50V	1	
	C3049	FIH1A1050032	C 10UF, 50V	1	
	C3064	FIG1H102A730	C 1000UF, 50V	1	
	C3065	FIG1H102A730	C 1000UF, 50V	1	
	C3070	FIJ1A106A043	C 0.010UF, K, 10V	1	
	C3071	FIJ1A106A043	C 0.010UF, K, 10V	1	
	C3072	FIG1C104A116	C 0.10UF, K, 16V	1	
	C3073	FIJ1A106A043	C 0.010UF, K, 10V	1	
	C3074	FIJ1A106A043	C 0.010UF, K, 10V	1	
	C3075	FIH1A1050032	C 10UF, 50V	1	
	C3077	FIG1C104A116	C 0.10UF, K, 16V	1	
	C3078	FIJ1A106A043	C 0.010UF, K, 10V	1	
	C3083	FIJ1A106A043	C 0.010UF, K, 10V	1	
	C3084	FIJ1A106A043	C 0.010UF, K, 10V	1	
	C3085	FIJ1A106A043	C 0.010UF, K, 10V	1	
	C3086	FIJ1A106A043	C 0.010UF, K, 10V	1	
	C3087	FIJ1A106A043	C 0.010UF, K, 10V	1	
	C3088	FIJ1A106A043	C 0.010UF, K, 10V	1	
	C3089	FIJ1A106A043	C 0.010UF, K, 10V	1	
	C3090	FIJ1A106A043	C 0.010UF, K, 10V	1	
	C3091	FIJ1A106A043	C 0.010UF, K, 10V	1	
	C3092	FIJ1A106A043	C 0.010UF, K, 10V	1	
	C3095	F2G1C1010034	E 100PF, J, 16V	1	
	C3097	F2G1C1010034	E 100PF, J, 16V	1	
	C3102	F2G1C1010034	E 100PF, J, 16V	1	
	C3103	F2G1C1010034	E 100PF, J, 16V	1	
	C3107	FIJ1A106A043	C 0.010UF, K, 10V	1	
	C3108	FIJ1A106A043	C 0.010UF, K, 10V	1	
	C3109	FIJ1A106A043	C 0.010UF, K, 10V	1	

Safety	Ref. No.	Part No.	Part Name & Description	Pcs	Remarks
	C3114	FIJ1A106A043	C 0.010UF, K, 10V	1	
	C3115	FIJ1A106A043	C 0.010UF, K, 10V	1	
	C3116	FIJ1A106A043	C 0.010UF, K, 10V	1	
	C3117	FIJ1A106A043	C 0.010UF, K, 10V	1	
	C3139	FIG1C104A116	C 0.10UF, K, 16V	1	
	C3140	FIG1C104A116	C 0.10UF, K, 16V	1	
	C3141	FIG1C104A116	C 0.10UF, K, 16V	1	
	C3142	F2H0J2210005	C 220UF, 6.3V	1	
	C3143	FIG1C104A116	C 0.10UF, K, 16V	1	
	C3144	FIJ1A106A043	C 0.010UF, K, 10V	1	
	C3145	FIG1C104A116	C 0.10UF, K, 16V	1	
	C3146	FIJ1A106A043	C 0.010UF, K, 10V	1	
	C3147	FIJ1A106A043	C 0.010UF, K, 10V	1	
	C3701	ECJ2XC1H561K	C 560PF, K, 50V	1	
	C3703	ECJ2XC1H561K	C 560PF, K, 50V	1	
	C3711	ECJ2VF1H333Z	C 0.033UF, Z, 50V	1	
	C3712	ECJ2VF1H333Z	C 0.033UF, Z, 50V	1	
	C3750	FIJ1H102A721	C 1000UF, 50V	1	
	C3801	FIG1C104A116	C 0.10UF, K, 16V	1	
	C3802	FIG1C104A116	C 0.10UF, K, 16V	1	
	C3803	FIH1A1050032	C 10UF, 50V	1	
	C3804	FIG1C104A116	C 0.10UF, K, 16V	1	
	C3806	FIG1C104A116	C 0.10UF, K, 16V	1	
	C3807	FIG1C104A116	C 0.10UF, K, 16V	1	
	C3808	FIG1C104A116	C 0.10UF, K, 16V	1	
	C3809	FIG1C104A116	C 0.10UF, K, 16V	1	
	C3810	FIG1C104A116	C 0.10UF, K, 16V	1	
	C3811	FIG1C104A116	C 0.10UF, K, 16V	1	
	C3812	FIG1C104A116	C 0.10UF, K, 16V	1	
	C3813	FIJ0J106A004	C 0.010UF, K, 16V	1	
	C3814	FIG1C104A116	C 0.10UF, K, 16V	1	
	C3815	ECJ0EB1C103K	C 0.010UF, K, 16V	1	
	C3816	ECJ0EB1C103K	C 0.010UF, K, 16V	1	
	C3817	ECJ0EB1C103K	C 0.010UF, K, 16V	1	
	C3818	ECJ0EB1C103K	C 0.010UF, K, 16V	1	
	C3819	ECJ0EB1C103K	C 0.010UF, K, 16V	1	
	C3820	ECJ0EB1C103K	C 0.010UF, K, 16V	1	
	C3823	FIG1C104A116	C 0.10UF, K, 16V	1	
	C3827	FIJ1A475A039	C 4.7UF, K, 10V	1	
	C3829	FIH1A1050032	C 10UF, 50V	1	
	C4255	FIG1C104A116	C 0.10UF, K, 16V	1	
	C4256	FIG1C104A116	C 0.10UF, K, 16V	1	
	C4257	FIG1C104A116	C 0.10UF, K, 16V	1	
	C4258	FIG1C104A116	C 0.10UF, K, 16V	1	
	C4259	FIG1C104A116	C 0.10UF, K, 16V	1	
	C4260	FIG1C104A116	C 0.10UF, K, 16V	1	
	C4261	FIG1C104A116	C 0.10UF, K, 16V	1	
	C4262	FIG1C104A116	C 0.10UF, K, 16V	1	
	C4263	FIG1C104A116	C 0.10UF, K, 16V	1	
	C4264	FIG1C104A116	C 0.10UF, K, 16V	1	
	C4265	FIG1C104A116	C 0.10UF, K, 16V	1	
	C4266	FIH0J1050012	C 1UF, K, 16V	1	
	C4267	FIG1H102A730	C 1000UF, 50V	1	
	C4268	FIG1H102A730	C 1000UF, 50V	1	
	C4270	FIG1C104A116	C 0.10UF, K, 16V	1	
	C4271	FIG1C104A116	C 0.10UF, K, 16V	1	
	C4272	FIG1C104A116	C 0.10UF, K, 16V	1	
	C4273	FIG1C104A116	C 0.10UF, K, 16V	1	
	C4274	FIG1C104A116	C 0.10UF, K, 16V	1	
	C4275	FIG1C104A116	C 0.10UF, K, 16V	1	

Safety	Ref. No.	Part No.	Part Name & Description	Pcs	Remarks
	C4276	F1G1C104A116	C 0.10UF, K, 16V	1	
	C4277	F1G1C104A116	C 0.10UF, K, 16V	1	
	C4278	F1G1C104A116	C 0.10UF, K, 16V	1	
	C4279	F1G1C104A116	C 0.10UF, K, 16V	1	
	C4280	F1G1C104A116	C 0.10UF, K, 16V	1	
	C4281	F1G1C104A116	C 0.10UF, K, 16V	1	
	C4282	F1G1C104A116	C 0.10UF, K, 16V	1	
	C4283	F1G1C104A116	C 0.10UF, K, 16V	1	
	C4284	F1G1C104A116	C 0.10UF, K, 16V	1	
	C4285	F1G1C104A116	C 0.10UF, K, 16V	1	
	C4286	F1G1C104A116	C 0.10UF, K, 16V	1	
	C4287	F1G1C104A116	C 0.10UF, K, 16V	1	
	C4288	F1G1C104A116	C 0.10UF, K, 16V	1	
	C4289	F1G1C104A116	C 0.10UF, K, 16V	1	
	C4290	F1G1H102A730	C 1000UF, 50V	1	
	C4291	F1G1C104A116	C 0.10UF, K, 16V	1	
	C4292	F1G1H102A730	C 1000UF, 50V	1	
	C4293	F1G1C104A116	C 0.10UF, K, 16V	1	
	C4294	F1G1H102A730	C 1000UF, 50V	1	
	C4295	F1G1C104A116	C 0.10UF, K, 16V	1	
	C4296	F1G1H102A730	C 1000UF, 50V	1	
	C4297	F1G1C104A116	C 0.10UF, K, 16V	1	
	C4298	F1G1H102A730	C 1000UF, 50V	1	
	C4299	F1G1C104A116	C 0.10UF, K, 16V	1	
	C4300	F2G0J470A019	E 47UF 6.3V	1	
	C4301	F1G1C104A116	C 0.10UF, K, 16V	1	
	C4302	F1J0J106A020	C 0.010UF, K, 16V	1	
	C4307	F1G1H220A731	C 22UF, 50V	1	
	C4313	F1J0J106A020	C 0.010UF, K, 16V	1	
	C4314	F1G1C104A116	C 0.10UF, K, 16V	1	
	C4315	F1G1C104A116	C 0.10UF, K, 16V	1	
	C4316	F1G1C104A116	C 0.10UF, K, 16V	1	
	C4317	F1J0J106A020	C 0.010UF, K, 16V	1	
	C4318	F1G1C104A116	C 0.10UF, K, 16V	1	
	C4319	F1G1C104A116	C 0.10UF, K, 16V	1	
	C4320	F1G1C104A116	C 0.10UF, K, 16V	1	
	C4321	F1G1C104A116	C 0.10UF, K, 16V	1	
	C4322	F1G1H150A731	C 15UF, 50V	1	
	C4323	F1G1C104A116	C 0.10UF, K, 16V	1	
	C4324	F1G1C104A116	C 0.10UF, K, 16V	1	
	C4325	F1J0J106A020	C 0.010UF, K, 16V	1	
	C4326	F1J0J106A020	C 0.010UF, K, 16V	1	
	C4328	F1G1C104A116	C 0.10UF, K, 16V	1	
	C4329	F1G1C104A116	C 0.10UF, K, 16V	1	
	C4500	F1G1C104A116	C 0.10UF, K, 16V	1	
	C4501	F1G1C104A116	C 0.10UF, K, 16V	1	
	C4502	F1G1C104A116	C 0.10UF, K, 16V	1	
	C4503	F1G1C104A116	C 0.10UF, K, 16V	1	
	C4510	F1G1C104A116	C 0.10UF, K, 16V	1	
	C4511	F1G1C104A116	C 0.10UF, K, 16V	1	
	C4533	F1G1H680A731	C 68UF, 50V	1	
	C4534	F1G1C104A116	C 0.10UF, K, 16V	1	
	C4535	F1G1C104A116	C 0.10UF, K, 16V	1	
	C4537	F1G1C104A116	C 0.10UF, K, 16V	1	
	C4547	F1G1C104A116	C 0.10UF, K, 16V	1	
	C4548	F1G1C104A116	C 0.10UF, K, 16V	1	
	C4549	F1G1C104A116	C 0.10UF, K, 16V	1	
	C4550	F1G1C104A116	C 0.10UF, K, 16V	1	
	C4551	F1G1C104A116	C 0.10UF, K, 16V	1	
	C4552	F1G1C104A116	C 0.10UF, K, 16V	1	
	C4553	F1G1H102A730	C 1000UF, 50V	1	
	C4554	F2G1C470A022	E 47UF, 16V	1	
	C4555	F1J1A106A043	C 0.010UF, K, 10V	1	
	C4567	F1G1C104A116	C 0.10UF, K, 16V	1	
	C4574	F1G1E103A123	C 0.010UF, K, 16V	1	
	C4575	F1H1A1050032	C 10UF, 50V	1	
	C4580	F1G1E103A123	C 0.010UF, K, 16V	1	

Safety	Ref. No.	Part No.	Part Name & Description	Pcs	Remarks
	C4585	F1H1A1050032	C 10UF, 50V	1	
	C4595	F1G1E103A123	C 0.010UF, K, 16V	1	
	C4596	F1G1C104A116	C 0.10UF, K, 16V	1	
	C4598	F1H1A1050032	C 10UF, 50V	1	
	C4599	F2G0J470A019	E 47UF 6.3V	1	
	C4600	F1G1C104A116	C 0.10UF, K, 16V	1	
	C4601	F2G0J470A019	E 47UF 6.3V	1	
	C4602	F1G1C104A116	C 0.10UF, K, 16V	1	
	C4603	F1H0J2250008	C 2.2UF, K, 16V	1	
	C4604	F1G1H471A730	C 470UF, 50V	1	
	C4605	F1H1A1050032	C 10UF, 50V	1	
	C4606	F1J1A475A039	C 4.7UF, K, 10V	1	
	C4607	F1J1A475A039	C 4.7UF, K, 10V	1	
	C4608	F1G1C104A116	C 0.10UF, K, 16V	1	
	C4612	F1G1E103A123	C 0.010UF, K, 16V	1	
	C4613	F1H1A1050032	C 10UF, 50V	1	
	C4614	F1G1C104A116	C 0.10UF, K, 16V	1	
	C4616	F1J1A475A039	C 4.7UF, K, 10V	1	
	C4617	F1J0G2260001	C 0.001UF, 6.3V	1	
	C4619	F1G1C104A116	C 0.10UF, K, 16V	1	
	C4624	F1G1C104A116	C 0.10UF, K, 16V	1	
	C4625	F1G1C104A116	C 0.10UF, K, 16V	1	
	C4628	F1G1C104A116	C 0.10UF, K, 16V	1	
	C4630	F1G1C104A116	C 0.10UF, K, 16V	1	
	C4632	F1H1A1050032	C 10UF, 50V	1	
	C4634	F1H1A1050032	C 10UF, 50V	1	
	C4636	F1H1A1050032	C 10UF, 50V	1	
	C4638	F1H1A1050032	C 10UF, 50V	1	
	C4640	F1H1A1050032	C 10UF, 50V	1	
	C4642	F1H1A1050032	C 10UF, 50V	1	
	C4643	F1G1C104A116	C 0.10UF, K, 16V	1	
	C4644	F1G1C104A116	C 0.10UF, K, 16V	1	
	C4645	F1G1C104A116	C 0.10UF, K, 16V	1	
	C4646	F1G1C104A116	C 0.10UF, K, 16V	1	
	C4807	F1G1C104A116	C 0.10UF, K, 16V	1	
	C4832	F1G1C104A116	C 0.10UF, K, 16V	1	
	C5400	F1J1A106A043	C 0.010UF, K, 10V	1	
	C5401	F1H1E104A129	C 0.1UF, 25V	1	
	C5402	F1G1E103A123	C 0.010UF, K, 16V	1	
	C5404	F1H1H472A970	C 4700PF, K, 50V	1	
	C5405	F1H1E104A129	C 0.1UF, 25V	1	
	C5406	ECJ3YB1E106M	C 10 UF, K, 25V	1	
	C5408	F1J1A106A043	C 0.010UF, K, 10V	1	
	C5412	F1K1C1060004	C 0.010UF, 16V	1	
	C5413	F1H1E104A129	C 0.1UF, 25V	1	
	C5414	F1G1E103A123	C 0.010UF, K, 16V	1	
	C5416	F1H1H472A970	C 4700PF, K, 50V	1	
	C5417	F1H1E104A129	C 0.1UF, 25V	1	
	C5418	ECJ3YB1E106M	C 10 UF, K, 25V	1	
	C5420	F1K1C1060004	C 0.010UF, 16V	1	
	C5432	ECJ3YB1E106M	C 10 UF, K, 25V	1	
	C5433	F1J1A106A043	C 0.010UF, K, 10V	1	
	C5434	F1J1A106A043	C 0.010UF, K, 10V	1	
	C5435	F1G1E103A123	C 0.010UF, K, 16V	1	
	C5436	F1H1E104A129	C 0.1UF, 25V	1	
	C5441	F1H1E104A129	C 0.1UF, 25V	1	
	C5442	F1H1H392A970	C 3900PF, K, 50V	1	
	C5452	ECJ3YB1E106M	C 10 UF, K, 25V	1	
	C5453	F1J1A106A043	C 0.010UF, K, 10V	1	
	C5454	F1J1A106A043	C 0.010UF, K, 10V	1	
	C5455	F1G1E103A123	C 0.010UF, K, 16V	1	
	C5456	F1H1E104A129	C 0.1UF, 25V	1	
	C5461	F1H1E104A129	C 0.1UF, 25V	1	

Safety	Ref. No.	Part No.	Part Name & Description	Pcs	Remarks
	C5462	FIH1H392A970	C 3900PF, K, 50V	1	
	C5463	FIG1C104A116	C 0.10UF, K, 16V	1	
	C5464	FIJ1A106A043	C 0.010UF, K, 10V	1	
	C5465	FIJ1A106A043	C 0.010UF, K, 10V	1	
	C5466	FIJ1A106A043	C 0.010UF, K, 10V	1	
	C5467	FIG1C104A116	C 0.10UF, K, 16V	1	
	C5468	F2G0G101A007	E 100UF 6.3V	1	
	C5469	F2G0G101A007	E 100UF 6.3V	1	
	C5470	FIJ0J106A020	C 0.010UF, K, 16V	1	
	C5471	FIJ0J106A020	C 0.010UF, K, 16V	1	
	C5472	FIG1C104A116	C 0.10UF, K, 16V	1	
	C5473	EEH0J221UP	C 220PF, J, 6.3V	1	
	C5474	F2H1E221A007	E 220UF, 25V	1	
	C5475	F2H1E221A007	E 220UF, 25V	1	
	C5476	EEH0B1E101P	C 100PF, J, 25V	1	
	C5477	F2H1E221A007	E 220UF, 25V	1	
	C5485	FIG1H101A731	C 100PF, K, 50V	1	
	C5521	FIG1C104A116	C 0.10UF, K, 16V	1	
	C5522	FIG1C104A116	C 0.10UF, K, 16V	1	
	C5531	FIH1A1050032	C 10UF, 50V	1	
	C5533	FIJ1A106A043	C 0.010UF, K, 10V	1	
	C5541	FIH1E104A129	C 0.1UF, 25V	1	
	C5542	FIH1A1050032	C 10UF, 50V	1	
	C5543	FIG1H471A731	C 470UF, 50V	1	
	C5544	FIJ0J106A020	C 0.010UF, K, 16V	1	
	C5545	FIG1A104A012	C 0.01UF, K, 10V	1	
	C5546	F2G0G101A007	E 100UF 6.3V	1	
	C5595	F2G1C2200036	E 22UF, 16V	1	
	C5596	FIG1H102A730	C 1000UF, 50V	1	
	C5597	FIG1H102A730	C 1000UF, 50V	1	
	C5600	FIH1A1050032	C 10UF, 50V	1	
	C5601	FIG1C104A116	C 0.10UF, K, 16V	1	
	C5602	ECGR10G680ER	C 68PF, J, 4V	1	
	C5603	FIG1E103A123	C 0.010UF, K, 16V	1	
	C5604	FIG1E103A123	C 0.010UF, K, 16V	1	
	C5605	FIJ1A475A039	C 4.7UF, K, 10V	1	
	C5606	FIG1H471A730	C 470UF, 50V	1	
	C5607	FIG1H221A731	C 220UF, 50V	1	
	C5608	FIG1C104A116	C 0.10UF, K, 16V	1	
	C5611	ECJ3YB1E106M	C 10 UF, K, 25V	1	
	C5612	ECJ3YB1E106M	C 10 UF, K, 25V	1	
	C5615	ECJ3YB1E106M	C 10 UF, K, 25V	1	
	C5616	FIG1A473A053	C 0.47UF, 10V	1	
	C5617	FIH1A1050032	C 10UF, 50V	1	
	C5620	FIH1E104A129	C 0.1UF, 25V	1	
	C5621	FIG1E103A123	C 0.010UF, K, 16V	1	
	C5622	FIJ1A475A039	C 4.7UF, K, 10V	1	
	C5623	FIG1H471A730	C 470UF, 50V	1	
	C5624	FIG1H221A731	C 220UF, 50V	1	
	C5625	FIG1E103A123	C 0.010UF, K, 16V	1	
	C5626	FIG1C104A116	C 0.10UF, K, 16V	1	
	C5627	FIG1C104A116	C 0.10UF, K, 16V	1	
	C5628	ECGR10G680ER	C 68PF, J, 4V	1	
	C5629	ECGR10G680ER	C 68PF, J, 4V	1	
	C5636	FIG1C104A116	C 0.10UF, K, 16V	1	
	C5637	FIG1C104A116	C 0.10UF, K, 16V	1	
	C5638	FIG1C104A116	C 0.10UF, K, 16V	1	
	C5639	FIG1C104A116	C 0.10UF, K, 16V	1	
	C5640	FIG1C104A116	C 0.10UF, K, 16V	1	
	C5641	FIG1C104A116	C 0.10UF, K, 16V	1	
	C5642	ECJ3YB1E106M	C 10 UF, K, 25V	1	
	C5643	FIH1E104A129	C 0.1UF, 25V	1	
	C5657	FIH1A225A051	C 22UF, 50V	1	

Safety	Ref. No.	Part No.	Part Name & Description	Pcs	Remarks
	C5658	FIG1E103A123	C 0.010UF, K, 16V	1	
	C5661	FIG1E103A123	C 0.010UF, K, 16V	1	
	C5662	FIG1A473A053	C 0.47UF, 10V	1	
	C5663	FIG1E103A123	C 0.010UF, K, 16V	1	
	C5691	F2G0J470A019	E 47UF 6.3V	1	
	C5695	F2G0J470A019	E 47UF 6.3V	1	
	C5696	EEH0B1E470P	C 47PF, J, 25V	1	
	C5697	FIJ1E105A171	C 1 UF 25V	1	
	C5699	ECJ3YB1E106M	C 10 UF, K, 25V	1	
	C5700	ECJ3YB1E106M	C 10 UF, K, 25V	1	
	C5703	FIG1H101A565	C 100PF, K, 50V	1	
	C5704	FIG1H101A565	C 100PF, K, 50V	1	
	C5730	FIG1E103A123	C 0.010UF, K, 16V	1	
	C5731	F2G0J470A019	E 47UF 6.3V	1	
	C7701	FIH1H330A971	C 33UF, 50V	1	
	C7702	F2A1C470A263	E 47UF, 16V	1	PAVCCZ
	C7703	FIH1H330A971	C 33UF, 50V	1	
	C7705	FIH1C104A144	C 0.1UF, K, 16V	1	
	C7708	FIH1C104A144	C 0.1UF, K, 16V	1	
	C7709	FIH1C104A144	C 0.1UF, K, 16V	1	
	C7726	FIH1H330A971	C 33UF, 50V	1	
	C7727	FIH1H330A971	C 33UF, 50V	1	
	C7729	FIJ0J106A020	C 0.010UF, K, 16V	1	
	C7730	FIJ0J106A020	C 0.010UF, K, 16V	1	
	C8003	FIH0J1050012	C 1UF, K, 16V	1	
	C8004	FIH0J1050012	C 1UF, K, 16V	1	
	C8006	FIG1C104A116	C 0.10UF, K, 16V	1	
	C8007	FIG1C104A116	C 0.10UF, K, 16V	1	
	C8008	FIG1C104A116	C 0.10UF, K, 16V	1	
	C8009	FIJ1A106A043	C 0.010UF, K, 10V	1	
	C8010	FIJ1A106A043	C 0.010UF, K, 10V	1	
	C8011	FIG1C104A116	C 0.10UF, K, 16V	1	
	C8012	FIG1C104A116	C 0.10UF, K, 16V	1	
	C8013	FIG1C104A116	C 0.10UF, K, 16V	1	
	C8014	FIG1C104A116	C 0.10UF, K, 16V	1	
	C8015	FIH0J1050012	C 1UF, K, 16V	1	
	C8016	FIH0J1050012	C 1UF, K, 16V	1	
	C8017	FIJ1A106A043	C 0.010UF, K, 10V	1	
	C8018	FIG1C104A116	C 0.10UF, K, 16V	1	
	C8019	FIG1C104A116	C 0.10UF, K, 16V	1	
	C8020	FIG1C104A116	C 0.10UF, K, 16V	1	
	C8021	FIG1C104A116	C 0.10UF, K, 16V	1	
	C8022	FIH0J1050012	C 1UF, K, 16V	1	
	C8023	FIJ1A106A043	C 0.010UF, K, 10V	1	
	C8024	FIJ1A106A043	C 0.010UF, K, 10V	1	
	C8025	FIG1C104A116	C 0.10UF, K, 16V	1	
	C8026	FIG1C104A116	C 0.10UF, K, 16V	1	
	C8027	FIG1C104A116	C 0.10UF, K, 16V	1	
	C8028	FIG1C104A116	C 0.10UF, K, 16V	1	
	C8029	FIG1C104A116	C 0.10UF, K, 16V	1	
	C8030	FIH0J1050012	C 1UF, K, 16V	1	
	C8031	FIH0J1050012	C 1UF, K, 16V	1	
	C8032	FIJ1A106A043	C 0.010UF, K, 10V	1	
	C8033	FIG1C104A116	C 0.10UF, K, 16V	1	
	C8034	FIG1C104A116	C 0.10UF, K, 16V	1	
	C8035	FIJ1A106A043	C 0.010UF, K, 10V	1	
	C8036	FIJ1A106A043	C 0.010UF, K, 10V	1	
	C8037	FIG1C104A116	C 0.10UF, K, 16V	1	
	C8038	FIG1C104A116	C 0.10UF, K, 16V	1	
	C8039	FIG1C104A116	C 0.10UF, K, 16V	1	
	C8040	FIG1C104A116	C 0.10UF, K, 16V	1	
	C8041	FIG1C104A116	C 0.10UF, K, 16V	1	

Safety	Ref. No.	Part No.	Part Name & Description	Pcs	Remarks
	C8042	ECGRLOG680ER	C 68PF, J, 4V	1	
	C8043	F1G1C104A116	C 0.10UF, K, 16V	1	
	C8044	F1G1C104A116	C 0.10UF, K, 16V	1	
	C8045	F1G1C104A116	C 0.10UF, K, 16V	1	
	C8046	F1G1C104A116	C 0.10UF, K, 16V	1	
	C8047	F1G1C104A116	C 0.10UF, K, 16V	1	
	C8048	F1G1C104A116	C 0.10UF, K, 16V	1	
	C8049	F1G1C104A116	C 0.10UF, K, 16V	1	
	C8050	F1G1C104A116	C 0.10UF, K, 16V	1	
	C8051	F1G1C104A116	C 0.10UF, K, 16V	1	
	C8052	F1H0J1050012	C 1UF, K, 16V	1	
	C8053	F1G1E103A123	C 0.010UF, K, 16V	1	
	C8054	F1G1H180A731	C 18UF, 50V	1	
	C8055	F1G1H7R0A732	C 7.0UF, 50V	1	
	C8056	F1G1C104A116	C 0.10UF, K, 16V	1	
	C8057	F1G1C104A116	C 0.10UF, K, 16V	1	
	C8058	F1J1A106A043	C 0.010UF, K, 10V	1	
	C8070	F1G1C104A116	C 0.10UF, K, 16V	1	
	C8071	F1G1C104A116	C 0.10UF, K, 16V	1	
	C8072	F1G1C104A116	C 0.10UF, K, 16V	1	
	C8073	F1G1C104A116	C 0.10UF, K, 16V	1	
	C8074	F1G1C104A116	C 0.10UF, K, 16V	1	
	C8075	F1J0G2260001	C 0.001UF, 6.3V	1	
	C8076	F1G1C104A116	C 0.10UF, K, 16V	1	
	C8077	F1G1C104A116	C 0.10UF, K, 16V	1	
	C8078	F1G1C104A116	C 0.10UF, K, 16V	1	
	C8079	F1G1C104A116	C 0.10UF, K, 16V	1	
	C8080	F1G1C104A116	C 0.10UF, K, 16V	1	
	C8230	F1G1C104A116	C 0.10UF, K, 16V	1	
	C8231	F1G1C104A116	C 0.10UF, K, 16V	1	
	C8232	F1G1C104A116	C 0.10UF, K, 16V	1	
	C8233	F1G1C104A116	C 0.10UF, K, 16V	1	
	C8234	F1G1C104A116	C 0.10UF, K, 16V	1	
	C8235	F1G1C104A116	C 0.10UF, K, 16V	1	
	C8236	F1G1C104A116	C 0.10UF, K, 16V	1	
	C8237	F1G1C104A116	C 0.10UF, K, 16V	1	
	C8238	F1G1C104A116	C 0.10UF, K, 16V	1	
	C8239	F1G1C104A116	C 0.10UF, K, 16V	1	
	C8240	F1G1C104A116	C 0.10UF, K, 16V	1	
	C8241	F1G1C104A116	C 0.10UF, K, 16V	1	
	C8242	F1G1C104A116	C 0.10UF, K, 16V	1	
	C8243	F1G1C104A116	C 0.10UF, K, 16V	1	
	C8244	F1G1C104A116	C 0.10UF, K, 16V	1	
	C8245	F1G1C104A116	C 0.10UF, K, 16V	1	
	C8246	F1G1C104A116	C 0.10UF, K, 16V	1	
	C8247	F1G1C104A116	C 0.10UF, K, 16V	1	
	C8248	F1G1C104A116	C 0.10UF, K, 16V	1	
	C8306	F1G1H102A730	C 1000UF, 50V	1	
	C8307	F1G1C104A116	C 0.10UF, K, 16V	1	
	C8309	F1G1C104A116	C 0.10UF, K, 16V	1	
	C8310	F2G0G101A007	E 100UF 6.3V	1	
	C8311	F1G1H180A731	C 18UF, 50V	1	
	C8312	F1G1H150A565	C 15UF, 50V	1	
	C8313	F1G1E103A123	C 0.010UF, K, 16V	1	
	C8314	F1G1E103A123	C 0.010UF, K, 16V	1	
	C8315	F1G1H270A731	C 27UF, 50V	1	
	C8319	F1G1E103A123	C 0.010UF, K, 16V	1	
	C8320	F1G1E103A123	C 0.010UF, K, 16V	1	
	C8321	F1G1E103A123	C 0.010UF, K, 16V	1	
	C8327	F1H1A1050032	C 10UF, 50V	1	
	C8328	F1H1A1050032	C 10UF, 50V	1	
	C8329	F1G1E103A123	C 0.010UF, K, 16V	1	
	C8330	F1G1E103A123	C 0.010UF, K, 16V	1	
	C8331	F1G1E103A123	C 0.010UF, K, 16V	1	

Safety	Ref. No.	Part No.	Part Name & Description	Pcs	Remarks
	C8332	F1G1E103A123	C 0.010UF, K, 16V	1	
	C8333	F1G1E103A123	C 0.010UF, K, 16V	1	
	C8334	F1G1E103A123	C 0.010UF, K, 16V	1	
	C8335	F1G1E103A123	C 0.010UF, K, 16V	1	
	C8336	F1G1E103A123	C 0.010UF, K, 16V	1	
	C8338	F1G1H220A731	C 22UF, 50V	1	
	C8339	F1G1H220A731	C 22UF, 50V	1	
	C8340	F1G1E103A123	C 0.010UF, K, 16V	1	
	C8343	F1G1C104A116	C 0.10UF, K, 16V	1	
	C8344	F1G1C104A116	C 0.10UF, K, 16V	1	
	C8345	F1G1C104A116	C 0.10UF, K, 16V	1	
	C8346	F1G1C104A116	C 0.10UF, K, 16V	1	
	C8405	F1G1C104A116	C 0.10UF, K, 16V	1	
	C8408	F1G1C104A116	C 0.10UF, K, 16V	1	
	C8409	F1G1C104A116	C 0.10UF, K, 16V	1	
	C8410	F1G1C104A116	C 0.10UF, K, 16V	1	
	C8411	F2G1A101A019	E 100UF, 10V	1	
	C8412	F1G1C104A116	C 0.10UF, K, 16V	1	
	C8413	F1G1C104A116	C 0.10UF, K, 16V	1	
	C8414	F1G1C104A116	C 0.10UF, K, 16V	1	
	C8416	F1G1E103A123	C 0.010UF, K, 16V	1	
	C8417	F1G1E103A123	C 0.010UF, K, 16V	1	
	C8555	F1G1C104A116	C 0.10UF, K, 16V	1	
	C8601	F1G1C104A116	C 0.10UF, K, 16V	1	
	C9033	F1G1C104A119	C 0.10UF, K, 16V	1	
	C9034	F1G1C104A119	C 0.10UF, K, 16V	1	
	C9035	F1J1A106A043	C 0.010UF, K, 10V	1	
	C9036	F1J1A106A043	C 0.010UF, K, 10V	1	
	C9037	F1G1E103A123	C 0.010UF, K, 16V	1	
	C9055	F1G1C104A119	C 0.10UF, K, 16V	1	
	C9056	F1G1C104A119	C 0.10UF, K, 16V	1	
	C9057	F1G1C104A119	C 0.10UF, K, 16V	1	
	C9058	F1J1A106A043	C 0.010UF, K, 10V	1	
	C9067	F1G1E103A123	C 0.010UF, K, 16V	1	
	C9068	F1G1E103A123	C 0.010UF, K, 16V	1	
	C9069	F1G1E103A123	C 0.010UF, K, 16V	1	
	C9096	F1G1C104A116	C 0.10UF, K, 16V	1	
	C9097	F1G1C104A116	C 0.10UF, K, 16V	1	
	C9098	F1G1C104A116	C 0.10UF, K, 16V	1	
	C9099	F1G1C104A116	C 0.10UF, K, 16V	1	
	C9100	F1G1C104A116	C 0.10UF, K, 16V	1	
	C9101	F1G1C104A116	C 0.10UF, K, 16V	1	
	C9102	F1G1C104A116	C 0.10UF, K, 16V	1	
	C9103	F1G1C104A116	C 0.10UF, K, 16V	1	
	C9104	F1G1C104A116	C 0.10UF, K, 16V	1	
	C9105	F1G1C104A116	C 0.10UF, K, 16V	1	
	C9106	F1G1C104A116	C 0.10UF, K, 16V	1	
	C9107	F1G1C104A116	C 0.10UF, K, 16V	1	
	C9108	F1G1C104A116	C 0.10UF, K, 16V	1	
	C9109	F1G1C104A116	C 0.10UF, K, 16V	1	
	C9110	F1G1C104A116	C 0.10UF, K, 16V	1	
	C9111	F1G1C104A116	C 0.10UF, K, 16V	1	
	C9112	F1G1C104A116	C 0.10UF, K, 16V	1	
	C9113	F1G1C104A116	C 0.10UF, K, 16V	1	
	C9114	F1G1C104A116	C 0.10UF, K, 16V	1	
	C9115	F1G1C104A116	C 0.10UF, K, 16V	1	
	C9116	F1G1C104A116	C 0.10UF, K, 16V	1	
	C9117	F1G1C104A116	C 0.10UF, K, 16V	1	
	C9119	F1G1C104A116	C 0.10UF, K, 16V	1	
	C9120	F1G1C104A116	C 0.10UF, K, 16V	1	
	C9121	F1G1C104A116	C 0.10UF, K, 16V	1	

Safety	Ref. No.	Part No.	Part Name & Description	Pcs	Remarks
	C9832	F1J1A106A043	C 0.010UF, K, 10V	1	
	C9837	F1J1A106A043	C 0.010UF, K, 10V	1	
	C9840	F1G1E103A123	C 0.010UF, K, 16V	1	
	C9841	F1G1C104A119	C 0.10UF, K, 16V	1	
	C9842	F1G1C104A119	C 0.10UF, K, 16V	1	
	C9844	F1G1E103A123	C 0.010UF, K, 16V	1	
	C9845	F1G1C104A119	C 0.10UF, K, 16V	1	
	C9846	F1G1C104A119	C 0.10UF, K, 16V	1	
	C9858	ECJ3YB1E106M	C 10 UF, K, 25V	1	
	C9859	F1G1E103A123	C 0.010UF, K, 16V	1	
	C9860	F1J0J475A035	C 4.7UF, K, 16V	1	
	C9861	F1H1E104A129	C 0.1UF, 25V	1	
	C9862	F1H1E104A129	C 0.1UF, 25V	1	
	C9863	F1J0J475A035	C 4.7UF, K, 16V	1	
	C9864	F1H1E104A129	C 0.1UF, 25V	1	
	C9865	ECGRLOG680ER	C 68PF, J, 4V	1	
	C9866	ECGRLOG680ER	C 68PF, J, 4V	1	
	C9867	ECJ3YB1E106M	C 10 UF, K, 25V	1	
	C9868	ECJ3YB1E106M	C 10 UF, K, 25V	1	
	C9869	ECJ3YB1E106M	C 10 UF, K, 25V	1	
	C9870	ECJ3YB1E106M	C 10 UF, K, 25V	1	
	C9871	ECJ3YB1E106M	C 10 UF, K, 25V	1	
	C9872	ECJ3YB1E106M	C 10 UF, K, 25V	1	
	C9873	ECGRLOG680ER	C 68PF, J, 4V	1	
	C9874	F1G1H680A731	C 68UF, 50V	1	
	C9877	F1G1H680A731	C 68UF, 50V	1	
	C9878	F1G1E103A123	C 0.010UF, K, 16V	1	
	C9879	F1G1C153A116	C 0.015UF, K, 16V	1	
	C9880	F1G1A563A032	C 0.56UF, 10V	1	
	C9881	F1G1E103A123	C 0.010UF, K, 16V	1	
	C9882	F1G1C822A116	C 8200UF, K, 16V	1	
	C9883	F1G1H101A731	C 100PF, K, 50V	1	
	C9884	F1G1H102A730	C 1000UF, 50V	1	
	C9885	F1G1H102A730	C 1000UF, 50V	1	
	C9886	F1H1E104A129	C 0.1UF, 25V	1	
	C9887	F1H1E104A129	C 0.1UF, 25V	1	
	C9888	F1G1H361A731	C 360UF, 50V	1	
	C9927	F1G1C104A116	C 0.10UF, K, 16V	1	
	C9928	F1G1C104A116	C 0.10UF, K, 16V	1	
	C9929	F1G1C104A116	C 0.10UF, K, 16V	1	
	C9930	F1G1C104A116	C 0.10UF, K, 16V	1	
	C9931	F1G1C104A116	C 0.10UF, K, 16V	1	
	C9932	F1G1C104A116	C 0.10UF, K, 16V	1	
	C9933	F1G1C104A116	C 0.10UF, K, 16V	1	
	C9934	F1G1C104A116	C 0.10UF, K, 16V	1	
	C9935	F1G1C104A116	C 0.10UF, K, 16V	1	
	C9936	F1G1C104A116	C 0.10UF, K, 16V	1	
	C9937	F1G1C104A116	C 0.10UF, K, 16V	1	
	C9938	F1G1C104A116	C 0.10UF, K, 16V	1	
	C9939	F1G1C104A116	C 0.10UF, K, 16V	1	
	C9940	F1G1C104A116	C 0.10UF, K, 16V	1	
	C9941	F1G1C104A116	C 0.10UF, K, 16V	1	
	C9942	F1G1C104A116	C 0.10UF, K, 16V	1	
	C9943	F1G1C104A116	C 0.10UF, K, 16V	1	
	C9944	F1G1C104A116	C 0.10UF, K, 16V	1	
	C9945	F1G1C104A116	C 0.10UF, K, 16V	1	
	C9946	F1G1C104A116	C 0.10UF, K, 16V	1	
	C9947	F1G1C104A116	C 0.10UF, K, 16V	1	
	C9948	F1G1C104A116	C 0.10UF, K, 16V	1	
	C9951	F1G1C104A116	C 0.10UF, K, 16V	1	
	C9961	F1J1A106A043	C 0.010UF, K, 10V	1	
	C9966	F1G1C104A116	C 0.10UF, K, 16V	1	
	C9971	F1G1H180A731	C 18UF, 50V	1	
	C9972	F1G1H150A731	C 15UF, 50V	1	
	D3	K1KA14B00129	14P CONNECTOR	1	

Safety	Ref. No.	Part No.	Part Name & Description	Pcs	Remarks
	D5	K1KB31BA0064	31P CONNECTOR	1	
	D6	K1KA20AA0009	20P CONNECTOR	1	
	D20	K1MN35BA0266	35P CONNECTOR	1	
	D25	K1KA13B00069	13P CONNECTOR	1	
	D31	K1MN68BA0266	68P CONNECTOR	1	
	D32	K1MN68BA0266	68P CONNECTOR	1	
	D33	K1MN68BA0266	68P CONNECTOR	1	
	D853	MA2J11100L	DIODE	1	
	D854	MA2J11100L	DIODE	1	
	D855	MA2J11100L	DIODE	1	
	D856	MA2J11100L	DIODE	1	
	D859	B0JCM000037	DIODE	1	
	D860	MAZ81100ML	ZENER DIODE	1	
	D861	MA2J11100L	DIODE	1	
	D862	MAZ80330LL	ZENER DIODE	1	
	D1000	MA3X704A0L	ZENER DIODE	1	
	D1001	MA3X704A0L	ZENER DIODE	1	
	D1107	MA3X704A0L	ZENER DIODE	1	
	D1112	MA2J72800L	ZENER DIODE	1	
	D2004	MA2J11100L	DIODE	1	
	D2005	MA2J11100L	DIODE	1	
	D2006	MA2J11100L	DIODE	1	
	D2007	MA2J11100L	DIODE	1	
	D2009	MA2J11100L	DIODE	1	
	D2010	MA2J11100L	DIODE	1	
	D2013	MA2J11100L	DIODE	1	
	D2014	MA2J11100L	DIODE	1	
	D2017	MA2J11100L	DIODE	1	
	D2020	MA3X78900L	ZENER DIODE	1	
	D2024	B0BC03900015	ZENER DIODE	1	
	D2027	MA2J11100L	DIODE	1	
	D2201	MA3X704A0L	ZENER DIODE	1	
	D2300	MA2J11100L	DIODE	1	
	D2301	B0HCMM000014	DIODE	1	
	D2302	B0HCMM000014	DIODE	1	
	D2501	MAZ80560ML	ZENER DIODE	1	
	D2502	MAZ80560ML	ZENER DIODE	1	
	D2503	LN1471YTR	LED	1	
	D2504	LNJ107W5PRW	LED	1	
	D2505	MAZ80560ML	ZENER DIODE	1	
	D3013	MAZ81400ML	ZENER DIODE	1	
	D3014	MAZ81400ML	ZENER DIODE	1	
	D3015	K7AAAY000003	PHOTO LINK	1	
	D3702	MAZ81400ML	ZENER DIODE	1	
	D3703	MAZ81400ML	ZENER DIODE	1	
	D3704	MAZ81400ML	ZENER DIODE	1	
	D3705	MAZ81400ML	ZENER DIODE	1	
	D3706	MAZ81400ML	ZENER DIODE	1	
	D3801	EZAEG2A50AX	DIODE	1	
	D3802	EZAEG2A50AX	DIODE	1	
	D3803	EZAEG2A50AX	DIODE	1	
	D3804	EZAEG2A50AX	DIODE	1	
	D3805	EZAEG2A50AX	DIODE	1	
	D3806	EZAEG2A50AX	DIODE	1	
	D3807	EZJZ0V80008B	VARISTOR	1	
	D3808	EZJZ0V80008B	VARISTOR	1	
	D3809	EZAEG2A50AX	DIODE	1	
	D3810	EZAEG2A50AX	DIODE	1	
	D3811	EZJZ0V80008B	VARISTOR	1	
	D3813	B0HCMM000014	DIODE	1	
	D3814	B0HCMM000014	DIODE	1	
	D3815	EZJZ0V120JA	VARISTOR	1	
	D4502	EZAEG2A50AX	DIODE	1	
	D4503	EZAEG2A50AX	DIODE	1	
	D4504	EZAEG2A50AX	DIODE	1	
	D4505	EZAEG2A50AX	DIODE	1	
	D4506	EZAEG2A50AX	DIODE	1	
	D4507	EZAEG2A50AX	DIODE	1	
	D4508	EZAEG2A50AX	DIODE	1	
	D4509	EZAEG2A50AX	DIODE	1	
	D4510	EZAEG2A50AX	DIODE	1	
	D4511	EZAEG2A50AX	DIODE	1	
	D4512	EZAEG2A50AX	DIODE	1	

Safety	Ref. No.	Part No.	Part Name & Description	Pcs	Remarks
	D4513	B0BC5R6A0275	DIODE	1	
	D4514	EZAEG2A50AX	DIODE	1	
	D4515	B0BC5R6A0275	DIODE	1	
	D4516	EZAEG2A50AX	DIODE	1	
	D4517	EZAEG2A50AX	DIODE	1	
	D4518	EZAEG2A50AX	DIODE	1	
	D4519	EZAEG2A50AX	DIODE	1	
	D4520	EZAEG2A50AX	DIODE	1	
	D4521	EZAEG2A50AX	DIODE	1	
	D4522	EZAEG2A50AX	DIODE	1	
	D4523	EZAEG2A50AX	DIODE	1	
	D4541	MA2J11100L	DIODE	1	
	D4542	MA2J11100L	DIODE	1	
	D4551	MA2J11100L	DIODE	1	
	D4552	MA2J11100L	DIODE	1	
	D4576	B0HCMM000014	DIODE	1	
	D5400	B0JCME000037	DIODE	1	
	D5401	B0BC4R700007	ZENER DIODE	1	
	D5402	B0BC4R700007	ZENER DIODE	1	
	D5403	B0JCME000037	DIODE	1	
	D5404	B0BC4R700007	ZENER DIODE	1	
	D5405	B0BC4R700007	ZENER DIODE	1	
	D5406	B0JCME000037	DIODE	1	
	D5407	B0BC4R700007	ZENER DIODE	1	
	D5408	B0BC4R700007	ZENER DIODE	1	
	D5409	B0JCME000037	DIODE	1	
	D5410	B0BC4R700007	ZENER DIODE	1	
	D5411	B0BC4R700007	ZENER DIODE	1	
	D5521	B0ADEJ000035	ZENER DIODE	1	
	D5522	B0ADEJ000035	ZENER DIODE	1	
	D5571	B0BC6R600005	ZENER DIODE	1	
	D5572	B0BC4R000002	ZENER DIODE	1	
	D5573	B0BC01100001	ZENER DIODE	1	
	D5574	B0BC4R000002	ZENER DIODE	1	
	D5600	B0BC4R000002	ZENER DIODE	1	
	D5601	MA22D3900L	DIODE	1	
	D5602	MA22D3900L	DIODE	1	
	D5603	B0JCDD000002	DIODE	1	
	D5604	B0JCDD000002	DIODE	1	
	D5605	MA22D3900L	DIODE	1	
	D5606	B0JCDD000002	DIODE	1	
	D5607	B0BC4R000002	ZENER DIODE	1	
	D5608	B0BC4R000002	ZENER DIODE	1	
	D5612	MAZ80560LL	ZENER DIODE	1	
	D5691	B0BC6R600005	ZENER DIODE	1	
	D9024	B0JCCE000008	DIODE	1	
	D9025	B0JCCE000008	DIODE	1	
	D9026	B0JCCE000008	DIODE	1	
	D9027	B0BC3R3A0273	ZENER DIODE	1	
	D9028	B0BC3R3A0273	ZENER DIODE	1	
	D9029	B0BC3R3A0273	ZENER DIODE	1	
	D9110	B0JCGD000002	DIODE	1	
	D9807	B0JCCE000008	DIODE	1	
	D9808	B0JCCE000008	DIODE	1	
	D9812	MA22D3900L	DIODE	1	
	D9813	B0JCGD000002	DIODE	1	
	D9814	B0JCGD000002	DIODE	1	
	D9815	B0JCGD000002	DIODE	1	
	D9816	MA22D3900L	DIODE	1	
	D9817	MA22D3900L	DIODE	1	
	FL3001	J0HABB000003	LC FILTER	1	
	FL3002	J0HABB000003	LC FILTER	1	
	FL3003	J0HABB000004	LC FILTER	1	
	FL3004	J0HABB000004	LC FILTER	1	
	FL3005	J0HABB000004	LC FILTER	1	
	FL3011	J0HABB000003	LC FILTER	1	
	FL3012	J0HABB000003	LC FILTER	1	
	FL3013	J0HABB000003	LC FILTER	1	
	FL3014	J0HABB000003	LC FILTER	1	
	FL3710	J0ZZA0000091	FILTER	1	
	FL3711	J0ZZA0000091	FILTER	1	
	FL3712	J0ZZA0000091	FILTER	1	

Safety	Ref. No.	Part No.	Part Name & Description	Pcs	Remarks
	FL3713	J0ZZA0000091	FILTER	1	
	FL3714	J0ZZA0000091	FILTER	1	
	FL4206	ECJ1VB0J474K	C 0.47UF, K, 6.3V	1	
	FL5015	J0JAD0000028	CHIP INDUCTOR	1	
	FL5016	J0JAD0000028	CHIP INDUCTOR	1	
	FL5017	J0JAD0000028	CHIP INDUCTOR	1	
	FL5018	J0JAD0000028	CHIP INDUCTOR	1	
	FL5019	J0JAD0000028	CHIP INDUCTOR	1	
	FL5020	J0JAD0000028	CHIP INDUCTOR	1	
	FL5731	J0HABH000013	LC FILTER	1	
	FL5732	J0HABH000013	LC FILTER	1	
	FL5733	J0HABH000013	LC FILTER	1	
	FL5734	J0HABH000013	LC FILTER	1	
	FL8801	J0HAAA000013	LC FILTER	1	
	FL8802	J0HAAA000013	LC FILTER	1	
	FL9803	FLJ1E104A148	C 0.10UF, Z, 25V	1	
	FL9805	FLJ1E104A148	C 0.10UF, Z, 25V	1	
	FL9806	FLJ1E104A148	C 0.10UF, Z, 25V	1	
	G51	K1KA15BA0062	15P CONNECTOR	1	
	GH10	K1FY119E0005	CONNECTOR	1	PAVCCZ
	GH11	K1KA30AA0009	30P CONNECTOR	1	
	GS52	K1KA14BA0062	14P CONNECTOR	1	PAVCCZ
	IC850	C0DBAZF00003	IC	1	
	IC1100	MN103SG3FPA1	IC	1	
	IC1101	TVRP987-2	IC	1	PAVCCZ
	IC2008	C0CBCBE00001	IC	1	
	IC2012	C1BB00000947	IC	1	
	IC2013	C0DBGY00281	IC	1	
	IC2106	C1AB00002909	IC	1	
	IC2107	C0DBFFD00003	IC	1	
	IC2301	C1AB00002875	IC	1	
	IC2403	C1AB00002877	IC	1	
	IC2602	C3ABRY000037	IC	1	
	IC2603	C0DBEFH00002	IC	1	
	IC2604	C1AB00002930	IC	1	
	IC3001	C1AB00002855	IC	1	
	IC3801	C1AB00002835	IC	1	
	IC3802	TVRP984	IC	1	
	IC4200	C1AB00002886	IC	1	
	IC4203	C0JBAB000620	IC	1	
	IC4510	C1AB00002966	IC	1	
	IC4511	C0CBCBE00001	IC	1	
	IC4512	C0DBGY00477	IC	1	
	IC4513	C0DBGY00477	IC	1	
	IC4800	C1ZBZ0003775	IC	1	
	IC4801	C0JBAZ002060	IC	1	
	IC5400	C0DBAYY00183	IC	1	
	IC5401	C0DBAYY00183	IC	1	
	IC5402	C0DBAYY00183	IC	1	
	IC5403	C0DBAYY00183	IC	1	
	IC5404	C0DBEHG00006	IC	1	
	IC5405	C0DBGY00204	IC	1	
	IC5562	C0CBCAC00282	IC	1	
	IC5563	C0BCCAF00032	IC	1	
	IC5600	C0DBAYY00273	IC	1	
	IC5601	C0DBAYY00274	IC	1	
	IC5660	C0EBM0000026	IC	1	
	IC8001	MN2WS0050	IC	1	PAVCCZ
	IC8002	C3ABSY000036	IC	1	
	IC8003	C3ABSY000036	IC	1	
	IC8004	C0ZBZ0001567	IC	1	
	IC8301	C1AB00002710	IC	1	
	IC8302	C0DBGFD00004	IC	1	
	IC8401	C1AB00002913	IC	1	PAVCCZ
	IC8403	C0ZBZ0001584	IC	1	PAVCCZ
	IC8404	C0JBAZ001120	IC	1	
	IC8405	C0JBAZ001120	IC	1	
	IC8408	C0JBAU000025	IC	1	PAVCCZ

Safety	Ref. No.	Part No.	Part Name & Description	Pcs	Remarks
	IC8409	C0JBAU000025	IC	1	PAVCCZ
	IC8554	TVRQ279	IC	1	PAVCCZ
	IC8601	TVRQ230	IC	1	PAVCCZ
	IC9001	TVRQ081	IC	1	PAVCCZ
	IC9002	C1ZBZ0003577	IC	1	
	IC9003	MN103SG4GPF3	IC	1	
	IC9011	C0EBF0000431	IC	1	
	IC9013	C0JBAZ002060	IC	1	
	IC9019	C0JBAZ001120	IC	1	
	IC9300	MN84526	IC	1	
	IC9301	C3ABQJ000055	IC	1	
	IC9303	TVRQ093	IC	1	PAVCCZ
	IC9400	MN84526	IC	1	
	IC9401	C3ABQJ000055	IC	1	
	IC9500	C1ZBZ0003760	IC	1	
	IC9802	C0JBAZ001120	IC	1	
	IC9803	C0JBAZ001120	IC	1	
	IC9805	C0DBAYY00274	IC	1	
	IC9806	C0DBAYY00273	IC	1	
	JA1	D0GDR00Z0002	M 0 OHM, 1/10W	1	
	JA2	D0GDR00Z0002	M 0 OHM, 1/10W	1	
	JA3	D0GDR00Z0002	M 0 OHM, 1/10W	1	
	JA4	D0GDR00Z0002	M 0 OHM, 1/10W	1	
	JA5	D0GDR00Z0002	M 0 OHM, 1/10W	1	
	JA6	D0GDR00Z0002	M 0 OHM, 1/10W	1	
	JA7	D0GDR00Z0002	M 0 OHM, 1/10W	1	
	JA8	D0GDR00Z0002	M 0 OHM, 1/10W	1	
	JA9	D0GDR00Z0002	M 0 OHM, 1/10W	1	
	JA10	D0GDR00Z0002	M 0 OHM, 1/10W	1	
	JA11	D0GDR00Z0002	M 0 OHM, 1/10W	1	
	JA12	D0GDR00Z0002	M 0 OHM, 1/10W	1	
	JA13	D0GDR00Z0002	M 0 OHM, 1/10W	1	
	JA14	D0GDR00Z0002	M 0 OHM, 1/10W	1	
	JA15	D0GDR00Z0002	M 0 OHM, 1/10W	1	
	JA16	D0GDR00Z0002	M 0 OHM, 1/10W	1	
	JA17	D0GDR00Z0002	M 0 OHM, 1/10W	1	
	JA18	D0GDR00Z0002	M 0 OHM, 1/10W	1	
	JA19	D0GDR00Z0002	M 0 OHM, 1/10W	1	
	JA20	D0GDR00Z0002	M 0 OHM, 1/10W	1	
	JA21	D0GDR00Z0002	M 0 OHM, 1/10W	1	
	JA22	D0GDR00Z0002	M 0 OHM, 1/10W	1	
	JA23	D0GDR00Z0002	M 0 OHM, 1/10W	1	
	JA24	D0GDR00Z0002	M 0 OHM, 1/10W	1	
	JA25	D0GDR00Z0002	M 0 OHM, 1/10W	1	
	JA26	D0GDR00Z0002	M 0 OHM, 1/10W	1	
	JA27	D0GDR00Z0002	M 0 OHM, 1/10W	1	
	JA28	D0GDR00Z0002	M 0 OHM, 1/10W	1	
	JA29	D0GDR00Z0002	M 0 OHM, 1/10W	1	
	JA30	D0GDR00Z0002	M 0 OHM, 1/10W	1	
	JA101	ERJ8GEY0R00	M 0 OHM, 1/8W	1	
	JA102	ERJ8GEY0R00	M 0 OHM, 1/8W	1	
	JA103	ERJ8GEY0R00	M 0 OHM, 1/8W	1	
	JA104	ERJ8GEY0R00	M 0 OHM, 1/8W	1	
	JA105	ERJ8GEY0R00	M 0 OHM, 1/8W	1	
	JA106	ERJ8GEY0R00	M 0 OHM, 1/8W	1	
	JA107	ERJ8GEY0R00	M 0 OHM, 1/8W	1	
	JA108	ERJ8GEY0R00	M 0 OHM, 1/8W	1	
	JA109	ERJ8GEY0R00	M 0 OHM, 1/8W	1	
	JA110	ERJ8GEY0R00	M 0 OHM, 1/8W	1	
	JA111	ERJ8GEY0R00	M 0 OHM, 1/8W	1	
	JA112	ERJ8GEY0R00	M 0 OHM, 1/8W	1	
	JA113	ERJ8GEY0R00	M 0 OHM, 1/8W	1	
	JA3701	D0GDR00Z0002	M 0 OHM, 1/10W	1	
	JA3702	D0GDR00Z0002	M 0 OHM, 1/10W	1	
	JA3703	D0GDR00Z0002	M 0 OHM, 1/10W	1	
	JA3704	D0GDR00Z0002	M 0 OHM, 1/10W	1	
	JA3705	D0GDR00Z0002	M 0 OHM, 1/10W	1	
	JA3706	D0GDR00Z0002	M 0 OHM, 1/10W	1	
	JA3707	D0GDR00Z0002	M 0 OHM, 1/10W	1	
	JA3708	D0GDR00Z0002	M 0 OHM, 1/10W	1	
	JA3709	D0GDR00Z0002	M 0 OHM, 1/10W	1	
	JA3751	ERJ8GEY0R00	M 0 OHM, 1/8W	1	

Safety	Ref. No.	Part No.	Part Name & Description	Pcs	Remarks
	JA3753	ERJ8GEY0R00	M 0 OHM, 1/8W	1	
	JA3754	ERJ8GEY0R00	M 0 OHM, 1/8W	1	
	JK3001	K1FB315A0006	CONNECTOR	1	
	JK3002A	K1FY121A0006	CONNECTOR	1	PAVCCZ
	JK3003A	K1FY121A0006	CONNECTOR	1	PAVCCZ
	JK3100A	K2HA7YYA0001	JACK	1	PAVCCZ
	JK3701	K4AK18B00007	TERMINAL	1	
	JK4500	K1FY119D0003	CONNECTOR	1	
	JK4501	K1FY119D0003	CONNECTOR	1	
	JK7701	K1NA12B00004	CONNECTOR	1	
	JK8401	K1NA68B00051	68P CONNECTOR	1	PAVCCZ
	JS2059	D0YAR0000007	M 0 OHM 1/4W	1	
	JS2060	D0YAR0000007	M 0 OHM 1/4W	1	
	JS2061	D0YAR0000007	M 0 OHM 1/4W	1	
	JS2062	D0YAR0000007	M 0 OHM 1/4W	1	
	JS3003	D0YAR0000007	M 0 OHM 1/4W	1	
	JS3704	D0GDR00Z0002	M 0 OHM, 1/10W	1	
	JS3705	D0GDR00Z0002	M 0 OHM, 1/10W	1	
	JS3707	D0GDR00Z0002	M 0 OHM, 1/10W	1	
	JS3708	D0GDR00Z0002	M 0 OHM, 1/10W	1	
	JS7701	D0GBR00Z0002	M 0 OHM J 1/16W	1	
	K1	K1KA06BA0061	6P CONNECTOR	1	
	L852	G0C150MA0056	PEAKING COIL	1	
	L1100	J0JYC0000068	CHIP INDUCTOR	1	
	L2001	G1C150KA0038	INDUCTION COIL	1	
	L2005	J0JCC0000284	CHIP INDUCTOR	1	
	L2006	J0JCC0000284	CHIP INDUCTOR	1	
	L2010	G1C220MA0291	INDUCTION COIL	1	
	L2012	G1C220MA0291	INDUCTION COIL	1	
	L2014	G1C220MA0291	INDUCTION COIL	1	
	L2016	G1C220MA0291	INDUCTION COIL	1	
	L2018	J0JHC0000042	CHIP INDUCTOR	1	
	L2021	G1C470MA0291	INDUCTION COIL	1	
	L2022	G1C100MA0072	INDUCTION COIL	1	
	L2023	G1C3R0ZA0156	INDUCTION COIL	1	
	L2025	J0JCC0000269	CHIP INDUCTOR	1	
	L2026	J0JCC0000269	CHIP INDUCTOR	1	
	L2028	J0JYC0000068	CHIP INDUCTOR	1	
	L2029	J0JCC0000269	CHIP INDUCTOR	1	
	L2030	J0JYC0000068	CHIP INDUCTOR	1	
	L2031	J0JYC0000068	CHIP INDUCTOR	1	
	L2032	J0JYC0000068	CHIP INDUCTOR	1	
	L2300	J0JYC0000068	CHIP INDUCTOR	1	
	L3002	J0JCC0000100	CHIP INDUCTOR	1	
	L3003	J0JCC0000100	CHIP INDUCTOR	1	
	L3004	J0JCC0000100	CHIP INDUCTOR	1	
	L3005	J0JCC0000100	CHIP INDUCTOR	1	
	L3006	J0JCC0000100	CHIP INDUCTOR	1	
	L3007	J0JCC0000100	CHIP INDUCTOR	1	
	L3008	J0JCC0000100	CHIP INDUCTOR	1	
	L3009	J0JCC0000100	CHIP INDUCTOR	1	
	L3010	J0JCC0000100	CHIP INDUCTOR	1	
	L3011	J0JCC0000100	CHIP INDUCTOR	1	
	L3014	J0JCC0000100	CHIP INDUCTOR	1	
	L3015	J0JCC0000100	CHIP INDUCTOR	1	
	L3017	J0JCC0000100	CHIP INDUCTOR	1	
	L3018	J0JCC0000100	CHIP INDUCTOR	1	
	L3700	J0JCC0000364	CHIP INDUCTOR	1	
	L3701	J0JCC0000364	CHIP INDUCTOR	1	
	L3707	J0JCC0000100	CHIP INDUCTOR	1	
	L3708	J0JCC0000100	CHIP INDUCTOR	1	
	L3801	J0JHC0000078	CHIP INDUCTOR	1	
	L3804	J0JHC0000078	CHIP INDUCTOR	1	
	L3805	J0JHC0000078	CHIP INDUCTOR	1	
	L4212	J0JHC0000078	CHIP INDUCTOR	1	
	L4216	J0JHC0000078	CHIP INDUCTOR	1	
	L4217	J0JHC0000078	CHIP INDUCTOR	1	
	L4219	J0JHC0000078	CHIP INDUCTOR	1	
	L4220	J0JHC0000078	CHIP INDUCTOR	1	

Safety	Ref. No.	Part No.	Part Name & Description	Pcs	Remarks
	L4221	J0JHC0000078	CHIP INDUCTOR	1	
	L4502	J0JYC0000068	CHIP INDUCTOR	1	
	L4503	J0JYC0000068	CHIP INDUCTOR	1	
	L4504	J0JYC0000068	CHIP INDUCTOR	1	
	L4505	J0JYC0000068	CHIP INDUCTOR	1	
	L4506	J0JYC0000068	CHIP INDUCTOR	1	
	L4507	J0JYC0000068	CHIP INDUCTOR	1	
	L4511	J0JYC0000068	CHIP INDUCTOR	1	
	L4512	J0JYC0000068	CHIP INDUCTOR	1	
	L4513	J0JYC0000068	CHIP INDUCTOR	1	
	L4514	J0JYC0000068	CHIP INDUCTOR	1	
	L4515	J0JYC0000068	CHIP INDUCTOR	1	
	L4516	J0JYC0000068	CHIP INDUCTOR	1	
	L4517	J0JYC0000068	CHIP INDUCTOR	1	
	L4518	J0JYC0000068	CHIP INDUCTOR	1	
	L4519	J0JYC0000068	CHIP INDUCTOR	1	
	L5401	G1C330M00027	INDUCTION COIL	1	
	L5405	G1C330M00027	INDUCTION COIL	1	
	L5407	G1C330M00027	INDUCTION COIL	1	
	L5409	G1C100MA0291	INDUCTION COIL	1	
	L5410	G1C330M00027	INDUCTION COIL	1	
	L5412	J0JHC0000078	CHIP INDUCTOR	1	
	L5414	J0JYC0000068	CHIP INDUCTOR	1	
	L5600	G1C3R3Z00005	INDUCTION COIL	1	
	L5601	G1C3R3Z00004	INDUCTION COIL	1	PAVCCZ
	L5602	G1C4R7Z00014	INDUCTION COIL	1	
	L5604	G1C100MA0203	INDUCTION COIL	1	
	L5605	J0JHC0000075	CHIP INDUCTOR	1	
	L5606	G1C100MA0077	INDUCTION COIL	1	
	L5610	J0JHC0000035	CHIP INDUCTOR	1	
	L5611	J0JHC0000035	CHIP INDUCTOR	1	
	L5690	J0JYC0000068	CHIP INDUCTOR	1	
	L5691	J0JYC0000068	CHIP INDUCTOR	1	
	L5735	J0JYC0000068	CHIP INDUCTOR	1	
	L7701	J0JCC0000143	CHIP INDUCTOR	1	
	L8001	J0JHC0000045	CHIP INDUCTOR	1	
	L8002	J0JHC0000045	CHIP INDUCTOR	1	
	L8003	J0JHC0000045	CHIP INDUCTOR	1	
	L8004	J0JHC0000045	CHIP INDUCTOR	1	
	L8005	J0JHC0000045	CHIP INDUCTOR	1	
	L8007	J0JHC0000045	CHIP INDUCTOR	1	
	L8008	J0JHC0000045	CHIP INDUCTOR	1	
	L8009	J0JHC0000045	CHIP INDUCTOR	1	
	L8010	J0JHC0000045	CHIP INDUCTOR	1	
	L8301	J0JHC0000045	CHIP INDUCTOR	1	
	L8304	J0JHC0000045	CHIP INDUCTOR	1	
	L8551	J0JHC0000075	CHIP INDUCTOR	1	
	L8801	J0JHC0000045	CHIP INDUCTOR	1	
	L9000	J0JHC0000078	CHIP INDUCTOR	1	
	L9001	J0JHC0000078	CHIP INDUCTOR	1	
	L9002	J0JHC0000078	CHIP INDUCTOR	1	
	L9003	J0JHC0000078	CHIP INDUCTOR	1	
	L9004	J0JHC0000078	CHIP INDUCTOR	1	
	L9005	J0JHC0000078	CHIP INDUCTOR	1	
	L9006	J0JHC0000078	CHIP INDUCTOR	1	
	L9007	J0JHC0000078	CHIP INDUCTOR	1	
	L9800	G1C2R2Z00007	INDUCTION COIL	1	
	L9801	G1C1R5Z00006	INDUCTION COIL	1	
	L9802	G1C2R2Z00007	INDUCTION COIL	1	
	M2	K1KA03B00242	3P CONNECTOR	1	PAVCCZ
	PA5400	K5H1022A0031	FUSE	1	
	PA5401	K5H1022A0031	FUSE	1	
	PA5402	K5H1022A0031	FUSE	1	
	PA5403	K5H1022A0031	FUSE	1	
	PA5600	K5H5022A0023	FUSE	1	
	PA9800	K5H4022A0031	FUSE	1	
	PA9900	K5H5022A0031	FUSE	1	
	PB8	K1KA06A00452	6P CONNECTOR	1	
	PB33	K1KA04AA0192	4P CONNECTOR	1	
	PB34	K1KA03AA0192	3P CONNECTOR	1	

Safety	Ref. No.	Part No.	Part Name & Description	Pcs	Remarks
	PB35	K1KA03AA0192	3P CONNECTOR	1	
	PB36	K1KA04AA0192	4P CONNECTOR	1	
	PC2501	B3JB00000046	IC	1	
	△ PCB	A-46P286FV	CIRCUIT BOARD A	1	PAVCCZ
	△ PCB	TXNPB1BJUB	CIRCUIT BOARD PB	1	PAVCCZ
	△ PCB	ETX2MM704MGB	CIRCUIT BOARD P (AC)	1	
	△ PCB	ETX2MM704MGU	CIRCUIT BOARD P (MAIN)	1	
	△ PCB	TZTNP01BJUB	CIRCUIT BOARD D	1	PAVCCZ
	△ PCB	TXN/K1RLTB	CIRCUIT BOARD K	1	PAVCCZ
	△ PCB	TXN/S1RLTB	CIRCUIT BOARD S	1	PAVCCZ
	△ PCB	TXN/M1RLTB	CIRCUIT BOARD M	1	PAVCCZ
	△ PCB	TXN/G1RLTB	CIRCUIT BOARD G	1	PAVCCZ
	△ PCB	TXNGH1RLTB	CIRCUIT BOARD GH	1	PAVCCZ
	△ PCB	TXNGS1RLTB	CIRCUIT BOARD GS	1	PAVCCZ
	Q2001	2SD0601ARL	TRANSISTOR	1	
	Q2022	2SB0709ARL	TRANSISTOR	1	
	Q2027	B1CFNG000001	FET	1	
	Q2030	2SB0709ARL	TRANSISTOR	1	
	Q2033	2SB0709ARL	TRANSISTOR	1	
	Q2501	2SD0601ARL	TRANSISTOR	1	
	Q2502	2SD0601ASL	TRANSISTOR	1	
	Q2503	2SD0601ASL	TRANSISTOR	1	
	Q2504	2SD0601ASL	TRANSISTOR	1	
	Q3000	2SD0601ARL	TRANSISTOR	1	
	Q3001	2SD0601ARL	TRANSISTOR	1	
	Q3002	2SD0601ARL	TRANSISTOR	1	
	Q3003	2SD0601ARL	TRANSISTOR	1	
	Q3004	2SD0601ARL	TRANSISTOR	1	
	Q3005	2SD0601ARL	TRANSISTOR	1	
	Q3801	2SD0601ARL	TRANSISTOR	1	
	Q3802	2SD0601ARL	TRANSISTOR	1	
	Q3804	2SD0601ARL	TRANSISTOR	1	
	Q4500	2SD0601ARL	TRANSISTOR	1	
	Q4501	2SD0601ARL	TRANSISTOR	1	
	Q4502	2SD0601ARL	TRANSISTOR	1	
	Q4503	2SD0601ARL	TRANSISTOR	1	
	Q4514	2SB0709ASL	TRANSISTOR	1	
	Q4515	2SB0709ASL	TRANSISTOR	1	
	Q4516	2SB0709ASL	TRANSISTOR	1	
	Q4517	2SB0709ASL	TRANSISTOR	1	
	Q4519	2SB0709ASL	TRANSISTOR	1	
	Q4520	2SB0709ASL	TRANSISTOR	1	
	Q4521	2SB0709ASL	TRANSISTOR	1	
	Q4522	2SB0709ASL	TRANSISTOR	1	
	Q4523	2SB0709ASL	TRANSISTOR	1	
	Q4831	2SD0601ASL	TRANSISTOR	1	
	Q4832	2SD0601ASL	TRANSISTOR	1	
	Q4833	2SD0601ASL	TRANSISTOR	1	
	Q4834	2SD0601ASL	TRANSISTOR	1	
	Q4835	2SD0601ASL	TRANSISTOR	1	
	Q4836	2SD0601ASL	TRANSISTOR	1	
	Q5522	2SB0709ARL	TRANSISTOR	1	
	Q5531	2SD0601ARL	TRANSISTOR	1	
	Q5532	2SD0601ARL	TRANSISTOR	1	
	Q5533	2SD0601ARL	TRANSISTOR	1	
	Q5534	2SD0601ARL	TRANSISTOR	1	
	Q5561	B1DHDC000028	FET	1	
	Q5562	2SD0601ARL	TRANSISTOR	1	
	Q5563	2SD0601ARL	TRANSISTOR	1	
	Q5564	2SD0601ARL	TRANSISTOR	1	
	Q5600	B1MBEDA00015	FET	1	
	Q5601	B1MBEDA00003	FET	1	
	Q5602	B1MBEDA00015	FET	1	
	Q5606	2SD0601ARL	TRANSISTOR	1	
	Q5607	2SD0601ARL	TRANSISTOR	1	
	Q5691	2SD0601ARL	TRANSISTOR	1	
	Q5693	B1DHDC000028	FET	1	
	Q8401	2SD0601ARL	TRANSISTOR	1	

Safety	Ref. No.	Part No.	Part Name & Description	Pcs	Remarks
	Q8402	2SD0601ARL	TRANSISTOR	1	
	Q8850	2SD0601ARL	TRANSISTOR	1	
	Q8852	2SD0601ARL	TRANSISTOR	1	
	Q8853	2SD0601ARL	TRANSISTOR	1	
	Q9010	2SD0601ARL	TRANSISTOR	1	
	Q9058	2SD0601ARL	TRANSISTOR	1	
	Q9059	2SD0601ARL	TRANSISTOR	1	
	Q9060	2SD0601ARL	TRANSISTOR	1	
	Q9061	2SD0601ARL	TRANSISTOR	1	
	Q9805	2SD0601ARL	TRANSISTOR	1	
	Q9806	2SD0601ARL	TRANSISTOR	1	
	Q9807	B1MBDDA00003	FET	1	
	Q9808	B1MBDDA00015	FET	1	
	Q9809	B1MBDDA00003	FET	1	
	R001	ERJ2GEJ680	M 68 OHM, J,0.063W	1	
	R002	EXB28V680JX	RESISTOR ARRAY	1	
	R003	ERJ2GEJ102X	M 1K OHM J 1/4W	1	
	R004	ERJ2GEJ680	M 68 OHM, J,0.063W	1	
	R005	EXB28V680JX	RESISTOR ARRAY	1	
	R007	ERJ2GEJ102X	M 1K OHM J 1/4W	1	
	R008	ERJ2GEJ102X	M 1K OHM J 1/4W	1	
	R009	ERJ2GEJ103	M 10KOHM, J,0.063W	1	
	R010	ERJ2GEJ103	M 10KOHM, J,0.063W	1	
	R012	EXB28V680JX	RESISTOR ARRAY	1	
	R013	ERJ2GEJ680	M 68 OHM, J,0.063W	1	
	R853	ERJ6GEYJ472V	M 4.7K OHM J 1/ 10W	1	
	R854	ERJ6GEYJ472V	M 4.7K OHM J 1/ 10W	1	
	R855	ERJ6GEYJ472V	M 4.7K OHM J 1/ 10W	1	
	R856	ERJ6GEYJ472V	M 4.7K OHM J 1/ 10W	1	
	R859	ERJ6ENF2101	M2.10KOHM, 1/10W	1	
	R861	ERJ6GEYJ472V	M 4.7K OHM J 1/ 10W	1	
	R864	DOGDR00Z0002	M 0 OHM, 1/10W	1	
	R869	ERJ6GEYJ102V	M 1K OHM J 1/10W	1	
	R871	ERJ6ENF1302	M 13KOHM, 1/10W	1	
	R872	ERJ6ENF2260	M 226 OHM, 1/10W	1	
	R874	ERJ6GEYJ471	M 470 OHM,J,1/ 10W	1	
	R880	DOGDR00Z0002	M 0 OHM, 1/10W	1	
	R883	DOGDR00Z0002	M 0 OHM, 1/10W	1	
	R884	DOGDR00Z0002	M 0 OHM, 1/10W	1	
	R1000	ERJ2GED273X	M 27KOHM ,J,0.063W	1	
	R1001	ERJ2GED273X	M 27KOHM ,J,0.063W	1	
	R1100	ERJ2GEJ101	M 100 OHM, J,0.063W	1	
	R1101	ERJ2GEJ101	M 100 OHM, J,0.063W	1	
	R1102	ERJ2GEJ101	M 100 OHM, J,0.063W	1	
	R1103	ERJ2RKD330	M 33 OHM, J, 2W	1	
	R1104	ERJ2GEJ473	M 47KOHM, J,0.063W	1	
	R1105	ERJ2GEJ101	M 100 OHM, J,0.063W	1	
	R1106	ERJ2GEJ101	M 100 OHM, J,0.063W	1	
	R1107	ERJ2GEJ101	M 100 OHM, J,0.063W	1	
	R1108	ERJ2GEJ101	M 100 OHM, J,0.063W	1	
	R1109	ERJ2GEJ101	M 100 OHM, J,0.063W	1	
	R1110	ERJ2GEJ103	M 10KOHM, J,0.063W	1	
	R1111	ERJ2GEJ103	M 10KOHM, J,0.063W	1	

Safety	Ref. No.	Part No.	Part Name & Description	Pcs	Remarks
	R1134	ERJ2GEJ101	M 100 OHM, J,0.063W	1	
	R1146	ERJ2GEJ102X	M 1K OHM J 1/4W	1	
	R1153	ERJ2GEJ821	M 820 OHM, J,0.063W	1	
	R1163	ERJ2GEJ105	M 1MOHM, J,0.063W	1	
	R1164	ERJ2GEJ103	M 10KOHM, J,0.063W	1	
	R1166	ERJ2GEJ104	M 100KOHM, J,0.063W	1	
	R1169	ERJ2GEJ683	M 68KOHM, J,0.063W	1	
	R1170	ERJ2GEJ333	M 33KOHM, J,0.063W	1	
	R1171	ERJ2GEJ683	M 68KOHM, J,0.063W	1	
	R1172	ERJ2GEJ333	M 33KOHM, J,0.063W	1	
	R1173	ERJ2GEJ331	M 330 OHM, J,0.063W	1	
	R1174	ERJ2GEJ220	M 22 OHM, J,0.063W	1	
	R1175	ERJ2GEJ220	M 22 OHM, J,0.063W	1	
	R1179	ERJ2GEJ101	M 100 OHM, J,0.063W	1	
	R1181	ERJ2GEJ101	M 100 OHM, J,0.063W	1	
	R1182	ERJ2GED273X	M 27KOHM ,J,0.063W	1	
	R1183	ERJ2GEJ220	M 22 OHM, J,0.063W	1	
	R1184	ERJ2GEJ220	M 22 OHM, J,0.063W	1	
	R1194	ERJ2GEJ683	M 68KOHM, J,0.063W	1	
	R1196	ERJ2GEJ473	M 47KOHM, J,0.063W	1	
	R1197	ERJ2GEJ103	M 10KOHM, J,0.063W	1	
	R1200	ERJ2GEJ472	M 4.7KOHM, J,0.063W	1	
	R1201	ERJ2GEJ472	M 4.7KOHM, J,0.063W	1	
	R1203	ERJ2GEJ473	M 47KOHM, J,0.063W	1	
	R1205	ERJ2GEJ220	M 22 OHM, J,0.063W	1	
	R1206	ERJ2GEJ220	M 22 OHM, J,0.063W	1	
	R1208	ERJ2GEJ103	M 10KOHM, J,0.063W	1	
	R1209	ERJ2GEJ473	M 47KOHM, J,0.063W	1	
	R1210	ERJ2GEJ473	M 47KOHM, J,0.063W	1	
	R1211	ERJ2GEJ473	M 47KOHM, J,0.063W	1	
	R1212	ERJ2GEJ473	M 47KOHM, J,0.063W	1	
	R1216	ERJ2GEJ103	M 10KOHM, J,0.063W	1	
	R1217	ERJ2GEJ104	M 100KOHM, J,0.063W	1	
	R1218	ERJ2GEJ103	M 10KOHM, J,0.063W	1	
	R1219	ERJ2GEJ103	M 10KOHM, J,0.063W	1	
	R1220	ERJ2GEJ103	M 10KOHM, J,0.063W	1	
	R1221	D1BB7151A055	M7.15KOHM, 1/10W	1	
	R1224	ERJ2GEJ103	M 10KOHM, J,0.063W	1	
	R1225	ERJ2GEJ103	M 10KOHM, J,0.063W	1	
	R1230	ERJ2GEJ473	M 47KOHM, J,0.063W	1	
	R1236	ERJ2GEJ473	M 47KOHM, J,0.063W	1	

Safety	Ref. No.	Part No.	Part Name & Description	Pcs	Remarks
	R1237	ERJ2GEJ102X	M 1K OHM J 1/4W	1	
	R1243	ERJ2GEJ473	M 47KOHM, J,0.063W	1	
	R1251	ERJ2GEJ473	M 47KOHM, J,0.063W	1	
	R1255	ERJ2GEJ102X	M 1K OHM J 1/4W	1	
	R2000	ERJ2GEJ220	M 22 OHM, J,0.063W	1	
	R2001	ERJ2GEJ220	M 22 OHM, J,0.063W	1	
	R2002	ERJ2GEJ122	M 1.2KOHM, J,0.063W	1	
	R2003	ERJ2GEJ105	M 1MOHM, J,0.063W	1	
	R2006	ERJ2GEJ471	M 470 OHM, J,0.063W	1	
	R2007	ERJ2GEJ221	M 220 OHM, J,0.063W	1	
	R2008	ERJ2GEJ471	M 470 OHM, J,0.063W	1	
	R2015	ERJ2GEJ103	M 10KOHM, J,0.063W	1	
	R2016	ERJ2GEJ103	M 10KOHM, J,0.063W	1	
	R2017	ERJ2GEJ103	M 10KOHM, J,0.063W	1	
	R2018	ERJ2GEJ103	M 10KOHM, J,0.063W	1	
	R2019	D1BB2002A055	M 20KOHM, 1/10W	1	
	R2020	D1BB2001A055	M 2KOHM, 1/10W	1	
	R2023	ERJ2GEJ103	M 10KOHM, J,0.063W	1	
	R2026	D1BB1203A055	M 120KOHM, 1/10W	1	
	R2027	D1BB7502A055	M 75KOHM, 1/10W	1	
	R2047	D1BB2002A055	M 20KOHM, 1/10W	1	
	R2048	D1BB2002A055	M 20KOHM, 1/10W	1	
	R2050	D1BB2002A055	M 20KOHM, 1/10W	1	
	R2051	D1BB2002A055	M 20KOHM, 1/10W	1	
	R2052	ERJ6GEYJ331V	M 330 OHM J 1/10W	1	
	R2053	DOYAR0000007	M 0 OHM 1/4W	1	
	R2057	ERJ2GEJ102X	M 1K OHM J 1/4W	1	
	R2058	ERJ2GEJ103	M 10KOHM, J,0.063W	1	
	R2063	ERJ2GEJ101	M 100 OHM, J,0.063W	1	
	R2064	ERJ2GEJ101	M 100 OHM, J,0.063W	1	
	R2065	ERJ2GEJ823	M 82KOHM, J,0.063W	1	
	R2071	ERJ2GEJ104	M 100KOHM, J,0.063W	1	
	R2072	ERJ2GEJ104	M 100KOHM, J,0.063W	1	
	R2073	ERJ6GEYG681	M 680 OHM,J,1/10W	1	
	R2074	D1BB6802A055	M 68KOHM, 1/10W	1	
	R2075	D1BB1583A055	M 158KOHM, 1/10W	1	
	R2089	ERJ2GEJ102X	M 1K OHM J 1/4W	1	
	R2090	ERJ2GEJ102X	M 1K OHM J 1/4W	1	
	R2092	ERJ2GEJ103	M 10KOHM, J,0.063W	1	
	R2093	ERJ2GEJ103	M 10KOHM, J,0.063W	1	
	R2095	ERJ2GEJ473	M 47KOHM, J,0.063W	1	
	R2096	ERJ2GEJ473	M 47KOHM, J,0.063W	1	
	R2097	ERJ2GEJ105	M 1MOHM, J,0.063W	1	
	R2098	ERJ2GEJ103	M 10KOHM, J,0.063W	1	
	R2099	ERJ6GEYJ153V	M 15KOHM, J,1/10W	1	
	R2100	ERJ6GEYJ180	M 18 OHM, J,1/10W	1	
	R2101	ERJ6GEYJ180	M 18 OHM, J,1/10W	1	
	R2102	ERJ6GEYJ180	M 18 OHM, J,1/10W	1	
	R2103	ERJ6GEYJ180	M 18 OHM, J,1/10W	1	
	R2104	DOYAR0000007	M 0 OHM 1/4W	1	

Safety	Ref. No.	Part No.	Part Name & Description	Pcs	Remarks
	R2108	ERJ6GEYJ150V	M 15 OHM, J,1/10W	1	
	R2111	ERJ2GEJ103	M 10KOHM, J,0.063W	1	
	R2114	ERJ2GEJ222	M 2.2KOHM, J,0.063W	1	
	R2115	ERJ2GEJ222	M 2.2KOHM, J,0.063W	1	
	R2118	ERJ2GEJ471	M 470 OHM, J,0.063W	1	
	R2121	ERJ8GEYJ3R3V	M 3.3 OHM, J,1/8W	1	
	R2123	ERJ8GEYJ3R3V	M 3.3 OHM, J,1/8W	1	
	R2125	ERJ8GEYJ3R3V	M 3.3 OHM, J,1/8W	1	
	R2127	ERJ8GEYJ3R3V	M 3.3 OHM, J,1/8W	1	
	R2129	ERJ2GEJ100	M 10 OHM, J,0.063W	1	
	R2132	ERJ2GEJ471	M 470 OHM, J,0.063W	1	
	R2133	ERJ2GEJ100	M 10 OHM, J,0.063W	1	
	R2137	ERJ2GEJ100	M 10 OHM, J,0.063W	1	
	R2141	ERJ2GEJ102X	M 1K OHM J 1/4W	1	
	R2142	ERJ2GEJ222	M 2.2KOHM, J,0.063W	1	
	R2164	D1BB1003A055	M 100KOHM, 1/10W	1	
	R2165	D1BB3401A055	M 3.4KOHM, 1/10W	1	
	R2169	DOGBR00Z0002	M 0 OHM J 1/16W	1	
	R2170	DOGBR00Z0002	M 0 OHM J 1/16W	1	
	R2172	ERJ2GEJ680	M 68 OHM, J,0.063W	1	
	R2174	ERJ2GEJ221	M 220 OHM, J,0.063W	1	
	R2175	ERJ2GEJ561	M 60 OHM, J,0.063W	1	
	R2176	DOGD271JA036	M 270 OHM, J 0.25W	1	
	R2179	ERJ2GEJ221	M 220 OHM, J,0.063W	1	
	R2180	ERJ2GEJ473	M 47KOHM, J,0.063W	1	
	R2191	DOYAR0000007	M 0 OHM 1/4W	1	
	R2194	DOYAR0000007	M 0 OHM 1/4W	1	
	R2202	DOYAR0000007	M 0 OHM 1/4W	1	
	R2203	DOYAR0000007	M 0 OHM 1/4W	1	
	R2211	ERJ2GEJ102X	M 1K OHM J 1/4W	1	
	R2271	EXB28V220J	RESISTOR ARRAY	1	
	R2300	D1BB4701A055	M 4.7KOHM, 1/10W	1	
	R2501	ERJ6GEYJ223	M 22KOHM, J,1/10W	1	
	R2502	ERJ6GEYJ470V	M 47 OHM, J,1/10W	1	
	R2503	DOGDR00Z0002	M 0 OHM, 1/10W	1	
	R2505	ERJ6GEYJ224	M 220KOHM, J,1/10W	1	
	R2506	ERJ6GEYOR00V	M 0 OHM J 1/10W	1	
	R2507	ERJ6GEYOR00V	M 0 OHM J 1/10W	1	
	R2508	ERJ6RED750	M 75 OHM, 1/10W	1	
	R2509	ERJ3GEYJ223	M 22KOHM, J,1/16W	1	
	R2510	D1BB2700A055	M 270 OHM, 1/10W	1	
	R2511	ERJ3GEYJ223	M 22KOHM, J,1/16W	1	
	R2512	ERJ3GEYJ562	M 5.6KOHM, J,1/16W	1	
	R2514	ERJ3GEYJ223	M 22KOHM, J,1/16W	1	
	R2515	D1BB5760A055	M 576 OHM, 1/10W	1	
	R2516	DOGBR00Z0002	M 0 OHM J 1/16W	1	
	R2517	DOGBR00Z0002	M 0 OHM J 1/16W	1	
	R2518	DOGBR00Z0002	M 0 OHM J 1/16W	1	
	R2519	ERJ6GEYF473	M 47KOHM, J,1/10W	1	
	R2520	DOGB473JA057	M 47KOHM, J,1/16W	1	
	R2522	ERJ3GEYJ562	M 5.6KOHM, J,1/16W	1	
	R2601	ERJ2RKD330	M 33 OHM, J, 2W	1	
	R2602	ERJ2RKD330	M 33 OHM, J, 2W	1	
	R2603	ERJ2RKD330	M 33 OHM, J, 2W	1	
	R2605	ERJ2RKD330	M 33 OHM, J, 2W	1	

Safety	Ref. No.	Part No.	Part Name & Description	Pcs	Remarks
	R2606	ERJ2RKD330	M 33 OHM, J, 2W	1	
	R2607	EXB2HV330JV	RESISTOR ARRAY	1	
	R2608	EXB2HV330JV	RESISTOR ARRAY	1	
	R2609	ERJ2RKD330	M 33 OHM, J, 2W	1	
	R2610	ERJ2RKD330	M 33 OHM, J, 2W	1	
	R2611	EXB2HV330JV	RESISTOR ARRAY	1	
	R2612	ERJ2RKD330	M 33 OHM, J, 2W	1	
	R2613	ERJ2RKD330	M 33 OHM, J, 2W	1	
	R2614	ERJ2GEJ103	M 10KOHM, J, 0.063W	1	
	R2619	ERJ2GEJ680	M 68 OHM, J, 0.063W	1	
	R2620	ERJ2GEJ220	M 22 OHM, J, 0.063W	1	
	R2621	ERJ2GEJ220	M 22 OHM, J, 0.063W	1	
	R2622	ERJ2GEJ103	M 10KOHM, J, 0.063W	1	
	R2623	ERJ2GEJ473	M 47KOHM, J, 0.063W	1	
	R2624	ERJ2RKD330	M 33 OHM, J, 2W	1	
	R2625	ERJ2RKD330	M 33 OHM, J, 2W	1	
	R2626	EXB2HV330JV	RESISTOR ARRAY	1	
	R2631	ERJ2RKD330	M 33 OHM, J, 2W	1	
	R2632	ERJ2RKD330	M 33 OHM, J, 2W	1	
	R2633	EXB2HV330JV	RESISTOR ARRAY	1	
	R2634	ERJ2GEJ331	M 330 OHM, J, 0.063W	1	
	R2635	ERJ2GEJ331	M 330 OHM, J, 0.063W	1	
	R2636	ERJ2RKD330	M 33 OHM, J, 2W	1	
	R2637	ERJ2RKD330	M 33 OHM, J, 2W	1	
	R2638	EXB2HV330JV	RESISTOR ARRAY	1	
	R2644	ERJ2RKD330	M 33 OHM, J, 2W	1	
	R2645	ERJ2RKD330	M 33 OHM, J, 2W	1	
	R2646	EXB28V470JX	RESISTOR ARRAY	1	
	R2647	EXB28V470JX	RESISTOR ARRAY	1	
	R2648	EXB28V470JX	RESISTOR ARRAY	1	
	R2649	EXB28V470JX	RESISTOR ARRAY	1	
	R2650	ERJ2GEJ470	M 47 OHM, J, 0.063W	1	
	R2651	ERJ2GEJ470	M 47 OHM, J, 0.063W	1	
	R2652	ERJ2GEJ680	M 68 OHM, J, 0.063W	1	
	R2653	ERJ2GEJ240	M 24 OHM, J, 0.063W	1	
	R2654	ERJ2GEJ240	M 24 OHM, J, 0.063W	1	
	R2655	ERJ2GEJ470	M 47 OHM, J, 0.063W	1	
	R2656	ERJ2GEJ220	M 22 OHM, J, 0.063W	1	
	R2657	ERJ2GEJ680	M 68 OHM, J, 0.063W	1	
	R2658	EXB28V330J	RESISTOR ARRAY	1	
	R2659	EXB28V330J	RESISTOR ARRAY	1	
	R2660	EXB28V330J	RESISTOR ARRAY	1	
	R2661	EXB28V330J	RESISTOR ARRAY	1	
	R2662	ERJ2GEJ680	M 68 OHM, J, 0.063W	1	
	R2663	EXB28V680JX	RESISTOR ARRAY	1	
	R2664	EXB28V680JX	RESISTOR ARRAY	1	
	R2665	ERJ2GEJ680	M 68 OHM, J, 0.063W	1	
	R2666	EXB28V680JX	RESISTOR ARRAY	1	
	R2667	ERJ2GEJ680	M 68 OHM, J, 0.063W	1	
	R2669	EXB28V680JX	RESISTOR ARRAY	1	
	R2670	ERJ2GEJ680	M 68 OHM, J, 0.063W	1	
	R2671	ERJ2GEJ680	M 68 OHM, J, 0.063W	1	
	R2672	EXB28V680JX	RESISTOR ARRAY	1	
	R2673	EXB28V680JX	RESISTOR ARRAY	1	
	R2674	EXB28V680JX	RESISTOR ARRAY	1	
	R2675	EXB28V680JX	RESISTOR ARRAY	1	

Safety	Ref. No.	Part No.	Part Name & Description	Pcs	Remarks
	R2703	ERJ3GEYJ100	M 10 OHM, J, 1/16W	1	
	R2704	ERJ2GEJ680	M 68 OHM, J, 0.063W	1	
	R2705	ERJ2GEJ101	M 100 OHM, J, 0.063W	1	
	R2709	ERJ2GEJ680	M 68 OHM, J, 0.063W	1	
	R2710	ERJ2GEJ680	M 68 OHM, J, 0.063W	1	
	R2713	D0YAR0000007	M 0 OHM 1/4W	1	
	R2715	ERJ3GEY0R00	M 0 OHM, 1/16W	1	
	R2733	D0YAR0000007	M 0 OHM 1/4W	1	
	R2737	D0YAR0000007	M 0 OHM 1/4W	1	
	R3000	D0GD223JA036	M 22KOHM, J, 0.25W	1	
	R3001	D0GD223JA036	M 22KOHM, J, 0.25W	1	
	R3002	D0GD223JA036	M 22KOHM, J, 0.25W	1	
	R3003	D0GD223JA036	M 22KOHM, J, 0.25W	1	
	R3004	D0GD223JA036	M 22KOHM, J, 0.25W	1	
	R3005	D0GD223JA036	M 22KOHM, J, 0.25W	1	
	R3006	ERJ2GEJ104	M 100KOHM, J, 0.063W	1	
	R3007	ERJ2GEJ104	M 100KOHM, J, 0.063W	1	
	R3008	ERJ2GEJ222	M 2.2KOHM, J, 0.063W	1	
	R3009	ERJ2GEJ222	M 2.2KOHM, J, 0.063W	1	
	R3010	ERJ2GEJ104	M 100KOHM, J, 0.063W	1	
	R3011	ERJ2GEJ104	M 100KOHM, J, 0.063W	1	
	R3012	ERJ2GEJ222	M 2.2KOHM, J, 0.063W	1	
	R3013	ERJ2GEJ222	M 2.2KOHM, J, 0.063W	1	
	R3019	ERJ2GEJ222	M 2.2KOHM, J, 0.063W	1	
	R3021	ERJ2GEJ222	M 2.2KOHM, J, 0.063W	1	
	R3024	ERJ2GEJ104	M 100KOHM, J, 0.063W	1	
	R3025	ERJ2GEJ104	M 100KOHM, J, 0.063W	1	
	R3028	ERJ2GEJ331	M 330 OHM, J, 0.063W	1	
	R3029	ERJ2GEJ331	M 330 OHM, J, 0.063W	1	
	R3033	ERJ2GEJ221	M 220 OHM, J, 0.063W	1	
	R3034	ERJ2GEJ221	M 220 OHM, J, 0.063W	1	
	R3037	ERJ2GEJ221	M 220 OHM, J, 0.063W	1	
	R3038	ERJ2GEJ221	M 220 OHM, J, 0.063W	1	
	R3041	ERJ2GEJ331	M 330 OHM, J, 0.063W	1	
	R3042	ERJ2GEJ331	M 330 OHM, J, 0.063W	1	
	R3043	ERJ2GEJ221	M 220 OHM, J, 0.063W	1	
	R3045	ERJ2GEJ221	M 220 OHM, J, 0.063W	1	
	R3047	ERJ2GEJ221	M 220 OHM, J, 0.063W	1	
	R3048	ERJ2GEJ221	M 220 OHM, J, 0.063W	1	
	R3049	ERJ2GEJ221	M 220 OHM, J, 0.063W	1	
	R3050	ERJ2GEJ221	M 220 OHM, J, 0.063W	1	
	R3051	ERJ2GEJ221	M 220 OHM, J, 0.063W	1	
	R3052	ERJ2GEJ221	M 220 OHM, J, 0.063W	1	
	R3072	D1BD1500A044	M 150 OHM, 1/10W	1	
	R3073	D1BD1500A044	M 150 OHM, 1/10W	1	
	R3074	D1BD1500A044	M 150 OHM, 1/10W	1	
	R3075	D1BD1500A044	M 150 OHM, 1/10W	1	

Safety	Ref. No.	Part No.	Part Name & Description	Pcs	Remarks
	R3076	D1BD1500A044	M 150 OHM, 1/10W	1	
	R3077	D1BD1500A044	M 150 OHM, 1/10W	1	
	R3079	D1BD1500A044	M 150 OHM, 1/10W	1	
	R3081	D1BD1500A044	M 150 OHM, 1/10W	1	
	R3082	D1BD1500A044	M 150 OHM, 1/10W	1	
	R3083	D1BD1500A044	M 150 OHM, 1/10W	1	
	R3084	D1BD75R0A044	M 75 OHM 1/10W	1	
	R3085	D1BD75R0A044	M 75 OHM 1/10W	1	
	R3086	D1BD75R0A044	M 75 OHM 1/10W	1	
	R3087	D1BD1500A044	M 150 OHM, 1/10W	1	
	R3088	EXB28VR000X	RESISTOR ARRAY	1	
	R3089	DOGD680JA036	M 68 OHM, J, 0.25W	1	PAVCCZ
	R3091	D1BD2152A044	M21.5KOHM, 1/10W	1	PAVCCZ
	R3092	D1BD2152A044	M21.5KOHM, 1/10W	1	PAVCCZ
	R3094	D1BD1302A044	M13.0KOHM, 1/10W	1	
	R3096	EXB28VR000X	RESISTOR ARRAY	1	
	R3097	D1BD1500A044	M 150 OHM, 1/10W	1	
	R3098	D1BD1500A044	M 150 OHM, 1/10W	1	
	R3099	ERJ2GEJ221	M 220 OHM, J, 0.063W	1	
	R3100	ERJ2GEJ104	M 100KOHM, J, 0.063W	1	
	R3102	D1BD1500A044	M 150 OHM, 1/10W	1	
	R3104	D1BD1500A044	M 150 OHM, 1/10W	1	
	R3112	DOYAR0000007	M 0 OHM 1/4W	1	
	R3113	DOYAR0000007	M 0 OHM 1/4W	1	
	R3115	ERJ2GEJ221	M 220 OHM, J, 0.063W	1	
	R3116	ERJ2GEJ221	M 220 OHM, J, 0.063W	1	
	R3117	ERJ2GEJ221	M 220 OHM, J, 0.063W	1	
	R3118	ERJ2GEJ221	M 220 OHM, J, 0.063W	1	
	R3119	ERJ2GEJ221	M 220 OHM, J, 0.063W	1	
	R3120	ERJ2GEJ331	M 330 OHM, J, 0.063W	1	
	R3121	D1BD75R0A044	M 75 OHM 1/10W	1	
	R3122	DOYAR0000007	M 0 OHM 1/4W	1	
	R3123	ERJ2GEJ221	M 220 OHM, J, 0.063W	1	
	R3126	DOYAR0000007	M 0 OHM 1/4W	1	
	R3128	ERJ2GEJ221	M 220 OHM, J, 0.063W	1	
	R3130	ERJ2GEJ220	M 22 OHM, J, 0.063W	1	
	R3131	ERJ2GEJ220	M 22 OHM, J, 0.063W	1	
	R3132	ERJ2GEJ820	M 82 OHM, J, 0.063W	1	
	R3133	ERJ2GEJ820	M 82 OHM, J, 0.063W	1	
	R3134	ERJ2GEJ820	M 82 OHM, J, 0.063W	1	
	R3135	ERJ2GEJ221	M 220 OHM, J, 0.063W	1	
	R3136	ERJ2GEJ221	M 220 OHM, J, 0.063W	1	
	R3137	ERJ2GEJ221	M 220 OHM, J, 0.063W	1	
	R3138	ERJ2GEJ221	M 220 OHM, J, 0.063W	1	
	R3139	ERJ2GEJ221	M 220 OHM, J, 0.063W	1	
	R3140	ERJ2GEJ221	M 220 OHM, J, 0.063W	1	
	R3143	ERJ2GEJ680	M 68 OHM, J, 0.063W	1	
	R3144	DOYAR0000007	M 0 OHM 1/4W	1	
	R3146	ERJ2GEJ331	M 330 OHM, J, 0.063W	1	
	R3150	ERJ2GEJ680	M 68 OHM, J, 0.063W	1	
	R3153	DOGD680JA036	M 68 OHM, J, 0.25W	1	PAVCCZ
	R3167	D1BD75R0A044	M 75 OHM 1/10W	1	
	R3169	ERJ2GEJ104	M 100KOHM, J, 0.063W	1	

Safety	Ref. No.	Part No.	Part Name & Description	Pcs	Remarks
	R3172	D1BD75R0A044	M 75 OHM 1/10W	1	
	R3174	ERJ2GEJ104	M 100KOHM, J, 0.063W	1	
	R3182	D1BD1302A044	M13.0KOHM, 1/10W	1	
	R3186	D1BD1500A044	M 150 OHM, 1/10W	1	
	R3187	D1BD1500A044	M 150 OHM, 1/10W	1	
	R3188	D1BD1500A044	M 150 OHM, 1/10W	1	
	R3189	ERJ2GEJ680	M 68 OHM, J, 0.063W	1	
	R3190	ERJ2GEJ680	M 68 OHM, J, 0.063W	1	
	R3191	ERJ2GEJ680	M 68 OHM, J, 0.063W	1	
	R3193	D1BD1500A044	M 150 OHM, 1/10W	1	
	R3198	D1BD1500A044	M 150 OHM, 1/10W	1	
	R3199	DOYAR0000007	M 0 OHM 1/4W	1	
	R3200	DOYAR0000007	M 0 OHM 1/4W	1	
	R3204	D1BD1500A044	M 150 OHM, 1/10W	1	
	R3205	D1BD1500A044	M 150 OHM, 1/10W	1	
	R3212	D1BD1500A044	M 150 OHM, 1/10W	1	
	R3213	D1BD1500A044	M 150 OHM, 1/10W	1	
	R3214	DOYAR0000007	M 0 OHM 1/4W	1	
	R3215	DOYAR0000007	M 0 OHM 1/4W	1	
	R3216	DOYAR0000007	M 0 OHM 1/4W	1	
	R3217	DOYAR0000007	M 0 OHM 1/4W	1	
	R3223	ERJ2GEJ680	M 68 OHM, J, 0.063W	1	
	R3225	ERJ2GEJ680	M 68 OHM, J, 0.063W	1	
	R3226	DOGD472JA036	M 4.7KOHM, J, 0.25W	1	
	R3227	DOGD472JA036	M 4.7KOHM, J, 0.25W	1	
	R3230	D1BD75R0A044	M 75 OHM 1/10W	1	
	R3232	D1BD75R0A044	M 75 OHM 1/10W	1	
	R3234	D1BD75R0A044	M 75 OHM 1/10W	1	
	R3236	ERJ2GEJ680	M 68 OHM, J, 0.063W	1	
	R3237	ERJ2GEJ680	M 68 OHM, J, 0.063W	1	
	R3240	ERJ2GEJ221	M 220 OHM, J, 0.063W	1	
	R3716	ERJ6GEYJ184	M 180KOHM, J, 1/10W	1	
	R3717	ERJ6GEYJ184	M 180KOHM, J, 1/10W	1	
	R3721	DOGD103JA036	M 10KOHM, J, 0.25W	1	
	R3750	ERJ6ENF1432	M14.3KOHM, 1/10W	1	
	R3751	ERJ6ENF6651	M6.65KOHM, 1/10W	1	
	R3752	ERJ6ENF1741	M1.74KOHM, 1/10W	1	
	R3758	ERJ6ENF7151	M7.15KOHM, 1/10W	1	
	R3801	ERJ2GEJ103	M 10KOHM, J, 0.063W	1	
	R3802	ERJ2GEJ103	M 10KOHM, J, 0.063W	1	
	R3803	ERJ2GEJ332	M 3.3KOHM, J, 0.063W	1	
	R3804	ERJ2GEJ472	M 4.7KOHM, J, 0.063W	1	
	R3805	ERJ2GEJ472	M 4.7KOHM, J, 0.063W	1	
	R3806	ERJ2GEJ473	M 47KOHM, J, 0.063W	1	
	R3807	ERJ2GEJ100	M 10 OHM, J, 0.063W	1	
	R3808	ERJ2GEJ100	M 10 OHM, J, 0.063W	1	
	R3809	ERJ2GEJ102X	M 1K OHM J 1/4W	1	
	R3810	ERJ2GEJ102X	M 1K OHM J 1/4W	1	
	R3811	D1BB4701A055	M 4.7KOHM, 1/10W	1	
	R3812	ERJ2GEJ103	M 10KOHM, J, 0.063W	1	
	R3814	ERJ2GEJ472	M 4.7KOHM, J, 0.063W	1	
	R3815	DOYAR0000007	M 0 OHM 1/4W	1	
	R3818	ERJ2GEJ103	M 10KOHM, J, 0.063W	1	
	R3821	ERJ2RKD330	M 33 OHM, J, 2W	1	

Safety	Ref. No.	Part No.	Part Name & Description	Pcs	Remarks
	R3822	ERJ2GEJ102X	M 1K OHM J 1/4W	1	
	R3823	ERJ2GEJ103	M 10KOHM, J, 0.063W	1	
	R3824	D0GA2R7JA014	M 2.7OHM, J, 0.063W	1	
	R3825	D0GA2R7JA014	M 2.7OHM, J, 0.063W	1	
	R3826	D0GA2R7JA014	M 2.7OHM, J, 0.063W	1	
	R3827	D0GA2R7JA014	M 2.7OHM, J, 0.063W	1	
	R3828	D0GA2R7JA014	M 2.7OHM, J, 0.063W	1	
	R3829	D0GA2R7JA014	M 2.7OHM, J, 0.063W	1	
	R3830	D0GA2R7JA014	M 2.7OHM, J, 0.063W	1	
	R3831	D0GA2R7JA014	M 2.7OHM, J, 0.063W	1	
	R3832	ERJ2GEJ472	M 4.7KOHM, J, 0.063W	1	
	R3840	ERJ2GEJ100	M 10 OHM, J, 0.063W	1	
	R3841	ERJ2GEJ100	M 10 OHM, J, 0.063W	1	
	R3845	ERJ2GEJ472	M 4.7KOHM, J, 0.063W	1	
	R3847	D0YAR0000007	M 0 OHM 1/4W	1	
	R4158	D0YAR0000007	M 0 OHM 1/4W	1	
	R4208	EXB2HV680J	RESISTOR ARRAY	1	
	R4209	EXB2HV680J	RESISTOR ARRAY	1	
	R4232	ERJ2GEJ220	M 22 OHM, J, 0.063W	1	
	R4240	ERJ2GEJ680	M 68 OHM, J, 0.063W	1	
	R4241	ERJ2GEJ680	M 68 OHM, J, 0.063W	1	
	R4277	ERJ2GEJ680	M 68 OHM, J, 0.063W	1	
	R4278	ERJ2GEJ680	M 68 OHM, J, 0.063W	1	
	R4279	ERJ2GEJ470	M 47 OHM, J, 0.063W	1	
	R4281	ERJ2GEJ680	M 68 OHM, J, 0.063W	1	
	R4282	ERJ2GEJ680	M 68 OHM, J, 0.063W	1	
	R4288	ERJ2GEJ473	M 47KOHM, J, 0.063W	1	
	R4291	ERJ2GEJ103	M 10KOHM, J, 0.063W	1	
	R4302	ERJ2RKD330	M 33 OHM, J, 2W	1	
	R4303	ERJ2GEJ680	M 68 OHM, J, 0.063W	1	
	R4327	ERJ2GEJ473	M 47KOHM, J, 0.063W	1	
	R4332	ERJ2GEJ473	M 47KOHM, J, 0.063W	1	
	R4333	ERJ2GEJ473	M 47KOHM, J, 0.063W	1	
	R4334	ERJ2GEJ101	M 100 OHM, J, 0.063W	1	
	R4335	ERJ2GEJ332	M 3.3KOHM, J, 0.063W	1	
	R4341	ERJ2GEJ334	M 330KOHM, J, 1/16W	1	
	R4342	D0YAR0000007	M 0 OHM 1/4W	1	
	R4500	ERJ2GEJ103	M 10KOHM, J, 0.063W	1	
	R4501	ERJ2GEJ103	M 10KOHM, J, 0.063W	1	
	R4502	ERJ2RKD330	M 33 OHM, J, 2W	1	
	R4503	ERJ2RKD330	M 33 OHM, J, 2W	1	
	R4506	ERJ2GEJ103	M 10KOHM, J, 0.063W	1	
	R4507	ERJ2GEJ103	M 10KOHM, J, 0.063W	1	
	R4524	ERJ2GEJ103	M 10KOHM, J, 0.063W	1	

Safety	Ref. No.	Part No.	Part Name & Description	Pcs	Remarks
	R4525	ERJ2GEJ103	M 10KOHM, J, 0.063W	1	
	R4526	ERJ2GEJ102X	M 1K OHM J 1/4W	1	
	R4527	ERJ2GEJ102X	M 1K OHM J 1/4W	1	
	R4528	ERJ2GEJ103	M 10KOHM, J, 0.063W	1	
	R4530	ERJ2GEJ103	M 10KOHM, J, 0.063W	1	
	R4538	ERJ2GEJ473	M 47KOHM, J, 0.063W	1	
	R4540	ERJ2GEJ473	M 47KOHM, J, 0.063W	1	
	R4552	ERJ2GEJ220	M 22 OHM, J, 0.063W	1	
	R4587	D1BB60400001	M 604 OHM, 1/10W	1	
	R4588	ERJ3EKF8060	M 806 OHM, 1/16W	1	
	R4589	ERJ3EKF8060	M 806 OHM, 1/16W	1	
	R4590	ERJ2GEJ103	M 10KOHM, J, 0.063W	1	
	R4591	ERJ2GEJ103	M 10KOHM, J, 0.063W	1	
	R4592	ERJ3EKF8060	M 806 OHM, 1/16W	1	
	R4593	D1BB2201A055	M 2.2KOHM, 1/10W	1	
	R4596	D0GD102JA036	M 1.0KOHM, J, 0.25W	1	
	R4597	D0GD102JA036	M 1.0KOHM, J, 0.25W	1	
	R4598	D0GD102JA036	M 1.0KOHM, J, 0.25W	1	
	R4601	D0GD102JA036	M 1.0KOHM, J, 0.25W	1	
	R4605	D1BB2201A055	M 2.2KOHM, 1/10W	1	
	R4606	D1BB1203A055	M 120KOHM, 1/10W	1	
	R4608	D0GD102JA036	M 1.0KOHM, J, 0.25W	1	
	R4609	ERJ2GEJ122	M 1.2KOHM, J, 0.063W	1	
	R4611	D1BB7502A055	M 75KOHM, 1/10W	1	
	R4614	D0YAR0000007	M 0 OHM 1/4W	1	
	R4615	ERJ2GEJ104	M 100KOHM, J, 0.063W	1	
	R4619	D0YAR0000007	M 0 OHM 1/4W	1	
	R4620	ERJ2GEJ104	M 100KOHM, J, 0.063W	1	
	R4622	ERJ2GEJ102X	M 1K OHM J 1/4W	1	
	R4624	ERJ2GEJ103	M 10KOHM, J, 0.063W	1	
	R4625	D0GD103JA036	M 10KOHM, J, 0.25W	1	
	R4626	D1BB2200A055	M 220 OHM, 1/10W	1	
	R4627	D1BB2200A055	M 220 OHM, 1/10W	1	
	R4631	D1BB4990A055	M 499 OHM, 1/10W	1	
	R4634	D1BB2200A055	M 220 OHM, 1/10W	1	
	R4635	EXB28V680JX	RESISTOR ARRAY	1	
	R4636	ERJ2GEJ680	M 68 OHM, J, 0.063W	1	
	R4637	ERJ2GEJ680	M 68 OHM, J, 0.063W	1	
	R4638	ERJ2GEJ680	M 68 OHM, J, 0.063W	1	
	R4639	EXB28V680JX	RESISTOR ARRAY	1	
	R4640	EXB28V680JX	RESISTOR ARRAY	1	
	R4641	ERJ2GEJ220	M 22 OHM, J, 0.063W	1	
	R4642	ERJ2GEJ103	M 10KOHM, J, 0.063W	1	
	R4643	ERJ2GEJ220	M 22 OHM, J, 0.063W	1	
	R4645	ERJ2GEJ680	M 68 OHM, J, 0.063W	1	
	R4646	ERJ2GEJ680	M 68 OHM, J, 0.063W	1	
	R4647	ERJ2GEJ473	M 47KOHM, J, 0.063W	1	
	R4648	EXB28V330J	RESISTOR ARRAY	1	
	R4649	EXB28V680JX	RESISTOR ARRAY	1	
	R4650	ERJ2GEJ680	M 68 OHM, J, 0.063W	1	

Safety	Ref. No.	Part No.	Part Name & Description	Pcs	Remarks
	R4651	ERJ2GEJ680	M 68 OHM, J, 0.063W	1	
	R4652	ERJ2GEJ473	M 47KOHM, J, 0.063W	1	
	R4653	DOYAR0000007	M 0 OHM 1/4W	1	
	R4656	ERJ2GEJ222	M 2.2KOHM, J, 0.063W	1	
	R4657	ERJ2GEJ220	M 22 OHM, J, 0.063W	1	
	R4658	ERJ2GEJ220	M 22 OHM, J, 0.063W	1	
	R4661	DOYAR0000007	M 0 OHM 1/4W	1	
	R4663	DOYAR0000007	M 0 OHM 1/4W	1	
	R4664	D1BB60400001	M 604 OHM, 1/10W	1	
	R4665	ERJ2GEJ473	M 47KOHM, J, 0.063W	1	
	R4666	ERJ2GEJ473	M 47KOHM, J, 0.063W	1	
	R4670	ERJ2GEJ680	M 68 OHM, J, 0.063W	1	
	R4672	ERJ2GEJ103	M 10KOHM, J, 0.063W	1	
	R4674	ERJ2RHD272	M 2.7KOHM, J, 2W	1	
	R4677	ERJ2RHD272	M 2.7KOHM, J, 2W	1	
	R4678	EXB28V680JX	RESISTOR ARRAY	1	
	R4679	EXB28V680JX	RESISTOR ARRAY	1	
	R4680	ERJ2GEJ680	M 68 OHM, J, 0.063W	1	
	R4681	ERJ2GEJ104	M 100KOHM, J, 0.063W	1	
	R4682	ERJ2GEJ104	M 100KOHM, J, 0.063W	1	
	R4683	ERJ2GEJ103	M 10KOHM, J, 0.063W	1	
	R4685	ERJ2GEJ103	M 10KOHM, J, 0.063W	1	
	R4686	ERJ2RHD272	M 2.7KOHM, J, 2W	1	
	R4687	ERJ2RHD272	M 2.7KOHM, J, 2W	1	
	R4699	ERJ2GEJ680	M 68 OHM, J, 0.063W	1	
	R4819	ERJ2GEJ220	M 22 OHM, J, 0.063W	1	
	R4820	ERJ2GEJ220	M 22 OHM, J, 0.063W	1	
	R4821	ERJ2GEJ103	M 10KOHM, J, 0.063W	1	
	R4832	ERJ2GEJ101	M 100 OHM, J, 0.063W	1	
	R4833	ERJ2GEJ104	M 100KOHM, J, 0.063W	1	
	R4834	ERJ2GEJ102X	M 1K OHM J 1/4W	1	
	R4841	ERJ2GEJ104	M 100KOHM, J, 0.063W	1	
	R4842	ERJ2GEJ102X	M 1K OHM J 1/4W	1	
	R4844	ERJ2GEJ101	M 100 OHM, J, 0.063W	1	
	R4853	ERJ2GEJ104	M 100KOHM, J, 0.063W	1	
	R4856	ERJ2GEJ103	M 10KOHM, J, 0.063W	1	
	R4857	ERJ2GEJ473	M 47KOHM, J, 0.063W	1	
	R4860	ERJ2GEJ473	M 47KOHM, J, 0.063W	1	
	R4861	ERJ2GEJ473	M 47KOHM, J, 0.063W	1	
	R4862	ERJ2GEJ103	M 10KOHM, J, 0.063W	1	
	R4863	ERJ2GEJ103	M 10KOHM, J, 0.063W	1	
	R4864	ERJ2GEJ473	M 47KOHM, J, 0.063W	1	
	R4865	ERJ2GEJ473	M 47KOHM, J, 0.063W	1	
	R4866	ERJ2GEJ103	M 10KOHM, J, 0.063W	1	
	R4867	ERJ2GEJ103	M 10KOHM, J, 0.063W	1	

Safety	Ref. No.	Part No.	Part Name & Description	Pcs	Remarks
	R5400	ERJ2GEJ104	M 100KOHM, J, 0.063W	1	
	R5401	D1BA3321A014	M 3.3KOHM, 1/10W	1	
	R5402	D1BB4532A055	M4.53KOHM, 1/10W	1	
	R5403	D1BB1002A055	M 10KOHM, 1/10W	1	
	R5405	ERJ2GEJ104	M 100KOHM, J, 0.063W	1	
	R5406	D1BA5621A014	M 5.6KOHM, 1/10W	1	
	R5407	D1BB8872A055	M8.87KOHM, 1/10W	1	
	R5408	D1BB1002A055	M 10KOHM, 1/10W	1	
	R5431	DOYAR0000007	M 0 OHM 1/4W	1	
	R5433	D1BB1002A055	M 10KOHM, 1/10W	1	
	R5434	D1BB2702A055	M 27KOHM, 1/10W	1	
	R5435	D1BA3321A014	M 3.3KOHM, 1/10W	1	
	R5441	DOYAR0000007	M 0 OHM 1/4W	1	
	R5443	D1BB1002A055	M 10KOHM, 1/10W	1	
	R5444	D1BB2201A055	M 2.2KOHM, 1/10W	1	
	R5445	ERJ2GEJ472	M 4.7KOHM, J, 0.063W	1	
	R5451	D1BB5602A055	M 56KOHM, 1/10W	1	
	R5452	D1BB4702A055	M 47KOHM, 1/10W	1	
	R5453	D1BB3002A055	M 30KOHM, 1/10W	1	
	R5456	DOYAR0000007	M 0 OHM 1/4W	1	
	R5459	DOYAR0000007	M 0 OHM 1/4W	1	
	R5535	ERJ2GEJ222	M 2.2KOHM, J, 0.063W	1	
	R5536	ERJ2GEJ472	M 4.7KOHM, J, 0.063W	1	
	R5537	ERJ2GEJ681	M 680 OHM, J, 0.063W	1	
	R5538	ERJ2GEJ122	M 1.2KOHM, J, 0.063W	1	
	R5542	D0GD471JA036	M 470 OHM, J 0.25W	1	
	R5544	D0GD221JA036	M 220 OHM, J 0.25W	1	
	R5550	D0GD102JA036	M 1.0KOHM, J, 0.25W	1	
	R5556	ERJ2GEJ222	M 2.2KOHM, J, 0.063W	1	
	R5557	ERJ2GEJ473	M 47KOHM, J, 0.063W	1	
	R5558	ERJ2RHD272	M 2.7KOHM, J, 2W	1	
	R5559	ERJ2GEJ103	M 10KOHM, J, 0.063W	1	
	R5560	ERJ2GEJ103	M 10KOHM, J, 0.063W	1	
	R5561	ERJ2GEJ103	M 10KOHM, J, 0.063W	1	
	R5565	ERJ2GEJ103	M 10KOHM, J, 0.063W	1	
	R5566	ERJ2GEJ103	M 10KOHM, J, 0.063W	1	
	R5567	ERJ2GEJ473	M 47KOHM, J, 0.063W	1	
	R5569	ERJ2GEJ103	M 10KOHM, J, 0.063W	1	
	R5570	ERJ2GEJ103	M 10KOHM, J, 0.063W	1	
	R5571	ERJ2GEJ473	M 47KOHM, J, 0.063W	1	
	R5572	ERJ2GEJ222	M 2.2KOHM, J, 0.063W	1	
	R5573	ERJ2GEJ472	M 4.7KOHM, J, 0.063W	1	
	R5574	ERJ2GEJ103	M 10KOHM, J, 0.063W	1	
	R5575	ERJ2GEJ473	M 47KOHM, J, 0.063W	1	
	R5576	ERJ2GEJ473	M 47KOHM, J, 0.063W	1	
	R5577	ERJ2GEJ473	M 47KOHM, J, 0.063W	1	
	R5578	ERJ2GEJ473	M 47KOHM, J, 0.063W	1	
	R5579	ERJ2GEJ473	M 47KOHM, J, 0.063W	1	
	R5580	ERJ2GEJ102X	M 1K OHM J 1/4W	1	

Safety	Ref. No.	Part No.	Part Name & Description	Pcs	Remarks
	R5581	ERJ2GEJ473	M 47KOHM, J,0.063W	1	
	R5582	ERJ2GEJ473	M 47KOHM, J,0.063W	1	
	R5583	ERJ2GEJ473	M 47KOHM, J,0.063W	1	
	R5600	ERJ2GEJ680	M 68 OHM, J,0.063W	1	
	R5604	D1BB4702A055	M 47KOHM, 1/10W	1	
	R5605	D1BB1272A055	M12.7KOHM, 1/10W	1	
	R5606	D0YAR0000007	M 0 OHM 1/4W	1	
	R5607	D0YAR0000007	M 0 OHM 1/4W	1	
	R5610	ERJ2GEJ104	M 100KOHM, J,0.063W	1	
	R5611	D1BB4702A055	M 47KOHM, 1/10W	1	
	R5612	D1BB3602A055	M 36KOHM, 1/10W	1	
	R5619	D0YAR0000007	M 0 OHM 1/4W	1	
	R5620	ERJ2GEJ680	M 68 OHM, J,0.063W	1	
	R5621	D1BB3602A055	M 36KOHM, 1/10W	1	
	R5622	ERJ2GEJ104	M 100KOHM, J,0.063W	1	
	R5623	D1BB2802A055	M 28KOHM, 1/10W	1	
	R5625	D0YAR0000007	M 0 OHM 1/4W	1	
	R5626	D0YAR0000007	M 0 OHM 1/4W	1	
	R5627	D0YAR0000007	M 0 OHM 1/4W	1	
	R5628	D0YAR0000007	M 0 OHM 1/4W	1	
	R5629	D1BB2802A055	M 28KOHM, 1/10W	1	
	R5630	D1BB4752A055	M47.5KOHM, 1/10W	1	
	R5631	D1BB3602A055	M 36KOHM, 1/10W	1	
	R5632	D1BB3002A055	M 30KOHM, 1/10W	1	
	R5633	D1BB4702A055	M 47KOHM, 1/10W	1	
	R5634	D1BB3602A055	M 36KOHM, 1/10W	1	
	R5635	ERJ2GEJ223	M 22KOHM, J,0.063W	1	
	R5636	ERJ2GEJ683	M 68KOHM, J,0.063W	1	
	R5646	ERJ2GEJ103	M 10KOHM, J,0.063W	1	
	R5647	ERJ2GEJ473	M 47KOHM, J,0.063W	1	
	R5657	ERJ2GEJ222	M 2.2KOHM, J,0.063W	1	
	R5658	ERJ2GEJ473	M 47KOHM, J,0.063W	1	
	R5659	ERJ2GEJ103	M 10KOHM, J,0.063W	1	
	R5660	ERJ2GEJ103	M 10KOHM, J,0.063W	1	
	R5661	ERJ2GEJ123	M 12KOHM, J,0.063W	1	
	R5662	ERJ2GEJ473	M 47KOHM, J,0.063W	1	
	R5664	D0YAR0000007	M 0 OHM 1/4W	1	
	R5691	D0GB103JA041	M 10K OHM J 1/16W	1	
	R5693	D0GB473JA041	M 47KOHM J. 1/16W	1	
	R5695	D0GB102JA041	M 1KOHM, J,1/16W	1	
	R5697	D0GB103JA041	M 10K OHM J 1/16W	1	
	R5698	D0GDR00Z0002	M 0 OHM, 1/10W	1	
	R5699	D0GDR00Z0002	M 0 OHM, 1/10W	1	
	R5702	ERJ2GEJ222	M 2.2KOHM, J,0.063W	1	
	R5732	ERJ2GED273X	M 27KOHM, J,0.063W	1	
	R5733	ERJ2GED563X	M 56KOHM, J,0.063W	1	
	R5763	ERJ2GEJ101	M 100 OHM, J,0.063W	1	
	R7701	ERJ3GEYJ680	M 68 OHM, J,1/16W	1	
	R7702	D0GBR00Z0002	M 0 OHM J 1/16W	1	
	R7703	ERJ3GEYJ680	M 68 OHM, J,1/16W	1	
	R7704	ERJ3GEYJ680	M 68 OHM, J,1/16W	1	
	R7705	ERJ3GEYJ680	M 68 OHM, J,1/16W	1	
	R7708	D0GBR00Z0002	M 0 OHM J 1/16W	1	
	R7709	ERJ3GEYJ680	M 68 OHM, J,1/16W	1	

Safety	Ref. No.	Part No.	Part Name & Description	Pcs	Remarks
	R7710	D0GB101JA041	M 100 OHM, J,1/16W	1	
	R7713	D0GBR00Z0002	M 0 OHM J 1/16W	1	
	R7716	D0GBR00Z0002	M 0 OHM J 1/16W	1	
	R7731	D0GBR00Z0002	M 0 OHM J 1/16W	1	
	R7791	D0GBR00Z0002	M 0 OHM J 1/16W	1	
	R7792	D0GBR00Z0002	M 0 OHM J 1/16W	1	
	R7793	D0GBR00Z0002	M 0 OHM J 1/16W	1	
	R7794	D0GBR00Z0002	M 0 OHM J 1/16W	1	
	R7795	D0GBR00Z0002	M 0 OHM J 1/16W	1	
	R7796	D0GBR00Z0002	M 0 OHM J 1/16W	1	
	R8004	D1BB2402A055	M 24KOHM, 1/10W	1	
	R8005	D1BB1002A055	M 10KOHM, 1/10W	1	
	R8006	D1BB2402A055	M 24KOHM, 1/10W	1	
	R8026	D0YAR0000007	M 0 OHM 1/4W	1	
	R8027	D0YAR0000007	M 0 OHM 1/4W	1	
	R8030	ERJ2GEJ101	M 100 OHM, J,0.063W	1	
	R8031	ERJ2RKF1001	D1BA1001A014	1	
	R8032	ERJ2RKF1001	D1BA1001A014	1	
	R8035	D0YAR0000007	M 0 OHM 1/4W	1	
	R8036	D0GBR00Z0002	M 0 OHM J 1/16W	1	
	R8056	ERJ2GEJ470	M 47 OHM, J,0.063W	1	
	R8057	ERJ2GEJ470	M 47 OHM, J,0.063W	1	
	R8058	ERJ2GEJ470	M 47 OHM, J,0.063W	1	
	R8059	ERJ2GEJ470	M 47 OHM, J,0.063W	1	
	R8060	ERJ2GEJ470	M 47 OHM, J,0.063W	1	
	R8061	ERJ2GEJ470	M 47 OHM, J,0.063W	1	
	R8062	ERJ2GEJ470	M 47 OHM, J,0.063W	1	
	R8063	ERJ2GEJ470	M 47 OHM, J,0.063W	1	
	R8064	ERJ2GEJ470	M 47 OHM, J,0.063W	1	
	R8065	ERJ2GEJ470	M 47 OHM, J,0.063W	1	
	R8066	ERJ2GEJ470	M 47 OHM, J,0.063W	1	
	R8067	ERJ2GEJ470	M 47 OHM, J,0.063W	1	
	R8068	ERJ2GEJ470	M 47 OHM, J,0.063W	1	
	R8069	ERJ2GEJ470	M 47 OHM, J,0.063W	1	
	R8070	ERJ2GEJ470	M 47 OHM, J,0.063W	1	
	R8071	ERJ2GEJ470	M 47 OHM, J,0.063W	1	
	R8072	ERJ2GEJ470	M 47 OHM, J,0.063W	1	
	R8073	ERJ2GEJ470	M 47 OHM, J,0.063W	1	
	R8074	ERJ2GEJ221	M 220 OHM, J,0.063W	1	
	R8075	ERJ2GEJ470	M 47 OHM, J,0.063W	1	
	R8076	ERJ2GEJ470	M 47 OHM, J,0.063W	1	
	R8077	ERJ2GEJ470	M 47 OHM, J,0.063W	1	
	R8078	ERJ2GEJ470	M 47 OHM, J,0.063W	1	
	R8081	ERJ2GEJ103	M 10KOHM, J,0.063W	1	
	R8082	D1BA75R0A014	M0.75KOHM, 1/10W	1	
	R8083	ERJ2GEJ301	M 300 OHM, J,0.063W	1	
	R8086	ERJ2GEJ104	M 100KOHM, J,0.063W	1	
	R8088	ERJ2GEJ103	M 10KOHM, J,0.063W	1	
	R8090	ERJ2GEJ103	M 10KOHM, J,0.063W	1	

Safety	Ref. No.	Part No.	Part Name & Description	Pcs	Remarks
	R8091	ERJ2GEJ101	M 100 OHM, J, 0.063W	1	
	R8093	ERJ2GEJ470	M 47 OHM, J, 0.063W	1	
	R8095	ERJ2GEJ103	M 10KOHM, J, 0.063W	1	
	R8097	ERJ2GEJ221	M 220 OHM, J, 0.063W	1	
	R8100	ERJ2GEJ470	M 47 OHM, J, 0.063W	1	
	R8101	ERJ2GEJ103	M 10KOHM, J, 0.063W	1	
	R8109	ERJ2GEJ470	M 47 OHM, J, 0.063W	1	
	R8194	ERJ2GEJ680	M 68 OHM, J, 0.063W	1	
	R8195	ERJ2GEJ680	M 68 OHM, J, 0.063W	1	
	R8196	ERJ2GEJ102X	M 1K OHM J 1/4W	1	
	R8208	ERJ2GEJ680	M 68 OHM, J, 0.063W	1	
	R8242	DOYAR0000007	M 0 OHM 1/4W	1	
	R8250	ERJ2GEJ103	M 10KOHM, J, 0.063W	1	
	R8255	ERJ2GEJ103	M 10KOHM, J, 0.063W	1	
	R8260	ERJ2GEJ102X	M 1K OHM J 1/4W	1	
	R8264	ERJ2GEJ103	M 10KOHM, J, 0.063W	1	
	R8266	ERJ2GEJ103	M 10KOHM, J, 0.063W	1	
	R8267	EXB2HV103JV	RESISTOR ARRAY	1	
	R8268	ERJ2GEJ103	M 10KOHM, J, 0.063W	1	
	R8269	ERJ2GEJ103	M 10KOHM, J, 0.063W	1	
	R8272	ERJ2GEJ103	M 10KOHM, J, 0.063W	1	
	R8273	ERJ2GEJ103	M 10KOHM, J, 0.063W	1	
	R8279	ERJ2GEJ680	M 68 OHM, J, 0.063W	1	
	R8280	ERJ2GEJ102X	M 1K OHM J 1/4W	1	
	R8285	ERJ2GEJ103	M 10KOHM, J, 0.063W	1	
	R8301	EXB2HV680J	RESISTOR ARRAY	1	
	R8305	ERJ2GEJ223	M 22KOHM, J, 0.063W	1	
	R8306	ERJ2GEJ472	M 4.7KOHM, J, 0.063W	1	
	R8307	ERJ2GEJ472	M 4.7KOHM, J, 0.063W	1	
	R8308	ERJ2GEJ103	M 10KOHM, J, 0.063W	1	
	R8310	ERJ2GEJ220	M 22 OHM, J, 0.063W	1	
	R8311	ERJ2GEJ220	M 22 OHM, J, 0.063W	1	
	R8314	ERJ2GEJ101	M 100 OHM, J, 0.063W	1	
	R8315	ERJ2GEJ101	M 100 OHM, J, 0.063W	1	
	R8318	ERJ2GEJ472	M 4.7KOHM, J, 0.063W	1	
	R8321	ERJ2GEJ103	M 10KOHM, J, 0.063W	1	
	R8322	ERJ2GEJ102X	M 1K OHM J 1/4W	1	
	R8323	ERJ2GEJ473	M 47KOHM, J, 0.063W	1	
	R8324	ERJ2GEJ473	M 47KOHM, J, 0.063W	1	
	R8325	ERJ2GEJ100	M 10 OHM, J, 0.063W	1	
	R8326	ERJ2GEJ680	M 68 OHM, J, 0.063W	1	
	R8327	ERJ2GEJ680	M 68 OHM, J, 0.063W	1	
	R8328	ERJ2GEJ103	M 10KOHM, J, 0.063W	1	

Safety	Ref. No.	Part No.	Part Name & Description	Pcs	Remarks
	R8329	ERJ2GEJ473	M 47KOHM, J, 0.063W	1	
	R8332	EXB2HV101J	RESISTOR ARRAY	1	
	R8333	EXB2HV101J	RESISTOR ARRAY	1	
	R8335	EXB2HV680J	RESISTOR ARRAY	1	
	R8336	EXB2HV680J	RESISTOR ARRAY	1	
	R8337	EXB28V680JX	RESISTOR ARRAY	1	
	R8338	ERJ2GEJ680	M 68 OHM, J, 0.063W	1	
	R8339	ERJ2GEJ680	M 68 OHM, J, 0.063W	1	
	R8345	ERJ2GEJ103	M 10KOHM, J, 0.063W	1	
	R8347	DOYAR0000007	M 0 OHM 1/4W	1	
	R8353	ERJ2GEJ101	M 100 OHM, J, 0.063W	1	
	R8354	ERJ2GEJ101	M 100 OHM, J, 0.063W	1	
	R8356	DOYAR0000007	M 0 OHM 1/4W	1	
	R8361	ERJ2RKD330	M 33 OHM, J, 2W	1	
	R8362	ERJ2RKD330	M 33 OHM, J, 2W	1	
	R8404	ERJ2GEJ103	M 10KOHM, J, 0.063W	1	
	R8405	ERJ2GEJ103	M 10KOHM, J, 0.063W	1	
	R8406	DOGFR10JA020	M 1 OHM, J, 0.33W	1	PAVCCZ
	R8407	ERJ2GEJ473	M 47KOHM, J, 0.063W	1	
	R8410	ERJ2GEJ223	M 22KOHM, J, 0.063W	1	
	R8411	ERJ2GEJ223	M 22KOHM, J, 0.063W	1	
	R8416	ERJ2GEJ223	M 22KOHM, J, 0.063W	1	
	R8417	ERJ2GEJ104	M 100KOHM, J, 0.063W	1	
	R8418	ERJ2GEJ681	M 680 OHM, J, 0.063W	1	
	R8421	ERJ2GEJ680	M 68 OHM, J, 0.063W	1	
	R8422	ERJ2GEJ680	M 68 OHM, J, 0.063W	1	
	R8423	ERJ2GEJ680	M 68 OHM, J, 0.063W	1	
	R8424	ERJ2GEJ680	M 68 OHM, J, 0.063W	1	
	R8425	ERJ2GEJ680	M 68 OHM, J, 0.063W	1	
	R8430	ERJ2GEJ101	M 100 OHM, J, 0.063W	1	
	R8431	ERJ2GEJ151	M 150 OHM, J, 0.063W	1	
	R8432	ERJ2GEJ151	M 150 OHM, J, 0.063W	1	
	R8433	ERJ2GEJ223	M 22KOHM, J, 0.063W	1	
	R8434	ERJ2GEJ473	M 47KOHM, J, 0.063W	1	
	R8435	ERJ2GEJ103	M 10KOHM, J, 0.063W	1	
	R8436	ERJ2GEJ103	M 10KOHM, J, 0.063W	1	
	R8437	EXB2HV104JV	RESISTOR ARRAY	1	
	R8438	ERJ2GEJ104	M 100KOHM, J, 0.063W	1	
	R8439	ERJ2GEJ680	M 68 OHM, J, 0.063W	1	
	R8440	ERJ2GEJ104	M 100KOHM, J, 0.063W	1	
	R8441	EXB2HV680J	RESISTOR ARRAY	1	
	R8442	ERJ2GEJ680	M 68 OHM, J, 0.063W	1	
	R8443	EXB2HV680J	RESISTOR ARRAY	1	
	R8445	ERJ2GEJ104	M 100KOHM, J, 0.063W	1	
	R8446	ERJ2GEJ680	M 68 OHM, J, 0.063W	1	
	R8449	ERJ2GEJ680	M 68 OHM, J, 0.063W	1	

Safety	Ref. No.	Part No.	Part Name & Description	Pcs	Remarks
	R8450	ERJ2GEJ103	M 10KOHM, J,0.063W	1	
	R8454	EXB28V151J	RESISTOR ARRAY	1	
	R8456	ERJ2GEJ680	M 68 OHM, J,0.063W	1	
	R8457	ERJ2GEJ680	M 68 OHM, J,0.063W	1	
	R8458	ERJ2GEJ680	M 68 OHM, J,0.063W	1	
	R8459	ERJ2GEJ680	M 68 OHM, J,0.063W	1	
	R8460	ERJ2GEJ680	M 68 OHM, J,0.063W	1	
	R8461	ERJ2GEJ680	M 68 OHM, J,0.063W	1	
	R8463	EXB28V151J	RESISTOR ARRAY	1	
	R8465	ERJ2GEJ103	M 10KOHM, J,0.063W	1	
	R8466	ERJ2GEJ103	M 10KOHM, J,0.063W	1	
	R8468	DOYAR0000007	M 0 OHM 1/4W	1	
	R8471	ERJ2GEJ103	M 10KOHM, J,0.063W	1	
	R8476	ERJ2GEJ103	M 10KOHM, J,0.063W	1	
	R8477	ERJ2GEJ103	M 10KOHM, J,0.063W	1	
	R8479	ERJ2GEJ103	M 10KOHM, J,0.063W	1	
	R8501	ERJ2GEJ101	M 100 OHM, J,0.063W	1	
	R8502	ERJ2GEJ331	M 330 OHM, J,0.063W	1	
	R8503	ERJ2GEJ331	M 330 OHM, J,0.063W	1	
	R8504	ERJ2GEJ331	M 330 OHM, J,0.063W	1	
	R8506	ERJ2GEJ331	M 330 OHM, J,0.063W	1	
	R8510	D1BB1600A055	M 160 OHM, 1/10W	1	PAVCCZ
	R8556	ERJ2GEJ103	M 10KOHM, J,0.063W	1	
	R8564	ERJ2GEJ103	M 10KOHM, J,0.063W	1	
	R8567	ERJ2GEJ103	M 10KOHM, J,0.063W	1	
	R8601	ERJ2GEJ220	M 22 OHM, J,0.063W	1	
	R8602	ERJ2GEJ220	M 22 OHM, J,0.063W	1	
	R8603	ERJ2GEJ473	M 47KOHM, J,0.063W	1	
	R8605	ERJ2GEJ680	M 68 OHM, J,0.063W	1	
	R8657	ERJ2GEJ103	M 10KOHM, J,0.063W	1	
	R8658	ERJ2GEJ220	M 22 OHM, J,0.063W	1	
	R8659	ERJ2GEJ103	M 10KOHM, J,0.063W	1	
	R8710	ERJ2GEJ680	M 68 OHM, J,0.063W	1	
	R8751	ERJ2GEJ102X	M 1K OHM J 1/4W	1	
	R8802	ERJ2GEJ103	M 10KOHM, J,0.063W	1	
	R8803	ERJ2GEJ103	M 10KOHM, J,0.063W	1	
	R8804	ERJ2GEJ103	M 10KOHM, J,0.063W	1	
	R8805	ERJ2GEJ103	M 10KOHM, J,0.063W	1	
	R8806	ERJ2GEJ103	M 10KOHM, J,0.063W	1	
	R8807	ERJ2GEJ103	M 10KOHM, J,0.063W	1	
	R8808	ERJ2GEJ103	M 10KOHM, J,0.063W	1	
	R8809	ERJ2GEJ103	M 10KOHM, J,0.063W	1	
	R8810	EXB28VR000X	RESISTOR ARRAY	1	

Safety	Ref. No.	Part No.	Part Name & Description	Pcs	Remarks
	R8811	DOYAR0000007	M 0 OHM 1/4W	1	
	R8812	DOYAR0000007	M 0 OHM 1/4W	1	
	R8813	EXB28V680JX	RESISTOR ARRAY	1	
	R8814	ERJ2GEJ680	M 68 OHM, J,0.063W	1	
	R8815	ERJ2GEJ680	M 68 OHM, J,0.063W	1	
	R8816	ERJ2GEJ680	M 68 OHM, J,0.063W	1	
	R8817	ERJ2GEJ680	M 68 OHM, J,0.063W	1	
	R8833	DOGBR00Z0002	M 0 OHM J 1/16W	1	
	R8851	DOYAR0000007	M 0 OHM 1/4W	1	
	R8852	DOYAR0000007	M 0 OHM 1/4W	1	
	R8853	DOYAR0000007	M 0 OHM 1/4W	1	
	R8855	ERJ2GEJ680	M 68 OHM, J,0.063W	1	
	R8856	ERJ2GEJ680	M 68 OHM, J,0.063W	1	
	R8857	ERJ2GEJ680	M 68 OHM, J,0.063W	1	
	R8858	ERJ2GEJ680	M 68 OHM, J,0.063W	1	
	R8859	ERJ2GEJ680	M 68 OHM, J,0.063W	1	
	R8860	ERJ2GEJ680	M 68 OHM, J,0.063W	1	
	R8861	ERJ2GEJ103	M 10KOHM, J,0.063W	1	
	R8862	ERJ2GEJ680	M 68 OHM, J,0.063W	1	
	R8863	ERJ2GEJ680	M 68 OHM, J,0.063W	1	
	R8864	ERJ2GEJ680	M 68 OHM, J,0.063W	1	
	R8865	EXB2HV680J	RESISTOR ARRAY	1	
	R8866	EXB2HV680J	RESISTOR ARRAY	1	
	R8867	EXB2HV680J	RESISTOR ARRAY	1	
	R8868	ERJ2GEJ680	M 68 OHM, J,0.063W	1	
	R8871	ERJ2GEJ103	M 10KOHM, J,0.063W	1	
	R8873	ERJ2GEJ103	M 10KOHM, J,0.063W	1	
	R8875	ERJ2GEJ103	M 10KOHM, J,0.063W	1	
	R8876	ERJ2GEJ103	M 10KOHM, J,0.063W	1	
	R8877	ERJ2GEJ680	M 68 OHM, J,0.063W	1	
	R8878	ERJ2GEJ680	M 68 OHM, J,0.063W	1	
	R8879	ERJ2GEJ680	M 68 OHM, J,0.063W	1	
	R8880	ERJ2GEJ680	M 68 OHM, J,0.063W	1	
	R8882	ERJ2GEJ680	M 68 OHM, J,0.063W	1	
	R8883	ERJ2GEJ680	M 68 OHM, J,0.063W	1	
	R8884	ERJ2GEJ680	M 68 OHM, J,0.063W	1	
	R8885	ERJ2GEJ680	M 68 OHM, J,0.063W	1	
	R8886	ERJ2GEJ680	M 68 OHM, J,0.063W	1	
	R8887	ERJ2GEJ680	M 68 OHM, J,0.063W	1	
	R8888	ERJ2GEJ680	M 68 OHM, J,0.063W	1	
	R8889	ERJ2GEJ680	M 68 OHM, J,0.063W	1	
	R8890	ERJ2GEJ680	M 68 OHM, J,0.063W	1	
	R8891	ERJ2GEJ680	M 68 OHM, J,0.063W	1	
	R8892	ERJ2GEJ680	M 68 OHM, J,0.063W	1	
	R8894	ERJ2GEJ680	M 68 OHM, J,0.063W	1	

Safety	Ref. No.	Part No.	Part Name & Description	Pcs	Remarks
	R8896	DOYAR0000007	M 0 OHM 1/4W	1	
	R8897	DOYAR0000007	M 0 OHM 1/4W	1	
	R8898	ERJ2GEJ103	M 10KOHM, J,0.063W	1	
	R8900	ERJ2GEJ680	M 68 OHM, J,0.063W	1	
	R8901	ERJ2GEJ680	M 68 OHM, J,0.063W	1	
	R8904	ERJ2GEJ103	M 10KOHM, J,0.063W	1	
	R8905	ERJ2GEJ103	M 10KOHM, J,0.063W	1	
	R8906	ERJ2GEJ103	M 10KOHM, J,0.063W	1	
	R8907	ERJ2GEJ103	M 10KOHM, J,0.063W	1	
	R8908	ERJ2GEJ103	M 10KOHM, J,0.063W	1	
	R8909	ERJ2GEJ103	M 10KOHM, J,0.063W	1	
	R8910	ERJ2GEJ103	M 10KOHM, J,0.063W	1	
	R8911	ERJ2GEJ680	M 68 OHM, J,0.063W	1	
	R8912	ERJ2GEJ680	M 68 OHM, J,0.063W	1	
	R8913	ERJ2GEJ680	M 68 OHM, J,0.063W	1	
	R8914	ERJ2GEJ680	M 68 OHM, J,0.063W	1	
	R8915	ERJ2GEJ680	M 68 OHM, J,0.063W	1	
	R8916	ERJ2GEJ680	M 68 OHM, J,0.063W	1	
	R8917	ERJ2GEJ680	M 68 OHM, J,0.063W	1	
	R8918	ERJ2GEJ680	M 68 OHM, J,0.063W	1	
	R8919	ERJ2GEJ472	M 4.7KOHM, J,0.063W	1	
	R8920	ERJ2GEJ472	M 4.7KOHM, J,0.063W	1	
	R8921	ERJ2GEJ472	M 4.7KOHM, J,0.063W	1	
	R8922	ERJ2GEJ472	M 4.7KOHM, J,0.063W	1	
	R8923	ERJ2GEJ332	M 3.3KOHM, J,0.063W	1	
	R8924	ERJ2GEJ332	M 3.3KOHM, J,0.063W	1	
	R8925	ERJ2GEJ472	M 4.7KOHM, J,0.063W	1	
	R8926	ERJ2GEJ472	M 4.7KOHM, J,0.063W	1	
	R8927	DOYAR0000007	M 0 OHM 1/4W	1	
	R8929	EXB2HVR000	RESISTOR ARRAY	1	
	R8935	ERJ2GEJ103	M 10KOHM, J,0.063W	1	
	R8936	ERJ2GEJ103	M 10KOHM, J,0.063W	1	
	R8937	ERJ2GEJ473	M 47KOHM, J,0.063W	1	
	R8938	ERJ2GEJ103	M 10KOHM, J,0.063W	1	
	R8942	ERJ2GEJ473	M 47KOHM, J,0.063W	1	
	R8943	ERJ2GEJ473	M 47KOHM, J,0.063W	1	
	R8944	ERJ2GEJ223	M 22KOHM, J,0.063W	1	
	R8945	ERJ2GEJ103	M 10KOHM, J,0.063W	1	
	R8946	DOYAR0000007	M 0 OHM 1/4W	1	
	R8947	ERJ2GEJ680	M 68 OHM, J,0.063W	1	
	R8950	DOYAR0000007	M 0 OHM 1/4W	1	
	R8952	EXB2HV680J	RESISTOR ARRAY	1	
	R8953	EXB2HV680J	RESISTOR ARRAY	1	
	R8954	ERJ2GEJ680	M 68 OHM, J,0.063W	1	

Safety	Ref. No.	Part No.	Part Name & Description	Pcs	Remarks
	R8959	ERJ2GEJ680	M 68 OHM, J,0.063W	1	
	R8960	ERJ2GEJ680	M 68 OHM, J,0.063W	1	
	R8963	ERJ2GEJ103	M 10KOHM, J,0.063W	1	
	R9101	ERJ2GEJ102X	M 1K OHM J 1/4W	1	
	R9103	ERJ2GEJ103	M 10KOHM, J,0.063W	1	
	R9105	ERJ2GEJ103	M 10KOHM, J,0.063W	1	
	R9107	ERJ2GEJ332	M 3.3KOHM, J,0.063W	1	
	R9110	ERJ2GEJ102X	M 1K OHM J 1/4W	1	
	R9112	ERJ2GEJ470	M 47 OHM, J,0.063W	1	
	R9113	ERJ2GEJ470	M 47 OHM, J,0.063W	1	
	R9114	ERJ2GEJ470	M 47 OHM, J,0.063W	1	
	R9115	ERJ2GEJ101	M 100 OHM, J,0.063W	1	
	R9116	ERJ2GEJ101	M 100 OHM, J,0.063W	1	
	R9117	ERJ2GEJ472	M 4.7KOHM, J,0.063W	1	
	R9118	DOGDR00Z0002	M 0 OHM, 1/10W	1	
	R9119	EXB38V470J	RESISTOR ARRAY	1	
	R9120	EXB2HV103JV	RESISTOR ARRAY	1	
	R9121	ERJ2GEJ104	M 100KOHM, J,0.063W	1	
	R9122	ERJ2GEJ332	M 3.3KOHM, J,0.063W	1	
	R9123	EXB2HV470JV	RESISTOR ARRAY	1	
	R9124	DOGDR00Z0002	M 0 OHM, 1/10W	1	
	R9125	ERJ2GEJ472	M 4.7KOHM, J,0.063W	1	
	R9126	ERJ2GEJ101	M 100 OHM, J,0.063W	1	
	R9127	DOYAR0000007	M 0 OHM 1/4W	1	
	R9129	ERJ2GEJ683	M 68KOHM, J,0.063W	1	
	R9130	ERJ2GEJ104	M 100KOHM, J,0.063W	1	
	R9131	ERJ2GEJ472	M 4.7KOHM, J,0.063W	1	
	R9132	ERJ2GEJ472	M 4.7KOHM, J,0.063W	1	
	R9133	ERJ2GEJ680	M 68 OHM, J,0.063W	1	
	R9134	DOYAR0000007	M 0 OHM 1/4W	1	
	R9135	ERJ2GEJ472	M 4.7KOHM, J,0.063W	1	
	R9136	ERJ2GEJ103	M 10KOHM, J,0.063W	1	
	R9137	EXB2HV220JV	RESISTOR ARRAY	1	
	R9138	EXB2HV220JV	RESISTOR ARRAY	1	
	R9139	EXB2HV220JV	RESISTOR ARRAY	1	
	R9140	EXB2HV220JV	RESISTOR ARRAY	1	
	R9141	ERJ2GEJ101	M 100 OHM, J,0.063W	1	
	R9142	ERJ2GEJ220	M 22 OHM, J,0.063W	1	
	R9143	ERJ2GEJ220	M 22 OHM, J,0.063W	1	
	R9144	DOYAR0000007	M 0 OHM 1/4W	1	
	R9145	ERJ2GEJ472	M 4.7KOHM, J,0.063W	1	
	R9146	EXB2HV220JV	RESISTOR ARRAY	1	
	R9147	EXB2HV220JV	RESISTOR ARRAY	1	
	R9148	EXB38VR000V	RESISTOR ARRAY	1	
	R9149	ERJ2GEJ472	M 4.7KOHM, J,0.063W	1	
	R9150	ERJ2GEJ103	M 10KOHM, J,0.063W	1	
	R9151	ERJ2GEJ103	M 10KOHM, J,0.063W	1	
	R9154	ERJ2GEJ470	M 47 OHM, J,0.063W	1	

Safety	Ref. No.	Part No.	Part Name & Description	Pcs	Remarks
	R9155	ERJ2GEJ103	M 10KOHM, J, 0.063W	1	
	R9156	D0YAR0000007	M 0 OHM 1/4W	1	
	R9157	ERJ2GEJ472	M 4.7KOHM, J, 0.063W	1	
	R9158	ERJ2GEJ470	M 47 OHM, J, 0.063W	1	
	R9159	ERJ2GEJ393	M 39KOHM, J, 0.063W	1	
	R9160	ERJ2GEJ393	M 39KOHM, J, 0.063W	1	
	R9161	ERJ2GEJ393	M 39KOHM, J, 0.063W	1	
	R9162	ERJ2GEJ104	M 100KOHM, J, 0.063W	1	
	R9163	ERJ2GEJ103	M 10KOHM, J, 0.063W	1	
	R9164	ERJ2GEJ220	M 22 OHM, J, 0.063W	1	
	R9166	ERJ2GEJ220	M 22 OHM, J, 0.063W	1	
	R9167	ERJ2GEJ472	M 4.7KOHM, J, 0.063W	1	
	R9168	D0GDR000Z0002	M 0 OHM, 1/10W	1	
	R9170	ERJ2GEJ472	M 4.7KOHM, J, 0.063W	1	
	R9171	ERJ2GEJ103	M 10KOHM, J, 0.063W	1	
	R9172	D0YAR0000007	M 0 OHM 1/4W	1	
	R9174	ERJ2GEJ102X	M 1K OHM J 1/4W	1	
	R9175	ERJ2GEJ101	M 100 OHM, J, 0.063W	1	
	R9177	ERJ2GEJ220	M 22 OHM, J, 0.063W	1	
	R9178	ERJ2GEJ220	M 22 OHM, J, 0.063W	1	
	R9179	ERJ2GEJ220	M 22 OHM, J, 0.063W	1	
	R9180	ERJ2GEJ220	M 22 OHM, J, 0.063W	1	
	R9181	ERJ2GEJ220	M 22 OHM, J, 0.063W	1	
	R9182	ERJ2GEJ220	M 22 OHM, J, 0.063W	1	
	R9185	ERJ2GEJ223	M 22KOHM, J, 0.063W	1	
	R9186	ERJ2GEJ333	M 33KOHM, J, 0.063W	1	
	R9187	ERJ2GED563X	M 56KOHM, J, 0.063W	1	
	R9188	ERJ2GEJ243	M 24KOHM, J, 0.063W	1	
	R9189	ERJ2GEJ104	M 100KOHM, J, 0.063W	1	
	R9190	ERJ2GEJ472	M 4.7KOHM, J, 0.063W	1	
	R9191	ERJ2GEJ104	M 100KOHM, J, 0.063W	1	
	R9192	ERJ2GEJ103	M 10KOHM, J, 0.063W	1	
	R9193	EXB2HV220JV	RESISTOR ARRAY	1	
	R9195	EXB2HV220JV	RESISTOR ARRAY	1	
	R9197	ERJ2GEJ470	M 47 OHM, J, 0.063W	1	
	R9198	D0YAR0000007	M 0 OHM 1/4W	1	
	R9199	ERJ2GEJ470	M 47 OHM, J, 0.063W	1	
	R9200	ERJ2GEJ100	M 10 OHM, J, 0.063W	1	
	R9201	ERJ2GEJ100	M 10 OHM, J, 0.063W	1	
	R9202	ERJ2GEJ470	M 47 OHM, J, 0.063W	1	
	R9204	ERJ2GEJ223	M 22KOHM, J, 0.063W	1	
	R9205	ERJ2GEJ331	M 330 OHM, J, 0.063W	1	
	R9206	ERJ2GEJ102X	M 1K OHM J 1/4W	1	
	R9207	ERJ2GEJ470	M 47 OHM, J, 0.063W	1	

Safety	Ref. No.	Part No.	Part Name & Description	Pcs	Remarks
	R9208	EXB2HV220JV	RESISTOR ARRAY	1	
	R9209	EXB2HV220JV	RESISTOR ARRAY	1	
	R9210	EXB2HV220JV	RESISTOR ARRAY	1	
	R9211	EXB2HV220JV	RESISTOR ARRAY	1	
	R9212	EXB2HV470JV	RESISTOR ARRAY	1	
	R9213	ERJ2GEJ101	M 100 OHM, J, 0.063W	1	
	R9214	ERJ2GEJ104	M 100KOHM, J, 0.063W	1	
	R9215	ERJ2GEJ470	M 47 OHM, J, 0.063W	1	
	R9216	ERJ2GEJ220	M 22 OHM, J, 0.063W	1	
	R9217	ERJ2GEJ680	M 68 OHM, J, 0.063W	1	
	R9218	ERJ2GEJ470	M 47 OHM, J, 0.063W	1	
	R9219	ERJ2GEJ103	M 10KOHM, J, 0.063W	1	
	R9223	ERJ2RHD272	M 2.7KOHM, J, 2W	1	
	R9224	ERJ2GEJ220	M 22 OHM, J, 0.063W	1	
	R9225	ERJ2RHD272	M 2.7KOHM, J, 2W	1	
	R9226	ERJ2GEJ101	M 100 OHM, J, 0.063W	1	
	R9229	ERJ2GEJ101	M 100 OHM, J, 0.063W	1	
	R9230	EXB38V470J	RESISTOR ARRAY	1	
	R9231	D0YAR0000007	M 0 OHM 1/4W	1	
	R9232	ERJ2GEJ470	M 47 OHM, J, 0.063W	1	
	R9233	ERJ2GEJ472	M 4.7KOHM, J, 0.063W	1	
	R9234	EXB2HV470JV	RESISTOR ARRAY	1	
	R9235	EXB2HV470JV	RESISTOR ARRAY	1	
	R9236	ERJ2RKD330	M 33 OHM, J, 2W	1	
	R9237	EXB38V470J	RESISTOR ARRAY	1	
	R9238	ERJ2GEJ151	M 150 OHM, J, 0.063W	1	
	R9245	ERJ2GEJ102X	M 1K OHM J 1/4W	1	
	R9246	ERJ2GEJ103	M 10KOHM, J, 0.063W	1	
	R9247	ERJ2GEJ470	M 47 OHM, J, 0.063W	1	
	R9248	D1BB1001A055	M 1KOHM, 1/16W	1	
	R9249	D1BB1001A055	M 1KOHM, 1/16W	1	
	R9250	D1BB1001A055	M 1KOHM, 1/16W	1	
	R9251	D1BB1001A055	M 1KOHM, 1/16W	1	
	R9252	ERJ2RKD330	M 33 OHM, J, 2W	1	
	R9253	EXB2HV103JV	RESISTOR ARRAY	1	
	R9254	EXB2HV103JV	RESISTOR ARRAY	1	
	R9255	EXB2HV103JV	RESISTOR ARRAY	1	
	R9256	EXB38V470J	RESISTOR ARRAY	1	
	R9257	EXB38V470J	RESISTOR ARRAY	1	
	R9258	EXB38V470J	RESISTOR ARRAY	1	
	R9259	EXB38V470J	RESISTOR ARRAY	1	
	R9260	EXB38V470J	RESISTOR ARRAY	1	
	R9261	EXB38V470J	RESISTOR ARRAY	1	
	R9262	EXB38V470J	RESISTOR ARRAY	1	
	R9263	EXB38V470J	RESISTOR ARRAY	1	
	R9264	ERJ2GEJ470	M 47 OHM, J, 0.063W	1	
	R9265	ERJ2GEJ470	M 47 OHM, J, 0.063W	1	
	R9266	ERJ2GEJ470	M 47 OHM, J, 0.063W	1	
	R9267	ERJ2GEJ470	M 47 OHM, J, 0.063W	1	
	R9270	ERJ2GEJ470	M 47 OHM, J, 0.063W	1	
	R9271	ERJ2GEJ470	M 47 OHM, J, 0.063W	1	
	R9272	ERJ2GEJ101	M 100 OHM, J, 0.063W	1	
	R9273	ERJ2GEJ470	M 47 OHM, J, 0.063W	1	
	R9274	EXB2HV151J	RESISTOR ARRAY	1	

Safety	Ref. No.	Part No.	Part Name & Description	Pcs	Remarks
	R9275	EXB2HV151J	RESISTOR ARRAY	1	
	R9276	EXB2HV151J	RESISTOR ARRAY	1	
	R9277	EXB2HV151J	RESISTOR ARRAY	1	
	R9279	DOYAR0000007	M 0 OHM 1/4W	1	
	R9280	EXB2HV103JV	RESISTOR ARRAY	1	
	R9281	EXB2HV103JV	RESISTOR ARRAY	1	
	R9282	EXB2HV103JV	RESISTOR ARRAY	1	
	R9283	ERJ2GEJ103	M 10KOHM, J,0.063W	1	
	R9286	DOYAR0000007	M 0 OHM 1/4W	1	
	R9287	DOYAR0000007	M 0 OHM 1/4W	1	
	R9288	DOYAR0000007	M 0 OHM 1/4W	1	
	R9292	EXB2HVR000	RESISTOR ARRAY	1	
	R9293	EXB2HV470JV	RESISTOR ARRAY	1	
	R9295	ERJ2GEJ101	M 100 OHM, J,0.063W	1	
	R9296	ERJ2GEJ101	M 100 OHM, J,0.063W	1	
	R9297	ERJ2GEJ101	M 100 OHM, J,0.063W	1	
	R9298	ERJ2GEJ101	M 100 OHM, J,0.063W	1	
	R9299	ERJ2GEJ101	M 100 OHM, J,0.063W	1	
	R9300	ERJ2GEJ101	M 100 OHM, J,0.063W	1	
	R9301	ERJ2GEJ101	M 100 OHM, J,0.063W	1	
	R9302	ERJ2GEJ101	M 100 OHM, J,0.063W	1	
	R9303	ERJ2GEJ101	M 100 OHM, J,0.063W	1	
	R9304	ERJ2GEJ101	M 100 OHM, J,0.063W	1	
	R9308	ERJ2GEJ102X	M 1K OHM J 1/4W	1	
	R9309	ERJ2GEJ103	M 10KOHM, J,0.063W	1	
	R9310	EXB38V103JV	RESISTOR ARRAY	1	
	R9311	ERJ2GEJ102X	M 1K OHM J 1/4W	1	
	R9312	ERJ2GEJ332	M 3.3KOHM, J,0.063W	1	
	R9315	ERJ2GEJ103	M 10KOHM, J,0.063W	1	
	R9317	ERJ2GEJ220	M 22 OHM, J,0.063W	1	
	R9319	ERJ2GEJ220	M 22 OHM, J,0.063W	1	
	R9321	ERJ2GEJ220	M 22 OHM, J,0.063W	1	
	R9323	ERJ2GEJ220	M 22 OHM, J,0.063W	1	
	R9325	ERJ2GEJ103	M 10KOHM, J,0.063W	1	
	R9326	ERJ2GEJ470	M 47 OHM, J,0.063W	1	
	R9327	ERJ2GEJ103	M 10KOHM, J,0.063W	1	
	R9333	EXB38V103JV	RESISTOR ARRAY	1	
	R9334	ERJ2GEJ103	M 10KOHM, J,0.063W	1	
	R9335	EXB2HV103JV	RESISTOR ARRAY	1	
	R9337	ERJ2GEJ103	M 10KOHM, J,0.063W	1	
	R9341	ERJ2GEJ101	M 100 OHM, J,0.063W	1	
	R9342	ERJ2GEJ102X	M 1K OHM J 1/4W	1	
	R9343	ERJ2GEJ102X	M 1K OHM J 1/4W	1	
	R9344	ERJ2GEJ470	M 47 OHM, J,0.063W	1	
	R9345	ERJ2GEJ680	M 68 OHM, J,0.063W	1	
	R9348	ERJ2GEJ103	M 10KOHM, J,0.063W	1	
	R9350	ERJ2GEJ101	M 100 OHM, J,0.063W	1	
	R9351	ERJ2GEJ101	M 100 OHM, J,0.063W	1	
	R9352	EXB2HV470JV	RESISTOR ARRAY	1	
	R9353	EXB38V470J	RESISTOR ARRAY	1	

Safety	Ref. No.	Part No.	Part Name & Description	Pcs	Remarks
	R9354	EXB2HV103JV	RESISTOR ARRAY	1	
	R9355	ERJ2GEJ103	M 10KOHM, J,0.063W	1	
	R9358	ERJ2GEJ103	M 10KOHM, J,0.063W	1	
	R9362	ERJ2GEJ103	M 10KOHM, J,0.063W	1	
	R9385	ERJ2GEJ472	M 4.7KOHM, J,0.063W	1	
	R9578	ERJ2GEJ472	M 4.7KOHM, J,0.063W	1	
	R9599	ERJ2GEJ680	M 68 OHM, J,0.063W	1	
	R9600	ERJ2GEJ680	M 68 OHM, J,0.063W	1	
	R9611	ERJ2GEJ680	M 68 OHM, J,0.063W	1	
	R9824	ERJ2GEJ101	M 100 OHM, J,0.063W	1	
	R9825	ERJ2GEJ101	M 100 OHM, J,0.063W	1	
	R9826	ERJ2GEJ101	M 100 OHM, J,0.063W	1	
	R9839	EXB38V101JV	RESISTOR ARRAY	1	
	R9840	ERJ2GEJ220	M 22 OHM, J,0.063W	1	
	R9846	EXB2HV103JV	RESISTOR ARRAY	1	
	R9847	EXB2HV103JV	RESISTOR ARRAY	1	
	R9848	EXB2HV470JV	RESISTOR ARRAY	1	
	R9849	EXB2HV470JV	RESISTOR ARRAY	1	
	R9854	ERJ2GEJ101	M 100 OHM, J,0.063W	1	
	R9859	EXB38V101JV	RESISTOR ARRAY	1	
	R9868	ERJ2GEJ104	M 100KOHM, J,0.063W	1	
	R9869	ERJ2GEJ103	M 10KOHM, J,0.063W	1	
	R9870	ERJ2GEJ103	M 10KOHM, J,0.063W	1	
	R9871	ERJ2GEJ103	M 10KOHM, J,0.063W	1	
	R9878	D1BB1502A055	M 15KOHM, 1/10W	1	
	R9879	D1BB1302A055	M 13KOHM, 1/10W	1	
	R9886	D1BB4702A055	M 47KOHM, 1/10W	1	
	R9887	D1BB5102A055	M 51KOHM, 1/10W	1	
	R9888	D1BB1502A055	M 15KOHM, 1/10W	1	
	R9889	D1BB1822A055	M18.2KOHM, 1/10W	1	
	R9890	D1BB4752A055	M47.5KOHM, 1/10W	1	
	R9891	D1BB1272A055	M12.7KOHM, 1/10W	1	
	R9892	ERJ2GEJ104	M 100KOHM, J,0.063W	1	
	R9893	D1BB4302A055	M 43KOHM, 1/10W	1	
	R9894	D1BB2002A055	M 20KOHM, 1/10W	1	
	R9895	ERJ2GEJ104	M 100KOHM, J,0.063W	1	
	R9896	D1BB1822A055	M18.2KOHM, 1/10W	1	
	R9897	D1BB4752A055	M47.5KOHM, 1/10W	1	
	R9901	DOYAR0000007	M 0 OHM 1/4W	1	
	R9905	ERJ2RKD330	M 33 OHM, J, 2W	1	
	R9907	ERJ2GEJ151	M 150 OHM, J,0.063W	1	
	R9936	D1BB1001A055	M 1KOHM, 1/16W	1	
	R9937	D1BB1001A055	M 1KOHM, 1/16W	1	
	R9938	D1BB1001A055	M 1KOHM, 1/16W	1	
	R9939	D1BB1001A055	M 1KOHM, 1/16W	1	
	R9940	ERJ2RKD330	M 33 OHM, J, 2W	1	
	R9944	EXB38V470J	RESISTOR ARRAY	1	
	R9945	EXB38V470J	RESISTOR ARRAY	1	
	R9946	EXB38V470J	RESISTOR ARRAY	1	
	R9947	EXB38V470J	RESISTOR ARRAY	1	
	R9948	EXB38V470J	RESISTOR ARRAY	1	
	R9949	EXB38V470J	RESISTOR ARRAY	1	
	R9950	EXB38V470J	RESISTOR ARRAY	1	
	R9951	EXB38V470J	RESISTOR ARRAY	1	
	R9952	ERJ2GEJ470	M 47 OHM, J,0.063W	1	

Safety	Ref. No.	Part No.	Part Name & Description	Pcs	Remarks
	R9953	ERJ2GEJ470	M 47 OHM, J,0.063W	1	
	R9954	ERJ2GEJ470	M 47 OHM, J,0.063W	1	
	R9955	ERJ2GEJ470	M 47 OHM, J,0.063W	1	
	R9966	ERJ2GEJ471	M 470 OHM, J,0.063W	1	
	R9969	ERJ2GEJ470	M 47 OHM, J,0.063W	1	
	R9972	ERJ2GEJ103	M 10KOHM, J,0.063W	1	
	R9973	ERJ2GEJ103	M 10KOHM, J,0.063W	1	
	R9974	ERJ2GEJ103	M 10KOHM, J,0.063W	1	
	R9975	ERJ2GEJ470	M 47 OHM, J,0.063W	1	
	R9980	D0YAR0000007	M 0 OHM 1/4W	1	
	RM2510	PNA4701M07TV	REMOCON RECEIVER	1	
	S1	K1KA03BA0061	3P CONNECTOR	1	
△	SW2500	K0F162B00002	SWITCH	1	
	SW3751	EVQPC105K	SWITCH	1	
	SW3753	EVQPC105K	SWITCH	1	
	SW3754	EVQPC105K	SWITCH	1	
	SW3755	EVQPC105K	SWITCH	1	
	SW3756	EVQPC105K	SWITCH	1	
△	TU8301	ENG37E09KF	TUNER	1	
	X1100	H0J100500035	CRYSTAL	1	
	X2010	H0J245500089	CRYSTAL	1	
	X2601	H0J202500019	CRYSTAL	1	
	X4200	H0J270500113	CRYSTAL	1	
	X8001	H0J270500061	CRYSTAL	1	
	X8301	H0J204500006	CRYSTAL	1	
	X9000	H2D100500004	CRYSTAL	1	
	X9200	H0J200500076	CRYSTAL	1	
	ZA0001	K4AZ01D00004	TERMINAL	1	
	ZA0002	K4AZ01D00004	TERMINAL	1	
	ZA0003	K4AZ01D00004	TERMINAL	1	
	ZA0004	K4AZ01D00004	TERMINAL	1	
	ZA0005	K4AZ01D00004	TERMINAL	1	
	ZA0006	K4AZ01D00004	TERMINAL	1	
	ZA0007	K4AZ01D00004	TERMINAL	1	
	ZA0008	K4AZ01D00004	TERMINAL	1	
	ZA3701	K4CZ01000027	AV TERMINAL	1	
	ZA3702	K4CZ01000027	AV TERMINAL	1	
	ZA3801	K4AD01D00005	TERMINAL	1	
	ZA3802	K4AD01D00005	TERMINAL	1	
	ZA7701	K4CZ01000027	AV TERMINAL	1	
	ZA7702	K4CZ01000027	AV TERMINAL	1	
	ZA9000	K4CD01000011	AV TERMINAL	1	
	C10	K1MN20BA0231	20P CONNECTOR	1	
	C11	K1MN68BA0266	68P CONNECTOR	1	
	C20	K1MN20BA0266	20P CONNECTOR	1	
	C21	K1MN68BA0266	68P CONNECTOR	1	
	C22	K1MN68BA0266	68P CONNECTOR	1	
	C26	K1MN68BA0266	68P CONNECTOR	1	
	C33	K1KA10B00218	10P CONNECTOR	1	
	C35	K1KA04BA0107	4P CONNECTOR	1	
	C36	K1MN68BA0266	68P CONNECTOR	1	
	C14352	F1J1C1050030	C 1UF, Z, 16V	1	
	C14356	F1J1C1050030	C 1UF, Z, 16V	1	
	C14360	F1L2E104A028	E 1000UF, 25V	1	
	C14361	F1L2E104A028	E 1000UF, 25V	1	
	C14364	F1J1C1050030	C 1UF, Z, 16V	1	
	C14368	F1J1C1050030	C 1UF, Z, 16V	1	
	C14370	F1L2E104A028	E 1000UF, 25V	1	
	C14371	F1L2E104A028	E 1000UF, 25V	1	

Safety	Ref. No.	Part No.	Part Name & Description	Pcs	Remarks
	C14373	F1J1H102A834	C 1000UF, 50V	1	
	C14901	F1J1H102A834	C 1000UF, 50V	1	
	C14902	F1J1C1050030	C 1UF, Z, 16V	1	
	C14904	F1J1C1050030	C 1UF, Z, 16V	1	
	C14906	F1J1C1050030	C 1UF, Z, 16V	1	
	C14908	F1J1C1050030	C 1UF, Z, 16V	1	
	C14910	F1J1C1050030	C 1UF, Z, 16V	1	
	C14912	F1J1C1050030	C 1UF, Z, 16V	1	
	C14920	F1L2E104A028	E 1000UF, 25V	1	
	C14921	F1L2E104A028	E 1000UF, 25V	1	
	C14923	F1L2E104A028	E 1000UF, 25V	1	
	C14926	F1L2E104A028	E 1000UF, 25V	1	
	C14928	F1L2E104A028	E 1000UF, 25V	1	
	C14930	F1L2E104A028	E 1000UF, 25V	1	
	C14931	F1J1H102A834	C 1000UF, 50V	1	
	C14932	F1L2E104A028	E 1000UF, 25V	1	
	C14934	F1L2E104A028	E 1000UF, 25V	1	
	C14936	F1J1H471A721	C 470UF, 50V	1	
	C14937	F1J1H471A721	C 470UF, 50V	1	
	C14938	F1J1H471A721	C 470UF, 50V	1	
	C14939	F1J1H471A721	C 470UF, 50V	1	
	C14940	F1J1H102A834	C 1000UF, 50V	1	
	C14941	F1J1H471A721	C 470UF, 50V	1	
	C14942	F1J1H471A721	C 470UF, 50V	1	
	C14943	F1L1E4750012	C 4.7UF, 25V	1	
	C14944	F1J1H102A836	C 1000UF, 50V	1	
	C14945	F1J1H101A836	C 100PF, K, 50V	1	
	C14950	F1J1H471A721	C 470UF, 50V	1	
	C14952	F1J1C1050030	C 1UF, Z, 16V	1	
	C14955	F1J1C1050030	C 1UF, Z, 16V	1	
	C14957	F1J1C1050030	C 1UF, Z, 16V	1	
	C14958	F1J1C1050030	C 1UF, Z, 16V	1	
	C14961	F1J1C1050030	C 1UF, Z, 16V	1	
	C14963	F1J1C1050030	C 1UF, Z, 16V	1	
	C14969	F1J1H104A835	C 0.10UF, 50V	1	
	C14970	F1J1H471A721	C 470UF, 50V	1	
	C14971	F1J1H471A721	C 470UF, 50V	1	
	C14972	F1J1H471A721	C 470UF, 50V	1	
	C14973	F1J1H102A834	C 1000UF, 50V	1	
	C14975	F1L2E104A028	E 1000UF, 25V	1	
	C14976	F1J1H102A834	C 1000UF, 50V	1	
	C14981	F1J1H471A721	C 470UF, 50V	1	
	C14983	F1L2E104A028	E 1000UF, 25V	1	
	C14984	F1L2E104A028	E 1000UF, 25V	1	
	C14985	F1L2E104A028	E 1000UF, 25V	1	
	C14987	F1J1H104A835	C 0.10UF, 50V	1	
	C14988	F1J1H104A835	C 0.10UF, 50V	1	
	C14989	F1J1H471A721	C 470UF, 50V	1	
	C14990	F1J1H104A835	C 0.10UF, 50V	1	
	C14992	F1H1C105A008	C 1UF, K, 16V	1	
	C16002	F1L2J562A022	C 5600UF, K, 6.3V	1	
	C16011	F2A2T251A004	E 250UF, 220V	1	
	C16012	F2A2T251A004	E 250UF, 220V	1	
	C16013	F2A2T251A004	E 250UF, 220V	1	
	C16018	F0C2E225A230	E 0.022UF, 250V	1	
	C16023	F1L2J562A022	C 5600UF, K, 6.3V	1	
	C16041	F1H1H392A970	C 3900PF, K, 50V	1	
	C16071	F1L2J1020001	C 1000UF, K, 6.3V	1	
	C16092	F1L2J1020001	C 1000UF, K, 6.3V	1	
	C16131	F1L1E4750004	C 4.7UF, 25V	1	
	C16133	F1L1E4750004	C 4.7UF, 25V	1	
	C16135	F1K1E105A029	C 1UF, Z, 25V	1	
	C16151	F1K1E105A029	C 1UF, Z, 25V	1	
	C16152	F1L1E4750004	C 4.7UF, 25V	1	
	C16153	F1L1E4750004	C 4.7UF, 25V	1	
	C16154	F1L1E4750004	C 4.7UF, 25V	1	
	C16191	F1L1E4750004	C 4.7UF, 25V	1	
	C16192	ECJ1VB1E104K	C 0.10UF, K, 25V	1	
	C16194	F1L1E4750004	C 4.7UF, 25V	1	
	C16195	F1L1E4750004	C 4.7UF, 25V	1	
	C16197	F1L1E4750004	C 4.7UF, 25V	1	
	C16201	F0C2E405A230	E 0.040UF, 250V	1	
	C16202	F0C2E405A230	E 0.040UF, 250V	1	

Safety	Ref. No.	Part No.	Part Name & Description	Pcs	Remarks
	C16203	FOC2E405A230	E 0.040UF, 250V	1	
	C16241	F2A1A101A106	E 100UF, 10V	1	
	C16242	FIH1C105A008	C 1UF, K, 16V	1	
	C16243	FIH1H103A970	C 0.001UF, K, 50V	1	
	C16251	FIH1C105A008	C 1UF, K, 16V	1	
	C16252	FIK1E105A029	C 1UF, Z, 25V	1	
	C16263	F2AZZ821A012	E 820UF, 80V	1	
	C16264	F2AZZ821A012	E 820UF, 80V	1	
	C16265	F2AZZ821A012	E 820UF, 80V	1	
	C16272	F2A1E471A487	E 470UF, 25V	1	
	C16280	FIK1E105A029	C 1UF, Z, 25V	1	
	C16284	ECJ1VB1H104K	C 0.1UF, K, 50V	1	
	C16285	ECJ1VB1H104K	C 0.1UF, K, 50V	1	
	C16286	ECJ1VB1H104K	C 0.1UF, K, 50V	1	
	C16287	ECJ1VB1H104K	C 0.1UF, K, 50V	1	
	C16301	F2A1E470A454	E 47UF, 25V	1	
	C16302	FIH1H471A219	C 470UF, 50V	1	
	C16303	ECJ1XB1C103K	C 0.010UF, K, 16V	1	
	C16310	F2A2T251A004	E 250UF, 220V	1	
	C16311	FIH1A1050032	C 10UF, 50V	1	
	C16312	FIH1H472A970	C 4700PF, K, 50V	1	
	C16313	FIH1C105A008	C 1UF, K, 16V	1	
	C16321	FIL2E224A028	E 2200UF, 25V	1	
	C16322	FIL2E224A028	E 2200UF, 25V	1	
	C16323	F2A1E470A454	E 47UF, 25V	1	
	C16324	F2A1E471A487	E 470UF, 25V	1	
	C16325	FIL1E4750004	C 4.7UF, 25V	1	
	C16326	FIL1E4750004	C 4.7UF, 25V	1	
	C16328	F2A2D201A226	E 220UF, 200V	1	
	C16331	FOC2E225A230	E 0.022UF, 250V	1	
	C16401	FIL2J562A022	C 5600UF, K,6.3V	1	
	C16412	F2A2T251A004	E 250UF, 220V	1	
	C16414	F2A2T251A004	E 250UF, 220V	1	
	C16415	F2A2T251A004	E 250UF, 220V	1	
	C16417	F2A2T251A004	E 250UF, 220V	1	
	C16419	FOC2E225A230	E 0.022UF, 250V	1	
	C16421	FIL2J562A022	C 5600UF, K,6.3V	1	
	C16440	FIE2J102A002	C 1000PF, 600V	1	
	C16441	FIH1H392A970	C 3900PF, K, 50V	1	
	C16442	FIH1H392A970	C 3900PF, K, 50V	1	
	C16450	FIE2J102A002	C 1000PF, 600V	1	
	C16471	FIL2J1020001	C 1000UF, K,6.3V	1	
	C16472	FIK1E105A029	C 1UF, Z, 25V	1	
	C16491	FIL2J1020001	C 1000UF, K,6.3V	1	
	C16501	FIK1E105A029	C 1UF, Z, 25V	1	
	C16502	FIL1E4750004	C 4.7UF, 25V	1	
	C16503	F2A1E471A487	E 470UF, 25V	1	
	C16504	FIL1E4750004	C 4.7UF, 25V	1	
	C16505	FIK1E105A029	C 1UF, Z, 25V	1	
	C16521	FIK1E105A029	C 1UF, Z, 25V	1	
	C16522	FIL1E4750004	C 4.7UF, 25V	1	
	C16523	F2A1E471A487	E 470UF, 25V	1	
	C16524	FIL1E4750004	C 4.7UF, 25V	1	
	C16525	FIL1E4750004	C 4.7UF, 25V	1	
	C16533	ECJ1VB1H104K	C 0.1UF, K, 50V	1	
	C16535	ECJ1VB1H104K	C 0.1UF, K, 50V	1	
	C16536	ECJ1VB1H104K	C 0.1UF, K, 50V	1	
	C16562	FIH1C105A008	C 1UF, K, 16V	1	
	C16563	F2A1A101A106	E 100UF, 10V	1	
	C16564	FIH1C105A008	C 1UF, K, 16V	1	
	C16565	FIH1H103A970	C 0.001UF, K, 50V	1	
	C16566	FIH1H103A970	C 0.001UF, K, 50V	1	
	C16581	FIK1E105A029	C 1UF, Z, 25V	1	
	C16582	FIH1C105A008	C 1UF, K, 16V	1	
	C16593	FIH1H102A971	C 1000PF, K, 50V	1	
	C16602	FIH1H220A971	C 22PF, K, 50V	1	
	C16603	FIK2J102A014	C 1000UF, K,6.3V	1	
	C16604	FIK2J102A014	C 1000UF, K,6.3V	1	
	C16605	FIH1H220A971	C 22PF, K, 50V	1	
	C16606	FIH1H220A971	C 22PF, K, 50V	1	

Safety	Ref. No.	Part No.	Part Name & Description	Pcs	Remarks
	C16608	FIH1H221A971	C 220UF, K, 50V	1	
	C16631	FOC2E405A230	E 0.040UF, 250V	1	
	C16632	FOC2E405A230	E 0.040UF, 250V	1	
	C16633	FOC2E405A230	E 0.040UF, 250V	1	
	C16641	FIL2E153A029	E 0.015UF, 25V	1	
	C16642	FIL2E153A029	E 0.015UF, 25V	1	
	C16661	FIK2J102A014	C 1000UF, K,6.3V	1	
	C16662	FIK2J102A014	C 1000UF, K,6.3V	1	
	C16664	FIH1H820A971	C 82UF, 50V	1	
	C16665	FIH1H820A971	C 82UF, 50V	1	
	C16666	FIH1H820A971	C 82UF, 50V	1	
	C16684	ECJ1VB1H104K	C 0.1UF, K, 50V	1	
	C16685	ECJ1VB1H104K	C 0.1UF, K, 50V	1	
	C16691	ECA2CM101	E 100UF, 160V	1	
	C16707	FIH1H220A971	C 22PF, K, 50V	1	
	C16708	ECJ1VB1H104K	C 0.1UF, K, 50V	1	
	C16721	F2A1H101A493	E 100UF, 50V	1	
	C16723	FIL1E4750004	C 4.7UF, 25V	1	
	C16724	FIL1E4750004	C 4.7UF, 25V	1	
	C16725	FIL1E4750004	C 4.7UF, 25V	1	
	C16753	FIL1E4750004	C 4.7UF, 25V	1	
	C16755	FIL1E4750004	C 4.7UF, 25V	1	
	C16756	FIL1E4750004	C 4.7UF, 25V	1	
	C16771	FIH1C105A008	C 1UF, K, 16V	1	
	C16772	FIL1E4750004	C 4.7UF, 25V	1	
	C16773	FIL1E4750004	C 4.7UF, 25V	1	
	C16775	FIL1E4750004	C 4.7UF, 25V	1	
	C16791	F2A1E221A487	E 220UF, 25V	1	
	C16795	F2A1E471A487	E 470UF, 25V	1	
	C16796	F2A1E471A487	E 470UF, 25V	1	
	C16797	ECJ1VB1H104K	C 0.1UF, K, 50V	1	
	C16798	FIL2E104A028	E 1000UF, 25V	1	
	C16806	ECA2CM101	E 100UF, 160V	1	
	C16811	ECJ3VC1H472J	C 4700PF, J, 50V	1	
	C16813	ECA2CM101	E 100UF, 160V	1	
	C16814	FIH1H561A971	C 560UF, 50V	1	
	C16821	ECJ1VB1H104K	C 0.1UF, K, 50V	1	
	C16822	F2A2G470A187	E 470UF, 400V	1	
	C16823	FIL2J562A022	C 5600UF, K,6.3V	1	
	C16832	FIH1H392A970	C 3900PF, K, 50V	1	
	C16842	ECA2CM101	E 100UF, 160V	1	
	C16843	ECJ1VB1H104K	C 0.1UF, K, 50V	1	
	C16844	ECJ1VB1H104K	C 0.1UF, K, 50V	1	
	C16855	FIH1C105A008	C 1UF, K, 16V	1	
	C16856	FIH1A1050032	C 10UF, 50V	1	
	C16857	FIH1H472A970	C 4700PF, K, 50V	1	
	C16858	FIH1C104A143	C 0.1UF, K, 16V	1	
	C16860	FIH1A1050032	C 10UF, 50V	1	
	C16861	FIH1H472A970	C 4700PF, K, 50V	1	
	C16862	FIH1C104A143	C 0.1UF, K, 16V	1	
	C16863	FIH1H103A970	C 0.001UF, K, 50V	1	
	C16864	ECJ1VB1H104K	C 0.1UF, K, 50V	1	
	C16866	FIH1A1050032	C 10UF, 50V	1	
	C16867	FIH1H472A970	C 4700PF, K, 50V	1	
	C16868	FIH1C104A143	C 0.1UF, K, 16V	1	
	C16869	ECJ1VB1H104K	C 0.1UF, K, 50V	1	
	C17113	FIH1A1050032	C 10UF, 50V	1	
	C17131	FIH1C104A143	C 0.1UF, K, 16V	1	
	C17132	FIH1C104A143	C 0.1UF, K, 16V	1	
	C17133	FIH1C104A143	C 0.1UF, K, 16V	1	
	C17134	FIL2E154A009	E 1500UF, 25V	1	
	C17135	FIL2E154A009	E 1500UF, 25V	1	
	C17136	FIL2E154A009	E 1500UF, 25V	1	
	C17137	FIL2E154A009	E 1500UF, 25V	1	
	C17138	FIL2E154A009	E 1500UF, 25V	1	
	C17139	FIL2E154A009	E 1500UF, 25V	1	
	C17140	FIL2E154A009	E 1500UF, 25V	1	
	C17141	FIL2E154A009	E 1500UF, 25V	1	
	C17142	FIL2E154A009	E 1500UF, 25V	1	
	C17143	FIL2E154A009	E 1500UF, 25V	1	
	C17144	FIL2E154A009	E 1500UF, 25V	1	
	C17145	FIL2E154A009	E 1500UF, 25V	1	

Safety	Ref. No.	Part No.	Part Name & Description	Pcs	Remarks
	C17146	F1H1A1050032	C 10UF, 50V	1	
	C17147	F1H1A1050032	C 10UF, 50V	1	
	C17148	F1H1A1050032	C 10UF, 50V	1	
	C17149	F1H1A1050032	C 10UF, 50V	1	
	C17151	F1H1A1050032	C 10UF, 50V	1	
	C17158	F1H1C104A143	C 0.1UF, K, 16V	1	
	C17159	F1H1C104A143	C 0.1UF, K, 16V	1	
	C17160	F1H1C104A143	C 0.1UF, K, 16V	1	
	C17201	F1H1A1050032	C 10UF, 50V	1	
	C17207	F1H1A1050032	C 10UF, 50V	1	
	C17208	F1H1A1050032	C 10UF, 50V	1	
	C17213	F1H1A1050032	C 10UF, 50V	1	
	C17221	F1H1C104A143	C 0.1UF, K, 16V	1	
	C17222	F1H1C104A143	C 0.1UF, K, 16V	1	
	C17223	F1H1C104A143	C 0.1UF, K, 16V	1	
	C17224	F1H1C104A143	C 0.1UF, K, 16V	1	
	C17226	F1L2E154A009	E 1500UF, 25V	1	
	C17227	F1L2E154A009	E 1500UF, 25V	1	
	C17228	F1L2E154A009	E 1500UF, 25V	1	
	C17229	F1L2E154A009	E 1500UF, 25V	1	
	C17230	F1L2E154A009	E 1500UF, 25V	1	
	C17231	F1L2E154A009	E 1500UF, 25V	1	
	C17232	F1L2E154A009	E 1500UF, 25V	1	
	C17233	F1L2E154A009	E 1500UF, 25V	1	
	C17234	F1L2E154A009	E 1500UF, 25V	1	
	C17235	F1L2E154A009	E 1500UF, 25V	1	
	C17241	F1H1A1050032	C 10UF, 50V	1	
	C17307	F1H1A1050032	C 10UF, 50V	1	
	C17310	F1H1A1050032	C 10UF, 50V	1	
	C17313	F1H1C104A143	C 0.1UF, K, 16V	1	
	C17314	F1H1C104A143	C 0.1UF, K, 16V	1	
	C17315	F1H1C104A143	C 0.1UF, K, 16V	1	
	C17316	F1H1C104A143	C 0.1UF, K, 16V	1	
	C17317	F1K2A105A006	C 1UF, 100V	1	
	C17318	F1L2E154A009	E 1500UF, 25V	1	
	C17319	F1L2E154A009	E 1500UF, 25V	1	
	C17320	F1L2E154A009	E 1500UF, 25V	1	
	C17321	F1L2E154A009	E 1500UF, 25V	1	
	C17323	F1L2E154A009	E 1500UF, 25V	1	
	C17324	F1L2E154A009	E 1500UF, 25V	1	
	C17325	F1L2E154A009	E 1500UF, 25V	1	
	C17326	F1L2E154A009	E 1500UF, 25V	1	
	C17327	F1H1A1050032	C 10UF, 50V	1	
	C17328	F1H1A1050032	C 10UF, 50V	1	
	CB1	K1MN68BA0052	68P CONNECTOR	1	
	CB2	K1MN68BA0052	68P CONNECTOR	1	
	CB3	K1MN68BA0052	68P CONNECTOR	1	
	CB4	K1MN68BA0052	68P CONNECTOR	1	
	CB5	K1MN68BA0052	68P CONNECTOR	1	
	CB6	K1MN68BA0052	68P CONNECTOR	1	
	CB7	K1MN68BA0052	68P CONNECTOR	1	
	CB8	K1MN68BA0052	68P CONNECTOR	1	
	CB9	K1MN68BA0052	68P CONNECTOR	1	
	CB10	K1MN68BA0052	68P CONNECTOR	1	
	CB11	K1MN68BA0052	68P CONNECTOR	1	
	CB12	K1MN68BA0052	68P CONNECTOR	1	
	CB13	K1MN68BA0052	68P CONNECTOR	1	
	CB14	K1MN68BA0052	68P CONNECTOR	1	
	CB15	K1MN68BA0052	68P CONNECTOR	1	
	D14903	BOHCMM000013	DIODE	1	
	D14904	BOHCMM000013	DIODE	1	
	D14905	BOHCMM000013	DIODE	1	
	D14906	BOHCMM000013	DIODE	1	
	D14907	BOHCMM000013	DIODE	1	
	D14908	BOHCMM000013	DIODE	1	
	D14909	MA3X152E0L	ZENER DIODE	1	
	D14910	MA2J11100L	DIODE	1	
	D14911	BOHCMM000013	DIODE	1	
	D14912	BOHCMM000013	DIODE	1	
	D14953	BOHCMM000013	DIODE	1	
	D14954	BOHCMM000013	DIODE	1	

Safety	Ref. No.	Part No.	Part Name & Description	Pcs	Remarks
	D14955	BOHCMM000013	DIODE	1	
	D14956	BOHCMM000013	DIODE	1	
	D14957	BOHCMM000013	DIODE	1	
	D14958	BOHCMM000013	DIODE	1	
	D14961	MA8056H	ZENER DIODE	1	
	D14974	MA3X152E0L	ZENER DIODE	1	
	D14975	MA2J11100L	DIODE	1	
	D14976	MA2J11100L	DIODE	1	
	D14977	BOHCMM000013	DIODE	1	
	D14978	BOHCMM000013	DIODE	1	
	D14979	MA2J11100L	DIODE	1	
	D16001	BOFBCN000005	DIODE	1	
	D16002	BOFBCN000005	DIODE	1	
	D16021	MA3DF30000LW	ZENER DIODE	1	
	D16022	MA3DF30000LW	ZENER DIODE	1	
	D16032	MA2J11100L	DIODE	1	
	D16041	MA3DF46000LW	ZENER DIODE	1	
	D16042	MA3DF46000LW	ZENER DIODE	1	
	D16050	BOECKP000047	DIODE	1	
	D16051	BOFBCN000005	DIODE	1	
	D16052	BOFBCN000005	DIODE	1	
	D16101	MA2D3900L	DIODE	1	
	D16131	BOECKP000047	DIODE	1	
	D16132	BOECKP000047	DIODE	1	
	D16151	BOECKP000047	DIODE	1	
	D16152	BOECKP000047	DIODE	1	
	D16153	BOECKP000047	DIODE	1	
	D16191	BOECKP000047	DIODE	1	
	D16192	MA2J11100L	DIODE	1	
	D16253	B3ABB0000210	LED	1	
	D16255	MA2J11100L	DIODE	1	
	D16280	MA2J11100L	DIODE	1	
	D16281	MAZ80510LL	ZENER DIODE	1	
	D16282	MAZ80680ML	ZENER DIODE	1	
	D16284	MA3X152D0L	DIODE	1	
	D16285	MA3X152D0L	DIODE	1	
	D16300	BOECKP000047	DIODE	1	
	D16301	MA3X152E0L	ZENER DIODE	1	
	D16302	MA2J11100L	DIODE	1	
	D16304	MAZ80510LL	ZENER DIODE	1	
	D16311	MAZ81500ML	ZENER DIODE	1	
	D16313	BOECKP000047	DIODE	1	
	D16321	BOECKP000047	DIODE	1	
	D16323	MAZ80330HL	ZENER DIODE	1	
	D16324	MA3X152D0L	DIODE	1	
	D16401	MA3DF50000LW	ZENER DIODE	1	
	D16402	MA3DF50000LW	ZENER DIODE	1	
	D16407	MA2D3900L	DIODE	1	
	D16411	MA2J11100L	DIODE	1	
	D16421	MA3DF40000LW	ZENER DIODE	1	
	D16422	MA3DF40000LW	ZENER DIODE	1	
	D16451	BOECKP000047	DIODE	1	
	D16461	MA3DF46000LW	ZENER DIODE	1	
	D16462	MA3DF46000LW	ZENER DIODE	1	
	D16466	MA2J11100L	DIODE	1	
	D16473	MA3X152D0L	DIODE	1	
	D16474	MA2J11100L	DIODE	1	
	D16475	MAZ80510LL	ZENER DIODE	1	
	D16476	MA2J11100L	DIODE	1	
	D16477	MA2J11100L	DIODE	1	
	D16478	BOHCKS000002	DIODE	1	
	D16480	MA2J11100L	DIODE	1	
	D16481	MA3DF46000RP	ZENER DIODE	1	
	D16482	MA3DF46000RP	ZENER DIODE	1	
	D16497	BOECKP000047	DIODE	1	
	D16503	BOHCKS000002	DIODE	1	
	D16522	BOECKP000047	DIODE	1	
	D16523	BOECKP000047	DIODE	1	
	D16524	BOECKP000047	DIODE	1	
	D16534	BOECKP000047	DIODE	1	
	D16535	BOECKP000047	DIODE	1	
	D16536	BOHCKS000002	DIODE	1	
	D16583	B3ABB0000210	LED	1	

Safety	Ref. No.	Part No.	Part Name & Description	Pcs	Remarks
	D16602	MA8120M	ZENER DIODE	1	
	D16604	MA2J11100L	DIODE	1	
	D16605	MAZ80510LL	ZENER DIODE	1	
	D16606	BOECKM000038	DIODE	1	
	D16607	MA2J11100L	DIODE	1	
	D16608	MA8120M	ZENER DIODE	1	
	D16609	MA2J11100L	DIODE	1	
	D16610	MA2J11100L	DIODE	1	
	D16618	BOECKP000047	DIODE	1	
	D16619	BOECKP000047	DIODE	1	
	D16621	BOFBCN000006	DIODE	1	
	D16631	MAZ81500ML	ZENER DIODE	1	
	D16632	MAZ81500ML	ZENER DIODE	1	
	D16633	MAZ81500ML	ZENER DIODE	1	
	D16641	MA3DF25000LW	ZENER DIODE	1	
	D16642	MA3DF25000LW	ZENER DIODE	1	
	D16660	BOHCM000014	DIODE	1	
	D16661	MA2J11100L	DIODE	1	
	D16662	MAZ81500ML	ZENER DIODE	1	
	D16663	MAZ81500ML	ZENER DIODE	1	
	D16664	MAZ81500ML	ZENER DIODE	1	
	D16665	MAZ80510LL	ZENER DIODE	1	
	D16667	MA2J11100L	DIODE	1	
	D16668	MA3X152D0L	DIODE	1	
	D16669	MA2J11100L	DIODE	1	
	D16671	MA2J11100L	DIODE	1	
	D16702	MA2J11100L	DIODE	1	
	D16710	MAZ815000L	ZENER DIODE	1	
	D16711	BOHCMR000002	DIODE	1	
	D16712	MAZ815000L	ZENER DIODE	1	
	D16713	BOHCMR000002	DIODE	1	
	D16714	MAZ815000L	ZENER DIODE	1	
	D16715	BOHCMR000002	DIODE	1	
	D16717	MA8330M	ZENER DIODE	1	
	D16718	MA2J11100L	DIODE	1	
	D16719	BOECKP000047	DIODE	1	
	D16720	BOECKP000047	DIODE	1	
	D16721	BOHCKS000002	DIODE	1	
	D16722	MA2J11100L	DIODE	1	
	D16725	MA2J11100L	DIODE	1	
	D16761	MA22D3900L	DIODE	1	
	D16764	BOHCKS000002	DIODE	1	
	D16765	BOECKP000047	DIODE	1	
	D16781	MA2J11100L	DIODE	1	
	D16791	MAZ82000ML	ZENER DIODE	1	
	D16792	MA2J11100L	DIODE	1	
	D16793	BOHCKS000002	DIODE	1	
	D16794	MA2J11100L	DIODE	1	
	D16820	MA3X152E0L	ZENER DIODE	1	
	D16821	MAZ82000ML	ZENER DIODE	1	
	D16822	MA2J11100L	DIODE	1	
	D16824	MA8330M	ZENER DIODE	1	
	D16825	MA8330M	ZENER DIODE	1	
	D16830	MA8056H	ZENER DIODE	1	
	D16836	MAZ815000L	ZENER DIODE	1	
	D16837	MA2J11100L	DIODE	1	
	D16838	BOBC027A0234	ZENER DIODE	1	
	D16839	BOECKP000047	DIODE	1	
	D16859	BOHCKS000002	DIODE	1	
	D16860	BOHCKS000002	DIODE	1	
	D16861	MA8330M	ZENER DIODE	1	
	D16862	MA8330M	ZENER DIODE	1	
	D16871	MAZ82000ML	ZENER DIODE	1	
	D16873	MAZ82000ML	ZENER DIODE	1	
	D16874	MAZ80510LL	ZENER DIODE	1	
	D16875	MA2J11100L	DIODE	1	
	FL17101	JOHABH000013	LC FILTER	1	
	FL17201	JOHABH000013	LC FILTER	1	
	FL17202	JOHABH000013	LC FILTER	1	
	FL17301	JOHABH000013	LC FILTER	1	
	IC14901	AN16182A-VT	IC	1	

Safety	Ref. No.	Part No.	Part Name & Description	Pcs	Remarks
	IC14902	AN16182A-VT	IC	1	
	IC14903	AN16182A-VT	IC	1	
	IC14904	AN16182A-VT	IC	1	
	IC14905	AN16182A-VT	IC	1	
	IC14906	AN16182A-VT	IC	1	
	IC14907	AN16182A-VT	IC	1	
	IC14908	AN16182A-VT	IC	1	
	IC14951	AN16182A-VT	IC	1	
	IC14952	AN16182A-VT	IC	1	
	IC14953	AN16182A-VT	IC	1	
	IC14954	AN16182A-VT	IC	1	
	IC14955	AN16182A-VT	IC	1	
	IC14956	AN16182A-VT	IC	1	
	IC14957	AN16182A-VT	IC	1	
	IC14958	AN16182A-VT	IC	1	
	IC14961	C0JBAZ000994	IC	1	
	IC14962	C0JBAZ000994	IC	1	
	IC14963	C0JBAA000321	IC	1	
	IC14964	C0JBAA000174	IC	1	
	IC14965	C0JBAA000321	IC	1	
	IC16131	COZBZ0000895	IC	1	
	IC16151	COZBZ0001324	IC	1	
	IC16241	C0JBAZ002811	IC	1	
	IC16251	COBBBA000024	IC	1	
	IC16301	MIP9L02MBS	IC	1	
	IC16302	COCBALC00012	IC	1	
	IC16303	C0JBAB000715	IC	1	
	IC16464	C0JBAB000715	IC	1	
	IC16465	C0JBAB000715	IC	1	
	IC16471	C0DBEKA00003	IC	1	
	IC16501	COZBZ0001324	IC	1	
	IC16521	COZBZ0001324	IC	1	
	IC16561	C0JBAZ002811	IC	1	
	IC16562	C0JBAZ002811	IC	1	
	IC16563	C0JBAZ000994	IC	1	
	IC16564	C0JBAB000715	IC	1	
	IC16581	COBBBA000024	IC	1	
	IC16724	COCBADC00072	IC	1	
	IC16725	COCBADC00072	IC	1	
	IC16771	COCBADC00072	IC	1	
	IC16772	COZBZ0001325	IC	1	
	IC16773	C0JBAB000715	IC	1	
	IC16784	MIP9L02MBS	IC	1	
	IC16786	MIP9L02MBS	IC	1	
	IC16787	C0DBEYY00078	IC	1	
	IC16788	MIP9L02MBS	IC	1	
	IC16789	C0DBEYY00078	IC	1	
	IC16791	EHMDD9863	LINEAR IC	1	
	IC16792	C0JBAA000377	IC	1	
	IC16801	C0DBEYY00078	IC	1	
	IC17101	C0JBAZ001120	IC	1	
	IC17102	C0JBAZ001120	IC	1	
	IC17103	C0JBAZ001120	IC	1	
	IC17104	C0JBAZ001120	IC	1	
	IC17105	C0JBAZ001120	IC	1	
	IC17106	C0JBAZ001120	IC	1	
	IC17201	C0JBAZ001120	IC	1	
	IC17202	C0JBAZ001120	IC	1	
	IC17203	C0JBAZ001120	IC	1	
	IC17204	C0JBAZ001120	IC	1	
	IC17301	C0JBAZ001120	IC	1	
	IC17302	C0JBAZ001120	IC	1	
	IC17303	C0JBAZ001120	IC	1	
	IC17304	C0JBAZ001120	IC	1	
	L16001	GOC1R4KA0118	PEAKING COIL	1	
	L16002	GOC1R4KA0118	PEAKING COIL	1	
	L16003	GOC1R4KA0118	PEAKING COIL	1	
	L16004	GOC1R4KA0118	PEAKING COIL	1	
	L16011	GOC1R4KA0118	PEAKING COIL	1	
	L16012	GOC1R4KA0118	PEAKING COIL	1	
	L16013	GOC1R4KA0118	PEAKING COIL	1	
	L16014	GOC1R4KA0118	PEAKING COIL	1	

Safety	Ref. No.	Part No.	Part Name & Description	Pcs	Remarks
	L16103	GOZZ00002183	PEAKING COIL	1	
	L16221	GOZZ00002183	PEAKING COIL	1	
	L16262	GOZZ00002183	PEAKING COIL	1	
	L16271	GOZZ00002183	PEAKING COIL	1	
	L16301	J0JHC0000031	CHIP INDUCTOR	1	
	L16398	J0JJC0000015	CHIP INDUCTOR	1	
	L16399	J0JJC0000015	CHIP INDUCTOR	1	
	L16402	G0C1R6KA0119	PEAKING COIL	1	
	L16403	G0C1R6KA0119	PEAKING COIL	1	
	L16404	G0C1R6KA0119	PEAKING COIL	1	
	L16405	G0C1R6KA0119	PEAKING COIL	1	
	L16406	G0C1R6KA0119	PEAKING COIL	1	
	L16411	G0C1R6KA0119	PEAKING COIL	1	
	L16413	G0C1R6KA0119	PEAKING COIL	1	
	L16414	G0C1R6KA0119	PEAKING COIL	1	
	L16415	G0C1R6KA0119	PEAKING COIL	1	
	L16416	G0C1R6KA0119	PEAKING COIL	1	
	L16472	GOZZ00002183	PEAKING COIL	1	
	L16697	G0C102KA0187	PEAKING COIL	1	
	L16698	G0C681KA0187	PEAKING COIL	1	
	L16699	G0C331KA0187	PEAKING COIL	1	
	L16801	GOZZ00002183	PEAKING COIL	1	
	PC14951	B3PBA0000457	IC	1	
	PC14952	B3PBA0000457	IC	1	
	PC14953	B3PBA0000456	IC	1	
	PC16191	B3PBA0000496	IC	1	
	PC16461	B3PBA0000457	IC	1	
	PC16480	B3PBA0000223	IC	1	
	PC16601	B3PBA0000223	IC	1	
	PC16603	B3PBA0000223	IC	1	
	PC16684	B3PBA0000496	IC	1	
	PC16685	B3PBA0000496	IC	1	
	PC16896	B3PBA0000223	IC	1	
	PC16897	B3PBA0000223	IC	1	
⚠	PCB	TNPA4443	CIRCUIT BOARD C1	1	
⚠	PCB	TNPA4444	CIRCUIT BOARD C2	1	
⚠	PCB	TNPA4445	CIRCUIT BOARD C3	1	
⚠	PCB	TNPA4657AB	CIRCUIT BOARD SC	1	
⚠	PCB	TNPA4404	CIRCUIT BOARD SD	1	
⚠	PCB	TNPA4658AB	CIRCUIT BOARD SS	1	
⚠	PCB	TNPA4403	CIRCUIT BOARD SU	1	
	Q16001	B1JAEN000004	TRANSISTOR	1	
	Q16002	B1JAEN000004	TRANSISTOR	1	
	Q16003	B1JAEN000004	TRANSISTOR	1	
	Q16022	B1JAEN000004	TRANSISTOR	1	
	Q16023	B1JAEN000004	TRANSISTOR	1	
	Q16024	B1JAEN000004	TRANSISTOR	1	
	Q16041	B1JAEN000003	TRANSISTOR	1	
	Q16051	B1JAEN000003	TRANSISTOR	1	
	Q16055	B1HFPPA00001	TRANSISTOR	1	
	Q16056	B1HFPPA00001	TRANSISTOR	1	
	Q16101	2SK4174000RP	FET	1	
	Q16102	2SK4175000LZ	FET	1	
	Q16141	B1HFPPA00001	TRANSISTOR	1	
	Q16161	B1HFPPA00001	TRANSISTOR	1	
	Q16191	B1HFPPA00001	TRANSISTOR	1	
	Q16251	2SD0601ARL	TRANSISTOR	1	
	Q16280	2SD0601ARL	TRANSISTOR	1	
	Q16301	B1CBGD000001	FET	1	
	Q16302	B1CFNG000001	FET	1	
	Q16304	2SB0709ARL	TRANSISTOR	1	
	Q16331	B1CERL000012	FET	1	
	Q16339	2SK417300L	FET	1	
	Q16401	2PG0090000RP	TRANSISTOR	1	
	Q16402	2PG0090000RP	TRANSISTOR	1	
	Q16404	2PG0090000RP	TRANSISTOR	1	
	Q16421	B1JAEP000005	TRANSISTOR	1	
	Q16422	B1JAEP000005	TRANSISTOR	1	
	Q16423	B1JAEP000005	TRANSISTOR	1	

Safety	Ref. No.	Part No.	Part Name & Description	Pcs	Remarks
	Q16441	B1JAEP000003	TRANSISTOR	1	
	Q16442	B1JAEP000003	TRANSISTOR	1	
	Q16451	B1JAEP000003	TRANSISTOR	1	
	Q16471	B1ABCF000231	TRANSISTOR	1	
	Q16501	B1HFPPA00001	TRANSISTOR	1	
	Q16502	B1HFPPA00001	TRANSISTOR	1	
	Q16521	B1HFPPA00001	TRANSISTOR	1	
	Q16522	B1HFPPA00001	TRANSISTOR	1	
	Q16531	B1HFPPA00001	TRANSISTOR	1	
	Q16551	B1HFPPA00001	TRANSISTOR	1	
	Q16601	B1DEET000002	FET	1	
	Q16602	2SD0601AQL	TRANSISTOR	1	
	Q16603	2SB0709ARL	TRANSISTOR	1	
	Q16604	B1CHPM000001	FET	1	
	Q16606	2SD0601AQL	TRANSISTOR	1	
	Q16607	B1CBGD000001	FET	1	
	Q16609	B1CFHL000002	FET	1	
	Q16621	2SK4208000RP	FET	1	
	Q16622	2SK4208000RP	FET	1	
	Q16641	B1JADN000004	TRANSISTOR	1	
	Q16642	B1JADN000004	TRANSISTOR	1	
	Q16661	B1JAER000004	TRANSISTOR	1	
	Q16662	2SD0601AQL	TRANSISTOR	1	
	Q16663	2SB0709ARL	TRANSISTOR	1	
	Q16664	B1HFPPA00001	TRANSISTOR	1	
	Q16665	B1ABCF000231	TRANSISTOR	1	
	Q16667	B1ADCN000007	TRANSISTOR	1	
	Q16701	B1ADCN000007	TRANSISTOR	1	
	Q16702	B1ABCF000231	TRANSISTOR	1	
	Q16743	2SD0601ARL	TRANSISTOR	1	
	Q16762	B1ADNF000006	TRANSISTOR	1	
	Q16781	B1HFPPA00001	TRANSISTOR	1	
	Q16795	2SD0601ARL	TRANSISTOR	1	
	Q16796	2SC1473A	TRANSISTOR	1	
	Q16801	B1ADCN000007	TRANSISTOR	1	
	Q16805	2SC3063000RL	TRANSISTOR	1	
	Q16806	2SC1473AEA	TRANSISTOR	1	
	Q16810	B1ABCF000231	TRANSISTOR	1	
	Q16814	B1ABCN000007	TRANSISTOR	1	
	Q16815	B1ABCN000007	TRANSISTOR	1	
	Q16816	2SD0601AQL	TRANSISTOR	1	
	Q16817	2SD0601AQL	TRANSISTOR	1	
	Q16871	2SB0709ARL	TRANSISTOR	1	
	Q16872	2SB0709ARL	TRANSISTOR	1	
	Q16873	B1ABCF000231	TRANSISTOR	1	
	Q16874	B1CBGD000001	FET	1	
	Q16875	B1ABCF000231	TRANSISTOR	1	
	Q16876	B1ABCF000231	TRANSISTOR	1	
	Q16879	B1ABCF000231	TRANSISTOR	1	
	R14349	DOGD103JA036	M 10KOHM, J, 0.25W	1	
	R14350	DOGD101JA036	M 100 OHM, J, 0.25W	1	
	R14351	DOGD103JA036	M 10KOHM, J, 0.25W	1	
	R14353	DOGDR00Z0002	M 0 OHM, 1/10W	1	
	R14354	ERJ6GEYJ221V	M 220 OHM, J, 1/10W	1	
	R14356	DOGDR00Z0002	M 0 OHM, 1/10W	1	
	R14357	ERJ6GEYJ221V	M 220 OHM, J, 1/10W	1	
	R14359	DOGDR00Z0002	M 0 OHM, 1/10W	1	
	R14360	ERJ6GEYJ221V	M 220 OHM, J, 1/10W	1	
	R14362	DOGDR00Z0002	M 0 OHM, 1/10W	1	
	R14363	ERJ6GEYJ221V	M 220 OHM, J, 1/10W	1	
	R14365	DOGDR00Z0002	M 0 OHM, 1/10W	1	
	R14366	ERJ6GEYJ221V	M 220 OHM, J, 1/10W	1	
	R14368	DOGDR00Z0002	M 0 OHM, 1/10W	1	
	R14369	ERJ6GEYJ221V	M 220 OHM, J, 1/10W	1	
	R14371	DOGDR00Z0002	M 0 OHM, 1/10W	1	
	R14372	ERJ6GEYJ221V	M 220 OHM, J, 1/10W	1	

Safety	Ref. No.	Part No.	Part Name & Description	Pcs	Remarks
	R14374	D0GDR00Z0002	M 0 OHM, 1/10W	1	
	R14375	D0GDR00Z0002	M 0 OHM, 1/10W	1	
	R14376	D0GDR00Z0002	M 0 OHM, 1/10W	1	
	R14378	D0GDR00Z0002	M 0 OHM, 1/10W	1	
	R14380	D0GDR00Z0002	M 0 OHM, 1/10W	1	
	R14381	D0GDR00Z0002	M 0 OHM, 1/10W	1	
	R14382	D0GDR00Z0002	M 0 OHM, 1/10W	1	
	R14384	D0GDR00Z0002	M 0 OHM, 1/10W	1	
	R14386	D0GDR00Z0002	M 0 OHM, 1/10W	1	
	R14387	D0GDR00Z0002	M 0 OHM, 1/10W	1	
	R14388	D0GDR00Z0002	M 0 OHM, 1/10W	1	
	R14390	D0GDR00Z0002	M 0 OHM, 1/10W	1	
	R14392	D0GDR00Z0002	M 0 OHM, 1/10W	1	
	R14393	D0GDR00Z0002	M 0 OHM, 1/10W	1	
	R14394	D0GDR00Z0002	M 0 OHM, 1/10W	1	
	R14398	D0GDR00Z0002	M 0 OHM, 1/10W	1	
	R14901	D0GD101JA036	M 100 OHM, J, 0.25W	1	
	R14902	ERJ6GEYJ221V	M 220 OHM, J, 1/10W	1	
	R14903	ERJ6GEYJ221V	M 220 OHM, J, 1/10W	1	
	R14904	ERJ6GEYJ221V	M 220 OHM, J, 1/10W	1	
	R14905	ERJ6GEYJ221V	M 220 OHM, J, 1/10W	1	
	R14906	ERJ6GEYJ221V	M 220 OHM, J, 1/10W	1	
	R14907	ERJ3GEYJ220	M 22 OHM, J, 1/16W	1	
	R14908	ERJ3GEYJ220	M 22 OHM, J, 1/16W	1	
	R14909	ERJ3GEYJ220	M 22 OHM, J, 1/16W	1	
	R14910	ERJ3GEYJ220	M 22 OHM, J, 1/16W	1	
	R14911	D0GD103JA036	M 10KOHM, J, 0.25W	1	
	R14912	D0GD103JA036	M 10KOHM, J, 0.25W	1	
	R14913	D0GD103JA036	M 10KOHM, J, 0.25W	1	
	R14914	D0GD103JA036	M 10KOHM, J, 0.25W	1	
	R14915	ERJ3GEYJ220	M 22 OHM, J, 1/16W	1	
	R14916	D0GD103JA036	M 10KOHM, J, 0.25W	1	
	R14917	ERJ3GEYJ220	M 22 OHM, J, 1/16W	1	
	R14919	ERJ3GEYJ220	M 22 OHM, J, 1/16W	1	
	R14920	ERJ3GEYJ220	M 22 OHM, J, 1/16W	1	
	R14921	ERJ8GEYJ224V	M 220KOHM, J, 1/8W	1	
	R14923	D0GD103JA036	M 10KOHM, J, 0.25W	1	
	R14924	D0GD103JA036	M 10KOHM, J, 0.25W	1	
	R14925	D0GD103JA036	M 10KOHM, J, 0.25W	1	
	R14926	D0GD103JA036	M 10KOHM, J, 0.25W	1	
	R14928	ERJ6GEYJ221V	M 220 OHM, J, 1/10W	1	
	R14929	ERJ6GEYJ221V	M 220 OHM, J, 1/10W	1	
	R14930	D0GDR00Z0002	M 0 OHM, 1/10W	1	
	R14931	ERJ6GEYJ220	M 22 OHM, J, 1/16W	1	
	R14932	D0GDR00Z0002	M 0 OHM, 1/10W	1	
	R14934	ERJ3GEYJ470	M 47 OHM, J, 1/16W	1	
	R14935	ERJ6GEYJ222V	M 2.2K OHM J 1/10W	1	
	R14936	ERJ6GEYJ472V	M 4.7K OHM J 1/10W	1	
	R14937	ERJ6GEYJ102V	M 1K OHM J 1/10W	1	
	R14939	D0GDR00Z0002	M 0 OHM, 1/10W	1	
	R14940	D0GDR00Z0002	M 0 OHM, 1/10W	1	
	R14942	D0GDR00Z0002	M 0 OHM, 1/10W	1	
	R14943	ERJ6GEYJ470V	M 47 OHM, J, 1/16W	1	
	R14944	ERJ6GEYJ100V	M 10 OHM, J, 1/10W	1	
	R14949	ERJ6GEYJ203	M 20KOHM, J, 1/10W	1	
	R14950	D0GD103JA036	M 10KOHM, J, 0.25W	1	
	R14951	D0GDR00Z0002	M 0 OHM, 1/10W	1	
	R14952	D0GDR00Z0002	M 0 OHM, 1/10W	1	
	R14953	D0GDR00Z0002	M 0 OHM, 1/10W	1	
	R14954	D0GDR00Z0002	M 0 OHM, 1/10W	1	
	R14955	D0GDR00Z0002	M 0 OHM, 1/10W	1	
	R14956	ERJ3GEYJ220	M 22 OHM, J, 1/16W	1	
	R14957	ERJ3GEYJ220	M 22 OHM, J, 1/16W	1	
	R14958	ERJ3GEYJ220	M 22 OHM, J, 1/16W	1	

Safety	Ref. No.	Part No.	Part Name & Description	Pcs	Remarks
	R14959	ERJ3GEYJ220	M 22 OHM, J, 1/16W	1	
	R14960	ERJ3GEYJ220	M 22 OHM, J, 1/16W	1	
	R14961	ERJ6GEYJ331V	M 330 OHM J 1/10W	1	
	R14962	ERJ6GEYJ331V	M 330 OHM J 1/10W	1	
	R14963	ERJ6GEYJ331V	M 330 OHM J 1/10W	1	
	R14964	ERJ3GEYJ220	M 22 OHM, J, 1/16W	1	
	R14965	ERJ6GEYJ331V	M 330 OHM J 1/10W	1	
	R14966	ERJ3GEYJ220	M 22 OHM, J, 1/16W	1	
	R14967	ERJ3GEYJ220	M 22 OHM, J, 1/16W	1	
	R14971	ERJ6GEYJ220	M 22 OHM, J, 1/16W	1	
	R14973	ERJ3GEYJ470	M 47 OHM, J, 1/16W	1	
	R14974	ERJ3GEYJ470	M 47 OHM, J, 1/16W	1	
	R14975	ERJ3GEYJ470	M 47 OHM, J, 1/16W	1	
	R14976	ERJ3GEYJ470	M 47 OHM, J, 1/16W	1	
	R14977	ERJ6GEYJ222V	M 2.2K OHM J 1/10W	1	
	R14978	ERJ6GEYJ222V	M 2.2K OHM J 1/10W	1	
	R14979	ERJ6GEYJ222V	M 2.2K OHM J 1/10W	1	
	R14980	D0GDR00Z0002	M 0 OHM, 1/10W	1	
	R14981	D0GD103JA036	M 10KOHM, J, 0.25W	1	
	R14982	D0GD103JA036	M 10KOHM, J, 0.25W	1	
	R14984	D0GD103JA036	M 10KOHM, J, 0.25W	1	
	R14986	ERJ8GEYJ224V	M 220KOHM, J, 1/8W	1	
	R14987	ERJ3GEYJ470	M 47 OHM, J, 1/16W	1	
	R14988	ERJ6GEYJ222V	M 2.2K OHM J 1/10W	1	
	R14990	D0GD103JA036	M 10KOHM, J, 0.25W	1	
	R14991	ERJ3GEYJ220	M 22 OHM, J, 1/16W	1	
	R14992	ERJ3GEYJ470	M 47 OHM, J, 1/16W	1	
	R14993	ERJ3GEYJ470	M 47 OHM, J, 1/16W	1	
	R14994	ERJ3GEYJ470	M 47 OHM, J, 1/16W	1	
	R14995	D0GD103JA036	M 10KOHM, J, 0.25W	1	
	R14996	D0GD103JA036	M 10KOHM, J, 0.25W	1	
	R14997	D0GD103JA036	M 10KOHM, J, 0.25W	1	
	R14998	D0GD103JA036	M 10KOHM, J, 0.25W	1	
	R14999	ERJ6GEYJ331V	M 330 OHM J 1/10W	1	
	R16001	ERJT08J7R5V	M 7.5OHM, J, 0.33W	1	
	R16002	ERJT08J7R5V	M 7.5OHM, J, 0.33W	1	
	R16003	ERJT08J7R5V	M 7.5OHM, J, 0.33W	1	
	R16022	ERJT08J7R5V	M 7.5OHM, J, 0.33W	1	
	R16023	ERJT08J7R5V	M 7.5OHM, J, 0.33W	1	
	R16024	ERJT08J7R5V	M 7.5OHM, J, 0.33W	1	
	R16031	ERJ6ENF8202	M 82KOHM, 1/10W	1	
	R16032	ERJ6ENF8202	M 82KOHM, 1/10W	1	
	R16033	ERJ6ENF5602	M 56KOHM, 1/10W	1	
	R16034	ERJ6ENF2702	M 27KOHM, 1/10W	1	
	R16041	ERJT08J5R6V	M 5.6 OHM, F, 0.33W	1	
	R16051	ERJT08J5R6V	M 5.6 OHM, F, 0.33W	1	
	R16101	ERJT06J221V	M 220 OHM, F, 0.25W	1	
	R16102	ERJT06J221V	M 220 OHM, F, 0.25W	1	
	R16103	ERJT06J100V	M 10 OHM, F, 0.25W	1	
	R16104	ERJT06J100V	M 10 OHM, F, 0.25W	1	
	R16105	ERJ8GEYJ474	M 470KOHM, J, 1/8W	1	
	R16109	ERJT06J100V	M 10 OHM, F, 0.25W	1	
	R16110	ERJ6GEYF473	M 47KOHM, J, 1/10W	1	
	R16116	ERJ6GEYF473	M 47KOHM, J, 1/10W	1	
	R16131	D0GD101JA036	M 100 OHM, J, 0.25W	1	

Safety	Ref. No.	Part No.	Part Name & Description	Pcs	Remarks
	R16132	D0GD101JA036	M 100 OHM, J, 0.25W	1	
	R16134	ERJT06J750V	M 75 OHM, F, 0.25W	1	
	R16137	ERJT08J1ROV	M 1.8OHM, J, 0.33W	1	
	R16138	ERJT08J1ROV	M 1.8OHM, J, 0.33W	1	
	R16139	ERJT08J1ROV	M 1.8OHM, J, 0.33W	1	
	R16141	ERJT06J100V	M 10 OHM, F, 0.25W	1	
	R16142	ERJ6GEYF473	M 47KOHM, J, 1/10W	1	
	R16143	ERJ6GEYF473	M 47KOHM, J, 1/10W	1	
	R16151	D0GD101JA036	M 100 OHM, J, 0.25W	1	
	R16152	D0GD101JA036	M 100 OHM, J, 0.25W	1	
	R16154	ERJT06J750V	M 75 OHM, F, 0.25W	1	
	R16155	ERJT08J1ROV	M 1.8OHM, J, 0.33W	1	
	R16159	ERJT08J1ROV	M 1.8OHM, J, 0.33W	1	
	R16161	ERJT06J100V	M 10 OHM, F, 0.25W	1	
	R16162	ERJ6GEYF473	M 47KOHM, J, 1/10W	1	
	R16163	ERJ6GEYF473	M 47KOHM, J, 1/10W	1	
	R16171	ERJT06J100V	M 10 OHM, F, 0.25W	1	
	R16172	ERJ6GEYF473	M 47KOHM, J, 1/10W	1	
	R16173	ERJ6GEYF473	M 47KOHM, J, 1/10W	1	
	R16181	ERJT06J100V	M 10 OHM, F, 0.25W	1	
	R16182	ERJ6GEYF473	M 47KOHM, J, 1/10W	1	
	R16183	ERJ6GEYF473	M 47KOHM, J, 1/10W	1	
	R16191	ERJ6GEYJ151V	M 150 OHM, J, 1/10W	1	
	R16192	ERJ6GEYJ103V	M 10K OHM J 1/10W	1	
	R16195	ERJT08J1ROV	M 1.8OHM, J, 0.33W	1	
	R16220	ERJ6GEYJ470V	M 47 OHM, J, 1/10W	1	
	R16221	ERJ6GEYJ472V	M 4.7K OHM J 1/10W	1	
	R16230	ERJ6GEYJ470V	M 47 OHM, J, 1/10W	1	
	R16231	ERJ6GEYJ472V	M 4.7K OHM J 1/10W	1	
	R16241	EXB38V470J	RESISTOR ARRAY	1	
	R16242	EXB38V472JV	RESISTOR ARRAY	1	
	R16251	ERJ6ENF1401	M 1.4KOHM, 1/10W	1	
	R16252	ERJ6ENF3902	M 39KOHM, 1/10W	1	
	R16253	ERJ6ENF3902	M 39KOHM, 1/10W	1	
	R16254	ERJ6ENF6801	M 6.8KOHM, 1/10W	1	
	R16255	ERJ6ENF1201	M 1.2KOHM, 1/10W	1	
	R16256	ERJ6ENF1501	M 1.5KOHM, 1/10W	1	
	R16257	D0GD273JA036	M 27KOHM, J, 0.25W	1	
	R16258	ERJ6GEYJ103V	M 10K OHM J 1/10W	1	
	R16260	ERJ6GEYJ222V	M 2.2K OHM J 1/10W	1	
	R16261	ERJ6GEYJ104V	M 100KOHM, J, 1/10W	1	
	R16280	ERJ6GEYJ222V	M 2.2K OHM J 1/10W	1	
	R16281	D0GD103JA036	M 10KOHM, J, 0.25W	1	
	R16282	ERJ6GEYJ221V	M 220 OHM, J, 1/10W	1	
	R16283	ERJ6GEYF473	M 47KOHM, J, 1/10W	1	
	R16284	ERJ6GEYJ224	M 220KOHM, J, 1/10W	1	
	R16285	EXB38V623J	RESISTOR ARRAY	1	
	R16287	ERJT08J334V	M 330KOHM, F, 0.33W	1	
	R16288	ERJT08J334V	M 330KOHM, F, 0.33W	1	
	R16289	ERJT08J334V	M 330KOHM, F, 0.33W	1	
	R16290	ERJT08J334V	M 330KOHM, F, 0.33W	1	
	R16300	ERJT08J102V	M 1KOHM, J, 0.33W	1	
	R16301	ERJ6GEYJ472V	M 4.7K OHM J 1/10W	1	
	R16302	ERJ8GEYJ333	M 33KOHM, J, 1/8W	1	

Safety	Ref. No.	Part No.	Part Name & Description	Pcs	Remarks
	R16303	D0GD101JA036	M 100 OHM, J, 0.25W	1	
	R16304	ERJT08J751	M750 OHM, F, 0.33W	1	
	R16305	ERJ6GEYJ271V	M 270 OHM J 1/10W	1	
	R16306	D0GD101JA036	M 100 OHM, J, 0.25W	1	
	R16308	D0GD101JA036	M 100 OHM, J, 0.25W	1	
	R16309	ERJ8GEYJ333	M 33KOHM, J, 1/8W	1	
	R16310	ERJ6GEYJ223	M 22KOHM, J, 1/10W	1	
	R16311	ERJ6GEYJ124V	M 120KOHM, J, 1/10W	1	
	R16312	ERJ6GEYJ124V	M 120KOHM, J, 1/10W	1	
	R16313	ERJ6ENF5232	M52.3KOHM, 1/10W	1	
	R16314	ERJ6ENF6652	M66.5KOHM, 1/10W	1	
	R16315	ERJ6ENF1241	M1.24KOHM, 1/10W	1	
	R16316	ERJ6GEYJ103V	M 10K OHM J 1/10W	1	
	R16321	ERJ6GEYF473	M 47KOHM, J, 1/10W	1	
	R16322	ERJ6GEYF561	M 560 OHM, F, 1/10W	1	
	R16323	ERJ6GEYJ103V	M 10K OHM J 1/10W	1	
	R16324	ERJ6GEYF473	M 47KOHM, J, 1/10W	1	
	R16325	D0GDR00Z0002	M 0 OHM, 1/10W	1	
	R16331	ERJT06J101V	M 100 OHM, F, 0.25W	1	
	R16333	ERJ6ENF3303	M 330KOHM, 1/10W	1	
	R16338	ERJT06J101V	M 100 OHM, F, 0.25W	1	
	R16339	ERJ6ENF3303	M 330KOHM, 1/10W	1	
	R16401	ERJT08J7R5V	M 7.5OHM, J, 0.33W	1	
	R16402	ERJT08J7R5V	M 7.5OHM, J, 0.33W	1	
	R16404	ERJT08J7R5V	M 7.5OHM, J, 0.33W	1	
	R16410	ERJ6GEYJ391	M 390 OHM, F, 1/10W	1	
	R16411	ERJ6ENF2700	M 270 OHM, 1/10W	1	
	R16414	ERJ6GEYJ331V	M 330 OHM J 1/10W	1	
	R16415	ERJ6GEYJ331V	M 330 OHM J 1/10W	1	
	R16416	D0GD103JA036	M 10KOHM, J, 0.25W	1	
	R16421	ERJT08J7R5V	M 7.5OHM, J, 0.33W	1	
	R16422	ERJT08J7R5V	M 7.5OHM, J, 0.33W	1	
	R16423	ERJT08J7R5V	M 7.5OHM, J, 0.33W	1	
	R16441	ERJT08J5R6V	M 5.6 OHM, F, 0.33W	1	
	R16442	ERJT08J5R6V	M 5.6 OHM, F, 0.33W	1	
	R16451	ERJT08J5R6V	M 5.6 OHM, F, 0.33W	1	
	R16465	ERJ6ENF2702	M 27KOHM, 1/10W	1	
	R16466	ERJ6ENF5602	M 56KOHM, 1/10W	1	
	R16467	ERJ6ENF8202	M 82KOHM, 1/10W	1	
	R16468	ERJ6ENF8202	M 82KOHM, 1/10W	1	
	R16471	ERJ6GEYJ392	M 3.9KOHM, J, 1/10W	1	
	R16472	ERJ6GEYJ222V	M 2.2K OHM J 1/10W	1	
	R16473	ERJ6GEYF561	M 560 OHM, F, 1/10W	1	
	R16474	ERJ6GEYJ102V	M 1K OHM J 1/10W	1	
	R16475	ERJ6GEYJ472V	M 4.7K OHM J 1/10W	1	
	R16476	ERJ6GEYJ472V	M 4.7K OHM J 1/10W	1	
	R16478	ERJ6GEYJ562V	M 5.6KOHM, J, 1/10W	1	
	R16479	D0GD103JA036	M 10KOHM, J, 0.25W	1	
	R16480	ERJ6GEYJ472V	M 4.7K OHM J 1/10W	1	

Safety	Ref. No.	Part No.	Part Name & Description	Pcs	Remarks
	R16500	ERJT08J2R2V	M 2.20HM, J, 0.33W	1	
	R16501	D0GD101JA036	M 100 OHM, J, 0.25W	1	
	R16502	D0GD101JA036	M 100 OHM, J, 0.25W	1	
	R16503	ERJT06J100V	M 10 OHM, F, 0.25W	1	
	R16504	ERJT06J750V	M 75 OHM, F, 0.25W	1	
	R16505	ERJT06J100V	M 10 OHM, F, 0.25W	1	
	R16506	ERJT06J100V	M 10 OHM, F, 0.25W	1	
	R16507	ERJT06J100V	M 10 OHM, F, 0.25W	1	
	R16509	ERJT08J1R0V	M 1.80HM, J, 0.33W	1	
	R16510	ERJT14J1R0U	M 1.0 OHM, J, 1/4W	1	
	R16511	ERJ6GEYF473	M 47KOHM, J, 1/10W	1	
	R16512	ERJ6GEYF473	M 47KOHM, J, 1/10W	1	
	R16513	ERJ6GEYF473	M 47KOHM, J, 1/10W	1	
	R16514	ERJ6GEYF473	M 47KOHM, J, 1/10W	1	
	R16516	ERJ6GEYF473	M 47KOHM, J, 1/10W	1	
	R16517	ERJ6GEYF473	M 47KOHM, J, 1/10W	1	
	R16518	ERJ6GEYF473	M 47KOHM, J, 1/10W	1	
	R16519	ERJ6GEYF473	M 47KOHM, J, 1/10W	1	
	R16521	D0GD101JA036	M 100 OHM, J, 0.25W	1	
	R16522	D0GD101JA036	M 100 OHM, J, 0.25W	1	
	R16523	ERJT06J750V	M 75 OHM, F, 0.25W	1	
	R16531	ERJT06J100V	M 10 OHM, F, 0.25W	1	
	R16532	ERJ6GEYF473	M 47KOHM, J, 1/10W	1	
	R16533	ERJ6GEYF473	M 47KOHM, J, 1/10W	1	
	R16534	ERJT08J1R0V	M 1.80HM, J, 0.33W	1	
	R16535	ERJT08J1R0V	M 1.80HM, J, 0.33W	1	
	R16536	ERJT08J1R0V	M 1.80HM, J, 0.33W	1	
	R16551	ERJT06J100V	M 10 OHM, F, 0.25W	1	
	R16552	ERJ6GEYF473	M 47KOHM, J, 1/10W	1	
	R16553	ERJ6GEYF473	M 47KOHM, J, 1/10W	1	
	R16561	EXB38V470J	RESISTOR ARRAY	1	
	R16562	EXB38V470J	RESISTOR ARRAY	1	
	R16563	EXB38V470J	RESISTOR ARRAY	1	
	R16564	EXB38V470J	RESISTOR ARRAY	1	
	R16565	EXB38V472JV	RESISTOR ARRAY	1	
	R16566	EXB38V472JV	RESISTOR ARRAY	1	
	R16567	EXB38V472JV	RESISTOR ARRAY	1	
	R16568	EXB38V472JV	RESISTOR ARRAY	1	
	R16570	EXB38V472JV	RESISTOR ARRAY	1	
	R16573	ERJ6GEYJ220	M 22 OHM, J, 1/10W	1	
	R16579	EXB38V470J	RESISTOR ARRAY	1	
	R16582	ERJ6ENF3902	M 39KOHM, 1/10W	1	
	R16583	ERJ6ENF3902	M 39KOHM, 1/10W	1	
	R16584	ERJ6ENF6801	M 6.8KOHM, 1/10W	1	
	R16585	ERJ6ENF1201	M 1.2KOHM, 1/10W	1	
	R16586	ERJ6ENF1501	M 1.5KOHM, 1/10W	1	
	R16587	ERJ6GEYJ222V	M 2.2K OHM J 1/10W	1	
	R16588	D0GD103JA036	M 10KOHM, J, 0.25W	1	
	R16590	ERJ6GEYJ221V	M 220 OHM, J, 1/10W	1	
	R16591	EXB38V472JV	RESISTOR ARRAY	1	
	R16592	ERJ6GEYJ472V	M 4.7K OHM J 1/10W	1	
	R16593	ERJ6ENF1401	M 1.4KOHM, 1/10W	1	
	R16602	ERJ6GEYJ102V	M 1K OHM J 1/10W	1	
	R16604	ERJ6GEYJ331V	M 330 OHM J 1/10W	1	
	R16605	ERJ6GEYJ471	M 470 OHM, J, 1/10W	1	
	R16606	D0GD103JA036	M 10KOHM, J, 0.25W	1	
	R16607	ERJ6ENF7151	M 7.15KOHM, 1/10W	1	
	R16608	ERJT08J102V	M 1KOHM, J, 0.33W	1	
	R16609	ERJT08J102V	M 1KOHM, J, 0.33W	1	
	R16610	ERJ6GEYJ104V	M 100KOHM, J, 1/10W	1	
	R16611	ERJ8GEYJ683V	M 68KOHM, J, 1/8W	1	

Safety	Ref. No.	Part No.	Part Name & Description	Pcs	Remarks
	R16612	ERJT06J470V	M 47 OHM, F, 0.25W	1	
	R16613	ERJ8GEYJ473	M 47KOHM, J, 1/8W	1	
	R16614	ERJ8GEYJ683V	M 68KOHM, J, 1/8W	1	
	R16615	ERJ6ENF1101	M 1.1KOHM, 1/10W	1	
	R16617	ERJ6GEYJ222V	M 2.2K OHM J 1/10W	1	
	R16621	ERJ6GEYF561	M 560 OHM, F, 1/10W	1	
	R16622	ERJ6GEYF561	M 560 OHM, F, 1/10W	1	
	R16631	D0GD103JA036	M 10KOHM, J, 0.25W	1	
	R16633	ERJ6GEYJ223	M 22KOHM, J, 1/10W	1	
	R16634	ERJ6GEYJ221V	M 220 OHM, J, 1/10W	1	
	R16638	D0GZ6R8JA020	M 6.8 OHM, J, 0.5W	1	
	R16641	ERJT06J330V	M 33 OHM, F, 0.25W	1	
	R16642	ERJT06J330V	M 33 OHM, F, 0.25W	1	
	R16661	ERJ6GEYG182	M 1.8KOHM, J, 1/10W	1	
	R16662	ERJ6ENF2201	M 2.2KOHM, 1/10W	1	
	R16663	ERJ6GEYJ562V	M 5.6KOHM, J, 1/10W	1	
	R16664	D0GZ102JA020	M 1KOHM, J, 1/16W	1	
	R16665	ERJT06J330V	M 33 OHM, F, 0.25W	1	
	R16666	D0GD103JA036	M 10KOHM, J, 0.25W	1	
	R16668	ERJ6GEYF473	M 47KOHM, J, 1/10W	1	
	R16669	ERJ6GEYJ472V	M 4.7K OHM J 1/10W	1	
	R16670	ERJT06J470V	M 47 OHM, F, 0.25W	1	
	R16671	ERJ6GEYF473	M 47KOHM, J, 1/10W	1	
	R16672	ERJ6GEYJ102V	M 1K OHM J 1/10W	1	
	R16674	D0GZ102JA020	M 1KOHM, J, 1/16W	1	
	R16676	ERJ6GEYJ472V	M 4.7K OHM J 1/10W	1	
	R16677	ERJ6RBD152	M 1.5KOHM, J, 1/10W	1	
	R16678	ERJ8GEYJ563	M 56KOHM, J, 1/8W	1	
	R16681	ERJT06J100V	M 10 OHM, F, 0.25W	1	
	R16682	ERJT06J100V	M 10 OHM, F, 0.25W	1	
	R16684	ERJ6GEYJ221V	M 220 OHM, J, 1/10W	1	
	R16685	ERJ6GEYJ221V	M 220 OHM, J, 1/10W	1	
	R16696	ERF5TK2R2	W 2.2 OHM, K, 5W	1	
	R16700	ERJ6GEYJ472V	M 4.7K OHM J 1/10W	1	
	R16701	D0GD103JA036	M 10KOHM, J, 0.25W	1	
	R16702	ERJ6GEYJ332V	M 3.3K OHM J 1/10W	1	
	R16703	D0GD103JA036	M 10KOHM, J, 0.25W	1	
	R16704	D0GD103JA036	M 10KOHM, J, 0.25W	1	
	R16707	ERJ6GEYG392	M 3.9KOHM, J, 1/10W	1	
	R16711	ERJ6GEYJ472V	M 4.7K OHM J 1/10W	1	
	R16712	ERJ6GEYJ102V	M 1K OHM J 1/10W	1	
	R16717	ERJ6GEYJ102V	M 1K OHM J 1/10W	1	
	R16719	ERJ3GEYJ220	M 22 OHM, J, 1/16W	1	
	R16720	ERJ3GEYJ220	M 22 OHM, J, 1/16W	1	
	R16721	ERJ3GEYJ220	M 22 OHM, J, 1/16W	1	
	R16722	ERJ3GEYJ220	M 22 OHM, J, 1/16W	1	
	R16723	ERJ3GEYJ220	M 22 OHM, J, 1/16W	1	
	R16729	ERJ6GEYF473	M 47KOHM, J, 1/10W	1	
	R16730	ERJ6GEYF473	M 47KOHM, J, 1/10W	1	
	R16731	ERG1FJS823D	M 82KOHM, J, 1W	1	
	R16732	ERJ6GEYG392	M 3.9KOHM, J, 1/10W	1	
	R16733	ERJ6GEYJ474	M 470KOHM, J, 1/10W	1	
	R16734	ERJ6ENF4991	M 4.99KOHM, 1/10W	1	
	R16735	ERJ6ENF2213	M 221KOHM, 1/10W	1	
	R16736	ERJ6ENF2213	M 221KOHM, 1/10W	1	
	R16737	ERJ6ENF2213	M 221KOHM, 1/10W	1	
	R16738	ERG1FJS823D	M 82KOHM, J, 1W	1	
	R16740	ERJ6GEYJ104V	M 100KOHM, J, 1/10W	1	

Safety	Ref. No.	Part No.	Part Name & Description	Pcs	Remarks
	R16742	DOGD103JA036	M 10KOHM, J, 0.25W	1	
	R16744	ERJ6ENF2003	M 200KOHM, 1/10W	1	
	R16745	ERJ6ENF4701	M 4.7KOHM, 1/10W	1	
	R16746	ERJT06J103V	M 10KOHM, F, 0.25W	1	
	R16747	ERJT06J103V	M 10KOHM, F, 0.25W	1	
	R16749	DOGD103JA036	M 10KOHM, J, 0.25W	1	
	R16750	ERJT06J223V	M 22 KOHM, F, 0.25W	1	
	R16751	ERJT06J224V	M 220KOHM, F, 0.25W	1	
	R16752	ERJ6GEYJ472V	M 4.7K OHM J 1/10W	1	
	R16753	ERJ6GEYF473	M 47KOHM, J, 1/10W	1	
	R16756	ERJT06J223V	M 22 KOHM, F, 0.25W	1	
	R16758	ERJ6ENF2431	M2.43KOHM, 1/10W	1	
	R16761	ERJT06J100V	M 10 OHM, F, 0.25W	1	
	R16762	ERJ6GEYF473	M 47KOHM, J, 1/10W	1	
	R16765	ERJT08J7R5V	M 7.5OHM, J, 0.33W	1	
	R16766	ERJT06J750V	M 75 OHM, F, 0.25W	1	
	R16769	ERJT06J750V	M 75 OHM, F, 0.25W	1	
	R16774	ERG1SJ683	M 68KOHM, J, 1W	1	
	R16775	ERJ6GEYJ472V	M 4.7K OHM J 1/10W	1	
	R16776	DOGD101JA036	M 100 OHM, J, 0.25W	1	
	R16777	ERJT06J151V	M 150 OHM, F, 0.25W	1	
	R16781	ERJT06J470V	M 47 OHM, F, 0.25W	1	
	R16782	ERJ6GEYF473	M 47KOHM, J, 1/10W	1	
	R16785	ERJ6ENF8202	M 82KOHM, 1/10W	1	
	R16786	ERJ6ENF8202	M 82KOHM, 1/10W	1	
	R16787	ERJ6ENF3302	M 33KOHM, 1/10W	1	
	R16788	ERJT06J154V	M 150KOHM, F, 0.25W	1	
	R16789	DOGD103JA036	M 10KOHM, J, 0.25W	1	
	R16791	ERJ6GEYJ102V	M 1K OHM J 1/10W	1	
	R16794	ERJ6ENF2003	M 200KOHM, 1/10W	1	
	R16795	ERJ6ENF2003	M 200KOHM, 1/10W	1	
	R16796	ERJ6ENF5620	M 56KOHM, 1/10W	1	
	R16797	ERJ6GEYJ220	M 22 OHM, J, 1/10W	1	
	R16798	DOGD103JA036	M 10KOHM, J, 0.25W	1	
	R16799	ERJ6ENF3302	M 33KOHM, 1/10W	1	
	R16801	ERJ6ENF7321	M7.32KOHM, 1/10W	1	
	R16802	ERJ6ENF5621	M5.62KOHM, 1/10W	1	
	R16804	ERJ8GEYJ563	M 56KOHM, J, 1/8W	1	
	R16813	ERJ8GEYJ102V	M 1KOHM, J, 1/8W	1	
	R16814	ERJ6ENF3091	M3.09KOHM, 1/10W	1	
	R16815	ERJ6ENF1001	M 1KOHM, 1/10W	1	
	R16818	ERJT06J683	M 68KOHM, F, 0.25W	1	
	R16819	ERJT06J683	M 68KOHM, F, 0.25W	1	
	R16820	ERJ6ENF7872	M78.7KOHM, 1/10W	1	
	R16821	ERJ6ENF1003	M 100KOHM, 1/10W	1	
	R16822	ERJ6ENF8202	M 82KOHM, 1/10W	1	
	R16823	ERJ6ENF8202	M 82KOHM, 1/10W	1	
	R16824	ERJ6ENF3302	M 33KOHM, 1/10W	1	
	R16825	ERJT06J154V	M 150KOHM, F, 0.25W	1	
	R16826	DOGD103JA036	M 10KOHM, J, 0.25W	1	
	R16828	ERJ6GEYJ472V	M 4.7K OHM J 1/10W	1	
	R16838	ERJ14YJ563U	M 56KOHM, 1/2W	1	
	R16841	ERJ14YJ563U	M 56KOHM, 1/2W	1	
	R16844	ERJ6ENF1241	M1.24KOHM, 1/10W	1	
	R16845	ERJ6ENF5622	M5.62KOHM, 1/10W	1	
	R16846	ERJ6ENF5762	M57.6KOHM, 1/10W	1	
	R16851	ERJ6GEYJ104V	M 100KOHM, J, 1/10W	1	
	R16852	DOGD103JA036	M 10KOHM, J, 0.25W	1	
	R16855	ERG1FJS103D	M 10KOHM, J, 1W	1	
	R16856	ERQ12AJW560E	F 56 OHM, J, 1/2W	1	
	R16857	ERJ12YJ124U	M 120KOHM, 1/2W	1	
	R16860	D0D28R2JA021	M 8.2 OHM, J, 2W	1	
	R16867	ERJ6GEYF473	M 47KOHM, J, 1/10W	1	

Safety	Ref. No.	Part No.	Part Name & Description	Pcs	Remarks
	R16869	ERJ8GEYJ473	M 47KOHM, J, 1/8W	1	
	R16870	ERG2FJS333D	M 33KOHM, J, 2W	1	
	R16871	ERJ6GEYJ392	M 3.9KOHM, J, 1/10W	1	
	R16872	ERJ6GEYJ332V	M 3.3K OHM J 1/10W	1	
	R16873	ERJ6ENF2491	M2.49KOHM, 1/10W	1	
	R16874	ERJ6ENF7322	M73.2KOHM, 1/10W	1	
	R16875	ERJ6ENF7152	M71.5KOHM, 1/10W	1	
	R16880	DOGBR00Z0002	M 0 OHM J 1/16W	1	
	R16886	ERJ6GEYJ224	M 220KOHM, J, 1/10W	1	
	R16887	ERJ6GEYJ224	M 220KOHM, J, 1/10W	1	
	R16888	ERJ6GEYJ224	M 220KOHM, J, 1/10W	1	
	R17107	ERJT14J6R8U	C6.8 OHM, J, 1/4W	1	
	R17108	ERJT14J6R8U	C6.8 OHM, J, 1/4W	1	
	R17109	ERJT14J6R8U	C6.8 OHM, J, 1/4W	1	
	R17110	ERJT14J6R8U	C6.8 OHM, J, 1/4W	1	
	R17119	ERJT14J6R8U	C6.8 OHM, J, 1/4W	1	
	R17120	ERJT14J6R8U	C6.8 OHM, J, 1/4W	1	
	R17121	ERJT14J6R8U	C6.8 OHM, J, 1/4W	1	
	R17122	ERJT14J6R8U	C6.8 OHM, J, 1/4W	1	
	R17125	EXB38V471J	RESISTOR ARRAY	1	
	R17126	EXB38V471J	RESISTOR ARRAY	1	
	R17128	ERJT14J6R8U	C6.8 OHM, J, 1/4W	1	
	R17129	ERJT14J6R8U	C6.8 OHM, J, 1/4W	1	
	R17131	EXB38V471J	RESISTOR ARRAY	1	
	R17132	EXB38V471J	RESISTOR ARRAY	1	
	R17134	ERJT14J6R8U	C6.8 OHM, J, 1/4W	1	
	R17135	ERJT14J6R8U	C6.8 OHM, J, 1/4W	1	
	R17137	DOGF472JA047	M 4.7KOHM, J, 0.33W	1	
	R17138	ERJ6GEYJ223	M 22KOHM, J, 1/10W	1	
	R17139	ERJ6GEYJ104V	M 100KOHM, J, 1/10W	1	
	R17140	ERJ6GEYJ224	M 220KOHM, J, 1/10W	1	
	R17151	EXB38V470J	RESISTOR ARRAY	1	
	R17152	EXB38V470J	RESISTOR ARRAY	1	
	R17153	EXB38V681J	RESISTOR ARRAY	1	
	R17154	EXB38V220JV	RESISTOR ARRAY	1	
	R17155	ERJ3GEYJ681	M 680 OHM, J, 1/16W	1	
	R17156	ERJ3GEYJ681	M 680 OHM, J, 1/16W	1	
	R17157	EXB38V220JV	RESISTOR ARRAY	1	
	R17158	EXB38V220JV	RESISTOR ARRAY	1	
	R17159	ERJ3GEYJ681	M 680 OHM, J, 1/16W	1	
	R17160	ERJ3GEYJ681	M 680 OHM, J, 1/16W	1	
	R17167	EXB38V470J	RESISTOR ARRAY	1	
	R17168	EXB38V470J	RESISTOR ARRAY	1	
	R17169	EXB38V471J	RESISTOR ARRAY	1	
	R17170	EXB38V471J	RESISTOR ARRAY	1	
	R17173	EXB38V470J	RESISTOR ARRAY	1	
	R17174	EXB38V470J	RESISTOR ARRAY	1	
	R17175	EXB38V471J	RESISTOR ARRAY	1	
	R17176	EXB38V471J	RESISTOR ARRAY	1	
	R17179	EXB38V470J	RESISTOR ARRAY	1	
	R17180	EXB38V470J	RESISTOR ARRAY	1	
	R17181	EXB38V471J	RESISTOR ARRAY	1	
	R17182	EXB38V471J	RESISTOR ARRAY	1	
	R17201	EXB38V471J	RESISTOR ARRAY	1	
	R17202	EXB38V471J	RESISTOR ARRAY	1	
	R17203	EXB38V471J	RESISTOR ARRAY	1	
	R17204	EXB38V471J	RESISTOR ARRAY	1	
	R17209	ERJT14J6R8U	C6.8 OHM, J, 1/4W	1	
	R17210	ERJT14J6R8U	C6.8 OHM, J, 1/4W	1	
	R17211	ERJT14J6R8U	C6.8 OHM, J, 1/4W	1	
	R17212	ERJT14J6R8U	C6.8 OHM, J, 1/4W	1	
	R17213	EXB38V471J	RESISTOR ARRAY	1	
	R17214	EXB38V471J	RESISTOR ARRAY	1	

Safety	Ref. No.	Part No.	Part Name & Description	Pcs	Remarks
	R17215	EXB38V471J	RESISTOR ARRAY	1	
	R17216	EXB38V471J	RESISTOR ARRAY	1	
	R17221	ERJT14J6R8U	C6.8 OHM, J,1/4W	1	
	R17222	ERJT14J6R8U	C6.8 OHM, J,1/4W	1	
	R17223	ERJT14J6R8U	C6.8 OHM, J,1/4W	1	
	R17224	ERJT14J6R8U	C6.8 OHM, J,1/4W	1	
	R17225	EXB38V471J	RESISTOR ARRAY	1	
	R17226	EXB38V471J	RESISTOR ARRAY	1	
	R17229	ERJT14J6R8U	C6.8 OHM, J,1/4W	1	
	R17230	ERJT14J6R8U	C6.8 OHM, J,1/4W	1	
	R17251	EXB38V470J	RESISTOR ARRAY	1	
	R17252	EXB38V470J	RESISTOR ARRAY	1	
	R17253	EXB38V681J	RESISTOR ARRAY	1	
	R17254	EXB38V470J	RESISTOR ARRAY	1	
	R17255	ERJ3GEYJ681	M 680 OHM,J,1/16W	1	
	R17256	ERJ3GEYJ681	M 680 OHM,J,1/16W	1	
	R17257	EXB38V220JV	RESISTOR ARRAY	1	
	R17258	EXB38V681J	RESISTOR ARRAY	1	
	R17259	EXB38V220JV	RESISTOR ARRAY	1	
	R17260	ERJ6GEYJ224	M 220KOHM,J,1/10W	1	
	R17261	EXB38V470J	RESISTOR ARRAY	1	
	R17262	EXB38V470J	RESISTOR ARRAY	1	
	R17263	EXB38V681J	RESISTOR ARRAY	1	
	R17264	EXB38V681J	RESISTOR ARRAY	1	
	R17277	EXB38V471J	RESISTOR ARRAY	1	
	R17278	EXB38V471J	RESISTOR ARRAY	1	
	R17304	ERJT14J6R8U	C6.8 OHM, J,1/4W	1	
	R17305	ERJT14J6R8U	C6.8 OHM, J,1/4W	1	
	R17310	ERJT14J6R8U	C6.8 OHM, J,1/4W	1	
	R17311	ERJT14J6R8U	C6.8 OHM, J,1/4W	1	
	R17316	ERJT14J6R8U	C6.8 OHM, J,1/4W	1	
	R17317	ERJT14J6R8U	C6.8 OHM, J,1/4W	1	
	R17322	ERJT14J6R8U	C6.8 OHM, J,1/4W	1	
	R17323	ERJT14J6R8U	C6.8 OHM, J,1/4W	1	
	R17341	DOGF472JA047	M 4.7KOHM,J,0.33W	1	
	R17342	EXB38V470J	RESISTOR ARRAY	1	
	R17343	EXB38V470J	RESISTOR ARRAY	1	
	R17344	EXB38V471J	RESISTOR ARRAY	1	
	R17345	EXB38V471J	RESISTOR ARRAY	1	
	R17346	EXB38V470J	RESISTOR ARRAY	1	
	R17347	EXB38V470J	RESISTOR ARRAY	1	
	R17348	EXB38V471J	RESISTOR ARRAY	1	
	R17349	EXB38V471J	RESISTOR ARRAY	1	
	R17350	EXB38V470J	RESISTOR ARRAY	1	
	R17351	EXB38V470J	RESISTOR ARRAY	1	
	R17352	EXB38V471J	RESISTOR ARRAY	1	
	R17353	EXB38V471J	RESISTOR ARRAY	1	
	R17354	ERJ6GEYJ223	M 22KOHM,J,1/10W	1	
	R17355	ERJ6GEYJ104V	M 100KOHM,J,1/10W	1	
	R17356	ERJ6GEYJ224	M 220KOHM,J,1/10W	1	
	R17357	EXB38V220JV	RESISTOR ARRAY	1	
	R17358	EXB38V220JV	RESISTOR ARRAY	1	
	R17359	ERJ3GEYJ681	M 680 OHM,J,1/16W	1	
	R17360	ERJ3GEYJ681	M 680 OHM,J,1/16W	1	
	SC2	K1KA02A00676	2P CONNECTOR	1	
	SC20	K1MN35BA0266	35P CONNECTOR	1	
	SC41	K1KA23AA0733	23P CONNECTOR	1	
	SC42	K1KA23AA0733	23P CONNECTOR	1	
	SC46	K1KA09A00239	9P CONNECTOR	1	
	SCMM1	TMME047	CLAMPER	1	
	SD1	K1MND6BA0264	6P CONNECTOR	1	
	SD2	K1MND6BA0264	6P CONNECTOR	1	
	SD3	K1MND6BA0264	6P CONNECTOR	1	
	SD4	K1MND6BA0264	6P CONNECTOR	1	

Safety	Ref. No.	Part No.	Part Name & Description	Pcs	Remarks
	SD11	K1MN20BA0231	20P CONNECTOR	1	
	SD42	K1KB23AA0234	23P CONNECTOR	1	
	SD46	K1KY09AA0607	9P CONNECTOR	1	
	SS11	K1KA02A00676	2P CONNECTOR	1	
	SS12	K1KA10AA0194	10P CONNECTOR	1	
	SS33	K1KA10A00416	10P CONNECTOR	1	
	SS34	K1KA03AA0193	3P CONNECTOR	1	
	SS35	K1KA04AA0193	4P CONNECTOR	1	
	SS61	K1MN13BA0258	13P CONNECTOR	1	
	SS63	K1MN13BA0258	13P CONNECTOR	1	
	SS64	K1MN13BA0258	13P CONNECTOR	1	
	SS66	K1MN13BA0258	13P CONNECTOR	1	
	SSMM3	TMME190	CLAMPER	1	
	SSMM4	TMME190	CLAMPER	1	
	SU1	K1MND6BA0264	6P CONNECTOR	1	
	SU2	K1MND6BA0264	6P CONNECTOR	1	
	SU3	K1MND6BA0264	6P CONNECTOR	1	
	SU4	K1MND6BA0264	6P CONNECTOR	1	
	SU11	K1MN20BA0266	20P CONNECTOR	1	
	SU41	K1KB23AA0234	23P CONNECTOR	1	
	T16301	ETS19AB249AC	SWITCHING TRANS	1	
	VR16000	EVMEASA00B54	CONTROL 50KOHMB 0.3W	1	
	VR16600	EVMEASA00B54	CONTROL 50KOHMB 0.3W	1	
	VR16602	EVMEASA00B23	CONTROL 2KOHMB 0.3W	1	
	ZA14901	K4AD01Z00003	TERMINAL	1	
	ZA14902	K4AD01Z00003	TERMINAL	1	
	ZA14951	K4AD01Z00003	TERMINAL	1	
	ZA14952	K4AD01Z00003	TERMINAL	1	
	ZA16001	K4CD01000011	AV TERMINAL	1	
	ZA16002	K4CD01000011	AV TERMINAL	1	
	ZA16003	K4CD01000011	AV TERMINAL	1	
	ZA16401	K4CD01000011	AV TERMINAL	1	
	ZA16402	K4CD01000011	AV TERMINAL	1	
	ZA16403	K4CD01000011	AV TERMINAL	1	
	ZA17101	K4AD01Z00001	TERMINAL	1	
	ZA17102	K4AD01Z00001	TERMINAL	1	
	ZA17103	K4AD01Z00001	TERMINAL	1	
	ZA17104	K4AD01Z00001	TERMINAL	1	
	ZA17105	K4AD01Z00001	TERMINAL	1	
	ZA17201	K4AD01Z00001	TERMINAL	1	
	ZA17203	K4AD01Z00001	TERMINAL	1	
	ZA17204	K4AD01Z00001	TERMINAL	1	
	ZA17205	K4AD01Z00001	TERMINAL	1	
	ZA17301	K4AD01Z00001	TERMINAL	1	
	ZA17302	K4AD01Z00001	TERMINAL	1	
	ZA17303	K4AD01Z00001	TERMINAL	1	
	ZA17304	K4AD01Z00001	TERMINAL	1	
	△ A601	AYRA652MSV8T	ARRESTOR	1	
	C407	ACRR3DD101K7	ELECTROLYTIC CAPACITOR	1	
	△ C501	ECQU2A103MLA	P 0.01UF, M,250V	1	
	△ C503	ACKMQ2W560T	ELECTROLYTIC CAPACITOR	1	
	C505	ECQV1H224JL	P 0.22UF, J, 50V	1	
	C506	ACKZE1H100T	ELECTROLYTIC CAPACITOR	1	
	C507	ACKZE1H221T	ELECTROLYTIC CAPACITOR	1	
	C508	ACKZE1H220T	ELECTROLYTIC CAPACITOR	1	
	C551	ACKZE1A102LC	ELECTROLYTIC CAPACITOR	1	
	C557	ECQV1473JM2	PLASTIC FILM CAPACITOR	1	

Safety	Ref. No.	Part No.	Part Name & Description	Pcs	Remarks
	C558	ECQV1H224JL	P 0.22UF, J, 50V	1	
	C559	ECQV1H474JL	P 0.47UF, J, 50V	1	
△	C601	ECQU2A105MLA	PLASTIC FILM CAPACITOR	1	
△	D501	VDS1WBA80	DIODE	1	
	D504	VXST3D82BL3	POWER CLAMPER	1	
	D505	VDAG01AT	DIODE	1	
	D506	VDAG01AT	DIODE	1	
	D551	VDRK39A5	DIODE	1	
	D556	VDRF101A2S	DIODE	1	
△	F501	HU382T2C	MICRO FUSE	1	
△	F601	HU215010BEP	CARTRIDGE FUSE (LEADTYPE)	1	
△	F602	HU215010BEP	CARTRIDGE FUSE (LEADTYPE)	1	
△	IC501	MIP3E30MPSCF	IC	1	
	IC555	AN1431TBTA	INTEGRATED CIRCUIT	1	
	L501	EXCELSA35	BEAD CHOKE	1	
	L502	EXCELDLDR35C	BEAD CHOKE	1	
	L503	EXCELDLDR35C	BEAD CHOKE	1	
	L551	EXCELDLDR35C	BEAD CHOKE	1	
△	L601	AYP3165208ZA	FILTER CHOKE	1	
△	L602	AYP3165208ZA	FILTER CHOKE	1	
△	L604	AYP3165208ZA	FILTER CHOKE	1	
△	MC401	MDPPSA103	MODULE	1	
△	MC501	MDPTZA101	MODULE	1	
△	P9	AKS02B-VT	CONNECTOR	1	
△	P51	AKB6P-VH	CONNECTOR	1	
△	P53	AKB2P-VH	CONNECTOR	1	
	P55	AKB4B-EH-A	CONNECTOR	1	
△	PC502	VPS2581AL1VH	OPTOISOLATOR	1	
	R501	ARR5B100JC2	WIREWOUND RESISTOR	1	
△	R502	ARRCR6J825M	METAL GLAZE FIXED RESISTOR	1	
	R505	ERDS2FJ561	C 560 OHM, J, 1/4W	1	
	R506	ARRCR2F1304T	METAL GLAZE FIXED RESISTOR	1	
	R507	ARRCR2F1184T	METAL GLAZE FIXED RESISTOR	1	
	R509	ARRCR2F1304T	METAL GLAZE FIXED RESISTOR	1	
	R510	ARRCR2F1184T	METAL GLAZE FIXED RESISTOR	1	
	R522	ERDS2FJ180	CARBON FILM RESISTOR	1	
	R555	ER0S2CKF1052	M10.5KOHM, F, 1/4W	1	
	R558	ER0S2CKF1503	M 150KOHM, F, 1/4W	1	
	R560	ERDS2FJ222	C 2.2KOHM, J, 1/4W	1	
	R562	ERDS2FJ150	CARBON FILM RESISTOR	1	
	R563	ERDS2FJ121	CARBON FILM RESISTOR	1	
	R564	ER0S2THD1002	METAL FILM RESISTOR	1	
△	R601	ARRCR5J624M	METAL GLAZE FIXED RESISTOR	1	
△	T501	ETB25AH118BH	TRANSFORMER	1	
△	Z501	ERZVGAD471	VARISTOR	1	
△	Z601	ERZVGED751	VARISTOR	1	

Safety	Ref. No.	Part No.	Part Name & Description	Pcs	Remarks
△	Z602	ERZVGED751	VARISTOR	1	
△	Z603	ERZVGAD471	VARISTOR	1	
	ZD501	MA4300NMTA	ZENER DIODE	1	
	ZD502	MA4300NMTA	ZENER DIODE	1	
	ZD503	MA4082NM	ZENER DIODE	1	
	ZD555	MA4330NMTA	ZENER DIODE	1	
	C201	ACKZE1H220T	ELECTROLYTIC CAPACITOR	1	
	C202	ACCC3FD470JP	CERAMIC CAPACITOR	1	
	C203	ACCC3FD470JP	CERAMIC CAPACITOR	1	
	C204	ACMPEF12333H	PLASTIC FILM CAPACITOR	1	
	C205	ACMPEF12333H	PLASTIC FILM CAPACITOR	1	
△	C206	ECKENA101KBR	C 100P 250V	1	
	C207	ACDE1R681KP	CERAMIC CAPACITOR	1	
	C208	ACDE1R681KP	CERAMIC CAPACITOR	1	
	C251	ECQV1H104JL	P 0.1UF, J, 50V	1	
	C252	ECQV1H224JL	P 0.22UF, J, 50V	1	
	C254	ECQE2223SKF	PLASTIC FILM CAPACITOR	1	
	C255	ECQE2223SKF	PLASTIC FILM CAPACITOR	1	
△	C256	ACKMQ220901Z	ELECTROLYTIC CAPACITOR	1	
△	C257	ACKMQ220901Z	ELECTROLYTIC CAPACITOR	1	
△	C258	ACKMQ220901Z	ELECTROLYTIC CAPACITOR	1	
	C301	ACKZE1H220T	ELECTROLYTIC CAPACITOR	1	
	C302	ACRR3DD101K7	CERAMIC CAPACITOR	1	
	C303	ACRR3DD101K7	CERAMIC CAPACITOR	1	
	C304	ACMPEF12473H	PLASTIC FILM CAPACITOR	1	
	C305	ACCK1B331KP	CERAMIC CAPACITOR	1	
	C306	ACCK1B331KP	CERAMIC CAPACITOR	1	
	C352	ACKZE1E182ST	ELECTROLYTIC CAPACITOR	1	
	C354	ECQV1H224JL	P 0.22UF, J, 50V	1	
	C355	ECQV1H823JL	PLASTIC FILM CAPACITOR	1	
	C357	ACKZE1E471LT	ELECTROLYTIC CAPACITOR	1	
	C358	ACKZE1E471LT	ELECTROLYTIC CAPACITOR	1	
	C401	ECQE2104SKF	PLASTIC FILM CAPACITOR	1	
	C402	ECQE2104SKF	PLASTIC FILM CAPACITOR	1	
△	C403	EETHC2C471HX	ELECTROLYTIC CAPACITOR	1	
	C404	ACKZE1H101T	ELECTROLYTIC CAPACITOR	1	
△	C406	EETHC2A122JJ	ELECTROLYTIC CAPACITOR	1	
	C409	ECQE2104SKF	PLASTIC FILM CAPACITOR	1	
	C451	ACKZE1A471C	ELECTROLYTIC CAPACITOR	1	
	C504	ACKZE1H220T	ELECTROLYTIC CAPACITOR	1	
	C555	ACKZE1E470T	ELECTROLYTIC CAPACITOR	1	
△	C602	ECQU2A105MLA	PLASTIC FILM CAPACITOR	1	
△	C603	ECKENA471KBR	CERAMIC CAPACITOR	1	

Safety	Ref. No.	Part No.	Part Name & Description	Pcs	Remarks
△	C604	ECKENA471KBR	CERAMIC CAPACITOR	1	
	C605	ACDE1R102K7	CERAMIC CAPACITOR	1	
	C606	AC4MPK105KA3	PLASTIC FILM CAPACITOR	1	
	C610	ECQV1H105JL	PLASTIC FILM CAPACITOR	1	
	C611	ACKZE1H220T	ELECTROLYTIC CAPACITOR	1	
△	C612	EETHD2W301LZ	ELECTROLYTIC CAPACITOR	1	
△	C613	EETHD2W301LZ	ELECTROLYTIC CAPACITOR	1	
△	C615	ECKENA221KBR	C 221P 250V	1	
	C625	ACRR3AD222KP	CERAMIC CAPACITOR	1	
	C701	ACKZE1A471C	ELECTROLYTIC CAPACITOR	1	
	C702	ECQV1H103JL2	P 0.01UF, J, 50V	1	
	D251	MA165TAKU	DIODE	1	
	D254	MA2DF3100S	DIODE	1	
	D255	MA2DF3100S	DIODE	1	
	D256	MA2DF3100S	DIODE	1	
	D257	MA2DF3100S	DIODE	1	
	D351	VDG865C08R	DIODE	1	
	D352	VDAG01AT	DIODE	1	
	D353	VDG865C08R	DIODE	1	
	D401	VDD6SBN20	DIODE	1	
	D402	VDAG01AT	DIODE	1	
	D403	VDYG901C3R	DIODE	1	
	D601	MA165TAKU	DIODE	1	
	D602	MA165TAKU	DIODE	1	
	D603	VDAP01CT	DIODE	1	
	D604	VDAP01CT	DIODE	1	
	D606	VDS3V60L1	DIODE	1	
	D702	VDERA83-004T	DIODE	1	
△	F201	HU216005BEP	CARTRIDGE FUSE (LEADTYPE)	1	
△	F301	HU216005BEP	CARTRIDGE FUSE (LEADTYPE)	1	
	IC251	AN1431TBTA	INTEGRATED CIRCUIT	1	
	IC352	AN1431TBTA	INTEGRATED CIRCUIT	1	
△	K601	ALKT329C93	RELAY	1	
△	K602	ALDJ5D2T8	RELAY	1	
	L401	AYLH8TB681K	CHOKE	1	
	L402	AYH221012HY	CHOKE	1	
	L603	ETB50CZ14GAD	CHOKE	1	
△	MC201	MDPPNB331	MODULE	1	
△	MC203	MP00R3A1	MODULE	1	
△	MC301	MDPPNB102	MODULE	1	
△	MC352	MDPJFB101	MODULE	1	
△	MC451	MDPLSB101	MODULE	1	
△	MC502	MDPHHA101	MODULE	1	
△	MC552	MDPPFC101	MODULE	1	
△	MC601	MDPLPA101	MODULE	1	
△	MC602	MP00P18	MODULE	1	
△	MC603	MP00P28	MODULE	1	
△	MC606	MP00P29	MODULE	1	
△	MC701	MDPZDA101	MODULE	1	
	P2	AKB2P3-VH-B	CONNECTOR	1	
	P6	AKB12B-EH-A	CONNECTOR	1	
	P7	AKB11B-EH-A	CONNECTOR	1	
	P11	AKB2P3-VH-B	CONNECTOR	1	
	P12	AKB10B-PH-KS	CONNECTOR	1	

Safety	Ref. No.	Part No.	Part Name & Description	Pcs	Remarks
	P25	AKB13B-PH-KS	CONNECTOR	1	
△	P52	AKB6P-VH	CONNECTOR	1	
△	P54	AKB2P-VH	CONNECTOR	1	
	P56	AKB4B-EH-A	CONNECTOR	1	
△	PC201	VPS2581AL1VH	OPTOISOLATOR	1	
△	PC202	VPS2581AL1VH	OPTOISOLATOR	1	
△	PC301	VPS2581AL1VH	OPTOISOLATOR	1	
△	PC302	VPS2581AL1VH	OPTOISOLATOR	1	
△	PC401	VPS2581AL1VH	OPTOISOLATOR	1	
△	PC501	VPS2581AL1VH	OPTOISOLATOR	1	
△	Q301	VKFMA16N55G	FIELD EFFECT TRANSISTOR	1	
△	Q302	VKFMA16N55G	FIELD EFFECT TRANSISTOR	1	
	Q351	2SK3704	FIELD EFFECT TRANSISTOR	1	
	Q401	2SK3607	FIELD EFFECT TRANSISTOR	1	
	Q402	2SA17670Q2TV	TRANSISTOR	1	
	Q403	2SA17670Q2TV	TRANSISTOR	1	
	R202	ERQ14AJ4R7J	F 4.7 OHM, J,1/4W	1	
	R203	ERDS2FJ334	CARBON FILM RESISTOR	1	
	R204	ERDS2FJ334	CARBON FILM RESISTOR	1	
	R208	ERG12SJ910J	METAL OXIDE FILM RESISTOR	1	
	R215	ERG12SJ680J	METAL OXIDE FILM RESISTOR	1	
	R216	ERG12SJ220J	METAL OXIDE FILM RESISTOR	1	
	R217	ERG12SJ910J	METAL OXIDE FILM RESISTOR	1	
	R251	ARRCR2F1213T	METAL GLAZE FIXED RESISTOR	1	
	R252	ARRCR2F1213T	METAL GLAZE FIXED RESISTOR	1	
	R253	ERDS2FJ151	CARBON FILM RESISTOR	1	
	R254	ERDS2FJ102	M 1KOHM, J,1/10W	1	
	R256	ER0S2THD1002	METAL FILM RESISTOR	1	
	R257	ERDS2FJ472	CARBON FILM RESISTOR	1	
	R258	ERDS2FJ472	CARBON FILM RESISTOR	1	
	R259	ERDS2FJ472	CARBON FILM RESISTOR	1	
	R263	ERDS2FJ220	C 22 OHM, J,1/4W	1	
	R264	ERDS2FJ102	M 1KOHM, J,1/10W	1	
	R265	ARRCR1F2703T	METAL GLAZE FIXED RESISTOR	1	
	R266	ARRCR1F3323T	METAL GLAZE FIXED RESISTOR	1	
	R267	ARRCR1F3323T	METAL GLAZE FIXED RESISTOR	1	
	R302	ERQ14AJ4R7J	F 4.7 OHM, J,1/4W	1	
	R303	ERDS2FJ334	CARBON FILM RESISTOR	1	
	R304	ERDS2FJ334	CARBON FILM RESISTOR	1	
	R308	ERG12SJ910J	METAL OXIDE FILM RESISTOR	1	
	R309	ERG12SJ680J	METAL OXIDE FILM RESISTOR	1	
	R310	ERG12SJ220J	METAL OXIDE FILM RESISTOR	1	
	R311	ERG12SJ910J	METAL OXIDE FILM RESISTOR	1	
	R351	ER0S2CHF8871	M8.87KOHM, F,1/4W	1	
	R352	ARRF5EJ30MB	METAL PLATE RESISTOR	1	

Safety	Ref. No.	Part No.	Part Name & Description	Pcs	Remarks
	R353	ERDS2FJ561	C 560 OHM, J,1/4W	1	
	R354	ERDS2FJ221	C 220 OHM, J,1/4W	1	
	R355	ERDS2FJ222	C 2.2KOHM, J,1/4W	1	
	R356	EROS2THD1002	METAL FILM RESISTOR	1	
	R359	EROS2THD5232	METAL FILM RESISTOR	1	
	R362	ERG12SJ332J	METAL OXIDE FILM RESISTOR	1	
	R366	EROS2THF6981	METAL FILM RESISTOR	1	
	R367	EROS2CHF8451	METAL FILM RESISTOR	1	
	R371	EROS2THF6981	METAL FILM RESISTOR	1	
	R372	EROS2THF1151	METAL FILM RESISTOR	1	
	R403	ERG12SJ100J	METAL OXIDE FILM RESISTOR	1	
	R404	EROS2CKF6492	M64.9KOHM, F,1/4W	1	
	R405	ARRF2EJR10B	METAL PLATE RESISTOR	1	
	R409	ERDS2FJ473	C 47KOHM, J,1/4W	1	
	R411	EROS2CKF2001	METAL FILM RESISTOR	1	
	R412	EROS2CKF2001	METAL FILM RESISTOR	1	
	R413	EROS2THF3162	METAL FILM RESISTOR	1	
	R414	EROS2THF3162	METAL FILM RESISTOR	1	
	R417	EROS2THF4422	METAL FILM RESISTOR	1	
	R418	EROS2THF4422	METAL FILM RESISTOR	1	
	R420	EROS2THF5620	METAL FILM RESISTOR	1	
	R421	EROS2THF1652	METAL FILM RESISTOR	1	
	R456	EROS2CKF1332	M13.3KOHM, F,1/4W	1	
	R557	ERDS2TJ392	C 3.9KOHM, J,1/4W	1	
	R559	EROS2CKF1623	M 162KOHM, F,1/4W	1	
	R561	EROS2CHF2152	METAL FILM RESISTOR	1	
	R603	ARRCR2F4753T	METAL GLAZE FIXED RESISTOR	1	
	R604	ARRCR2F4023T	METAL GLAZE FIXED RESISTOR	1	
	R607	ARRCR2F7503T	METAL GLAZE FIXED RESISTOR	1	
	R608	ARRCR2F7503T	METAL GLAZE FIXED RESISTOR	1	
	R611	EROS2THF5112	METAL FILM RESISTOR	1	
	R617	ARRF5EJR15B	METAL PLATE RESISTOR	1	
	R618	ARRF5EJR15B	METAL PLATE RESISTOR	1	
	R619	ARRF5EJR10B	METAL PLATE RESISTOR	1	
	R622	ERDS2FJ472	CARBON FILM RESISTOR	1	
	R623	ERG12SJ270J	METAL OXIDE FILM RESISTOR	1	
	R624	ERDS2FJ472	CARBON FILM RESISTOR	1	
	R625	ERG12SJ270J	METAL OXIDE FILM RESISTOR	1	
	R626	ERDS2FJ472	CARBON FILM RESISTOR	1	
	R627	ERG12SJ270J	METAL OXIDE FILM RESISTOR	1	
	R630	ARRCR1F2493T	METAL GLAZE FIXED RESISTOR	1	

Safety	Ref. No.	Part No.	Part Name & Description	Pcs	Remarks
	R631	ARRCR1F2493T	METAL GLAZE FIXED RESISTOR	1	
	R632	ARRCR1F2213T	METAL GLAZE FIXED RESISTOR	1	
	R701	ERDS2FJ221	C 220 OHM, J,1/4W	1	
	R702	ERDS2FJ222	C 2.2KOHM, J,1/4W	1	
	R703	ERDS2FJ221	C 220 OHM, J,1/4W	1	
	R704	ERDS2FJ222	C 2.2KOHM, J,1/4W	1	
	R706	ERDS2FJ221	C 220 OHM, J,1/4W	1	
	R707	ERDS2FJ222	C 2.2KOHM, J,1/4W	1	
	R712	ERDS2FJ221	C 220 OHM, J,1/4W	1	
	R713	ERDS2FJ222	C 2.2KOHM, J,1/4W	1	
△	RF601	HUY5JA200JP	THERMAL CUTOFF WITH RESISTOR	1	
△	T201	ETB57LZ1KGAD	TRANSFORMER	1	
△	T301	ETB50LZ18GAD	TRANSFORMER	1	
	VR251	EVMEASA01B55	VARIABLE RESISTOR	1	
	VR401	EVMEASA01B54	VARIABLE RESISTOR	1	
	ZD201	MA4270NMTA	ZENER DIODE	1	
	ZD203	MA4270NMTA	ZENER DIODE	1	
	ZD204	MA4270NMTA	ZENER DIODE	1	
	ZD251	MA4330NMTA	ZENER DIODE	1	
	ZD301	MA4270NMTA	ZENER DIODE	1	
	ZD302	MA4270NMTA	ZENER DIODE	1	
	ZD305	MA4270NMTA	ZENER DIODE	1	
	ZD351	MA4330NMTA	ZENER DIODE	1	
	ZD451	MAZ4068NMF	ZENER DIODE	1	
	ZD601	MA4047NM	ZENER DIODE	1	