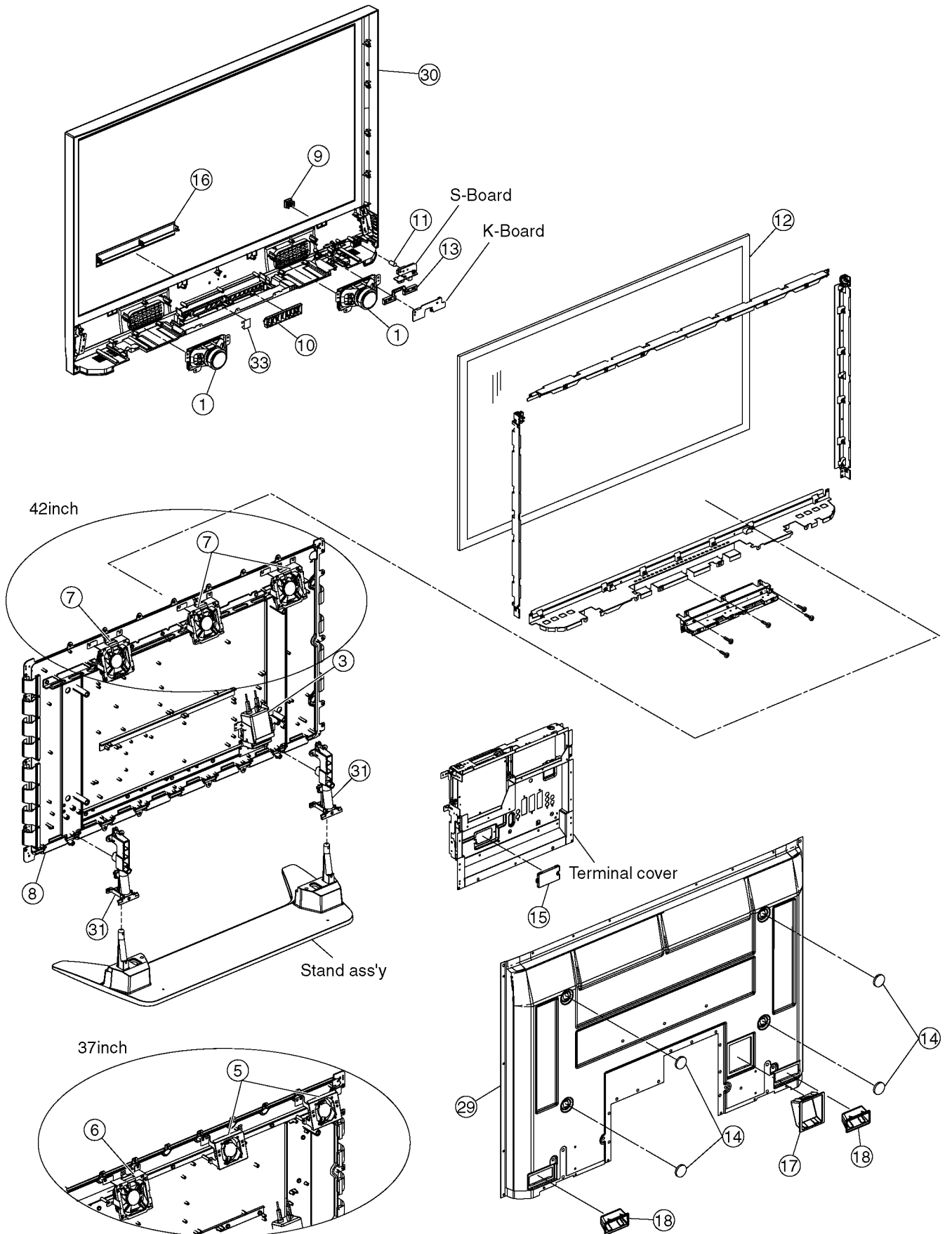
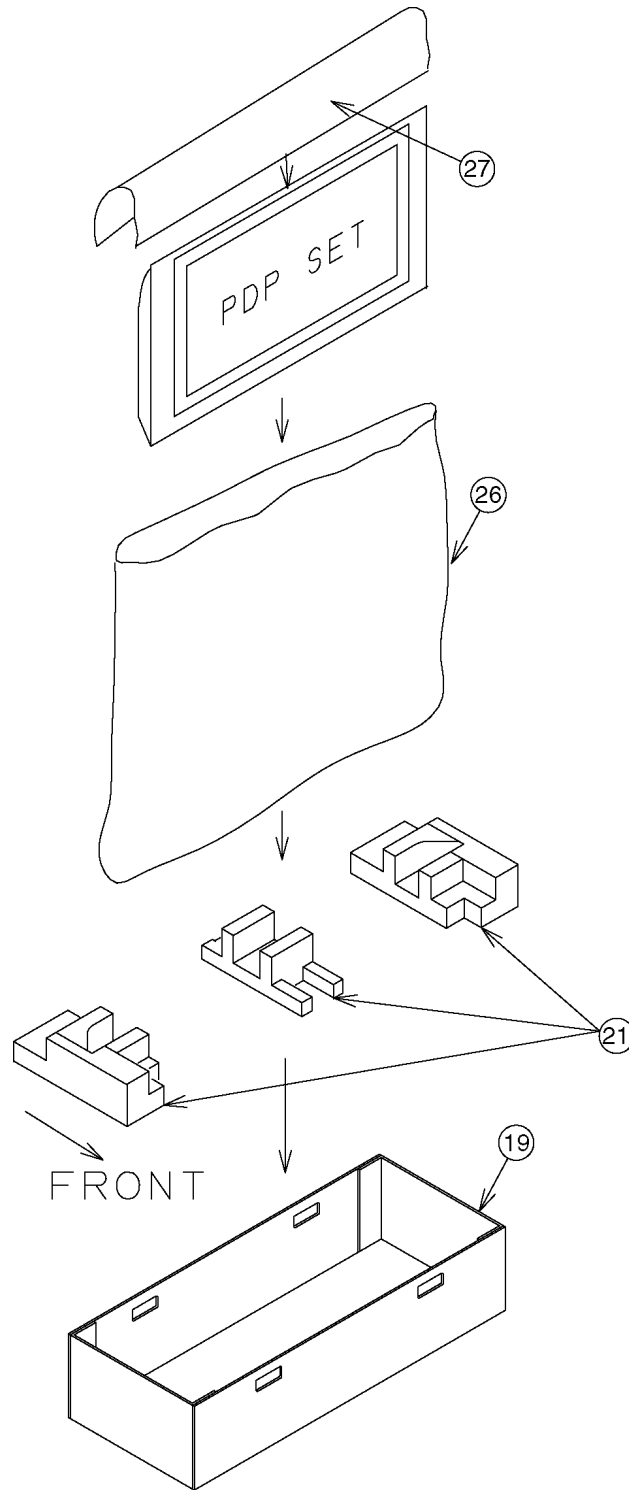


5 Parts Location & Mechanical Replacement Parts List

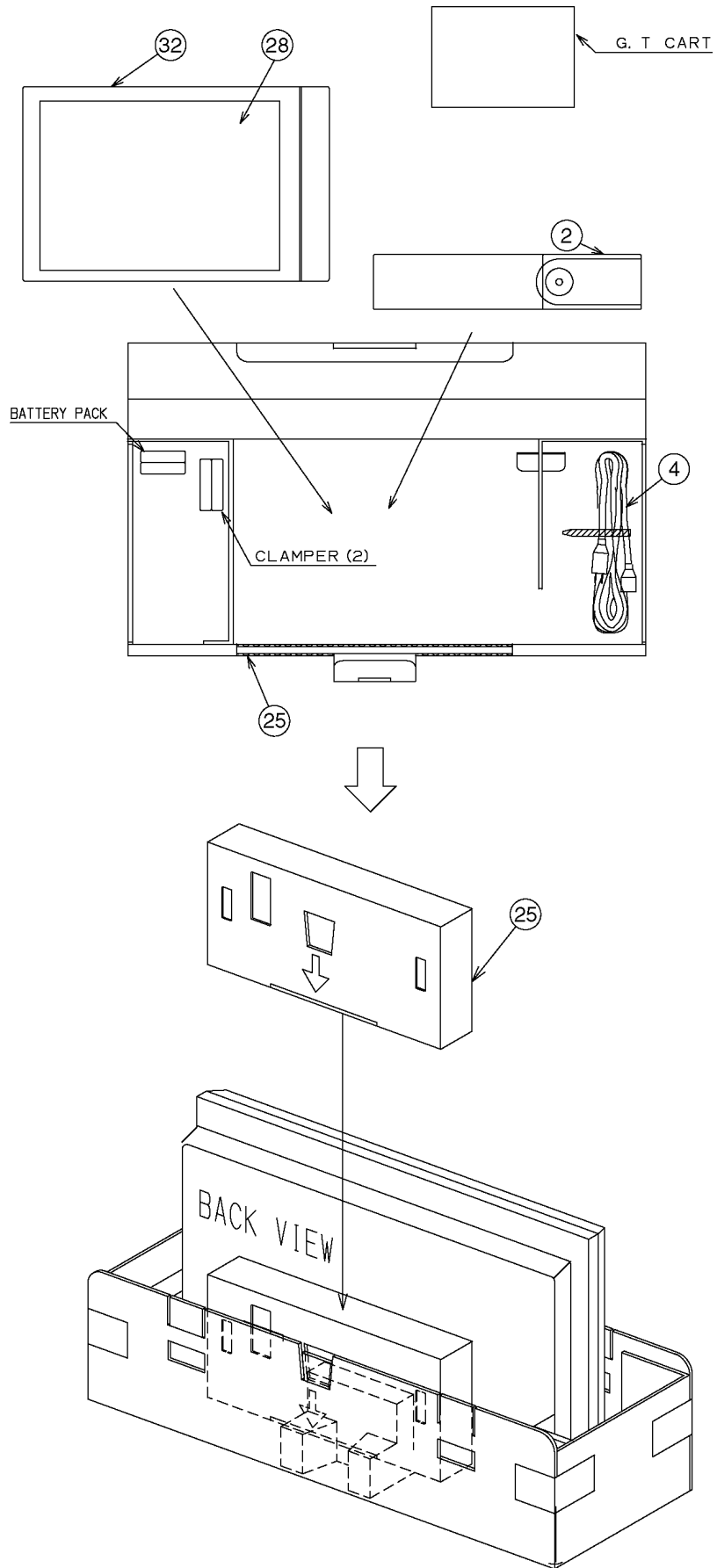
5.1. Parts Location



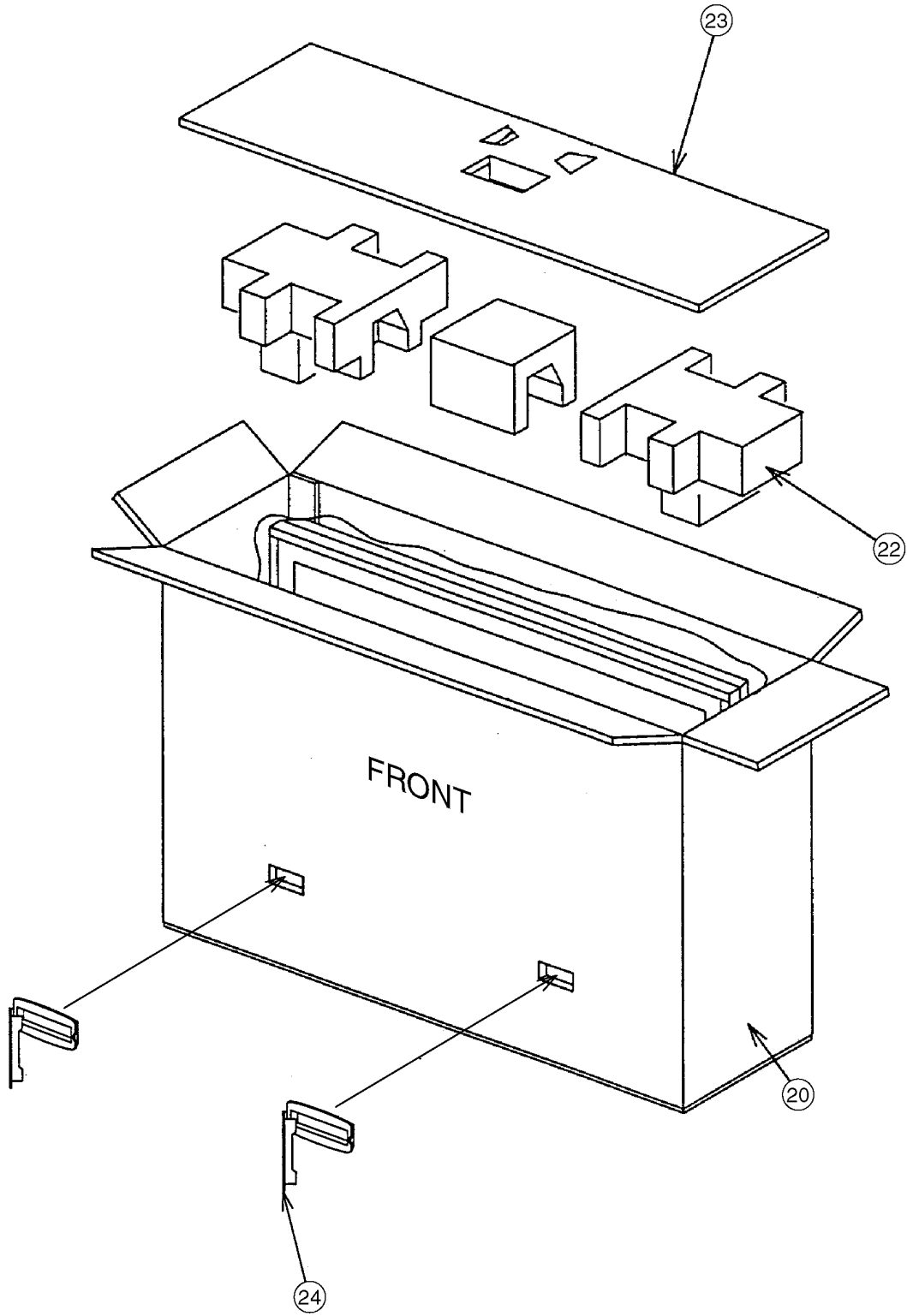
5.2. Packing Exploded Views (1)



5.3. Packing Exploded Views (2)



5.4. Packing Exploded Views (3)



5.5. Mechanical Replacement Parts List

Note:

All parts except parts mentioned [PAVCCZ] in the Remarks column are supplied by PAVC-CSG.

Parts mentioned [PAVCCZ] are supplied by PAVCCZ.

Ref. No.	Part No.	Part Name & Description	Pcs	Remarks
1	EAS12S10A	SPEAKER	2	
2	EUR7651100	REMOTE CONTROL	1	PAVCCZ
	J2Z200000054	RF-CABLE	1	PAVCCZ
3	K2AHYH000005	AC INLET	1	△
4	K2CN3DH00006	AC CORD	1	△
6	L6FALEFH0041	FAN (80MM)	1	TH-37PX60E
5	L6FAKEDH0013	FAN UNIT (60MM)	2	TH-37PX60E PAVCCZ PAVC-CSG
7	L6FALEFH0041	FAN (80MM)	3	TH-42PX60E
8	MD37H09A1J	PLASMA DISPLAY PANEL	1	TH-37PX60E △
8	MD42H09A1J	PLASMA DISPLAY PANEL	1	TH-42PX60E △
	TBMA185	PANASONIC BADGE	1	
9	TBX0E81801	POWER BUTTON	1	PAVCCZ
10	TBX0E81900	CONTROL BUTTON	1	PAVCCZ
11	TES4G204	POWER BUTTON SPRING	1	
33	TESA274	LEAF SPRING	1	
	THEL035N	SCREW	70	TH-37PX60E
	THEL035N	SCREW	69	TH-42PX60E
	THEL0429	SCREW	28	
	THTD010N	SCREW	9	
	THTD011J	SCREW	2	
12	TKGA5263	FRONT GLASS	1	TH-37PX60E PAVCCZ
12	TKGA5264	FRONT GLASS	1	TH-42PX60E PAVCCZ
13	TKKC5240	PANEL LIGHT	1	PAVCCZ
14	TKKL5231	COVER	4	
15	TKKL5269	COVER	1	
16	TKP0E16302	DOOR	1	PAVCCZ
17	TKPA94301	INLET COVER	1	
18	TKR0E0101	REAR COVER HANDLE	2	PAVCCZ
	TKR0E0102	REAR COVER HOOK LEFT	1	PAVCCZ
	TKR0E0103	REAR COVER HOOK RIGHT	1	PAVCCZ
	TKZ0E9906	STAND BRACKET	2	PAVCCZ
	TMK0E722	SPONGE(FRONT GLASS V)	2	TH-42PX60E PAVCCZ
	TMK0E724	SPONGE(FRONT GLASS V)	2	TH-37PX60E PAVCCZ
	TMK0E729	SPONGE(FRONT GLASS H)	2	TH-42PX60E PAVCCZ
	TMK0E730	SPONGE(FRONT GLASS H)	2	TH-37PX60E PAVCCZ
	TMK0E718	SPEAKER SPONGE	2	TH-42PX60E PAVCCZ
	TMK0E736	SPEAKER SPONGE	2	TH-37PX60E PAVCCZ
	TMKG665	SPONGE (FAN)	2	TH-37PX60E PAVCCZ
	TMKG666	SPONGE	1	TH-37PX60E PAVCCZ
	TMKG666	SPONGE	3	TH-42PX60E PAVCCZ
	TMM14490	CABLE CLAMPER	2	
	TMM17499	CLAMPER	1	
	TMM25401	CLAMPER	6	TH-37PX60E
	TMM25401	CLAMPER	8	TH-42PX60E
	TMM7464-2	CLAMPER	2	
	TMM7468-1	CLAMPER	1	
	TMME047	CLAMPER	4	
	TMME061	CLAMPER	6	
	TMME190	CLAMPER	2	
	TMME226	CLAMPER	1	

Ref. No.	Part No.	Part Name & Description	Pcs	Remarks
	TMME258	CLAMPER	2	
	TMME260	CLAMPER	4	
	TMMJ068	RUBBER (FAN)	9	
19	TPC0E67201	CARTON BOX BOTTOM	1	TH-37PX60E PAVCCZ
19	TPC0E67001	CARTON BOX BOTTOM	1	TH-42PX60E PAVCCZ
20	TPC0E67101	CARTON BOX TOP	1	TH-37PX60E PAVCCZ △
20	TPC0E66901	CARTON BOX TOP	1	TH-42PX60E PAVCCZ △
21	TPD0E0109	CUSHION BOTTOM	1	PAVCCZ
22	TPD0E0110	CUSHION TOP	1	PAVCCZ
23	TPD0E9030	TOP PAD	1	PAVCCZ
24	TPD169487	JOINT	4	
25	TPDF1197	ACCESSORIES BOX	1	
26	TPE0E4010	PROTECT COVER	1	PAVCCZ
27	TPE0E4013	TOP PROTECT SHEET	1	PAVCCZ
28	TQB0E0255A	INSTRUCTION BOOK(GERMAN)	1	PAVCCZ △
28	TQB0E0255D	INSTRUCTION BOOK(FRENCH)	1	PAVCCZ △
28	TQB0E0255U	INSTRUCTION BOOK(ENGLISH)	1	PAVCCZ △
	TSXL513	CABLE (D31-C11/D32-C21)	2	
	TSXL519	CABLE (C12-C22)	1	
	TSXL520	CABLE (DG1-H1)	1	
	TSXL521	CABLE (DG15-HC15)	1	
	TSXL522	CABLE(DG20-PA20)	1	
	TSXL523	CABLE(DG3-D3)	1	
29	TXFKU01DDTE	REAR COVER	1	TH-37PX60E PAVCCZ △
29	TXFKU01DCTE	REAR COVER	1	TH-42PX60E PAVCCZ △
30	TTY0E0116	ESCUTCHEON ASS'Y	1	TH-37PX60E PAVCCZ △
30	TTY0E0118	ESCUTCHEON ASS'Y	1	TH-42PX60E PAVCCZ △
31	TXFKZ04BJTB	STAND BLOCK ASS'Y	2	PAVCCZ
	TXJ/SPBJTU	SPEAKER LEAD (RELAY-SF)	2	
	XTB4+12GFJ	SCREW	47	
	XTB4+12GFJK	SCREW	8	
	XTB4+16GFJ	SCREW	2	
	XTV3+10JFJK	SCREW	6	
	XTW3+10TFJ	SCREW	3	
	XTW4+25DFJ	SCREW	12	PAVCCZ
	XYN3+F10FJ	SCREW	2	
	XYN3+F6FJ	SCREW	1	
	XYN3+F8FJ	SCREW	40	TH-37PX60E
	XYN3+F8FJ	SCREW	37	TH-42PX60E
	XYN3+J10FJ	SCREW	1	
	XYN3+J12FJ	SCREW	39	TH-37PX60E
	XYN3+J12FJ	SCREW	31	TH-42PX60E
	XYN3+J8FJ	SCREW ROHS	7	TH-37PX60E
	XYN3+J8FJ	SCREW ROHS	11	TH-42PX60E
	XYN4+E8FJ	SCREW	1	
	XYN4+F10FJ	SCREW	6	
	XYN4+F10FJK	SCREW	6	
	XYN4+F30FJK	SCREW (BC TOP6 SIDE6: AL)	6	
	XYN5+C15FJ	SCREW	8	
32	XZBT6530	POLY BAG	1	

6 Electrical Replacement Parts List

6.1. Replacement Parts List Notes

Important Safety Notice

*Components identified by Δ mark have special characteristics important for safety.
When replacing any of these components, use only manufacturer's specified parts.*

RTL (Retention Time Limited)

Note: The marking (RTL) indicates that the Retention Time is Limited for this item.

After the discontinuation of this assembly in production, the item will continue to be available for a specific period of time. The retention period of availability is dependant on the type of assembly, and in accordance with the laws governing part and product retention. After the end of this period, the assembly will no longer be available.

Abbreviation of part name and description

1. Resistor

Example:

ERD25TJ104 C 100KOHM, J, 1/4W
 Type Allowance

2. Capacitor

Example:

ECKF1H103ZF C 0.01UF, Z, 50V
 Type Allowance

Type	Allowance
C : Carbon	F : $\pm 1\%$
F : Fuse	G : $\pm 2\%$
M : Metal Oxide Metal Film	J : $\pm 5\%$
S : Solid	K : $\pm 10\%$
W : Wire Wound	M : $\pm 20\%$

Type	Allowance
C : Ceramic	C : $\pm 0.25\text{pF}$
E : Electrolytic	D : $\pm 0.5\text{pF}$
P : Polyester	F : $\pm 1\text{pF}$
Polyprop	G : $\pm 3\text{pF}$
lene	J : $\pm 5\text{pF}$
T : Tantalum	K : $\pm 10\text{pF}$
	L : $\pm 15\text{pF}$
	M : $\pm 20\text{pF}$
	P : +100%, -0%
	Z : +80%, -20%

6.2. Electrical Replacement Parts List (37inch)

Note:

All parts except parts mentioned [PAVCCZ] in the Remarks column are supplied by PAVC-CSG.

Parts mentioned [PAVCCZ] are supplied by PAVCCZ.

Ref. No.	Part No.	Part Name & Description	Pcs	Remarks
F401.40 2	K5D802BNA005	TIME LAG FUSE HIGH	2	△
C001	ECA0JM102	E 1000UF, 6.3V	1	
C002,03	ECA1HM100	E 10UF, 50V	2	
C007	ECJ1XF1C104Z	C 0.1UF, Z, 16V	1	
C009	ECJ1VF1H104Z	C 0.1UF, Z, 50V	1	
C11	K1MN55BA0076	55P CONNECTOR	1	
C12	K1MN20BA0231	20P CONNECTOR	1	
C013	ECJ1XF1C104Z	C 0.1UF, Z, 16V	1	
C016	ECJ1XF1C104Z	C 0.1UF, Z, 16V	1	
C018,19	ECJ1VC1H330J	C 33PF, J, 50V	2	
C020	ECJ1VF1H103Z	C 0.010UF, Z, 50V	1	
C021	ECJ1XC1H101J	C 100PF, J, 50V	1	
C21	K1MN55BA0076	55P CONNECTOR	1	
C22	K1MN20BA0231	20P CONNECTOR	1	
C23	K1KA12BA0107	12P CONNECTOR	1	
C1100	ECJ0EB1A104K	C 0.1UF, K, 10V	1	
C1102	ECJ0EB1A104K	C 0.1UF, K, 10V	1	
C1103	ECJ0EB1E271K	C 270PF, K, 25V	1	
C1105	ECJ0EB1E271K	C 270PF, K, 25V	1	
C1106	ECJ1VB1A105K	C 0.01UF, Z, 50V	1	
C1107	EEEB0G101R	C 100PF, J, 4V	1	
C1109-11	ECJ0EB1A104K	C 0.1UF, K, 10V	3	
C1112	ECJ0EB1E271K	C 270PF, K, 25V	1	
C1114	ECJ0EB1A104K	C 0.1UF, K, 10V	1	
C1116	ECJ0EB1A104K	C 0.1UF, K, 10V	1	
C1118-23	ECJ0EB1A104K	C 0.1UF, K, 10V	6	
C1125	ECJ0EB1A104K	C 0.1UF, K, 10V	1	
C1127-32	ECJ0EB1A104K	C 0.1UF, K, 10V	6	
C1133,3 4	ECJ1XC1H150J	C 15PF, J, 50V	2	
C1135-42	ECJ0EB1A104K	C 0.1UF, K, 10V	8	
C1144-50	ECJ0EB1A104K	C 0.1UF, K, 10V	7	
C1152	ECJ0EB1A104K	C 0.1UF, K, 10V	1	
C1153	EEEB0G101R	C 100PF, J, 4V	1	
C1154	ECJ0EB1A104K	C 0.1UF, K, 10V	1	
C1155	ECJ0EB1C103K	C0.010UF, K, 16V	1	
C1156,5 7	ECJ1XC1H220J	C 22PF, J, 50V	2	
C1158	F1J0J1060004	C 0.010UF, K, 16V	1	
C1159	ECJ0EB1A104K	C 0.1UF, K, 10V	1	
C1160	EEEB1C470P	C 47PF, J, 16V	1	
C1161	ECJ1VB1A105K	C 0.01UF, Z, 50V	1	
C1162	ECJ0EB1C103K	C0.010UF, K, 16V	1	
C1167,6 8	ECJ1VB1A105K	C 0.01UF, Z, 50V	2	
C1170-72	ECJ0EB1A104K	C 0.1UF, K, 10V	3	
C1177	ECJ1VB1A334K	C 0.1UF, K, 16V	1	
C1178	ECJ1VB1A105K	C 0.01UF, Z, 50V	1	
C1180,8 1	ECJ1VB1H221K	C 220UF, K, 50V	2	
C1186	ECJ0EB1A104K	C 0.1UF, K, 10V	1	
C1190	ECJ0EB1C103K	C0.010UF, K, 16V	1	
C1209	ECJ1VB1A105K	C 0.01UF, Z, 50V	1	
C1212	ECJ1XC1H151J	C 150PF, J, 50V	1	
C1219,2 0	EEEB1C100R	C 10PF, J, 16V	2	
C1221	ECJ0EB1H102K	C 1000PF, K, 50V	1	

Ref. No.	Part No.	Part Name & Description	Pcs	Remarks
C1222,2 3	F1J0J1060004	C 0.010UF, K, 16V	2	
C1226	F1J0J1060004	C 0.010UF, K, 16V	1	
C1227	ECJ0EB1H101K	C 100PF, K, 50V	1	
C1228-34	EEEB1C470P	C 47PF, J, 16V	7	
C1294	ECJ1XC1H330J	C 33PF, J, 50V	1	
C2005-18	ECJ1XC1H561J	C 560PF, J, 50V	14	
C2019	ECA1CM221	E 220UF, 16V	1	
C2020	ECA1HM220	E 22UF, 50V	1	
C2021,2 2	ECJ1XC1H561J	C 560PF, J, 50V	2	
C2103,0 4	ECJ3YB1A106M	C 10UF, M,6.3V	2	
C2111	ECJ2VF1C104Z	C 0.1UF, Z, 16V	1	
C2116	ECJ2VF1C104Z	C 0.1UF, Z, 16V	1	
C2118,1 9	ECEA1CN470U	E 47UF, 16V	2	
C2122,2 3	ECJ3YB1A106M	C 10UF, M,6.3V	2	
C2125,2 6	ECJ1VB1H102K	C 1000PF, K, 50V	2	
C2127	ECA1CMH101	E 100UF, 16V	1	
C2128	ECJ2VF1C104Z	C 0.1UF, Z, 16V	1	
C2129,3 0	F1J1A1050002	C 1UF, Z, 50V	2	
C2131	ECJ2VF1C104Z	C 0.1UF, Z, 16V	1	
C2132	EEEB1C100R	C 10PF, J, 16V	1	
C2133,3 4	ECJ1XC1H470J	C 47PF, J, 50V	2	
C2139-43	ECJ1VB1H103K	C 0.001UF, K, 50V	5	
C2144,4 5	ECJ3YB1A106M	C 10UF, M,6.3V	2	
C2146	ECJ2VF1C104Z	C 0.1UF, Z, 16V	1	
C2147	ECA1HM220	E 22UF, 50V	1	
C2148-50	ECJ2FB1C105K	C 1UF, K, 16V	3	
C2152	ECJ2FB1C105K	C 1UF, K, 16V	1	
C2153	ECJ2FF1C475Z	C 0.047UF, Z, 16V	1	
C2154	ECJ2VF1C104Z	C 0.1UF, Z, 16V	1	
C2155	ECJ2FB1C105K	C 1UF, K, 16V	1	
C2156	ECJ3YB1A106M	C 10UF, M,6.3V	1	
C2157	ECJ2FB1C105K	C 1UF, K, 16V	1	
C2158	ECJ3YB1A106M	C 10UF, M,6.3V	1	
C2159,6 0	ECJ2FB1C105K	C 1UF, K, 16V	2	
C2161	ECA1CMH101	E 100UF, 16V	1	
C2162-69	ECJ2FB1C105K	C 1UF, K, 16V	8	
C2170-72	ECJ1VB1H102K	C 1000PF, K, 50V	3	
C2173	ECJ1VB1H103K	C 0.001UF, K, 50V	1	
C2174	ECJ1VB1H102K	C 1000PF, K, 50V	1	
C2175-77	ECJ1VB1H103K	C 0.001UF, K, 50V	3	
C2178,7 9	EEEB1C100R	C 10PF, J, 16V	2	
C2181	ECJ2VF1C104Z	C 0.1UF, Z, 16V	1	
C2183	EEEB1H3R3R	C 3.3PF, J, 50V	1	
C2184,8 5	ECJ2VF1C104Z	C 0.1UF, Z, 16V	2	
C2189,9 0	ECJ2FB1C105K	C 1UF, K, 16V	2	
C2191	ECJ2VF1C104Z	C 0.1UF, Z, 16V	1	
C2192	EEEB1C100R	C 10PF, J, 16V	1	
C2193,9 4	ECJ2FB1C105K	C 1UF, K, 16V	2	
C2195	ECJ1XC1H470J	C 47PF, J, 50V	1	
C2196	ECJ2VF1C104Z	C 0.1UF, Z, 16V	1	
C2197	ECJ2FB0J225K	C 2.2UF, Z, 16V	1	
C2198	EEEB0J101P	C 100PF, J, 6.3V	1	
C2199	ECJ1VC1H560J	C 56PF, J, 50V	1	
C2200	ECJ1XC1H470J	C 47PF, J, 50V	1	
C2201	ECJ1XC1H030C	C 3PF, C, 50V	1	
C2202	ECJ1XC1H050C	C 5PF, C, 50V	1	

Ref. No.	Part No.	Part Name & Description	Pcs	Remarks
C2203	ECJ1VC1H100C	C 10PF, C, 50V	1	
C2204	ECJ1XC1H220J	C 22PF, J, 50V	1	
C2211	ECJ1VB1C104K	C 0.1UF, K, 16V	1	
C2213	ERJ3GEY0R00	M 0 OHM, 1/16W	1	
C2217	FLH0J1050012	C 1UF, K, 16V	1	
C2218-21	ECJ3YB1A106M	C 10UF, M, 6.3V	4	
C2222	ECJ2VF1C104Z	C 0.1UF, Z, 16V	1	
C2223	ECJ1XC1H390J	C 39PF, J, 50V	1	
C2225	ECJ2FB1C105K	C 1UF, K, 16V	1	
C2226	ECJ1VB1H102K	C 1000PF, K, 50V	1	
C2227	ECA1CMH101	E 100UF, 16V	1	
C2228	ECJ1VB1H103K	C 0.001UF, K, 50V	1	
C2229,30	ECA1CMH101	E 100UF, 16V	2	
C2231	ECA1CHG470	E 47UF, 16V	1	
C2232	FLH0J1050012	C 1UF, K, 16V	1	
C2233,34	ECJ1VB1H102K	C 1000PF, K, 50V	2	
C2235	FLH0J1050012	C 1UF, K, 16V	1	
C2236	ECA1CHG470	E 47UF, 16V	1	
C2237-40	ECJ1VB1H103K	C 0.001UF, K, 50V	4	
C2243	ECA1CHG470	E 47UF, 16V	1	
C2301	ECA1EHG471	E 470UF, 25V	1	
C2303	ECA1CMH101	E 100UF, 16V	1	
C2307	ECA1CMH101	E 100UF, 16V	1	
C2314	ECJ1VB1C105K	C 0.01UF, K, 16V	1	
C2317	ECJ2FB1A105K	C 1UF, K, 10V	1	
C2320	ECJ2FB1A105K	C 1UF, K, 10V	1	
C2321	ECJ2XB1H103K	C 0.01UF, K, 50V	1	
C2322	ECJ2FB1A105K	C 1UF, K, 10V	1	
C2323,24	ECJ2FB1E224K	C 22UF, K, 25V	2	
C2325,26	ECJ1VB1E104K	C 0.10UF, K, 25V	2	
C2327	FLJ1H474A757	C 0.47UF, 50V	1	
C2328-31	ECJ2FB1E105K	C 1UF, K, 25V	4	
C2332,33	ECA1EHG471	E 470UF, 25V	2	
C2334,35	ECJ1VB1E104K	C 0.10UF, K, 25V	2	
C2336	FLJ1H474A757	C 0.47UF, 50V	1	
C2337,38	ECJ2FB1E224K	C 22UF, K, 25V	2	
C2341	ECJ3YB1E106M	C 10 UF, K, 25V	1	
C2342	ECJ2FB1E105K	C 1UF, K, 25V	1	
C2372	ECA1HHG100	E 10UF, 50V	1	
C2373	ECJ1VF1H104Z	C 0.1UF, Z, 50V	1	
C2374	ECJ1VF1A105Z	C 1UF, Z, 10V	1	
C2380	ECJ1VB1H103K	C 0.001UF, K, 50V	1	
C2382	ECJ1VB1C105K	C 0.01UF, K, 16V	1	
C2385	ECJ2FB1A105K	C 1UF, K, 10V	1	
C2387	ECJ2FB1A105K	C 1UF, K, 10V	1	
C2393,94	ECJ1VB1C105K	C 0.01UF, K, 16V	2	
C2401	ECJ2FB1A105K	C 1UF, K, 10V	1	
C2402	ECJ2FB0J106M	C 10UF, Z, 6.3V	1	
C2403	ECJ1VB1H103K	C 0.001UF, K, 50V	1	
C2417	ECJ2FB0J106M	C 10UF, Z, 6.3V	1	
C2430	ECJ1VF1A105Z	C 1UF, Z, 10V	1	
C2510,11	ECJ2VF1C105Z	C 1UF, Z, 16V	2	
C2512	ECJ3XB0J106M	C 10UF, M, 6.3V	1	
C2515	ECJ1VB1H103K	C 0.001UF, K, 50V	1	
C2517	ECJ1VB1H103K	C 0.001UF, K, 50V	1	
C2521	ECJ1VB1H103K	C 0.001UF, K, 50V	1	
C3001-03	ECJ1VB1H102K	C 1000PF, K, 50V	3	
C3021	FLJ1A1050002	C 1UF, Z, 50V	1	
C3022,23	ECJ1VB1H103K	C 0.001UF, K, 50V	2	
C3024-28	FLJ1A1050002	C 1UF, Z, 50V	5	
C3029	ECJ2VF1C105Z	C 1UF, Z, 16V	1	

Ref. No.	Part No.	Part Name & Description	Pcs	Remarks
C3030	ECJ2VF1C104Z	C 0.1UF, Z, 16V	1	
C3031	FLJ1A1050002	C 1UF, Z, 50V	1	
C3033	FLJ1A1050002	C 1UF, Z, 50V	1	
C3035,36	FLJ1A1050002	C 1UF, Z, 50V	2	
C3038	ECJ2VF1C104Z	C 0.1UF, Z, 16V	1	
C3039	FLJ1A1050002	C 1UF, Z, 50V	1	
C3040	ECJ2VF1C104Z	C 0.1UF, Z, 16V	1	
C3041	ECJ1VB1H103K	C 0.001UF, K, 50V	1	
C3043	FLJ1A1050002	C 1UF, Z, 50V	1	
C3045,46	ECJ1VB1H103K	C 0.001UF, K, 50V	2	
C3047	FLJ1A1050002	C 1UF, Z, 50V	1	
C3048	ECJ1VB1H103K	C 0.001UF, K, 50V	1	
C3049-56	FLJ1A1050002	C 1UF, Z, 50V	8	
C3058	ECA1EM471	E 470UF, 25V	1	
C3059	ECJ2VF1C105Z	C 1UF, Z, 16V	1	
C3062-64	ECJ2VF1C104Z	C 0.1UF, Z, 16V	3	
C3065	ECJ1VB1H103K	C 0.001UF, K, 50V	1	
C3066	FLJ1A1050002	C 1UF, Z, 50V	1	
C3067	ECJ1VB1H103K	C 0.001UF, K, 50V	1	
C3068	ECJ2VF1C104Z	C 0.1UF, Z, 16V	1	
C3070	ECA1EM471	E 470UF, 25V	1	
C3071	ECJ2VF1C104Z	C 0.1UF, Z, 16V	1	
C3072	ECA1EM471	E 470UF, 25V	1	
C3073	ECJ2VF1C104Z	C 0.1UF, Z, 16V	1	
C3074	ECA1EM471	E 470UF, 25V	1	
C3075	ECA1CM221	E 220UF, 16V	1	
C3076	ECA1EM471	E 470UF, 25V	1	
C3207	ECA1AM102	E 1000UF, 10V	1	
C3214	ECJ2VF1C104Z	C 0.1UF, Z, 16V	1	
C3216	ECJ2VF1C104Z	C 0.1UF, Z, 16V	1	
C3226-28	ECJ2VF1C104Z	C 0.1UF, Z, 16V	3	
C3230	ECJ2VF1C104Z	C 0.1UF, Z, 16V	1	
C3233	ECJ2VF1C104Z	C 0.1UF, Z, 16V	1	
C3241	ECJ2VF1C104Z	C 0.1UF, Z, 16V	1	
C3262	ECJ1VB1H472K	C 4700PF, K, 50V	1	
C3268	ECJ1VB1H103K	C 0.001UF, K, 50V	1	
C3305	ECJ1XF1C104Z	C 0.1UF, Z, 16V	1	
C3330	ECA1CM470	E 47UF, 16V	1	
C3331	ECJ2XB1H103K	C 0.01UF, K, 50V	1	
C3332	ECJ2VF1C104Z	C 0.1UF, Z, 16V	1	
C3334	ECEALCN470U	E 47UF, 16V	1	
C3335	ECJ2VB1C104K	C 0.1UF, K, 16V	1	
C3336	ECEALCN470U	E 47UF, 16V	1	
C3337	ECJ2VB1C104K	C 0.1UF, K, 16V	1	
C3338	ECEALCN470U	E 47UF, 16V	1	
C3339	ECJ2VB1C104K	C 0.1UF, K, 16V	1	
C3340-42	ECJ2VF1C104Z	C 0.1UF, Z, 16V	3	
C3701	ECJ2XC1H561K	C 560PF, K, 50V	1	
C3703	ECJ2XC1H561K	C 560PF, K, 50V	1	
C3711,12	ECJ2VF1H333Z	C 0.033UF, Z, 50V	2	
C3750,51	ECJ2XC1H102K	C 1000PF, K, 50V	2	
C4003-08	FLJ0J1060004	C 0.010UF, K, 16V	6	
C4014,15	FLJ0J1060004	C 0.010UF, K, 16V	2	
C4023	FLJ0J1060004	C 0.010UF, K, 16V	1	
C4026	ECJ0EB1A104K	C 0.1UF, K, 10V	1	
C4027	ECJ1VB1A105K	C 0.01UF, Z, 50V	1	
C4028	ECJ0EB1C103K	C 0.010UF, K, 16V	1	
C4112	FLJ0J1060004	C 0.010UF, K, 16V	1	
C4117	ECJ0EB1A104K	C 0.1UF, K, 10V	1	
C4158	ECJ1VB1A105K	C 0.01UF, Z, 50V	1	
C4159	FLH1C104A065	C 0.1UF, K, 16V	1	
C4160	ECJ0EB1A104K	C 0.1UF, K, 10V	1	
C4165	ECJ0EB1A104K	C 0.1UF, K, 10V	1	
C4168	ECJ1XC1H680J	C 68PF, J, 50V	1	
C4171	ECJ1XC1H471J	C 470PF, J, 50V	1	

Ref. No.	Part No.	Part Name & Description	Pcs	Remarks
C4172,73	F1H1C104A065	C 0.1UF, K, 16V	2	
C4174	ECJ0EB1A104K	C 0.1UF, K, 10V	1	
C4175	F1H1C104A065	C 0.1UF, K, 16V	1	
C4176	ECJ1VB0J225K	C 2.2UF, K, 6.3V	1	
C4177	ECJ2FB1C684K	C 68UF, Z, 16V	1	
C4178	ECJ1XB1C393K	C 0.039UF, K, 16V	1	
C4180	F1H1C104A065	C 0.1UF, K, 16V	1	
C4185,86	ECJ3XB0J106M	C 10UF, M,6.3V	2	
C4188	FLJ0J1060004	C 0.010UF, K, 16V	1	
C4189-91	ECJ0EB1A104K	C 0.1UF, K, 10V	3	
C4193	ECJ0EB1H102K	C 1000PF, K, 50V	1	
C4194-97	F1H1C104A065	C 0.1UF, K, 16V	4	
C4199	ECJ0EB1C103K	C0.010UF, K, 16V	1	
C4200	EEEB1C470P	C 47PF, J, 16V	1	
C4201	ECJ0EB1C103K	C0.010UF, K, 16V	1	
C4204	ECJ0EB1A104K	C 0.1UF, K, 10V	1	
C4205,06	F1H1C104A065	C 0.1UF, K, 16V	2	
C4208,09	ECJ0EB1A104K	C 0.1UF, K, 10V	2	
C4211	ECJ0EB1A104K	C 0.1UF, K, 10V	1	
C4215	ECJ0EB1A104K	C 0.1UF, K, 10V	1	
C4216	EEEB1C470P	C 47PF, J, 16V	1	
C4217	F1H1C104A065	C 0.1UF, K, 16V	1	
C4218	ECJ0EB1H102K	C 1000PF, K, 50V	1	
C4219	ECJ1VB1A105K	C 0.01UF, Z, 50V	1	
C4224	ECJ0EB1A104K	C 0.1UF, K, 10V	1	
C4227	ECJ1VB1C823K	C 0.082UF, K, 16V	1	
C4228	ECJ0EB1C103K	C0.010UF, K, 16V	1	
C4235	ECJ0EB1C103K	C0.010UF, K, 16V	1	
C4244	ECJ1VB1A105K	C 0.01UF, Z, 50V	1	
C4245	ECJ0EB1A104K	C 0.1UF, K, 10V	1	
C4248	ECJ0EB1A104K	C 0.1UF, K, 10V	1	
C4253	EEEB1C470P	C 47PF, J, 16V	1	
C4256	ECJ1VB1A105K	C 0.01UF, Z, 50V	1	
C4262-64	ECJ0EB1A104K	C 0.1UF, K, 10V	3	
C4266	ECJ0EB1C103K	C0.010UF, K, 16V	1	
C4269	ECJ1VB1A105K	C 0.01UF, Z, 50V	1	
C4272	EEEB1C470P	C 47PF, J, 16V	1	
C4273	ECJ0EB1A104K	C 0.1UF, K, 10V	1	
C4281-84	ECJ0EB1A104K	C 0.1UF, K, 10V	4	
C4287,88	ECJ0EB1A104K	C 0.1UF, K, 10V	2	
C4289,90	EEEB0J330R	C 33PF, J, 6.3V	2	
C4291,92	ECJ0EB1A104K	C 0.1UF, K, 10V	2	
C4296	FLJ0J1060004	C 0.010UF, K, 16V	1	
C4297	ECJ0EB1A104K	C 0.1UF, K, 10V	1	
C4298-06	ECJ1VB1A105K	C 0.01UF, Z, 50V	9	
C4307-09	ECJ0EB1A104K	C 0.1UF, K, 10V	3	
C4310	ECJ0EB1C103K	C0.010UF, K, 16V	1	
C4311	ECJ0EB1A104K	C 0.1UF, K, 10V	1	
C4312	ECJ0EB1C103K	C0.010UF, K, 16V	1	
C4313,14	ECJ0EB1A104K	C 0.1UF, K, 10V	2	
C4315	FLJ0J1060004	C 0.010UF, K, 16V	1	
C4316-18	ECJ0EB1A104K	C 0.1UF, K, 10V	3	
C4320-22	ECJ0EB1A104K	C 0.1UF, K, 10V	3	
C4325	ECJ0EB1A104K	C 0.1UF, K, 10V	1	
C4327	ECJ0EB1A104K	C 0.1UF, K, 10V	1	
C4329,30	ECJ0EB1A104K	C 0.1UF, K, 10V	2	
C4331	FLJ0J1060004	C 0.010UF, K, 16V	1	
C4332	ECJ1VB1A105K	C 0.01UF, Z, 50V	1	

Ref. No.	Part No.	Part Name & Description	Pcs	Remarks
C4333-38	ECJ0EB1A104K	C 0.1UF, K, 10V	6	
C4339	ECJ1VB0J225K	C 2.2UF, K, 6.3V	1	
C4340	ECJ1XC1H471J	C 470PF, J, 50V	1	
C4341	EEEB1C470P	C 47PF, J, 16V	1	
C4342	ECJ0EB1A104K	C 0.1UF, K, 10V	1	
C4343	EEEB1C100R	C 10PF, J, 16V	1	
C4344,45	FLJ0J1060004	C 0.010UF, K, 16V	2	
C4346	ECJ0EB1A104K	C 0.1UF, K, 10V	1	
C4347	ECJ1VB1A105K	C 0.01UF, Z, 50V	1	
C4348	EEEB1C470P	C 47PF, J, 16V	1	
C4349	ECJ0EB1C103K	C0.010UF, K, 16V	1	
C4350,51	ECJ1XC1H181J	C 180PF, J, 50V	2	
C4352,53	ECJ1XC1H330J	C 33PF, J, 50V	2	
C4354	ECJ0EB1C103K	C0.010UF, K, 16V	1	
C4360	ECJ1VB1A105K	C 0.01UF, Z, 50V	1	
C4362	FLJ0J1060004	C 0.010UF, K, 16V	1	
C4363,64	ECJ0EB1A104K	C 0.1UF, K, 10V	2	
C4365	ECJ1VB1A105K	C 0.01UF, Z, 50V	1	
C4366	EEEB1C470P	C 47PF, J, 16V	1	
C4367	ECJ0EB1A104K	C 0.1UF, K, 10V	1	
C4371	ECJ0EB1H102K	C 1000PF, K, 50V	1	
C4372	ECJ0EB1A104K	C 0.1UF, K, 10V	1	
C4373	ECJ1VB1A105K	C 0.01UF, Z, 50V	1	
C4374	ECJ0EB1A104K	C 0.1UF, K, 10V	1	
C4375,76	ECJ0EB1H102K	C 1000PF, K, 50V	2	
C4377	ECJ0EB1A104K	C 0.1UF, K, 10V	1	
C4379	ECJ0EB1A104K	C 0.1UF, K, 10V	1	
C4380	ECJ0EB1H102K	C 1000PF, K, 50V	1	
C4381,82	ECJ0EB1A104K	C 0.1UF, K, 10V	2	
C4383	ECJ0EB1H102K	C 1000PF, K, 50V	1	
C4384	ECJ0EB1A104K	C 0.1UF, K, 10V	1	
C4385	ECJ0EB1H102K	C 1000PF, K, 50V	1	
C4386	ECJ0EB1A104K	C 0.1UF, K, 10V	1	
C4387	ECJ0EB1H102K	C 1000PF, K, 50V	1	
C4388	ECJ1VB1A105K	C 0.01UF, Z, 50V	1	
C4389	ECJ0EB1A104K	C 0.1UF, K, 10V	1	
C4390	ECJ0EB1H102K	C 1000PF, K, 50V	1	
C4391	ECJ1VB1A105K	C 0.01UF, Z, 50V	1	
C4392	ECJ0EB1A104K	C 0.1UF, K, 10V	1	
C4393,94	ECJ0EB1H102K	C 1000PF, K, 50V	2	
C4395	ECJ0EB1A104K	C 0.1UF, K, 10V	1	
C4396	ECJ0EB1H102K	C 1000PF, K, 50V	1	
C4397,98	ECJ0EB1A104K	C 0.1UF, K, 10V	2	
C4399,00	ECJ1VB1A105K	C 0.01UF, Z, 50V	2	
C4401	ECJ0EB1A104K	C 0.1UF, K, 10V	1	
C4402,03	ECJ0EB1H102K	C 1000PF, K, 50V	2	
C4404	ECJ0EB1A104K	C 0.1UF, K, 10V	1	
C4405	ECJ1VB1A105K	C 0.01UF, Z, 50V	1	
C4406	ECJ0EB1H102K	C 1000PF, K, 50V	1	
C4407,08	ECJ0EB1A104K	C 0.1UF, K, 10V	2	
C4409	ECJ0EB1H102K	C 1000PF, K, 50V	1	
C4410	ECJ1VB1A105K	C 0.01UF, Z, 50V	1	
C4411,12	ECJ0EB1A104K	C 0.1UF, K, 10V	2	
C4413,14	ECJ0EB1H102K	C 1000PF, K, 50V	2	
C4415	ECJ0EB1A104K	C 0.1UF, K, 10V	1	
C4417	EEEB1C470P	C 47PF, J, 16V	1	
C4418,19	ECJ1VB1A105K	C 0.01UF, Z, 50V	2	
C4420,21	ECJ0EB1A104K	C 0.1UF, K, 10V	2	
C4422-24	ECJ0EB1H102K	C 1000PF, K, 50V	3	

Ref. No.	Part No.	Part Name & Description	Pcs	Remarks
C4425,26	ECJ0EB1A104K	C 0.1UF, K, 10V	2	
C4427	ECJ0EB1H102K	C 1000PF, K, 50V	1	
C4428	ECJ0EB1A104K	C 0.1UF, K, 10V	1	
C4429,30	ECJ0EB1H102K	C 1000PF, K, 50V	2	
C4434	ECJ0EB1H102K	C 1000PF, K, 50V	1	
C4435	ECJ1VB1A105K	C 0.01UF, Z, 50V	1	
C4436-39	ECJ0EB1H102K	C 1000PF, K, 50V	4	
C4440	ECJ0EB1A104K	C 0.1UF, K, 10V	1	
C4441,42	ECJ0EB1H102K	C 1000PF, K, 50V	2	
C4447	ECJ1VB1A105K	C 0.01UF, Z, 50V	1	
C4448	ECJ0EB1C103K	C0.010UF, K, 16V	1	
C4451	ECJ0EB1H102K	C 1000PF, K, 50V	1	
C4452	ECJ0EB1A104K	C 0.1UF, K, 10V	1	
C4453,54	ECJ0EB1H102K	C 1000PF, K, 50V	2	
C4455	ECJ1VB1A105K	C 0.01UF, Z, 50V	1	
C4456	ECJ0EB1A104K	C 0.1UF, K, 10V	1	
C4457,58	ECJ0EB1H102K	C 1000PF, K, 50V	2	
C4459	ECJ0EB1A104K	C 0.1UF, K, 10V	1	
C4460	ECJ0EB1H102K	C 1000PF, K, 50V	1	
C4461	ECJ1XC1H820J	C 82PF, J, 50V	1	
C4462	ECJ0EB1A104K	C 0.1UF, K, 10V	1	
C4464	ECJ1VB1A105K	C 0.01UF, Z, 50V	1	
C4465	ECJ0EB1A104K	C 0.1UF, K, 10V	1	
C4466	ECJ0EB1C103K	C0.010UF, K, 16V	1	
C4467	ECJ0EB1A104K	C 0.1UF, K, 10V	1	
C4470	ECJ1VB1A105K	C 0.01UF, Z, 50V	1	
C4474	ECJ1VB1A105K	C 0.01UF, Z, 50V	1	
C4475,76	ECJ0EB1H102K	C 1000PF, K, 50V	2	
C4477	ECJ0EB1A104K	C 0.1UF, K, 10V	1	
C4478	ECJ1VB1A105K	C 0.01UF, Z, 50V	1	
C4479-81	ECJ0EB1H102K	C 1000PF, K, 50V	3	
C4482	ECJ1XC1H180J	C 18PF, J, 50V	1	
C4483	ECJ1XC1H150J	C 15PF, J, 50V	1	
C4493	ECJ0EB1A104K	C 0.1UF, K, 10V	1	
C4494	ECJ1VB1A105K	C 0.01UF, Z, 50V	1	
C4496	ECJ0EB1A104K	C 0.1UF, K, 10V	1	
C4497	EEHBOG101R	C 100PF, J, 4V	1	
C4498	ECJ1XC1H471J	C 470PF, J, 50V	1	
C4499	EEFCD0G560ER	56UF,	1	
C4501	ECJ0EB1A104K	C 0.1UF, K, 10V	1	
C4502	ECJ0EB1C103K	C0.010UF, K, 16V	1	
C4503	ECJ0EB1A104K	C 0.1UF, K, 10V	1	
C4504	ECJ0EB1C103K	C0.010UF, K, 16V	1	
C4505	ECJ0EB1A104K	C 0.1UF, K, 10V	1	
C4506	ECJ0EB1C103K	C0.010UF, K, 16V	1	
C4507	ECJ0EB1A104K	C 0.1UF, K, 10V	1	
C4508	ECJ0EB1C103K	C0.010UF, K, 16V	1	
C4509-11	ECJ0EB1A104K	C 0.1UF, K, 10V	3	
C4512	ECJ0EB1C103K	C0.010UF, K, 16V	1	
C4513	ECJ0EB1A104K	C 0.1UF, K, 10V	1	
C4514	ECJ0EB1C103K	C0.010UF, K, 16V	1	
C4515,16	ECJ0EB1A104K	C 0.1UF, K, 10V	2	
C4517	ECJ0EB1C103K	C0.010UF, K, 16V	1	
C4518	ECJ0EB1A104K	C 0.1UF, K, 10V	1	
C4519	ECJ0EB1C103K	C0.010UF, K, 16V	1	
C4520	ECJ0EB1A104K	C 0.1UF, K, 10V	1	
C4521	ECJ0EB1C103K	C0.010UF, K, 16V	1	
C4522	ECJ0EB1A104K	C 0.1UF, K, 10V	1	
C4523	ECJ0EB1C103K	C0.010UF, K, 16V	1	
C4524	ECJ0EB1A104K	C 0.1UF, K, 10V	1	
C4525	ECJ0EB1C103K	C0.010UF, K, 16V	1	
C4526	ECJ0EB1A104K	C 0.1UF, K, 10V	1	
C4527	ECJ0EB1C103K	C0.010UF, K, 16V	1	
C4528	EEHBLC470P	C 47PF, J, 16V	1	
C4529	ECJ0EB1A104K	C 0.1UF, K, 10V	1	

Ref. No.	Part No.	Part Name & Description	Pcs	Remarks
C4530,31	ECJ0EB1H102K	C 1000PF, K, 50V	2	
C4532,33	ECJ0EB1A104K	C 0.1UF, K, 10V	2	
C4534	ECJ0EB1H102K	C 1000PF, K, 50V	1	
C4535	ECJ0EB1A104K	C 0.1UF, K, 10V	1	
C4536	ECJ1VB1A105K	C 0.01UF, Z, 50V	1	
C4537	EEHBOG101R	C 100PF, J, 4V	1	
C4538	ECJ0EB1A104K	C 0.1UF, K, 10V	1	
C4539	ECJ1VB1A105K	C 0.01UF, Z, 50V	1	
C4540	ECJ0EB1H102K	C 1000PF, K, 50V	1	
C4541	ECJ0EB1A104K	C 0.1UF, K, 10V	1	
C4543	FLH1C104A065	C 0.1UF, K, 16V	1	
C4544	ECJ1VB1C105K	C 0.01UF, K, 16V	1	
C5604	ECA1HHG100	E 10UF, 50V	1	
C5605	EEUFCL1E471	E 470UF, 25V	1	
C5606	ECA1CM471	E 470UF, 16V	1	
C5609	ECA1HM220	E 22UF, 50V	1	
C5611	F2A1H331A257	E 330UF, 50V	1	
C5612	ECA1CM471	E 470UF, 16V	1	
C5613	ECJ1VB1E104K	C 0.10UF, K, 25V	1	
C5616	ECJ1VB1E104K	C 0.10UF, K, 25V	1	
C5617	ECA1CM471	E 470UF, 16V	1	
C5618,19	ECJ1VB1E104K	C 0.10UF, K, 25V	2	
C5622	ECA1CM471	E 470UF, 16V	1	
C5623	ECJ1VB1E104K	C 0.10UF, K, 25V	1	
C5626	ECJ1XF1C104Z	C 0.1UF, Z, 16V	1	
C5633	ECA1EM221	E 220UF, 25V	1	
C5637	ECJ1XF1C104Z	C 0.1UF, Z, 16V	1	
C5641-44	ECJ1XF1C104Z	C 0.1UF, Z, 16V	4	
C5645	ECA1CHG470	E 47UF, 16V	1	
C5646	ECJ1VB1H103K	C 0.001UF, K, 50V	1	
C5647	ECA1CHG470	E 47UF, 16V	1	
C5648	ECJ1VB1H103K	C 0.001UF, K, 50V	1	
C5670	ECJ1VB1E104K	C 0.10UF, K, 25V	1	
C5672	ECA1HHG100	E 10UF, 50V	1	
C5673	ECJ1XF1C104Z	C 0.1UF, Z, 16V	1	
C5685	ECA1HHG100	E 10UF, 50V	1	
C5686	ECJ2XB1H103K	C 0.01UF, K, 50V	1	
C5801,02	EEUFCL1E471	E 470UF, 25V	2	
C5804	ECJ1XF1C104Z	C 0.1UF, Z, 16V	1	
C5805	ECJ2VF1C105Z	C 1UF, Z, 16V	1	
C5809	ECJ3XF1E105Z	C 1UF, Z, 25V	1	
C5810	ECA1EHG470	E 47UF, 25V	1	
C6001	FL1L2J562A022	C 5600UF, K,6.3V	1	
C6011-14	F2A2T201A001	E 200UF,	4	
C6021	FL1L2J562A022	C 5600UF, K,6.3V	1	
C6031	ECQE2255JF	P 2.5UF, K,250V	1	
C6041-44	TCUY1C105ZFN	C 1UF, 16V	4	
C6111,12	F2A2D221A022	E 220UF, 200V	2	
C6132	FL1L1E4750004	C 4.7UF, 25V	1	
C6134,35	FL1L1E4750004	C 4.7UF, 25V	2	
C6151	ECJ3YB1E105K	C 1UF, K, 25V	1	
C6152-55	FL1L1E4750004	C 4.7UF, 25V	4	
C6192	ECJ3YB1E105K	C 1UF, K, 25V	1	
C6194,95	FL1L1E4750004	C 4.7UF, 25V	2	
C6201,02	F0C2E405A176	E 0.040UF, 250V	2	
C6211,12	FL1L1E4750004	C 4.7UF, 25V	2	
C6213,14	ECA1EM471	E 470UF, 25V	2	
C6221	ECJ2XB1H104K	C 0.1UF, K, 50V	1	
C6241	ECA1EM471	E 470UF, 25V	1	
C6242	TCUY1C105ZFN	C 1UF, 16V	1	
C6243	ECJ2XB1H103K	C 0.01UF, K, 50V	1	
C6251	TCUY1C105ZFN	C 1UF, 16V	1	

Ref. No.	Part No.	Part Name & Description	Pcs	Remarks
C6261,62	ECA2CM101	E 100UF, 160V	2	
C6271	ECJ3YB1E105K	C 1UF, K, 25V	1	
C6272,73	EEUFC1E221	E 220UF, 25V	2	
C6401	F1L2J562A022	C 5600UF, K,6.3V	1	
C6411-14	F2A2T201A001	E 200UF,	4	
C6421	F1L2J562A022	C 5600UF, K,6.3V	1	
C6431	F0C2E405A176	E 0.040UF, 250V	1	
C6472	ECJ2XB1H104K	C 0.1UF, K, 50V	1	
C6480	ECJ2XB1H104K	C 0.1UF, K, 50V	1	
C6502	F1L1E4750004	C 4.7UF, 25V	1	
C6504,05	F1L1E4750004	C 4.7UF, 25V	2	
C6511,12	F0C2E405A176	E 0.040UF, 250V	2	
C6521	ECJ3YB1E105K	C 1UF, K, 25V	1	
C6522	F1L1E4750004	C 4.7UF, 25V	1	
C6524,25	F1L1E4750004	C 4.7UF, 25V	2	
C6527	F1L1E4750004	C 4.7UF, 25V	1	
C6561	F2A1A1010074	E 100UF, 10V	1	
C6563	F2A1A1010074	E 100UF, 10V	1	
C6565,66	ECJ2XB1H103K	C 0.01UF, K, 50V	2	
C6581	ECJ3YB1E105K	C 1UF, K, 25V	1	
C6582	TCUY1C105ZFN	C 1UF, 16V	1	
C6591	ECJ3YB1E105K	C 1UF, K, 25V	1	
C6592	ECA1EM471	E 470UF, 25V	1	
C6593	ECJ2XC1H102J	C 1000PF, J, 50V	1	
C6601,02	F1L1E4750004	C 4.7UF, 25V	2	
C6603	F1K2J102A014	C 1000UF, K,6.3V	1	
C6604	F2A2V470A020	E 47UF, 350V	1	
C6605	ECJ2XB1H104K	C 0.1UF, K, 50V	1	
C6606	F1K2J102A014	C 1000UF, K,6.3V	1	
C6610	ECJ3YB1E105K	C 1UF, K, 25V	1	
C6611	ECJ2XB1H103K	C 0.01UF, K, 50V	1	
C6612	ECJ3YB1E105K	C 1UF, K, 25V	1	
C6620	ECJ3XB2J222K	C 2200PF, K,630V	1	
C6641	ECQE2224KF	P 2.2UF, K,250V	1	
C6661,62	F1K2J102A014	C 1000UF, K,6.3V	2	
C6671	F1L1E4750004	C 4.7UF, 25V	1	
C6681,82	F1L1E4750004	C 4.7UF, 25V	2	
C6683	ECJ2XB1H104K	C 0.1UF, K, 50V	1	
C6691	ECA2CM101	E 100UF, 160V	1	
C6701-08	ECJ2XB1H104K	C 0.1UF, K, 50V	8	
C6721	ECA1HM101	E 100UF, 50V	1	
C6723-25	F1L1E4750004	C 4.7UF, 25V	3	
C6726,27	TCUY1C105ZFN	C 1UF, 16V	2	
C6728	ECJ2XC1H102J	C 1000PF, J, 50V	1	
C6752	TCUY1C105ZFN	C 1UF, 16V	1	
C6753	F1L1E4750004	C 4.7UF, 25V	1	
C6754	ECA1VM470	E 47UF, 35V	1	
C6755	ECJ2XB1H104K	C 0.1UF, K, 50V	1	
C6771	TCUY1C105ZFN	C 1UF, 16V	1	
C6772,73	F1L1E4750004	C 4.7UF, 25V	2	
C6775	F1L1E4750004	C 4.7UF, 25V	1	
C6776,77	ECJ2XB1H104K	C 0.1UF, K, 50V	2	
C6791	EEUFC1E221	E 220UF, 25V	1	
C6795,96	EEUFC1E221	E 220UF, 25V	2	
C6802	EEUFC1E221	E 220UF, 25V	1	
C6803	ECJ2XB1H104K	C 0.1UF, K, 50V	1	
C6804	F2A2E100A022	E 10UF, 250V	1	
C6805	TCUY1C105ZFN	C 1UF, 16V	1	
C6806,07	ECA2CM101	E 100UF, 160V	2	

Ref. No.	Part No.	Part Name & Description	Pcs	Remarks
C6811	ECJ2XB1H103K	C 0.01UF, K, 50V	1	
C6812	ECJ3YB1E105K	C 1UF, K, 25V	1	
C6822	F2A2V100A019	E 10UF, 350V	1	
C6823	ECJ2XB1H103K	C 0.01UF, K, 50V	1	
C6841,42	ECA2CM101	E 100UF, 160V	2	
C6845	ECJ2XB1H103K	C 0.01UF, K, 50V	1	
C6861	TCUY1C105ZFN	C 1UF, 16V	1	
C6862	ECJ3YB1E105K	C 1UF, K, 25V	1	
C6863	ECJ2XB1H103K	C 0.01UF, K, 50V	1	
C6871	TCUY1C105ZFN	C 1UF, 16V	1	
C6872	ECJ3YB1E105K	C 1UF, K, 25V	1	
C6873	ECJ2XB1H103K	C 0.01UF, K, 50V	1	
C6901	ECJ2XB1H102K	C 1000PF, K, 50V	1	
C6902	TCUY1C105ZFN	C 1UF, 16V	1	
C6904	TCUY1C105ZFN	C 1UF, 16V	1	
C6906	TCUY1C105ZFN	C 1UF, 16V	1	
C6908	TCUY1C105ZFN	C 1UF, 16V	1	
C6910	TCUY1C105ZFN	C 1UF, 16V	1	
C6912	TCUY1C105ZFN	C 1UF, 16V	1	
C6914-18	ECJ2XB1H221K	C 220PF, K, 50V	5	
C6931	ECJ2XB1H102K	C 1000PF, K, 50V	1	
C6932-35	F1L2E105A013	E 0.10UF, 25V	4	
C6951	ECJ2XB1H102K	C 1000PF, K, 50V	1	
C6952	TCUY1C105ZFN	C 1UF, 16V	1	
C6954	TCUY1C105ZFN	C 1UF, 16V	1	
C6956	TCUY1C105ZFN	C 1UF, 16V	1	
C6958	TCUY1C105ZFN	C 1UF, 16V	1	
C6960	TCUY1C105ZFN	C 1UF, 16V	1	
C6962	TCUY1C105ZFN	C 1UF, 16V	1	
C6964-68	ECJ2XB1H221K	C 220PF, K, 50V	5	
C6981	ECJ2XB1H102K	C 1000PF, K, 50V	1	
C6982-85	F1L2E105A013	E 0.10UF, 25V	4	
C7108	ECJ3XB2A474K	C 0.47UF, 6.3V	1	
C7110	TCUY1C105ZFN	C 1UF, 16V	1	
C7111,12	ECJ3XB2A474K	C 0.47UF, 6.3V	2	
C7114	TCUY1C105ZFN	C 1UF, 16V	1	
C7115	ECJ3XB2A474K	C 0.47UF, 6.3V	1	
C7116	TCUY1C105ZFN	C 1UF, 16V	1	
C7117	ECJ1XC1H101J	C 100PF, J, 50V	1	
C7119	ECJ3XB2A474K	C 0.47UF, 6.3V	1	
C7121	TCUY1C105ZFN	C 1UF, 16V	1	
C7122	ECJ3XB2A474K	C 0.47UF, 6.3V	1	
C7123	TCUY1C105ZFN	C 1UF, 16V	1	
C7124	ECJ1XC1H101J	C 100PF, J, 50V	1	
C7126	TCUY1C105ZFN	C 1UF, 16V	1	
C7127	ECJ1XC1H101J	C 100PF, J, 50V	1	
C7130	ECJ1XB1C104K	C 0.1UF, Z, 16V	1	
C7134	ECJ1XB1C104K	C 0.1UF, Z, 16V	1	
C7137,38	ECJ1XB1C104K	C 0.1UF, Z, 16V	2	
C7140	TCUY1C105ZFN	C 1UF, 16V	1	
C7141	ECJ1XC1H101J	C 100PF, J, 50V	1	
C7143	ECJ3XB2A474K	C 0.47UF, 6.3V	1	
C7145	TCUY1C105ZFN	C 1UF, 16V	1	
C7146	ECJ3XB2A474K	C 0.47UF, 6.3V	1	
C7148	ECJ1XB1C104K	C 0.1UF, Z, 16V	1	
C7201	ECJ3XB2A474K	C 0.47UF, 6.3V	1	
C7203	TCUY1C105ZFN	C 1UF, 16V	1	
C7204,05	ECJ3XB2A474K	C 0.47UF, 6.3V	2	
C7207	TCUY1C105ZFN	C 1UF, 16V	1	
C7208	ECJ3XB2A474K	C 0.47UF, 6.3V	1	
C7209	TCUY1C105ZFN	C 1UF, 16V	1	
C7210	ECJ1XC1H101J	C 100PF, J, 50V	1	
C7212	ECJ3XB2A474K	C 0.47UF, 6.3V	1	
C7214	TCUY1C105ZFN	C 1UF, 16V	1	
C7215	ECJ3XB2A474K	C 0.47UF, 6.3V	1	
C7216	TCUY1C105ZFN	C 1UF, 16V	1	
C7217	ECJ1XC1H101J	C 100PF, J, 50V	1	

Ref. No.	Part No.	Part Name & Description	Pcs	Remarks
C7219	TCUY1C105ZFN	C 1UF, 16V	1	
C7220	ECJ1XC1H101J	C 100PF, J, 50V	1	
C7223	ECJ1XB1C104K	C 0.1UF, Z, 16V	1	
C7225	ECJ1XB1C104K	C 0.1UF, Z, 16V	1	
C7227	ECJ1XB1C104K	C 0.1UF, Z, 16V	1	
C7229	ECJ1XB1C104K	C 0.1UF, Z, 16V	1	
C7235	TCUY1C105ZFN	C 1UF, 16V	1	
C7236	ECJ1XC1H101J	C 100PF, J, 50V	1	
C7238	ECJ3XB2A474K	C 0.47UF, 6.3V	1	
C7240	TCUY1C105ZFN	C 1UF, 16V	1	
C7241	ECJ3XB2A474K	C 0.47UF, 6.3V	1	
C7244	ECJ1XB1C104K	C 0.1UF, Z, 16V	1	
C8001	ECJ0EB1C103K	C0.010UF, K, 16V	1	
C8002	ECJ0EB1A104K	C 0.1UF, K, 10V	1	
C8003	ECJ0EB1C103K	C0.010UF, K, 16V	1	
C8004	ECJ0EB1A104K	C 0.1UF, K, 10V	1	
C8005	EEHBC100R	C 10PF, J, 16V	1	
C8007	ECJ0EB1H102K	C 1000PF, K, 50V	1	
C8015	ECJ1VC1H080C	C 8PF, C, 50V	1	
C8019,20	ECJ0EB1C103K	C0.010UF, K, 16V	2	
C8021	ECJ0EB1H102K	C 1000PF, K, 50V	1	
C8030	ECJ0EB1C103K	C0.010UF, K, 16V	1	
C8034,35	ECJ0EF1C104Z	C 0.10UF, Z, 16V	2	
C8037	ECJ0EB1C103K	C0.010UF, K, 16V	1	
C8039,40	ECJ0EB1C103K	C0.010UF, K, 16V	2	
C8041	EEHBOG101R	C 100PF, J, 4V	1	
C8042,43	ECJ1VC1H100C	C 10PF, C, 50V	2	
C8046-48	ECJ0EB1C103K	C0.010UF, K, 16V	3	
C8051,52	ECJ0EB1C103K	C0.010UF, K, 16V	2	
C8055	EEHBC1470P	C 47PF, J, 16V	1	
C8056	ECJ0EB1C103K	C0.010UF, K, 16V	1	
C8058-61	ECJ0EB1C103K	C0.010UF, K, 16V	4	
C8062	FLG1A1540001	C 0.15UF, K, 10V	1	PAVCCZ
C8071	ECJ0EC1H270J	C 270PF, K, 50V	1	
C8073	ECJ0EC1H270J	C 270PF, K, 50V	1	
C8098	ECGRLOG680ER	C 68PF, J, 4V	1	
C8099,0	ECJ0EB1A104K	C 0.1UF, K, 10V	2	
C8101,02	ECJ1VB0J105K	C 1UF, K, 6.3V	2	
C8103,04	ECJ0EB1A104K	C 0.1UF, K, 10V	2	
C8105	EEHBOG101R	C 100PF, J, 4V	1	
C8106,07	ECJ1VB0J105K	C 1UF, K, 6.3V	2	
C8108	ECJ0EB1A104K	C 0.1UF, K, 10V	1	
C8109	EEHBOG101R	C 100PF, J, 4V	1	
C8110	ECJ0EB1A104K	C 0.1UF, K, 10V	1	
C8121	ECJ0EB1A104K	C 0.1UF, K, 10V	1	
C8128,29	ECJ0EB1C103K	C0.010UF, K, 16V	2	
C8134	ECJ0EB1C103K	C0.010UF, K, 16V	1	
C8135	ECJ0EB1A473K	C 0.047UF, K, 10V	1	
C8136	ECGRLOG680ER	C 68PF, J, 4V	1	
C8138	ECJ0EB1C103K	C0.010UF, K, 16V	1	
C8139	ECGRLOG680ER	C 68PF, J, 4V	1	
C8140	ECJ0EB1A104K	C 0.1UF, K, 10V	1	
C8141	ECJ0EB1C103K	C0.010UF, K, 16V	1	
C8142	ECJ0EB1A104K	C 0.1UF, K, 10V	1	
C8143	ECJ0EB1C103K	C0.010UF, K, 16V	1	
C8144	ECJ0EB1A104K	C 0.1UF, K, 10V	1	
C8145	ECJ0EB1C103K	C0.010UF, K, 16V	1	
C8146	ECJ0EB1A104K	C 0.1UF, K, 10V	1	
C8147	ECJ0EB1C103K	C0.010UF, K, 16V	1	
C8148	ECJ0EB1A104K	C 0.1UF, K, 10V	1	
C8149	ECJ1VB0J105K	C 1UF, K, 6.3V	1	
C8150	ECJ0EB1C103K	C0.010UF, K, 16V	1	
C8151	ECJ0EB1A104K	C 0.1UF, K, 10V	1	

Ref. No.	Part No.	Part Name & Description	Pcs	Remarks
C8154-56	ECJ0EB1A104K	C 0.1UF, K, 10V	3	
C8157	ECJ0EB1C103K	C0.010UF, K, 16V	1	
C8160	ECJ0EB1A104K	C 0.1UF, K, 10V	1	
C8161-64	ECJ0EB1C103K	C0.010UF, K, 16V	4	
C8165	ECJ0EB1A104K	C 0.1UF, K, 10V	1	
C8166	ECJ0EB1C103K	C0.010UF, K, 16V	1	
C8167	ECJ0EB1A104K	C 0.1UF, K, 10V	1	
C8168	ECJ0EB1C103K	C0.010UF, K, 16V	1	
C8169	EEHBOG470R	C 47PF, J, 4V	1	
C8170	ECJ0EF1C104Z	C 0.10UF, Z, 16V	1	
C8171	ECJ0EB1A104K	C 0.1UF, K, 10V	1	
C8172	EEHBOG470R	C 47PF, J, 4V	1	
C8173-75	ECJ0EB1C103K	C0.010UF, K, 16V	3	
C8176	ECJ0EF1C104Z	C 0.10UF, Z, 16V	1	
C8182	ECJ0EC1H121J	C 120PF, K, 50V	1	
C8186	ECJ0EC1H680J	C 680PF, K, 50V	1	
C8189	ECJ0EF1C104Z	C 0.10UF, Z, 16V	1	
C8193	EEHBOJ101P	C 100PF, J, 6.3V	1	
C8202,03	EEHBC1470P	C 47PF, J, 16V	2	
C8204	ECJ3XB1C106M	C 1.0UF, K, 16V	1	
C8205,06	ECJ0EB1A104K	C 0.1UF, K, 10V	2	
C8207	EEHBC1470P	C 47PF, J, 16V	1	
C8208	ECJ3XB1C106M	C 1.0UF, K, 16V	1	
C8210	ECJ0EB1A333K	C 0.033UF, K, 10V	1	
C8212	ECJ0EB1C223K	C 0.022UF, K, 16V	1	
C8240	ECJ1VB0J105K	C 1UF, K, 6.3V	1	
C8268	ECJ1VB0J105K	C 1UF, K, 6.3V	1	
C8269	ECJ0EB1A104K	C 0.1UF, K, 10V	1	
C8303	ECJ0EB1C103K	C0.010UF, K, 16V	1	
C8305,06	ECJ0EB1C103K	C0.010UF, K, 16V	2	
C8314	ECJ0EF1C104Z	C 0.10UF, Z, 16V	1	
C8315	ECJ2FF1A475Z	C 4.7UF, Z, 10V	1	
C8317,18	ECJ2FF1A475Z	C 4.7UF, Z, 10V	2	
C8319	ECJ0EF1C104Z	C 0.10UF, Z, 16V	1	
C8320-23	ECJ1VB0J105K	C 1UF, K, 6.3V	4	
C8327	EEHBC1470P	C 47PF, J, 16V	1	
C8329	ECJ0EB1C103K	C0.010UF, K, 16V	1	
C8330,31	ECJ0EC1H181J	C 180PF, K, 50V	2	
C8332	ECJ0EB1C103K	C0.010UF, K, 16V	1	
C8334,35	ECJ0EC1H330J	C 330PF, K, 50V	2	
C8340	ECJ0EB1C682K	C 6800UF, K, 16V	1	
C8341	ECJ0EB1C822K	C 8200UF, K, 16V	1	
C8342,43	ECGRLOG680ER	C 68PF, J, 4V	2	
C8344	ECJ1VB1H332K	C 3300PF, K, 50V	1	
C8345	ECJ0EB1C153K	C 0.015UF, K, 16V	1	
C8349	ECJ0EB1A104K	C 0.1UF, K, 10V	1	
C8350,51	ECJ0EF1C104Z	C 0.10UF, Z, 16V	2	
C8361	EEHBC1470P	C 47PF, J, 16V	1	
C8372	ECJ0EB1A104K	C 0.1UF, K, 10V	1	
C8376	ECJ0EB1A104K	C 0.1UF, K, 10V	1	
C8397	ECJ0EB1A104K	C 0.1UF, K, 10V	1	
C8401	ECJ0EB1C103K	C0.010UF, K, 16V	1	
C8403,04	ECJ0EF1C104Z	C 0.10UF, Z, 16V	2	
C8406	ECJ0EF1C104Z	C 0.10UF, Z, 16V	1	
C8409	ECJ0EF1C104Z	C 0.10UF, Z, 16V	1	
C8410	ECJ0EB1A104K	C 0.1UF, K, 10V	1	
C8413,14	ECJ0EF1C104Z	C 0.10UF, Z, 16V	2	
C8416,17	ECJ0EF1C104Z	C 0.10UF, Z, 16V	2	
C8419	ECJ0EF1C104Z	C 0.10UF, Z, 16V	1	
C8421	ECJ0EB1C103K	C0.010UF, K, 16V	1	
C8423	ECJ0EB1A104K	C 0.1UF, K, 10V	1	

Ref. No.	Part No.	Part Name & Description	Pcs	Remarks
C8424	ECJ0EF1C104Z	C 0.10UF, Z, 16V	1	
C8425	ECJ0EB1A104K	C 0.1UF, K, 10V	1	
C8427	F2G1A101A019	E 100UF, 10V	1	
C8428	ECJ0EF1C104Z	C 0.10UF, Z, 16V	1	
C8430-32	ECJ0EF1C104Z	C 0.10UF, Z, 16V	3	
C8433,34	ECJ0EB1C103K	C0.010UF, K, 16V	2	
C8467	ECJ0EB1C103K	C0.010UF, K, 16V	1	
C8501,02	ECJ0EC1H180J	C 180PF, K, 50V	2	
C8504	ECJ1VF1A105Z	C 1UF, Z, 10V	1	
C8506	ECJ2VF1C105Z	C 1UF, Z, 16V	1	
C8507	ECJ1XC1H102J	C 1000PF, J, 50V	1	
C8508	ECJ1XF1C334Z	C 0.33UF, Z, 16V	1	
C8509	EEEHBOJ101P	C 100PF, J, 6.3V	1	
C8701	ECJ0EF1C104Z	C 0.10UF, Z, 16V	1	
C8870	ECJ1XC1H471J	C 470PF, J, 50V	1	
C8872	ECJ2FB0J225K	C 2.2UF, Z, 16V	1	
C8910	ECJ0EB1C103K	C0.010UF, K, 16V	1	
C9028,29	FLJ0J1060004	C 0.010UF, K, 16V	2	
C9033,34	ECJ1XF1C104Z	C 0.1UF, Z, 16V	2	
C9035,36	FLJ0J1060004	C 0.010UF, K, 16V	2	
C9037	ECJ1VB1H103K	C 0.001UF, K, 50V	1	
C9039	FLJ0J1060004	C 0.010UF, K, 16V	1	
C9040	ECJ1XF1C104Z	C 0.1UF, Z, 16V	1	
C9044-53	ECJ1XF1C104Z	C 0.1UF, Z, 16V	10	
C9055-57	ECJ1XF1C104Z	C 0.1UF, Z, 16V	3	
C9058	FLJ0J1060004	C 0.010UF, K, 16V	1	
C9467,68	ECJ1VF1H103Z	C 0.010UF, Z, 50V	2	
C9469	ECJ1XF1C104Z	C 0.1UF, Z, 16V	1	
C9500-06	ECJ1XB1C104K	C 0.1UF, Z, 16V	7	
C9508	ECJ1XB1C104K	C 0.1UF, Z, 16V	1	
C9509	ECJ1VC1H200J	C 20PF, C, 50V	1	
C9510	ECJ1XC1H150J	C 15PF, J, 50V	1	
C9511	FLJ0J1060004	C 0.010UF, K, 16V	1	
C9512	ECJ1XF1C104Z	C 0.1UF, Z, 16V	1	
C9514,15	ECJ2VF1C105Z	C 1UF, Z, 16V	2	
C9516-25	ECJ1XB1C104K	C 0.1UF, Z, 16V	10	
C9526	FLJ0J1060004	C 0.010UF, K, 16V	1	
C9527-30	ECJ1XB1C104K	C 0.1UF, Z, 16V	4	
C9531	FLJ0J1060004	C 0.010UF, K, 16V	1	
C9800	ECJ1XB1C104K	C 0.1UF, Z, 16V	1	
C9801	ECJ1VB1H472K	C 4700PF, K, 50V	1	
C9802	ECJ1XC1H470J	C 47PF, J, 50V	1	
C9803	ECJ1VB1H472K	C 4700PF, K, 50V	1	
C9804	ECJ1XB1C104K	C 0.1UF, Z, 16V	1	
C9805	ECJ1VB0J475K	C 4.7UF, K, 6.3V	1	
C9806	ECGRL0G680ER	C 68PF, J, 4V	1	
C9807,08	ECJ3YB1E106M	C 10 UF, K, 25V	2	
C9809	ECJ1XB1C104K	C 0.1UF, Z, 16V	1	
C9815,16	ECGRL0G680ER	C 68PF, J, 4V	2	
C9817,18	ECJ3YB1E106M	C 10 UF, K, 25V	2	
C9822	FLJ0J1060004	C 0.010UF, K, 16V	1	
C9823,24	ECJ3YB1E106M	C 10 UF, K, 25V	2	
C9825	ECJ1XC1H101K	C 100PF, K, 50V	1	
C9826	ECJ1XF1C104Z	C 0.1UF, Z, 16V	1	
C9827	FLJ0J1060004	C 0.010UF, K, 16V	1	
C9830-32	ECJ3XB1C106M	C 1.0UF, K, 16V	3	
C9833	ECJ3YB1E106M	C 10 UF, K, 25V	1	
C9837	ECJ3XB1C106M	C 1.0UF, K, 16V	1	

Ref. No.	Part No.	Part Name & Description	Pcs	Remarks
C9838	ECJ1XF1C104Z	C 0.1UF, Z, 16V	1	
C9839	ECJ3YB1E106M	C 10 UF, K, 25V	1	
C9840	ECJ1XF1C104Z	C 0.1UF, Z, 16V	1	
C9841,42	ECJ2VF1C105Z	C 1UF, Z, 16V	2	
C9843	ECJ1XF1C104Z	C 0.1UF, Z, 16V	1	
C9844	ECJ1VF1H103Z	C 0.010UF, Z, 50V	1	
C9845,46	ECJ1XF1C104Z	C 0.1UF, Z, 16V	2	
C9847,48	ECJ1VB1E104K	C 0.10UF, K, 25V	2	
C9880,81	ECJ1XB1H102K	C 1000UF, Z, 50V	2	
C9882	ECJ1XB1C104K	C 0.1UF, Z, 16V	1	
C9883	ECJ1VB1H822K	C 8200PF, K, 50V	1	
C9884	ECJ1VC1H100C	C 10PF, C, 50V	1	
C9885	ECJ1XB1H102K	C 1000UF, Z, 50V	1	
C9886	ECJ1XB1C104K	C 0.1UF, Z, 16V	1	
C9887	ECJ1VB0J475K	C 4.7UF, K, 6.3V	1	
C9891	ECJ1XB1C104K	C 0.1UF, Z, 16V	1	
C9896	ECJ1XB1C104K	C 0.1UF, Z, 16V	1	
C9897	ECJ1VB1H822K	C 8200PF, K, 50V	1	
C9898	ECJ1VC1H100C	C 10PF, C, 50V	1	
C9899	ECJ1XB1H102K	C 1000UF, Z, 50V	1	
C9900-51	ECJ1XB1C104K	C 0.1UF, Z, 16V	52	
C9952-54	EEFCD0G560ER	56UF,	3	
C9955-59	ECJ1XB1C104K	C 0.1UF, Z, 16V	5	
C9960-64	ECJ3XB0J106M	C 10UF, M,6.3V	5	
C9965	EEFCD0G560ER	56UF,	1	
C9966	ECJ1XB1C104K	C 0.1UF, Z, 16V	1	
C9967	ECJ1VB0J475K	C 4.7UF, K, 6.3V	1	
C9971	ECJ1XB1C104K	C 0.1UF, Z, 16V	1	
CB1-B8	K1MN68BA0002	68P CONNECTOR	8	
D3	K1KY40B00003	40P CONNECTOR	1	
D5	K1KB31BA00064	31P CONNECTOR	1	
D6	K1KA21A00011	21P CONNECTOR	1	
D20	K1KA20BA0296	20P CONNECTOR	1	
D25	K1KA20B00155	20P CONNECTOR	1	
D31,32	K1MN55BA0094	55P CONNECTOR	2	
D1106,07	MA729	DIODE	2	
D1117	MA3036L	ZENER DIODE	1	
D1119	MA704A	DIODE	1	
D1121	MA729	DIODE	1	
D2011-14	MA111	DIODE	4	
D2119	BOBC01100001	ZENER DIODE	1	
D2300,01	MA111	DIODE	2	
D2303,04	MA111	DIODE	2	
D2309	MA111	DIODE	1	
D2510,11	MA8056-M	ZENER DIODE	2	
D2512	MA8043LTX	ZENER DIODE	1	
D2520B	LN1271RALTR	LED	1	
D2524	MA8056-M	ZENER DIODE	1	
D2525B	LN1471YTR	LED	1	
D2526	MA8056-M	ZENER DIODE	1	
D3002-12	MA8140M	ZENER DIODE	11	
D3015,16	MA8140M	ZENER DIODE	2	
D3021-23	MA111	DIODE	3	
D3024	BOBC01100001	ZENER DIODE	1	
D3025	MA8140M	ZENER DIODE	1	
D3027,28	MA8140M	ZENER DIODE	2	

Ref. No.	Part No.	Part Name & Description	Pcs	Remarks
D3030-32	MA8140M	ZENER DIODE	3	
D3038-43	MA8140M	ZENER DIODE	6	
D3044	MA111	DIODE	1	
D3100	MA8140M	ZENER DIODE	1	
D3334-39	MA111	DIODE	6	
D3702	MA8140M	ZENER DIODE	1	
D4019-38	EZJZ0V80008B	VARISTOR	20	
D4041	EZJZ0V80008B	VARISTOR	1	
D4044,45	EZJZ0V80008B	VARISTOR	2	
D4047,48	MA3056M	ZENER DIODE	2	
D4049-52	BOHCMM000014	DIODE	4	
D5606	BOBC01100001	ZENER DIODE	1	
D5607	BOBC6R600005	ZENER DIODE	1	
D5610	BOBC4R700007	ZENER DIODE	1	(PA)
D5610	MA3X78900L	ZENER DIODE	1	(H)
D5612	BOBC3R700006	ZENER DIODE	1	
D5618	BOBC03900015	ZENER DIODE	1	
D5634	MA111	DIODE	1	
D5635	MA3047H	ZENER DIODE	1	
D5637,38	MA152	DIODE	2	
D5639	MA3047H	ZENER DIODE	1	
D5640	MA3039H	ZENER DIODE	1	
D5641	MA152	DIODE	1	
D5642	MA3120M	ZENER DIODE	1	
D5643	MA152	DIODE	1	
D5644	MA3068M	ZENER DIODE	1	
D5646,47	MA152	DIODE	2	
D5649	MA111	DIODE	1	
D5801	BOJCME000037	DIODE	1	
D5804	MA3120M	ZENER DIODE	1	
D5805,06	MA152	DIODE	2	
D5807	MA111	DIODE	1	
D6001	BOHBSN000008	DIODE	1	
D6021	BOHBSN000008	DIODE	1	
D6032	MA111	DIODE	1	
D6041	BOEHP000003	DIODE	1	
D6051	BOEHP000003	DIODE	1	
D6061,62	BOHBSN000008	DIODE	2	
D6071,72	BOHBSN000008	DIODE	2	
D6081,82	BOHBSN000008	DIODE	2	
D6091	BOHBSN000008	DIODE	1	
D6092	BOEHP000003	DIODE	1	
D6101-04	BOJCME000037	DIODE	4	
D6131,32	BOEHP000003	DIODE	2	
D6151-54	BOEHP000003	DIODE	4	
D6191-93	BOEHP000003	DIODE	3	
D6211	BOJCME000037	DIODE	1	
D6221	BOEHP000003	DIODE	1	
D6222,23	MA111	DIODE	2	
D6251,52	MA8330M	ZENER DIODE	2	
D6253	LNJ301MPUJA	LED	1	
D6254	MA8051L	ZENER DIODE	1	
D6255	MA111	DIODE	1	
D6401	BOHBSN000008	DIODE	1	
D6431,32	BOHBSN000019	DIODE	2	
D6441	BOEHP000003	DIODE	1	
D6451	BOEHP000003	DIODE	1	

Ref. No.	Part No.	Part Name & Description	Pcs	Remarks
D6461,62	BOHBSN000008	DIODE	2	
D6466	MA111	DIODE	1	
D6471	BOHBSN000008	DIODE	1	
D6472	BOEHP000003	DIODE	1	
D6477	MA111	DIODE	1	
D6478	BOHCKS000002	DIODE	1	
D6480	MA111	DIODE	1	
D6481,82	BOHBSN000008	DIODE	2	
D6491	BOHBSN000019	DIODE	1	
D6497	MA111	DIODE	1	
D6501,02	BOEHP000003	DIODE	2	
D6521-24	BOEHP000003	DIODE	4	
D6581,82	MA8330M	ZENER DIODE	2	
D6583	LNJ301MPUJA	LED	1	
D6584	MA8051L	ZENER DIODE	1	
D6585	MA111	DIODE	1	
D6601	MA8240M	ZENER DIODE	1	
D6602	BOEHP000003	DIODE	1	
D6603	MA8240M	ZENER DIODE	1	
D6604	MA111	DIODE	1	
D6605	MA8051L	ZENER DIODE	1	
D6606	BOHCMM000014	DIODE	1	
D6607	MA111	DIODE	1	
D6610	MAZ81500ML	ZENER DIODE	1	
D6611-14	MA111	DIODE	4	
D6619,20	BOHCKS000002	DIODE	2	
D6621	BOHDSM000005	DIODE	1	
D6623,24	BOHDSM000005	DIODE	2	
D6641,42	BOHCKS000002	DIODE	2	
D6643	MA111	DIODE	1	
D6644	BOHCKS000002	DIODE	1	
D6661	MA111	DIODE	1	
D6662-64	MA8330M	ZENER DIODE	3	
D6665	MA8051L	ZENER DIODE	1	
D6666,67	MA111	DIODE	2	
D6671	MA111	DIODE	1	
D6682	BOHCMM000014	DIODE	1	
D6683,84	MA111	DIODE	2	
D6686,87	MA111	DIODE	2	
D6701,02	MA8056H	ZENER DIODE	2	
D6721	BOHCKS000002	DIODE	1	
D6723,24	BOJCME000037	DIODE	2	
D6725	BOEHP000003	DIODE	1	
D6726-33	MA8056H	ZENER DIODE	8	
D6734	MA111	DIODE	1	
D6752	BOJCME000037	DIODE	1	
D6758	BOEHP000003	DIODE	1	
D6760,61	MA111	DIODE	2	
D6771	BOJCME000037	DIODE	1	
D6773	BOHCKS000002	DIODE	1	
D6791	MA8200M	ZENER DIODE	1	
D6801,02	BOJCME000037	DIODE	2	
D6803	MA111	DIODE	1	
D6804	BOEHP000003	DIODE	1	
D6805	MA111	DIODE	1	
D6806	BOEHP000003	DIODE	1	
D6820-23	MA111	DIODE	4	
D6825	MA8330M	ZENER DIODE	1	

Ref. No.	Part No.	Part Name & Description	Pcs	Remarks
D6826	MA111	DIODE	1	
D6841	B0ECHP000003	DIODE	1	
D6842,43	MA111	DIODE	2	
D6859	B0ECHP000003	DIODE	1	
D6860	B0HCKS000002	DIODE	1	
D6861	MA8051L	ZENER DIODE	1	
D6862	MA111	DIODE	1	
D6871	MA8051L	ZENER DIODE	1	
D6872	MA111	DIODE	1	
D6901,02	MA8056H	ZENER DIODE	2	
D6903,04	B0ECHP000003	DIODE	2	
D6951,52	MA8056H	ZENER DIODE	2	
D6953,54	B0ECHP000003	DIODE	2	
D8002	MA728	DIODE	1	
D8203,04	B0JCPE000004	DIODE	2	
D8501	B0CCAB000039	DIODE	1	
D9017-19	MA3033	ZENER DIODE	3	
D9020	MA728	DIODE	1	
D9100-03	B0JCGD000002	DIODE	4	
D9105,06	B0JCGD000002	DIODE	2	
D9110	B0JCGD000002	DIODE	1	
D9300,01	MA152K	DIODE	2	
D9800	B0JCME000037	DIODE	1	
D9801	B0JCDD000002	DIODE	1	
D9802	MA728	DIODE	1	
D9804	MA152K	DIODE	1	
D9807,08	MA152K	DIODE	2	
D9811	MA728	DIODE	1	
D9812	B0JCME000037	DIODE	1	
D9813	B0JCDD000002	DIODE	1	
D9814	B0JCME000037	DIODE	1	
D9815	B0JCDD000002	DIODE	1	
DG1	K1KY80A00011	80P CONNECTOR	1	
DG2	K1KA15B00074	15P CONNECTOR	1	
DG3	K1KY40B00003	40P CONNECTOR	1	
DG5	K1KB21BA0063	21P CONNECTOR	1	
DG7	K1KA20B00155	20P CONNECTOR	1	
DG8, G9	K1FY119D0001	CONNECTOR	2	
DG15	K1KY40B00003	40P CONNECTOR	1	
DG20	K1MN40B00045	40P CONNECTOR	1	
DG22	K1KBB0A00009	CONNECTOR	1	
DG35	K1KA07BA0047	7P CONNECTOR	1	
FL3301,02	J0HABB000003	LC FILTER	2	
FL3303-05	J0HABB000004	LC FILTER	3	
FL4010,11	J0HABH000012	LC FILTER	2	
FL4015	J0HABH000012	LC FILTER	1	
FL7101	J0HABH000013	LC FILTER	1	
FL7201	J0HABH000013	LC FILTER	1	
FL9300,01	F1J1E1040022	LC FILTER	2	
FL9800,01	J0HABH000013	LC FILTER	2	
FL9803,04	J0HABH000012	LC FILTER	2	
FL9805-07	J0HABH000013	LC FILTER	3	
FL9900-02	F1J1E1040022	LC FILTER	3	
FL9903,04	J0HABH000013	LC FILTER	2	

Ref. No.	Part No.	Part Name & Description	Pcs	Remarks
G1	K1KA12A00317	12P CONNECTOR	1	
G3	K1KA03BA0047	3P CONNECTOR	1	
G51	K1KA30AA0009	30P CONNECTOR	1	
GK3	K1KA03BA0061	3P CONNECTOR	1	
H1	K1KY80A00011	80P CONNECTOR	1	
H2	K1KA15A00148	15P CONNECTOR	1	
H5	K1KA15AA0288	15P CONNECTOR	1	
H6	K1KA09A00230	9P CONNECTOR	1	
H15	K1KA04AA0150	4P CONNECTOR	1	
H40	K1KA20AA0009	20P CONNECTOR	1	
H51	K1KA30AA0009	30P CONNECTOR	1	
HC01	K1KA21A00011	21P CONNECTOR	1	
HC12	K1KA09AA0190	9P CONNECTOR	1	
HC15	K1KY40B00003	40P CONNECTOR	1	
HC21	K1KA08AA0193	8P CONNECTOR	1	
HC22	K1KA11AA0194	11P CONNECTOR	1	
IC1100	C3ABPG000145	IC	1	
IC1101	TVRN998	IC	1	
IC1102	TVRN755	IC	1	PAVCCZ
IC1103	MN1038B20RGL	IC	1	
IC1105-07	C0JBAS000128	IC	3	
IC1110	C0CBCAD00016	IC	1	
IC1111	C0EBY0000041	IC	1	
IC2103	AN77L08M	IC	1	
IC2104	C0ABBA000168	IC	1	
IC2105	AN15862A-VT	IC	1	
IC2106	C1AB00002468	IC	1	
IC2109	C1BB00000947	IC	1	
IC2110	AN7705SP	IC	1	
IC2302	C1AB00002451	IC	1	
IC2304	C0ABBA000168	IC	1	
IC2306	C0ABBA000168	IC	1	
IC2511	B3L000000020	IC	1	
IC3005	AN15867A-VT	IC	1	
IC3301	C0JBAZ002205	IC	1	
IC4013	C0CBCBF00009	IC	1	
IC4016	C0CBCAC00275	IC	1	
IC4018	C0CBCAC00275	IC	1	
IC4019	C1AB00002456	IC	1	
IC4022	TVRN916	IC	1	
IC4023	TVRN917	IC	1	
IC4025	C0FBBK000038	IC	1	
IC4026	C1AB00002535	IC	1	
IC4027	C0DBFFD00003	IC	1	
IC4028	C0ABBB000230	IC	1	
IC4029	C0CBCAC00282	IC	1	
IC4030	C0CBCBC00190	IC	1	
IC4032	C0DBGYY00052	IC	1	
IC4035	C0CBCAF00031	IC	1	
IC4036	C0JBAP000020	IC	1	
IC4037	MN84522-A	IC	1	
IC4038	C3ABQJ000048	IC	1	
IC5601	N0BG2DE00001	IC	1	
IC5602	EHMDD9851	LINEAR IC	1	
IC5603	C0DBAJB00004	IC	1	
IC5604	C0DBZGC00067	IC	1	
IC5801	C0DBAZF00003	IC	1	
IC6131	C0ZBZ0000895	IC	1	
IC6151	C0ZBZ0001324	IC	1	
IC6191	C0ZBZ0000895	IC	1	
IC6211	C0ZBZ0001325	IC	1	
IC6221	C0DBEMB00005	IC	1	
IC6241	C0JBAZ000005	IC	1	
IC6251	NJM2903M	INTEGRATED CIRCUIT	1	
IC6471	C0DBEKA00003	IC	1	
IC6472	C0JBAA000377	IC	1	
IC6501	C0ZBZ0000895	IC	1	
IC6521	C0ZBZ0001324	IC	1	

Ref. No.	Part No.	Part Name & Description	Pcs	Remarks
IC6561, 62	C0JBAZ000005	IC	2	
IC6581	NJM2903M	INTEGRATED CIRCUIT	1	
IC6601	COZBZ0001325	IC	1	
IC6602	C0JBAB000715	IC	1	
IC6610	NJM2903M	INTEGRATED CIRCUIT	1	
IC6671	COZBZ0001325	IC	1	
IC6681	COZBZ0001325	IC	1	
IC6682	C0JBAA000377	IC	1	
IC6721, 22	C0JBAZ000994	IC	2	
IC6724, 25	C0CBADC00089	IC	2	
IC6751	C0CBADC00089	IC	1	
IC6752	COZBZ0001325	IC	1	
IC6753	C0JBAB000715	IC	1	
IC6771	C0CBADC00089	IC	1	
IC6772	COZBZ0001325	IC	1	
IC6773, 74	C0JBAA000377	IC	2	
IC6791	N0BF1FB00001	IC	1	
IC6801, 02	C0DBEMB00005	IC	2	
IC6821	C0DBEMB00005	IC	1	
IC6841	C0DBEMB00005	IC	1	
IC6861	NJM2903M	INTEGRATED CIRCUIT	1	
IC6871	NJM2903M	INTEGRATED CIRCUIT	1	
IC6901-06	AN16072A-VT	IC	6	
IC6951-56	AN16072A-VT	IC	6	
IC7101-05	C0JBAZ001120	IC	5	
IC7201-05	C0JBAZ001120	IC	5	
IC8003	STV0360CT	IC	1	PAVCCZ
IC8009	C3ABQ000095	IC	1	PAVCCZ
IC8013	MN2WS0025BEA	IC	1	PAVCCZ
IC8019	TVRN790	IC	1	PAVCCZ
IC8023, 24	C0DBAMH00018	IC	2	
IC8029	C0FBBK000038	IC	1	
IC8031	BA15218FDX	IC	1	
IC8034	C0DBEHG00006	IC	1	PAVCCZ
IC8042	C0EBM0000026	IC	1	
IC8213	C0JBAZ001137	IC	1	
IC8402	74LVC4245AD	IC	1	PAVCCZ
IC8404	C0JBAZ002691	IC	1	PAVCCZ
IC8405	COZBZ0001333	IC	1	PAVCCZ
IC8408-11	C0JBAZ002691	IC	4	PAVCCZ
IC8412	C0JBAZ001137	IC	1	
IC8501	74VHC04MXNL	IC	1	PAVCCZ
IC8864	C0DBFFD00003	IC	1	
IC9001	TVRN807	IC	1	
IC9002	COZBZ0001330	IC	1	
IC9003	TVRN805	IC	1	
IC9007	TVRN813	IC	1	
IC9011	C0EBF0000431	IC	1	
IC9200	C1ZBZ0003185	IC	1	
IC9303	TVRN818	IC	1	PAVCCZ
IC9500	C1ZBZ0002599	IC	1	
IC9502	PST9128NR	IC (LOGIC)	1	
IC9503, 04	C0JBAZ001120	IC	2	
IC9800	C0DBAYY00054	IC	1	
IC9801	C0DBZFG00066	IC	1	
IC9802, 03	C0JBAZ001120	IC	2	
IC9806	C0DBAHD00011	IC	1	
IC9807	C0DBAYY00054	IC	1	
IC9809	C0DBAYY00054	IC	1	
IC9900	MN84521-A	IC	1	
IC9901	C3ABQ000051	IC	1	

Ref. No.	Part No.	Part Name & Description	Pcs	Remarks
JK2002, 03	K4BK03A00002	AV TERMINAL	2	
JK3001	K1FB315AA001	CONNECTOR	1	
JK3002-04	K1FB121A0010	CONNECTOR	3	PAVCCZ
JK3005	K2HA307A0007	JACK	1	PAVCCZ
JK3701	K4AK23B00001	TERMINAL BOARD	1	PAVCCZ
JK8401	K1NA68B00042	68P CONNECTOR	1	PAVCCZ
JK8701	K1NA09D00004	9P CONNECTOR	1	
JS002	ERJ3GEY0R00	M 0 OHM, 1/16W	1	
JS012	ERJ3GEY0R00	M 0 OHM, 1/16W	1	
JS1100-02	ERJ2GE0R00	M 0.0 OHM, J,0.063W	3	
JS1109	ERJ2GE0R00	M 0.0 OHM, J,0.063W	1	
JS1117	ERJ2GE0R00	M 0.0 OHM, J,0.063W	1	
JS2021, 22	ERJ3GEY0R00	M 0 OHM, 1/16W	2	
JS2026	ERJ3GEY0R00	M 0 OHM, 1/16W	1	
JS2031-33	ERJ3GEY0R00	M 0 OHM, 1/16W	3	
JS2108, 09	ERJ3GEY0R00	M 0 OHM, 1/16W	2	
JS2123, 24	ERJ3GEY0R00	M 0 OHM, 1/16W	2	
JS2300-03	ERJ6GEY0R00	M 0 OHM, 1/10W	4	
JS2319	ERJ6GEY0R00	M 0 OHM, 1/10W	1	
JS2331	ERJ6GEY0R00	M 0 OHM, 1/10W	1	
JS3000	ERJ3GEY0R00	M 0 OHM, 1/16W	1	
JS3005	ERJ6GEY0R00	M 0 OHM, 1/10W	1	
JS3007-20	ERJ6GEY0R00	M 0 OHM, 1/10W	14	
JS3023	ERJ3GEY0R00	M 0 OHM, 1/16W	1	
JS3037-39	ERJ3GEY0R00	M 0 OHM, 1/16W	3	
JS3201	ERJ3GEY0R00	M 0 OHM, 1/16W	1	
JS3206	ERJ3GEY0R00	M 0 OHM, 1/16W	1	
JS3215	ERJ6GEY0R00	M 0 OHM, 1/10W	1	
JS3230	ERJ3GEY0R00	M 0 OHM, 1/16W	1	
JS3237	ERJ3GEY0R00	M 0 OHM, 1/16W	1	
JS3239	ERJ3GEY0R00	M 0 OHM, 1/16W	1	
JS3252	ERJ6GEY0R00	M 0 OHM, 1/10W	1	
JS3255	ERJ6GEY0R00	M 0 OHM, 1/10W	1	
JS3256, 57	ERJ3GEY0R00	M 0 OHM, 1/16W	2	
JS3302-04	ERJ3GEY0R00	M 0 OHM, 1/16W	3	
JS3307-12	ERJ3GEY0R00	M 0 OHM, 1/16W	6	
JS3352	J0JCC0000241	CHIP INDUCTOR	1	
JS3354-59	J0JCC0000241	CHIP INDUCTOR	6	
JS3362, 63	ERJ3GEY0R00	M 0 OHM, 1/16W	2	
JS3402, 03	ERJ3GEY0R00	M 0 OHM, 1/16W	2	
JS3404, 05	ERJ6GEY0R00	M 0 OHM, 1/10W	2	
JS3704, 05	ERJ6GEY0R00	M 0 OHM, 1/10W	2	
JS3707, 08	ERJ6GEY0R00	M 0 OHM, 1/10W	2	
JS3711-14	ERJ6GEY0R00	M 0 OHM, 1/10W	4	
JS3715	ERJ3GEY0R00	M 0 OHM, 1/16W	1	
JS4016, 17	ERJ2GE0R00	M 0.0 OHM, J,0.063W	2	
JS4022-24	ERJ2GE0R00	M 0.0 OHM, J,0.063W	3	
JS4025, 26	ERJ2GEJ101	M 100 OHM, J,0.063W	2	
JS4027, 28	ERJ2GE0R00	M 0.0 OHM, J,0.063W	2	
JS4029	ERJ2GEJ221	M 220 OHM, J,0.063W	1	

Ref. No.	Part No.	Part Name & Description	Pcs	Remarks
JS4033-40	ERJ2GE0R00	M 0.0 OHM, J,0.063W	8	
JS4042,43	ERJ2GE0R00	M 0.0 OHM, J,0.063W	2	
JS4047,48	ERJ2GE0R00	M 0.0 OHM, J,0.063W	2	
JS4069	ERJ2GEJ221	M 220 OHM, J,0.063W	1	
JS4075	ERJ2GE0R00	M 0.0 OHM, J,0.063W	1	
JS4077	ERJ2GE0R00	M 0.0 OHM, J,0.063W	1	
JS4079	ERJ2GE0R00	M 0.0 OHM, J,0.063W	1	
JS4097	ERJ2GE0R00	M 0.0 OHM, J,0.063W	1	
JS4104	ERJ2GE0R00	M 0.0 OHM, J,0.063W	1	
JS4111	ERJ3GEY0R00	M 0 OHM, 1/16W	1	
JS5601	ERJ3GEY0R00	M 0 OHM, 1/16W	1	
K1	K1KY12B00001	12P CONNECTOR	1	
L008	J0JCC0000241	CHIP INDUCTOR	1	
L012	J0JCC0000241	CHIP INDUCTOR	1	
L017	J0JCC0000241	CHIP INDUCTOR	1	
L018	J0JGC0000021	CHIP INDUCTOR COIL	1	
L019	J0JCC0000241	CHIP INDUCTOR	1	
L020	J0JGC0000021	CHIP INDUCTOR COIL	1	
L021	ERJ3GEY0R00	M 0 OHM, 1/16W	1	
L1101-04	J0JHC0000078	CHIP INDUCTOR	4	
L1109	J0JHC0000078	CHIP INDUCTOR	1	
L2001,02	J0JCC0000364	CHIP INDUCTOR	2	
L2003-16	TSK1032	BEAD CHOKE	14	
L2107	TSK1032	BEAD CHOKE	1	
L2108	J0JCC0000241	CHIP INDUCTOR	1	
L2109,10	TSK1032	BEAD CHOKE	2	
L2111,12	J0JCC0000241	CHIP INDUCTOR	2	
L2115	J0JCC0000241	CHIP INDUCTOR	1	
L2117	ELESE6R8KA	PEAKING COIL	1	
L2118	EXCELDR35C	BEAD CHOKE	1	
L2123	J0JCC0000241	CHIP INDUCTOR	1	
L2178,79	J0JCC0000241	CHIP INDUCTOR	2	
L2182-87	J0JCC0000241	CHIP INDUCTOR	6	
L2204	ERJ3GEY0R00	M 0 OHM, 1/16W	1	
L2205,06	J0JCC0000241	CHIP INDUCTOR	2	
L2300-03	G0C330MA0049	PEAKING COIL	4	
L2308	TALL08N3R9MA	INDUCTION COIL	1	
L3000	G0C101K00023	PEAKING COIL	1	
L3001-03	TSK1032	BEAD CHOKE	3	
L3009	TSK1032	BEAD CHOKE	1	
L3026	TSK1032	BEAD CHOKE	1	
L3202	J0JCC0000241	CHIP INDUCTOR	1	
L3205	J0JCC0000241	CHIP INDUCTOR	1	
L3700,01	J0JCC0000364	CHIP INDUCTOR	2	
L3707,08	TSK1032	BEAD CHOKE	2	
L4023	J0JHC0000078	CHIP INDUCTOR	1	
L4029	J0JHC0000078	CHIP INDUCTOR	1	
L4031	J0JHC0000078	CHIP INDUCTOR	1	
L4038	J0JHC0000078	CHIP INDUCTOR	1	
L4040-46	J0JHC0000078	CHIP INDUCTOR	7	
L4048	J0JHC0000078	CHIP INDUCTOR	1	
L4049	J0JBC0000080	CHIP INDUCTOR	1	

Ref. No.	Part No.	Part Name & Description	Pcs	Remarks
L4050,51	J0JHC0000078	CHIP INDUCTOR	2	
L4052	J0JCC0000077	CHIP INDUCTOR	1	
L4053-55	J0JHC0000078	CHIP INDUCTOR	3	
L4056,57	J0JCC0000077	CHIP INDUCTOR	2	
L4060,61	J0JCC0000077	CHIP INDUCTOR	2	
L4065,66	J0JHC0000078	CHIP INDUCTOR	2	
L4068-70	J0JHC0000078	CHIP INDUCTOR	3	
L4071	J0JBC0000080	CHIP INDUCTOR	1	
L4073	J0JHC0000078	CHIP INDUCTOR	1	
L4075,76	J0JHC0000078	CHIP INDUCTOR	2	
L4077	J0JCC0000077	CHIP INDUCTOR	1	
L4078	J0JHC0000078	CHIP INDUCTOR	1	
L5602	TALL08N2R7MA	INDUCTION COIL	1	
L5604	TALL08N2R7MA	INDUCTION COIL	1	
L5605	G0A2R7ZA0021	CHOKE COIL	1	
L5606,07	G0A220GA0002	CHOKE COIL	2	
L5608	G1C100MA0072	INDUCTION COIL	1	
L5609	G0A220GA0002	CHOKE COIL	1	
L5610	G1C470MA0077	INDUCTION COIL	1	
L5612	TALL08N2R7MA	INDUCTION COIL	1	
L5615	TALL08N150KA	INDUCTION COIL	1	
L5621	G1C330MA0234	INDUCTION COIL	1	
L5622,23	G1C150MA0234	INDUCTION COIL	2	
L5624	G1C330MA0234	INDUCTION COIL	1	
L5651	G0A220GA0002	CHOKE COIL	1	
L5801	G0C101K00023	PEAKING COIL	1	
L5802	TALL08N101KA	INDUCTION COIL	1	
L6001-03	G0C2R2ZA0024	PEAKING COIL	3	PAVCCZ
L6011-13	G0C2R2KA0151	PEAKING COIL	3	PAVCCZ
L6061-68	G0ZZ00002183	PEAKING COIL	8	
L6081-88	G0ZZ00002183	PEAKING COIL	8	
L6101,02	J0JJC0000011	CHIP INDUCTOR	2	
L6103	G0ZZ00002183	PEAKING COIL	1	
L6104,05	J0JJC0000011	CHIP INDUCTOR	2	
L6211,12	J0JJC0000011	CHIP INDUCTOR	2	
L6221	G0ZZ00002183	PEAKING COIL	1	
L6241	G0ZZ00002183	PEAKING COIL	1	
L6262	G0ZZ00002183	PEAKING COIL	1	
L6271,72	G0ZZ00002183	PEAKING COIL	2	
L6401-03	G0C2R2ZA0024	PEAKING COIL	3	PAVCCZ
L6411-13	G0C2R2KA0151	PEAKING COIL	3	PAVCCZ
L6461-68	G0ZZ00002183	PEAKING COIL	8	
L6472,73	G0ZZ00002183	PEAKING COIL	2	
L6481-88	G0ZZ00002183	PEAKING COIL	8	
L6591,92	G0ZZ00002183	PEAKING COIL	2	
L6601,02	G0ZZ00002183	PEAKING COIL	2	
L6801,02	J0JJC0000011	CHIP INDUCTOR	2	
L6841	J0JJC0000011	CHIP INDUCTOR	1	
L8004	J0JHC0000045	CHIP INDUCTOR	1	
L8008	J0JHC0000045	CHIP INDUCTOR	1	
L8026	J0JHC0000035	CHIP INDUCTOR	1	
L8031-33	J0JHC0000045	CHIP INDUCTOR	3	

Ref. No.	Part No.	Part Name & Description	Pcs	Remarks
L8037	J0JCC0000078	CHIP INDUCTOR	1	
L8038	J0JHC0000045	CHIP INDUCTOR	1	
L8042	J0JHC0000045	CHIP INDUCTOR	1	
L8046	ELJPA1R0MFB	INDUCTION COIL	1	
L8047	G1C680MA0173	INDUCTION COIL	1	PAVCCZ
L8048	G1C330MA0173	INDUCTION COIL	1	PAVCCZ
L8049	J0JHC0000045	CHIP INDUCTOR	1	
L8051	J0JCC0000241	CHIP INDUCTOR	1	
L8055	G1C100MA0077	INDUCTION COIL	1	
L8059	J0JHC0000045	CHIP INDUCTOR	1	
L8106	ELJFA2R7JBB	CHIP INDUCTOR	1	PAVCCZ
L8145	J0JHC0000045	CHIP INDUCTOR	1	
L8501	ELJNA2R7JFB	CHIP INDUCTOR	1	
L9500	G1C150KA0038	INDUCTION COIL	1	
L9501,02	J0JHC0000078	CHIP INDUCTOR	2	
L9800	G1C3R0MA0248	INDUCTION COIL	1	
L9801,02	G1C2R2MA0241	INDUCTION COIL	2	
L9810	J0JHC0000045	CHIP INDUCTOR	1	
PA2	K1KA05AA0192	5P CONNECTOR	1	
PA5	K1KA11AA0194	11P CONNECTOR	1	
PA10	K1KA06A00452	6P CONNECTOR	1	
PA20	K1MN40A00024	40P CONNECTOR	1	
PA31-34	K1KA03AA0192	3P CONNECTOR	4	
PA40	K1KA20AA0009	20P CONNECTOR	1	
PA1101	K5H8012A0023	FUSE	1	
PA2100	K5H1622A0023	FUSE	1	
PA3100	K5H1622A0023	FUSE	1	
PA3104	ERJ3GEY0R00	M 0 OHM, 1/16W	1	
PA9800	K5H4022A0023	FUSE	1	
PC6480	B3PBA0000223	IC	1	
PC6701-03	B3PBA0000233	IC	3	
PC6704	B3PBA0000234	IC	1	
PC6705	B3PBA0000233	IC	1	
PC6760	B3PBA0000223	IC	1	
PC6801	B3PBA0000223	IC	1	
PC6861	B3PBA0000223	IC	1	
PC6871	B3PBA0000223	IC	1	
Q002	2SA207700L	TRANSISTOR	1	
Q1100-03	2SC584500L	TRANSISTOR	4	
Q1106-08	2SC584500L	TRANSISTOR	3	
Q1109,10	B1CBHD000002	FET	2	
Q1111	2SC584500L	TRANSISTOR	1	
Q1113-18	2SC584500L	TRANSISTOR	6	
Q1120-22	2SC584500L	TRANSISTOR	3	
Q1130	2SC584500L	TRANSISTOR	1	
Q1131	B1ABCF000138	TRANSISTOR	1	
Q1134	2SC584500L	TRANSISTOR	1	
Q1135	B1ABCF000138	TRANSISTOR	1	
Q1137-43	2SC584500L	TRANSISTOR	7	
Q2001-04	2SC584500L	TRANSISTOR	4	
Q2006,07	2SC584500L	TRANSISTOR	2	
Q2009,10	2SC584500L	TRANSISTOR	2	
Q2011	2SA207700L	TRANSISTOR	1	
Q2012	2SC584500L	TRANSISTOR	1	
Q2013	2SA207700L	TRANSISTOR	1	
Q2102-05	2SA207700L	TRANSISTOR	4	
Q2106	2SC584500L	TRANSISTOR	1	
Q2108	2SC584500L	TRANSISTOR	1	
Q2113,14	2SC584500L	TRANSISTOR	2	

Ref. No.	Part No.	Part Name & Description	Pcs	Remarks
Q2300	2SA207700L	TRANSISTOR	1	(PA)
Q2300	2SC584500L	TRANSISTOR	1	(H)
Q2301	2SD601A	TRANSISTOR	1	(H)
Q2301	2SD601A	TRANSISTOR	1	(PA)
Q2302	2SC584500L	TRANSISTOR	1	
Q2303	2SD601A	TRANSISTOR	1	
Q2306,07	2SA207700L	TRANSISTOR	2	
Q2314-17	2SC584500L	TRANSISTOR	4	
Q2510,11	2SD601A	TRANSISTOR	2	
Q2518	2SD601A	TRANSISTOR	1	
Q3001	2SC584500L	TRANSISTOR	1	
Q3005	2SC584500L	TRANSISTOR	1	
Q3008	2SA207700L	TRANSISTOR	1	
Q3011	2SA207700L	TRANSISTOR	1	
Q3014,15	2SA207700L	TRANSISTOR	2	
Q3016	2SC584500L	TRANSISTOR	1	
Q3017	2SA207700L	TRANSISTOR	1	
Q3019-22	2SC584500L	TRANSISTOR	4	
Q3024	2SC584500L	TRANSISTOR	1	
Q3027-29	2SA207700L	TRANSISTOR	3	
Q3331-33	2SC2480	TRANSISTOR	3	
Q4050	2SC584500L	TRANSISTOR	1	
Q4053	2SC584500L	TRANSISTOR	1	
Q4055-59	2SA207700L	TRANSISTOR	5	
Q4061-69	2SC584500L	TRANSISTOR	9	
Q4070,71	B1MBACA00008	TRANSISTOR	2	
Q4082,83	2SK1228	FET	2	
Q4084	B1ABCF000138	TRANSISTOR	1	
Q4918	B1ABCF000138	TRANSISTOR	1	
Q4919	2SC584500L	TRANSISTOR	1	
Q5601	B1DHDC000028	TRANSISTOR	1	
Q5602	2SD601A	TRANSISTOR	1	
Q5603	B1DHDC000028	TRANSISTOR	1	
Q5604,05	2SD601A	TRANSISTOR	2	
Q5610	2SD601A	TRANSISTOR	1	
Q5613	2SD601A	TRANSISTOR	1	
Q5614	2SK3065T100	FET	1	
Q5641-43	2SA207700L	TRANSISTOR	3	
Q5644	2SD601A	TRANSISTOR	1	
Q6001-03	BJJADN000001	TRANSISTOR	3	
Q6021-23	BJJADN000001	TRANSISTOR	3	
Q6041,42	BJJADN000002	TRANSISTOR	2	
Q6051,52	BJJADN000002	TRANSISTOR	2	
Q6101-04	B1DFKM000002	TRANSISTOR	4	
Q6105	B1ABNF000006	TRANSISTOR	1	
Q6106	B1ADNF000006	TRANSISTOR	1	
Q6111	2SK326800L	FET	1	
Q6112	B1DFKM000002	TRANSISTOR	1	
Q6114	B1DFKM000002	TRANSISTOR	1	
Q6141	B1ABNF000006	TRANSISTOR	1	
Q6142	B1ADNF000006	TRANSISTOR	1	
Q6146	B1ABNF000006	TRANSISTOR	1	
Q6147	B1ADNF000006	TRANSISTOR	1	
Q6171	2SD2185	TRANSISTOR	1	
Q6172	B1ADRD000001	TRANSISTOR	1	
Q6181	2SD2185	TRANSISTOR	1	
Q6182	B1ADRD000001	TRANSISTOR	1	
Q6221	2SD1263A	TRANSISTOR	1	

Ref. No.	Part No.	Part Name & Description	Pcs	Remarks
Q6222	2SC3063	TRANSISTOR	1	
Q6251	2SD601A	TRANSISTOR	1	
Q6401-03	B1JADN000001	TRANSISTOR	3	
Q6421-23	B1JAEP000001	TRANSISTOR	3	
Q6441,42	B1JADN000002	TRANSISTOR	2	
Q6451,52	B1JADP000002	TRANSISTOR	2	
Q6471	B1CHGD000006	TRANSISTOR	1	
Q6511	B1ABNF000006	TRANSISTOR	1	
Q6512	B1ADNF000006	TRANSISTOR	1	
Q6516	B1ABNF000006	TRANSISTOR	1	
Q6517	B1ADNF000006	TRANSISTOR	1	
Q6531	2SD2185	TRANSISTOR	1	
Q6532	B1ADDR000001	TRANSISTOR	1	
Q6551	2SD2185	TRANSISTOR	1	
Q6552	B1ADDR000001	TRANSISTOR	1	
Q6581	2SD601A	TRANSISTOR	1	
Q6601	B1DFES000003	TRANSISTOR	1	
Q6602	2SD601A	TRANSISTOR	1	
Q6621	B1DFKM000001	TRANSISTOR	1	
Q6641,42	B1DFKM000001	TRANSISTOR	2	
Q6644,45	B1DFKM000001	TRANSISTOR	2	
Q6647,48	B1DFKM000001	TRANSISTOR	2	
Q6661	B1DEET000002	TRANSISTOR	1	
Q6662	2SD601A	TRANSISTOR	1	
Q6663	2SD2185	TRANSISTOR	1	
Q6671,72	B1DFET000001	TRANSISTOR	2	
Q6680	B1ADNF000006	TRANSISTOR	1	
Q6681,82	2SK389500L	FET	2	
Q6691	2SK620	FET	1	
Q6742,43	2SD601A	TRANSISTOR	2	
Q6744	2SK620	FET	1	
Q6762	B1ADNF000006	TRANSISTOR	1	
Q6781	B1ABNF000006	TRANSISTOR	1	
Q6782	B1ADNF000006	TRANSISTOR	1	
Q6791	2SD601A	TRANSISTOR	1	
Q6801	B1BAEJ000014	TRANSISTOR	1	
Q6802	2SB0709A	TRANSISTOR	1	
Q6803	2SD814A	TRANSISTOR	1	
Q6804	2SD601A	TRANSISTOR	1	
Q6821	2SD1263A	TRANSISTOR	1	
Q6822	2SC3063	TRANSISTOR	1	
Q6824	2SD601A	TRANSISTOR	1	
Q6841	2SD1263A	TRANSISTOR	1	
Q6842	2SC1473A	TRANSISTOR	1	
Q8101	2SA207700L	TRANSISTOR	1	
Q8401,02	2SD601A	TRANSISTOR	2	
Q9010	2SD601A	TRANSISTOR	1	
Q9044	2SD601A	TRANSISTOR	1	
Q9046	2SD601A	TRANSISTOR	1	
Q9049	2SB709A	TRANSISTOR	1	
Q9050-54	2SD601A	TRANSISTOR	5	
Q9055-58	B1CBHD000002	FET	4	
Q9300-02	2SD601A	TRANSISTOR	3	
Q9800,01	B1MBEDA00015	TRANSISTOR	2	
Q9803	B1MBEDA00015	TRANSISTOR	1	
Q9805,06	2SD601A	TRANSISTOR	2	
R002	ERJ3GEYJ221	M 220 OHM,J,1/16W	1	
R005	ERJ3EKF5600	M 560 OHM, 1/16W	1	
R008,09	ERJ3GEY0R00	M 0 OHM, 1/16W	2	

Ref. No.	Part No.	Part Name & Description	Pcs	Remarks
R010	ERJ3EKF4700	M 470 OHM, 1/16W	1	
R011	ERJ6GEYJ271	M 270 OHM,J,1/10W	1	
R012,13	ERJ3GEYJ220	M 22 OHM,J,1/16W	2	
R014	ERJ3GEYJ221	M 220 OHM,J,1/16W	1	
R1101	ERJ2GEJ101	M 100 OHM, J,0.063W	1	
R1102,03	ERJ2GEJ102	M 1KOHM, J,0.063W	2	
R1105,06	ERJ2GEJ102	M 1KOHM, J,0.063W	2	
R1108-12	ERJ2GEJ101	M 100 OHM, J,0.063W	5	
R1113	ERJ2GEJ332	M 3.3KOHM, J,0.063W	1	
R1114	ERJ2GE0R00	M 0.0 OHM, J,0.063W	1	
R1116	ERJ2GEJ562	M 5.6KOHM,J,0.063W	1	
R1117	ERJ2GE0R00	M 0.0 OHM, J,0.063W	1	
R1118,19	EXB2HV680J	RESISTOR ARRAY	2	
R1121,22	ERJ2GEJ220	M 22 OHM, J,0.063W	2	
R1123	ERJ2GEJ473	M 47KOHM,J,0.063W	1	
R1124,25	ERJ2GEJ332	M 3.3KOHM, J,0.063W	2	
R1128	ERJ2GEJ103	M 10KOHM, J,0.063W	1	
R1130	ERJ2GEJ473	M 47KOHM,J,0.063W	1	
R1131,32	ERJ2GEJ101	M 100 OHM, J,0.063W	2	
R1133,34	ERJ2GEJ102	M 1KOHM, J,0.063W	2	
R1135	ERJ2GEJ103	M 10KOHM, J,0.063W	1	
R1140,41	ERJ2GEJ680	M 68 OHM, J,0.063W	2	
R1145	ERJ2GEJ101	M 100 OHM, J,0.063W	1	
R1146	ERJ2GEJ271	M 270 OHM, J,0.063W	1	
R1147,48	D1HG5608A002	NETWORK RESISTER	2	
R1149	EXB2HV680J	RESISTOR ARRAY	1	
R1150,51	ERJ2GEJ101	M 100 OHM, J,0.063W	2	
R1153	ERJ2GEJ101	M 100 OHM, J,0.063W	1	
R1154,55	ERJ2GEJ472	M 4.7KOHM, J,0.063W	2	
R1156	ERJ2GEJ104	M 100KOHM, J,0.063W	1	
R1157	ERJ2GEJ101	M 100 OHM, J,0.063W	1	
R1158	ERJ2GEJ273	M 27KOHM ,J,0.063W	1	
R1159	ERJ2GEJ123X	M 12KOHM ,J,0.063W	1	
R1164	ERJ2GEJ123X	M 12KOHM ,J,0.063W	1	
R1165	ERJ2GEJ153	M 15KOHM ,J,0.063W	1	
R1166,67	ERJ2GEJ101	M 100 OHM, J,0.063W	2	
R1168,69	ERJ2GE0R00	M 0.0 OHM, J,0.063W	2	
R1174	ERJ2GEJ101	M 100 OHM, J,0.063W	1	
R1175	ERJ2GEJ563	M 56KOHM ,J,0.063W	1	
R1176	ERJ2GEJ123X	M 12KOHM ,J,0.063W	1	
R1177-79	ERJ2GEJ101	M 100 OHM, J,0.063W	3	
R1181	ERJ2GEJ101	M 100 OHM, J,0.063W	1	
R1182	ERJ2GEJ683	M 68KOHM, J,0.063W	1	
R1183	EXB28V680JX	RESISTOR ARRAY	1	
R1184	ERJ2GE0R00	M 0.0 OHM, J,0.063W	1	
R1187	EXB2HV680J	RESISTOR ARRAY	1	
R1188,89	ERJ2GEJ103	M 10KOHM, J,0.063W	2	
R1197	ERJ2GEJ473	M 47KOHM,J,0.063W	1	
R1199	ERJ2GEJ473	M 47KOHM,J,0.063W	1	
R1200	EXB2HV680J	RESISTOR ARRAY	1	

Ref. No.	Part No.	Part Name & Description	Pcs	Remarks
R1203	ERJ2GEJ102	M 1KOHM, J,0.063W	1	
R1207	ERJ2GEJ104	M 100KOHM, J,0.063W	1	
R1212	ERJ2GE0R00	M 0.0 OHM, J,0.063W	1	
R1214	ERJ2GEJ103	M 10KOHM, J,0.063W	1	
R1215-17	ERJ2GEJ101	M 100 OHM, J,0.063W	3	
R1218	ERJ2GEJ680	M 68 OHM, J,0.063W	1	
R1220	ERJ2GEJ680	M 68 OHM, J,0.063W	1	
R1221	ERJ2GEJ332	M 3.3KOHM, J,0.063W	1	
R1222	ERJ2GEJ330	M 33 OHM, J,0.063W	1	
R1223	ERJ2GEJ102	M 1KOHM, J,0.063W	1	
R1224	ERJ2GEJ473	M 47KOHM, J,0.063W	1	
R1225,26	ERJ2GEJ220	M 22 OHM, J,0.063W	2	
R1228	ERJ2GEJ220	M 22 OHM, J,0.063W	1	
R1229	ERJ2GEJ182	M 1.8KOHM, J,0.063W	1	
R1230	ERJ2GEJ220	M 22 OHM, J,0.063W	1	
R1231	ERJ2GEJ473	M 47KOHM, J,0.063W	1	
R1232,33	ERJ2GEJ332	M 3.3KOHM, J,0.063W	2	
R1234	ERJ2GE0R00	M 0.0 OHM, J,0.063W	1	
R1235,36	ERJ2GEJ272	M 2.7KOHM, J,0.063W	2	
R1238	ERJ2GEJ473	M 47KOHM, J,0.063W	1	
R1239	ERJ3EKF1202	M 12KOHM, 1/16W	1	
R1240	ERJ2GEJ473	M 47KOHM, J,0.063W	1	
R1241	ERJ2GEJ822	M 8.2KOHM, J,0.063W	1	
R1243	ERJ2GEJ102	M 1KOHM, J,0.063W	1	
R1246	ERJ2GEJ912	M 9.1KOHM, J,0.063W	1	
R1249	ERJ2GEJ473	M 47KOHM, J,0.063W	1	
R1250	ERJ2GEJ224	M 220KOHM, J,0.063W	1	
R1251,52	EXB2HV101J	RESISTOR ARRAY	2	
R1256	ERJ2GEJ102	M 1KOHM, J,0.063W	1	
R1259	ERJ2GEJ101	M 100 OHM, J,0.063W	1	
R1263,64	ERJ2GEJ101	M 100 OHM, J,0.063W	2	
R1269	ERJ2GE0R00	M 0.0 OHM, J,0.063W	1	
R1270,71	ERJ2GEJ220	M 22 OHM, J,0.063W	2	
R1275	ERJ3EKF7151	M7.15KOHM, 1/16W	1	
R1279,80	ERJ2GEJ220	M 22 OHM, J,0.063W	2	
R1281	ERJ2GEJ102	M 1KOHM, J,0.063W	1	
R1282	ERJ2GEJ153	M 15KOHM, J,0.063W	1	
R1283	ERJ2GEJ101	M 100 OHM, J,0.063W	1	
R1284	ERJ2GEJ682	M 6.8KOHM, J,0.063W	1	
R1290	ERJ2GEJ472	M 4.7KOHM, J,0.063W	1	
R1292,93	ERJ2GEJ104	M 100KOHM, J,0.063W	2	
R1296,97	ERJ2GEJ473	M 47KOHM, J,0.063W	2	
R1303-06	ERJ2GEJ220	M 22 OHM, J,0.063W	4	
R1307	ERJ2GEJ104	M 100KOHM, J,0.063W	1	
R1308	ERJ2GEJ273	M 27KOHM, J,0.063W	1	
R1309-12	ERJ2GEJ220	M 22 OHM, J,0.063W	4	
R1313,14	ERJ2GEJ103	M 10KOHM, J,0.063W	2	
R1315	ERJ2GEJ333	M 33KOHM, J,0.063W	1	
R1316	ERJ2GEJ103	M 10KOHM, J,0.063W	1	
R1318,19	ERJ2GEJ512X	M5.12KOHM, J,0.063W	2	

Ref. No.	Part No.	Part Name & Description	Pcs	Remarks
R1321	ERJ2GEJ153	M 15KOHM, J,0.063W	1	
R1322	ERJ2GEJ100	M 10 OHM, J,0.063W	1	
R1323,24	ERJ2GEJ823	M 82KOHM, J,0.063W	2	
R1325,26	ERJ2GEJ104	M 100KOHM, J,0.063W	2	
R1327,28	ERJ2GEJ683	M 68KOHM, J,0.063W	2	
R1329,30	ERJ2GEJ473	M 47KOHM, J,0.063W	2	
R1331,32	ERJ2GEJ104	M 100KOHM, J,0.063W	2	
R1333	ERJ2GEJ101	M 100 OHM, J,0.063W	1	
R1334	ERJ2GE0R00	M 0.0 OHM, J,0.063W	1	
R1335	ERJ2GEJ101	M 100 OHM, J,0.063W	1	
R1336	ERJ2GEJ225	M 1MOHM, J,0.063W	1	
R1337	ERJ2GEJ472	M 4.7KOHM, J,0.063W	1	
R1341	ERJ2GEJ473	M 47KOHM, J,0.063W	1	
R1344	ERJ2GEJ101	M 100 OHM, J,0.063W	1	
R1346	ERJ2GEJ473	M 47KOHM, J,0.063W	1	
R1350,51	ERJ2GEJ101	M 100 OHM, J,0.063W	2	
R1352	ERJ2GEJ473	M 47KOHM, J,0.063W	1	
R1353	ERJ2GEJ223	M 22KOHM, J,0.063W	1	
R1354	ERJ2GEJ101	M 100 OHM, J,0.063W	1	
R1355	ERJ2GEJ104	M 100KOHM, J,0.063W	1	
R1358	ERJ2GEJ104	M 100KOHM, J,0.063W	1	
R1359	ERJ2GEJ224	M 220KOHM, J,0.063W	1	
R1360	ERJ2GEJ221	M 220 OHM, J,0.063W	1	
R1361	ERJ2GE0R00	M 0.0 OHM, J,0.063W	1	
R1363	ERJ2GEJ473	M 47KOHM, J,0.063W	1	
R1364	ERJ2GEJ273	M 27KOHM, J,0.063W	1	
R1365	ERJ2GE0R00	M 0.0 OHM, J,0.063W	1	
R1367	ERJ2GEJ333	M 33KOHM, J,0.063W	1	
R1368	ERJ2GEJ183	M 18KOHM, J,0.063W	1	
R1369	ERJ2GE0R00	M 0.0 OHM, J,0.063W	1	
R1370	ERJ2GEJ104	M 100KOHM, J,0.063W	1	
R1372	ERJ2GEJ473	M 47KOHM, J,0.063W	1	
R1373	ERJ2GEJ683	M 68KOHM, J,0.063W	1	
R1375	ERJ2GEJ104	M 100KOHM, J,0.063W	1	
R1376	ERJ2GEJ273	M 27KOHM, J,0.063W	1	
R1377	ERJ8GEY0R00	M 0 OHM, 1/8W	1	
R1378	ERJ3GEY0R00	M 0 OHM, 1/16W	1	
R1379	ERJ2GEJ331	M 330 OHM, J,0.063W	1	
R1380	ERJ2GEJ104	M 100KOHM, J,0.063W	1	
R1381	ERJ2GEJ474	M 470KOHM, J,0.063W	1	
R1384	ERJ2GEJ101	M 100 OHM, J,0.063W	1	
R1389	ERJ2GE0R00	M 0.0 OHM, J,0.063W	1	
R1408	ERJ2GEJ104	M 100KOHM, J,0.063W	1	
R1410	ERJ2GEJ102	M 1KOHM, J,0.063W	1	
R1411	ERJ2GEJ472	M 4.7KOHM, J,0.063W	1	
R1412,13	ERJ2GEJ104	M 100KOHM, J,0.063W	2	
R1414	ERJ2GE0R00	M 0.0 OHM, J,0.063W	1	
R1426-32	ERJ8GEY0R00	M 0 OHM, 1/8W	7	

Ref. No.	Part No.	Part Name & Description	Pcs	Remarks
R1436,37	ERJ2GEJ561	M 60 OHM, J,0.063W	2	
R1439	ERJ2GEJ271	M 270 OHM, J,0.063W	1	
R1441	ERJ2GE0R00	M 0.0 OHM, J,0.063W	1	
R1446,47	ERJ2GEJ471	M 470 OHM, J,0.063W	2	
R1448,49	ERJ2GEJ473	M 47KOHM,J,0.063W	2	
R1451	ERJ2GEJ473	M 47KOHM,J,0.063W	1	
R1454	ERJ2GE0R00	M 0.0 OHM, J,0.063W	1	
R1458,59	ERJ2GEJ101	M 100 OHM, J,0.063W	2	
R1461,62	ERJ2GE0R00	M 0.0 OHM, J,0.063W	2	
R1466	ERJ2GEJ103	M 10KOHM, J,0.063W	1	
R1467	ERJ2GEJ473	M 47KOHM,J,0.063W	1	
R1470	ERJ2GE0R00	M 0.0 OHM, J,0.063W	1	
R1472,73	ERJ2GEJ301	M 300 OHM, J,0.063W	2	
R1474	ERJ8GEY0R00	M 0 OHM, 1/8W	1	
R1475	ERJ2GEJ271	M 270 OHM, J,0.063W	1	
R1478	ERJ2GEJ680	M 68 OHM, J,0.063W	1	
R1479	ERJ2GEJ473	M 47KOHM,J,0.063W	1	
R1489	ERJ2GEJ473	M 47KOHM,J,0.063W	1	
R1491	ERJ2GE0R00	M 0.0 OHM, J,0.063W	1	
R1526	ERJ2GEJ102	M 1KOHM, J,0.063W	1	
R1530,31	ERJ2GE0R00	M 0.0 OHM, J,0.063W	2	
R1554,55	ERJ3GEY0R00	M 0 OHM, 1/16W	2	
R1556	ERJ2GEJ331	M 330 OHM, J,0.063W	1	
R2005	ERJ3GEYJ104	M 100KOHM,J,1/16W	1	
R2006-11	ERJ6GEYJ223	M 22KOHM,J,1/10W	6	
R2012	ERJ3GEYJ104	M 100KOHM,J,1/16W	1	
R2013,14	ERJ3GEYJ222	M 2.2KOHM,J,1/16W	2	
R2015,16	ERJ3GEYJ331	M 330 OHM,J,1/16W	2	
R2018,19	ERJ3GEYJ104	M 100KOHM,J,1/16W	2	
R2023	ERJ3GEYJ222	M 2.2KOHM,J,1/16W	1	
R2027,28	ERJ3GEYJ104	M 100KOHM,J,1/16W	2	
R2031	ERJ3GEYJ222	M 2.2KOHM,J,1/16W	1	
R2033	ERJ3GEYJ222	M 2.2KOHM,J,1/16W	1	
R2035,36	ERJ3GEYJ104	M 100KOHM,J,1/16W	2	
R2038	ERJ3GEYJ222	M 2.2KOHM,J,1/16W	1	
R2040	ERJ3GEYJ222	M 2.2KOHM,J,1/16W	1	
R2042	ERJ3GEYJ105	M 1MOHM,J,1/16W	1	
R2043	ERJ3GEYJ473	M 47KOHM,J,1/16W	1	
R2044	ERJ3GEYJ102	M 1KOHM,J,1/16W	1	
R2045,46	ERJ3GEYJ103	M 10KOHM,J,1/16W	2	
R2048	ERJ6GEYJ471	M 470 OHM,J,1/10W	1	
R2049,50	ERJ3GEYJ103	M 10KOHM,J,1/16W	2	
R2051,52	ERJ6GEYJ184	M 180KOHM,J,1/10W	2	
R2053	ERJ6GEYJ471	M 470 OHM,J,1/10W	1	
R2054	ERJ3GEYJ103	M 10KOHM,J,1/16W	1	
R2101,02	ERJ3GEYJ331	M 330 OHM,J,1/16W	2	
R2103	ERJ3GEYJ222	M 2.2KOHM,J,1/16W	1	
R2113,14	ERJ3GEY0R00	M 0 OHM, 1/16W	2	
R2116	J0JCC0000241	CHIP INDUCTOR	1	
R2124,25	ERJ3GEYJ101	M 100 OHM,J,1/16W	2	

Ref. No.	Part No.	Part Name & Description	Pcs	Remarks
R2126,27	ERJ3GEYJ472	M 4.7KOHM,J,1/16W	2	
R2128,29	ERJ3GEYJ101	M 100 OHM,J,1/16W	2	
R2130	ERJ3EKF1002	M 10KOHM, 1/16W	1	
R2131	ERJ3EKF8201	M 8.2KOHM, 1/16W	1	
R2132	ERJ3GEYJ333	M 33KOHM,J,1/16W	1	
R2133	ERJ3GEY0R00	M 0 OHM, 1/16W	1	
R2135,36	ERJ3GEYJ331	M 330 OHM,J,1/16W	2	
R2137	ERJ3GEYJ333	M 33KOHM,J,1/16W	1	
R2138	ERJ3EKF1002	M 10KOHM, 1/16W	1	
R2147	ERJ3EKF1002	M 10KOHM, 1/16W	1	
R2148,49	ERJ3EKF6342	M6.34KOHM, 1/16W	2	
R2152	ERJ3GEYJ220	M 22 OHM,J,1/16W	1	
R2153	ERJ3GEYJ221	M 220 OHM,J,1/16W	1	
R2154	ERJ3GEYJ220	M 22 OHM,J,1/16W	1	
R2155,56	ERJ3GEYJ221	M 220 OHM,J,1/16W	2	
R2158	ERJ3GEYJ221	M 220 OHM,J,1/16W	1	
R2160	ERJ3GEYJ221	M 220 OHM,J,1/16W	1	
R2161	ERJ3GEYJ331	M 330 OHM,J,1/16W	1	
R2162	ERJ3GEYJ221	M 220 OHM,J,1/16W	1	
R2163	ERJ3GEYJ331	M 330 OHM,J,1/16W	1	
R2164	ERJ3GEYJ221	M 220 OHM,J,1/16W	1	
R2165,66	ERJ3GEYJ102	M 1KOHM,J,1/16W	2	
R2167	ERJ3GEYJ221	M 220 OHM,J,1/16W	1	
R2168,69	ERJ3GEYJ472	M 4.7KOHM,J,1/16W	2	
R2170-77	ERJ3GEYJ221	M 220 OHM,J,1/16W	8	
R2181	ERJ3GEY0R00	M 0 OHM, 1/16W	1	
R2182,83	ERJ3GEYJ101	M 100 OHM,J,1/16W	2	
R2184-87	ERJ3GEYJ221	M 220 OHM,J,1/16W	4	
R2188	ERJ3GEYJ103	M 10KOHM,J,1/16W	1	
R2190	ERJ3GEYJ221	M 220 OHM,J,1/16W	1	
R2192,93	ERJ3GEYJ221	M 220 OHM,J,1/16W	2	
R2195,96	ERJ3GEYJ104	M 100KOHM,J,1/16W	2	
R2197	ERJ3GEYJ471	M 470 OHM,J,1/16W	1	
R2199,00	ERJ3GEYJ221	M 220 OHM,J,1/16W	2	
R2202	ERJ3GEYJ101	M 100 OHM,J,1/16W	1	
R2203	ERJ6GEYJ101	M 100 OHM,J,1/10W	1	
R2204	ERJ6GEYJ561	M 560 OHM,J,1/10W	1	
R2208	ERJ6GEYJ471	M 470 OHM,J,1/10W	1	
R2209	ERJ3GEYJ332	M 3.3KOHM,J,1/16W	1	
R2210	ERJ6GEYJ122	M 1.2KOHM,J,1/10W	1	
R2211	ERJ3GEY0R00	M 0 OHM, 1/16W	1	
R2213	ERJ3GEYJ103	M 10KOHM,J,1/16W	1	
R2214	ERJ3GEYJ332	M 3.3KOHM,J,1/16W	1	
R2215	ERJ3GEY0R00	M 0 OHM, 1/16W	1	
R2219	ERJ6GEYJ101	M 100 OHM,J,1/10W	1	
R2220	ERJ3GEYJ153	M 15KOHM,J,1/16W	1	
R2224,25	ERJ3GEY0R00	M 0 OHM, 1/16W	2	
R2227	ERJ6GEY0R00	M 0 OHM, 1/10W	1	
R2230,31	ERJ3GEYJ104	M 100KOHM,J,1/16W	2	
R2232,33	ERJ3GEYJ153	M 15KOHM,J,1/16W	2	
R2234,35	ERJ3GEYJ103	M 10KOHM,J,1/16W	2	
R2236	ERJ3GEYJ473	M 47KOHM,J,1/16W	1	
R2237	ERJ3GEYJ103	M 10KOHM,J,1/16W	1	
R2238,39	ERJ3GEY0R00	M 0 OHM, 1/16W	2	
R2246	ERJ3EKF3602	M 36KOHM, 1/16W	1	
R2302	ERJ3GEYJ223	M 22KOHM,J,1/16W	1	
R2303	ERJ3GEYJ562	M 5.6KOHM,J,1/16W	1	
R2304	ERJ3GEYJ104	M 100KOHM,J,1/16W	1	

Ref. No.	Part No.	Part Name & Description	Pcs	Remarks
R2305	ERJ3GEYJ471	M 470 OHM,J,1/16W	1	
R2306	ERJ6GEYJ821	M 820 OHM,J,1/10W	1	
R2307	ERJ3GEYJ104	M 100KOHM,J,1/16W	1	
R2310	ERJ3GEY0R00	M 0 OHM, 1/16W	1	(PA)
R2310	ERJ3GEYJ184	M 180KOHM,J,1/16W	1	(H)
R2311	ERJ3GEY0R00	M 0 OHM, 1/16W	1	(PA)
R2311	ERJ6GEYJ182	M 1.8KOHM,J,1/10W	1	(H)
R2312	ERJ3EKF1002	M 10KOHM, 1/16W	1	
R2323,24	ERJ3GEY0R00	M 0 OHM, 1/16W	2	
R2325	ERJ3GEYJ103	M 10KOHM,J,1/16W	1	
R2329	ERJ3EKF1003	M 100KOHM, 1/16W	1	
R2332	ERJ3GEYJ103	M 10KOHM,J,1/16W	1	
R2338	ERJ3GEY0R00	M 0 OHM, 1/16W	1	
R2341	ERJ6GEY0R00	M 0 OHM, 1/10W	1	
R2349	ERJ3GEYJ101	M 100 OHM,J,1/16W	1	
R2354	ERJ3GEYJ102	M 1KOHM,J,1/16W	1	
R2357	ERJ6GEY0R00	M 0 OHM, 1/10W	1	
R2359	ERJ3GEYJ222	M 2.2KOHM,J,1/16W	1	
R2360	ERJ3GEYJ103	M 10KOHM,J,1/16W	1	
R2361	ERJ3GEYJ562	M 5.6KOHM,J,1/16W	1	
R2363	ERJ3GEYJ471	M 470 OHM,J,1/16W	1	
R2364	ERJ3GEYJ473	M 47KOHM,J,1/16W	1	
R2365	ERJ3GEYJ101	M 100 OHM,J,1/16W	1	
R2366	ERJ3GEYJ472	M 4.7KOHM,J,1/16W	1	
R2368	ERJ6GEY0R00	M 0 OHM, 1/10W	1	
R2369	ERJ3GEYJ183	M 18KOHM,J,1/16W	1	
R2372,73	ERJ6GEYJ681	M 680 OHM,J,1/10W	2	
R2375	ERJ3GEYJ101	M 100 OHM,J,1/16W	1	
R2376	ERJ3EKF1002	M 10KOHM, 1/16W	1	
R2379,80	ERJ6ENF2201	M 2.2KOHM, 1/10W	2	
R2383	ERJ3EKF3301	M 3.3KOHM, 1/16W	1	
R2384	ERJ3EKF1151	M1.15KOHM, 1/16W	1	
R2387	ERJ3EKF1151	M1.15KOHM, 1/16W	1	
R2388	ERJ3EKF3301	M 3.3KOHM, 1/16W	1	(PA)
R2388,89	ERJ6GEYJ102	M 1KOHM,J,1/10W	2	(H)
R2390	ERJ3GEYJ203	M 20KOHM,J,1/16W	1	
R2391	ERJ3GEYJ103	M 10KOHM,J,1/16W	1	
R2392	ERJ3GEYJ223	M 22KOHM,J,1/16W	1	
R2393	ERJ3GEYJ103	M 10KOHM,J,1/16W	1	
R2396	ERJ3GEYJ103	M 10KOHM,J,1/16W	1	
R2397	ERJ3GEYJ473	M 47KOHM,J,1/16W	1	(H)
R2397	ERJ6GEY0R00	M 0 OHM, 1/10W	1	(PA)
R2398	ERJ3GEYJ123	M 12KOHM,J,1/16W	1	(H)
R2398	ERJ6GEY0R00	M 0 OHM, 1/10W	1	(PA)
R2399	ERJ3GEYJ102	M 1KOHM,J,1/16W	1	
R2400	ERJ6GEYJ182	M 1.8KOHM,J,1/10W	1	
R2401,02	ERJ3GEYJ331	M 330 OHM,J,1/16W	2	
R2403	ERJ3GEYJ472	M 4.7KOHM,J,1/16W	1	
R2404,05	ERJ3GEYJ331	M 330 OHM,J,1/16W	2	
R2406	ERJ3GEYJ472	M 4.7KOHM,J,1/16W	1	
R2407	ERJ3EKF1241	M1.24KOHM, 1/16W	1	
R2408	ERJ3EKF1071	M1.07KOHM, 1/16W	1	
R2409	ERJ3EKF1621	M1.62KOHM, 1/16W	1	
R2410	ERJ3EKF7870	M 787 OHM, 1/16W	1	
R2421	ERJ3EKF1621	M1.62KOHM, 1/16W	1	
R2422	ERJ3EKF7870	M 787 OHM, 1/16W	1	
R2512	ERJ6GEYJ470	M 47 OHM,J,1/10W	1	
R2516	ERJ3GEYJ223	M 22KOHM,J,1/16W	1	
R2517	ERJ6GEYJ470	M 47 OHM,J,1/10W	1	
R2520	ERJ3GEYJ224	M 220KOHM,J,1/16W	1	
R2521	ERJ6GEYJ470	M 47 OHM,J,1/10W	1	
R2524	ERJ3GEYJ223	M 22KOHM,J,1/16W	1	
R2539	ERJ3GEYJ473	M 47KOHM,J,1/16W	1	
R2540	ERJ3GEYJ223	M 22KOHM,J,1/16W	1	
R2542	ERJ3GEYJ473	M 47KOHM,J,1/16W	1	
R2554	ERJ6ENF75R0	M 75 OHM, 1/10W	1	
R2557	ERJ3GEYJ562	M 5.6KOHM,J,1/16W	1	
R2559	ERJ6GEY0R00	M 0 OHM, 1/10W	1	

Ref. No.	Part No.	Part Name & Description	Pcs	Remarks
R2560	ERJ3EKF5760	M 576 OHM, 1/16W	1	
R2567	ERJ6GEY0R00	M 0 OHM, 1/10W	1	
R2572	ERJ6GEY0R00	M 0 OHM, 1/10W	1	
R3001,02	ERJ6ENF1500	M 150 OHM, 1/10W	2	
R3003-05	ERJ6ENF75R0	M 75 OHM, 1/10W	3	
R3006-08	ERJ6ENF1500	M 150 OHM, 1/10W	3	
R3009-15	ERJ6ENF75R0	M 75 OHM, 1/10W	7	
R3016,17	ERJ6GEYJ101	M 100 OHM,J,1/10W	2	
R3018,19	ERJ6GEYJ680	M 68 OHM,J,1/10W	2	
R3020-22	ERJ6ENF2202	M 2.2KOHM, 1/10W	3	
R3023,24	ERJ6ENF1202	M 12KOHM, 1/10W	2	
R3025	ERJ3GEYJ103	M 10KOHM,J,1/16W	1	
R3026	ERJ3GEYJ473	M 47KOHM,J,1/16W	1	
R3027,28	ERJ6ENF1500	M 150 OHM, 1/10W	2	
R3030-32	ERJ3GEY0R00	M 0 OHM, 1/16W	3	
R3033,34	ERJ6ENF1500	M 150 OHM, 1/10W	2	
R3036	ERJ6ENF1500	M 150 OHM, 1/10W	1	
R3041,42	ERJ3GEYJ182	M 1.8KOHM,J,1/16W	2	
R3043	ERJ3GEYJ331	M 330 OHM,J,1/16W	1	
R3044,45	ERJ3GEY0R00	M 0 OHM, 1/16W	2	
R3048	ERJ3GEYJ223	M 22KOHM,J,1/16W	1	
R3049	ERJ3GEYJ221	M 220 OHM,J,1/16W	1	
R3050	ERJ3GEYJ242	M 2.4KOHM,J,1/16W	1	
R3051	ERJ3GEYJ682	M 6.8KOHM,J,1/16W	1	
R3052	ERJ3GEY0R00	M 0 OHM, 1/16W	1	
R3057,58	ERJ3GEY0R00	M 0 OHM, 1/16W	2	
R3059-64	ERJ3GEYJ221	M 220 OHM,J,1/16W	6	
R3068	ERJ6ENF75R0	M 75 OHM, 1/10W	1	
R3070	ERJ3GEYJ102	M 1KOHM,J,1/16W	1	
R3072-75	ERJ3GEYJ221	M 220 OHM,J,1/16W	4	
R3076	ERJ3GEY0R00	M 0 OHM, 1/16W	1	
R3077	ERJ3GEYJ221	M 220 OHM,J,1/16W	1	
R3078	ERJ3GEY0R00	M 0 OHM, 1/16W	1	
R3086-88	ERJ3GEYJ221	M 220 OHM,J,1/16W	3	
R3089,90	ERJ3GEYJ220	M 22 OHM,J,1/16W	2	
R3092	ERJ3GEYJ221	M 220 OHM,J,1/16W	1	
R3094-01	ERJ3GEYJ221	M 220 OHM,J,1/16W	8	
R3102	ERJ3GEYJ682	M 6.8KOHM,J,1/16W	1	
R3103	ERJ3GEYJ222	M 2.2KOHM,J,1/16W	1	
R3105	ERJ3GEYJ332	M 3.3KOHM,J,1/16W	1	
R3107	ERJ3GEYJ103	M 10KOHM,J,1/16W	1	
R3109	ERJ3GEYJ331	M 330 OHM,J,1/16W	1	
R3111-14	ERJ3GEY0R00	M 0 OHM, 1/16W	4	
R3115	ERJ3GEYJ101	M 100 OHM,J,1/16W	1	
R3118	ERJ3GEYJ101	M 100 OHM,J,1/16W	1	
R3121	ERJ3EKF1300V	M 130 OHM, 1/16W	1	
R3122	ERJ3GEYJ101	M 100 OHM,J,1/16W	1	
R3123	ERJ3EKF1000	M 100 OHM, 1/16W	1	
R3125	ERJ6GEYJ102	M 1KOHM,J,1/10W	1	
R3126	ERJ3GEYJ101	M 100 OHM,J,1/16W	1	
R3127	ERJ6GEYJ102	M 1KOHM,J,1/10W	1	
R3130,31	ERJ3GEYJ101	M 100 OHM,J,1/16W	2	
R3132,33	ERJ3GEYJ103	M 10KOHM,J,1/16W	2	
R3134	ERJ3GEYJ333	M 33KOHM,J,1/16W	1	
R3136	ERJ3GEYJ333	M 33KOHM,J,1/16W	1	

Ref. No.	Part No.	Part Name & Description	Pcs	Remarks
R3138	ERJ3EKF1000	M 100 OHM, 1/16W	1	
R3139	ERJ6GEYJ102	M 1KOHM,J,1/10W	1	
R3140	ERJ3EKF1300V	M 130 OHM, 1/16W	1	
R3141	ERJ6GEYJ102	M 1KOHM,J,1/10W	1	
R3143	ERJ6ENF75R0	M 75 OHM, 1/10W	1	
R3144	ERJ3GEYJ221	M 220 OHM,J,1/16W	1	
R3145	ERJ3GEYJ104	M 100KOHM,J,1/16W	1	
R3146	ERJ3GEYJ361	M 360 OHM,J,1/16W	1	
R3149	ERJ3GEYJ361	M 360 OHM,J,1/16W	1	
R3150	ERJ6ENF75R0	M 75 OHM, 1/10W	1	
R3151	ERJ3GEYJ221	M 220 OHM,J,1/16W	1	
R3152	ERJ3GEYJ104	M 100KOHM,J,1/16W	1	
R3153,54	ERJ3GEYJ361	M 360 OHM,J,1/16W	2	
R3155	ERJ6ENF75R0	M 75 OHM, 1/10W	1	
R3156	ERJ3GEYJ221	M 220 OHM,J,1/16W	1	
R3157	ERJ3GEYJ104	M 100KOHM,J,1/16W	1	
R3158,59	ERJ3GEYJ361	M 360 OHM,J,1/16W	2	
R3160,61	ERJ6GEYJ102	M 1KOHM,J,1/10W	2	
R3163	ERJ6ENF1202	M 12KOHM, 1/10W	1	
R3206	ERJ3GEYJ101	M 100 OHM,J,1/16W	1	
R3213,14	ERJ3GEY0R00	M 0 OHM, 1/16W	2	
R3215	J0JCC0000241	CHIP INDUCTOR	1	
R3222	ERJ3GEY0R00	M 0 OHM, 1/16W	1	
R3224	ERJ3GEY0R00	M 0 OHM, 1/16W	1	
R3227-29	ERJ3GEY0R00	M 0 OHM, 1/16W	3	
R3233,34	ERJ6ENF75R0	M 75 OHM, 1/10W	2	
R3238	ERJ3GEY0R00	M 0 OHM, 1/16W	1	
R3239	ERJ3GEYJ683	M 68KOHM,J,1/16W	1	
R3245-48	ERJ3GEY0R00	M 0 OHM, 1/16W	4	
R3249	J0JCC0000241	CHIP INDUCTOR	1	
R3250,51	ERJ3GEYJ472	M 4.7KOHM,J,1/16W	2	
R3302	ERJ6GEYJ101	M 100 OHM,J,1/10W	1	
R3305	ERJ6GEYJ101	M 100 OHM,J,1/10W	1	
R3306,07	ERJ6GEYJ472	M 4.7KOHM,J,1/10W	2	
R3308,09	ERJ6GEY0R00	M 0 OHM, 1/10W	2	
R3310	ERJ6ENF75R0	M 75 OHM, 1/10W	1	
R3312	ERJ3GEYJ103	M 10KOHM,J,1/16W	1	
R3313	ERJ6ENF75R0	M 75 OHM, 1/10W	1	
R3317	ERJ3GEYJ103	M 10KOHM,J,1/16W	1	
R3318	ERJ6ENF75R0	M 75 OHM, 1/10W	1	
R3320	ERJ6GEY0R00	M 0 OHM, 1/10W	1	
R3323,24	ERJ6GEY0R00	M 0 OHM, 1/10W	2	
R3330	ERJ3GEY0R00	M 0 OHM, 1/16W	1	
R3336	ERJ3GEYJ473	M 47KOHM,J,1/16W	1	
R3337	ERJ3GEYJ183	M 18KOHM,J,1/16W	1	
R3338	ERJ3GEYJ101	M 100 OHM,J,1/16W	1	
R3339	ERJ3GEYJ471	M 470 OHM,J,1/16W	1	
R3340	ERJ3GEYJ101	M 100 OHM,J,1/16W	1	
R3341	ERJ3GEYJ473	M 47KOHM,J,1/16W	1	
R3342	ERJ3GEYJ183	M 18KOHM,J,1/16W	1	
R3343	ERJ3GEYJ471	M 470 OHM,J,1/16W	1	
R3344	ERJ3GEYJ101	M 100 OHM,J,1/16W	1	
R3345	ERJ3GEYJ183	M 18KOHM,J,1/16W	1	
R3346	ERJ3GEYJ473	M 47KOHM,J,1/16W	1	
R3347	ERJ3GEYJ471	M 470 OHM,J,1/16W	1	
R3348,49	ERJ3GEYJ680	M 68 OHM,J,1/16W	2	
R3350-52	ERJ3GEYJ510	M 51 OHM,J,1/16W	3	
R3704	ERJ3GEY0R00	M 0 OHM, 1/16W	1	
R3709-11	ERJ3GEY0R00	M 0 OHM, 1/16W	3	
R3716,17	ERJ6GEYJ184	M 180KOHM,J,1/10W	2	
R3721	ERJ6GEYJ103	M 10KOHM,J,1/10W	1	

Ref. No.	Part No.	Part Name & Description	Pcs	Remarks
R3732	ERJ3GEY0R00	M 0 OHM, 1/16W	1	
R3733	ERJ6GEY0R00	M 0 OHM, 1/10W	1	
R3736-41	ERJ3GEY0R00	M 0 OHM, 1/16W	6	
R3746	ERJ6GEY0R00	M 0 OHM, 1/10W	1	
R3748	ERJ6GEY0R00	M 0 OHM, 1/10W	1	
R3750	ERJ6GEY0R00	M 0 OHM, 1/10W	1	
R3751	ERJ6ENF1432	M14.3KOHM, 1/10W	1	
R3753	ERJ6ENF1741	M1.74KOHM, 1/10W	1	
R3754	ERJ6ENF1621	M1.62KOHM, 1/10W	1	
R3755	ERJ6GEY0R00	M 0 OHM, 1/10W	1	
R3757	ERJ6GEY0R00	M 0 OHM, 1/10W	1	
R3758	ERJ6ENF6651	M6.65KOHM, 1/10W	1	
R3759-64	ERJ6GEY0R00	M 0 OHM, 1/10W	6	
R3765	ERJ6ENF2321	M2.32KOHM, 1/10W	1	
R3767	ERJ6ENF3161	M3.16KOHM, 1/10W	1	
R3768	ERJ6GEY0R00	M 0 OHM, 1/10W	1	
R4001	ERJ3EKF1211	M1.21KOHM, 1/16W	1	
R4004	ERJ2GE0R00	M 0.0 OHM, J,0.063W	1	
R4008	ERJ2GE0R00	M 0.0 OHM, J,0.063W	1	
R4010	ERJ2GE0R00	M 0.0 OHM, J,0.063W	1	
R4019	ERJ2GE0R00	M 0.0 OHM, J,0.063W	1	
R4021	ERJ2GE0R00	M 0.0 OHM, J,0.063W	1	
R4022	ERJ2GEJ102	M 1KOHM, J,0.063W	1	
R4024,25	ERJ2GE0R00	M 0.0 OHM, J,0.063W	2	
R4026,27	ERJ2GEJ102	M 1KOHM, J,0.063W	2	
R4029	ERJ2GEJ220	M 22 OHM, J,0.063W	1	
R4031-33	ERJ2GEJ103	M 10KOHM, J,0.063W	3	
R4037-39	D1HG1038A002	NETWORK RESISTER	3	
R4040,41	ERJ2GE0R00	M 0.0 OHM, J,0.063W	2	
R4045,46	ERJ3GEY0R00	M 0 OHM, 1/16W	2	
R4101	ERJ2GEJ103	M 10KOHM, J,0.063W	1	
R4257	ERJ3EKF3302	M 33KOHM, 1/16W	1	
R4265	ERJ3EKF3242	M32.4KOHM, 1/16W	1	
R4269	ERJ2GE0R00	M 0.0 OHM, J,0.063W	1	
R4271,72	ERJ2GE0R00	M 0.0 OHM, J,0.063W	2	
R4286,87	ERJ2GE0R00	M 0.0 OHM, J,0.063W	2	
R4293	ERJ2GE0R00	M 0.0 OHM, J,0.063W	1	
R4338-43	ERJ2GE0R00	M 0.0 OHM, J,0.063W	6	
R4457	ERJ2GE0R00	M 0.0 OHM, J,0.063W	1	
R4465	ERJ2GEJ224	M 220KOHM, J,0.063W	1	
R4469,70	ERJ3EKF1500	M 150 OHM, 1/16W	2	
R4472	ERJ2GE0R00	M 0.0 OHM, J,0.063W	1	
R4474	ERJ3EKF1211	M1.21KOHM, 1/16W	1	
R4479,80	ERJ3EKF4220	M 422 OHM, 1/10W	2	
R4481	ERJ3EKF2201	M 2.2KOHM, 1/16W	1	
R4482,83	ERJ3EKF1781	M1.78KOHM, 1/16W	2	
R4486	ERJ3EKF4870	M 487 OHM, 1/16W	1	
R4487	ERJ3EKF5600	M 560 OHM, 1/16W	1	
R4488	ERJ3EKF2201	M 2.2KOHM, 1/16W	1	
R4490	ERJ6GEYJ102	M 1KOHM,J,1/10W	1	
R4492	ERJ6GEYJ102	M 1KOHM,J,1/10W	1	
R4495	ERJ3EKF4302	M 43KOHM, 1/16W	1	
R4496-99	ERJ6GEYJ102	M 1KOHM,J,1/10W	4	

Ref. No.	Part No.	Part Name & Description	Pcs	Remarks
R4500	ERJ3EKF2702V	M27.0KOHM, 1/16W	1	
R4501,02	ERJ6GEYJ102	M 1KOHM,J,1/10W	2	
R4503	ERJ3EKF1600	M 160 OHM, 1/16W	1	
R4505	ERJ2GEJ103	M 10KOHM, J,0.063W	1	
R4506	ERJ2GE0R00	M 0.0 OHM, J,0.063W	1	
R4508	ERJ2GE0R00	M 0.0 OHM, J,0.063W	1	
R4510	ERJ2GE0R00	M 0.0 OHM, J,0.063W	1	
R4517	ERJ3EKF1371	M 13.7 OHM, 1/16W	1	
R4520	ERJ3EKF1691	M1.69KOHM, 1/16W	1	
R4521,22	ERJ2GEJ220	M 22 OHM, J,0.063W	2	
R4527	ERJ2GEJ220	M 22 OHM, J,0.063W	1	
R4533	ERJ2GEJ220	M 22 OHM, J,0.063W	1	
R4534,35	ERJ2GEJ101	M 100 OHM, J,0.063W	2	
R4544	ERJ2GEJ220	M 22 OHM, J,0.063W	1	
R4550	EXB28V220J	RESISTOR ARRAY	1	
R4552	EXB28V220J	RESISTOR ARRAY	1	
R4554	ERJ2GEJ220	M 22 OHM, J,0.063W	1	
R4555	EXB28V220J	RESISTOR ARRAY	1	
R4560,61	EXB28V220J	RESISTOR ARRAY	2	
R4563-65	ERJ2GEJ220	M 22 OHM, J,0.063W	3	
R4568	ERJ2GEJ101	M 100 OHM, J,0.063W	1	
R4572	ERJ2GEJ103	M 10KOHM, J,0.063W	1	
R4575	ERJ2GEJ472	M 4.7KOHM, J,0.063W	1	
R4577-79	ERJ2GEJ222	M 2.2KOHM, J,0.063W	3	
R4583,84	ERJ2GEJ390	M 39 OHM, J,0.063W	2	
R4589-04	ERJ2GEJ2R7X	M 2.70HM, J,0.063W	16	
R4605,06	ERJ2GEJ103	M 10KOHM, J,0.063W	2	
R4607	ERJ2GEJ220	M 22 OHM, J,0.063W	1	
R4609,10	ERJ2GEJ103	M 10KOHM, J,0.063W	2	
R4612,13	ERJ2GEJ472	M 4.7KOHM, J,0.063W	2	
R4617,18	ERJ2GEJ472	M 4.7KOHM, J,0.063W	2	
R4619	ERJ2GEJ473	M 47KOHM,J,0.063W	1	
R4620	ERJ2GEJ560	M 56 OHM, J,0.063W	1	
R4621	ERJ2GEJ473	M 47KOHM,J,0.063W	1	
R4622	ERJ2GEJ560	M 56 OHM, J,0.063W	1	
R4624	ERJ2GEJ560	M 56 OHM, J,0.063W	1	
R4626	ERJ2GEJ560	M 56 OHM, J,0.063W	1	
R4628	ERJ2GEJ103	M 10KOHM, J,0.063W	1	
R4629-32	ERJ2GEJ472	M 4.7KOHM, J,0.063W	4	
R4633,34	ERJ2GEJ220	M 22 OHM, J,0.063W	2	
R4636	ERJ2GEJ103	M 10KOHM, J,0.063W	1	
R4637	ERJ2GEJ330	M 33 OHM, J,0.063W	1	
R4639	ERJ2GEJ103	M 10KOHM, J,0.063W	1	
R4640	ERJ2GEJ220	M 22 OHM, J,0.063W	1	
R4641	EXB28V330J	RESISTOR ARRAY	1	
R4642-45	ERJ2GEJ220	M 22 OHM, J,0.063W	4	
R4647	ERJ2GEJ220	M 22 OHM, J,0.063W	1	
R4648	ERJ2GEJ330	M 33 OHM, J,0.063W	1	
R4655	ERJ2GEJ330	M 33 OHM, J,0.063W	1	
R4657	ERJ2GEJ182	M 1.8KOHM, J,0.063W	1	
R4658	ERJ2GEJ220	M 22 OHM, J,0.063W	1	
R4660	ERJ2GEJ220	M 22 OHM, J,0.063W	1	
R4661	ERJ2GEJ472	M 4.7KOHM, J,0.063W	1	
R4662	ERJ2GEJ220	M 22 OHM, J,0.063W	1	
R4665	EXB2HV220JV	RESISTOR ARRAY	1	

Ref. No.	Part No.	Part Name & Description	Pcs	Remarks
R4667	EXB2HV220JV	RESISTOR ARRAY	1	
R4668	ERJ2GEJ680	M 68 OHM, J,0.063W	1	
R4669	EXB2HV220JV	RESISTOR ARRAY	1	
R4672,73	ERJ2GEJ103	M 10KOHM, J,0.063W	2	
R4675	ERJ3EKF1802	M 18KOHM, 1/16W	1	
R4677	ERJ3EKF1802	M 18KOHM, 1/16W	1	
R4679,80	ERJ3EKF2202	M 22KOHM, 1/16W	2	
R4681,82	ERJ3EKF3302	M 33KOHM, 1/16W	2	
R4701	ERJ2GEJ680	M 68 OHM, J,0.063W	1	
R4706	ERJ2GE0R00	M 0.0 OHM, J,0.063W	1	
R4708,09	ERJ2GEJ680	M 68 OHM, J,0.063W	2	
R4710	ERJ2GE0R00	M 0.0 OHM, J,0.063W	1	
R4711	ERJ2GEJ103	M 10KOHM, J,0.063W	1	
R4712	ERJ2GE0R00	M 0.0 OHM, J,0.063W	1	
R4713,14	EXB2HV221JV	RESISTOR ARRAY	2	
R4715	ERJ2GE0R00	M 0.0 OHM, J,0.063W	1	
R4718-20	ERJ2GEJ680	M 68 OHM, J,0.063W	3	
R4727	ERJ2GE0R00	M 0.0 OHM, J,0.063W	1	
R4729,30	ERJ3EKF1000	M 100 OHM, 1/16W	2	
R4731	ERJ3EKF1001	M 1KOHM, 1/16W	1	
R4732	ERJ3EKF4751	M4.75KOHM, 1/16W	1	
R4733	ERJ3EKF75R0	M 0.75HM, 1/16W	1	
R4734	ERJ2GEJ223	M 22KOHM, J,0.063W	1	
R4735	ERJ3EKF2001	M 2KOHM, 1/16W	1	
R4737	ERJ2GE0R00	M 0.0 OHM, J,0.063W	1	
R4738,39	ERJ2GEJ332	M 3.3KOHM, J,0.063W	2	
R4743-47	ERJ2GEJ680	M 68 OHM, J,0.063W	5	
R4749,50	EXB2HV680J	RESISTOR ARRAY	2	
R4751-54	ERJ2GEJ220	M 22 OHM, J,0.063W	4	
R4756-60	ERJ2GEJ680	M 68 OHM, J,0.063W	5	
R4762	EXB2HV680J	RESISTOR ARRAY	1	
R4763-65	ERJ2GE0R00	M 0.0 OHM, J,0.063W	3	
R4772	EXB2HV470JV	RESISTOR ARRAY	1	
R4773	ERJ2GEJ470	M 47 OHM, J,0.063W	1	
R4774	EXB2HV470JV	RESISTOR ARRAY	1	
R4775	ERJ2GEJ470	M 47 OHM, J,0.063W	1	
R4776	EXB2HV470JV	RESISTOR ARRAY	1	
R4777	ERJ2GEJ470	M 47 OHM, J,0.063W	1	
R4778	EXB2HV470JV	RESISTOR ARRAY	1	
R4779	ERJ2GEJ470	M 47 OHM, J,0.063W	1	
R4782	ERJ2GEJ220	M 22 OHM, J,0.063W	1	
R4783	ERJ2GEJ472	M 4.7KOHM, J,0.063W	1	
R4784	ERJ2GEJ220	M 22 OHM, J,0.063W	1	
R4785	ERJ2GEJ472	M 4.7KOHM, J,0.063W	1	
R4788	EXB2HV470JV	RESISTOR ARRAY	1	
R4791,92	ERJ2GEJ470	M 47 OHM, J,0.063W	2	
R4793,94	ERJ2GEJ220	M 22 OHM, J,0.063W	2	
R4796	EXB2HV470JV	RESISTOR ARRAY	1	
R4804	ERJ2GEJ101	M 100 OHM, J,0.063W	1	
R4805,06	ERJ3EKF1001	M 1KOHM, 1/16W	2	
R4807-11	ERJ2GE0R00	M 0.0 OHM, J,0.063W	5	
R4814	ERJ2GEJ103	M 10KOHM, J,0.063W	1	

Ref. No.	Part No.	Part Name & Description	Pcs	Remarks
R4816,17	ERJ2GEJ223	M 22KOHM, J,0.063W	2	
R4819	ERJ2GEJ223	M 22KOHM, J,0.063W	1	
R4822	ERJ2GEJ103	M 10KOHM, J,0.063W	1	
R4823-25	J0JAD0000025	CHIP INDUCTOR	3	
R4826,27	EXB2HVR000	RESISTOR ARRAY	2	
R4830,31	ERJ2GEOR00	M 0.0 OHM, J,0.063W	2	
R4837	ERJ2GEJ220	M 22 OHM, J,0.063W	1	
R4838	ERJ2GEJ112	M 1.1KOHM, J,0.063W	1	
R4840	ERJ2GEOR00	M 0.0 OHM, J,0.063W	1	
R4891	ERJ2GEOR00	M 0.0 OHM, J,0.063W	1	
R4898	ERJ2GEJ103	M 10KOHM, J,0.063W	1	
R4960	EXB2HV680J	RESISTOR ARRAY	1	
R4961-63	ERJ2GEJ680	M 68 OHM, J,0.063W	3	
R4964	EXB2HV680J	RESISTOR ARRAY	1	
R4965,66	ERJ2GEJ680	M 68 OHM, J,0.063W	2	
R4967	EXB2HV680J	RESISTOR ARRAY	1	
R4968-72	ERJ2GEJ680	M 68 OHM, J,0.063W	5	
R5601	ERJ3EKF1800	M 180 OHM, 1/16W	1	
R5603	ERJ3EKF1542	M15.4KOHM, 1/16W	1	
R5605	ERJ3GEYJ472	M 4.7KOHM,J,1/16W	1	
R5606	ERJ3GEYJ222	M 2.2KOHM,J,1/16W	1	
R5607	ERJ3EKF4531	M4.53KOHM, 1/16W	1	
R5609	ERJ3EKF2000	M 200 OHM, 1/16W	1	
R5611	ERJ6ENF8202	M 82KOHM, 1/10W	1	
R5612	ERJ6ENF1602	M 16KOHM, 1/10W	1	
R5615	ERJ3GEYJ103	M 10KOHM,J,1/16W	1	
R5617	ERJ3GEYJ102	M 1KOHM,J,1/16W	1	
R5619	ERJ3GEYJ333	M 33KOHM,J,1/16W	1	
R5620	ERJ3GEYJ102	M 1KOHM,J,1/16W	1	
R5621	ERJ3GEYJ472	M 4.7KOHM,J,1/16W	1	
R5625-27	ERJ3GEYJ472	M 4.7KOHM,J,1/16W	3	
R5632	ERJ3GEYJ471	M 470 OHM,J,1/16W	1	
R5633	ERJ3GEYJ102	M 1KOHM,J,1/16W	1	
R5634	ERJ3GEYJ471	M 470 OHM,J,1/16W	1	
R5635	ERJ3GEYJ221	M 220 OHM,J,1/16W	1	
R5637,38	ERJ3GEYJ103	M 10KOHM,J,1/16W	2	
R5639	ERJ3GEYJ222	M 2.2KOHM,J,1/16W	1	
R5640	ERJ3GEYJ472	M 4.7KOHM,J,1/16W	1	
R5641	ERJ3GEYJ222	M 2.2KOHM,J,1/16W	1	
R5642	ERJ3GEYJ471	M 470 OHM,J,1/16W	1	
R5643	ERJ3GEYJ102	M 1KOHM,J,1/16W	1	
R5644	ERJ3GEYJ222	M 2.2KOHM,J,1/16W	1	
R5645	ERJ3EKF2201	M 2.2KOHM, 1/16W	1	
R5646	ERJ3EKF4701	M 4.7KOHM, 1/16W	1	
R5647	ERJ3GEYJ221	M 220 OHM,J,1/16W	1	
R5648	ERJ3GEYJ392	M 3.9KOHM,J,1/16W	1	
R5649	ERJ3GEYJ104	M 100KOHM,J,1/16W	1	
R5650	ERJ3GEYJ221	M 220 OHM,J,1/16W	1	
R5652	ERJ3GEYOR00	M 0 OHM, 1/16W	1	
R5653,54	ERJ3GEYJ103	M 10KOHM,J,1/16W	2	
R5659	ERJ3EKF4700	M 470 OHM, 1/16W	1	
R5660	ERJ3GEYOR00	M 0 OHM, 1/16W	1	
R5662	ERJ3GEYJ472	M 4.7KOHM,J,1/16W	1	
R5664	ERJ3GEYJ472	M 4.7KOHM,J,1/16W	1	
R5665	ERJ3GEYJ473	M 47KOHM,J,1/16W	1	
R5667-69	ERJ3GEYJ473	M 47KOHM,J,1/16W	3	
R5672	ERJ3GEYJ103	M 10KOHM,J,1/16W	1	
R5676	ERJ3GEYJ103	M 10KOHM,J,1/16W	1	
R5692	ERJ3GEYJ102	M 1KOHM,J,1/16W	1	
R5693	ERJ3GEYJ333	M 33KOHM,J,1/16W	1	
R5694	ERJ3GEYJ473	M 47KOHM,J,1/16W	1	
R5695	ERJ3GEYJ103	M 10KOHM,J,1/16W	1	

Ref. No.	Part No.	Part Name & Description	Pcs	Remarks
R5801	ERJ3EKF8450	M 845 OHM, 1/16W	1	
R5802	ERJ3EKF1302	M 23KOHM, 1/16W	1	
R5803	ERJ3EKF2001	M 2KOHM, 1/16W	1	
R5804	ERJ3GEYOR00	M 0 OHM, 1/16W	1	
R5805-08	ERJ3GEYJ222	M 2.2KOHM,J,1/16W	4	
R5809	ERJ3GEYJ472	M 4.7KOHM,J,1/16W	1	
R5822-24	ERJ3GEYJ101	M 100 OHM,J,1/16W	3	
R5826	ERJ3GEYJ101	M 100 OHM,J,1/16W	1	
R5836	ERJ3GEYJ102	M 1KOHM,J,1/16W	1	
R6001-06	ERJ14YJ150U	M 15 OHM, J,1/4W	6	
R6020	ERG3FJS101D	M 100 OHM, J, 3W	1	
R6021	ERJ14YJ150U	M 15 OHM, J,1/4W	1	
R6022	ERG3FJS101D	M 100 OHM, J, 3W	1	
R6023-27	ERJ14YJ150U	M 15 OHM, J,1/4W	5	
R6031,32	ERJ6ENF8202	M 82KOHM, 1/10W	2	
R6033	ERJ6ENF5602	M 56KOHM, 1/10W	1	
R6034	ERJ6ENF2702	M 27KOHM, 1/10W	1	
R6041-44	ERJ14YJ100	M 10 OHM, J,1/4W	4	
R6051-54	ERJ14YJ100	M 10 OHM, J,1/4W	4	
R6061,62	ERJ6GEYJ224	M 220KOHM,J,1/10W	2	
R6101-08	ERJ6GEYJ101	M 100 OHM,J,1/10W	8	
R6109	D0GD100JA036	M 10 OHM,J,0.25W	1	
R6110	ERJ6GEYJ103	M 10KOHM,J,1/10W	1	
R6111,12	D0GD470JA036	M 47 OHM,J,0.25W	2	
R6113	ERJ14YJ224	M 220KOHM, J,1/4W	1	
R6114	D0GD470JA036	M 47 OHM,J,0.25W	1	
R6116	ERJ6GEYJ103	M 10KOHM,J,1/10W	1	
R6131,32	ERJ6GEYJ101	M 100 OHM,J,1/10W	2	
R6133,34	ERJ6GEYJ151	M 150 OHM,J,1/10W	2	
R6135,36	D0GD100JA036	M 10 OHM,J,0.25W	2	
R6141,42	ERJ6GEYJ103	M 10KOHM,J,1/10W	2	
R6146,47	ERJ6GEYJ103	M 10KOHM,J,1/10W	2	
R6151,52	ERJ6GEYJ101	M 100 OHM,J,1/10W	2	
R6153,54	ERJ6GEYJ151	M 150 OHM,J,1/10W	2	
R6155,56	ERJ6GEYOR00	M 0 OHM, 1/10W	2	
R6157-60	D0GF1R0JA047	M 1.0 OHM,J, 0.33W	4	
R6171	D0GD100JA036	M 10 OHM,J,0.25W	1	
R6172,73	ERJ6GEYJ103	M 10KOHM,J,1/10W	2	
R6181	D0GD100JA036	M 10 OHM,J,0.25W	1	
R6182,83	ERJ6GEYJ103	M 10KOHM,J,1/10W	2	
R6191-94	ERJ6GEYJ101	M 100 OHM,J,1/10W	4	
R6195	D0GD104JA036	M 100KOHM,J,0.25W	1	
R6196	ERJ6GEYJ104	M 100KOHM,J,1/10W	1	
R6213	ERJ6GEYJ101	M 100 OHM,J,1/10W	1	
R6214	D0GD151JA036	M 150 OHM,J,0.25W	1	
R6222	ERG1FJS103D	M 10KOHM, J, 1W	1	
R6223	ERG2FJS123D	M 12KOHM, J, 2W	1	
R6225	D0GD203JA036	M 20KOHM,J,0.25W	1	PAVCCZ
R6226,27	ERJ6GEYJ163	M 16KOHM,J,1/10W	2	
R6228	ERJ6GEYJ562	M 5.6KOHM,J,1/10W	1	
R6229	ERJ6GEYJ163	M 16KOHM,J,1/10W	1	
R6231	ERJ6GEYOR00	M 0 OHM, 1/10W	1	
R6232	ERJ6ENF1201	M 1.2KOHM, 1/10W	1	
R6241	EXB38V470J	RESISTOR ARRAY	1	

Ref. No.	Part No.	Part Name & Description	Pcs	Remarks
R6242	EXB38V472J	RESISTOR ARRAY	1	
R6243	ERJ6GEYJ470	M 47 OHM,J,1/10W	1	
R6244	ERJ6GEYJ472	M 4.7KOHM,J,1/10W	1	
R6245	ERJ6GEYJ470	M 47 OHM,J,1/10W	1	
R6246	ERJ6GEYJ472	M 4.7KOHM,J,1/10W	1	
R6251	D0GD103JA036	M 10KOHM,J,0.25W	1	
R6252,53	ERJ6ENF3902	M 39KOHM, 1/10W	2	
R6254	ERJ6ENF8201	M 8.2KOHM, 1/10W	1	
R6255	ERJ6ENF1201	M 1.2KOHM, 1/10W	1	
R6256	ERJ6ENF1501	M 1.5KOHM, 1/10W	1	
R6257	ERJ6GEYJ103	M 10KOHM,J,1/10W	1	
R6258	ERJ6GEYJ222	M 2.2KOHM,J,1/10W	1	
R6261	ERJ6GEYJ104	M 100KOHM,J,1/10W	1	
R6401-06	ERJ14YJ150U	M 15 OHM, J,1/4W	6	
R6421-26	ERJ14YJ150U	M 15 OHM, J,1/4W	6	
R6441-44	ERJ14YJ100	M 10 OHM, J,1/4W	4	
R6451-54	ERJ14YJ100	M 10 OHM, J,1/4W	4	
R6465	ERJ6ENF2702	M 27KOHM, 1/10W	1	
R6466	ERJ6ENF5602	M 56KOHM, 1/10W	1	
R6467,68	ERJ6ENF8202	M 82KOHM, 1/10W	2	
R6471	ERJ6GEYJ392	M 3.9KOHM,J,1/10W	1	
R6472	ERJ6GEYJ222	M 2.2KOHM,J,1/10W	1	
R6473	ERJ6GEYJ561	M 560 OHM,J,1/10W	1	
R6474	ERJ6GEYJ102	M 1KOHM,J,1/10W	1	
R6475,76	ERJ6GEYJ472	M 4.7KOHM,J,1/10W	2	
R6477	ERJ6GEYJ102	M 1KOHM,J,1/10W	1	
R6478	ERJ6GEYJ472	M 4.7KOHM,J,1/10W	1	
R6479	ERJ6GEYJ104	M 100KOHM,J,1/10W	1	
R6501,02	ERJ6GEYJ101	M 100 OHM,J,1/10W	2	
R6503	D0GD100JA036	M 10 OHM,J,0.25W	1	
R6504,05	ERJ6GEYJ151	M 150 OHM,J,1/10W	2	
R6506	D0GD100JA036	M 10 OHM,J,0.25W	1	
R6507-09	DOGF1R0JA047	M 1.0 OHM,J, 0.33W	3	
R6511,12	ERJ6GEYJ103	M 10KOHM,J,1/10W	2	
R6516,17	ERJ6GEYJ103	M 10KOHM,J,1/10W	2	
R6521,22	ERJ6GEYJ101	M 100 OHM,J,1/10W	2	
R6523,24	ERJ6GEYJ151	M 150 OHM,J,1/10W	2	
R6525,26	ERJ6GEY0R00	M 0 OHM, 1/10W	2	
R6531	D0GD100JA036	M 10 OHM,J,0.25W	1	
R6532,33	ERJ6GEYJ103	M 10KOHM,J,1/10W	2	
R6551	D0GD100JA036	M 10 OHM,J,0.25W	1	
R6552,53	ERJ6GEYJ103	M 10KOHM,J,1/10W	2	
R6561-64	EXB38V470J	RESISTOR ARRAY	4	
R6565-68	EXB38V472J	RESISTOR ARRAY	4	
R6581	D0GD103JA036	M 10KOHM,J,0.25W	1	
R6582,83	ERJ6ENF3902	M 39KOHM, 1/10W	2	
R6584	ERJ6ENF1002	M 10KOHM, 1/10W	1	
R6585	ERJ6ENF1201	M 1.2KOHM, 1/10W	1	
R6586	ERJ6ENF1801	M 1.8KOHM, 1/10W	1	
R6587	ERJ6GEYJ222	M 2.2KOHM,J,1/10W	1	
R6588	ERJ6GEYJ103	M 10KOHM,J,1/10W	1	
R6590	ERJ6GEYJ221	M 220 OHM,J,1/10W	1	
R6591	EXB38V472J	RESISTOR ARRAY	1	
R6592	ERJ6GEYJ472	M 4.7KOHM,J,1/10W	1	
R6603	ERJ6GEYJ101	M 100 OHM,J,1/10W	1	
R6604	D0GD151JA036	M 150 OHM,J,0.25W	1	
R6605	ERJ6GEYJ104	M 100KOHM,J,1/10W	1	

Ref. No.	Part No.	Part Name & Description	Pcs	Remarks
R6606	ERJ6GEY0R00	M 0 OHM, 1/10W	1	
R6607	ERJ6ENF5601	M 5.6KOHM, 1/10W	1	
R6608,09	DOGF102JA047	M 1.0 KOHM,J,0.33W	2	
R6610	ERJ6GEYJ104	M 100KOHM,J,1/10W	1	
R6611	ERJ6GEYJ105	M 1MOHM,J,1/10W	1	
R6612	ERJ6GEYJ470	M 47 OHM,J,1/10W	1	
R6613	ERJ6GEYJ105	M 1MOHM,J,1/10W	1	
R6614,15	DOGF243JA047	M 24 KOHM,J,0.33W	2	
R6616	ERJ6ENF1502	M 15KOHM, 1/10W	1	
R6617	ERJ6GEYJ105	M 1MOHM,J,1/10W	1	
R6618	ERJ6ENF1202	M 12KOHM, 1/10W	1	
R6619	ERJ6ENF1501	M 1.5KOHM, 1/10W	1	
R6620	D0D28R2JA021	M 8.2 OHM,J,5W	1	
R6621	ERJ6GEYJ221	M 220 OHM,J,1/10W	1	
R6641,42	ERJ6GEYJ100	M 10 OHM,J,1/10W	2	
R6644,45	ERJ6GEYJ100	M 10 OHM,J,1/10W	2	
R6647,48	ERJ6GEYJ100	M 10 OHM,J,1/10W	2	
R6658	D0D1101JA009	M 100 OHM,J,1W	1	
R6659,60	ERJ6GEYJ224	M 220KOHM,J,1/10W	2	
R6661	ERJ6GEYJ104	M 100KOHM,J,1/10W	1	
R6662	ERJ6ENF3001	M 3KOHM, 1/10W	1	
R6663	ERJ6GEYJ103	M 10KOHM,J,1/10W	1	
R6664	DOGF222JA047	M 2.2 KOHM,J,0.33W	1	
R6665	ERJ14YJ470	M 47 OHM, J, 1/2W	1	
R6666	ERJ6GEYJ104	M 100KOHM,J,1/10W	1	
R6667,68	ERJ6GEYJ472	M 4.7KOHM,J,1/10W	2	
R6671	ERJ6GEYJ470	M 47 OHM,J,1/10W	1	
R6672	ERJ6GEYJ103	M 10KOHM,J,1/10W	1	
R6673,74	DOGD5R6JA059	M 5.6 OHM,J,0.25W	2	
R6682	ERJ6GEYJ101	M 100 OHM,J,1/10W	1	
R6683	D0GD151JA036	M 150 OHM,J,0.25W	1	
R6684	ERJ6GEYJ100	M 10 OHM,J,1/10W	1	
R6685	ERJ6GEYJ471	M 470 OHM,J,1/10W	1	
R6686	ERJ6GEYJ103	M 10KOHM,J,1/10W	1	
R6687	ERJ6GEYJ222	M 2.2KOHM,J,1/10W	1	
R6688	ERJ6GEYJ472	M 4.7KOHM,J,1/10W	1	
R6689	ERJ6GEYJ100	M 10 OHM,J,1/10W	1	
R6690	ERJ6GEYJ151	M 150 OHM,J,1/10W	1	
R6691	ERJ6GEYJ103	M 10KOHM,J,1/10W	1	
R6696,97	D0D32R2JA020	M 2.2 OHM,J,5W	2	
R6700-08	ERJ6GEYJ471	M 470 OHM,J,1/10W	9	
R6710-18	ERJ6GEYJ222	M 2.2KOHM,J,1/10W	9	
R6721,22	EXB38V220J	RESISTOR ARRAY	2	
R6723	ERJ6GEYJ222	M 2.2KOHM,J,1/10W	1	
R6724	ERJ6GEYJ101	M 100 OHM,J,1/10W	1	
R6742	ERJ6GEYJ103	M 10KOHM,J,1/10W	1	
R6743	ERJ6GEYJ102	M 1KOHM,J,1/10W	1	
R6744	ERJ6GEYJ103	M 10KOHM,J,1/10W	1	
R6745	ERJ6GEYJ472	M 4.7KOHM,J,1/10W	1	
R6746,47	D0GD103JA036	M 10KOHM,J,0.25W	2	
R6755	ERJ6GEYJ101	M 100 OHM,J,1/10W	1	
R6756-58	D0GD101JA059	M 100 OHM,J,0.25W	3	
R6759	ERJ6GEYJ472	M 4.7KOHM,J,1/10W	1	
R6760	ERJ6GEYJ122	M 1.2KOHM,J,1/10W	1	
R6761	ERJ6GEYJ100	M 10 OHM,J,1/10W	1	
R6762	ERJ6GEYJ103	M 10KOHM,J,1/10W	1	
R6775,76	ERJ6GEYJ101	M 100 OHM,J,1/10W	2	
R6777	D0GD151JA036	M 150 OHM,J,0.25W	1	
R6781	ERJ6GEYJ470	M 47 OHM,J,1/10W	1	
R6782	ERJ6GEYJ103	M 10KOHM,J,1/10W	1	
R6791	ERJ6GEYJ102	M 1KOHM,J,1/10W	1	

Ref. No.	Part No.	Part Name & Description	Pcs	Remarks
R6792	ERJ6GEYJ103	M 10KOHM,J,1/10W	1	
R6793	ERJ6GEYJ101	M 100 OHM,J,1/10W	1	
R6801,02	ERX1FJSR22D	M0.22 OHM, J, 1W	2	
R6806	ERJ6GEYJ103	M 10KOHM,J,1/10W	1	
R6807	ERJ6GEYJ332	M 3.3KOHM,J,1/10W	1	
R6808	ERG3FJS560D	M 56 OHM, J, 3W	1	
R6809	ERJ6GEYJ103	M 10KOHM,J,1/10W	1	
R6810,11	ERJ6GEYJ473	M 47KOHM,J,1/10W	2	
R6812	ERJ6ENF2403	M 240KOHM, 1/10W	1	
R6813	ERJ6ENF1002	M 10KOHM, 1/10W	1	
R6814	ERJ6ENF5601	M 5.6KOHM, 1/10W	1	
R6815	ERG2FJS183D	M 18KOHM, J, 2W	1	
R6816	ERJ6ENF1582	M15.8KOHM, 1/10W	1	
R6817	ERJ6ENF2701	M 2.7KOHM, 1/10W	1	
R6821	ERG2FJS221D	M 220 OHM, J, 2W	1	
R6822	ERJ12YJ104U	M 100KOHM, 1/2W	1	
R6823	ERGLFJS104D	M 100KOHM, J, 1W	1	
R6824	ERJ6GEYJ562	M 5.6KOHM,J,1/10W	1	
R6825,26	ERJ6ENF2703	M 270KOHM, 1/10W	2	
R6827	ERJ6GEY0R00	M 0 OHM, 1/10W	1	
R6828	ERJ6ENF5231	M5.23KOHM, 1/10W	1	
R6829,30	ERJ6GEYJ224	M 220KOHM,J,1/10W	2	
R6831	ERJ6GEYJ153	M 15KOHM,J,1/10W	1	
R6833-35	ERJ6ENF5602	M 56KOHM, 1/10W	3	
R6836	ERJ6ENF6802	M 68KOHM, 1/10W	1	
R6837	ERJ6ENF4702	M 47KOHM, 1/10W	1	
R6839	ERJ6GEYJ472	M 4.7KOHM,J,1/10W	1	
R6841	ERJ12YJ153U	M 15KOHM, 1/2W	1	
R6842	ERJ14YJ433U	M 43KOHM, 1/2W	1	
R6843	ERJ6GEYJ623	M 62KOHM,J,1/10W	1	
R6844	ERG2FJS101D	M 100 OHM, J, 2W	1	
R6845	ERJ6GEYJ623	M 62KOHM,J,1/10W	1	
R6846,47	ERJ6GEYJ563	M 56KOHM,J,1/10W	2	
R6848	ERJ6GEYJ103	M 10KOHM,J,1/10W	1	
R6849,50	ERJ6ENF6802	M 68KOHM, 1/10W	2	
R6851	ERJ6ENF1201	M 1.2KOHM, 1/10W	1	
R6852	ERJ6ENF2491	M2.49KOHM, 1/10W	1	
R6853	ERJ6GEYJ101	M 100 OHM,J,1/10W	1	
R6860	D0D28R2JA021	M 8.2 OHM,J,5W	1	
R6861	ERJ6ENF3902	M 39KOHM, 1/10W	1	
R6862,63	ERJ6ENF4702	M 47KOHM, 1/10W	2	
R6864	ERJ6ENF9101	M 9.1KOHM, 1/10W	1	
R6865,66	ERJ6ENF2201	M 2.2KOHM, 1/10W	2	
R6867	ERJ6GEYJ392	M 3.9KOHM,J,1/10W	1	
R6868	ERJ6GEYJ223	M 22KOHM,J,1/10W	1	
R6869	ERJ6GEYJ472	M 4.7KOHM,J,1/10W	1	
R6871-73	ERJ6ENF3902	M 39KOHM, 1/10W	3	
R6874	ERJ6ENF8201	M 8.2KOHM, 1/10W	1	
R6875	ERJ6ENF3301	M 3.3KOHM, 1/10W	1	
R6876	ERJ6ENF1201	M 1.2KOHM, 1/10W	1	
R6877	ERJ6GEYJ392	M 3.9KOHM,J,1/10W	1	
R6878	ERJ6GEYJ223	M 22KOHM,J,1/10W	1	
R6879	ERJ6GEYJ472	M 4.7KOHM,J,1/10W	1	
R6886-88	ERJ6GEYJ224	M 220KOHM,J,1/10W	3	
R6901	ERJ6GEYJ101	M 100 OHM,J,1/10W	1	
R6902-04	ERJ3GEYJ220	M 22 OHM,J,1/16W	3	
R6908,09	ERJ6GEYJ221	M 220 OHM,J,1/10W	2	
R6916,17	ERJ6GEYJ221	M 220 OHM,J,1/10W	2	
R6924	ERJ6GEYJ221	M 220 OHM,J,1/10W	1	
R6931-34	ERJ6GEYJ103	M 10KOHM,J,1/10W	4	

Ref. No.	Part No.	Part Name & Description	Pcs	Remarks
R6935,36	ERJ8GEYJ224	M 220KOHM, J,1/8W	2	
R6951	ERJ6GEYJ101	M 100 OHM,J,1/10W	1	
R6952-54	ERJ3GEYJ220	M 22 OHM,J,1/16W	3	
R6958,59	ERJ6GEYJ221	M 220 OHM,J,1/10W	2	
R6966,67	ERJ6GEYJ221	M 220 OHM,J,1/10W	2	
R6974	ERJ6GEYJ221	M 220 OHM,J,1/10W	1	
R6981-84	ERJ6GEYJ103	M 10KOHM,J,1/10W	4	
R6985,86	ERJ8GEYJ224	M 220KOHM, J,1/8W	2	
R7112	ERJ6GEYJ102	M 1KOHM,J,1/10W	1	
R7113,14	ERJ3GEYJ220	M 22 OHM,J,1/16W	2	
R7115	ERJ3GEYJ223	M 22KOHM,J,1/16W	1	
R7116	ERJ3GEYJ104	M 100KOHM,J,1/16W	1	
R7118,19	ERJ3GEYJ220	M 22 OHM,J,1/16W	2	
R7120	ERJ3GEYJ470	M 47 OHM,J,1/16W	1	
R7122-25	ERJ12YJ6R8U	M 6.8 OHM, J,1/2W	4	
R7126	ERJ6GEYJ224	M 220KOHM,J,1/10W	1	
R7127,28	ERJ3GEYJ470	M 47 OHM,J,1/16W	2	
R7132-37	EXB38V470J	RESISTOR ARRAY	6	
R7139,40	ERJ3GEYJ470	M 47 OHM,J,1/16W	2	
R7142-45	ERJ12YJ6R8U	M 6.8 OHM, J,1/2W	4	
R7146	ERJ3GEYJ470	M 47 OHM,J,1/16W	1	
R7149	ERJ3GEYJ470	M 47 OHM,J,1/16W	1	
R7151-54	ERJ12YJ6R8U	M 6.8 OHM, J,1/2W	4	
R7155	EXB38V102J	RESISTOR ARRAY	1	
R7156	ERJ3GEYJ470	M 47 OHM,J,1/16W	1	
R7158,59	EXB38V470J	RESISTOR ARRAY	2	
R7162-67	EXB38V102J	RESISTOR ARRAY	6	
R7169	ERJ3GEYJ470	M 47 OHM,J,1/16W	1	
R7171-74	ERJ12YJ6R8U	M 6.8 OHM, J,1/2W	4	
R7175	ERJ3GEYJ470	M 47 OHM,J,1/16W	1	
R7177	EXB38V102J	RESISTOR ARRAY	1	
R7179,80	ERJ3GEY0R00	M 0 OHM, 1/16W	2	
R7186,87	EXB38V470J	RESISTOR ARRAY	2	
R7201-07	EXB38V470J	RESISTOR ARRAY	7	
R7208-10	ERJ3GEYJ470	M 47 OHM,J,1/16W	3	
R7212-15	ERJ12YJ6R8U	M 6.8 OHM, J,1/2W	4	
R7216	EXB38V470J	RESISTOR ARRAY	1	
R7217	ERJ3GEYJ470	M 47 OHM,J,1/16W	1	
R7219	ERJ6GEYJ224	M 220KOHM,J,1/10W	1	
R7221	ERJ3GEYJ470	M 47 OHM,J,1/16W	1	
R7223-26	ERJ12YJ6R8U	M 6.8 OHM, J,1/2W	4	
R7227	ERJ3GEYJ470	M 47 OHM,J,1/16W	1	
R7229	ERJ6GEY0R00	M 0 OHM, 1/10W	1	
R7231	ERJ3GEYJ470	M 47 OHM,J,1/16W	1	
R7232-35	ERJ12YJ6R8U	M 6.8 OHM, J,1/2W	4	
R7236	ERJ3GEYJ470	M 47 OHM,J,1/16W	1	
R7237-42	EXB38V102J	RESISTOR ARRAY	6	
R7245	EXB38V102J	RESISTOR ARRAY	1	
R7246-49	ERJ3GEYJ220	M 22 OHM,J,1/16W	4	
R7250,51	EXB38V470J	RESISTOR ARRAY	2	

Ref. No.	Part No.	Part Name & Description	Pcs	Remarks
R7256,57	ERJ3GEY0R00	M 0 OHM, 1/16W	2	
R7258	EXB38V102J	RESISTOR ARRAY	1	
R7260	ERJ3GEYJ470	M 47 OHM, J, 1/16W	1	
R7262-65	ERJ12YJ6R8U	M 6.8 OHM, J, 1/2W	4	
R7266	ERJ3GEYJ470	M 47 OHM, J, 1/16W	1	
R7269	ERJ6GEYJ102	M 1KOHM, J, 1/10W	1	
R7270	ERJ3GEYJ223	M 22KOHM, J, 1/16W	1	
R7271	ERJ3GEYJ104	M 100KOHM, J, 1/16W	1	
R8001	ERJ2GEJ103	M 10KOHM, J, 0.063W	1	
R8002	ERJ2GEJ272	M 2.7KOHM, J, 0.063W	1	
R8003,04	ERJ2GEJ181	M 180 OHM, J, 0.063W	2	
R8006	ERJ8GEY0R00	M 0 OHM, 1/8W	1	
R8008	ERJ2GEJ102	M 1KOHM, J, 0.063W	1	
R8010-12	ERJ2GEJ103	M 10KOHM, J, 0.063W	3	
R8014,15	ERJ2GEJ103	M 10KOHM, J, 0.063W	2	
R8017,18	ERJ3GEY0R00	M 0 OHM, 1/16W	2	
R8020-22	ERJ2GEJ103	M 10KOHM, J, 0.063W	3	
R8027	DIHG5608A002	NETWORK RESISTER	1	
R8028-30	ERJ2GEJ560	M 56 OHM, J, 0.063W	3	
R8033	ERJ2GEJ472	M 4.7KOHM, J, 0.063W	1	
R8034,35	ERJ3GEY0R00	M 0 OHM, 1/16W	2	
R8036	ERJ3GEYJ163	M 16KOHM, J, 1/16W	1	
R8038	ERJ2GEJ560	M 56 OHM, J, 0.063W	1	
R8039,40	ERJ2GEJ472	M 4.7KOHM, J, 0.063W	2	
R8041	ERJ2GEJ154	M 150KOHM, J, 0.063W	1	
R8046	ERJ2GEJ330	M 33 OHM, J, 0.063W	1	
R8047-50	ERJ2GEJ101	M 100 OHM, J, 0.063W	4	
R8051	EXB38V330J	RESISTOR ARRAY	1	
R8052-55	ERJ2GEJ103	M 10KOHM, J, 0.063W	4	
R8056	ERJ2GEJ330	M 33 OHM, J, 0.063W	1	
R8057	ERJ2GEJ680	M 68 OHM, J, 0.063W	1	
R8058	EXB38V330J	RESISTOR ARRAY	1	
R8059	ERJ2GEJ103	M 10KOHM, J, 0.063W	1	
R8073	ERJ2GEJ105	M 1MOHM, J, 0.063W	1	
R8074,75	ERJ2GEJ181	M 180 OHM, J, 0.063W	2	
R8076	ERJ2GEJ103	M 10KOHM, J, 0.063W	1	
R8078	ERJ2GEJ562	M 5.6KOHM, J, 0.063W	1	
R8079	ERJ2GEJ473	M 47KOHM, J, 0.063W	1	
R8084,85	DIHG1218A002	NETWORK RESISTER	2	
R8086-88	ERJ2GEJ560	M 56 OHM, J, 0.063W	3	
R8101	ERJ3GEYF181	M 180 OHM, J, 1/16W	1	PAVCCZ
R8104	ERJ2GEJ560	M 56 OHM, J, 0.063W	1	
R8106,07	ERJ2GEJ103	M 10KOHM, J, 0.063W	2	
R8108	ERJ3EKF1002	M 10KOHM, 1/16W	1	
R8109	ERJ3EKF2202	M 22KOHM, 1/16W	1	
R8110	ERJ3EKF1501	M 1.5KOHM, 1/16W	1	
R8111	ERJ2GE0R00	M 0.0 OHM, J, 0.063W	1	
R8112,13	ERJ3GEY0R00	M 0 OHM, 1/16W	2	
R8115	ERJ3GEYF272	M 2.7KOHM, 1/16W	1	
R8117	ERJ6GEYJ471	M 470 OHM, J, 1/10W	1	
R8123	ERJ3GEY0R00	M 0 OHM, 1/16W	1	
R8124	ERJ2GEJ471	M 470 OHM, J, 0.063W	1	
R8127	ERJ2GE0R00	M 0.0 OHM, J, 0.063W	1	
R8132,33	ERJ2GEJ560	M 56 OHM, J, 0.063W	2	

Ref. No.	Part No.	Part Name & Description	Pcs	Remarks
R8136	ERJ2GEJ103	M 10KOHM, J, 0.063W	1	
R8137	ERJ2GEJ121	M 120 OHM, J, 0.063W	1	
R8140,41	ERJ3EKF1001	M 1KOHM, 1/16W	2	
R8144,45	DIHG5608A002	NETWORK RESISTER	2	
R8148,49	DIHG3908A002	NETWORK RESISTER	2	
R8150-59	ERJ2GEJ390	M 39 OHM, J, 0.063W	10	
R8161,62	ERJ2GEJ390	M 39 OHM, J, 0.063W	2	
R8163	ERJ2GEJ560	M 56 OHM, J, 0.063W	1	
R8165	ERJ2GEJ560	M 56 OHM, J, 0.063W	1	
R8167-71	ERJ2GEJ103	M 10KOHM, J, 0.063W	5	
R8172	ERJ2GEJ473	M 47KOHM, J, 0.063W	1	
R8173	EXB38V560J	RESISTOR ARRAY	1	
R8175,76	ERJ2GEJ103	M 10KOHM, J, 0.063W	2	
R8183	ERJ2GE0R00	M 0.0 OHM, J, 0.063W	1	
R8184	ERJ2GEJ223	M 22KOHM, J, 0.063W	1	
R8187	ERJ2GEJ103	M 10KOHM, J, 0.063W	1	
R8188	ERJ3GEY0R00	M 0 OHM, 1/16W	1	
R8193	ERJ2GEJ103	M 10KOHM, J, 0.063W	1	
R8195,96	ERJ2GEJ103	M 10KOHM, J, 0.063W	2	
R8201-04	ERJ2GEJ103	M 10KOHM, J, 0.063W	4	
R8215	ERJ2GEJ103	M 10KOHM, J, 0.063W	1	
R8216,17	ERJ2GEJ560	M 56 OHM, J, 0.063W	2	
R8218,19	DIHG33080001	NETWORK RESISTER	2	
R8220-22	DIHG5608A002	NETWORK RESISTER	3	
R8223	ERJ2GEJ560	M 56 OHM, J, 0.063W	1	
R8224,25	ERJ2GEJ103	M 10KOHM, J, 0.063W	2	
R8226	ERJ2GEJ330	M 33 OHM, J, 0.063W	1	
R8232-43	ERJ2GEJ330	M 33 OHM, J, 0.063W	12	
R8244	ERJ2GEJ103	M 10KOHM, J, 0.063W	1	
R8245,46	ERJ2GEJ330	M 33 OHM, J, 0.063W	2	
R8250	ERJ2GEJ103	M 10KOHM, J, 0.063W	1	
R8252-54	ERJ2GEJ330	M 33 OHM, J, 0.063W	3	
R8255	ERJ2GEJ103	M 10KOHM, J, 0.063W	1	
R8256	ERJ2GEJ472	M 4.7KOHM, J, 0.063W	1	
R8257	ERJ2GEJ103	M 10KOHM, J, 0.063W	1	
R8259	ERJ2GEJ103	M 10KOHM, J, 0.063W	1	
R8260-63	ERJ2GEJ560	M 56 OHM, J, 0.063W	4	
R8264-68	ERJ2GEJ103	M 10KOHM, J, 0.063W	5	
R8269	ERJ2GEJ560	M 56 OHM, J, 0.063W	1	
R8271	ERJ2GEJ560	M 56 OHM, J, 0.063W	1	
R8272	EXB38V560J	RESISTOR ARRAY	1	
R8273	ERJ2GEJ560	M 56 OHM, J, 0.063W	1	
R8275	ERJ2GEJ560	M 56 OHM, J, 0.063W	1	
R8277	ERJ2GEJ560	M 56 OHM, J, 0.063W	1	
R8279	ERJ2GE0R00	M 0.0 OHM, J, 0.063W	1	
R8282	ERJ2GEJ560	M 56 OHM, J, 0.063W	1	
R8284	ERJ2GEJ560	M 56 OHM, J, 0.063W	1	
R8286,87	ERJ2GEJ560	M 56 OHM, J, 0.063W	2	
R8290	EXB38V560J	RESISTOR ARRAY	1	
R8291,92	ERJ2GEJ560	M 56 OHM, J, 0.063W	2	
R8310-15	ERJ3EKF75R0	M 0.75HM, 1/16W	6	
R8319	ERJ3EKF2702V	M 27.0KOHM, 1/16W	1	
R8320	ERJ3EKF1002	M 10KOHM, 1/16W	1	

Ref. No.	Part No.	Part Name & Description	Pcs	Remarks
R8321	ERJ3EKF8201	M 8.2KOHM, 1/16W	1	
R8349	ERJ2GEJ104	M 100KOHM, J,0.063W	1	
R8350	ERJ3EKF8201	M 8.2KOHM, 1/16W	1	
R8351	ERJ3EKF1002	M 10KOHM, 1/16W	1	
R8352	ERJ3EKF2702V	M27.0KOHM, 1/16W	1	
R8353	ERJ2GEJ332	M 3.3KOHM, J,0.063W	1	
R8354	ERJ2GEJ272	M 2.7KOHM, J,0.063W	1	
R8355,56	EXB2HV104JV	RESISTOR ARRAY	2	
R8357,58	ERJ2GEJ473	M 47KOHM, J,0.063W	2	
R8366	ERJ2GEJ103	M 10KOHM, J,0.063W	1	
R8367,68	ERJ2GEJ560	M 56 OHM, J,0.063W	2	
R8372-76	ERJ2GEJ560	M 56 OHM, J,0.063W	5	
R8401	ERJ8GEY0R00	M 0 OHM, 1/8W	1	
R8402	ERJ6GEY0R00	M 0 OHM, 1/10W	1	
R8403	ERJ2GE0R00	M 0.0 OHM, J,0.063W	1	
R8404,05	ERJ2GEJ103	M 10KOHM, J,0.063W	2	
R8406	ERJ8RSJR10	M 1 OHM, 1/8W	1	
R8407	ERJ2GEJ333	M 33KOHM, J,0.063W	1	
R8414	ERJ2GE0R00	M 0.0 OHM, J,0.063W	1	
R8415,16	ERJ2GEJ223	M 22KOHM, J,0.063W	2	
R8417,18	EXB38V473J	RESISTOR ARRAY	2	
R8419,20	EXB38V101J	RESISTOR ARRAY	2	
R8421	ERJ2GEJ223	M 22KOHM, J,0.063W	1	
R8422	ERJ2GEJ104	M 100KOHM, J,0.063W	1	
R8423	ERJ2GEJ821	M 820 OHM, J,0.063W	1	
R8425,26	EXB38V101J	RESISTOR ARRAY	2	
R8427-31	ERJ2GEJ560	M 56 OHM, J,0.063W	5	
R8433,34	EXB38V560J	RESISTOR ARRAY	2	
R8443	EXB38V560J	RESISTOR ARRAY	1	
R8444	ERJ2GEJ101	M 100 OHM, J,0.063W	1	
R8445,46	ERJ2GEJ151	M 150 OHM, J,0.063W	2	
R8447	ERJ2GEJ223	M 22KOHM, J,0.063W	1	
R8448	ERJ2GEJ473	M 47KOHM, J,0.063W	1	
R8449,50	ERJ2GEJ103	M 10KOHM, J,0.063W	2	
R8451	EXB38V104J	RESISTOR ARRAY	1	
R8452	ERJ2GEJ104	M 100KOHM, J,0.063W	1	
R8453	EXB38V104J	RESISTOR ARRAY	1	
R8454	ERJ2GEJ104	M 100KOHM, J,0.063W	1	
R8456-59	EXB38V560J	RESISTOR ARRAY	4	
R8460	ERJ2GEJ104	M 100KOHM, J,0.063W	1	
R8461	ERJ2GEJ560	M 56 OHM, J,0.063W	1	
R8462,63	ERJ2GE0R00	M 0.0 OHM, J,0.063W	2	
R8464	ERJ2GEJ560	M 56 OHM, J,0.063W	1	
R8465	ERJ2GEJ103	M 10KOHM, J,0.063W	1	
R8466	EXB38V560J	RESISTOR ARRAY	1	
R8467,68	ERJ2GEJ560	M 56 OHM, J,0.063W	2	
R8469	EXB38V151J	RESISTOR ARRAY	1	
R8474	ERJ2GE0R00	M 0.0 OHM, J,0.063W	1	
R8475,76	ERJ2GEJ103	M 10KOHM, J,0.063W	2	

Ref. No.	Part No.	Part Name & Description	Pcs	Remarks
R8477,78	ERJ2GEJ560	M 56 OHM, J,0.063W	2	
R8479	ERJ2GEJ203	M 20KOHM, J,0.063W	1	
R8480-82	ERJ2GEJ560	M 56 OHM, J,0.063W	3	
R8483	ERJ2GEJ203	M 20KOHM, J,0.063W	1	
R8484	ERJ2GEJ223	M 22KOHM, J,0.063W	1	
R8485	ERJ2GEJ333	M 33KOHM, J,0.063W	1	
R8486	ERJ2GEJ223	M 22KOHM, J,0.063W	1	
R8487	ERJ2GEJ560	M 56 OHM, J,0.063W	1	
R8488	ERJ2GE0R00	M 0.0 OHM, J,0.063W	1	
R8489	ERJ2GEJ102	M 1KOHM, J,0.063W	1	
R8491	ERJ3EKF9102	M91.0KOHM, 1/16W	1	
R8492	ERJ3EKF1802	M 18KOHM, 1/16W	1	
R8493	ERJ3EKF9102	M91.0KOHM, 1/16W	1	
R8494	ERJ3EKF9101	M 9.1KOHM, 1/16W	1	
R8495	EXB38V151J	RESISTOR ARRAY	1	
R8496	EXB38V560J	RESISTOR ARRAY	1	
R8497	ERJ3EKF3300	M 330 OHM, 1/16W	1	
R8498	ERJ3EKF2200	M 220 OHM, 1/16W	1	
R8499	ERJ3EKF2432	M24.3KOHM, 1/16W	1	
R8500	ERJ3EKF1052	M10.5KOHM, 1/16W	1	
R8501	ERJ3EKF5601	M 5.6KOHM, 1/16W	1	
R8502	ERJ3EKF2402	M 24KOHM, 1/16W	1	
R8503,04	ERJ2GEJ103	M 10KOHM, J,0.063W	2	
R8505	ERJ2GEJ101	M 100 OHM, J,0.063W	1	
R8538,39	ERJ2GEJ101	M 100 OHM, J,0.063W	2	
R8546	ERJ2GEJ333	M 33KOHM, J,0.063W	1	
R8547	ERJ2GEJ102	M 1KOHM, J,0.063W	1	
R8601	ERJ3GEY0R00	M 0 OHM, 1/16W	1	
R8602-04	ERJ2GEJ101	M 100 OHM, J,0.063W	3	
R8605,06	ERJ2GEJ104	M 100KOHM, J,0.063W	2	
R8608	ERJ2GEJ105	M 1MOHM, J,0.063W	1	
R8610	ERJ2GEJ332	M 3.3KOHM, J,0.063W	1	
R8611	ERJ6GEY0R00	M 0 OHM, 1/10W	1	
R8614	ERJ2GEJ221	M 220 OHM, J,0.063W	1	
R8615	ERJ2GE0R00	M 0.0 OHM, J,0.063W	1	
R8701-08	ERJ2GEJ560	M 56 OHM, J,0.063W	8	
R8729-36	ERJ2GEJ103	M 10KOHM, J,0.063W	8	
R8827,28	ERJ2GEJ392	M 3.9KOHM, J,0.063W	2	
R8831,32	ERJ2GE0R00	M 0.0 OHM, J,0.063W	2	
R8862-64	ERJ2GE0R00	M 0.0 OHM, J,0.063W	3	
R8899,00	ERJ2GE0R00	M 0.0 OHM, J,0.063W	2	
R8912	ERJ2GE0R00	M 0.0 OHM, J,0.063W	1	
R8927	ERJ2GE0R00	M 0.0 OHM, J,0.063W	1	
R8930	ERJ2GE0R00	M 0.0 OHM, J,0.063W	1	
R8931,32	ERJ2GEJ392	M 3.9KOHM, J,0.063W	2	
R8933,34	ERJ2GE0R00	M 0.0 OHM, J,0.063W	2	
R8936	ERJ2GEJ103	M 10KOHM, J,0.063W	1	
R8954	ERJ2GEJ103	M 10KOHM, J,0.063W	1	
R8960	ERJ2GE0R00	M 0.0 OHM, J,0.063W	1	
R8962-64	ERJ2GEJ101	M 100 OHM, J,0.063W	3	
R8967,68	EXB2HV473JV	RESISTOR ARRAY	2	PAVCCZ
R8969-71	ERJ2GEJ473	M 47KOHM, J,0.063W	3	

Ref. No.	Part No.	Part Name & Description	Pcs	Remarks
R9060-67	ERJ3GEYJ101	M 100 OHM,J,1/16W	8	
R9070	ERJ3GEYJ470	M 47 OHM,J,1/16W	1	
R9074	ERJ3GEYJ101	M 100 OHM,J,1/16W	1	
R9076	ERJ3GEYJ101	M 100 OHM,J,1/16W	1	
R9096	ERJ3GEYJ103	M 10KOHM,J,1/16W	1	
R9098	ERJ3GEYJ103	M 10KOHM,J,1/16W	1	
R9099	ERJ3GEYJ101	M 100 OHM,J,1/16W	1	
R9100,01	ERJ3GEYJ103	M 10KOHM,J,1/16W	2	
R9102	ERJ3GEYJ101	M 100 OHM,J,1/16W	1	
R9105	ERJ3GEYJ472	M 4.7KOHM,J,1/16W	1	
R9106	ERJ3GEYJ103	M 10KOHM,J,1/16W	1	
R9107	ERJ3GEYJ332	M 3.3KOHM,J,1/16W	1	
R9108,09	ERJ3GEYJ103	M 10KOHM,J,1/16W	2	
R9110	ERJ3GEYJ101	M 100 OHM,J,1/16W	1	
R9111	ERJ3GEYJ223	M 22KOHM,J,1/16W	1	
R9113	ERJ3GEYJ100	M 10 OHM,J,1/16W	1	
R9120	ERJ3GEYJ101	M 100 OHM,J,1/16W	1	
R9121	ERJ3GEYJ104	M 100KOHM,J,1/16W	1	
R9127	ERJ3GEYJ683	M 68KOHM,J,1/16W	1	
R9129	ERJ3GEYJ683	M 68KOHM,J,1/16W	1	
R9131-33	ERJ3GEYJ472	M 4.7KOHM,J,1/16W	3	
R9134	ERJ3GEYJ333	M 33KOHM,J,1/16W	1	
R9140	ERJ6GEY0R00	M 0 OHM, 1/10W	1	
R9141-45	ERJ3GEYJ101	M 100 OHM,J,1/16W	5	
R9148	ERJ3GEYJ103	M 10KOHM,J,1/16W	1	
R9149	ERJ3GEYJ472	M 4.7KOHM,J,1/16W	1	
R9150,51	ERJ3GEYJ220	M 22 OHM,J,1/16W	2	
R9152,53	ERJ3GEYJ472	M 4.7KOHM,J,1/16W	2	
R9154,55	ERJ3GEYJ562	M 5.6KOHM,J,1/16W	2	
R9156	ERJ3GEYJ103	M 10KOHM,J,1/16W	1	
R9158,59	ERJ3GEYJ103	M 10KOHM,J,1/16W	2	
R9160,61	ERJ3GEY0R00	M 0 OHM, 1/16W	2	
R9162	ERJ3GEYJ103	M 10KOHM,J,1/16W	1	
R9164-66	ERJ3GEYJ103	M 10KOHM,J,1/16W	3	
R9167,68	ERJ3GEYJ101	M 100 OHM,J,1/16W	2	
R9169	ERJ3GEYJ103	M 10KOHM,J,1/16W	1	
R9170-72	ERJ3GEYJ393	M 39KOHM,J,1/16W	3	
R9173-75	ERJ3GEYJ103	M 10KOHM,J,1/16W	3	
R9177	ERJ3GEYJ223	M 22KOHM,J,1/16W	1	
R9178	ERJ3GEYJ103	M 10KOHM,J,1/16W	1	
R9179	ERJ3GEYJ102	M 1KOHM,J,1/16W	1	
R9180	ERJ3GEYJ103	M 10KOHM,J,1/16W	1	
R9181-84	ERJ3GEYJ102	M 1KOHM,J,1/16W	4	
R9185,86	ERJ3GEYJ220	M 22 OHM,J,1/16W	2	
R9187,88	ERJ3GEYJ562	M 5.6KOHM,J,1/16W	2	
R9189,90	ERJ3GEYJ103	M 10KOHM,J,1/16W	2	
R9192	ERJ3GEY0R00	M 0 OHM, 1/16W	1	
R9193	ERJ3GEYJ103	M 10KOHM,J,1/16W	1	
R9194	ERJ3GEY0R00	M 0 OHM, 1/16W	1	
R9196	ERJ3GEYJ103	M 10KOHM,J,1/16W	1	
R9199	ERJ3GEYJ272	M 2.7KOHM,J,1/16W	1	
R9203	ERJ3GEYJ102	M 1KOHM,J,1/16W	1	
R9205	ERJ3GEYJ472	M 4.7KOHM,J,1/16W	1	
R9206,07	ERJ3GEYJ102	M 1KOHM,J,1/16W	2	
R9215	ERJ3GEYJ123	M 12KOHM,J,1/16W	1	
R9217-22	ERJ3GEYJ103	M 10KOHM,J,1/16W	6	
R9223	ERJ3GEYJ472	M 4.7KOHM,J,1/16W	1	

Ref. No.	Part No.	Part Name & Description	Pcs	Remarks
R9225	ERJ3GEYJ472	M 4.7KOHM,J,1/16W	1	
R9230	ERJ3GEY0R00	M 0 OHM, 1/16W	1	
R9232	ERJ3GEY0R00	M 0 OHM, 1/16W	1	
R9236	ERJ3GEY0R00	M 0 OHM, 1/16W	1	
R9237	ERJ3GEYJ103	M 10KOHM,J,1/16W	1	
R9240	ERJ3GEY0R00	M 0 OHM, 1/16W	1	
R9317	ERJ3GEYJ391	M 390 OHM,J,1/16W	1	
R9348	DIHG8208A002	NETWORK RESISTOR	1	
R9349	EXB38V820J	RESISTOR ARRAY	1	
R9350,51	ERJ3GEYJ220	M 22 OHM,J,1/16W	2	
R9352	EXB38V820J	RESISTOR ARRAY	1	
R9353,54	DIHG8208A002	NETWORK RESISTOR	2	
R9355,56	ERJ3GEYJ472	M 4.7KOHM,J,1/16W	2	
R9357-59	DIHG8208A002	NETWORK RESISTOR	3	
R9360	EXB38V820J	RESISTOR ARRAY	1	
R9361,62	ERJ3GEYJ220	M 22 OHM,J,1/16W	2	
R9363	EXB2HV470JV	RESISTOR ARRAY	1	
R9366	ERJ3GEYJ472	M 4.7KOHM,J,1/16W	1	
R9367	ERJ3GEYJ103	M 10KOHM,J,1/16W	1	
R9368	ERJ3GEYJ104	M 100KOHM,J,1/16W	1	
R9369	ERJ3GEYJ472	M 4.7KOHM,J,1/16W	1	
R9370	ERJ3GEYJ103	M 10KOHM,J,1/16W	1	
R9371	ERJ3GEYJ104	M 100KOHM,J,1/16W	1	
R9379	ERJ3GEY0R00	M 0 OHM, 1/16W	1	
R9380	ERJ3GEYJ560	M 56 OHM,J,1/16W	1	
R9382	ERJ3GEYJ103	M 10KOHM,J,1/16W	1	
R9390	ERJ3GEYJ101	M 100 OHM,J,1/16W	1	
R9391	ERJ3GEYJ104	M 100KOHM,J,1/16W	1	
R9394	ERJ3GEY0R00	M 0 OHM, 1/16W	1	
R9395	ERJ3GEYJ220	M 22 OHM,J,1/16W	1	
R9501	ERJ3GEYJ103	M 10KOHM,J,1/16W	1	
R9503	ERJ3GEYJ470	M 47 OHM,J,1/16W	1	
R9506	ERJ3GEYJ220	M 22 OHM,J,1/16W	1	
R9507	ERJ3GEY0R00	M 0 OHM, 1/16W	1	
R9511-13	ERJ3GEYJ470	M 47 OHM,J,1/16W	3	
R9514	ERJ3GEYJ103	M 10KOHM,J,1/16W	1	
R9516	ERJ3GEYJ103	M 10KOHM,J,1/16W	1	
R9518	ERJ3GEYJ561	M 560 OHM,J,1/16W	1	
R9523	ERJ3GEYJ103	M 10KOHM,J,1/16W	1	
R9525	ERJ3GEYJ103	M 10KOHM,J,1/16W	1	
R9526	ERJ3GEY0R00	M 0 OHM, 1/16W	1	
R9527,28	EXB2HV272JV	RESISTOR ARRAY	2	
R9529,30	ERJ3GEYJ103	M 10KOHM,J,1/16W	2	
R9531-33	ERJ3GEYJ470	M 47 OHM,J,1/16W	3	
R9534	EXB38V470J	RESISTOR ARRAY	1	
R9535,36	ERJ3GEYJ470	M 47 OHM,J,1/16W	2	
R9538	ERJ3GEYJ103	M 10KOHM,J,1/16W	1	
R9540	ERJ3GEYJ103	M 10KOHM,J,1/16W	1	
R9543,44	ERJ3GEYJ103	M 10KOHM,J,1/16W	2	
R9545	ERJ3GEYJ304V	M 300KOHM,J,1/16W	1	
R9548-50	ERJ3GEYJ103	M 10KOHM,J,1/16W	3	
R9552	ERJ3GEYJ103	M 10KOHM,J,1/16W	1	
R9555	ERJ3GEY0R00	M 0 OHM, 1/16W	1	
R9800	ERJ3EKF1302	M 23KOHM, 1/16W	1	
R9801	ERJ3EKF2402	M 24KOHM, 1/16W	1	
R9802	ERJ3EKF6202	M 62KOHM, 1/16W	1	
R9803	ERJ3GEY0R00	M 0 OHM, 1/16W	1	
R9804	ERJ3EKF2402	M 24KOHM, 1/16W	1	
R9805	ERJ3EKF3002	M 30KOHM, 1/16W	1	
R9806	ERJ3EKF3902	M 39KOHM, 1/16W	1	
R9807	ERJ3GEY0R00	M 0 OHM, 1/16W	1	
R9808	ERJ3GEYJ104	M 100KOHM,J,1/16W	1	
R9810	ERJ3EKF3001	M 3KOHM, 1/16W	1	

Ref. No.	Part No.	Part Name & Description	Pcs	Remarks
R9813	ERJ3EKF2401	M 2.4KOHM, 1/16W	1	
R9814	ERJ3EKF6802	M 68KOHM, 1/16W	1	
R9815	ERJ3EKF2202	M 22KOHM, 1/16W	1	
R9816	ERJ3EKF8202	M 82KOHM, 1/16W	1	
R9821	ERJ3GEYJ103	M 10KOHM,J,1/16W	1	
R9823-27	ERJ3GEYJ101	M 100 OHM,J,1/16W	5	
R9828	ERJ3GEYJ104	M 100KOHM,J,1/16W	1	
R9830,31	ERJ3GEYJ103	M 10KOHM,J,1/16W	2	
R9838,39	ERJ3GEYJ101	M 100 OHM,J,1/16W	2	
R9840	ERJ3GEYJ220	M 22 OHM,J,1/16W	1	
R9841	ERJ3GEY0R00	M 0 OHM, 1/16W	1	
R9842-44	ERJ3GEYJ101	M 100 OHM,J,1/16W	3	
R9845	ERJ3GEYJ562	M 5.6KOHM,J,1/16W	1	
R9846,47	EXB2HV272JV	RESISTOR ARRAY	2	
R9848,49	EXB2HV470JV	RESISTOR ARRAY	2	
R9850	ERJ3GEYJ473	M 47KOHM,J,1/16W	1	
R9854	ERJ3GEYJ101	M 100 OHM,J,1/16W	1	
R9859	EXB38V101J	RESISTOR ARRAY	1	
R9861-63	ERJ3GEYJ103	M 10KOHM,J,1/16W	3	
R9868	ERJ3GEYJ104	M 100KOHM,J,1/16W	1	
R9869-71	ERJ3GEYJ103	M 10KOHM,J,1/16W	3	
R9872	ERJ3GEY0R00	M 0 OHM, 1/16W	1	
R9878	ERJ3EKF3902	M 39KOHM, 1/16W	1	
R9879	ERJ3EKF2002	M 20KOHM, 1/16W	1	
R9880	ERJ3EKF3602	M 36KOHM, 1/16W	1	
R9883	ERJ3GEY0R00	M 0 OHM, 1/16W	1	
R9884	ERJ3GEYJ104	M 100KOHM,J,1/16W	1	
R9891	ERJ3EKF4702	M 47KOHM, 1/16W	1	
R9892	ERJ3EKF1502	M 15KOHM, 1/16W	1	
R9893	ERJ3EKF3602	M 36KOHM, 1/16W	1	
R9896	ERJ3GEY0R00	M 0 OHM, 1/16W	1	
R9897	ERJ3GEYJ104	M 100KOHM,J,1/16W	1	
R9903	EXB2HV470JV	RESISTOR ARRAY	1	
R9904	ERJ3GEYJ470	M 47 OHM,J,1/16W	1	
R9905	ERJ3GEYJ330	M 33 OHM,J,1/16W	1	
R9906	EXB38V470J	RESISTOR ARRAY	1	
R9907	ERJ3GEYJ151	M 150 OHM,J,1/16W	1	
R9917,18	ERJ3GEY0R00	M 0 OHM, 1/16W	2	
R9919,20	ERJ3GEYJ103	M 10KOHM,J,1/16W	2	
R9922	ERJ3GEY0R00	M 0 OHM, 1/16W	1	
R9929	ERJ3GEY0R00	M 0 OHM, 1/16W	1	
R9936-39	ERJ3EKF1001	M 1KOHM, 1/16W	4	
R9940	ERJ3GEYJ330	M 33 OHM,J,1/16W	1	
R9941,42	ERJ3GEYJ470	M 47 OHM,J,1/16W	2	
R9943-51	EXB38V470J	RESISTOR ARRAY	9	
R9952-55	ERJ3GEYJ470	M 47 OHM,J,1/16W	4	
R9956	ERJ3GEYJ103	M 10KOHM,J,1/16W	1	
RM2501	PNA4701M05TV	REMOCO RECEIVER	1	
RTL	TNPA3740AG	CIRCUIT BOARD XV	1	PAVCCZ △
RTL	TNPA3756CE	CIRCUIT BOARD DG	1	PAVCCZ △
RTL	TNPA3759AB	CIRCUIT BOARD H	1	PAVCCZ △
RTL	TNPA3766	CIRCUIT BOARD HC	1	PAVCCZ △
RTL	TNPA3767AC	CIRCUIT BOARD TA	1	PAVCCZ △
RTL	TNPA3761AC	CIRCUIT BOARD PA	1	△
RTL	TNPA3802AB	CIRCUIT BOARD C1	1	PAVCCZ △
RTL	TNPA3803AB	CIRCUIT BOARD C2	1	PAVCCZ △
RTL	TZTNP01BKTB	CIRCUIT BOARD D	1	PAVCCZ △
RTL	TNPA3912	CIRCUIT BOARD P	1	PAVCCZ △
RTL	TNPA3814AE	CIRCUIT BOARD SC	1	PAVCCZ △
RTL	TNPA3809AB	CIRCUIT BOARD SD	1	PAVCCZ △

Ref. No.	Part No.	Part Name & Description	Pcs	Remarks
RTL	TNPA3815AE	CIRCUIT BOARD SS	1	PAVCCZ △
RTL	TNPA3808AB	CIRCUIT BOARD SU	1	PAVCCZ △
RTL	TNPA3764AE	CIRCUIT BOARD G	1	PAVCCZ △
RTL	TNPA3848AD	CIRCUIT BOARD GK	1	△
RTL	TNPA3762AD	CIRCUIT BOARD K	1	PAVCCZ △
RTL	TNPA3763AC	CIRCUIT BOARD S	1	△
S1	K1KA03BA0061	3P CONNECTOR	1	
SC2	K1KA02A00626	2P CONNECTOR	1	
SC20	K1KA20AA0008	20P CONNECTOR	1	
SC23	K1KA03AA0193	3P CONNECTOR	1	
SC30	K1KA08AA0192	8P CONNECTOR	1	
SC41,42	K1ML80B00001	80P CONNECTOR	2	
SC45,46	K1KA09A00239	9P CONNECTOR	2	
SCMM1	TMME260	CLAMPER	1	
SCMM3	TMME260	CLAMPER	1	
SD1-D3	K1MNC0B00002	CONNECTOR	3	PAVCCZ
SD46	K1KB09A00045	9P CONNECTOR	1	
SS11	K1KA02A00626	2P CONNECTOR	1	
SS12	K1KA10AA0194	10P CONNECTOR	1	
SS23	K1KA12AA0194	12P CONNECTOR	1	
SS34	K1KA03AA0193	3P CONNECTOR	1	
SS41A-4A	K1MN13B00020	13P CONNECTOR	4	
SU1-U3	K1MNC0B00002	CONNECTOR	3	PAVCCZ
SU45	K1KB09A00045	9P CONNECTOR	1	
SW2500	K0F162B00002	SWITCH	1	
SW3753-57	EVQ11G05R	SWITCH	5	
T6602	ETS25AZ139AD	SWITCHING TRANS	1	
TA5	K1KB15B00013	15P CONNECTOR	1	
TA6	K1KB09B00019	9P CONNECTOR	1	
TU001	ENGF7302GF	TUNER	1	PAVCCZ △
TU8001	ENV57M01D8F	TUNER	1	PAVCCZ △
VR6000	EVMEASA00B14	CONTROL 10KOHMB 0.3W	1	
VR6600	EVMEASA00B13	CONTROL 1KOHMB 0.3W	1	
VR6602	EVMEASA00B53	CONTROL 5KOHMB 0.3W	1	
X1100	H0J100500030	CRYSTAL	1	
X1101	H0J327200114	CRYSTAL	1	
X2101	H0J184500027	CRYSTAL	1	
X4004	H0J270500087	CRYSTAL	1	
X8003	H0J241500003	CRYSTAL	1	PAVCCZ
X8006	H0J270500090	CRYSTAL	1	PAVCCZ
X9000	H2D200500011	CRYSTAL	1	
X9200	H0J200500038	CRYSTAL	1	
XV01	K1KAB0A00011	CONNECTOR	1	
ZA2101-08	TESA169	SHIELD CLIP	8	
ZA2300,01	K4CZ01000027	COMPATIBLE WITH JALCO K9	2	
ZA3401-05	K4CZ01000027	COMPATIBLE WITH JALCO K9	5	
ZA3701	K4CD01000013	TERMINAL	1	
ZA4001,02	K4CD08000002	TERMINAL	2	
ZA6001,02	K4CD01000011	TERMINAL	2	
ZA6005	K4CD01000011	TERMINAL	1	

Ref. No.	Part No.	Part Name & Description	Pcs	Remarks
ZA6401-03	K4CD01000011	TERMINAL	3	
ZA7101-04	K4CD01000013	TERMINAL	4	
ZA7201-04	K4CD01000013	TERMINAL	4	
ZA9001	K4CD01000011	TERMINAL	1	
C402	FLJ1C1050011	C 1UF, Z, 50V	1	
C404	FOCAF105A021	C 1UF, 250V	1	△
C407	EEUEB2W220B	E 22UF, 450V	1	△
C408	ECJ2XB1H102K	C 1000PF, K, 50V	1	
C409	FOCAF225A021	C 22UF, 250V	1	△
C410	ECJ2XB1H103K	C 0.01UF, K, 50V	1	
C413	ECJ2XB1H104K	C 0.1UF, K, 50V	1	
C414	ECQU2A473ML	P 0.047UF, M, 250V	1	△
C421	FLJ1C1050011	C 1UF, Z, 50V	1	
C422	ECJ2XB1H103K	C 0.01UF, K, 50V	1	
C423	ECJ2XB1H472K	C 4700PF, K, 50V	1	
C425	ECJ2XB1H103K	C 0.01UF, K, 50V	1	
C426	ECJ2XC1H471J	C 470PF, J, 50V	1	
C427	FLJ1C1050011	C 1UF, Z, 50V	1	
C428	ECJ2XC1H221J	C 220PF, J, 50V	1	
C429	FL1E2J4730001	C 0.047PF, , 600V	1	
C431	ECJ2XB1H102K	C 1000PF, K, 50V	1	
C432	FLJ1C1050011	C 1UF, Z, 50V	1	
C433	ECJ3XB1E104K	C 0.1UF, K, 25V	1	
C434	FLJ1C1050011	C 1UF, Z, 50V	1	
C436	FLJ1C1050011	C 1UF, Z, 50V	1	
C440	ECA1HM100	E 10UF, 50V	1	
C443,44	FLA3A102A040	C 1000PF, J, 1KV	2	
C445	FLJ1C1050011	C 1UF, Z, 50V	1	
C446,47	F2B2W2010001	C 200UF, 450V	2	△
C450	ECJ2XB1H103K	C 0.01UF, K, 50V	1	
C451	FLA3A101A040	C 100PF, J, 1KV	1	
C457	ECWH12333RHV	P 0.013UF, J, 1.2KV	1	
C460,61	FLA3A331A039	E 330UF, 1KV	2	
C462	ECJ3YB1E105K	C 1UF, K, 25V	1	
C463	ECJ2XC1H220J	C 22UF, J, 50V	1	
C467	ECKCNA221KB7	C 220PF, M, ,	1	△
C468	ECJ2XB1H103K	C 0.01UF, K, 50V	1	
C469	ECKCNA221KB7	C 220PF, M, ,	1	△
C470	FOCAF105A021	C 1UF, 250V	1	△
C473,74	ECKCNA101KB7	C 100PF	2	△
C476	ECKCNA101KB7	C 100PF	1	△
C478	ECKCNA101KB7	C 100PF	1	△
C493	ECA1HM470	E 47UF, 50V	1	
C494	F2A2E1R00008	E 1.0UF, 250V	1	
C497	ECA1HM470	E 47UF, 50V	1	
C501,02	ECJ2XB1H103K	C 0.01UF, K, 50V	2	
C503	ECJ2XC1H471J	C 470PF, J, 50V	1	
C504	FLJ1C1050011	C 1UF, Z, 50V	1	
C505	ECJ2XB1H102K	C 1000PF, K, 50V	1	
C506,07	ECJ2XB1H103K	C 0.01UF, K, 50V	2	
C508	ECJ2XC1H471J	C 470PF, J, 50V	1	
C509	ECA1EHG101	E 100UF, 25V	1	
C510	ECJ2XB1H104K	C 0.1UF, K, 50V	1	
C511	ECJ2XB1H102K	C 1000PF, K, 50V	1	
C512-14	ECJ2XC1H471J	C 470PF, J, 50V	3	
C515	F2A1A1220011	E 1200UF, 10V	1	
C516	ECJ2XB1C474K	C 0.47UF, Z, 16V	1	
C517	F2A1E221A096	E 220UF, 25V	1	
C518	ECJ2XB1H104K	C 0.1UF, K, 50V	1	
C519	FLJ1C1050011	C 1UF, Z, 50V	1	
C520	ECWH8683RHV	P 0.068PF, J, 8KV	1	
C523	ECJ3YB1E105K	C 1UF, K, 25V	1	
C526	ECJ2XB1H223K	C 0.022UF, K, 50V	1	
C527	ECJ3YB1E475K	C 4.7UF, K, 25V	1	
C528,29	FLJ1C1050011	C 1UF, Z, 50V	2	
C530	ECJ2VB1H333K	C 0.033UF, K, 50V	1	
C531	ECJ3YB1E105K	C 1UF, K, 25V	1	
C533	ECJ2XB1H103K	C 0.01UF, K, 50V	1	
C534	ECJ2XC1H471J	C 470PF, J, 50V	1	
C546,47	ECJ2XB1H102K	C 1000PF, K, 50V	2	

Ref. No.	Part No.	Part Name & Description	Pcs	Remarks
C550	ECJ2XC1H331J	C 330PF, J, 50V	1	
C551,52	ECJ2XB1H104K	C 0.1UF, K, 50V	2	
C554	FLJ1C1050011	C 1UF, Z, 50V	1	
C555	F2A2C101A120	E 1000UF, 160V	1	△
C556,57	EUUF1E152	E 1500UF, 25V	2	
C558	F2A1E471A096	E 470UF, 25V	1	
C559	F2A1A1220011	E 1200UF, 10V	1	
C562	ECJ2XB1H223K	C 0.022UF, K, 50V	1	
C571	ECJ2XC1H330J	C 33PF, J, 50V	1	
C574	ECJ2XB1H104K	C 0.1UF, K, 50V	1	
C577	F2A2A330A022	E 33UF, 100V	1	△
C581	ECJ2XB1H223K	C 0.022UF, K, 50V	1	
C583	ECJ2XB1H102K	C 1000PF, K, 50V	1	
C584,85	ECJ2XB1H223K	C 0.022UF, K, 50V	2	
C587	ECJ2XB1H332K	C 3300PF, K, 50V	1	
C601	ECJ2XB1H103K	C 0.01UF, K, 50V	1	
C603	ECJ2FB1E105K	C 1UF, K, 25V	1	
C604,05	F2A2D1510008	E 150UF, 200V	2	△
C607	FLJ1C1050011	C 1UF, Z, 50V	1	
C608	ECJ2XB1H103K	C 0.01UF, K, 50V	1	
C610	FLJ1C1050011	C 1UF, Z, 50V	1	
C611	F2B2T1420003	E 142UF, 220V	1	△
C612,13	ECJ2XB1H103K	C 0.01UF, K, 50V	2	
C615	F2B2T1420003	E 142UF, 220V	1	△
C616	FLA3A102A040	C 1000PF, J, 1KV	1	
C619	ECJ2XB1H104K	C 0.1UF, K, 50V	1	
C620	ECJ2XB1H103K	C 0.01UF, K, 50V	1	
C623	ECA1HM100	E 10UF, 50V	1	
C624	ECJ2XB1H103K	C 0.01UF, K, 50V	1	
C625	ECA1HM100	E 10UF, 50V	1	
C626	ECJ2XB1H103K	C 0.01UF, K, 50V	1	
C627	ECJ2XB1H102K	C 1000PF, K, 50V	1	
C629-31	ECJ2XB1H103K	C 0.01UF, K, 50V	3	
C632	ECJ2XC1H331J	C 330PF, J, 50V	1	
C634	ECJ2XB1H102K	C 1000PF, K, 50V	1	
C635	ECJ2XB1H103K	C 0.01UF, K, 50V	1	
C638,39	ECJ2XB1H103K	C 0.01UF, K, 50V	2	
C640	ECJ2XB1H104K	C 0.1UF, K, 50V	1	
C641	ECJ2XB1H102K	C 1000PF, K, 50V	1	
C643	ECA1HM470	E 47UF, 50V	1	
C650	ECJ2XB1H104K	C 0.1UF, K, 50V	1	
C653	ECJ2XB1H102K	C 1000PF, K, 50V	1	
C654	ECJ3YB1E105K	C 1UF, K, 25V	1	
C655,56	ECJ3YB1E225K	C 2.2UF, K, 25V	2	
C657	ECJ2XB1H102K	C 1000PF, K, 50V	1	
C658	ECJ3YB1E105K	C 1UF, K, 25V	1	
C659	ECJ2XB1H103K	C 0.01UF, K, 50V	1	
C660	ECJ2FB1C225K	C 22UF, K, 16V	1	
C661,62	ECJ2XB1H103K	C 0.01UF, K, 50V	2	
D401	BOFBAT000006	DIODE	1	△
D404	BOEBKT000007	DIODE	1	△
D407	MA111	DIODE	1	
D411	BOBB17000009	DIODE	1	
D412	BOHAMM000122	DIODE	1	
D415	BOJAME000099	DIODE	1	
D416	BOHAMP000067	DIODE	1	
D417	BOHAPR000013	DIODE	1	
D418	BOBC8R100013	DIODE	1	
D419,20	BOHAPR000013	DIODE	2	
D423	MA188	DIODE	1	
D425	MA188	DIODE	1	
D429	ERA15-10	DIODE	1	
D430	MA111	DIODE	1	
D431,32	BOJCCDD000002	DIODE	2	
D433	BOBC01400033	DIODE	1	
D435	ERA15-10	DIODE	1	
D436-38	MA4200M	ZENER DIODE	3	
D441	BOHAMM000122	DIODE	1	
D444	BOHAMM000122	DIODE	1	
D445	MA4360H	ZENER DIODE	1	
D501	BOHAPR000012	DIODE	1	
D503,04	MA165	DIODE	2	

Ref. No.	Part No.	Part Name & Description	Pcs	Remarks
D505	B0JAME000099	DIODE	1	
D506	MAZ80470LL	ZENER DIODE	1	
D507,08	B0BC7R400023	DIODE	2	
D509	B0JANG000018	DIODE	1	
D511	B0JAML000011	DIODE	1	
D512,13	MA111	DIODE	2	
D514	B0BC6R100025	DIODE	1	
D515	B0BC3R200008	DIODE	1	
D516-18	MA4330M	ZENER DIODE	3	
D520	MA111	DIODE	1	
D521	B0JAME000099	DIODE	1	
D528,29	MA153	DIODE	2	
D530	B0BC9R900013	DIODE	1	
D531	B0HBSN000013	DIODE	1	
D535	MA188	DIODE	1	
D536	B0JBSG000026	DIODE	1	
D538	B0BC5R100039	DIODE	1	
D539,40	B0AARR000010	DIODE	2	
D542	MA4200M	ZENER DIODE	1	
D543	B0BC01400033	DIODE	1	
D544,45	MA4200M	ZENER DIODE	2	
D549	B0BC02500008	DIODE	1	
D551	B0BC01300033	DIODE	1	
D555	B0BC7R400023	DIODE	1	
D559	B0BC7R400023	DIODE	1	
D563	B0BC6R100025	DIODE	1	
D569-72	B0BC02500008	DIODE	4	
D574	MA165	DIODE	1	
D575	MA188	DIODE	1	
D579	MA165	DIODE	1	
D582	MAZ705600F	ZENER DIODE	1	
D585	B0BC7R400023	DIODE	1	
D586	B0HAMP000067	DIODE	1	
D587	MA188	DIODE	1	
D588	B0BC3R200008	DIODE	1	
D590	B0BC3R200008	DIODE	1	
D596	ERA15-10	DIODE	1	
D598	B0BC5R100039	DIODE	1	
D599	B0JCND000009	DIODE	1	
D600	B0BC7R400023	DIODE	1	
D601	B0BC5R100039	DIODE	1	
D602	B0BC8R100013	DIODE	1	
F410	K5G102B00020	FUSE	1	△
IC401	CNC1S171R	IC	1	△
IC402	C0DAEMB00004	IC	1	
IC403-05	CNC1S171R	IC	3	△
IC406	C0DAZZZ00021	IC	1	
IC408	CNC1S171R	IC	1	△
IC409	MIP2G40MPSCF	IC	1	△
IC410	CNC1S171R	IC	1	△
IC411	C0DAEMB00004	IC	1	
IC412	CNC1S171R	IC	1	△
IC501	C2ABDB000108	IC	1	
IC502	C0EBH0000210	IC	1	
IC504	C0DAEMB00004	IC	1	
IC505	CNC1S171R	IC	1	
IC506	C0ZBZ0000878	IC	1	
IC507	CNC1S171R	IC	1	
IC509	C0DABZZ00010	IC	1	
IC510	C0DBAZG00034	IC	1	
IC512	C0DAEMB00004	IC	1	
IC520	LSSK0062	IC	1	
L403	EXCELSA35	BEAD CHOKE	1	
L404,05	G0B123K00004	CHOKE COIL	2	△
L410	ELF17N004A	LINE FILTER	1	△
L510	EXCELDR25C	BEAD CHOKE	1	
L511	G0A470ZA0033	CHOKE COIL	1	
L512	ELESE4R7JA	PEAKING COIL	1	
L513	EXCELDR25C	BEAD CHOKE	1	

Ref. No.	Part No.	Part Name & Description	Pcs	Remarks
L514	G0A100GA0013	CHOKE COIL	1	
P2	K1KA02A00626	2P CONNECTOR	1	
P5	K1KA11AA0194	11P CONNECTOR	1	
P9	K1KA03A00537	3P CONNECTOR	1	
P10	K1KA06A00452	6P CONNECTOR	1	
P11	K1KA02A00626	2P CONNECTOR	1	
P12	K1KA10AA0194	10P CONNECTOR	1	
P23	K1KA03AA0193	3P CONNECTOR	1	
P25	K1KA20AA0178	20P CONNECTOR	1	
PMM1	TMM7464-2	CLAMPER	1	
PMM2,M3	TMME088	CLAMPER	2	
PMM4-M6	TMM7464-2	CLAMPER	3	
PMM7	TMME047	CLAMPER	1	
PR401	K5Y502BA0001	FUSE	1	△
PR505	K5H5022A0023	FUSE	1	△
PR509	ERBSE0R50U	FUSE	1	△
PR601	K5G312B00012	FUSE	1	△
Q401	B1CHND000004	TRANSISTOR	1	
Q402	B1DFDD000019	TRANSISTOR	1	
Q404	B1BCCF000022	TRANSISTOR	1	
Q407	B1HFCFA00021	TRANSISTOR	1	
Q408,09	B1DHCD000034	TRANSISTOR	2	
Q413	B1DEGQ000070	TRANSISTOR	1	△
Q418	2SD1819A	TRANSISTOR	1	
Q420-22	2SD1819A	TRANSISTOR	3	
Q434	B1CEJQ000003	TRANSISTOR	1	
Q501,02	2SD1820A	TRANSISTOR	2	
Q505	B1CEJQ000002	TRANSISTOR	1	
Q507	B1DAGQ000013	TRANSISTOR	1	
Q508	B1HBCFA00033	TRANSISTOR	1	
Q509	B1HDCEA00001	TRANSISTOR	1	
Q510	B1DHBD000005	TRANSISTOR	1	
Q512	B1CBGD000001	FET	1	
Q517	B1HBCFA00033	TRANSISTOR	1	
Q520	B1HBCFA00033	TRANSISTOR	1	
Q521	B1CBGD000001	FET	1	
Q524	B1CFGF000008	TRANSISTOR	1	
Q525	B1CBGD000001	FET	1	
Q527	B1CERL000005	TRANSISTOR	1	
Q530	2SD1819A	TRANSISTOR	1	
Q535	2SD1819A	TRANSISTOR	1	
Q537	B1DFDD000019	TRANSISTOR	1	
Q538	B1CBGD000001	FET	1	
Q540	B1DHCD000034	TRANSISTOR	1	
Q541	B1CBGD000001	FET	1	
Q551	B1CBGD000001	FET	1	
Q553	2SD1819A	TRANSISTOR	1	
Q554	B1DHCD000034	TRANSISTOR	1	
Q555,56	B1DFGD000045	TRANSISTOR	2	
Q557-59	2SD1819A	TRANSISTOR	3	
Q561	2SD1819A	TRANSISTOR	1	
Q563	B1CFGF000008	TRANSISTOR	1	
Q564,65	2SB1218ARL	TRANSISTOR	2	
Q566	2SD1819A	TRANSISTOR	1	
Q568	B1CHGD000006	TRANSISTOR	1	
Q569	B1CBGD000001	FET	1	
R401	ERJ6GEYJ103	M 10KOHM, J, 1/10W	1	
R402	ERJ6GEYJ821	M 820 OHM, J, 1/10W	1	
R403	ERJ6GEYJ105	M 1MOHM, J, 1/10W	1	
R404	ERJ6GEYJ102	M 1KOHM, J, 1/10W	1	
R406	ERX12SJ2R2V	M 2.2 OHM, J, 1/2W	1	
R407	ERJ8ENF4303	M 43KOHM, 1/8W	1	
R410	D1F5100E0003	CHIP RESISTOR	1	△
R412	ERJ6GEY0R00	M 0 OHM, 1/10W	1	
R413	D1F5100E0003	CHIP RESISTOR	1	△
R414	ERJ8GEYJ153	M 15KOHM, J, 1/8W	1	
R415	ERJ6GEYJ103	M 10KOHM, J, 1/10W	1	
R416	ERJ6GEYJ305	M 3MOHM, J, 1/10W	1	

Ref. No.	Part No.	Part Name & Description	Pcs	Remarks
R417	ERJ6ENF4303	M 430KOHM, 1/10W	1	
R418	ERJ6GEYJ220	M 22 OHM, J, 1/10W	1	
R419	ERJ6GEYJ104	M 100KOHM, J, 1/10W	1	
R420	ERJ6GEY0R00	M 0 OHM, 1/10W	1	
R421	ERJ6GEYJ333	M 33KOHM, J, 1/10W	1	
R422	ERJ6GEYJ334	M 330KOHM, J, 1/10W	1	
R423	ERJ6GEYJ102	M 1KOHM, J, 1/10W	1	
R424	ERJ6GEYJ223	M 22KOHM, J, 1/10W	1	
R425	ERJ6ENF3902	M 39KOHM, 1/10W	1	
R426	ERJ6GEYJ103	M 10KOHM, J, 1/10W	1	
R427	ERJ8ENF4303	M 430KOHM, 1/8W	1	
R428	ERJ6GEYJ103	M 10KOHM, J, 1/10W	1	
R429	ERJ6GEYJ4R7	M 4.7 OHM, J, 1/10W	1	
R430	ERJ6ENF4303	M 430KOHM, 1/10W	1	
R431	ERJ6GEYJ103	M 10KOHM, J, 1/10W	1	
R432	ERJ6GEYJ102	M 1KOHM, J, 1/10W	1	
R433	ERJ6ENF1202	M 12KOHM, 1/10W	1	
R434	ERJ8GEY0R00	M 0 OHM, 1/8W	1	
R435	ERJ8ENF4303	M 430KOHM, 1/8W	1	
R436	ERJ8GEYJ153	M 15KOHM, J, 1/8W	1	
R437	ERJ6GEYJ183	M 18KOHM, J, 1/10W	1	
R438	ERJ6GEYJ331	M 330 OHM, J, 1/10W	1	
R439	ERG12SJ120	M 12 OHM, J, 1/2W	1	
R440	ERJ8GEYJ474	M 470KOHM, J, 1/8W	1	
R441,42	ERJ6EKF6803	M 680KOHM, 1/10W	2	
R443	EVMAASA00B23	CONTROL 2KOHMB	1	
R444	ERJ6GEYJ123	M 12KOHM, J, 1/10W	1	
R448,49	DOXGR08J0001	M 0.08OHM, J, 5W	2	
R450	ERJ6GEYJ102	M 1KOHM, J, 1/10W	1	
R451	ERJ6GEYJ333	M 33KOHM, J, 1/10W	1	
R452	ERJ6GEYJ103	M 10KOHM, J, 1/10W	1	
R453	ERJ6GEYJ305	M 3MOHM, J, 1/10W	1	
R454	ERJ6GEYJ103	M 10KOHM, J, 1/10W	1	
R455	ERJ6GEYJ123	M 12KOHM, J, 1/10W	1	
R456	ERJ6GEYJ333	M 33KOHM, J, 1/10W	1	
R458	ERJ6GEYJ472	M 4.7KOHM, J, 1/10W	1	
R459	ERJ6EKF6803	M 680KOHM, 1/10W	1	
R461	ERJ6GEYJ103	M 10KOHM, J, 1/10W	1	
R462	ERJ6ENF4303	M 430KOHM, 1/10W	1	
R463	ERJ6GEYJ333	M 33KOHM, J, 1/10W	1	
R464	ERJ6ENF3302	M 33KOHM, 1/10W	1	
R465	ERJ6ENF5603	M 560KOHM, 1/10W	1	
R467	ERJ6GEYJ102	M 1KOHM, J, 1/10W	1	
R471	ERJ8GEYJ332	M 3.3KOHM, J, 1/8W	1	
R472,73	ERJ6ENF5603	M 560KOHM, 1/10W	2	
R475	ERJ6EKF6803	M 680KOHM, 1/10W	1	
R476,77	ERJ14YJ181U	M 181 OHM, J, 1/4W	2	
R478	ERJ8GEYJ220	M 22 OHM, J, 1/8W	1	
R480	ERJ6ENF4702	M 47KOHM, 1/10W	1	
R482	ERJ8GEYJ220	M 22 OHM, J, 1/8W	1	
R483	DOB225JA030	M 22MOHM, J, 0.05W	1	△
R487	ERJ6GEYJ472	M 4.7KOHM, J, 1/10W	1	
R488	ERJ6GEYJ104	M 100KOHM, J, 1/10W	1	
R490,91	ERJ6GEYJ473	M 47KOHM, J, 1/10W	2	
R492	ERJ6GEY0R00	M 0 OHM, 1/10W	1	
R493	ERG12SJ120	M 12 OHM, J, 1/2W	1	
R494-96	ERJ6ENF5603	M 560KOHM, 1/10W	3	
R497	ERJ6ENF1202	M 12KOHM, 1/10W	1	
R498	ERG3SJ101	M 100 OHM, J, 3W	1	
R499	DOB394JA029	M 390KOHM, J, 0.05W	1	△
R501	ERJ6GEYJ223	M 22KOHM, J, 1/10W	1	
R502,03	ERJ6GEYJ104	M 100KOHM, J, 1/10W	2	
R504	ERJ6GEYJ102	M 1KOHM, J, 1/10W	1	
R505	ERJ8GEYJ330	M 33 OHM, J, 1/8W	1	
R506	ERJ6GEYJ102	M 1KOHM, J, 1/10W	1	
R507	ERJ6GEYJ221	M 220 OHM, J, 1/10W	1	
R508	ERJ6GEYJ102	M 1KOHM, J, 1/10W	1	
R509-11	ERJ6GEYJ104	M 100KOHM, J, 1/10W	3	
R512	ERJ6GEYJ223	M 22KOHM, J, 1/10W	1	
R513,14	ERJ6GEYJ104	M 100KOHM, J, 1/10W	2	
R515,16	ERJ6GEYJ102	M 1KOHM, J, 1/10W	2	
R517	ERJ6GEYJ103	M 10KOHM, J, 1/10W	1	
R518	ERJ6GEYJ102	M 1KOHM, J, 1/10W	1	

Ref. No.	Part No.	Part Name & Description	Pcs	Remarks
R519,20	ERJ6GEYJ104	M 100KOHM, J, 1/10W	2	
R521,22	ERJ8GEYJ100	M 10 OHM, J, 1/8W	2	
R523	ERJ6GEYJ473	M 47KOHM, J, 1/10W	1	
R524	ERJ6GEYJ102	M 1KOHM, J, 1/10W	1	
R525	ERJ6GEYJ473	M 47KOHM, J, 1/10W	1	
R526,27	ERJ8GEYJ224	M 220KOHM, J, 1/8W	2	
R528	ERJ6GEYJ4R7	M 4.7 OHM, J, 1/10W	1	
R529	ERJ6GEYJ101	M 100 OHM, J, 1/10W	1	
R530	ERJ6RBD3302	M 33KOHM, F, 1/10W	1	
R532	ERJ6GEYJ102	M 1KOHM, J, 1/10W	1	
R533	ERJ6GEYJ163	M 16KOHM, J, 1/10W	1	
R534	ERJ6GEYJ473	M 47KOHM, J, 1/10W	1	
R535,36	ERJ6GEYJ102	M 1KOHM, J, 1/10W	2	
R537	ERJ6ENF1003	M 100KOHM, 1/10W	1	
R538	ERJ6GEYJ104	M 100KOHM, J, 1/10W	1	
R539	ERJ6GEYJ103	M 10KOHM, J, 1/10W	1	
R540,41	ERJ6GEYJ105	M 1MOHM, J, 1/10W	2	
R542	ERJ6GEYJ102	M 1KOHM, J, 1/10W	1	
R543	ERJ6GEYJ153	M 15KOHM, J, 1/10W	1	
R544	ERJ6GEYJ331	M 330 OHM, J, 1/10W	1	
R545	ERJ6GEYJ103	M 10KOHM, J, 1/10W	1	
R546	ERJ6GEYJ102	M 1KOHM, J, 1/10W	1	
R547	ERJ6GEYJ101	M 100 OHM, J, 1/10W	1	
R548	ERJ6GEYJ102	M 1KOHM, J, 1/10W	1	
R549	ERJ6GEYJ103	M 10KOHM, J, 1/10W	1	
R550	ERJ6GEYJ473	M 47KOHM, J, 1/10W	1	
R551	ERJ6GEYJ334	M 330KOHM, J, 1/10W	1	
R552	ERJ6GEYJ103	M 10KOHM, J, 1/10W	1	
R553	ERJ6GEYJ101	M 100 OHM, J, 1/10W	1	
R554	ERJ6GEYJ102	M 1KOHM, J, 1/10W	1	
R555,56	ERJ6GEYJ105	M 1MOHM, J, 1/10W	2	
R557	ERJ6GEYJ104	M 100KOHM, J, 1/10W	1	
R558	ERJ6GEYJ474	M 470KOHM, J, 1/10W	1	
R559	ERJ6ENF8201	M 8.2KOHM, 1/10W	1	
R560	ERJ6ENF9101	M 9.1KOHM, 1/10W	1	
R561	ERJ6ENF5101	M 5.1KOHM, 1/10W	1	
R562	ERJ6ENF4701	M 4.7KOHM, 1/10W	1	
R563	ERJ6GEYJ2R2	M 2.2 OHM, J, 1/10W	1	
R564	ERJ6GEYJ104	M 100KOHM, J, 1/10W	1	
R565,66	ERJ6GEYJ105	M 1MOHM, J, 1/10W	2	
R567,68	ERJ8ENF1004	M 100KOHM, 1/8W	2	
R569	ERJ6ENF3302	M 33KOHM, 1/10W	1	
R570	ERJ6GEYJ104	M 100KOHM, J, 1/10W	1	
R571	ERJ6GEYJ105	M 1MOHM, J, 1/10W	1	
R572,73	ERJ8ENF3900	M 390 OHM, 1/8W	2	
R574	ERJ6GEYJ331	M 330 OHM, J, 1/10W	1	
R575	ERJ6GEYJ102	M 1KOHM, J, 1/10W	1	
R576	ERJ6ENF1202	M 12KOHM, 1/10W	1	
R577,78	ERJ6GEYJ473	M 47KOHM, J, 1/10W	2	
R579	ERJ6GEYJ103	M 10KOHM, J, 1/10W	1	
R580,81	ERJ6GEYJ473	M 47KOHM, J, 1/10W	2	
R582	ERJ6ENF1002	M 10KOHM, 1/10W	1	
R583	ERJ6GEYJ473	M 47KOHM, J, 1/10W	1	
R584	ERJ6GEYJ103	M 10KOHM, J, 1/10W	1	
R585	ERJ6GEYJ333	M 33KOHM, J, 1/10W	1	
R586	ERJ6GEYJ473	M 47KOHM, J, 1/10W	1	
R587	ERJ8RSJR16V	M 16 OHM, 1/8W	1	
R588	ERJ8ENF3900	M 390 OHM, 1/8W	1	
R589,90	ERJ8GEYJ123	M 12KOHM, J, 1/8W	2	
R591	ERJ6GEYJ105	M 1MOHM, J, 1/10W	1	
R592	ERJ6ENF3001	M 3KOHM, 1/10W	1	
R593	ERJ6ENF5601	M 5.6KOHM, 1/10W	1	
R594	ERJ6GEYJ151	M 150 OHM, J, 1/10W	1	
R595	ERJ8GEYJ222	M 2.2KOHM, J, 1/8W	1	
R596	ERJ6GEYJ101	M 100 OHM, J, 1/10W	1	
R597,98	ERJ6ENF3302	M 33KOHM, 1/10W	2	
R599,00	ERJ8ENF3900	M 390 OHM, 1/8W	2	
R601	ERJ6GEYJ473	M 47KOHM, J, 1/10W	1	
R602	ERJ6ENF3301	M 3.3KOHM, 1/10W	1	
R603	ERJ6GEYJ333	M 33KOHM, J, 1/10W	1	
R606	ERJ6ENF1201	M 1.2KOHM, 1/10W	1	
R607	ERJ6ENF2202	M 2.2KOHM, 1/10W	1	
R608	ERJ8GEYJ332	M 3.3KOHM, J, 1/8W	1	

6.3. Electrical Replacement Parts List (42inch)

Note:

All parts except parts mentioned [PAVCCZ] in the Remarks column are supplied by PAVC-CSG.

Parts mentioned [PAVCCZ] are supplied by PAVCCZ.

Ref. No.	Part No.	Part Name & Description	Pcs	Remarks
F401.402	K5D802BNA005	TIME LAG FUSE HIGH	2	△
C001	ECA0JM102	E 1000UF, 6.3V	1	
C002,03	ECA1HM100	E 10UF, 50V	2	
C007	ECJ1XF1C104Z	C 0.1UF, Z, 16V	1	
C009	ECJ1VF1H104Z	C 0.1UF, Z, 50V	1	
C11	K1MN55BA0076	55P CONNECTOR	1	
C12	K1MN20BA0231	20P CONNECTOR	1	
C013	ECJ1XF1C104Z	C 0.1UF, Z, 16V	1	
C016	ECJ1XF1C104Z	C 0.1UF, Z, 16V	1	
C018,19	ECJ1VC1H330J	C 33PF, J, 50V	2	
C020	ECJ1VF1H103Z	C 0.010UF, Z, 50V	1	
C021	ECJ1XC1H101J	C 100PF, J, 50V	1	
C21	K1MN55BA0076	55P CONNECTOR	1	
C22	K1MN20BA0231	20P CONNECTOR	1	
C23	K1KA12BA0107	12P CONNECTOR	1	
C1100	ECJ0EB1A104K	C 0.1UF, K, 10V	1	
C1102	ECJ0EB1A104K	C 0.1UF, K, 10V	1	
C1103	ECJ0EB1E271K	C 270PF, K, 25V	1	
C1105	ECJ0EB1E271K	C 270PF, K, 25V	1	
C1106	ECJ1VB1A105K	C 0.01UF, Z, 50V	1	
C1107	EEEB0G101R	C 100PF, J, 4V	1	
C1109-11	ECJ0EB1A104K	C 0.1UF, K, 10V	3	
C1112	ECJ0EB1E271K	C 270PF, K, 25V	1	
C1114	ECJ0EB1A104K	C 0.1UF, K, 10V	1	
C1116	ECJ0EB1A104K	C 0.1UF, K, 10V	1	
C1118-23	ECJ0EB1A104K	C 0.1UF, K, 10V	6	
C1125	ECJ0EB1A104K	C 0.1UF, K, 10V	1	
C1127-32	ECJ0EB1A104K	C 0.1UF, K, 10V	6	
C1133,34	ECJ1XC1H150J	C 15PF, J, 50V	2	
C1135-42	ECJ0EB1A104K	C 0.1UF, K, 10V	8	
C1144-50	ECJ0EB1A104K	C 0.1UF, K, 10V	7	
C1152	ECJ0EB1A104K	C 0.1UF, K, 10V	1	
C1153	EEEB0G101R	C 100PF, J, 4V	1	
C1154	ECJ0EB1A104K	C 0.1UF, K, 10V	1	
C1155	ECJ0EB1C103K	C0.010UF, K, 16V	1	
C1156,57	ECJ1XC1H220J	C 22PF, J, 50V	2	
C1158	FLJ0J1060004	C 0.010UF, K, 16V	1	
C1159	ECJ0EB1A104K	C 0.1UF, K, 10V	1	
C1160	EEEB1C470P	C 47PF, J, 16V	1	
C1161	ECJ1VB1A105K	C 0.01UF, Z, 50V	1	
C1162	ECJ0EB1C103K	C0.010UF, K, 16V	1	
C1167,68	ECJ1VB1A105K	C 0.01UF, Z, 50V	2	
C1170-72	ECJ0EB1A104K	C 0.1UF, K, 10V	3	
C1177	ECJ1VB1A334K	C 0.1UF, K, 16V	1	
C1178	ECJ1VB1A105K	C 0.01UF, Z, 50V	1	
C1180,81	ECJ1VB1H221K	C 220UF, K, 50V	2	
C1186	ECJ0EB1A104K	C 0.1UF, K, 10V	1	
C1190	ECJ0EB1C103K	C0.010UF, K, 16V	1	
C1209	ECJ1VB1A105K	C 0.01UF, Z, 50V	1	
C1212	ECJ1XC1H151J	C 150PF, J, 50V	1	
C1219,20	EEEB1C100R	C 10PF, J, 16V	2	
C1221	ECJ0EB1H102K	C 1000PF, K, 50V	1	

Ref. No.	Part No.	Part Name & Description	Pcs	Remarks
C1222,23	FLJ0J1060004	C 0.010UF, K, 16V	2	
C1226	FLJ0J1060004	C 0.010UF, K, 16V	1	
C1227	ECJ0EB1H101K	C 100PF, K, 50V	1	
C1228-34	EEEB1C470P	C 47PF, J, 16V	7	
C1294	ECJ1XC1H330J	C 33PF, J, 50V	1	
C2005-18	ECJ1XC1H561J	C 560PF, J, 50V	14	
C2019	ECA1CM221	E 220UF, 16V	1	
C2020	ECA1HM220	E 22UF, 50V	1	
C2021,22	ECJ1XC1H561J	C 560PF, J, 50V	2	
C2103,04	ECJ3YB1A106M	C 10UF, M,6.3V	2	
C2111	ECJ2VF1C104Z	C 0.1UF, Z, 16V	1	
C2116	ECJ2VF1C104Z	C 0.1UF, Z, 16V	1	
C2118,19	ECEA1CN470U	E 47UF, 16V	2	
C2122,23	ECJ3YB1A106M	C 10UF, M,6.3V	2	
C2125,26	ECJ1VB1H102K	C 1000PF, K, 50V	2	
C2127	ECA1CMH101	E 100UF, 16V	1	
C2128	ECJ2VF1C104Z	C 0.1UF, Z, 16V	1	
C2129,30	FLJ1A1050002	C 1UF, Z, 50V	2	
C2131	ECJ2VF1C104Z	C 0.1UF, Z, 16V	1	
C2132	EEEB1C100R	C 10PF, J, 16V	1	
C2133,34	ECJ1XC1H470J	C 47PF, J, 50V	2	
C2139-43	ECJ1VB1H103K	C 0.001UF, K, 50V	5	
C2144,45	ECJ3YB1A106M	C 10UF, M,6.3V	2	
C2146	ECJ2VF1C104Z	C 0.1UF, Z, 16V	1	
C2147	ECA1HM220	E 22UF, 50V	1	
C2148-50	ECJ2FB1C105K	C 1UF, K, 16V	3	
C2152	ECJ2FB1C105K	C 1UF, K, 16V	1	
C2153	ECJ2FF1C475Z	C 0.047UF, Z, 16V	1	
C2154	ECJ2VF1C104Z	C 0.1UF, Z, 16V	1	
C2155	ECJ2FB1C105K	C 1UF, K, 16V	1	
C2156	ECJ3YB1A106M	C 10UF, M,6.3V	1	
C2157	ECJ2FB1C105K	C 1UF, K, 16V	1	
C2158	ECJ3YB1A106M	C 10UF, M,6.3V	1	
C2159,60	ECJ2FB1C105K	C 1UF, K, 16V	2	
C2161	ECA1CMH101	E 100UF, 16V	1	
C2162-69	ECJ2FB1C105K	C 1UF, K, 16V	8	
C2170-72	ECJ1VB1H102K	C 1000PF, K, 50V	3	
C2173	ECJ1VB1H103K	C 0.001UF, K, 50V	1	
C2174	ECJ1VB1H102K	C 1000PF, K, 50V	1	
C2175-77	ECJ1VB1H103K	C 0.001UF, K, 50V	3	
C2178,79	EEEB1C100R	C 10PF, J, 16V	2	
C2181	ECJ2VF1C104Z	C 0.1UF, Z, 16V	1	
C2183	EEEB1H3R3R	C 3.3PF, J, 50V	1	
C2184,85	ECJ2VF1C104Z	C 0.1UF, Z, 16V	2	
C2189,90	ECJ2FB1C105K	C 1UF, K, 16V	2	
C2191	ECJ2VF1C104Z	C 0.1UF, Z, 16V	1	
C2192	EEEB1C100R	C 10PF, J, 16V	1	
C2193,94	ECJ2FB1C105K	C 1UF, K, 16V	2	
C2195	ECJ1XC1H470J	C 47PF, J, 50V	1	
C2196	ECJ2VF1C104Z	C 0.1UF, Z, 16V	1	
C2197	ECJ2FB0J225K	C 2.2UF, Z, 16V	1	
C2198	EEEB0J101P	C 100PF, J, 6.3V	1	
C2199	ECJ1VC1H560J	C 56PF, J, 50V	1	
C2200	ECJ1XC1H470J	C 47PF, J, 50V	1	
C2201	ECJ1XC1H030C	C 3PF, C, 50V	1	
C2202	ECJ1XC1H050C	C 5PF, C, 50V	1	

Ref. No.	Part No.	Part Name & Description	Pcs	Remarks
C2203	ECJ1VC1H100C	C 10PF, C, 50V	1	
C2204	ECJ1XC1H220J	C 22PF, J, 50V	1	
C2211	ECJ1VB1C104K	C 0.1UF, K, 16V	1	
C2213	ERJ3GEY0R00	M 0 OHM, 1/16W	1	
C2217	FLH0J1050012	C 1UF, K, 16V	1	
C2218-21	ECJ3YB1A106M	C 10UF, M, 6.3V	4	
C2222	ECJ2VF1C104Z	C 0.1UF, Z, 16V	1	
C2223	ECJ1XC1H390J	C 39PF, J, 50V	1	
C2225	ECJ2FB1C105K	C 1UF, K, 16V	1	
C2226	ECJ1VB1H102K	C 1000PF, K, 50V	1	
C2227	ECA1CMH101	E 100UF, 16V	1	
C2228	ECJ1VB1H103K	C 0.001UF, K, 50V	1	
C2229,30	ECA1CMH101	E 100UF, 16V	2	
C2231	ECA1CHG470	E 47UF, 16V	1	
C2232	FLH0J1050012	C 1UF, K, 16V	1	
C2233,34	ECJ1VB1H102K	C 1000PF, K, 50V	2	
C2235	FLH0J1050012	C 1UF, K, 16V	1	
C2236	ECA1CHG470	E 47UF, 16V	1	
C2237-40	ECJ1VB1H103K	C 0.001UF, K, 50V	4	
C2243	ECA1CHG470	E 47UF, 16V	1	
C2301	ECA1EHG471	E 470UF, 25V	1	
C2303	ECA1CMH101	E 100UF, 16V	1	
C2307	ECA1CMH101	E 100UF, 16V	1	
C2314	ECJ1VB1C105K	C 0.01UF, K, 16V	1	
C2317	ECJ2FB1A105K	C 1UF, K, 10V	1	
C2320	ECJ2FB1A105K	C 1UF, K, 10V	1	
C2321	ECJ2XB1H103K	C 0.01UF, K, 50V	1	
C2322	ECJ2FB1A105K	C 1UF, K, 10V	1	
C2323,24	ECJ2FB1E224K	C 22UF, K, 25V	2	
C2325,26	ECJ1VB1E104K	C 0.10UF, K, 25V	2	
C2327	FLJ1H474A757	C 0.47UF, 50V	1	
C2328-31	ECJ2FB1E105K	C 1UF, K, 25V	4	
C2332,33	ECA1EHG471	E 470UF, 25V	2	
C2334,35	ECJ1VB1E104K	C 0.10UF, K, 25V	2	
C2336	FLJ1H474A757	C 0.47UF, 50V	1	
C2337,38	ECJ2FB1E224K	C 22UF, K, 25V	2	
C2341	ECJ3YB1E106M	C 10 UF, K, 25V	1	
C2342	ECJ2FB1E105K	C 1UF, K, 25V	1	
C2372	ECA1HHG100	E 10UF, 50V	1	
C2373	ECJ1VF1H104Z	C 0.1UF, Z, 50V	1	
C2374	ECJ1VF1A105Z	C 1UF, Z, 10V	1	
C2380	ECJ1VB1H103K	C 0.001UF, K, 50V	1	
C2382	ECJ1VB1C105K	C 0.01UF, K, 16V	1	
C2385	ECJ2FB1A105K	C 1UF, K, 10V	1	
C2387	ECJ2FB1A105K	C 1UF, K, 10V	1	
C2393,94	ECJ1VB1C105K	C 0.01UF, K, 16V	2	
C2401	ECJ2FB1A105K	C 1UF, K, 10V	1	
C2402	ECJ2FB0J106M	C 10UF, Z, 6.3V	1	
C2403	ECJ1VB1H103K	C 0.001UF, K, 50V	1	
C2417	ECJ2FB0J106M	C 10UF, Z, 6.3V	1	
C2430	ECJ1VF1A105Z	C 1UF, Z, 10V	1	
C2510,11	ECJ2VF1C105Z	C 1UF, Z, 16V	2	
C2512	ECJ3XB0J106M	C 10UF, M, 6.3V	1	
C2515	ECJ1VB1H103K	C 0.001UF, K, 50V	1	
C2517	ECJ1VB1H103K	C 0.001UF, K, 50V	1	
C2521	ECJ1VB1H103K	C 0.001UF, K, 50V	1	
C3001-03	ECJ1VB1H102K	C 1000PF, K, 50V	3	
C3021	FLJ1A1050002	C 1UF, Z, 50V	1	
C3022,23	ECJ1VB1H103K	C 0.001UF, K, 50V	2	
C3024-28	FLJ1A1050002	C 1UF, Z, 50V	5	
C3029	ECJ2VF1C105Z	C 1UF, Z, 16V	1	

Ref. No.	Part No.	Part Name & Description	Pcs	Remarks
C3030	ECJ2VF1C104Z	C 0.1UF, Z, 16V	1	
C3031	FLJ1A1050002	C 1UF, Z, 50V	1	
C3033	FLJ1A1050002	C 1UF, Z, 50V	1	
C3035,36	FLJ1A1050002	C 1UF, Z, 50V	2	
C3038	ECJ2VF1C104Z	C 0.1UF, Z, 16V	1	
C3039	FLJ1A1050002	C 1UF, Z, 50V	1	
C3040	ECJ2VF1C104Z	C 0.1UF, Z, 16V	1	
C3041	ECJ1VB1H103K	C 0.001UF, K, 50V	1	
C3043	FLJ1A1050002	C 1UF, Z, 50V	1	
C3045,46	ECJ1VB1H103K	C 0.001UF, K, 50V	2	
C3047	FLJ1A1050002	C 1UF, Z, 50V	1	
C3048	ECJ1VB1H103K	C 0.001UF, K, 50V	1	
C3049-56	FLJ1A1050002	C 1UF, Z, 50V	8	
C3058	ECA1EM471	E 470UF, 25V	1	
C3059	ECJ2VF1C105Z	C 1UF, Z, 16V	1	
C3062-64	ECJ2VF1C104Z	C 0.1UF, Z, 16V	3	
C3065	ECJ1VB1H103K	C 0.001UF, K, 50V	1	
C3066	FLJ1A1050002	C 1UF, Z, 50V	1	
C3067	ECJ1VB1H103K	C 0.001UF, K, 50V	1	
C3068	ECJ2VF1C104Z	C 0.1UF, Z, 16V	1	
C3070	ECA1EM471	E 470UF, 25V	1	
C3071	ECJ2VF1C104Z	C 0.1UF, Z, 16V	1	
C3072	ECA1EM471	E 470UF, 25V	1	
C3073	ECJ2VF1C104Z	C 0.1UF, Z, 16V	1	
C3074	ECA1EM471	E 470UF, 25V	1	
C3075	ECA1CM221	E 220UF, 16V	1	
C3076	ECA1EM471	E 470UF, 25V	1	
C3207	ECA1AM102	E 1000UF, 10V	1	
C3214	ECJ2VF1C104Z	C 0.1UF, Z, 16V	1	
C3216	ECJ2VF1C104Z	C 0.1UF, Z, 16V	1	
C3226-28	ECJ2VF1C104Z	C 0.1UF, Z, 16V	3	
C3230	ECJ2VF1C104Z	C 0.1UF, Z, 16V	1	
C3233	ECJ2VF1C104Z	C 0.1UF, Z, 16V	1	
C3241	ECJ2VF1C104Z	C 0.1UF, Z, 16V	1	
C3262	ECJ1VB1H472K	C 4700PF, K, 50V	1	
C3268	ECJ1VB1H103K	C 0.001UF, K, 50V	1	
C3305	ECJ1XF1C104Z	C 0.1UF, Z, 16V	1	
C3330	ECA1CM470	E 47UF, 16V	1	
C3331	ECJ2XB1H103K	C 0.01UF, K, 50V	1	
C3332	ECJ2VF1C104Z	C 0.1UF, Z, 16V	1	
C3334	ECEA1CN470U	E 47UF, 16V	1	
C3335	ECJ2VB1C104K	C 0.1UF, K, 16V	1	
C3336	ECEA1CN470U	E 47UF, 16V	1	
C3337	ECJ2VB1C104K	C 0.1UF, K, 16V	1	
C3338	ECEA1CN470U	E 47UF, 16V	1	
C3339	ECJ2VB1C104K	C 0.1UF, K, 16V	1	
C3340-42	ECJ2VF1C104Z	C 0.1UF, Z, 16V	3	
C3701	ECJ2XC1H561K	C 560PF, K, 50V	1	
C3703	ECJ2XC1H561K	C 560PF, K, 50V	1	
C3711,12	ECJ2VF1H333Z	C 0.033UF, Z, 50V	2	
C3750,51	ECJ2XC1H102K	C 1000PF, K, 50V	2	
C4003-08	FLJ0J1060004	C 0.010UF, K, 16V	6	
C4014,15	FLJ0J1060004	C 0.010UF, K, 16V	2	
C4023	FLJ0J1060004	C 0.010UF, K, 16V	1	
C4026	ECJ0EB1A104K	C 0.1UF, K, 10V	1	
C4027	ECJ1VB1A105K	C 0.01UF, Z, 50V	1	
C4028	ECJ0EB1C103K	C 0.010UF, K, 16V	1	
C4112	FLJ0J1060004	C 0.010UF, K, 16V	1	
C4117	ECJ0EB1A104K	C 0.1UF, K, 10V	1	
C4158	ECJ1VB1A105K	C 0.01UF, Z, 50V	1	
C4159	FLH1C104A065	C 0.1UF, K, 16V	1	
C4160	ECJ0EB1A104K	C 0.1UF, K, 10V	1	
C4165	ECJ0EB1A104K	C 0.1UF, K, 10V	1	
C4168	ECJ1XC1H680J	C 68PF, J, 50V	1	
C4171	ECJ1XC1H471J	C 470PF, J, 50V	1	

Ref. No.	Part No.	Part Name & Description	Pcs	Remarks
C4172,73	FLH1C104A065	C 0.1UF, K, 16V	2	
C4174	ECJ0EB1A104K	C 0.1UF, K, 10V	1	
C4175	FLH1C104A065	C 0.1UF, K, 16V	1	
C4176	ECJ1VB0J225K	C 2.2UF, K, 6.3V	1	
C4177	ECJ2FB1C684K	C 68UF, Z, 16V	1	
C4178	ECJ1XB1C393K	C 0.039UF, K, 16V	1	
C4180	FLH1C104A065	C 0.1UF, K, 16V	1	
C4185,86	ECJ3XB0J106M	C 10UF, M,6.3V	2	
C4188	FLJ0J1060004	C 0.010UF, K, 16V	1	
C4189-91	ECJ0EB1A104K	C 0.1UF, K, 10V	3	
C4193	ECJ0EB1H102K	C 1000PF, K, 50V	1	
C4194-97	FLH1C104A065	C 0.1UF, K, 16V	4	
C4199	ECJ0EB1C103K	C0.010UF, K, 16V	1	
C4200	EEHBC1470P	C 47PF, J, 16V	1	
C4201	ECJ0EB1C103K	C0.010UF, K, 16V	1	
C4204	ECJ0EB1A104K	C 0.1UF, K, 10V	1	
C4205,06	FLH1C104A065	C 0.1UF, K, 16V	2	
C4208,09	ECJ0EB1A104K	C 0.1UF, K, 10V	2	
C4211	ECJ0EB1A104K	C 0.1UF, K, 10V	1	
C4215	ECJ0EB1A104K	C 0.1UF, K, 10V	1	
C4216	EEHBC1470P	C 47PF, J, 16V	1	
C4217	FLH1C104A065	C 0.1UF, K, 16V	1	
C4218	ECJ0EB1H102K	C 1000PF, K, 50V	1	
C4219	ECJ1VB1A105K	C 0.01UF, Z, 50V	1	
C4224	ECJ0EB1A104K	C 0.1UF, K, 10V	1	
C4227	ECJ1VB1C823K	C 0.082UF, K, 16V	1	
C4228	ECJ0EB1C103K	C0.010UF, K, 16V	1	
C4235	ECJ0EB1C103K	C0.010UF, K, 16V	1	
C4244	ECJ1VB1A105K	C 0.01UF, Z, 50V	1	
C4245	ECJ0EB1A104K	C 0.1UF, K, 10V	1	
C4248	ECJ0EB1A104K	C 0.1UF, K, 10V	1	
C4253	EEHBC1470P	C 47PF, J, 16V	1	
C4256	ECJ1VB1A105K	C 0.01UF, Z, 50V	1	
C4262-64	ECJ0EB1A104K	C 0.1UF, K, 10V	3	
C4266	ECJ0EB1C103K	C0.010UF, K, 16V	1	
C4269	ECJ1VB1A105K	C 0.01UF, Z, 50V	1	
C4272	EEHBC1470P	C 47PF, J, 16V	1	
C4273	ECJ0EB1A104K	C 0.1UF, K, 10V	1	
C4281-84	ECJ0EB1A104K	C 0.1UF, K, 10V	4	
C4287,88	ECJ0EB1A104K	C 0.1UF, K, 10V	2	
C4289,90	EEHBOJ330R	C 33PF, J, 6.3V	2	
C4291,92	ECJ0EB1A104K	C 0.1UF, K, 10V	2	
C4296	FLJ0J1060004	C 0.010UF, K, 16V	1	
C4297	ECJ0EB1A104K	C 0.1UF, K, 10V	1	
C4298-06	ECJ1VB1A105K	C 0.01UF, Z, 50V	9	
C4307-09	ECJ0EB1A104K	C 0.1UF, K, 10V	3	
C4310	ECJ0EB1C103K	C0.010UF, K, 16V	1	
C4311	ECJ0EB1A104K	C 0.1UF, K, 10V	1	
C4312	ECJ0EB1C103K	C0.010UF, K, 16V	1	
C4313,14	ECJ0EB1A104K	C 0.1UF, K, 10V	2	
C4315	FLJ0J1060004	C 0.010UF, K, 16V	1	
C4316-18	ECJ0EB1A104K	C 0.1UF, K, 10V	3	
C4320-22	ECJ0EB1A104K	C 0.1UF, K, 10V	3	
C4325	ECJ0EB1A104K	C 0.1UF, K, 10V	1	
C4327	ECJ0EB1A104K	C 0.1UF, K, 10V	1	
C4329,30	ECJ0EB1A104K	C 0.1UF, K, 10V	2	
C4331	FLJ0J1060004	C 0.010UF, K, 16V	1	
C4332	ECJ1VB1A105K	C 0.01UF, Z, 50V	1	

Ref. No.	Part No.	Part Name & Description	Pcs	Remarks
C4333-38	ECJ0EB1A104K	C 0.1UF, K, 10V	6	
C4339	ECJ1VB0J225K	C 2.2UF, K, 6.3V	1	
C4340	ECJ1XC1H471J	C 470PF, J, 50V	1	
C4341	EEHBC1470P	C 47PF, J, 16V	1	
C4342	ECJ0EB1A104K	C 0.1UF, K, 10V	1	
C4343	EEHBC100R	C 10PF, J, 16V	1	
C4344,45	FLJ0J1060004	C 0.010UF, K, 16V	2	
C4346	ECJ0EB1A104K	C 0.1UF, K, 10V	1	
C4347	ECJ1VB1A105K	C 0.01UF, Z, 50V	1	
C4348	EEHBC1470P	C 47PF, J, 16V	1	
C4349	ECJ0EB1C103K	C0.010UF, K, 16V	1	
C4350,51	ECJ1XC1H181J	C 180PF, J, 50V	2	
C4352,53	ECJ1XC1H330J	C 33PF, J, 50V	2	
C4354	ECJ0EB1C103K	C0.010UF, K, 16V	1	
C4360	ECJ1VB1A105K	C 0.01UF, Z, 50V	1	
C4362	FLJ0J1060004	C 0.010UF, K, 16V	1	
C4363,64	ECJ0EB1A104K	C 0.1UF, K, 10V	2	
C4365	ECJ1VB1A105K	C 0.01UF, Z, 50V	1	
C4366	EEHBC1470P	C 47PF, J, 16V	1	
C4367	ECJ0EB1A104K	C 0.1UF, K, 10V	1	
C4371	ECJ0EB1H102K	C 1000PF, K, 50V	1	
C4372	ECJ0EB1A104K	C 0.1UF, K, 10V	1	
C4373	ECJ1VB1A105K	C 0.01UF, Z, 50V	1	
C4374	ECJ0EB1A104K	C 0.1UF, K, 10V	1	
C4375,76	ECJ0EB1H102K	C 1000PF, K, 50V	2	
C4377	ECJ0EB1A104K	C 0.1UF, K, 10V	1	
C4379	ECJ0EB1A104K	C 0.1UF, K, 10V	1	
C4380	ECJ0EB1H102K	C 1000PF, K, 50V	1	
C4381,82	ECJ0EB1A104K	C 0.1UF, K, 10V	2	
C4383	ECJ0EB1H102K	C 1000PF, K, 50V	1	
C4384	ECJ0EB1A104K	C 0.1UF, K, 10V	1	
C4385	ECJ0EB1H102K	C 1000PF, K, 50V	1	
C4386	ECJ0EB1A104K	C 0.1UF, K, 10V	1	
C4387	ECJ0EB1H102K	C 1000PF, K, 50V	1	
C4388	ECJ1VB1A105K	C 0.01UF, Z, 50V	1	
C4389	ECJ0EB1A104K	C 0.1UF, K, 10V	1	
C4390	ECJ0EB1H102K	C 1000PF, K, 50V	1	
C4391	ECJ1VB1A105K	C 0.01UF, Z, 50V	1	
C4392	ECJ0EB1A104K	C 0.1UF, K, 10V	1	
C4393,94	ECJ0EB1H102K	C 1000PF, K, 50V	2	
C4395	ECJ0EB1A104K	C 0.1UF, K, 10V	1	
C4396	ECJ0EB1H102K	C 1000PF, K, 50V	1	
C4397,98	ECJ0EB1A104K	C 0.1UF, K, 10V	2	
C4399,00	ECJ1VB1A105K	C 0.01UF, Z, 50V	2	
C4401	ECJ0EB1A104K	C 0.1UF, K, 10V	1	
C4402,03	ECJ0EB1H102K	C 1000PF, K, 50V	2	
C4404	ECJ0EB1A104K	C 0.1UF, K, 10V	1	
C4405	ECJ1VB1A105K	C 0.01UF, Z, 50V	1	
C4406	ECJ0EB1H102K	C 1000PF, K, 50V	1	
C4407,08	ECJ0EB1A104K	C 0.1UF, K, 10V	2	
C4409	ECJ0EB1H102K	C 1000PF, K, 50V	1	
C4410	ECJ1VB1A105K	C 0.01UF, Z, 50V	1	
C4411,12	ECJ0EB1A104K	C 0.1UF, K, 10V	2	
C4413,14	ECJ0EB1H102K	C 1000PF, K, 50V	2	
C4415	ECJ0EB1A104K	C 0.1UF, K, 10V	1	
C4417	EEHBC1470P	C 47PF, J, 16V	1	
C4418,19	ECJ1VB1A105K	C 0.01UF, Z, 50V	2	
C4420,21	ECJ0EB1A104K	C 0.1UF, K, 10V	2	
C4422-24	ECJ0EB1H102K	C 1000PF, K, 50V	3	

Ref. No.	Part No.	Part Name & Description	Pcs	Remarks
C4425,26	ECJ0EB1A104K	C 0.1UF, K, 10V	2	
C4427	ECJ0EB1H102K	C 1000PF, K, 50V	1	
C4428	ECJ0EB1A104K	C 0.1UF, K, 10V	1	
C4429,30	ECJ0EB1H102K	C 1000PF, K, 50V	2	
C4434	ECJ0EB1H102K	C 1000PF, K, 50V	1	
C4435	ECJ1VB1A105K	C 0.01UF, Z, 50V	1	
C4436-39	ECJ0EB1H102K	C 1000PF, K, 50V	4	
C4440	ECJ0EB1A104K	C 0.1UF, K, 10V	1	
C4441,42	ECJ0EB1H102K	C 1000PF, K, 50V	2	
C4447	ECJ1VB1A105K	C 0.01UF, Z, 50V	1	
C4448	ECJ0EB1C103K	C0.010UF, K, 16V	1	
C4451	ECJ0EB1H102K	C 1000PF, K, 50V	1	
C4452	ECJ0EB1A104K	C 0.1UF, K, 10V	1	
C4453,54	ECJ0EB1H102K	C 1000PF, K, 50V	2	
C4455	ECJ1VB1A105K	C 0.01UF, Z, 50V	1	
C4456	ECJ0EB1A104K	C 0.1UF, K, 10V	1	
C4457,58	ECJ0EB1H102K	C 1000PF, K, 50V	2	
C4459	ECJ0EB1A104K	C 0.1UF, K, 10V	1	
C4460	ECJ0EB1H102K	C 1000PF, K, 50V	1	
C4461	ECJ1XC1H820J	C 82PF, J, 50V	1	
C4462	ECJ0EB1A104K	C 0.1UF, K, 10V	1	
C4464	ECJ1VB1A105K	C 0.01UF, Z, 50V	1	
C4465	ECJ0EB1A104K	C 0.1UF, K, 10V	1	
C4466	ECJ0EB1C103K	C0.010UF, K, 16V	1	
C4467	ECJ0EB1A104K	C 0.1UF, K, 10V	1	
C4470	ECJ1VB1A105K	C 0.01UF, Z, 50V	1	
C4474	ECJ1VB1A105K	C 0.01UF, Z, 50V	1	
C4475,76	ECJ0EB1H102K	C 1000PF, K, 50V	2	
C4477	ECJ0EB1A104K	C 0.1UF, K, 10V	1	
C4478	ECJ1VB1A105K	C 0.01UF, Z, 50V	1	
C4479-81	ECJ0EB1H102K	C 1000PF, K, 50V	3	
C4482	ECJ1XC1H180J	C 18PF, J, 50V	1	
C4483	ECJ1XC1H150J	C 15PF, J, 50V	1	
C4493	ECJ0EB1A104K	C 0.1UF, K, 10V	1	
C4494	ECJ1VB1A105K	C 0.01UF, Z, 50V	1	
C4496	ECJ0EB1A104K	C 0.1UF, K, 10V	1	
C4497	EEHBOG101R	C 100PF, J, 4V	1	
C4498	ECJ1XC1H471J	C 470PF, J, 50V	1	
C4499	EEFCD0G560ER	56UF,	1	
C4501	ECJ0EB1A104K	C 0.1UF, K, 10V	1	
C4502	ECJ0EB1C103K	C0.010UF, K, 16V	1	
C4503	ECJ0EB1A104K	C 0.1UF, K, 10V	1	
C4504	ECJ0EB1C103K	C0.010UF, K, 16V	1	
C4505	ECJ0EB1A104K	C 0.1UF, K, 10V	1	
C4506	ECJ0EB1C103K	C0.010UF, K, 16V	1	
C4507	ECJ0EB1A104K	C 0.1UF, K, 10V	1	
C4508	ECJ0EB1C103K	C0.010UF, K, 16V	1	
C4509-11	ECJ0EB1A104K	C 0.1UF, K, 10V	3	
C4512	ECJ0EB1C103K	C0.010UF, K, 16V	1	
C4513	ECJ0EB1A104K	C 0.1UF, K, 10V	1	
C4514	ECJ0EB1C103K	C0.010UF, K, 16V	1	
C4515,16	ECJ0EB1A104K	C 0.1UF, K, 10V	2	
C4517	ECJ0EB1C103K	C0.010UF, K, 16V	1	
C4518	ECJ0EB1A104K	C 0.1UF, K, 10V	1	
C4519	ECJ0EB1C103K	C0.010UF, K, 16V	1	
C4520	ECJ0EB1A104K	C 0.1UF, K, 10V	1	
C4521	ECJ0EB1C103K	C0.010UF, K, 16V	1	
C4522	ECJ0EB1A104K	C 0.1UF, K, 10V	1	
C4523	ECJ0EB1C103K	C0.010UF, K, 16V	1	
C4524	ECJ0EB1A104K	C 0.1UF, K, 10V	1	
C4525	ECJ0EB1C103K	C0.010UF, K, 16V	1	
C4526	ECJ0EB1A104K	C 0.1UF, K, 10V	1	
C4527	ECJ0EB1C103K	C0.010UF, K, 16V	1	
C4528	EEHBL1C470P	C 47PF, J, 16V	1	
C4529	ECJ0EB1A104K	C 0.1UF, K, 10V	1	

Ref. No.	Part No.	Part Name & Description	Pcs	Remarks
C4530,31	ECJ0EB1H102K	C 1000PF, K, 50V	2	
C4532,33	ECJ0EB1A104K	C 0.1UF, K, 10V	2	
C4534	ECJ0EB1H102K	C 1000PF, K, 50V	1	
C4535	ECJ0EB1A104K	C 0.1UF, K, 10V	1	
C4536	ECJ1VB1A105K	C 0.01UF, Z, 50V	1	
C4537	EEHBOG101R	C 100PF, J, 4V	1	
C4538	ECJ0EB1A104K	C 0.1UF, K, 10V	1	
C4539	ECJ1VB1A105K	C 0.01UF, Z, 50V	1	
C4540	ECJ0EB1H102K	C 1000PF, K, 50V	1	
C4541	ECJ0EB1A104K	C 0.1UF, K, 10V	1	
C4543	F1H1C104A065	C 0.1UF, K, 16V	1	
C4544	ECJ1VB1C105K	C 0.01UF, K, 16V	1	
C5604	ECA1HHG100	E 10UF, 50V	1	
C5605	EEUFCL1E471	E 470UF, 25V	1	
C5606	ECA1CM471	E 470UF, 16V	1	
C5609	ECA1HM220	E 22UF, 50V	1	
C5611	F2A1H331A257	E 330UF, 50V	1	
C5612	ECA1CM471	E 470UF, 16V	1	
C5613	ECJ1VB1E104K	C 0.10UF, K, 25V	1	
C5616	ECJ1VB1E104K	C 0.10UF, K, 25V	1	
C5617	ECA1CM471	E 470UF, 16V	1	
C5618,19	ECJ1VB1E104K	C 0.10UF, K, 25V	2	
C5622	ECA1CM471	E 470UF, 16V	1	
C5623	ECJ1VB1E104K	C 0.10UF, K, 25V	1	
C5626	ECJ1XF1C104Z	C 0.1UF, Z, 16V	1	
C5633	ECA1EM221	E 220UF, 25V	1	
C5637	ECJ1XF1C104Z	C 0.1UF, Z, 16V	1	
C5641-44	ECJ1XF1C104Z	C 0.1UF, Z, 16V	4	
C5645	ECA1CHG470	E 47UF, 16V	1	
C5646	ECJ1VB1H103K	C 0.001UF, K, 50V	1	
C5647	ECA1CHG470	E 47UF, 16V	1	
C5648	ECJ1VB1H103K	C 0.001UF, K, 50V	1	
C5670	ECJ1VB1E104K	C 0.10UF, K, 25V	1	
C5672	ECA1HHG100	E 10UF, 50V	1	
C5673	ECJ1XF1C104Z	C 0.1UF, Z, 16V	1	
C5685	ECA1HHG100	E 10UF, 50V	1	
C5686	ECJ2XB1H103K	C 0.01UF, K, 50V	1	
C5801,02	EEUFCL1E471	E 470UF, 25V	2	
C5804	ECJ1XF1C104Z	C 0.1UF, Z, 16V	1	
C5805	ECJ2VF1C105Z	C 1UF, Z, 16V	1	
C5809	ECJ3XF1E105Z	C 1UF, Z, 25V	1	
C5810	ECA1EHG470	E 47UF, 25V	1	
C6001	F1L2J332A022	C 3300UF, K, 6.3V	1	
C6002	F1L2J222A022	C 2200UF, K, 6.3V	1	
C6011-15	F2A2T201A001	E 200UF,	5	
C6021,22	F1L2J272A022	C 2700UF, K, 6.3V	2	
C6031	ECQE2255JF	P 2.5UF, K, 250V	1	
C6041-44	TCUY1C105ZFN	C 1UF, 16V	4	
C6091	F1L2J1020001	C 1000UF, K, 6.3V	1	
C6111,12	F2A2D221A022	E 220UF, 200V	2	
C6132	F1L1E4750004	C 4.7UF, 25V	1	
C6134,35	F1L1E4750004	C 4.7UF, 25V	2	
C6151	ECJ3YB1E105K	C 1UF, K, 25V	1	
C6152-55	F1L1E4750004	C 4.7UF, 25V	4	
C6192	ECJ3YB1E105K	C 1UF, K, 25V	1	
C6194,95	F1L1E4750004	C 4.7UF, 25V	2	
C6201,02	F0C2E405A176	E 0.040UF, 250V	2	
C6211,12	F1L1E4750004	C 4.7UF, 25V	2	
C6213,14	ECA1EM471	E 470UF, 25V	2	
C6221	ECJ2XB1H104K	C 0.1UF, K, 50V	1	
C6241	ECA1EM471	E 470UF, 25V	1	

Ref. No.	Part No.	Part Name & Description	Pcs	Remarks
C6242	TCUY1C105ZFN	C 1UF, 16V	1	
C6243	ECJ2XB1H103K	C 0.01UF, K, 50V	1	
C6251	TCUY1C105ZFN	C 1UF, 16V	1	
C6261,6	ECA2CM101	E 100UF, 160V	2	
C6271	ECJ3YB1E105K	C 1UF, K, 25V	1	
C6272,7	EEUFC1E221	E 220UF, 25V	2	
C6401	F1L2J332A022	C 3300UF, K,6.3V	1	
C6402	F1L2J222A022	C 2200UF, K,6.3V	1	
C6411-15	F2A2T201A001	E 200UF,	5	
C6421,2	F1L2J272A022	C 2700UF, K,6.3V	2	
C6431	FOC2E405A176	E 0.040UF, 250V	1	
C6472	ECJ2XB1H104K	C 0.1UF, K, 50V	1	
C6480	ECJ2XB1H104K	C 0.1UF, K, 50V	1	
C6502	F1L1E4750004	C 4.7UF, 25V	1	
C6504,0	F1L1E4750004	C 4.7UF, 25V	2	
C6511,1	FOC2E405A176	E 0.040UF, 250V	2	
C6521	ECJ3YB1E105K	C 1UF, K, 25V	1	
C6522	F1L1E4750004	C 4.7UF, 25V	1	
C6524,2	F1L1E4750004	C 4.7UF, 25V	2	
C6527	F1L1E4750004	C 4.7UF, 25V	1	
C6561	F2A1A1010074	E 100UF, 10V	1	
C6563	F2A1A1010074	E 100UF, 10V	1	
C6565,6	ECJ2XB1H103K	C 0.01UF, K, 50V	2	
C6581	ECJ3YB1E105K	C 1UF, K, 25V	1	
C6582	TCUY1C105ZFN	C 1UF, 16V	1	
C6591	ECJ3YB1E105K	C 1UF, K, 25V	1	
C6592	ECA1EM471	E 470UF, 25V	1	
C6593	ECJ2XC1H102J	C 1000PF, J, 50V	1	
C6601,0	F1L1E4750004	C 4.7UF, 25V	2	
C6603	F1K2J102A014	C 1000UF, K,6.3V	1	
C6604	F2A2V470A020	E 47UF, 350V	1	
C6605	ECJ2XB1H104K	C 0.1UF, K, 50V	1	
C6606	F1K2J102A014	C 1000UF, K,6.3V	1	
C6610	ECJ3YB1E105K	C 1UF, K, 25V	1	
C6611	ECJ2XB1H103K	C 0.01UF, K, 50V	1	
C6612	ECJ3YB1E105K	C 1UF, K, 25V	1	
C6620	ECJ3XB2J222K	C 2200PF, K,630V	1	
C6641	ECQE2224KF	P 2.2UF, K,250V	1	
C6661,6	F1K2J102A014	C 1000UF, K,6.3V	2	
C6671	F1L1E4750004	C 4.7UF, 25V	1	
C6681,8	F1L1E4750004	C 4.7UF, 25V	2	
C6683	ECJ2XB1H104K	C 0.1UF, K, 50V	1	
C6691	ECA2CM101	E 100UF, 160V	1	
C6701-08	ECJ2XB1H104K	C 0.1UF, K, 50V	8	
C6721	ECA1HM101	E 100UF, 50V	1	
C6723-25	F1L1E4750004	C 4.7UF, 25V	3	
C6726,2	TCUY1C105ZFN	C 1UF, 16V	2	
C6728	ECJ2XC1H102J	C 1000PF, J, 50V	1	
C6752	TCUY1C105ZFN	C 1UF, 16V	1	
C6753	F1L1E4750004	C 4.7UF, 25V	1	
C6754	ECA1VM470	E 47UF, 35V	1	
C6755	ECJ2XB1H104K	C 0.1UF, K, 50V	1	
C6771	TCUY1C105ZFN	C 1UF, 16V	1	
C6772,7	F1L1E4750004	C 4.7UF, 25V	2	
C6775	F1L1E4750004	C 4.7UF, 25V	1	
C6776,7	ECJ2XB1H104K	C 0.1UF, K, 50V	2	
C6791	EEUFC1E221	E 220UF, 25V	1	
C6795,9	EEUFC1E221	E 220UF, 25V	2	
C6802	EEUFC1E221	E 220UF, 25V	1	

Ref. No.	Part No.	Part Name & Description	Pcs	Remarks
C6803	ECJ2XB1H104K	C 0.1UF, K, 50V	1	
C6804	F2A2E100A022	E 10UF, 250V	1	
C6805	TCUY1C105ZFN	C 1UF, 16V	1	
C6806,0	ECA2CM101	E 100UF, 160V	2	
C6811	ECJ2XB1H103K	C 0.01UF, K, 50V	1	
C6812	ECJ3YB1E105K	C 1UF, K, 25V	1	
C6822	F2A2V100A019	E 10UF, 350V	1	
C6823	ECJ2XB1H103K	C 0.01UF, K, 50V	1	
C6841,4	ECA2CM101	E 100UF, 160V	2	
C6845	ECJ2XB1H103K	C 0.01UF, K, 50V	1	
C6861	TCUY1C105ZFN	C 1UF, 16V	1	
C6862	ECJ3YB1E105K	C 1UF, K, 25V	1	
C6863	ECJ2XB1H103K	C 0.01UF, K, 50V	1	
C6871	TCUY1C105ZFN	C 1UF, 16V	1	
C6872	ECJ3YB1E105K	C 1UF, K, 25V	1	
C6873	ECJ2XB1H103K	C 0.01UF, K, 50V	1	
C6901	ECJ2XB1H102K	C 1000PF, K, 50V	1	
C6902	TCUY1C105ZFN	C 1UF, 16V	1	
C6904	TCUY1C105ZFN	C 1UF, 16V	1	
C6906	TCUY1C105ZFN	C 1UF, 16V	1	
C6908	TCUY1C105ZFN	C 1UF, 16V	1	
C6910	TCUY1C105ZFN	C 1UF, 16V	1	
C6912	TCUY1C105ZFN	C 1UF, 16V	1	
C6914-18	ECJ2XB1H221K	C 220PF, K, 50V	5	
C6931	ECJ2XB1H102K	C 1000PF, K, 50V	1	
C6932-35	F1L2E105A013	E 0.10UF, 25V	4	
C6951	ECJ2XB1H102K	C 1000PF, K, 50V	1	
C6952	TCUY1C105ZFN	C 1UF, 16V	1	
C6955	TCUY1C105ZFN	C 1UF, 16V	1	
C6957,5	TCUY1C105ZFN	C 1UF, 16V	2	
C6961	TCUY1C105ZFN	C 1UF, 16V	1	
C6963	TCUY1C105ZFN	C 1UF, 16V	1	
C6964-68	ECJ2XB1H221K	C 220PF, K, 50V	5	
C6981	ECJ2XB1H102K	C 1000PF, K, 50V	1	
C6982-85	F1L2E105A013	E 0.10UF, 25V	4	
C7108	ECJ3XB2A474K	C 0.47UF, 6.3V	1	
C7110	TCUY1C105ZFN	C 1UF, 16V	1	
C7111,1	ECJ3XB2A474K	C 0.47UF, 6.3V	2	
C7114	TCUY1C105ZFN	C 1UF, 16V	1	
C7115	ECJ3XB2A474K	C 0.47UF, 6.3V	1	
C7116	TCUY1C105ZFN	C 1UF, 16V	1	
C7117	ECJ1XC1H101J	C 100PF, J, 50V	1	
C7119	ECJ3XB2A474K	C 0.47UF, 6.3V	1	
C7121	TCUY1C105ZFN	C 1UF, 16V	1	
C7122	ECJ3XB2A474K	C 0.47UF, 6.3V	1	
C7123	TCUY1C105ZFN	C 1UF, 16V	1	
C7124	ECJ1XC1H101J	C 100PF, J, 50V	1	
C7126	TCUY1C105ZFN	C 1UF, 16V	1	
C7127	ECJ1XC1H101J	C 100PF, J, 50V	1	
C7130	ECJ1XB1C104K	C 0.1UF, Z, 16V	1	
C7134	ECJ1XB1C104K	C 0.1UF, Z, 16V	1	
C7137,3	ECJ1XB1C104K	C 0.1UF, Z, 16V	2	
C7140	TCUY1C105ZFN	C 1UF, 16V	1	
C7141	ECJ1XC1H101J	C 100PF, J, 50V	1	
C7143	ECJ3XB2A474K	C 0.47UF, 6.3V	1	
C7145	TCUY1C105ZFN	C 1UF, 16V	1	
C7146	ECJ3XB2A474K	C 0.47UF, 6.3V	1	
C7148	ECJ1XB1C104K	C 0.1UF, Z, 16V	1	
C7201	ECJ3XB2A474K	C 0.47UF, 6.3V	1	
C7203	TCUY1C105ZFN	C 1UF, 16V	1	
C7204,0	ECJ3XB2A474K	C 0.47UF, 6.3V	2	
C7207	TCUY1C105ZFN	C 1UF, 16V	1	
C7208	ECJ3XB2A474K	C 0.47UF, 6.3V	1	
C7209	TCUY1C105ZFN	C 1UF, 16V	1	
C7210	ECJ1XC1H101J	C 100PF, J, 50V	1	

Ref. No.	Part No.	Part Name & Description	Pcs	Remarks
C7212	ECJ3XB2A474K	C 0.47UF, 6.3V	1	
C7214	TCUY1C105ZFN	C 1UF, 16V	1	
C7215	ECJ3XB2A474K	C 0.47UF, 6.3V	1	
C7216	TCUY1C105ZFN	C 1UF, 16V	1	
C7217	ECJ1XC1H101J	C 100PF, J, 50V	1	
C7219	TCUY1C105ZFN	C 1UF, 16V	1	
C7220	ECJ1XC1H101J	C 100PF, J, 50V	1	
C7223	ECJ1XB1C104K	C 0.1UF, Z, 16V	1	
C7225	ECJ1XB1C104K	C 0.1UF, Z, 16V	1	
C7227	ECJ1XB1C104K	C 0.1UF, Z, 16V	1	
C7229	ECJ1XB1C104K	C 0.1UF, Z, 16V	1	
C7235	TCUY1C105ZFN	C 1UF, 16V	1	
C7236	ECJ1XC1H101J	C 100PF, J, 50V	1	
C7238	ECJ3XB2A474K	C 0.47UF, 6.3V	1	
C7240	TCUY1C105ZFN	C 1UF, 16V	1	
C7241	ECJ3XB2A474K	C 0.47UF, 6.3V	1	
C7244	ECJ1XB1C104K	C 0.1UF, Z, 16V	1	
C8001	ECJ0EB1C103K	C0.010UF, K, 16V	1	
C8002	ECJ0EB1A104K	C 0.1UF, K, 10V	1	
C8003	ECJ0EB1C103K	C0.010UF, K, 16V	1	
C8004	ECJ0EB1A104K	C 0.1UF, K, 10V	1	
C8005	EEEB1C100R	C 10PF, J, 16V	1	
C8007	ECJ0EB1H102K	C 1000PF, K, 50V	1	
C8015	ECJ1VC1H080C	C 8PF, C, 50V	1	
C8019,20	ECJ0EB1C103K	C0.010UF, K, 16V	2	
C8021	ECJ0EB1H102K	C 1000PF, K, 50V	1	
C8030	ECJ0EB1C103K	C0.010UF, K, 16V	1	
C8034,35	ECJ0EF1C104Z	C 0.10UF, Z, 16V	2	
C8037	ECJ0EB1C103K	C0.010UF, K, 16V	1	
C8039,40	ECJ0EB1C103K	C0.010UF, K, 16V	2	
C8041	EEEB0G101R	C 100PF, J, 4V	1	
C8042,43	ECJ1VC1H100C	C 10PF, C, 50V	2	
C8046-48	ECJ0EB1C103K	C0.010UF, K, 16V	3	
C8051,52	ECJ0EB1C103K	C0.010UF, K, 16V	2	
C8055	EEEB1C470P	C 47PF, J, 16V	1	
C8056	ECJ0EB1C103K	C0.010UF, K, 16V	1	
C8058-61	ECJ0EB1C103K	C0.010UF, K, 16V	4	
C8062	F1G1A1540001	C 0.15UF, K, 10V	1	PAVCCZ
C8071	ECJ0EC1H270J	C 270PF, K, 50V	1	
C8073	ECJ0EC1H270J	C 270PF, K, 50V	1	
C8098	ECGRL0G680ER	C 68PF, J, 4V	1	
C8099,00	ECJ0EB1A104K	C 0.1UF, K, 10V	2	
C8101,02	ECJ1VB0J105K	C 1UF, K, 6.3V	2	
C8103,04	ECJ0EB1A104K	C 0.1UF, K, 10V	2	
C8105	EEEB0G101R	C 100PF, J, 4V	1	
C8106,07	ECJ1VB0J105K	C 1UF, K, 6.3V	2	
C8108	ECJ0EB1A104K	C 0.1UF, K, 10V	1	
C8109	EEEB0G101R	C 100PF, J, 4V	1	
C8110	ECJ0EB1A104K	C 0.1UF, K, 10V	1	
C8121	ECJ0EB1A104K	C 0.1UF, K, 10V	1	
C8128,29	ECJ0EB1C103K	C0.010UF, K, 16V	2	
C8134	ECJ0EB1C103K	C0.010UF, K, 16V	1	
C8135	ECJ0EB1A473K	C 0.047UF, K, 10V	1	
C8136	ECGRL0G680ER	C 68PF, J, 4V	1	
C8138	ECJ0EB1C103K	C0.010UF, K, 16V	1	
C8139	ECGRL0G680ER	C 68PF, J, 4V	1	
C8140	ECJ0EB1A104K	C 0.1UF, K, 10V	1	
C8141	ECJ0EB1C103K	C0.010UF, K, 16V	1	
C8142	ECJ0EB1A104K	C 0.1UF, K, 10V	1	
C8143	ECJ0EB1C103K	C0.010UF, K, 16V	1	
C8144	ECJ0EB1A104K	C 0.1UF, K, 10V	1	
C8145	ECJ0EB1C103K	C0.010UF, K, 16V	1	
C8146	ECJ0EB1A104K	C 0.1UF, K, 10V	1	

Ref. No.	Part No.	Part Name & Description	Pcs	Remarks
C8147	ECJ0EB1C103K	C0.010UF, K, 16V	1	
C8148	ECJ0EB1A104K	C 0.1UF, K, 10V	1	
C8149	ECJ1VB0J105K	C 1UF, K, 6.3V	1	
C8150	ECJ0EB1C103K	C0.010UF, K, 16V	1	
C8151	ECJ0EB1A104K	C 0.1UF, K, 10V	1	
C8154-56	ECJ0EB1A104K	C 0.1UF, K, 10V	3	
C8157	ECJ0EB1C103K	C0.010UF, K, 16V	1	
C8160	ECJ0EB1A104K	C 0.1UF, K, 10V	1	
C8161-64	ECJ0EB1C103K	C0.010UF, K, 16V	4	
C8165	ECJ0EB1A104K	C 0.1UF, K, 10V	1	
C8166	ECJ0EB1C103K	C0.010UF, K, 16V	1	
C8167	ECJ0EB1A104K	C 0.1UF, K, 10V	1	
C8168	ECJ0EB1C103K	C0.010UF, K, 16V	1	
C8169	EEEB0G470R	C 47PF, J, 4V	1	
C8170	ECJ0EF1C104Z	C 0.10UF, Z, 16V	1	
C8171	ECJ0EB1A104K	C 0.1UF, K, 10V	1	
C8172	EEEB0G470R	C 47PF, J, 4V	1	
C8173-75	ECJ0EB1C103K	C0.010UF, K, 16V	3	
C8176	ECJ0EF1C104Z	C 0.10UF, Z, 16V	1	
C8182	ECJ0EC1H121J	C 120PF, K, 50V	1	
C8186	ECJ0EC1H680J	C 680PF, K, 50V	1	
C8189	ECJ0EF1C104Z	C 0.10UF, Z, 16V	1	
C8193	EEEB0J101P	C 100PF, J, 6.3V	1	
C8202,03	EEEB1C470P	C 47PF, J, 16V	2	
C8204	ECJ3XB1C106M	C 1.0UF, K, 16V	1	
C8205,06	ECJ0EB1A104K	C 0.1UF, K, 10V	2	
C8207	EEEB1C470P	C 47PF, J, 16V	1	
C8208	ECJ3XB1C106M	C 1.0UF, K, 16V	1	
C8210	ECJ0EB1A333K	C 0.033UF, K, 10V	1	
C8212	ECJ0EB1C223K	C 0.022UF, K, 16V	1	
C8240	ECJ1VB0J105K	C 1UF, K, 6.3V	1	
C8268	ECJ1VB0J105K	C 1UF, K, 6.3V	1	
C8269	ECJ0EB1A104K	C 0.1UF, K, 10V	1	
C8303	ECJ0EB1C103K	C0.010UF, K, 16V	1	
C8305,06	ECJ0EB1C103K	C0.010UF, K, 16V	2	
C8314	ECJ0EF1C104Z	C 0.10UF, Z, 16V	1	
C8315	ECJ2FF1A475Z	C 4.7UF, Z, 10V	1	
C8317,18	ECJ2FF1A475Z	C 4.7UF, Z, 10V	2	
C8319	ECJ0EF1C104Z	C 0.10UF, Z, 16V	1	
C8320-23	ECJ1VB0J105K	C 1UF, K, 6.3V	4	
C8327	EEEB1C470P	C 47PF, J, 16V	1	
C8329	ECJ0EB1C103K	C0.010UF, K, 16V	1	
C8330,31	ECJ0EC1H181J	C 180PF, K, 50V	2	
C8332	ECJ0EB1C103K	C0.010UF, K, 16V	1	
C8334,35	ECJ0EC1H330J	C 330PF, K, 50V	2	
C8340	ECJ0EB1C682K	C 6800UF, K, 16V	1	
C8341	ECJ0EB1C822K	C 8200UF, K, 16V	1	
C8342,43	ECGRL0G680ER	C 68PF, J, 4V	2	
C8344	ECJ1VB1H332K	C 3300PF, K, 50V	1	
C8345	ECJ0EB1C153K	C 0.015UF, K, 16V	1	
C8349	ECJ0EB1A104K	C 0.1UF, K, 10V	1	
C8350,51	ECJ0EF1C104Z	C 0.10UF, Z, 16V	2	
C8361	EEEB1C470P	C 47PF, J, 16V	1	
C8372	ECJ0EB1A104K	C 0.1UF, K, 10V	1	
C8376	ECJ0EB1A104K	C 0.1UF, K, 10V	1	
C8397	ECJ0EB1A104K	C 0.1UF, K, 10V	1	
C8401	ECJ0EB1C103K	C0.010UF, K, 16V	1	
C8403,04	ECJ0EF1C104Z	C 0.10UF, Z, 16V	2	
C8406	ECJ0EF1C104Z	C 0.10UF, Z, 16V	1	
C8409	ECJ0EF1C104Z	C 0.10UF, Z, 16V	1	
C8410	ECJ0EB1A104K	C 0.1UF, K, 10V	1	
C8413,14	ECJ0EF1C104Z	C 0.10UF, Z, 16V	2	

Ref. No.	Part No.	Part Name & Description	Pcs	Remarks
C8416,17	ECJ0EF1C104Z	C 0.10UF, Z, 16V	2	
C8419	ECJ0EF1C104Z	C 0.10UF, Z, 16V	1	
C8421	ECJ0EB1C103K	C0.010UF, K, 16V	1	
C8423	ECJ0EB1A104K	C 0.1UF, K, 10V	1	
C8424	ECJ0EF1C104Z	C 0.10UF, Z, 16V	1	
C8425	ECJ0EB1A104K	C 0.1UF, K, 10V	1	
C8427	F2G1A101A019	E 100UF, 10V	1	
C8428	ECJ0EF1C104Z	C 0.10UF, Z, 16V	1	
C8430-32	ECJ0EF1C104Z	C 0.10UF, Z, 16V	3	
C8433,34	ECJ0EB1C103K	C0.010UF, K, 16V	2	
C8467	ECJ0EB1C103K	C0.010UF, K, 16V	1	
C8501,02	ECJ0EC1H180J	C 180PF, K, 50V	2	
C8504	ECJ1VF1A105Z	C 1UF, Z, 10V	1	
C8506	ECJ2VF1C105Z	C 1UF, Z, 16V	1	
C8507	ECJ1XC1H102J	C 1000PF, J, 50V	1	
C8508	ECJ1XF1C334Z	C 0.33UF, Z, 16V	1	
C8509	EEHBOJ101P	C 100PF, J, 6.3V	1	
C8701	ECJ0EF1C104Z	C 0.10UF, Z, 16V	1	
C8870	ECJ1XC1H471J	C 470PF, J, 50V	1	
C8872	ECJ2FB0J225K	C 2.2UF, Z, 16V	1	
C8910	ECJ0EB1C103K	C0.010UF, K, 16V	1	
C9028,29	FLJ0J1060004	C 0.010UF, K, 16V	2	
C9033,34	ECJ1XF1C104Z	C 0.1UF, Z, 16V	2	
C9035,36	FLJ0J1060004	C 0.010UF, K, 16V	2	
C9037	ECJ1VB1H103K	C 0.001UF, K, 50V	1	
C9039	FLJ0J1060004	C 0.010UF, K, 16V	1	
C9040	ECJ1XF1C104Z	C 0.1UF, Z, 16V	1	
C9044-53	ECJ1XF1C104Z	C 0.1UF, Z, 16V	10	
C9055-57	ECJ1XF1C104Z	C 0.1UF, Z, 16V	3	
C9058	FLJ0J1060004	C 0.010UF, K, 16V	1	
C9467,68	ECJ1VF1H103Z	C 0.010UF, Z, 50V	2	
C9469	ECJ1XF1C104Z	C 0.1UF, Z, 16V	1	
C9500-06	ECJ1XB1C104K	C 0.1UF, Z, 16V	7	
C9508	ECJ1XB1C104K	C 0.1UF, Z, 16V	1	
C9509	ECJ1VC1H200J	C 20PF, C, 50V	1	
C9510	ECJ1XC1H150J	C 15PF, J, 50V	1	
C9511	FLJ0J1060004	C 0.010UF, K, 16V	1	
C9512	ECJ1XF1C104Z	C 0.1UF, Z, 16V	1	
C9514,15	ECJ2VF1C105Z	C 1UF, Z, 16V	2	
C9516-25	ECJ1XB1C104K	C 0.1UF, Z, 16V	10	
C9526	FLJ0J1060004	C 0.010UF, K, 16V	1	
C9527-30	ECJ1XB1C104K	C 0.1UF, Z, 16V	4	
C9531	FLJ0J1060004	C 0.010UF, K, 16V	1	
C9800	ECJ1XB1C104K	C 0.1UF, Z, 16V	1	
C9801	ECJ1VB1H472K	C 4700PF, K, 50V	1	
C9802	ECJ1XC1H470J	C 47PF, J, 50V	1	
C9803	ECJ1VB1H472K	C 4700PF, K, 50V	1	
C9804	ECJ1XB1C104K	C 0.1UF, Z, 16V	1	
C9805	ECJ1VB0J475K	C 4.7UF, K, 6.3V	1	
C9806	ECGRLOG680ER	C 68PF, J, 4V	1	
C9807,08	ECJ3YB1E106M	C 10 UF, K, 25V	2	
C9809	ECJ1XB1C104K	C 0.1UF, Z, 16V	1	
C9815,16	ECGRLOG680ER	C 68PF, J, 4V	2	
C9817,18	ECJ3YB1E106M	C 10 UF, K, 25V	2	
C9822	FLJ0J1060004	C 0.010UF, K, 16V	1	
C9823,24	ECJ3YB1E106M	C 10 UF, K, 25V	2	
C9825	ECJ1XC1H101K	C 100PF, K, 50V	1	
C9826	ECJ1XF1C104Z	C 0.1UF, Z, 16V	1	

Ref. No.	Part No.	Part Name & Description	Pcs	Remarks
C9827	FLJ0J1060004	C 0.010UF, K, 16V	1	
C9830-32	ECJ3XB1C106M	C 1.0UF, K, 16V	3	
C9833	ECJ3YB1E106M	C 10 UF, K, 25V	1	
C9837	ECJ3XB1C106M	C 1.0UF, K, 16V	1	
C9838	ECJ1XF1C104Z	C 0.1UF, Z, 16V	1	
C9839	ECJ3YB1E106M	C 10 UF, K, 25V	1	
C9840	ECJ1XF1C104Z	C 0.1UF, Z, 16V	1	
C9841,42	ECJ2VF1C105Z	C 1UF, Z, 16V	2	
C9843	ECJ1XF1C104Z	C 0.1UF, Z, 16V	1	
C9844	ECJ1VF1H103Z	C 0.010UF, Z, 50V	1	
C9845,46	ECJ1XF1C104Z	C 0.1UF, Z, 16V	2	
C9847,48	ECJ1VB1E104K	C 0.10UF, K, 25V	2	
C9880,81	ECJ1XB1H102K	C 1000UF, Z, 50V	2	
C9882	ECJ1XB1C104K	C 0.1UF, Z, 16V	1	
C9883	ECJ1VB1H822K	C 8200PF, K, 50V	1	
C9884	ECJ1VC1H100C	C 10PF, C, 50V	1	
C9885	ECJ1XB1H102K	C 1000UF, Z, 50V	1	
C9886	ECJ1XB1C104K	C 0.1UF, Z, 16V	1	
C9887	ECJ1VB0J475K	C 4.7UF, K, 6.3V	1	
C9891	ECJ1XB1C104K	C 0.1UF, Z, 16V	1	
C9896	ECJ1XB1C104K	C 0.1UF, Z, 16V	1	
C9897	ECJ1VB1H822K	C 8200PF, K, 50V	1	
C9898	ECJ1VC1H100C	C 10PF, C, 50V	1	
C9899	ECJ1XB1H102K	C 1000UF, Z, 50V	1	
C9900-51	ECJ1XB1C104K	C 0.1UF, Z, 16V	52	
C9952-54	EEFCD0G560ER	56UF,	3	
C9955-59	ECJ1XB1C104K	C 0.1UF, Z, 16V	5	
C9960-64	ECJ3XB0J106M	C 10UF, M,6.3V	5	
C9965	EEFCD0G560ER	56UF,	1	
C9966	ECJ1XB1C104K	C 0.1UF, Z, 16V	1	
C9967	ECJ1VB0J475K	C 4.7UF, K, 6.3V	1	
C9971	ECJ1XB1C104K	C 0.1UF, Z, 16V	1	
CB1-B8	K1MN68BA0002	68P CONNECTOR	8	
D3	K1KY40B00003	40P CONNECTOR	1	
D5	K1KB31BA0064	31P CONNECTOR	1	
D6	K1KA21A00011	21P CONNECTOR	1	
D20	K1KA20BA0296	20P CONNECTOR	1	
D25	K1KA20B00155	20P CONNECTOR	1	
D31,32	K1MN55BA0094	55P CONNECTOR	2	
D1106,07	MA729	DIODE	2	
D1117	MA3036L	ZENER DIODE	1	
D1119	MA704A	DIODE	1	
D1121	MA729	DIODE	1	
D2011-14	MA111	DIODE	4	
D2119	BOBC01100001	ZENER DIODE	1	
D2300,01	MA111	DIODE	2	
D2303,04	MA111	DIODE	2	
D2309	MA111	DIODE	1	
D2510,11	MA8056-M	ZENER DIODE	2	
D2512	MA8043LTX	ZENER DIODE	1	
D2520B	LN1271RALTR	LED	1	
D2524	MA8056-M	ZENER DIODE	1	
D2525B	LN1471YTR	LED	1	
D2526	MA8056-M	ZENER DIODE	1	
D3002-12	MA8140M	ZENER DIODE	11	
D3015,16	MA8140M	ZENER DIODE	2	
D3021-23	MA111	DIODE	3	

Ref. No.	Part No.	Part Name & Description	Pcs	Remarks
D3024	B0BC01100001	ZENER DIODE	1	
D3025	MA8140M	ZENER DIODE	1	
D3027,28	MA8140M	ZENER DIODE	2	
D3030-32	MA8140M	ZENER DIODE	3	
D3038-43	MA8140M	ZENER DIODE	6	
D3044	MA111	DIODE	1	
D3100	MA8140M	ZENER DIODE	1	
D3334-39	MA111	DIODE	6	
D3702	MA8140M	ZENER DIODE	1	
D4019-38	EZJZ0V80008B	VARISTOR	20	
D4041	EZJZ0V80008B	VARISTOR	1	
D4044,45	EZJZ0V80008B	VARISTOR	2	
D4047,48	MA3056M	ZENER DIODE	2	
D4049-52	B0HCMM000014	DIODE	4	
D5606	B0BC01100001	ZENER DIODE	1	
D5607	B0BC6R600005	ZENER DIODE	1	
D5610	B0BC4R700007	ZENER DIODE	1	(PA)
D5610	MA3X78900L	ZENER DIODE	1	(H)
D5612	B0BC3R700006	ZENER DIODE	1	
D5618	B0BC03900015	ZENER DIODE	1	
D5634	MA111	DIODE	1	
D5635	MA3047H	ZENER DIODE	1	
D5637,38	MA152	DIODE	2	
D5639	MA3047H	ZENER DIODE	1	
D5640	MA3039H	ZENER DIODE	1	
D5641	MA152	DIODE	1	
D5642	MA3120M	ZENER DIODE	1	
D5643	MA152	DIODE	1	
D5644	MA3068M	ZENER DIODE	1	
D5646,47	MA152	DIODE	2	
D5649	MA111	DIODE	1	
D5801	B0JCME000037	DIODE	1	
D5804	MA3120M	ZENER DIODE	1	
D5805,06	MA152	DIODE	2	
D5807	MA111	DIODE	1	
D6001	B0HBSN000008	DIODE	1	
D6021	B0HBSN000008	DIODE	1	
D6032	MA111	DIODE	1	
D6041	B0ECHP000003	DIODE	1	
D6051	B0ECHP000003	DIODE	1	
D6061,62	B0HBSN000008	DIODE	2	
D6071,72	B0HBSN000008	DIODE	2	
D6081,82	B0HBSN000008	DIODE	2	
D6091	B0HBSN000008	DIODE	1	
D6092	B0ECHP000003	DIODE	1	
D6101-04	B0JCME000037	DIODE	4	
D6131,32	B0ECHP000003	DIODE	2	
D6151-54	B0ECHP000003	DIODE	4	
D6191-93	B0ECHP000003	DIODE	3	
D6211	B0JCME000037	DIODE	1	
D6221	B0ECHP000003	DIODE	1	
D6222,23	MA111	DIODE	2	
D6251,52	MA8330M	ZENER DIODE	2	
D6253	LNJ301MPUJA	LED	1	
D6254	MA8051L	ZENER DIODE	1	
D6255	MA111	DIODE	1	

Ref. No.	Part No.	Part Name & Description	Pcs	Remarks
D6401,02	B0HBSN000008	DIODE	2	
D6431,32	B0HBSP000019	DIODE	2	
D6441	B0ECHP000003	DIODE	1	
D6451	B0ECHP000003	DIODE	1	
D6461,62	B0HBSN000008	DIODE	2	
D6466	MA111	DIODE	1	
D6471	B0HBSN000008	DIODE	1	
D6472	B0ECHP000003	DIODE	1	
D6477	MA111	DIODE	1	
D6478	B0HCKS000002	DIODE	1	
D6480	MA111	DIODE	1	
D6481,82	B0HBSN000008	DIODE	2	
D6491	B0HBSP000019	DIODE	1	
D6497	MA111	DIODE	1	
D6501,02	B0ECHP000003	DIODE	2	
D6521-24	B0ECHP000003	DIODE	4	
D6581,82	MA8330M	ZENER DIODE	2	
D6583	LNJ301MPUJA	LED	1	
D6584	MA8051L	ZENER DIODE	1	
D6585	MA111	DIODE	1	
D6601	MA8240M	ZENER DIODE	1	
D6602	B0ECHP000003	DIODE	1	
D6603	MA8240M	ZENER DIODE	1	
D6604	MA111	DIODE	1	
D6605	MA8051L	ZENER DIODE	1	
D6606	B0HCMM000014	DIODE	1	
D6607	MA111	DIODE	1	
D6610	MAZ81500ML	ZENER DIODE	1	
D6611-14	MA111	DIODE	4	
D6619,20	B0HCKS000002	DIODE	2	
D6621	B0HDSM000005	DIODE	1	
D6623,24	B0HDSM000005	DIODE	2	
D6641,42	B0HCKS000002	DIODE	2	
D6643	MA111	DIODE	1	
D6644	B0HCKS000002	DIODE	1	
D6661	MA111	DIODE	1	
D6662-64	MA8330M	ZENER DIODE	3	
D6665	MA8051L	ZENER DIODE	1	
D6666,67	MA111	DIODE	2	
D6671	MA111	DIODE	1	
D6682	B0HCMM000014	DIODE	1	
D6683,84	MA111	DIODE	2	
D6686,87	MA111	DIODE	2	
D6701,02	MA8056H	ZENER DIODE	2	
D6721	B0HCKS000002	DIODE	1	
D6723,24	B0JCME000037	DIODE	2	
D6725	B0ECHP000003	DIODE	1	
D6726-33	MA8056H	ZENER DIODE	8	
D6734	MA111	DIODE	1	
D6752	B0JCME000037	DIODE	1	
D6758	B0ECHP000003	DIODE	1	
D6760,61	MA111	DIODE	2	
D6771	B0JCME000037	DIODE	1	
D6773	B0HCKS000002	DIODE	1	
D6791	MA8200M	ZENER DIODE	1	
D6801,02	B0JCME000037	DIODE	2	
D6803	MA111	DIODE	1	

Ref. No.	Part No.	Part Name & Description	Pcs	Remarks
D6804	BOEHP000003	DIODE	1	
D6805	MA111	DIODE	1	
D6806	BOEHP000003	DIODE	1	
D6820-23	MA111	DIODE	4	
D6825	MA8330M	ZENER DIODE	1	
D6826	MA111	DIODE	1	
D6841	BOEHP000003	DIODE	1	
D6842,43	MA111	DIODE	2	
D6859	BOEHP000003	DIODE	1	
D6860	BOHCKS000002	DIODE	1	
D6861	MA8051L	ZENER DIODE	1	
D6862	MA111	DIODE	1	
D6871	MA8051L	ZENER DIODE	1	
D6872	MA111	DIODE	1	
D6901,02	MA8056H	ZENER DIODE	2	
D6903,04	BOEHP000003	DIODE	2	
D6951,52	MA8056H	ZENER DIODE	2	
D6953,54	BOEHP000003	DIODE	2	
D8002	MA728	DIODE	1	
D8203,04	BOJCPPE000004	DIODE	2	
D8501	BOCCAB000039	DIODE	1	
D9017-19	MA3033	ZENER DIODE	3	
D9020	MA728	DIODE	1	
D9100-03	BOJCGD000002	DIODE	4	
D9105,06	BOJCGD000002	DIODE	2	
D9110	BOJCGD000002	DIODE	1	
D9300,01	MA152K	DIODE	2	
D9800	BOJCME000037	DIODE	1	
D9801	BOJCDD000002	DIODE	1	
D9802	MA728	DIODE	1	
D9804	MA152K	DIODE	1	
D9807,08	MA152K	DIODE	2	
D9811	MA728	DIODE	1	
D9812	BOJCME000037	DIODE	1	
D9813	BOJCDD000002	DIODE	1	
D9814	BOJCME000037	DIODE	1	
D9815	BOJCDD000002	DIODE	1	
DG1	K1KY80A00011	80P CONNECTOR	1	
DG2	K1KA15B00074	15P CONNECTOR	1	
DG3	K1KY40B00003	40P CONNECTOR	1	
DG5	K1KB21BA0063	21P CONNECTOR	1	
DG7	K1KA20B00155	20P CONNECTOR	1	
DG8,G9	K1FY119D0001	CONNECTOR	2	
DG15	K1KY40B00003	40P CONNECTOR	1	
DG20	K1MN40B00045	40P CONNECTOR	1	
DG22	K1KBB0A00009	CONNECTOR	1	
DG35	K1KA07BA0047	7P CONNECTOR	1	
FL3301,02	JOHABH000003	LC FILTER	2	
FL3303-05	JOHABH000004	LC FILTER	3	
FL4010,11	JOHABH000012	LC FILTER	2	
FL4015	JOHABH000012	LC FILTER	1	
FL7101	JOHABH000013	LC FILTER	1	
FL7201	JOHABH000013	LC FILTER	1	
FL9300,01	FLJ1E1040022	LC FILTER	2	
FL9800,01	JOHABH000013	LC FILTER	2	
FL9803,04	JOHABH000012	LC FILTER	2	

Ref. No.	Part No.	Part Name & Description	Pcs	Remarks
FL9805-07	JOHABH000013	LC FILTER	3	
FL9900-02	FLJ1E1040022	LC FILTER	3	
FL9903,04	JOHABH000013	LC FILTER	2	
G1	K1KA12A00317	12P CONNECTOR	1	
G3	K1KA03BA0047	3P CONNECTOR	1	
G51	K1KA30AA0009	30P CONNECTOR	1	
GK3	K1KA03BA0061	3P CONNECTOR	1	
H1	K1KY80A00011	80P CONNECTOR	1	
H2	K1KA15A00148	15P CONNECTOR	1	
H5	K1KA15AA0288	15P CONNECTOR	1	
H6	K1KA09A00230	9P CONNECTOR	1	
H15	K1KA04AA0150	4P CONNECTOR	1	
H40	K1KA20AA0009	20P CONNECTOR	1	
H51	K1KA30AA0009	30P CONNECTOR	1	
HC01	K1KA21A00011	21P CONNECTOR	1	
HC12	K1KA09AA0190	9P CONNECTOR	1	
HC15	K1KY40B00003	40P CONNECTOR	1	
HC21	K1KA08AA0193	8P CONNECTOR	1	
HC22	K1KA11AA0194	11P CONNECTOR	1	
IC1100	C3ABPG000145	IC	1	
IC1101	TVRN998	IC	1	
IC1102	TVRN755	IC	1	PAVCCZ
IC1103	MN103SB20RGL	IC	1	
IC1105-07	COJBAS000128	IC	3	
IC1110	COBCAD000016	IC	1	
IC1111	COEBY0000041	IC	1	
IC2103	AN77L08M	IC	1	
IC2104	COABBA000168	IC	1	
IC2105	AN15862A-VT	IC	1	
IC2106	CLAB00002468	IC	1	
IC2109	C1BB00000947	IC	1	
IC2110	AN7705SP	IC	1	
IC2302	CLAB00002451	IC	1	
IC2304	COABBA000168	IC	1	
IC2306	COABBA000168	IC	1	
IC2511	B3L000000020	IC	1	
IC3005	AN15867A-VT	IC	1	
IC3301	COJBAZ002205	IC	1	
IC4013	COBCBF000009	IC	1	
IC4016	COBCCAC00275	IC	1	
IC4018	COBCCAC00275	IC	1	
IC4019	CLAB00002456	IC	1	
IC4022	TVRN916	IC	1	
IC4023	TVRN917	IC	1	
IC4025	COFBBK000038	IC	1	
IC4026	CLAB00002535	IC	1	
IC4027	C0DBFFD00003	IC	1	
IC4028	COABBB000230	IC	1	
IC4029	COBCCAC00282	IC	1	
IC4030	COBCBC00190	IC	1	
IC4032	C0DBGYY00052	IC	1	
IC4035	COBCCAF000031	IC	1	
IC4036	COJBAP000020	IC	1	
IC4037	MN84522-A	IC	1	
IC4038	C3ABQJ000048	IC	1	
IC5601	NOBG2DE00001	IC	1	
IC5602	EHMDD9851	LINEAR IC	1	
IC5603	C0DBAJB00004	IC	1	
IC5604	C0DBZGC00067	IC	1	
IC5801	C0DBAZF00003	IC	1	
IC6131	C0ZBZ0000895	IC	1	
IC6151	C0ZBZ0001324	IC	1	
IC6191	C0ZBZ0000895	IC	1	
IC6211	C0ZBZ0001325	IC	1	
IC6221	C0DBEMB00005	IC	1	

Ref. No.	Part No.	Part Name & Description	Pcs	Remarks
IC6241	C0JBAZ000005	IC	1	
IC6251	NJM2903M	INTEGRATED CIRCUIT	1	
IC6471	C0DBEKA00003	IC	1	
IC6472	C0JBAA000377	IC	1	
IC6501	C0ZBZ0000895	IC	1	
IC6521	C0ZBZ0001324	IC	1	
IC6561, 62	C0JBAZ000005	IC	2	
IC6581	NJM2903M	INTEGRATED CIRCUIT	1	
IC6601	C0ZBZ0001325	IC	1	
IC6602	C0JBAB000715	IC	1	
IC6610	NJM2903M	INTEGRATED CIRCUIT	1	
IC6671	C0ZBZ0001325	IC	1	
IC6681	C0ZBZ0001325	IC	1	
IC6682	C0JBAA000377	IC	1	
IC6721, 22	C0JBAZ000994	IC	2	
IC6724, 25	C0CBADC00089	IC	2	
IC6751	C0CBADC00089	IC	1	
IC6752	C0ZBZ0001325	IC	1	
IC6753	C0JBAB000715	IC	1	
IC6771	C0CBADC00089	IC	1	
IC6772	C0ZBZ0001325	IC	1	
IC6773, 74	C0JBAA000377	IC	2	
IC6791	NOBF1FB00001	IC	1	
IC6801, 02	C0DBEMB00005	IC	2	
IC6821	C0DBEMB00005	IC	1	
IC6841	C0DBEMB00005	IC	1	
IC6861	NJM2903M	INTEGRATED CIRCUIT	1	
IC6871	NJM2903M	INTEGRATED CIRCUIT	1	
IC6901-06	AN16072A-VT	IC	6	
IC6951-56	AN16072A-VT	IC	6	
IC7101-05	C0JBAZ001120	IC	5	
IC7201-05	C0JBAZ001120	IC	5	
IC8003	STV0360CT	IC	1	PAVCCZ
IC8009	C3ABQG000095	IC	1	PAVCCZ
IC8013	MN2WS0025BEA	IC	1	PAVCCZ
IC8019	TVRN790	IC	1	PAVCCZ
IC8023, 24	C0DBAMH00018	IC	2	
IC8029	C0FBBK000038	IC	1	
IC8031	BA15218FDX	IC	1	
IC8034	C0DBEHG000006	IC	1	PAVCCZ
IC8042	C0EBM0000026	IC	1	
IC8213	C0JBAZ001137	IC	1	
IC8402	74LVC4245AD	IC	1	PAVCCZ
IC8404	C0JBAZ002691	IC	1	PAVCCZ
IC8405	C0ZBZ0001333	IC	1	PAVCCZ
IC8408-11	C0JBAZ002691	IC	4	PAVCCZ
IC8412	C0JBAZ001137	IC	1	
IC8501	74VHC04MXNL	IC	1	PAVCCZ
IC8864	C0DBFFD000003	IC	1	
IC9001	TVRN808	IC	1	
IC9002	C0ZBZ0001330	IC	1	
IC9003	TVRN805	IC	1	
IC9007	TVRN813	IC	1	
IC9011	C0EBF0000431	IC	1	
IC9200	C1ZBZ0003185	IC	1	
IC9303	TVRN819	IC	1	
IC9500	C1ZBZ0002599	IC	1	
IC9502	PST9128NR	IC (LOGIC)	1	
IC9503, 04	C0JBAZ001120	IC	2	
IC9800	C0DBAYY00054	IC	1	
IC9801	C0DBZFG000066	IC	1	
IC9802, 03	C0JBAZ001120	IC	2	
IC9806	C0DBAHD00011	IC	1	

Ref. No.	Part No.	Part Name & Description	Pcs	Remarks
IC9807	C0DBAYY00054	IC	1	
IC9809	C0DBAYY00054	IC	1	
IC9900	MN84521-A	IC	1	
IC9901	C3ABQJ000051	IC	1	
JK2002, 03	K4BK03A00002	AV TERMINAL	2	
JK3001	K1FB315A00005	JACK	1	
JK3002-04	K1FB121A0010	CONNECTOR	3	PAVCCZ
JK3005	K2HA307A00007	JACK	1	PAVCCZ
JK3701	K4AK23B000001	TERMINAL BOARD	1	PAVCCZ
JK8401	K1NA68B00042	68P CONNECTOR	1	PAVCCZ
JK8701	K1NA09D000004	9P CONNECTOR	1	
JS002	ERJ3GEY0R00	M 0 OHM, 1/16W	1	
JS012	ERJ3GEY0R00	M 0 OHM, 1/16W	1	
JS1100-02	ERJ2GE0R00	M 0.0 OHM, J, 0.063W	3	
JS1109	ERJ2GE0R00	M 0.0 OHM, J, 0.063W	1	
JS1117	ERJ2GE0R00	M 0.0 OHM, J, 0.063W	1	
JS2021, 22	ERJ3GEY0R00	M 0 OHM, 1/16W	2	
JS2026	ERJ3GEY0R00	M 0 OHM, 1/16W	1	
JS2031-33	ERJ3GEY0R00	M 0 OHM, 1/16W	3	
JS2108, 09	ERJ3GEY0R00	M 0 OHM, 1/16W	2	
JS2123, 24	ERJ3GEY0R00	M 0 OHM, 1/16W	2	
JS2300-03	ERJ6GEY0R00	M 0 OHM, 1/10W	4	
JS2319	ERJ6GEY0R00	M 0 OHM, 1/10W	1	
JS2331	ERJ6GEY0R00	M 0 OHM, 1/10W	1	
JS3000	ERJ3GEY0R00	M 0 OHM, 1/16W	1	
JS3005	ERJ6GEY0R00	M 0 OHM, 1/10W	1	
JS3007-20	ERJ6GEY0R00	M 0 OHM, 1/10W	14	
JS3023	ERJ3GEY0R00	M 0 OHM, 1/16W	1	
JS3037-39	ERJ3GEY0R00	M 0 OHM, 1/16W	3	
JS3201	ERJ3GEY0R00	M 0 OHM, 1/16W	1	
JS3206	ERJ3GEY0R00	M 0 OHM, 1/16W	1	
JS3215	ERJ6GEY0R00	M 0 OHM, 1/10W	1	
JS3230	ERJ3GEY0R00	M 0 OHM, 1/16W	1	
JS3237	ERJ3GEY0R00	M 0 OHM, 1/16W	1	
JS3239	ERJ3GEY0R00	M 0 OHM, 1/16W	1	
JS3252	ERJ6GEY0R00	M 0 OHM, 1/10W	1	
JS3255	ERJ6GEY0R00	M 0 OHM, 1/10W	1	
JS3256, 57	ERJ3GEY0R00	M 0 OHM, 1/16W	2	
JS3302-04	ERJ3GEY0R00	M 0 OHM, 1/16W	3	
JS3307-12	ERJ3GEY0R00	M 0 OHM, 1/16W	6	
JS3352	J0JCC0000241	CHIP INDUCTOR	1	
JS3354-59	J0JCC0000241	CHIP INDUCTOR	6	
JS3362, 63	ERJ3GEY0R00	M 0 OHM, 1/16W	2	
JS3402, 03	ERJ3GEY0R00	M 0 OHM, 1/16W	2	
JS3404, 05	ERJ6GEY0R00	M 0 OHM, 1/10W	2	
JS3704, 05	ERJ6GEY0R00	M 0 OHM, 1/10W	2	
JS3707, 08	ERJ6GEY0R00	M 0 OHM, 1/10W	2	
JS3711-14	ERJ6GEY0R00	M 0 OHM, 1/10W	4	
JS3715	ERJ3GEY0R00	M 0 OHM, 1/16W	1	
JS4016, 17	ERJ2GE0R00	M 0.0 OHM, J, 0.063W	2	
JS4022-24	ERJ2GE0R00	M 0.0 OHM, J, 0.063W	3	

Ref. No.	Part No.	Part Name & Description	Pcs	Remarks
JS4025, 26	ERJ2GEJ101	M 100 OHM, J,0.063W	2	
JS4027, 28	ERJ2GEOR00	M 0.0 OHM, J,0.063W	2	
JS4029	ERJ2GEJ221	M 220 OHM, J,0.063W	1	
JS4033-40	ERJ2GEOR00	M 0.0 OHM, J,0.063W	8	
JS4042, 43	ERJ2GEOR00	M 0.0 OHM, J,0.063W	2	
JS4047, 48	ERJ2GEOR00	M 0.0 OHM, J,0.063W	2	
JS4069	ERJ2GEJ221	M 220 OHM, J,0.063W	1	
JS4075	ERJ2GEOR00	M 0.0 OHM, J,0.063W	1	
JS4077	ERJ2GEOR00	M 0.0 OHM, J,0.063W	1	
JS4079	ERJ2GEOR00	M 0.0 OHM, J,0.063W	1	
JS4097	ERJ2GEOR00	M 0.0 OHM, J,0.063W	1	
JS4104	ERJ2GEOR00	M 0.0 OHM, J,0.063W	1	
JS4111	ERJ3GEYOR00	M 0 OHM, 1/16W	1	
JS5601	ERJ3GEYOR00	M 0 OHM, 1/16W	1	
K1	K1KY12B00001	12P CONNECTOR	1	
L008	JOJCC0000241	CHIP INDUCTOR	1	
L012	JOJCC0000241	CHIP INDUCTOR	1	
L017	JOJCC0000241	CHIP INDUCTOR	1	
L018	JOJGC0000021	CHIP INDUCTOR COIL	1	
L019	JOJCC0000241	CHIP INDUCTOR	1	
L020	JOJGC0000021	CHIP INDUCTOR COIL	1	
L021	ERJ3GEYOR00	M 0 OHM, 1/16W	1	
L1101-04	JOJHC0000078	CHIP INDUCTOR	4	
L1109	JOJHC0000078	CHIP INDUCTOR	1	
L2001,0 2	JOJCC0000364	CHIP INDUCTOR	2	
L2003-16	TSK1032	BEAD CHOKE	14	
L2107	TSK1032	BEAD CHOKE	1	
L2108	JOJCC0000241	CHIP INDUCTOR	1	
L2109,1 0	TSK1032	BEAD CHOKE	2	
L2111,1 2	JOJCC0000241	CHIP INDUCTOR	2	
L2115	JOJCC0000241	CHIP INDUCTOR	1	
L2117	ELESE6R8KA	PEAKING COIL	1	
L2118	EXCELDR35C	BEAD CHOKE	1	
L2123	JOJCC0000241	CHIP INDUCTOR	1	
L2178,7 9	JOJCC0000241	CHIP INDUCTOR	2	
L2182-87	JOJCC0000241	CHIP INDUCTOR	6	
L2204	ERJ3GEYOR00	M 0 OHM, 1/16W	1	
L2205,0 6	JOJCC0000241	CHIP INDUCTOR	2	
L2300-03	GOC330MA0049	PEAKING COIL	4	
L2308	TALL08N3R9MA	INDUCTION COIL	1	
L3000	GOC101K00023	PEAKING COIL	1	
L3001-03	TSK1032	BEAD CHOKE	3	
L3009	TSK1032	BEAD CHOKE	1	
L3026	TSK1032	BEAD CHOKE	1	
L3202	JOJCC0000241	CHIP INDUCTOR	1	
L3205	JOJCC0000241	CHIP INDUCTOR	1	
L3700,0 1	JOJCC0000364	CHIP INDUCTOR	2	
L3707,0 8	TSK1032	BEAD CHOKE	2	
L4023	JOJHC0000078	CHIP INDUCTOR	1	
L4029	JOJHC0000078	CHIP INDUCTOR	1	
L4031	JOJHC0000078	CHIP INDUCTOR	1	
L4038	JOJHC0000078	CHIP INDUCTOR	1	

Ref. No.	Part No.	Part Name & Description	Pcs	Remarks
L4040-46	JOJHC0000078	CHIP INDUCTOR	7	
L4048	JOJHC0000078	CHIP INDUCTOR	1	
L4049	JOJBC0000080	CHIP INDUCTOR	1	
L4050,5 1	JOJHC0000078	CHIP INDUCTOR	2	
L4052	JOJCC0000077	CHIP INDUCTOR	1	
L4053-55	JOJHC0000078	CHIP INDUCTOR	3	
L4056,5 7	JOJCC0000077	CHIP INDUCTOR	2	
L4060,6 1	JOJCC0000077	CHIP INDUCTOR	2	
L4065,6 6	JOJHC0000078	CHIP INDUCTOR	2	
L4068-70	JOJHC0000078	CHIP INDUCTOR	3	
L4071	JOJBC0000080	CHIP INDUCTOR	1	
L4073	JOJHC0000078	CHIP INDUCTOR	1	
L4075,7 6	JOJHC0000078	CHIP INDUCTOR	2	
L4077	JOJCC0000077	CHIP INDUCTOR	1	
L4078	JOJHC0000078	CHIP INDUCTOR	1	
L5602	TALL08N2R7MA	INDUCTION COIL	1	
L5604	TALL08N2R7MA	INDUCTION COIL	1	
L5605	G0A2R7ZA0021	CHOKE COIL	1	
L5606,0 7	G0A220GA0002	CHOKE COIL	2	
L5608	G1C100MA0072	INDUCTION COIL	1	
L5609	G0A220GA0002	CHOKE COIL	1	
L5610	G1C470MA0077	INDUCTION COIL	1	
L5612	TALL08N2R7MA	INDUCTION COIL	1	
L5615	TALL08N150KA	INDUCTION COIL	1	
L5621	G1C330MA0234	INDUCTION COIL	1	
L5622,2 3	G1C150MA0234	INDUCTION COIL	2	
L5624	G1C330MA0234	INDUCTION COIL	1	
L5651	G0A220GA0002	CHOKE COIL	1	
L5801	GOC101K00023	PEAKING COIL	1	
L5802	TALL08N101KA	INDUCTION COIL	1	
L6001-03	GOC1R9KA0147	PEAKING COIL	3	
L6011-13	GOC1R9KA0147	PEAKING COIL	3	
L6061-68	GOZZ00002183	PEAKING COIL	8	
L6081-88	GOZZ00002183	PEAKING COIL	8	
L6101,0 2	JOJJC0000011	CHIP INDUCTOR	2	
L6103	GOZZ00002183	PEAKING COIL	1	
L6104,0 5	JOJJC0000011	CHIP INDUCTOR	2	
L6211,1 2	JOJJC0000011	CHIP INDUCTOR	2	
L6221	GOZZ00002183	PEAKING COIL	1	
L6241	GOZZ00002183	PEAKING COIL	1	
L6262	GOZZ00002183	PEAKING COIL	1	
L6271,7 2	GOZZ00002183	PEAKING COIL	2	
L6401-03	GOC1R9KA0147	PEAKING COIL	3	
L6411-13	GOC1R9KA0147	PEAKING COIL	3	
L6461-68	GOZZ00002183	PEAKING COIL	8	
L6472,7 3	GOZZ00002183	PEAKING COIL	2	
L6481-88	GOZZ00002183	PEAKING COIL	8	
L6591,9 2	GOZZ00002183	PEAKING COIL	2	
L6601,0 2	GOZZ00002183	PEAKING COIL	2	
L6801,0 2	JOJJC0000011	CHIP INDUCTOR	2	
L6841	JOJJC0000011	CHIP INDUCTOR	1	
L8004	JOJHC0000045	CHIP INDUCTOR	1	

Ref. No.	Part No.	Part Name & Description	Pcs	Remarks
L8008	J0JHC0000045	CHIP INDUCTOR	1	
L8026	J0JHC0000035	CHIP INDUCTOR	1	
L8031-33	J0JHC0000045	CHIP INDUCTOR	3	
L8037	J0JCC0000078	CHIP INDUCTOR	1	
L8038	J0JHC0000045	CHIP INDUCTOR	1	
L8042	J0JHC0000045	CHIP INDUCTOR	1	
L8046	ELJPA1R0MFB	INDUCTION COIL	1	
L8047	G1C680MA0173	INDUCTION COIL	1	PAVCCZ
L8048	G1C330MA0173	INDUCTION COIL	1	PAVCCZ
L8049	J0JHC0000045	CHIP INDUCTOR	1	
L8051	J0JCC0000241	CHIP INDUCTOR	1	
L8055	G1C100MA0077	INDUCTION COIL	1	
L8059	J0JHC0000045	CHIP INDUCTOR	1	
L8106	ELJFA2R7JBB	CHIP INDUCTOR	1	PAVCCZ
L8145	J0JHC0000045	CHIP INDUCTOR	1	
L8501	ELJNA2R7JFB	CHIP INDUCTOR	1	
L9500	G1C150KA0038	INDUCTION COIL	1	
L9501,02	J0JHC0000078	CHIP INDUCTOR	2	
L9800	G1C3R0MA0248	INDUCTION COIL	1	
L9801,02	G1C2R2MA0241	INDUCTION COIL	2	
L9810	J0JHC0000045	CHIP INDUCTOR	1	
PA2	K1KA05AA0192	5P CONNECTOR	1	
PA5	K1KA11AA0194	11P CONNECTOR	1	
PA10	K1KA06A00452	6P CONNECTOR	1	
PA20	K1MN40A00024	40P CONNECTOR	1	
PA31-34	K1KA03AA0192	3P CONNECTOR	4	
PA40	K1KA20AA0009	20P CONNECTOR	1	
PA1101	K5H8012A0023	FUSE	1	
PA2100	K5H1622A0023	FUSE	1	
PA3100	K5H1622A0023	FUSE	1	
PA3104	ERJ3GEY0R00	M 0 OHM, 1/16W	1	
PA9800	K5H4022A0023	FUSE	1	
PC6480	B3PBA0000223	IC	1	
PC6701-03	B3PBA0000233	IC	3	
PC6704	B3PBA0000234	IC	1	
PC6705	B3PBA0000233	IC	1	
PC6760	B3PBA0000223	IC	1	
PC6801	B3PBA0000223	IC	1	
PC6861	B3PBA0000223	IC	1	
PC6871	B3PBA0000223	IC	1	
Q002	2SA207700L	TRANSISTOR	1	
Q1100-03	2SC584500L	TRANSISTOR	4	
Q1106-08	2SC584500L	TRANSISTOR	3	
Q1109,10	B1CBHD000002	FET	2	
Q1111	2SC584500L	TRANSISTOR	1	
Q1113-18	2SC584500L	TRANSISTOR	6	
Q1120-22	2SC584500L	TRANSISTOR	3	
Q1130	2SC584500L	TRANSISTOR	1	
Q1131	B1ABCF000138	TRANSISTOR	1	
Q1134	2SC584500L	TRANSISTOR	1	
Q1135	B1ABCF000138	TRANSISTOR	1	
Q1137-43	2SC584500L	TRANSISTOR	7	
Q2001-04	2SC584500L	TRANSISTOR	4	
Q2006,07	2SC584500L	TRANSISTOR	2	
Q2009,10	2SC584500L	TRANSISTOR	2	
Q2011	2SA207700L	TRANSISTOR	1	
Q2012	2SC584500L	TRANSISTOR	1	
Q2013	2SA207700L	TRANSISTOR	1	
Q2102-05	2SA207700L	TRANSISTOR	4	

Ref. No.	Part No.	Part Name & Description	Pcs	Remarks
Q2106	2SC584500L	TRANSISTOR	1	
Q2108	2SC584500L	TRANSISTOR	1	
Q2113,14	2SC584500L	TRANSISTOR	2	
Q2300	2SA207700L	TRANSISTOR	1	(PA)
Q2300	2SC584500L	TRANSISTOR	1	(H)
Q2301	2SD601A	TRANSISTOR	1	(H)
Q2301	2SD601A	TRANSISTOR	1	(PA)
Q2302	2SC584500L	TRANSISTOR	1	
Q2303	2SD601A	TRANSISTOR	1	
Q2306,07	2SA207700L	TRANSISTOR	2	
Q2314-17	2SC584500L	TRANSISTOR	4	
Q2510,11	2SD601A	TRANSISTOR	2	
Q2518	2SD601A	TRANSISTOR	1	
Q3001	2SC584500L	TRANSISTOR	1	
Q3005	2SC584500L	TRANSISTOR	1	
Q3008	2SA207700L	TRANSISTOR	1	
Q3011	2SA207700L	TRANSISTOR	1	
Q3014,15	2SA207700L	TRANSISTOR	2	
Q3016	2SC584500L	TRANSISTOR	1	
Q3017	2SA207700L	TRANSISTOR	1	
Q3019-22	2SC584500L	TRANSISTOR	4	
Q3024	2SC584500L	TRANSISTOR	1	
Q3027-29	2SA207700L	TRANSISTOR	3	
Q3331-33	2SC2480	TRANSISTOR	3	
Q4050	2SC584500L	TRANSISTOR	1	
Q4053	2SC584500L	TRANSISTOR	1	
Q4055-59	2SA207700L	TRANSISTOR	5	
Q4061-69	2SC584500L	TRANSISTOR	9	
Q4070,71	B1MBACA00008	TRANSISTOR	2	
Q4082,83	2SK1228	FET	2	
Q4084	B1ABCF000138	TRANSISTOR	1	
Q4918	B1ABCF000138	TRANSISTOR	1	
Q4919	2SC584500L	TRANSISTOR	1	
Q5601	B1DHDC000028	TRANSISTOR	1	
Q5602	2SD601A	TRANSISTOR	1	
Q5603	B1DHDC000028	TRANSISTOR	1	
Q5604,05	2SD601A	TRANSISTOR	2	
Q5610	2SD601A	TRANSISTOR	1	
Q5613	2SD601A	TRANSISTOR	1	
Q5614	2SK3065T100	FET	1	
Q5641-43	2SA207700L	TRANSISTOR	3	
Q5644	2SD601A	TRANSISTOR	1	
Q6001-03	B1JADN000001	TRANSISTOR	3	
Q6021-23	B1JADN000001	TRANSISTOR	3	
Q6041,42	B1JADN000002	TRANSISTOR	2	
Q6051,52	B1JADN000002	TRANSISTOR	2	
Q6101-04	B1DFKM000002	TRANSISTOR	4	
Q6105	B1ABNF000006	TRANSISTOR	1	
Q6106	B1ADNF000006	TRANSISTOR	1	
Q6111	2SK326800L	FET	1	
Q6112	B1DFKM000002	TRANSISTOR	1	
Q6114	B1DFKM000002	TRANSISTOR	1	
Q6141	B1ABNF000006	TRANSISTOR	1	
Q6142	B1ADNF000006	TRANSISTOR	1	
Q6146	B1ABNF000006	TRANSISTOR	1	
Q6147	B1ADNF000006	TRANSISTOR	1	
Q6171	2SD2185	TRANSISTOR	1	
Q6172	B1ADDR000001	TRANSISTOR	1	

Ref. No.	Part No.	Part Name & Description	Pcs	Remarks
Q6181	2SD2185	TRANSISTOR	1	
Q6182	BLADRD000001	TRANSISTOR	1	
Q6221	2SD1263A	TRANSISTOR	1	
Q6222	2SC3063	TRANSISTOR	1	
Q6251	2SD601A	TRANSISTOR	1	
Q6401-03	BLJADN000001	TRANSISTOR	3	
Q6421-23	BLJAEP000001	TRANSISTOR	3	
Q6441,42	BLJADN000002	TRANSISTOR	2	
Q6451,52	BLJADP000002	TRANSISTOR	2	
Q6471	BLCHGD000006	TRANSISTOR	1	
Q6511	BLABNF000006	TRANSISTOR	1	
Q6512	BLADNF000006	TRANSISTOR	1	
Q6516	BLABNF000006	TRANSISTOR	1	
Q6517	BLADNF000006	TRANSISTOR	1	
Q6531	2SD2185	TRANSISTOR	1	
Q6532	BLADRD000001	TRANSISTOR	1	
Q6551	2SD2185	TRANSISTOR	1	
Q6552	BLADRD000001	TRANSISTOR	1	
Q6581	2SD601A	TRANSISTOR	1	
Q6601	BLDFES000003	TRANSISTOR	1	
Q6602	2SD601A	TRANSISTOR	1	
Q6621,22	BLDFKM000001	TRANSISTOR	2	
Q6641,42	BLDFKM000001	TRANSISTOR	2	
Q6644,45	BLDFKM000001	TRANSISTOR	2	
Q6647,48	BLDFKM000001	TRANSISTOR	2	
Q6661	BLDEET000002	TRANSISTOR	1	
Q6662	2SD601A	TRANSISTOR	1	
Q6663	2SD2185	TRANSISTOR	1	
Q6671,72	BLDFET000001	TRANSISTOR	2	
Q6680	BLADNF000006	TRANSISTOR	1	
Q6681,82	2SK389500L	FET	2	
Q6691	2SK620	FET	1	
Q6742,43	2SD601A	TRANSISTOR	2	
Q6744	2SK620	FET	1	
Q6762	BLADNF000006	TRANSISTOR	1	
Q6781	BLABNF000006	TRANSISTOR	1	
Q6782	BLADNF000006	TRANSISTOR	1	
Q6791	2SD601A	TRANSISTOR	1	
Q6801	BLBAEJ000014	TRANSISTOR	1	
Q6802	2SB0709A	TRANSISTOR	1	
Q6803	2SD814A	TRANSISTOR	1	
Q6804	2SD601A	TRANSISTOR	1	
Q6821	2SD1263A	TRANSISTOR	1	
Q6822	2SC3063	TRANSISTOR	1	
Q6824	2SD601A	TRANSISTOR	1	
Q6841	2SD1263A	TRANSISTOR	1	
Q6842	2SC1473A	TRANSISTOR	1	
Q8101	2SA207700L	TRANSISTOR	1	
Q8401,02	2SD601A	TRANSISTOR	2	
Q9010	2SD601A	TRANSISTOR	1	
Q9044	2SD601A	TRANSISTOR	1	
Q9046	2SD601A	TRANSISTOR	1	
Q9049	2SB709A	TRANSISTOR	1	
Q9050-54	2SD601A	TRANSISTOR	5	
Q9055-58	BLCBHD000002	FET	4	
Q9300-02	2SD601A	TRANSISTOR	3	
Q9800,01	BLMBEDA00015	TRANSISTOR	2	
Q9803	BLMBEDA00015	TRANSISTOR	1	
Q9805,06	2SD601A	TRANSISTOR	2	

Ref. No.	Part No.	Part Name & Description	Pcs	Remarks
R002	ERJ3GEYJ221	M 220 OHM,J,1/16W	1	
R005	ERJ3EKF5600	M 560 OHM, 1/16W	1	
R008,09	ERJ3GEY0R00	M 0 OHM, 1/16W	2	
R010	ERJ3EKF4700	M 470 OHM, 1/16W	1	
R011	ERJ6GEYJ271	M 270 OHM,J,1/10W	1	
R012,13	ERJ3GEYJ220	M 22 OHM,J,1/16W	2	
R014	ERJ3GEYJ221	M 220 OHM,J,1/16W	1	
R1101	ERJ2GEJ101	M 100 OHM, J,0.063W	1	
R1102,03	ERJ2GEJ102	M 1KOHM, J,0.063W	2	
R1105,06	ERJ2GEJ102	M 1KOHM, J,0.063W	2	
R1108-12	ERJ2GEJ101	M 100 OHM, J,0.063W	5	
R1113	ERJ2GEJ332	M 3.3KOHM, J,0.063W	1	
R1114	ERJ2GE0R00	M 0.0 OHM, J,0.063W	1	
R1116	ERJ2GEJ562	M 5.6KOHM,J,0.063W	1	
R1117	ERJ2GE0R00	M 0.0 OHM, J,0.063W	1	
R1118,19	EXB2HV680J	RESISTOR ARRAY	2	
R1121,22	ERJ2GEJ220	M 22 OHM, J,0.063W	2	
R1123	ERJ2GEJ473	M 47KOHM,J,0.063W	1	
R1124,25	ERJ2GEJ332	M 3.3KOHM, J,0.063W	2	
R1128	ERJ2GEJ103	M 10KOHM, J,0.063W	1	
R1130	ERJ2GEJ473	M 47KOHM,J,0.063W	1	
R1131,32	ERJ2GEJ101	M 100 OHM, J,0.063W	2	
R1133,34	ERJ2GEJ102	M 1KOHM, J,0.063W	2	
R1135	ERJ2GEJ103	M 10KOHM, J,0.063W	1	
R1140,41	ERJ2GEJ680	M 68 OHM, J,0.063W	2	
R1145	ERJ2GEJ101	M 100 OHM, J,0.063W	1	
R1146	ERJ2GEJ271	M 270 OHM, J,0.063W	1	
R1147,48	D1HG5608A002	NETWORK RESISTER	2	
R1149	EXB2HV680J	RESISTOR ARRAY	1	
R1150,51	ERJ2GEJ101	M 100 OHM, J,0.063W	2	
R1153	ERJ2GEJ101	M 100 OHM, J,0.063W	1	
R1154,55	ERJ2GEJ472	M 4.7KOHM, J,0.063W	2	
R1156	ERJ2GEJ104	M 100KOHM, J,0.063W	1	
R1157	ERJ2GEJ101	M 100 OHM, J,0.063W	1	
R1158	ERJ2GEJ273	M 27KOHM ,J,0.063W	1	
R1159	ERJ2GEJ123X	M 12KOHM ,J,0.063W	1	
R1164	ERJ2GEJ123X	M 12KOHM ,J,0.063W	1	
R1165	ERJ2GEJ153	M 15KOHM ,J,0.063W	1	
R1166,67	ERJ2GEJ101	M 100 OHM, J,0.063W	2	
R1168,69	ERJ2GE0R00	M 0.0 OHM, J,0.063W	2	
R1174	ERJ2GEJ101	M 100 OHM, J,0.063W	1	
R1175	ERJ2GEJ563	M 56KOHM ,J,0.063W	1	
R1176	ERJ2GEJ123X	M 12KOHM ,J,0.063W	1	
R1177-79	ERJ2GEJ101	M 100 OHM, J,0.063W	3	
R1181	ERJ2GEJ101	M 100 OHM, J,0.063W	1	
R1182	ERJ2GEJ683	M 68KOHM, J,0.063W	1	
R1183	EXB28V680JX	RESISTOR ARRAY	1	
R1184	ERJ2GE0R00	M 0.0 OHM, J,0.063W	1	
R1187	EXB2HV680J	RESISTOR ARRAY	1	

Ref. No.	Part No.	Part Name & Description	Pcs	Remarks
R1188,89	ERJ2GEJ103	M 10KOHM, J,0.063W	2	
R1197	ERJ2GEJ473	M 47KOHM,J,0.063W	1	
R1199	ERJ2GEJ473	M 47KOHM,J,0.063W	1	
R1200	EXB2HV680J	RESISTOR ARRAY	1	
R1203	ERJ2GEJ102	M 1KOHM, J,0.063W	1	
R1207	ERJ2GEJ104	M 100KOHM, J,0.063W	1	
R1212	ERJ2GE0R00	M 0.0 OHM, J,0.063W	1	
R1214	ERJ2GEJ103	M 10KOHM, J,0.063W	1	
R1215-17	ERJ2GEJ101	M 100 OHM, J,0.063W	3	
R1218	ERJ2GEJ680	M 68 OHM, J,0.063W	1	
R1220	ERJ2GEJ680	M 68 OHM, J,0.063W	1	
R1221	ERJ2GEJ332	M 3.3KOHM, J,0.063W	1	
R1222	ERJ2GEJ330	M 33 OHM, J,0.063W	1	
R1223	ERJ2GEJ102	M 1KOHM, J,0.063W	1	
R1224	ERJ2GEJ473	M 47KOHM,J,0.063W	1	
R1225,26	ERJ2GEJ220	M 22 OHM, J,0.063W	2	
R1228	ERJ2GEJ220	M 22 OHM, J,0.063W	1	
R1229	ERJ2GEJ182	M 1.8KOHM, J,0.063W	1	
R1230	ERJ2GEJ220	M 22 OHM, J,0.063W	1	
R1231	ERJ2GEJ473	M 47KOHM,J,0.063W	1	
R1232,33	ERJ2GEJ332	M 3.3KOHM, J,0.063W	2	
R1234	ERJ2GE0R00	M 0.0 OHM, J,0.063W	1	
R1235,36	ERJ2GEJ272	M 2.7KOHM, J,0.063W	2	
R1238	ERJ2GEJ473	M 47KOHM,J,0.063W	1	
R1239	ERJ3EKF1202	M 12KOHM, 1/16W	1	
R1240	ERJ2GEJ473	M 47KOHM,J,0.063W	1	
R1241	ERJ2GEJ822	M 8.2KOHM, J,0.063W	1	
R1243	ERJ2GEJ102	M 1KOHM, J,0.063W	1	
R1246	ERJ2GEJ912	M 9.1KOHM, J,0.063W	1	
R1249	ERJ2GEJ473	M 47KOHM,J,0.063W	1	
R1250	ERJ2GEJ224	M 220KOHM, J,0.063W	1	
R1251,52	EXB2HV101J	RESISTOR ARRAY	2	
R1256	ERJ2GEJ102	M 1KOHM, J,0.063W	1	
R1259	ERJ2GEJ101	M 100 OHM, J,0.063W	1	
R1263,64	ERJ2GEJ101	M 100 OHM, J,0.063W	2	
R1269	ERJ2GE0R00	M 0.0 OHM, J,0.063W	1	
R1270,71	ERJ2GEJ220	M 22 OHM, J,0.063W	2	
R1275	ERJ3EKF7151	M7.15KOHM, 1/16W	1	
R1279,80	ERJ2GEJ220	M 22 OHM, J,0.063W	2	
R1281	ERJ2GEJ102	M 1KOHM, J,0.063W	1	
R1282	ERJ2GEJ153	M 15KOHM ,J,0.063W	1	
R1283	ERJ2GEJ101	M 100 OHM, J,0.063W	1	
R1284	ERJ2GEJ682	M 6.8KOHM, J,0.063W	1	
R1290	ERJ2GEJ472	M 4.7KOHM, J,0.063W	1	
R1292,93	ERJ2GEJ104	M 100KOHM, J,0.063W	2	
R1296,97	ERJ2GEJ473	M 47KOHM,J,0.063W	2	
R1303-06	ERJ2GEJ220	M 22 OHM, J,0.063W	4	
R1307	ERJ2GEJ104	M 100KOHM, J,0.063W	1	
R1308	ERJ2GEJ273	M 27KOHM ,J,0.063W	1	
R1309-12	ERJ2GEJ220	M 22 OHM, J,0.063W	4	

Ref. No.	Part No.	Part Name & Description	Pcs	Remarks
R1313,14	ERJ2GEJ103	M 10KOHM, J,0.063W	2	
R1315	ERJ2GEJ333	M 33KOHM, J,0.063W	1	
R1316	ERJ2GEJ103	M 10KOHM, J,0.063W	1	
R1318,19	ERJ2GEJ512X	M5.12KOHM, J,0.063W	2	
R1321	ERJ2GEJ153	M 15KOHM ,J,0.063W	1	
R1322	ERJ2GEJ100	M 10 OHM, J,0.063W	1	
R1323,24	ERJ2GEJ823	M 82KOHM, J,0.063W	2	
R1325,26	ERJ2GEJ104	M 100KOHM, J,0.063W	2	
R1327,28	ERJ2GEJ683	M 68KOHM, J,0.063W	2	
R1329,30	ERJ2GEJ473	M 47KOHM,J,0.063W	2	
R1331,32	ERJ2GEJ104	M 100KOHM, J,0.063W	2	
R1333	ERJ2GEJ101	M 100 OHM, J,0.063W	1	
R1334	ERJ2GE0R00	M 0.0 OHM, J,0.063W	1	
R1335	ERJ2GEJ101	M 100 OHM, J,0.063W	1	
R1336	ERJ2GEJ225	M 1MOHM, J,0.063W	1	
R1337	ERJ2GEJ472	M 4.7KOHM, J,0.063W	1	
R1341	ERJ2GEJ473	M 47KOHM,J,0.063W	1	
R1344	ERJ2GEJ101	M 100 OHM, J,0.063W	1	
R1346	ERJ2GEJ473	M 47KOHM,J,0.063W	1	
R1350,51	ERJ2GEJ101	M 100 OHM, J,0.063W	2	
R1352	ERJ2GEJ473	M 47KOHM,J,0.063W	1	
R1353	ERJ2GEJ223	M 22KOHM, J,0.063W	1	
R1354	ERJ2GEJ101	M 100 OHM, J,0.063W	1	
R1355	ERJ2GEJ104	M 100KOHM, J,0.063W	1	
R1358	ERJ2GEJ104	M 100KOHM, J,0.063W	1	
R1359	ERJ2GEJ224	M 220KOHM, J,0.063W	1	
R1360	ERJ2GEJ221	M 220 OHM, J,0.063W	1	
R1361	ERJ2GE0R00	M 0.0 OHM, J,0.063W	1	
R1363	ERJ2GEJ473	M 47KOHM,J,0.063W	1	
R1364	ERJ2GEJ273	M 27KOHM ,J,0.063W	1	
R1365	ERJ2GE0R00	M 0.0 OHM, J,0.063W	1	
R1367	ERJ2GEJ333	M 33KOHM, J,0.063W	1	
R1368	ERJ2GEJ183	M 18KOHM ,J,0.063W	1	
R1369	ERJ2GE0R00	M 0.0 OHM, J,0.063W	1	
R1370	ERJ2GEJ104	M 100KOHM, J,0.063W	1	
R1372	ERJ2GEJ473	M 47KOHM,J,0.063W	1	
R1373	ERJ2GEJ683	M 68KOHM, J,0.063W	1	
R1375	ERJ2GEJ104	M 100KOHM, J,0.063W	1	
R1376	ERJ2GEJ273	M 27KOHM ,J,0.063W	1	
R1377	ERJ8GEY0R00	M 0 OHM, 1/8W	1	
R1378	ERJ3GEY0R00	M 0 OHM, 1/16W	1	
R1379	ERJ2GEJ331	M 330 OHM, J,0.063W	1	
R1380	ERJ2GEJ104	M 100KOHM, J,0.063W	1	
R1381	ERJ2GEJ474	M 470KOHM, J,0.063W	1	
R1384	ERJ2GEJ101	M 100 OHM, J,0.063W	1	
R1389	ERJ2GE0R00	M 0.0 OHM, J,0.063W	1	
R1408	ERJ2GEJ104	M 100KOHM, J,0.063W	1	
R1410	ERJ2GEJ102	M 1KOHM, J,0.063W	1	
R1411	ERJ2GEJ472	M 4.7KOHM, J,0.063W	1	

Ref. No.	Part No.	Part Name & Description	Pcs	Remarks
R1412,13	ERJ2GEJ104	M 100KOHM, J,0.063W	2	
R1414	ERJ2GEOR00	M 0.0 OHM, J,0.063W	1	
R1426-32	ERJ8GEYOR00	M 0 OHM, 1/8W	7	
R1436,37	ERJ2GEJ561	M 60 OHM, J,0.063W	2	
R1439	ERJ2GEJ271	M 270 OHM, J,0.063W	1	
R1441	ERJ2GEOR00	M 0.0 OHM, J,0.063W	1	
R1446,47	ERJ2GEJ471	M 470 OHM, J,0.063W	2	
R1448,49	ERJ2GEJ473	M 47KOHM, J,0.063W	2	
R1451	ERJ2GEJ473	M 47KOHM, J,0.063W	1	
R1454	ERJ2GEOR00	M 0.0 OHM, J,0.063W	1	
R1458,59	ERJ2GEJ101	M 100 OHM, J,0.063W	2	
R1461,62	ERJ2GEOR00	M 0.0 OHM, J,0.063W	2	
R1466	ERJ2GEJ103	M 10KOHM, J,0.063W	1	
R1467	ERJ2GEJ473	M 47KOHM, J,0.063W	1	
R1470	ERJ2GEOR00	M 0.0 OHM, J,0.063W	1	
R1472,73	ERJ2GEJ301	M 300 OHM, J,0.063W	2	
R1474	ERJ8GEYOR00	M 0 OHM, 1/8W	1	
R1475	ERJ2GEJ271	M 270 OHM, J,0.063W	1	
R1478	ERJ2GEJ680	M 68 OHM, J,0.063W	1	
R1479	ERJ2GEJ473	M 47KOHM, J,0.063W	1	
R1489	ERJ2GEJ473	M 47KOHM, J,0.063W	1	
R1491	ERJ2GEOR00	M 0.0 OHM, J,0.063W	1	
R1526	ERJ2GEJ102	M 1KOHM, J,0.063W	1	
R1530,31	ERJ2GEOR00	M 0.0 OHM, J,0.063W	2	
R1554,55	ERJ3GEYOR00	M 0 OHM, 1/16W	2	
R1556	ERJ2GEJ331	M 330 OHM, J,0.063W	1	
R2005	ERJ3GEYJ104	M 100KOHM, J,1/16W	1	
R2006-11	ERJ6GEYJ223	M 22KOHM, J,1/10W	6	
R2012	ERJ3GEYJ104	M 100KOHM, J,1/16W	1	
R2013,14	ERJ3GEYJ222	M 2.2KOHM, J,1/16W	2	
R2015,16	ERJ3GEYJ331	M 330 OHM, J,1/16W	2	
R2018,19	ERJ3GEYJ104	M 100KOHM, J,1/16W	2	
R2023	ERJ3GEYJ222	M 2.2KOHM, J,1/16W	1	
R2027,28	ERJ3GEYJ104	M 100KOHM, J,1/16W	2	
R2031	ERJ3GEYJ222	M 2.2KOHM, J,1/16W	1	
R2033	ERJ3GEYJ222	M 2.2KOHM, J,1/16W	1	
R2035,36	ERJ3GEYJ104	M 100KOHM, J,1/16W	2	
R2038	ERJ3GEYJ222	M 2.2KOHM, J,1/16W	1	
R2040	ERJ3GEYJ222	M 2.2KOHM, J,1/16W	1	
R2042	ERJ3GEYJ105	M 1MOHM, J,1/16W	1	
R2043	ERJ3GEYJ473	M 47KOHM, J,1/16W	1	
R2044	ERJ3GEYJ102	M 1KOHM, J,1/16W	1	
R2045,46	ERJ3GEYJ103	M 10KOHM, J,1/16W	2	
R2048	ERJ6GEYJ471	M 470 OHM, J,1/10W	1	
R2049,50	ERJ3GEYJ103	M 10KOHM, J,1/16W	2	
R2051,52	ERJ6GEYJ184	M 180KOHM, J,1/10W	2	
R2053	ERJ6GEYJ471	M 470 OHM, J,1/10W	1	
R2054	ERJ3GEYJ103	M 10KOHM, J,1/16W	1	
R2101,02	ERJ3GEYJ331	M 330 OHM, J,1/16W	2	
R2103	ERJ3GEYJ222	M 2.2KOHM, J,1/16W	1	

Ref. No.	Part No.	Part Name & Description	Pcs	Remarks
R2113,14	ERJ3GEYOR00	M 0 OHM, 1/16W	2	
R2116	JOJCC0000241	CHIP INDUCTOR	1	
R2124,25	ERJ3GEYJ101	M 100 OHM, J,1/16W	2	
R2126,27	ERJ3GEYJ472	M 4.7KOHM, J,1/16W	2	
R2128,29	ERJ3GEYJ101	M 100 OHM, J,1/16W	2	
R2130	ERJ3EKF1002	M 10KOHM, 1/16W	1	
R2131	ERJ3EKF8201	M 8.2KOHM, 1/16W	1	
R2132	ERJ3GEYJ333	M 33KOHM, J,1/16W	1	
R2133	ERJ3GEYOR00	M 0 OHM, 1/16W	1	
R2135,36	ERJ3GEYJ331	M 330 OHM, J,1/16W	2	
R2137	ERJ3GEYJ333	M 33KOHM, J,1/16W	1	
R2138	ERJ3EKF1002	M 10KOHM, 1/16W	1	
R2147	ERJ3EKF1002	M 10KOHM, 1/16W	1	
R2148,49	ERJ3EKF6342	M6.34KOHM, 1/16W	2	
R2152	ERJ3GEYJ220	M 22 OHM, J,1/16W	1	
R2153	ERJ3GEYJ221	M 220 OHM, J,1/16W	1	
R2154	ERJ3GEYJ220	M 22 OHM, J,1/16W	1	
R2155,56	ERJ3GEYJ221	M 220 OHM, J,1/16W	2	
R2158	ERJ3GEYJ221	M 220 OHM, J,1/16W	1	
R2160	ERJ3GEYJ221	M 220 OHM, J,1/16W	1	
R2161	ERJ3GEYJ331	M 330 OHM, J,1/16W	1	
R2162	ERJ3GEYJ221	M 220 OHM, J,1/16W	1	
R2163	ERJ3GEYJ331	M 330 OHM, J,1/16W	1	
R2164	ERJ3GEYJ221	M 220 OHM, J,1/16W	1	
R2165,66	ERJ3GEYJ102	M 1KOHM, J,1/16W	2	
R2167	ERJ3GEYJ221	M 220 OHM, J,1/16W	1	
R2168,69	ERJ3GEYJ472	M 4.7KOHM, J,1/16W	2	
R2170-77	ERJ3GEYJ221	M 220 OHM, J,1/16W	8	
R2181	ERJ3GEYOR00	M 0 OHM, 1/16W	1	
R2182,83	ERJ3GEYJ101	M 100 OHM, J,1/16W	2	
R2184-87	ERJ3GEYJ221	M 220 OHM, J,1/16W	4	
R2188	ERJ3GEYJ103	M 10KOHM, J,1/16W	1	
R2190	ERJ3GEYJ221	M 220 OHM, J,1/16W	1	
R2192,93	ERJ3GEYJ221	M 220 OHM, J,1/16W	2	
R2195,96	ERJ3GEYJ104	M 100KOHM, J,1/16W	2	
R2197	ERJ3GEYJ471	M 470 OHM, J,1/16W	1	
R2199,00	ERJ3GEYJ221	M 220 OHM, J,1/16W	2	
R2202	ERJ3GEYJ101	M 100 OHM, J,1/16W	1	
R2203	ERJ6GEYJ101	M 100 OHM, J,1/10W	1	
R2204	ERJ6GEYJ561	M 560 OHM, J,1/10W	1	
R2208	ERJ6GEYJ471	M 470 OHM, J,1/10W	1	
R2209	ERJ3GEYJ332	M 3.3KOHM, J,1/16W	1	
R2210	ERJ6GEYJ122	M 1.2KOHM, J,1/10W	1	
R2211	ERJ3GEYOR00	M 0 OHM, 1/16W	1	
R2213	ERJ3GEYJ103	M 10KOHM, J,1/16W	1	
R2214	ERJ3GEYJ332	M 3.3KOHM, J,1/16W	1	
R2215	ERJ3GEYOR00	M 0 OHM, 1/16W	1	
R2219	ERJ6GEYJ101	M 100 OHM, J,1/10W	1	
R2220	ERJ3GEYJ153	M 15KOHM, J,1/16W	1	
R2224,25	ERJ3GEYOR00	M 0 OHM, 1/16W	2	
R2227	ERJ6GEYOR00	M 0 OHM, 1/10W	1	
R2230,31	ERJ3GEYJ104	M 100KOHM, J,1/16W	2	
R2232,33	ERJ3GEYJ153	M 15KOHM, J,1/16W	2	
R2234,35	ERJ3GEYJ103	M 10KOHM, J,1/16W	2	
R2236	ERJ3GEYJ473	M 47KOHM, J,1/16W	1	
R2237	ERJ3GEYJ103	M 10KOHM, J,1/16W	1	
R2238,39	ERJ3GEYOR00	M 0 OHM, 1/16W	2	

Ref. No.	Part No.	Part Name & Description	Pcs	Remarks
R2246	ERJ3EKF3602	M 36KOHM, 1/16W	1	
R2302	ERJ3GEYJ223	M 22KOHM, J, 1/16W	1	
R2303	ERJ3GEYJ562	M 5.6KOHM, J, 1/16W	1	
R2304	ERJ3GEYJ104	M 100KOHM, J, 1/16W	1	
R2305	ERJ3GEYJ471	M 470 OHM, J, 1/16W	1	
R2306	ERJ6GEYJ821	M 820 OHM, J, 1/10W	1	
R2307	ERJ3GEYJ104	M 100KOHM, J, 1/16W	1	
R2310	ERJ3GEYR000	M 0 OHM, 1/16W	1	(PA)
R2310	ERJ3GEYJ184	M 180KOHM, J, 1/16W	1	(H)
R2311	ERJ3GEYR000	M 0 OHM, 1/16W	1	(PA)
R2311	ERJ6GEYJ182	M 1.8KOHM, J, 1/10W	1	(H)
R2312	ERJ3EKF1002	M 10KOHM, 1/16W	1	
R2323, 24	ERJ3GEYR000	M 0 OHM, 1/16W	2	
R2325	ERJ3GEYJ103	M 10KOHM, J, 1/16W	1	
R2329	ERJ3EKF1003	M 100KOHM, 1/16W	1	
R2332	ERJ3GEYJ103	M 10KOHM, J, 1/16W	1	
R2338	ERJ3GEYR000	M 0 OHM, 1/16W	1	
R2341	ERJ6GEYR000	M 0 OHM, 1/10W	1	
R2349	ERJ3GEYJ101	M 100 OHM, J, 1/16W	1	
R2354	ERJ3GEYJ102	M 1KOHM, J, 1/16W	1	
R2357	ERJ6GEYR000	M 0 OHM, 1/10W	1	
R2359	ERJ3GEYJ222	M 2.2KOHM, J, 1/16W	1	
R2360	ERJ3GEYJ103	M 10KOHM, J, 1/16W	1	
R2361	ERJ3GEYJ562	M 5.6KOHM, J, 1/16W	1	
R2363	ERJ3GEYJ471	M 470 OHM, J, 1/16W	1	
R2364	ERJ3GEYJ473	M 47KOHM, J, 1/16W	1	
R2365	ERJ3GEYJ101	M 100 OHM, J, 1/16W	1	
R2366	ERJ3GEYJ472	M 4.7KOHM, J, 1/16W	1	
R2368	ERJ6GEYR000	M 0 OHM, 1/10W	1	
R2369	ERJ3GEYJ183	M 18KOHM, J, 1/16W	1	
R2372, 73	ERJ6GEYJ681	M 680 OHM, J, 1/10W	2	
R2375	ERJ3GEYJ101	M 100 OHM, J, 1/16W	1	
R2376	ERJ3EKF1002	M 10KOHM, 1/16W	1	
R2379, 80	ERJ6ENF2201	M 2.2KOHM, 1/10W	2	
R2383	ERJ3EKF3301	M 3.3KOHM, 1/16W	1	
R2384	ERJ3EKF1151	M 1.15KOHM, 1/16W	1	
R2387	ERJ3EKF1151	M 1.15KOHM, 1/16W	1	
R2388	ERJ3EKF3301	M 3.3KOHM, 1/16W	1	(PA)
R2388, 89	ERJ6GEYJ102	M 1KOHM, J, 1/10W	2	(H)
R2390	ERJ3GEYJ203	M 20KOHM, J, 1/16W	1	
R2391	ERJ3GEYJ103	M 10KOHM, J, 1/16W	1	
R2392	ERJ3GEYJ223	M 22KOHM, J, 1/16W	1	
R2393	ERJ3GEYJ103	M 10KOHM, J, 1/16W	1	
R2396	ERJ3GEYJ103	M 10KOHM, J, 1/16W	1	
R2397	ERJ3GEYJ473	M 47KOHM, J, 1/16W	1	(H)
R2397	ERJ6GEYR000	M 0 OHM, 1/10W	1	(PA)
R2398	ERJ3GEYJ123	M 12KOHM, J, 1/16W	1	(H)
R2398	ERJ6GEYR000	M 0 OHM, 1/10W	1	(PA)
R2399	ERJ3GEYJ102	M 1KOHM, J, 1/16W	1	
R2400	ERJ6GEYJ182	M 1.8KOHM, J, 1/10W	1	
R2401, 02	ERJ3GEYJ331	M 330 OHM, J, 1/16W	2	
R2403	ERJ3GEYJ472	M 4.7KOHM, J, 1/16W	1	
R2404, 05	ERJ3GEYJ331	M 330 OHM, J, 1/16W	2	
R2406	ERJ3GEYJ472	M 4.7KOHM, J, 1/16W	1	
R2407	ERJ3EKF1241	M 1.24KOHM, 1/16W	1	
R2408	ERJ3EKF1071	M 1.07KOHM, 1/16W	1	
R2409	ERJ3EKF1621	M 1.62KOHM, 1/16W	1	
R2410	ERJ3EKF7870	M 787 OHM, 1/16W	1	
R2421	ERJ3EKF1621	M 1.62KOHM, 1/16W	1	
R2422	ERJ3EKF7870	M 787 OHM, 1/16W	1	
R2512	ERJ6GEYJ470	M 47 OHM, J, 1/10W	1	
R2516	ERJ3GEYJ223	M 22KOHM, J, 1/16W	1	
R2517	ERJ6GEYJ470	M 47 OHM, J, 1/10W	1	
R2520	ERJ3GEYJ224	M 220KOHM, J, 1/16W	1	
R2521	ERJ6GEYJ470	M 47 OHM, J, 1/10W	1	
R2524	ERJ3GEYJ223	M 22KOHM, J, 1/16W	1	
R2539	ERJ3GEYJ473	M 47KOHM, J, 1/16W	1	
R2540	ERJ3GEYJ223	M 22KOHM, J, 1/16W	1	

Ref. No.	Part No.	Part Name & Description	Pcs	Remarks
R2542	ERJ3GEYJ473	M 47KOHM, J, 1/16W	1	
R2554	ERJ6ENF75R0	M 75 OHM, 1/10W	1	
R2557	ERJ3GEYJ562	M 5.6KOHM, J, 1/16W	1	
R2559	ERJ6GEYR000	M 0 OHM, 1/10W	1	
R2560	ERJ3EKF5760	M 576 OHM, 1/16W	1	
R2567	ERJ6GEYR000	M 0 OHM, 1/10W	1	
R2572	ERJ6GEYR000	M 0 OHM, 1/10W	1	
R3001, 02	ERJ6ENF1500	M 150 OHM, 1/10W	2	
R3003-05	ERJ6ENF75R0	M 75 OHM, 1/10W	3	
R3006-08	ERJ6ENF1500	M 150 OHM, 1/10W	3	
R3009-15	ERJ6ENF75R0	M 75 OHM, 1/10W	7	
R3016, 17	ERJ6GEYJ101	M 100 OHM, J, 1/10W	2	
R3018, 19	ERJ6GEYJ680	M 68 OHM, J, 1/10W	2	
R3020-22	ERJ6ENF2202	M 2.2KOHM, 1/10W	3	
R3023, 24	ERJ6ENF1202	M 12KOHM, 1/10W	2	
R3025	ERJ3GEYJ103	M 10KOHM, J, 1/16W	1	
R3026	ERJ3GEYJ473	M 47KOHM, J, 1/16W	1	
R3027, 28	ERJ6ENF1500	M 150 OHM, 1/10W	2	
R3030-32	ERJ3GEYR000	M 0 OHM, 1/16W	3	
R3033, 34	ERJ6ENF1500	M 150 OHM, 1/10W	2	
R3036	ERJ6ENF1500	M 150 OHM, 1/10W	1	
R3041, 42	ERJ3GEYJ182	M 1.8KOHM, J, 1/16W	2	
R3043	ERJ3GEYJ331	M 330 OHM, J, 1/16W	1	
R3044, 45	ERJ3GEYR000	M 0 OHM, 1/16W	2	
R3048	ERJ3GEYJ223	M 22KOHM, J, 1/16W	1	
R3049	ERJ3GEYJ221	M 220 OHM, J, 1/16W	1	
R3050	ERJ3GEYJ242	M 2.4KOHM, J, 1/16W	1	
R3051	ERJ3GEYJ682	M 6.8KOHM, J, 1/16W	1	
R3052	ERJ3GEYR000	M 0 OHM, 1/16W	1	
R3057, 58	ERJ3GEYR000	M 0 OHM, 1/16W	2	
R3059-64	ERJ3GEYJ221	M 220 OHM, J, 1/16W	6	
R3068	ERJ6ENF75R0	M 75 OHM, 1/10W	1	
R3070	ERJ3GEYJ102	M 1KOHM, J, 1/16W	1	
R3072-75	ERJ3GEYJ221	M 220 OHM, J, 1/16W	4	
R3076	ERJ3GEYR000	M 0 OHM, 1/16W	1	
R3077	ERJ3GEYJ221	M 220 OHM, J, 1/16W	1	
R3078	ERJ3GEYR000	M 0 OHM, 1/16W	1	
R3086-88	ERJ3GEYJ221	M 220 OHM, J, 1/16W	3	
R3089, 90	ERJ3GEYJ220	M 22 OHM, J, 1/16W	2	
R3092	ERJ3GEYJ221	M 220 OHM, J, 1/16W	1	
R3094-01	ERJ3GEYJ221	M 220 OHM, J, 1/16W	8	
R3102	ERJ3GEYJ682	M 6.8KOHM, J, 1/16W	1	
R3103	ERJ3GEYJ222	M 2.2KOHM, J, 1/16W	1	
R3105	ERJ3GEYJ332	M 3.3KOHM, J, 1/16W	1	
R3107	ERJ3GEYJ103	M 10KOHM, J, 1/16W	1	
R3109	ERJ3GEYJ331	M 330 OHM, J, 1/16W	1	
R3111-14	ERJ3GEYR000	M 0 OHM, 1/16W	4	
R3115	ERJ3GEYJ101	M 100 OHM, J, 1/16W	1	
R3118	ERJ3GEYJ101	M 100 OHM, J, 1/16W	1	
R3121	ERJ3EKF1300V	M 130 OHM, 1/16W	1	
R3122	ERJ3GEYJ101	M 100 OHM, J, 1/16W	1	
R3123	ERJ3EKF1000	M 100 OHM, 1/16W	1	
R3125	ERJ6GEYJ102	M 1KOHM, J, 1/10W	1	
R3126	ERJ3GEYJ101	M 100 OHM, J, 1/16W	1	
R3127	ERJ6GEYJ102	M 1KOHM, J, 1/10W	1	
R3130, 31	ERJ3GEYJ101	M 100 OHM, J, 1/16W	2	

Ref. No.	Part No.	Part Name & Description	Pcs	Remarks
R3132,33	ERJ3GEYJ103	M 10KOHM,J,1/16W	2	
R3134	ERJ3GEYJ333	M 33KOHM,J,1/16W	1	
R3136	ERJ3GEYJ333	M 33KOHM,J,1/16W	1	
R3138	ERJ3EKF1000	M 100 OHM, 1/16W	1	
R3139	ERJ6GEYJ102	M 1KOHM,J,1/10W	1	
R3140	ERJ3EKF1300V	M 130 OHM, 1/16W	1	
R3141	ERJ6GEYJ102	M 1KOHM,J,1/10W	1	
R3143	ERJ6ENF75R0	M 75 OHM, 1/10W	1	
R3144	ERJ3GEYJ221	M 220 OHM,J,1/16W	1	
R3145	ERJ3GEYJ104	M 100KOHM,J,1/16W	1	
R3146	ERJ3GEYJ361	M 360 OHM,J,1/16W	1	
R3149	ERJ3GEYJ361	M 360 OHM,J,1/16W	1	
R3150	ERJ6ENF75R0	M 75 OHM, 1/10W	1	
R3151	ERJ3GEYJ221	M 220 OHM,J,1/16W	1	
R3152	ERJ3GEYJ104	M 100KOHM,J,1/16W	1	
R3153,54	ERJ3GEYJ361	M 360 OHM,J,1/16W	2	
R3155	ERJ6ENF75R0	M 75 OHM, 1/10W	1	
R3156	ERJ3GEYJ221	M 220 OHM,J,1/16W	1	
R3157	ERJ3GEYJ104	M 100KOHM,J,1/16W	1	
R3158,59	ERJ3GEYJ361	M 360 OHM,J,1/16W	2	
R3160,61	ERJ6GEYJ102	M 1KOHM,J,1/10W	2	
R3163	ERJ6ENF1202	M 12KOHM, 1/10W	1	
R3206	ERJ3GEYJ101	M 100 OHM,J,1/16W	1	
R3213,14	ERJ3GEY0R00	M 0 OHM, 1/16W	2	
R3215	J0JCC0000241	CHIP INDUCTOR	1	
R3222	ERJ3GEY0R00	M 0 OHM, 1/16W	1	
R3224	ERJ3GEY0R00	M 0 OHM, 1/16W	1	
R3227-29	ERJ3GEY0R00	M 0 OHM, 1/16W	3	
R3233,34	ERJ6ENF75R0	M 75 OHM, 1/10W	2	
R3238	ERJ3GEY0R00	M 0 OHM, 1/16W	1	
R3239	ERJ3GEYJ683	M 68KOHM,J,1/16W	1	
R3245-48	ERJ3GEY0R00	M 0 OHM, 1/16W	4	
R3249	J0JCC0000241	CHIP INDUCTOR	1	
R3250,51	ERJ3GEYJ472	M 4.7KOHM,J,1/16W	2	
R3302	ERJ6GEYJ101	M 100 OHM,J,1/10W	1	
R3305	ERJ6GEYJ101	M 100 OHM,J,1/10W	1	
R3306,07	ERJ6GEYJ472	M 4.7KOHM,J,1/10W	2	
R3308,09	ERJ6GEY0R00	M 0 OHM, 1/10W	2	
R3310	ERJ6ENF75R0	M 75 OHM, 1/10W	1	
R3312	ERJ3GEYJ103	M 10KOHM,J,1/16W	1	
R3313	ERJ6ENF75R0	M 75 OHM, 1/10W	1	
R3317	ERJ3GEYJ103	M 10KOHM,J,1/16W	1	
R3318	ERJ6ENF75R0	M 75 OHM, 1/10W	1	
R3320	ERJ6GEY0R00	M 0 OHM, 1/10W	1	
R3323,24	ERJ6GEY0R00	M 0 OHM, 1/10W	2	
R3330	ERJ3GEY0R00	M 0 OHM, 1/16W	1	
R3336	ERJ3GEYJ473	M 47KOHM,J,1/16W	1	
R3337	ERJ3GEYJ183	M 18KOHM,J,1/16W	1	
R3338	ERJ3GEYJ101	M 100 OHM,J,1/16W	1	
R3339	ERJ3GEYJ471	M 470 OHM,J,1/16W	1	
R3340	ERJ3GEYJ101	M 100 OHM,J,1/16W	1	
R3341	ERJ3GEYJ473	M 47KOHM,J,1/16W	1	
R3342	ERJ3GEYJ183	M 18KOHM,J,1/16W	1	
R3343	ERJ3GEYJ471	M 470 OHM,J,1/16W	1	
R3344	ERJ3GEYJ101	M 100 OHM,J,1/16W	1	
R3345	ERJ3GEYJ183	M 18KOHM,J,1/16W	1	
R3346	ERJ3GEYJ473	M 47KOHM,J,1/16W	1	
R3347	ERJ3GEYJ471	M 470 OHM,J,1/16W	1	
R3348,49	ERJ3GEYJ680	M 68 OHM,J,1/16W	2	
R3350-52	ERJ3GEYJ510	M 51 OHM,J,1/16W	3	
R3704	ERJ3GEY0R00	M 0 OHM, 1/16W	1	

Ref. No.	Part No.	Part Name & Description	Pcs	Remarks
R3709-11	ERJ3GEY0R00	M 0 OHM, 1/16W	3	
R3716,17	ERJ6GEYJ184	M 180KOHM,J,1/10W	2	
R3721	ERJ6GEYJ103	M 10KOHM,J,1/10W	1	
R3732	ERJ3GEY0R00	M 0 OHM, 1/16W	1	
R3733	ERJ6GEY0R00	M 0 OHM, 1/10W	1	
R3736-41	ERJ3GEY0R00	M 0 OHM, 1/16W	6	
R3746	ERJ6GEY0R00	M 0 OHM, 1/10W	1	
R3748	ERJ6GEY0R00	M 0 OHM, 1/10W	1	
R3750	ERJ6GEY0R00	M 0 OHM, 1/10W	1	
R3751	ERJ6ENF1432	M14.3KOHM, 1/10W	1	
R3753	ERJ6ENF1741	M1.74KOHM, 1/10W	1	
R3754	ERJ6ENF1621	M1.62KOHM, 1/10W	1	
R3755	ERJ6GEY0R00	M 0 OHM, 1/10W	1	
R3757	ERJ6GEY0R00	M 0 OHM, 1/10W	1	
R3758	ERJ6ENF6651	M6.65KOHM, 1/10W	1	
R3759-64	ERJ6GEY0R00	M 0 OHM, 1/10W	6	
R3765	ERJ6ENF2321	M2.32KOHM, 1/10W	1	
R3767	ERJ6ENF3161	M3.16KOHM, 1/10W	1	
R3768	ERJ6GEY0R00	M 0 OHM, 1/10W	1	
R4001	ERJ3EKF1211	M1.21KOHM, 1/16W	1	
R4004	ERJ2GE0R00	M 0.0 OHM, J,0.063W	1	
R4008	ERJ2GE0R00	M 0.0 OHM, J,0.063W	1	
R4010	ERJ2GE0R00	M 0.0 OHM, J,0.063W	1	
R4019	ERJ2GE0R00	M 0.0 OHM, J,0.063W	1	
R4021	ERJ2GE0R00	M 0.0 OHM, J,0.063W	1	
R4022	ERJ2GEJ102	M 1KOHM, J,0.063W	1	
R4024,25	ERJ2GE0R00	M 0.0 OHM, J,0.063W	2	
R4026,27	ERJ2GEJ102	M 1KOHM, J,0.063W	2	
R4029	ERJ2GEJ220	M 22 OHM, J,0.063W	1	
R4031-33	ERJ2GEJ103	M 10KOHM, J,0.063W	3	
R4037-39	DIHG1038A002	NETWORK RESISTER	3	
R4040,41	ERJ2GE0R00	M 0.0 OHM, J,0.063W	2	
R4045,46	ERJ3GEY0R00	M 0 OHM, 1/16W	2	
R4101	ERJ2GEJ103	M 10KOHM, J,0.063W	1	
R4257	ERJ3EKF3302	M 33KOHM, 1/16W	1	
R4265	ERJ3EKF3242	M32.4KOHM, 1/16W	1	
R4269	ERJ2GE0R00	M 0.0 OHM, J,0.063W	1	
R4271,72	ERJ2GE0R00	M 0.0 OHM, J,0.063W	2	
R4286,87	ERJ2GE0R00	M 0.0 OHM, J,0.063W	2	
R4293	ERJ2GE0R00	M 0.0 OHM, J,0.063W	1	
R4338-43	ERJ2GE0R00	M 0.0 OHM, J,0.063W	6	
R4457	ERJ2GE0R00	M 0.0 OHM, J,0.063W	1	
R4465	ERJ2GEJ224	M 220KOHM, J,0.063W	1	
R4469,70	ERJ3EKF1500	M 150 OHM, 1/16W	2	
R4472	ERJ2GE0R00	M 0.0 OHM, J,0.063W	1	
R4474	ERJ3EKF1211	M1.21KOHM, 1/16W	1	
R4479,80	ERJ3EKF4220	M 422 OHM, 1/10W	2	
R4481	ERJ3EKF2201	M 2.2KOHM, 1/16W	1	
R4482,83	ERJ3EKF1781	M1.78KOHM, 1/16W	2	
R4486	ERJ3EKF4870	M 487 OHM, 1/16W	1	
R4487	ERJ3EKF5600	M 560 OHM, 1/16W	1	
R4488	ERJ3EKF2201	M 2.2KOHM, 1/16W	1	

Ref. No.	Part No.	Part Name & Description	Pcs	Remarks
R4490	ERJ6GEYJ102	M 1KOHM,J,1/10W	1	
R4492	ERJ6GEYJ102	M 1KOHM,J,1/10W	1	
R4495	ERJ3EKF4302	M 43KOHM, 1/16W	1	
R4496-99	ERJ6GEYJ102	M 1KOHM,J,1/10W	4	
R4500	ERJ3EKF2702V	M27.0KOHM, 1/16W	1	
R4501,02	ERJ6GEYJ102	M 1KOHM,J,1/10W	2	
R4503	ERJ3EKF1600	M 160 OHM, 1/16W	1	
R4505	ERJ2GEJ103	M 10KOHM, J,0.063W	1	
R4506	ERJ2GE0R00	M 0.0 OHM, J,0.063W	1	
R4508	ERJ2GE0R00	M 0.0 OHM, J,0.063W	1	
R4510	ERJ2GE0R00	M 0.0 OHM, J,0.063W	1	
R4517	ERJ3EKF1371	M 13.7 OHM, 1/16W	1	
R4520	ERJ3EKF1691	M1.69KOHM, 1/16W	1	
R4521,22	ERJ2GEJ220	M 22 OHM, J,0.063W	2	
R4527	ERJ2GEJ220	M 22 OHM, J,0.063W	1	
R4533	ERJ2GEJ220	M 22 OHM, J,0.063W	1	
R4534,35	ERJ2GEJ101	M 100 OHM, J,0.063W	2	
R4544	ERJ2GEJ220	M 22 OHM, J,0.063W	1	
R4550	EXB28V220J	RESISTOR ARRAY	1	
R4552	EXB28V220J	RESISTOR ARRAY	1	
R4554	ERJ2GEJ220	M 22 OHM, J,0.063W	1	
R4555	EXB28V220J	RESISTOR ARRAY	1	
R4560,61	EXB28V220J	RESISTOR ARRAY	2	
R4563-65	ERJ2GEJ220	M 22 OHM, J,0.063W	3	
R4568	ERJ2GEJ101	M 100 OHM, J,0.063W	1	
R4572	ERJ2GEJ103	M 10KOHM, J,0.063W	1	
R4575	ERJ2GEJ472	M 4.7KOHM, J,0.063W	1	
R4577-79	ERJ2GEJ222	M 2.2KOHM, J,0.063W	3	
R4583,84	ERJ2GEJ390	M 39 OHM, J,0.063W	2	
R4589-04	ERJ2GEJ2R7X	M 2.7OHM, J,0.063W	16	
R4605,06	ERJ2GEJ103	M 10KOHM, J,0.063W	2	
R4607	ERJ2GEJ220	M 22 OHM, J,0.063W	1	
R4609,10	ERJ2GEJ103	M 10KOHM, J,0.063W	2	
R4612,13	ERJ2GEJ472	M 4.7KOHM, J,0.063W	2	
R4617,18	ERJ2GEJ472	M 4.7KOHM, J,0.063W	2	
R4619	ERJ2GEJ473	M 47KOHM,J,0.063W	1	
R4620	ERJ2GEJ560	M 56 OHM, J,0.063W	1	
R4621	ERJ2GEJ473	M 47KOHM,J,0.063W	1	
R4622	ERJ2GEJ560	M 56 OHM, J,0.063W	1	
R4624	ERJ2GEJ560	M 56 OHM, J,0.063W	1	
R4626	ERJ2GEJ560	M 56 OHM, J,0.063W	1	
R4628	ERJ2GEJ103	M 10KOHM, J,0.063W	1	
R4629-32	ERJ2GEJ472	M 4.7KOHM, J,0.063W	4	
R4633,34	ERJ2GEJ220	M 22 OHM, J,0.063W	2	
R4636	ERJ2GEJ103	M 10KOHM, J,0.063W	1	
R4637	ERJ2GEJ330	M 33 OHM, J,0.063W	1	
R4639	ERJ2GEJ103	M 10KOHM, J,0.063W	1	
R4640	ERJ2GEJ220	M 22 OHM, J,0.063W	1	
R4641	EXB28V330J	RESISTOR ARRAY	1	
R4642-45	ERJ2GEJ220	M 22 OHM, J,0.063W	4	
R4647	ERJ2GEJ220	M 22 OHM, J,0.063W	1	
R4648	ERJ2GEJ330	M 33 OHM, J,0.063W	1	
R4655	ERJ2GEJ330	M 33 OHM, J,0.063W	1	
R4657	ERJ2GEJ182	M 1.8KOHM, J,0.063W	1	
R4658	ERJ2GEJ220	M 22 OHM, J,0.063W	1	

Ref. No.	Part No.	Part Name & Description	Pcs	Remarks
R4660	ERJ2GEJ220	M 22 OHM, J,0.063W	1	
R4661	ERJ2GEJ472	M 4.7KOHM, J,0.063W	1	
R4662	ERJ2GEJ220	M 22 OHM, J,0.063W	1	
R4665	EXB2HV220JV	RESISTOR ARRAY	1	
R4667	EXB2HV220JV	RESISTOR ARRAY	1	
R4668	ERJ2GEJ680	M 68 OHM, J,0.063W	1	
R4669	EXB2HV220JV	RESISTOR ARRAY	1	
R4672,73	ERJ2GEJ103	M 10KOHM, J,0.063W	2	
R4675	ERJ3EKF1802	M 18KOHM, 1/16W	1	
R4677	ERJ3EKF1802	M 18KOHM, 1/16W	1	
R4679,80	ERJ3EKF2202	M 22KOHM, 1/16W	2	
R4681,82	ERJ3EKF3302	M 33KOHM, 1/16W	2	
R4701	ERJ2GEJ680	M 68 OHM, J,0.063W	1	
R4706	ERJ2GE0R00	M 0.0 OHM, J,0.063W	1	
R4708,09	ERJ2GEJ680	M 68 OHM, J,0.063W	2	
R4710	ERJ2GE0R00	M 0.0 OHM, J,0.063W	1	
R4711	ERJ2GEJ103	M 10KOHM, J,0.063W	1	
R4712	ERJ2GE0R00	M 0.0 OHM, J,0.063W	1	
R4713,14	EXB2HV221JV	RESISTOR ARRAY	2	
R4715	ERJ2GE0R00	M 0.0 OHM, J,0.063W	1	
R4718-20	ERJ2GEJ680	M 68 OHM, J,0.063W	3	
R4727	ERJ2GE0R00	M 0.0 OHM, J,0.063W	1	
R4729,30	ERJ3EKF1000	M 100 OHM, 1/16W	2	
R4731	ERJ3EKF1001	M 1KOHM, 1/16W	1	
R4732	ERJ3EKF4751	M4.75KOHM, 1/16W	1	
R4733	ERJ3EKF75R0	M 0.75HM, 1/16W	1	
R4734	ERJ2GEJ223	M 22KOHM, J,0.063W	1	
R4735	ERJ3EKF2001	M 2KOHM, 1/16W	1	
R4737	ERJ2GE0R00	M 0.0 OHM, J,0.063W	1	
R4738,39	ERJ2GEJ332	M 3.3KOHM, J,0.063W	2	
R4743-47	ERJ2GEJ680	M 68 OHM, J,0.063W	5	
R4749,50	EXB2HV680J	RESISTOR ARRAY	2	
R4751-54	ERJ2GEJ220	M 22 OHM, J,0.063W	4	
R4756-60	ERJ2GEJ680	M 68 OHM, J,0.063W	5	
R4762	EXB2HV680J	RESISTOR ARRAY	1	
R4763-65	ERJ2GE0R00	M 0.0 OHM, J,0.063W	3	
R4772	EXB2HV470JV	RESISTOR ARRAY	1	
R4773	ERJ2GEJ470	M 47 OHM, J,0.063W	1	
R4774	EXB2HV470JV	RESISTOR ARRAY	1	
R4775	ERJ2GEJ470	M 47 OHM, J,0.063W	1	
R4776	EXB2HV470JV	RESISTOR ARRAY	1	
R4777	ERJ2GEJ470	M 47 OHM, J,0.063W	1	
R4778	EXB2HV470JV	RESISTOR ARRAY	1	
R4779	ERJ2GEJ470	M 47 OHM, J,0.063W	1	
R4782	ERJ2GEJ220	M 22 OHM, J,0.063W	1	
R4783	ERJ2GEJ472	M 4.7KOHM, J,0.063W	1	
R4784	ERJ2GEJ220	M 22 OHM, J,0.063W	1	
R4785	ERJ2GEJ472	M 4.7KOHM, J,0.063W	1	
R4788	EXB2HV470JV	RESISTOR ARRAY	1	
R4791,92	ERJ2GEJ470	M 47 OHM, J,0.063W	2	
R4793,94	ERJ2GEJ220	M 22 OHM, J,0.063W	2	
R4796	EXB2HV470JV	RESISTOR ARRAY	1	
R4804	ERJ2GEJ101	M 100 OHM, J,0.063W	1	

Ref. No.	Part No.	Part Name & Description	Pcs	Remarks
R4805,06	ERJ3EKF1001	M 1KOHM, 1/16W	2	
R4807-11	ERJ2GEOR00	M 0.0 OHM, J,0.063W	5	
R4814	ERJ2GEJ103	M 10KOHM, J,0.063W	1	
R4816,17	ERJ2GEJ223	M 22KOHM, J,0.063W	2	
R4819	ERJ2GEJ223	M 22KOHM, J,0.063W	1	
R4822	ERJ2GEJ103	M 10KOHM, J,0.063W	1	
R4823-25	JOJAD0000025	CHIP INDUCTOR	3	
R4826,27	EXB2HVR000	RESISTOR ARRAY	2	
R4830,31	ERJ2GEOR00	M 0.0 OHM, J,0.063W	2	
R4837	ERJ2GEJ220	M 22 OHM, J,0.063W	1	
R4838	ERJ2GEJ112	M 1.1KOHM, J,0.063W	1	
R4840	ERJ2GEOR00	M 0.0 OHM, J,0.063W	1	
R4891	ERJ2GEOR00	M 0.0 OHM, J,0.063W	1	
R4898	ERJ2GEJ103	M 10KOHM, J,0.063W	1	
R4960	EXB2HV680J	RESISTOR ARRAY	1	
R4961-63	ERJ2GEJ680	M 68 OHM, J,0.063W	3	
R4964	EXB2HV680J	RESISTOR ARRAY	1	
R4965,66	ERJ2GEJ680	M 68 OHM, J,0.063W	2	
R4967	EXB2HV680J	RESISTOR ARRAY	1	
R4968-72	ERJ2GEJ680	M 68 OHM, J,0.063W	5	
R5601	ERJ3EKF1800	M 180 OHM, 1/16W	1	
R5603	ERJ3EKF1542	M15.4KOHM, 1/16W	1	
R5605	ERJ3GEYJ472	M 4.7KOHM, J,1/16W	1	
R5606	ERJ3GEYJ222	M 2.2KOHM, J,1/16W	1	
R5607	ERJ3EKF4531	M4.53KOHM, 1/16W	1	
R5609	ERJ3EKF2000	M 200 OHM, 1/16W	1	
R5611	ERJ6ENF8202	M 82KOHM, 1/10W	1	
R5612	ERJ6ENF1602	M 16KOHM, 1/10W	1	
R5615	ERJ3GEYJ103	M 10KOHM, J,1/16W	1	
R5617	ERJ3GEYJ102	M 1KOHM, J,1/16W	1	
R5619	ERJ3GEYJ333	M 33KOHM, J,1/16W	1	
R5620	ERJ3GEYJ102	M 1KOHM, J,1/16W	1	
R5621	ERJ3GEYJ472	M 4.7KOHM, J,1/16W	1	
R5625-27	ERJ3GEYJ472	M 4.7KOHM, J,1/16W	3	
R5632	ERJ3GEYJ471	M 470 OHM, J,1/16W	1	
R5633	ERJ3GEYJ102	M 1KOHM, J,1/16W	1	
R5634	ERJ3GEYJ471	M 470 OHM, J,1/16W	1	
R5635	ERJ3GEYJ221	M 220 OHM, J,1/16W	1	
R5637,38	ERJ3GEYJ103	M 10KOHM, J,1/16W	2	
R5639	ERJ3GEYJ222	M 2.2KOHM, J,1/16W	1	
R5640	ERJ3GEYJ472	M 4.7KOHM, J,1/16W	1	
R5641	ERJ3GEYJ222	M 2.2KOHM, J,1/16W	1	
R5642	ERJ3GEYJ471	M 470 OHM, J,1/16W	1	
R5643	ERJ3GEYJ102	M 1KOHM, J,1/16W	1	
R5644	ERJ3GEYJ222	M 2.2KOHM, J,1/16W	1	
R5645	ERJ3EKF2201	M 2.2KOHM, 1/16W	1	
R5646	ERJ3EKF4701	M 4.7KOHM, 1/16W	1	
R5647	ERJ3GEYJ221	M 220 OHM, J,1/16W	1	
R5648	ERJ3GEYJ392	M 3.9KOHM, J,1/16W	1	
R5649	ERJ3GEYJ104	M 100KOHM, J,1/16W	1	
R5650	ERJ3GEYJ221	M 220 OHM, J,1/16W	1	
R5652	ERJ3GEYOR00	M 0 OHM, 1/16W	1	
R5653,54	ERJ3GEYJ103	M 10KOHM, J,1/16W	2	
R5659	ERJ3EKF4700	M 470 OHM, 1/16W	1	
R5660	ERJ3GEYOR00	M 0 OHM, 1/16W	1	
R5662	ERJ3GEYJ472	M 4.7KOHM, J,1/16W	1	
R5664	ERJ3GEYJ472	M 4.7KOHM, J,1/16W	1	
R5665	ERJ3GEYJ473	M 47KOHM, J,1/16W	1	
R5667-69	ERJ3GEYJ473	M 47KOHM, J,1/16W	3	
R5672	ERJ3GEYJ103	M 10KOHM, J,1/16W	1	

Ref. No.	Part No.	Part Name & Description	Pcs	Remarks
R5676	ERJ3GEYJ103	M 10KOHM, J,1/16W	1	
R5692	ERJ3GEYJ102	M 1KOHM, J,1/16W	1	
R5693	ERJ3GEYJ333	M 33KOHM, J,1/16W	1	
R5694	ERJ3GEYJ473	M 47KOHM, J,1/16W	1	
R5695	ERJ3GEYJ103	M 10KOHM, J,1/16W	1	
R5801	ERJ3EKF8450	M 845 OHM, 1/16W	1	
R5802	ERJ3EKF1302	M 23KOHM, 1/16W	1	
R5803	ERJ3EKF2001	M 2KOHM, 1/16W	1	
R5804	ERJ3GEYOR00	M 0 OHM, 1/16W	1	
R5805-08	ERJ3GEYJ222	M 2.2KOHM, J,1/16W	4	
R5809	ERJ3GEYJ472	M 4.7KOHM, J,1/16W	1	
R5822-24	ERJ3GEYJ101	M 100 OHM, J,1/16W	3	
R5826	ERJ3GEYJ101	M 100 OHM, J,1/16W	1	
R5836	ERJ3GEYJ102	M 1KOHM, J,1/16W	1	
R6001-06	ERJ14YJ150U	M 15 OHM, J,1/4W	6	
R6020	ERG3FJS101D	M 100 OHM, J, 3W	1	
R6021	ERJ14YJ150U	M 15 OHM, J,1/4W	1	
R6022	ERG3FJS101D	M 100 OHM, J, 3W	1	
R6023-27	ERJ14YJ150U	M 15 OHM, J,1/4W	5	
R6031,32	ERJ6ENF8202	M 82KOHM, 1/10W	2	
R6033	ERJ6ENF5602	M 56KOHM, 1/10W	1	
R6034	ERJ6ENF2702	M 27KOHM, 1/10W	1	
R6041-44	ERJ14YJ100	M 10 OHM, J,1/4W	4	
R6051-54	ERJ14YJ100	M 10 OHM, J,1/4W	4	
R6061,62	ERJ6GEYJ224	M 220KOHM, J,1/10W	2	
R6101-08	ERJ6GEYJ101	M 100 OHM, J,1/10W	8	
R6109	DOG100JA036	M 10 OHM, J,0.25W	1	
R6110	ERJ6GEYJ103	M 10KOHM, J,1/10W	1	
R6111,12	DOG470JA036	M 47 OHM, J,0.25W	2	
R6113	ERJ14YJ224	M 220KOHM, J,1/4W	1	
R6114	DOG470JA036	M 47 OHM, J,0.25W	1	
R6116	ERJ6GEYJ103	M 10KOHM, J,1/10W	1	
R6131,32	ERJ6GEYJ101	M 100 OHM, J,1/10W	2	
R6133,34	ERJ6GEYJ151	M 150 OHM, J,1/10W	2	
R6135,36	DOG100JA036	M 10 OHM, J,0.25W	2	
R6141,42	ERJ6GEYJ103	M 10KOHM, J,1/10W	2	
R6146,47	ERJ6GEYJ103	M 10KOHM, J,1/10W	2	
R6151,52	ERJ6GEYJ101	M 100 OHM, J,1/10W	2	
R6153,54	ERJ6GEYJ151	M 150 OHM, J,1/10W	2	
R6155,56	ERJ6GEYOR00	M 0 OHM, 1/10W	2	
R6157-60	DOGF1R0JA047	M 1.0 OHM, J, 0.33W	4	
R6171	DOG100JA036	M 10 OHM, J,0.25W	1	
R6172,73	ERJ6GEYJ103	M 10KOHM, J,1/10W	2	
R6181	DOG100JA036	M 10 OHM, J,0.25W	1	
R6182,83	ERJ6GEYJ103	M 10KOHM, J,1/10W	2	
R6191-94	ERJ6GEYJ101	M 100 OHM, J,1/10W	4	
R6195	DOG104JA036	M 100KOHM, J,0.25W	1	
R6196	ERJ6GEYJ104	M 100KOHM, J,1/10W	1	
R6213	ERJ6GEYJ101	M 100 OHM, J,1/10W	1	
R6214	DOG151JA036	M 150 OHM, J,0.25W	1	
R6222	ERGLFJS103D	M 10KOHM, J, 1W	1	
R6223	ERG2FJS123D	M 12KOHM, J, 2W	1	
R6225	DOG203JA036	M 20KOHM, J,0.25W	1	
R6226,27	ERJ6GEYJ163	M 16KOHM, J,1/10W	2	

Ref. No.	Part No.	Part Name & Description	Pcs	Remarks
R6228	ERJ6GEYJ562	M 5.6KOHM,J,1/10W	1	
R6229	ERJ6GEYJ163	M 16KOHM,J,1/10W	1	
R6231	ERJ6GEY0R00	M 0 OHM, 1/10W	1	
R6232	ERJ6ENF1201	M 1.2KOHM, 1/10W	1	
R6241	EXB38V470J	RESISTOR ARRAY	1	
R6242	EXB38V472J	RESISTOR ARRAY	1	
R6243	ERJ6GEYJ470	M 47 OHM,J,1/10W	1	
R6244	ERJ6GEYJ472	M 4.7KOHM,J,1/10W	1	
R6245	ERJ6GEYJ470	M 47 OHM,J,1/10W	1	
R6246	ERJ6GEYJ472	M 4.7KOHM,J,1/10W	1	
R6251	D0GD103JA036	M 10KOHM,J,0.25W	1	
R6252,53	ERJ6ENF3902	M 39KOHM, 1/10W	2	
R6254	ERJ6ENF8201	M 8.2KOHM, 1/10W	1	
R6255	ERJ6ENF1201	M 1.2KOHM, 1/10W	1	
R6256	ERJ6ENF1501	M 1.5KOHM, 1/10W	1	
R6257	ERJ6GEYJ103	M 10KOHM,J,1/10W	1	
R6258	ERJ6GEYJ222	M 2.2KOHM,J,1/10W	1	
R6261	ERJ6GEYJ104	M 100KOHM,J,1/10W	1	
R6401-06	ERJ14YJ150U	M 15 OHM, J,1/4W	6	
R6421-26	ERJ14YJ150U	M 15 OHM, J,1/4W	6	
R6441-44	ERJ14YJ100	M 10 OHM, J,1/4W	4	
R6451-54	ERJ14YJ100	M 10 OHM, J,1/4W	4	
R6465	ERJ6ENF2702	M 27KOHM, 1/10W	1	
R6466	ERJ6ENF5602	M 56KOHM, 1/10W	1	
R6467,68	ERJ6ENF8202	M 82KOHM, 1/10W	2	
R6471	ERJ6GEYJ392	M 3.9KOHM,J,1/10W	1	
R6472	ERJ6GEYJ222	M 2.2KOHM,J,1/10W	1	
R6473	ERJ6GEYJ561	M 560 OHM,J,1/10W	1	
R6474	ERJ6GEYJ102	M 1KOHM,J,1/10W	1	
R6475,76	ERJ6GEYJ472	M 4.7KOHM,J,1/10W	2	
R6477	ERJ6GEYJ102	M 1KOHM,J,1/10W	1	
R6478	ERJ6GEYJ472	M 4.7KOHM,J,1/10W	1	
R6479	ERJ6GEYJ104	M 100KOHM,J,1/10W	1	
R6501,02	ERJ6GEYJ101	M 100 OHM,J,1/10W	2	
R6503	D0GD100JA036	M 10 OHM,J,0.25W	1	
R6504,05	ERJ6GEYJ151	M 150 OHM,J,1/10W	2	
R6506	D0GD100JA036	M 10 OHM,J,0.25W	1	
R6507-09	D0GF1R0JA047	M 1.0 OHM,J, 0.33W	3	
R6511,12	ERJ6GEYJ103	M 10KOHM,J,1/10W	2	
R6516,17	ERJ6GEYJ103	M 10KOHM,J,1/10W	2	
R6521,22	ERJ6GEYJ101	M 100 OHM,J,1/10W	2	
R6523,24	ERJ6GEYJ151	M 150 OHM,J,1/10W	2	
R6525,26	ERJ6GEY0R00	M 0 OHM, 1/10W	2	
R6531	D0GD100JA036	M 10 OHM,J,0.25W	1	
R6532,33	ERJ6GEYJ103	M 10KOHM,J,1/10W	2	
R6551	D0GD100JA036	M 10 OHM,J,0.25W	1	
R6552,53	ERJ6GEYJ103	M 10KOHM,J,1/10W	2	
R6561-64	EXB38V470J	RESISTOR ARRAY	4	
R6565-68	EXB38V472J	RESISTOR ARRAY	4	
R6581	D0GD103JA036	M 10KOHM,J,0.25W	1	
R6582,83	ERJ6ENF3902	M 39KOHM, 1/10W	2	
R6584	ERJ6ENF1002	M 10KOHM, 1/10W	1	
R6585	ERJ6ENF1201	M 1.2KOHM, 1/10W	1	
R6586	ERJ6ENF1801	M 1.8KOHM, 1/10W	1	
R6587	ERJ6GEYJ222	M 2.2KOHM,J,1/10W	1	
R6588	ERJ6GEYJ103	M 10KOHM,J,1/10W	1	
R6590	ERJ6GEYJ221	M 220 OHM,J,1/10W	1	

Ref. No.	Part No.	Part Name & Description	Pcs	Remarks
R6591	EXB38V472J	RESISTOR ARRAY	1	
R6592	ERJ6GEYJ472	M 4.7KOHM,J,1/10W	1	
R6603	ERJ6GEYJ101	M 100 OHM,J,1/10W	1	
R6604	D0GD151JA036	M 150 OHM,J,0.25W	1	
R6605	ERJ6GEYJ104	M 100KOHM,J,1/10W	1	
R6606	ERJ6GEY0R00	M 0 OHM, 1/10W	1	
R6607	ERJ6ENF5601	M 5.6KOHM, 1/10W	1	
R6608,09	D0GF102JA047	M 1.0 KOHM,J,0.33W	2	
R6610	ERJ6GEYJ104	M 100KOHM,J,1/10W	1	
R6611	ERJ6GEYJ105	M 1MOHM,J,1/10W	1	
R6612	ERJ6GEYJ470	M 47 OHM,J,1/10W	1	
R6613	ERJ6GEYJ105	M 1MOHM,J,1/10W	1	
R6614,15	D0GF243JA047	M 24 KOHM,J,0.33W	2	
R6616	ERJ6ENF1502	M 15KOHM, 1/10W	1	
R6617	ERJ6GEYJ105	M 1MOHM,J,1/10W	1	
R6618	ERJ6ENF1202	M 12KOHM, 1/10W	1	
R6619	ERJ6ENF1501	M 1.5KOHM, 1/10W	1	
R6620	D0D28R2JA021	M 8.2 OHM,J,5W	1	
R6621,22	ERJ6GEYJ221	M 220 OHM,J,1/10W	2	
R6641,42	ERJ6GEYJ100	M 10 OHM,J,1/10W	2	
R6644,45	ERJ6GEYJ100	M 10 OHM,J,1/10W	2	
R6647,48	ERJ6GEYJ100	M 10 OHM,J,1/10W	2	
R6658	D0D1101JA009	M 100 OHM,J,1W	1	
R6659,60	ERJ6GEYJ224	M 220KOHM,J,1/10W	2	
R6661	ERJ6GEYJ104	M 100KOHM,J,1/10W	1	
R6662	ERJ6ENF3001	M 3KOHM, 1/10W	1	
R6663	ERJ6GEYJ103	M 10KOHM,J,1/10W	1	
R6664	D0GF222JA047	M 2.2 KOHM,J,0.33W	1	
R6665	ERJ14YJ470	M 47 OHM,J, 1/2W	1	
R6666	ERJ6GEYJ104	M 100KOHM,J,1/10W	1	
R6667,68	ERJ6GEYJ472	M 4.7KOHM,J,1/10W	2	
R6671	ERJ6GEYJ470	M 47 OHM,J,1/10W	1	
R6672	ERJ6GEYJ103	M 10KOHM,J,1/10W	1	
R6673,74	D0GD5R6JA059	M 5.6 OHM,J,0.25W	2	
R6682	ERJ6GEYJ101	M 100 OHM,J,1/10W	1	
R6683	D0GD151JA036	M 150 OHM,J,0.25W	1	
R6684	ERJ6GEYJ100	M 10 OHM,J,1/10W	1	
R6685	ERJ6GEYJ471	M 470 OHM,J,1/10W	1	
R6686	ERJ6GEYJ103	M 10KOHM,J,1/10W	1	
R6687	ERJ6GEYJ222	M 2.2KOHM,J,1/10W	1	
R6688	ERJ6GEYJ472	M 4.7KOHM,J,1/10W	1	
R6689	ERJ6GEYJ100	M 10 OHM,J,1/10W	1	
R6690	ERJ6GEYJ151	M 150 OHM,J,1/10W	1	
R6691	ERJ6GEYJ103	M 10KOHM,J,1/10W	1	
R6696,97	D0D32R2JA020	M 2.2 OHM,J,5W	2	
R6700-08	ERJ6GEYJ471	M 470 OHM,J,1/10W	9	
R6710-18	ERJ6GEYJ222	M 2.2KOHM,J,1/10W	9	
R6721,22	EXB38V220J	RESISTOR ARRAY	2	
R6723	ERJ6GEYJ222	M 2.2KOHM,J,1/10W	1	
R6724	ERJ6GEYJ101	M 100 OHM,J,1/10W	1	
R6742	ERJ6GEYJ103	M 10KOHM,J,1/10W	1	
R6743	ERJ6GEYJ102	M 1KOHM,J,1/10W	1	
R6744	ERJ6GEYJ103	M 10KOHM,J,1/10W	1	
R6745	ERJ6GEYJ472	M 4.7KOHM,J,1/10W	1	
R6746,47	D0GD103JA036	M 10KOHM,J,0.25W	2	
R6755	ERJ6GEYJ101	M 100 OHM,J,1/10W	1	
R6756-58	D0GD101JA059	M 100 OHM,J,0.25W	3	
R6759	ERJ6GEYJ472	M 4.7KOHM,J,1/10W	1	
R6760	ERJ6GEYJ122	M 1.2KOHM,J,1/10W	1	
R6761	ERJ6GEYJ100	M 10 OHM,J,1/10W	1	
R6762	ERJ6GEYJ103	M 10KOHM,J,1/10W	1	

Ref. No.	Part No.	Part Name & Description	Pcs	Remarks
R6775,76	ERJ6GEYJ101	M 100 OHM,J,1/10W	2	
R6777	DOGD151JA036	M 150 OHM,J,0.25W	1	
R6781	ERJ6GEYJ470	M 47 OHM,J,1/10W	1	
R6782	ERJ6GEYJ103	M 10KOHM,J,1/10W	1	
R6791	ERJ6GEYJ102	M 1KOHM,J,1/10W	1	
R6792	ERJ6GEYJ103	M 10KOHM,J,1/10W	1	
R6793	ERJ6GEYJ101	M 100 OHM,J,1/10W	1	
R6801,02	ERX1FJSR22D	M0.22 OHM, J, 1W	2	
R6806	ERJ6GEYJ103	M 10KOHM,J,1/10W	1	
R6807	ERJ6GEYJ332	M 3.3KOHM,J,1/10W	1	
R6808	ERG3FJS560D	M 56 OHM, J, 3W	1	
R6809	ERJ6GEYJ103	M 10KOHM,J,1/10W	1	
R6810,11	ERJ6GEYJ473	M 47KOHM,J,1/10W	2	
R6812	ERJ6ENF2403	M 240KOHM, 1/10W	1	
R6813	ERJ6ENF1002	M 10KOHM, 1/10W	1	
R6814	ERJ6ENF5601	M 5.6KOHM, 1/10W	1	
R6815	ERG2FJS183D	M 18KOHM, J, 2W	1	
R6816	ERJ6ENF1582	M15.8KOHM, 1/10W	1	
R6817	ERJ6ENF2701	M 2.7KOHM, 1/10W	1	
R6821	ERG2FJS221D	M 220 OHM, J, 2W	1	
R6822	ERJ12YJ104U	M 100KOHM, 1/2W	1	
R6823	ERG1FJS104D	M 100KOHM, J, 1W	1	
R6824	ERJ6GEYJ562	M 5.6KOHM,J,1/10W	1	
R6825,26	ERJ6ENF2703	M 270KOHM, 1/10W	2	
R6827	ERJ6GEY0R00	M 0 OHM, 1/10W	1	
R6828	ERJ6ENF5231	M5.23KOHM, 1/10W	1	
R6829,30	ERJ6GEYJ224	M 220KOHM,J,1/10W	2	
R6831	ERJ6GEYJ153	M 15KOHM,J,1/10W	1	
R6833-35	ERJ6ENF5602	M 56KOHM, 1/10W	3	
R6836	ERJ6ENF6802	M 68KOHM, 1/10W	1	
R6837	ERJ6ENF4702	M 47KOHM, 1/10W	1	
R6839	ERJ6GEYJ472	M 4.7KOHM,J,1/10W	1	
R6841	ERJ12YJ153U	M 15KOHM, 1/2W	1	
R6842	ERJ14YJ433U	M 43KOHM, 1/2W	1	
R6843	ERJ6GEYJ623	M 62KOHM,J,1/10W	1	
R6844	ERG2FJS101D	M 100 OHM, J, 2W	1	
R6845	ERJ6GEYJ623	M 62KOHM,J,1/10W	1	
R6846,47	ERJ6GEYJ563	M 56KOHM,J,1/10W	2	
R6848	ERJ6GEYJ103	M 10KOHM,J,1/10W	1	
R6849,50	ERJ6ENF6802	M 68KOHM, 1/10W	2	
R6851	ERJ6ENF1201	M 1.2KOHM, 1/10W	1	
R6852	ERJ6ENF2491	M2.49KOHM, 1/10W	1	
R6853	ERJ6GEYJ101	M 100 OHM,J,1/10W	1	
R6860	DOD28R2JA021	M 8.2 OHM,J,5W	1	
R6861	ERJ6ENF3902	M 39KOHM, 1/10W	1	
R6862,63	ERJ6ENF4702	M 47KOHM, 1/10W	2	
R6864	ERJ6ENF9101	M 9.1KOHM, 1/10W	1	
R6865,66	ERJ6ENF2201	M 2.2KOHM, 1/10W	2	
R6867	ERJ6GEYJ392	M 3.9KOHM,J,1/10W	1	
R6868	ERJ6GEYJ223	M 22KOHM,J,1/10W	1	
R6869	ERJ6GEYJ472	M 4.7KOHM,J,1/10W	1	
R6871-73	ERJ6ENF3902	M 39KOHM, 1/10W	3	
R6874	ERJ6ENF8201	M 8.2KOHM, 1/10W	1	
R6875	ERJ6ENF3301	M 3.3KOHM, 1/10W	1	
R6876	ERJ6ENF1201	M 1.2KOHM, 1/10W	1	
R6877	ERJ6GEYJ392	M 3.9KOHM,J,1/10W	1	
R6878	ERJ6GEYJ223	M 22KOHM,J,1/10W	1	
R6879	ERJ6GEYJ472	M 4.7KOHM,J,1/10W	1	
R6886-88	ERJ6GEYJ224	M 220KOHM,J,1/10W	3	
R6901	ERJ6GEYJ101	M 100 OHM,J,1/10W	1	
R6902-04	ERJ3GEYJ220	M 22 OHM,J,1/16W	3	
R6905	ERJ6GEYJ221	M 220 OHM,J,1/10W	1	
R6909	ERJ6GEYJ221	M 220 OHM,J,1/10W	1	

Ref. No.	Part No.	Part Name & Description	Pcs	Remarks
R6913	ERJ6GEYJ221	M 220 OHM,J,1/10W	1	
R6917	ERJ6GEYJ221	M 220 OHM,J,1/10W	1	
R6924	ERJ6GEYJ221	M 220 OHM,J,1/10W	1	
R6931-34	ERJ6GEYJ103	M 10KOHM,J,1/10W	4	
R6935,36	ERJ8GEYJ224	M 220KOHM, J,1/8W	2	
R6951	ERJ6GEYJ101	M 100 OHM,J,1/10W	1	
R6952-54	ERJ3GEYJ220	M 22 OHM,J,1/16W	3	
R6955	ERJ6GEYJ221	M 220 OHM,J,1/10W	1	
R6959	ERJ6GEYJ221	M 220 OHM,J,1/10W	1	
R6963	ERJ6GEYJ221	M 220 OHM,J,1/10W	1	
R6967	ERJ6GEYJ221	M 220 OHM,J,1/10W	1	
R6971	ERJ6GEYJ221	M 220 OHM,J,1/10W	1	
R6981-84	ERJ6GEYJ103	M 10KOHM,J,1/10W	4	
R6985,86	ERJ8GEYJ224	M 220KOHM, J,1/8W	2	
R7112	ERJ6GEYJ102	M 1KOHM,J,1/10W	1	
R7113,14	ERJ3GEYJ220	M 22 OHM,J,1/16W	2	
R7115	ERJ3GEYJ223	M 22KOHM,J,1/16W	1	
R7116	ERJ3GEYJ104	M 100KOHM,J,1/16W	1	
R7118,19	ERJ3GEYJ220	M 22 OHM,J,1/16W	2	
R7120	ERJ3GEYJ470	M 47 OHM,J,1/16W	1	
R7122-25	ERJ12YJ6R8U	M 6.8 OHM, J,1/2W	4	
R7126	ERJ6GEYJ224	M 220KOHM,J,1/10W	1	
R7127,28	ERJ3GEYJ470	M 47 OHM,J,1/16W	2	
R7132-37	EXB38V470J	RESISTOR ARRAY	6	
R7139,40	ERJ3GEYJ470	M 47 OHM,J,1/16W	2	
R7142-45	ERJ12YJ6R8U	M 6.8 OHM, J,1/2W	4	
R7146	ERJ3GEYJ470	M 47 OHM,J,1/16W	1	
R7149	ERJ3GEYJ470	M 47 OHM,J,1/16W	1	
R7151-54	ERJ12YJ6R8U	M 6.8 OHM, J,1/2W	4	
R7155	EXB38V102J	RESISTOR ARRAY	1	
R7156	ERJ3GEYJ470	M 47 OHM,J,1/16W	1	
R7158,59	EXB38V470J	RESISTOR ARRAY	2	
R7162-67	EXB38V102J	RESISTOR ARRAY	6	
R7169	ERJ3GEYJ470	M 47 OHM,J,1/16W	1	
R7171-74	ERJ12YJ6R8U	M 6.8 OHM, J,1/2W	4	
R7175	ERJ3GEYJ470	M 47 OHM,J,1/16W	1	
R7177	EXB38V102J	RESISTOR ARRAY	1	
R7179,80	ERJ3GEY0R00	M 0 OHM, 1/16W	2	
R7186,87	EXB38V470J	RESISTOR ARRAY	2	
R7201-07	EXB38V470J	RESISTOR ARRAY	7	
R7208-10	ERJ3GEYJ470	M 47 OHM,J,1/16W	3	
R7212-15	ERJ12YJ6R8U	M 6.8 OHM, J,1/2W	4	
R7216	EXB38V470J	RESISTOR ARRAY	1	
R7217	ERJ3GEYJ470	M 47 OHM,J,1/16W	1	
R7219	ERJ6GEYJ224	M 220KOHM,J,1/10W	1	
R7221	ERJ3GEYJ470	M 47 OHM,J,1/16W	1	
R7223-26	ERJ12YJ6R8U	M 6.8 OHM, J,1/2W	4	
R7227	ERJ3GEYJ470	M 47 OHM,J,1/16W	1	
R7229	ERJ6GEY0R00	M 0 OHM, 1/10W	1	
R7231	ERJ3GEYJ470	M 47 OHM,J,1/16W	1	
R7232-35	ERJ12YJ6R8U	M 6.8 OHM, J,1/2W	4	
R7236	ERJ3GEYJ470	M 47 OHM,J,1/16W	1	
R7237-42	EXB38V102J	RESISTOR ARRAY	6	
R7245	EXB38V102J	RESISTOR ARRAY	1	

Ref. No.	Part No.	Part Name & Description	Pcs	Remarks
R7246-49	ERJ3GEYJ220	M 22 OHM,J,1/16W	4	
R7250,51	EXB38V470J	RESISTOR ARRAY	2	
R7256,57	ERJ3GEY0R00	M 0 OHM, 1/16W	2	
R7258	EXB38V102J	RESISTOR ARRAY	1	
R7260	ERJ3GEYJ470	M 47 OHM,J,1/16W	1	
R7262-65	ERJ12YJ6R8U	M 6.8 OHM, J,1/2W	4	
R7266	ERJ3GEYJ470	M 47 OHM,J,1/16W	1	
R7269	ERJ6GEYJ102	M 1KOHM,J,1/10W	1	
R7270	ERJ3GEYJ223	M 22KOHM,J,1/16W	1	
R7271	ERJ3GEYJ104	M 100KOHM,J,1/16W	1	
R8001	ERJ2GEJ103	M 10KOHM, J,0.063W	1	
R8002	ERJ2GEJ272	M 2.7KOHM, J,0.063W	1	
R8003,04	ERJ2GEJ181	M 180 OHM, J,0.063W	2	
R8006	ERJ8GEY0R00	M 0 OHM, 1/8W	1	
R8008	ERJ2GEJ102	M 1KOHM, J,0.063W	1	
R8010-12	ERJ2GEJ103	M 10KOHM, J,0.063W	3	
R8014,15	ERJ2GEJ103	M 10KOHM, J,0.063W	2	
R8017,18	ERJ3GEY0R00	M 0 OHM, 1/16W	2	
R8020-22	ERJ2GEJ103	M 10KOHM, J,0.063W	3	
R8027	D1HG5608A002	NETWORK RESISTER	1	
R8028-30	ERJ2GEJ560	M 56 OHM, J,0.063W	3	
R8033	ERJ2GEJ472	M 4.7KOHM, J,0.063W	1	
R8034,35	ERJ3GEY0R00	M 0 OHM, 1/16W	2	
R8036	ERJ3GEYJ163	M 16KOHM,J,1/16W	1	
R8038	ERJ2GEJ560	M 56 OHM, J,0.063W	1	
R8039,40	ERJ2GEJ472	M 4.7KOHM, J,0.063W	2	
R8041	ERJ2GEJ154	M 150KOHM, J,0.063W	1	
R8046	ERJ2GEJ330	M 33 OHM, J,0.063W	1	
R8047-50	ERJ2GEJ101	M 100 OHM, J,0.063W	4	
R8051	EXB38V330J	RESISTOR ARRAY	1	
R8052-55	ERJ2GEJ103	M 10KOHM, J,0.063W	4	
R8056	ERJ2GEJ330	M 33 OHM, J,0.063W	1	
R8057	ERJ2GEJ680	M 68 OHM, J,0.063W	1	
R8058	EXB38V330J	RESISTOR ARRAY	1	
R8059	ERJ2GEJ103	M 10KOHM, J,0.063W	1	
R8073	ERJ2GEJ105	M 1MOHM, J,0.063W	1	
R8074,75	ERJ2GEJ181	M 180 OHM, J,0.063W	2	
R8076	ERJ2GEJ103	M 10KOHM, J,0.063W	1	
R8078	ERJ2GEJ562	M 5.6KOHM,J,0.063W	1	
R8079	ERJ2GEJ473	M 47KOHM,J,0.063W	1	
R8084,85	D1HG1218A002	NETWORK RESISTER	2	
R8086-88	ERJ2GEJ560	M 56 OHM, J,0.063W	3	
R8101	ERJ3GEYF181	M 180 OHM,J,1/16W	1	PAVCCZ
R8104	ERJ2GEJ560	M 56 OHM, J,0.063W	1	
R8106,07	ERJ2GEJ103	M 10KOHM, J,0.063W	2	
R8108	ERJ3EKF1002	M 10KOHM, 1/16W	1	
R8109	ERJ3EKF2202	M 22KOHM, 1/16W	1	
R8110	ERJ3EKF1501	M 1.5KOHM, 1/16W	1	
R8111	ERJ2GE0R00	M 0.0 OHM, J,0.063W	1	
R8112,13	ERJ3GEY0R00	M 0 OHM, 1/16W	2	
R8115	ERJ3GEYF272	M 2.7KOHM, 1/16W	1	
R8117	ERJ6GEYJ471	M 470 OHM,J,1/10W	1	
R8123	ERJ3GEY0R00	M 0 OHM, 1/16W	1	
R8124	ERJ2GEJ471	M 470 OHM, J,0.063W	1	

Ref. No.	Part No.	Part Name & Description	Pcs	Remarks
R8127	ERJ2GE0R00	M 0.0 OHM, J,0.063W	1	
R8132,33	ERJ2GEJ560	M 56 OHM, J,0.063W	2	
R8136	ERJ2GEJ103	M 10KOHM, J,0.063W	1	
R8137	ERJ2GEJ121	M 120 OHM, J,0.063W	1	
R8140,41	ERJ3EKF1001	M 1KOHM, 1/16W	2	
R8144,45	D1HG5608A002	NETWORK RESISTER	2	
R8148,49	D1HG3908A002	NETWORK RESISTER	2	
R8150-59	ERJ2GEJ390	M 39 OHM, J,0.063W	10	
R8161,62	ERJ2GEJ390	M 39 OHM, J,0.063W	2	
R8163	ERJ2GEJ560	M 56 OHM, J,0.063W	1	
R8165	ERJ2GEJ560	M 56 OHM, J,0.063W	1	
R8167-71	ERJ2GEJ103	M 10KOHM, J,0.063W	5	
R8172	ERJ2GEJ473	M 47KOHM,J,0.063W	1	
R8173	EXB38V560J	RESISTOR ARRAY	1	
R8175,76	ERJ2GEJ103	M 10KOHM, J,0.063W	2	
R8183	ERJ2GE0R00	M 0.0 OHM, J,0.063W	1	
R8184	ERJ2GEJ223	M 22KOHM, J,0.063W	1	
R8187	ERJ2GEJ103	M 10KOHM, J,0.063W	1	
R8188	ERJ3GEY0R00	M 0 OHM, 1/16W	1	
R8193	ERJ2GEJ103	M 10KOHM, J,0.063W	1	
R8195,96	ERJ2GEJ103	M 10KOHM, J,0.063W	2	
R8201-04	ERJ2GEJ103	M 10KOHM, J,0.063W	4	
R8215	ERJ2GEJ103	M 10KOHM, J,0.063W	1	
R8216,17	ERJ2GEJ560	M 56 OHM, J,0.063W	2	
R8218,19	D1HG33080001	NETWORK RESISTER	2	
R8220-22	D1HG5608A002	NETWORK RESISTER	3	
R8223	ERJ2GEJ560	M 56 OHM, J,0.063W	1	
R8224,25	ERJ2GEJ103	M 10KOHM, J,0.063W	2	
R8226	ERJ2GEJ330	M 33 OHM, J,0.063W	1	
R8232-43	ERJ2GEJ330	M 33 OHM, J,0.063W	12	
R8244	ERJ2GEJ103	M 10KOHM, J,0.063W	1	
R8245,46	ERJ2GEJ330	M 33 OHM, J,0.063W	2	
R8250	ERJ2GEJ103	M 10KOHM, J,0.063W	1	
R8252-54	ERJ2GEJ330	M 33 OHM, J,0.063W	3	
R8255	ERJ2GEJ103	M 10KOHM, J,0.063W	1	
R8256	ERJ2GEJ472	M 4.7KOHM, J,0.063W	1	
R8257	ERJ2GEJ103	M 10KOHM, J,0.063W	1	
R8259	ERJ2GEJ103	M 10KOHM, J,0.063W	1	
R8260-63	ERJ2GEJ560	M 56 OHM, J,0.063W	4	
R8264-68	ERJ2GEJ103	M 10KOHM, J,0.063W	5	
R8269	ERJ2GEJ560	M 56 OHM, J,0.063W	1	
R8271	ERJ2GEJ560	M 56 OHM, J,0.063W	1	
R8272	EXB38V560J	RESISTOR ARRAY	1	
R8273	ERJ2GEJ560	M 56 OHM, J,0.063W	1	
R8275	ERJ2GEJ560	M 56 OHM, J,0.063W	1	
R8277	ERJ2GEJ560	M 56 OHM, J,0.063W	1	
R8279	ERJ2GE0R00	M 0.0 OHM, J,0.063W	1	
R8282	ERJ2GEJ560	M 56 OHM, J,0.063W	1	
R8284	ERJ2GEJ560	M 56 OHM, J,0.063W	1	
R8286,87	ERJ2GEJ560	M 56 OHM, J,0.063W	2	
R8290	EXB38V560J	RESISTOR ARRAY	1	
R8291,92	ERJ2GEJ560	M 56 OHM, J,0.063W	2	

Ref. No.	Part No.	Part Name & Description	Pcs	Remarks
R8310-15	ERJ3EKF75R0	M 0.75HM, 1/16W	6	
R8319	ERJ3EKF2702V	M27.0KOHM, 1/16W	1	
R8320	ERJ3EKF1002	M 10KOHM, 1/16W	1	
R8321	ERJ3EKF8201	M 8.2KOHM, 1/16W	1	
R8349	ERJ2GEJ104	M 100KOHM, J,0.063W	1	
R8350	ERJ3EKF8201	M 8.2KOHM, 1/16W	1	
R8351	ERJ3EKF1002	M 10KOHM, 1/16W	1	
R8352	ERJ3EKF2702V	M27.0KOHM, 1/16W	1	
R8353	ERJ2GEJ332	M 3.3KOHM, J,0.063W	1	
R8354	ERJ2GEJ272	M 2.7KOHM, J,0.063W	1	
R8355,56	EXB2HV104JV	RESISTOR ARRAY	2	
R8357,58	ERJ2GEJ473	M 47KOHM,J,0.063W	2	
R8366	ERJ2GEJ103	M 10KOHM, J,0.063W	1	
R8367,68	ERJ2GEJ560	M 56 OHM, J,0.063W	2	
R8372-76	ERJ2GEJ560	M 56 OHM, J,0.063W	5	
R8401	ERJ8GEY0R00	M 0 OHM, 1/8W	1	
R8402	ERJ6GEY0R00	M 0 OHM, 1/10W	1	
R8403	ERJ2GE0R00	M 0.0 OHM, J,0.063W	1	
R8404,05	ERJ2GEJ103	M 10KOHM, J,0.063W	2	
R8406	ERJ8RSJR10	M 1 OHM, 1/8W	1	
R8407	ERJ2GEJ333	M 33KOHM, J,0.063W	1	
R8414	ERJ2GE0R00	M 0.0 OHM, J,0.063W	1	
R8415,16	ERJ2GEJ223	M 22KOHM, J,0.063W	2	
R8417,18	EXB38V473J	RESISTOR ARRAY	2	
R8419,20	EXB38V101J	RESISTOR ARRAY	2	
R8421	ERJ2GEJ223	M 22KOHM, J,0.063W	1	
R8422	ERJ2GEJ104	M 100KOHM, J,0.063W	1	
R8423	ERJ2GEJ821	M 820 OHM, J,0.063W	1	
R8425,26	EXB38V101J	RESISTOR ARRAY	2	
R8427-31	ERJ2GEJ560	M 56 OHM, J,0.063W	5	
R8433,34	EXB38V560J	RESISTOR ARRAY	2	
R8443	EXB38V560J	RESISTOR ARRAY	1	
R8444	ERJ2GEJ101	M 100 OHM, J,0.063W	1	
R8445,46	ERJ2GEJ151	M 150 OHM, J,0.063W	2	
R8447	ERJ2GEJ223	M 22KOHM, J,0.063W	1	
R8448	ERJ2GEJ473	M 47KOHM,J,0.063W	1	
R8449,50	ERJ2GEJ103	M 10KOHM, J,0.063W	2	
R8451	EXB38V104J	RESISTOR ARRAY	1	
R8452	ERJ2GEJ104	M 100KOHM, J,0.063W	1	
R8453	EXB38V104J	RESISTOR ARRAY	1	
R8454	ERJ2GEJ104	M 100KOHM, J,0.063W	1	
R8456-59	EXB38V560J	RESISTOR ARRAY	4	
R8460	ERJ2GEJ104	M 100KOHM, J,0.063W	1	
R8461	ERJ2GEJ560	M 56 OHM, J,0.063W	1	
R8462,63	ERJ2GE0R00	M 0.0 OHM, J,0.063W	2	
R8464	ERJ2GEJ560	M 56 OHM, J,0.063W	1	
R8465	ERJ2GEJ103	M 10KOHM, J,0.063W	1	
R8466	EXB38V560J	RESISTOR ARRAY	1	
R8467,68	ERJ2GEJ560	M 56 OHM, J,0.063W	2	
R8469	EXB38V151J	RESISTOR ARRAY	1	

Ref. No.	Part No.	Part Name & Description	Pcs	Remarks
R8474	ERJ2GE0R00	M 0.0 OHM, J,0.063W	1	
R8475,76	ERJ2GEJ103	M 10KOHM, J,0.063W	2	
R8477,78	ERJ2GEJ560	M 56 OHM, J,0.063W	2	
R8479	ERJ2GEJ203	M 20KOHM,J,0.063W	1	
R8480-82	ERJ2GEJ560	M 56 OHM, J,0.063W	3	
R8483	ERJ2GEJ203	M 20KOHM,J,0.063W	1	
R8484	ERJ2GEJ223	M 22KOHM, J,0.063W	1	
R8485	ERJ2GEJ333	M 33KOHM, J,0.063W	1	
R8486	ERJ2GEJ223	M 22KOHM, J,0.063W	1	
R8487	ERJ2GEJ560	M 56 OHM, J,0.063W	1	
R8488	ERJ2GE0R00	M 0.0 OHM, J,0.063W	1	
R8489	ERJ2GEJ102	M 1KOHM, J,0.063W	1	
R8491	ERJ3EKF9102	M91.0KOHM, 1/16W	1	
R8492	ERJ3EKF1802	M 18KOHM, 1/16W	1	
R8493	ERJ3EKF9102	M91.0KOHM, 1/16W	1	
R8494	ERJ3EKF9101	M 9.1KOHM, 1/16W	1	
R8495	EXB38V151J	RESISTOR ARRAY	1	
R8496	EXB38V560J	RESISTOR ARRAY	1	
R8497	ERJ3EKF3300	M 330 OHM, 1/16W	1	
R8498	ERJ3EKF2200	M 220 OHM, 1/16W	1	
R8499	ERJ3EKF2432	M24.3KOHM, 1/16W	1	
R8500	ERJ3EKF1052	M10.5KOHM, 1/16W	1	
R8501	ERJ3EKF5601	M 5.6KOHM, 1/16W	1	
R8502	ERJ3EKF2402	M 24KOHM, 1/16W	1	
R8503,04	ERJ2GEJ103	M 10KOHM, J,0.063W	2	
R8505	ERJ2GEJ101	M 100 OHM, J,0.063W	1	
R8538,39	ERJ2GEJ101	M 100 OHM, J,0.063W	2	
R8546	ERJ2GEJ333	M 33KOHM, J,0.063W	1	
R8547	ERJ2GEJ102	M 1KOHM, J,0.063W	1	
R8601	ERJ3GEY0R00	M 0 OHM, 1/16W	1	
R8602-04	ERJ2GEJ101	M 100 OHM, J,0.063W	3	
R8605,06	ERJ2GEJ104	M 100KOHM, J,0.063W	2	
R8608	ERJ2GEJ105	M 1MOHM, J,0.063W	1	
R8610	ERJ2GEJ332	M 3.3KOHM, J,0.063W	1	
R8611	ERJ6GEY0R00	M 0 OHM, 1/10W	1	
R8614	ERJ2GEJ221	M 220 OHM, J,0.063W	1	
R8615	ERJ2GE0R00	M 0.0 OHM, J,0.063W	1	
R8701-08	ERJ2GEJ560	M 56 OHM, J,0.063W	8	
R8729-36	ERJ2GEJ103	M 10KOHM, J,0.063W	8	
R8827,28	ERJ2GEJ392	M 3.9KOHM, J,0.063W	2	
R8831,32	ERJ2GE0R00	M 0.0 OHM, J,0.063W	2	
R8862-64	ERJ2GE0R00	M 0.0 OHM, J,0.063W	3	
R8899,00	ERJ2GE0R00	M 0.0 OHM, J,0.063W	2	
R8912	ERJ2GE0R00	M 0.0 OHM, J,0.063W	1	
R8927	ERJ2GE0R00	M 0.0 OHM, J,0.063W	1	
R8930	ERJ2GE0R00	M 0.0 OHM, J,0.063W	1	
R8931,32	ERJ2GEJ392	M 3.9KOHM, J,0.063W	2	
R8933,34	ERJ2GE0R00	M 0.0 OHM, J,0.063W	2	
R8936	ERJ2GEJ103	M 10KOHM, J,0.063W	1	
R8954	ERJ2GEJ103	M 10KOHM, J,0.063W	1	
R8960	ERJ2GE0R00	M 0.0 OHM, J,0.063W	1	
R8962-64	ERJ2GEJ101	M 100 OHM, J,0.063W	3	

Ref. No.	Part No.	Part Name & Description	Pcs	Remarks
R8967,68	EXB2HV473JV	RESISTOR ARRAY	2	PAVCCZ
R8969-71	ERJ2GEJ473	M 47KOHM,J,0.063W	3	
R9060-67	ERJ3GEYJ101	M 100 OHM,J,1/16W	8	
R9070	ERJ3GEYJ470	M 47 OHM,J,1/16W	1	
R9074	ERJ3GEYJ101	M 100 OHM,J,1/16W	1	
R9076	ERJ3GEYJ101	M 100 OHM,J,1/16W	1	
R9096	ERJ3GEYJ103	M 10KOHM,J,1/16W	1	
R9098	ERJ3GEYJ103	M 10KOHM,J,1/16W	1	
R9099	ERJ3GEYJ101	M 100 OHM,J,1/16W	1	
R9100,01	ERJ3GEYJ103	M 10KOHM,J,1/16W	2	
R9102	ERJ3GEYJ101	M 100 OHM,J,1/16W	1	
R9105	ERJ3GEYJ472	M 4.7KOHM,J,1/16W	1	
R9106	ERJ3GEYJ103	M 10KOHM,J,1/16W	1	
R9107	ERJ3GEYJ332	M 3.3KOHM,J,1/16W	1	
R9108,09	ERJ3GEYJ103	M 10KOHM,J,1/16W	2	
R9110	ERJ3GEYJ101	M 100 OHM,J,1/16W	1	
R9111	ERJ3GEYJ223	M 22KOHM,J,1/16W	1	
R9113	ERJ3GEYJ100	M 10 OHM,J,1/16W	1	
R9120	ERJ3GEYJ101	M 100 OHM,J,1/16W	1	
R9121	ERJ3GEYJ104	M 100KOHM,J,1/16W	1	
R9127	ERJ3GEYJ683	M 68KOHM,J,1/16W	1	
R9129	ERJ3GEYJ683	M 68KOHM,J,1/16W	1	
R9131-33	ERJ3GEYJ472	M 4.7KOHM,J,1/16W	3	
R9134	ERJ3GEYJ333	M 33KOHM,J,1/16W	1	
R9140	ERJ6GEY0R00	M 0 OHM, 1/10W	1	
R9141-45	ERJ3GEYJ101	M 100 OHM,J,1/16W	5	
R9148	ERJ3GEYJ103	M 10KOHM,J,1/16W	1	
R9149	ERJ3GEYJ472	M 4.7KOHM,J,1/16W	1	
R9150,51	ERJ3GEYJ220	M 22 OHM,J,1/16W	2	
R9152,53	ERJ3GEYJ472	M 4.7KOHM,J,1/16W	2	
R9154,55	ERJ3GEYJ562	M 5.6KOHM,J,1/16W	2	
R9156-59	ERJ3GEYJ103	M 10KOHM,J,1/16W	4	
R9160,61	ERJ3GEY0R00	M 0 OHM, 1/16W	2	
R9164-66	ERJ3GEYJ103	M 10KOHM,J,1/16W	3	
R9167,68	ERJ3GEYJ101	M 100 OHM,J,1/16W	2	
R9169	ERJ3GEYJ103	M 10KOHM,J,1/16W	1	
R9170-72	ERJ3GEYJ393	M 39KOHM,J,1/16W	3	
R9173-75	ERJ3GEYJ103	M 10KOHM,J,1/16W	3	
R9177	ERJ3GEYJ223	M 22KOHM,J,1/16W	1	
R9178	ERJ3GEYJ103	M 10KOHM,J,1/16W	1	
R9179	ERJ3GEYJ102	M 1KOHM,J,1/16W	1	
R9180	ERJ3GEYJ103	M 10KOHM,J,1/16W	1	
R9181-84	ERJ3GEYJ102	M 1KOHM,J,1/16W	4	
R9185,86	ERJ3GEYJ220	M 22 OHM,J,1/16W	2	
R9187,88	ERJ3GEYJ562	M 5.6KOHM,J,1/16W	2	
R9189,90	ERJ3GEYJ103	M 10KOHM,J,1/16W	2	
R9192	ERJ3GEY0R00	M 0 OHM, 1/16W	1	
R9193	ERJ3GEYJ103	M 10KOHM,J,1/16W	1	
R9194	ERJ3GEY0R00	M 0 OHM, 1/16W	1	
R9196	ERJ3GEYJ103	M 10KOHM,J,1/16W	1	
R9199	ERJ3GEYJ272	M 2.7KOHM,J,1/16W	1	
R9203	ERJ3GEYJ102	M 1KOHM,J,1/16W	1	
R9205	ERJ3GEYJ472	M 4.7KOHM,J,1/16W	1	
R9206,07	ERJ3GEYJ102	M 1KOHM,J,1/16W	2	
R9215	ERJ3GEYJ123	M 12KOHM,J,1/16W	1	

Ref. No.	Part No.	Part Name & Description	Pcs	Remarks
R9217-22	ERJ3GEYJ103	M 10KOHM,J,1/16W	6	
R9223	ERJ3GEYJ472	M 4.7KOHM,J,1/16W	1	
R9225	ERJ3GEYJ472	M 4.7KOHM,J,1/16W	1	
R9230	ERJ3GEY0R00	M 0 OHM, 1/16W	1	
R9232	ERJ3GEY0R00	M 0 OHM, 1/16W	1	
R9236	ERJ3GEY0R00	M 0 OHM, 1/16W	1	
R9237	ERJ3GEYJ103	M 10KOHM,J,1/16W	1	
R9240	ERJ3GEY0R00	M 0 OHM, 1/16W	1	
R9317	ERJ3GEYJ391	M 390 OHM,J,1/16W	1	
R9348	D1HG8208A002	NETWORK RESISTER	1	
R9349	EXB38V820J	RESISTOR ARRAY	1	
R9350,51	ERJ3GEYJ220	M 22 OHM,J,1/16W	2	
R9352	EXB38V820J	RESISTOR ARRAY	1	
R9353,54	D1HG8208A002	NETWORK RESISTER	2	
R9355,56	ERJ3GEYJ472	M 4.7KOHM,J,1/16W	2	
R9357-59	D1HG8208A002	NETWORK RESISTER	3	
R9360	EXB38V820J	RESISTOR ARRAY	1	
R9361,62	ERJ3GEYJ220	M 22 OHM,J,1/16W	2	
R9363	EXB2HV470JV	RESISTOR ARRAY	1	
R9366	ERJ3GEYJ472	M 4.7KOHM,J,1/16W	1	
R9367	ERJ3GEYJ103	M 10KOHM,J,1/16W	1	
R9368	ERJ3GEYJ104	M 100KOHM,J,1/16W	1	
R9369	ERJ3GEYJ472	M 4.7KOHM,J,1/16W	1	
R9370	ERJ3GEYJ103	M 10KOHM,J,1/16W	1	
R9371	ERJ3GEYJ104	M 100KOHM,J,1/16W	1	
R9379	ERJ3GEY0R00	M 0 OHM, 1/16W	1	
R9380	ERJ3GEYJ560	M 56 OHM,J,1/16W	1	
R9382	ERJ3GEYJ103	M 10KOHM,J,1/16W	1	
R9390	ERJ3GEYJ101	M 100 OHM,J,1/16W	1	
R9391	ERJ3GEYJ104	M 100KOHM,J,1/16W	1	
R9394	ERJ3GEY0R00	M 0 OHM, 1/16W	1	
R9395	ERJ3GEYJ220	M 22 OHM,J,1/16W	1	
R9501	ERJ3GEYJ103	M 10KOHM,J,1/16W	1	
R9503	ERJ3GEYJ470	M 47 OHM,J,1/16W	1	
R9506	ERJ3GEYJ220	M 22 OHM,J,1/16W	1	
R9507	ERJ3GEY0R00	M 0 OHM, 1/16W	1	
R9511-13	ERJ3GEYJ470	M 47 OHM,J,1/16W	3	
R9514	ERJ3GEYJ103	M 10KOHM,J,1/16W	1	
R9516	ERJ3GEYJ103	M 10KOHM,J,1/16W	1	
R9518	ERJ3GEYJ561	M 560 OHM,J,1/16W	1	
R9523	ERJ3GEYJ103	M 10KOHM,J,1/16W	1	
R9525	ERJ3GEYJ103	M 10KOHM,J,1/16W	1	
R9526	ERJ3GEY0R00	M 0 OHM, 1/16W	1	
R9527,28	EXB2HV272JV	RESISTOR ARRAY	2	
R9529,30	ERJ3GEYJ103	M 10KOHM,J,1/16W	2	
R9531-33	ERJ3GEYJ470	M 47 OHM,J,1/16W	3	
R9534	EXB38V470J	RESISTOR ARRAY	1	
R9535,36	ERJ3GEYJ470	M 47 OHM,J,1/16W	2	
R9537	ERJ3GEYJ103	M 10KOHM,J,1/16W	1	
R9539	ERJ3GEYJ103	M 10KOHM,J,1/16W	1	
R9543,44	ERJ3GEYJ103	M 10KOHM,J,1/16W	2	
R9545	ERJ3GEYJ304V	M 300KOHM,J,1/16W	1	
R9548-50	ERJ3GEYJ103	M 10KOHM,J,1/16W	3	
R9552	ERJ3GEYJ103	M 10KOHM,J,1/16W	1	
R9555	ERJ3GEY0R00	M 0 OHM, 1/16W	1	
R9800	ERJ3EKF1302	M 23KOHM, 1/16W	1	
R9801	ERJ3EKF2402	M 24KOHM, 1/16W	1	
R9802	ERJ3EKF6202	M 62KOHM, 1/16W	1	
R9803	ERJ3GEY0R00	M 0 OHM, 1/16W	1	
R9804	ERJ3EKF2402	M 24KOHM, 1/16W	1	
R9805	ERJ3EKF3002	M 30KOHM, 1/16W	1	
R9806	ERJ3EKF3902	M 39KOHM, 1/16W	1	
R9807	ERJ3GEY0R00	M 0 OHM, 1/16W	1	

Ref. No.	Part No.	Part Name & Description	Pcs	Remarks
R9808	ERJ3GEYJ104	M 100KOHM,J,1/16W	1	
R9810	ERJ3EKF3001	M 3KOHM, 1/16W	1	
R9813	ERJ3EKF2401	M 2.4KOHM, 1/16W	1	
R9814	ERJ3EKF6802	M 68KOHM, 1/16W	1	
R9815	ERJ3EKF2202	M 22KOHM, 1/16W	1	
R9816	ERJ3EKF8202	M 82KOHM, 1/16W	1	
R9821	ERJ3GEYJ103	M 10KOHM,J,1/16W	1	
R9823-27	ERJ3GEYJ101	M 100 OHM,J,1/16W	5	
R9828	ERJ3GEYJ104	M 100KOHM,J,1/16W	1	
R9830,31	ERJ3GEYJ103	M 10KOHM,J,1/16W	2	
R9838,39	ERJ3GEYJ101	M 100 OHM,J,1/16W	2	
R9840	ERJ3GEYJ220	M 22 OHM,J,1/16W	1	
R9841	ERJ3GEY0R00	M 0 OHM, 1/16W	1	
R9842-44	ERJ3GEYJ101	M 100 OHM,J,1/16W	3	
R9845	ERJ3GEYJ562	M 5.6KOHM,J,1/16W	1	
R9846,47	EXB2HV272JV	RESISTOR ARRAY	2	
R9848,49	EXB2HV470JV	RESISTOR ARRAY	2	
R9850	ERJ3GEYJ473	M 47KOHM,J,1/16W	1	
R9854	ERJ3GEYJ101	M 100 OHM,J,1/16W	1	
R9859	EXB38V101J	RESISTOR ARRAY	1	
R9861-63	ERJ3GEYJ103	M 10KOHM,J,1/16W	3	
R9868	ERJ3GEYJ104	M 100KOHM,J,1/16W	1	
R9869-71	ERJ3GEYJ103	M 10KOHM,J,1/16W	3	
R9872	ERJ3GEY0R00	M 0 OHM, 1/16W	1	
R9878	ERJ3EKF3902	M 39KOHM, 1/16W	1	
R9879	ERJ3EKF2002	M 20KOHM, 1/16W	1	
R9880	ERJ3EKF3602	M 36KOHM, 1/16W	1	
R9883	ERJ3GEY0R00	M 0 OHM, 1/16W	1	
R9884	ERJ3GEYJ104	M 100KOHM,J,1/16W	1	
R9891	ERJ3EKF4702	M 47KOHM, 1/16W	1	
R9892	ERJ3EKF1502	M 15KOHM, 1/16W	1	
R9893	ERJ3EKF3602	M 36KOHM, 1/16W	1	
R9896	ERJ3GEY0R00	M 0 OHM, 1/16W	1	
R9897	ERJ3GEYJ104	M 100KOHM,J,1/16W	1	
R9903	EXB2HV470JV	RESISTOR ARRAY	1	
R9904	ERJ3GEYJ470	M 47 OHM,J,1/16W	1	
R9905	ERJ3GEYJ330	M 33 OHM,J,1/16W	1	
R9906	EXB38V470J	RESISTOR ARRAY	1	
R9907	ERJ3GEYJ151	M 150 OHM,J,1/16W	1	
R9917,18	ERJ3GEY0R00	M 0 OHM, 1/16W	2	
R9919,20	ERJ3GEYJ103	M 10KOHM,J,1/16W	2	
R9922	ERJ3GEY0R00	M 0 OHM, 1/16W	1	
R9929	ERJ3GEY0R00	M 0 OHM, 1/16W	1	
R9936-39	ERJ3EKF1001	M 1KOHM, 1/16W	4	
R9940	ERJ3GEYJ330	M 33 OHM,J,1/16W	1	
R9941,42	ERJ3GEYJ470	M 47 OHM,J,1/16W	2	
R9943-51	EXB38V470J	RESISTOR ARRAY	9	
R9952-55	ERJ3GEYJ470	M 47 OHM,J,1/16W	4	
R9956	ERJ3GEYJ103	M 10KOHM,J,1/16W	1	
RM2501	PNA4701M05TV	REMOCO RECEIVER	1	
RTL	TNPA3740AG	CIRCUIT BOARD XV	1	PAVCCZ △
RTL	TNPA3756CE	CIRCUIT BOARD DG	1	PAVCCZ △
RTL	TNPA3759AB	CIRCUIT BOARD H	1	PAVCCZ △
RTL	TNPA3766	CIRCUIT BOARD HC	1	PAVCCZ △
RTL	TNPA3767AC	CIRCUIT BOARD TA	1	PAVCCZ △
RTL	TNPA3761AC	CIRCUIT BOARD PA	1	△
RTL	TNPA3812AB	CIRCUIT BOARD C1	1	PAVCCZ △
RTL	TNPA3813AB	CIRCUIT BOARD C2	1	PAVCCZ △
RTL	TZTNP01BJTB	CIRCUIT BOARD D	1	△
RTL	TNPA3911	CIRCUIT BOARD P	1	△

Ref. No.	Part No.	Part Name & Description	Pcs	Remarks
RTL	TNPA3814AB	CIRCUIT BOARD SC	1	PAVCCZ △
RTL	TNPA3819AB	CIRCUIT BOARD SD	1	PAVCCZ △
RTL	TNPA3815AB	CIRCUIT BOARD SS	1	PAVCCZ △
RTL	TNPA3818AB	CIRCUIT BOARD SU	1	PAVCCZ △
RTL	TNPA3764AE	CIRCUIT BOARD G	1	PAVCCZ △
RTL	TNPA3848AD	CIRCUIT BOARD GK	1	△
RTL	TNPA3762AD	CIRCUIT BOARD K	1	PAVCCZ △
RTL	TNPA3763AC	CIRCUIT BOARD S	1	△
S1	K1KA03BA0061	3P CONNECTOR	1	
SC2	K1KA02A00626	2P CONNECTOR	1	
SC20	K1KA20AA0008	20P CONNECTOR	1	
SC23	K1KA03AA0193	3P CONNECTOR	1	
SC30	K1KA08AA0192	8P CONNECTOR	1	
SC41,42	K1ML80B00001	80P CONNECTOR	2	
SC45,46	K1KA09A00239	9P CONNECTOR	2	
SCMM1	TMME260	CLAMPER	1	
SCMM3	TMME260	CLAMPER	1	
SD1-D4	K1MN96B00005	96P CONNECTOR	4	
SD46	K1KB09A00045	9P CONNECTOR	1	
SS11	K1KA02A00626	2P CONNECTOR	1	
SS12	K1KA10AA0194	10P CONNECTOR	1	
SS23	K1KA12AA0194	12P CONNECTOR	1	
SS34	K1KA03AA0193	3P CONNECTOR	1	
SS41-44	K1MN13B00020	13P CONNECTOR	4	
SU1-U4	K1MN96B00005	96P CONNECTOR	4	
SU45	K1KB09A00045	9P CONNECTOR	1	
SW2500	K0F162B00002	SWITCH	1	
SW3753-57	EVQ11G05R	SWITCH	5	
T6602	ETS25AZ139AD	SWITCHING TRANS	1	
TA5	K1KB15B00013	15P CONNECTOR	1	
TA6	K1KB09B00019	9P CONNECTOR	1	
TU001	ENG7302GF	TUNER	1	PAVCCZ △
TU8001	ENV57M01D8F	TUNER	1	PAVCCZ △
VR6000	EVMEASA00B14	CONTROL 10KOHMB 0.3W	1	
VR6600	EVMEASA00B13	CONTROL 1KOHMB 0.3W	1	
VR6602	EVMEASA00B53	CONTROL 5KOHMB 0.3W	1	
X1100	H0J100500030	CRYSTAL	1	
X1101	H0J327200114	CRYSTAL	1	
X2101	H0J184500027	CRYSTAL	1	
X4004	H0J270500087	CRYSTAL	1	
X8003	H0J241500003	CRYSTAL	1	PAVCCZ
X8006	H0J270500090	CRYSTAL	1	PAVCCZ
X9000	H2D200500011	CRYSTAL	1	
X9200	H0J200500038	CRYSTAL	1	
XV01	K1KAB0A00011	CONNECTOR	1	
ZA2101-08	TESA169	SHIELD CLIP	8	
ZA2300,01	K4CZ01000027	COMPATIBLE WITH JALCO K9	2	
ZA3401-05	K4CZ01000027	COMPATIBLE WITH JALCO K9	5	
ZA3701	K4CD01000013	TERMINAL	1	
ZA4001,02	K4CD08000002	TERMINAL	2	
ZA6001,02	K4CD01000011	TERMINAL	2	
ZA6005	K4CD01000011	TERMINAL	1	

Ref. No.	Part No.	Part Name & Description	Pcs	Remarks
ZA6401-03	K4CD01000011	TERMINAL	3	
ZA7101-04	K4CD01000013	TERMINAL	4	
ZA7201-04	K4CD01000013	TERMINAL	4	
ZA9001	K4CD01000011	TERMINAL	1	
C402	F1J1C1050011	C 1UF, Z, 50V	1	
C404	F0CAF105A021	C 1UF, 250V	1	△
C407	EEUEB2W220B	E 22UF, 450V	1	△
C408	ECJ2XB1H102K	C 1000PF, K, 50V	1	
C409	F0CAF225A021	C 22UF, 250V	1	△
C410	ECJ2XB1H103K	C 0.01UF, K, 50V	1	
C413	ECJ2XB1H104K	C 0.1UF, K, 50V	1	
C414	ECQU2A473ML	P 0.047UF, M, 250V	1	△
C421	F1J1C1050011	C 1UF, Z, 50V	1	
C422	ECJ2XB1H103K	C 0.01UF, K, 50V	1	
C423	ECJ2XB1H472K	C 4700PF, K, 50V	1	
C425	ECJ2XB1H103K	C 0.01UF, K, 50V	1	
C426	ECJ2XC1H471J	C 470PF, J, 50V	1	
C427	F1J1C1050011	C 1UF, Z, 50V	1	
C428	ECJ2XC1H221J	C 220PF, J, 50V	1	
C429	F1E2J4730001	C 0.047PF, , 600V	1	
C431	ECJ2XB1H102K	C 1000PF, K, 50V	1	
C432	F1J1C1050011	C 1UF, Z, 50V	1	
C433	ECJ3XB1E104K	C 0.1UF, K, 25V	1	
C434	F1J1C1050011	C 1UF, Z, 50V	1	
C436	F1J1C1050011	C 1UF, Z, 50V	1	
C440	ECA1HM100	E 10UF, 50V	1	
C443,44	F1A3A102A040	C 1000PF, J, 1KV	2	
C445	F1J1C1050011	C 1UF, Z, 50V	1	
C446,47	F2B2W2010001	C 200UF, 450V	2	△
C450	ECJ2XB1H103K	C 0.01UF, K, 50V	1	
C451	F1A3A101A040	C 100PF, J, 1KV	1	
C457	ECWH12333RHV	P 0.013UF, J, 1.2KV	1	
C460,61	F1A3A331A039	E 330UF, 1KV	2	
C462	ECJ3YB1E105K	C 1UF, K, 25V	1	
C463	ECJ2XC1H220J	C 22UF, J, 50V	1	
C467	ECKCNA221KB7	C 220PF, M, ,	1	△
C468	ECJ2XB1H103K	C 0.01UF, K, 50V	1	
C469	ECKCNA221KB7	C 220PF, M, ,	1	△
C470	F0CAF105A021	C 1UF, 250V	1	△
C473,74	ECKCNA101KB7	C 100PF	2	△
C476	ECKCNA101KB7	C 100PF	1	△
C478	ECKCNA101KB7	C 100PF	1	△
C493	ECA1HM470	E 47UF, 50V	1	
C494	F2A2E1R00008	E 1.0UF, 250V	1	
C497	ECA1HM470	E 47UF, 50V	1	
C501,02	ECJ2XB1H103K	C 0.01UF, K, 50V	2	
C503	ECJ2XC1H471J	C 470PF, J, 50V	1	
C504	F1J1C1050011	C 1UF, Z, 50V	1	
C505	ECJ2XB1H102K	C 1000PF, K, 50V	1	
C506,07	ECJ2XB1H103K	C 0.01UF, K, 50V	2	
C508	ECJ2XC1H471J	C 470PF, J, 50V	1	
C509	ECA1EHG101	E 100UF, 25V	1	
C510	ECJ2XB1H104K	C 0.1UF, K, 50V	1	
C511	ECJ2XB1H102K	C 1000PF, K, 50V	1	
C512-14	ECJ2XC1H471J	C 470PF, J, 50V	3	
C515	F2A1A1220011	E 1200UF, 10V	1	
C516	ECJ2XB1C474K	C 0.47UF, Z, 16V	1	
C517	F2A1E221A096	E 220UF, 25V	1	
C518	ECJ2XB1H104K	C 0.1UF, K, 50V	1	
C519	F1J1C1050011	C 1UF, Z, 50V	1	
C520	ECWH8683RHV	P 0.068PF, J, 8KV	1	
C523	ECJ3YB1E105K	C 1UF, K, 25V	1	
C526	ECJ2XB1H223K	C 0.022UF, K, 50V	1	
C527	ECJ3YB1E475K	C 4.7UF, K, 25V	1	
C528,29	F1J1C1050011	C 1UF, Z, 50V	2	
C530	ECJ2VB1H333K	C 0.033UF, K, 50V	1	
C531	ECJ3YB1E105K	C 1UF, K, 25V	1	
C533	ECJ2XB1H103K	C 0.01UF, K, 50V	1	
C534	ECJ2XC1H471J	C 470PF, J, 50V	1	
C546,47	ECJ2XB1H102K	C 1000PF, K, 50V	2	

Ref. No.	Part No.	Part Name & Description	Pcs	Remarks
C550	ECJ2XC1H331J	C 330PF, J, 50V	1	
C551,52	ECJ2XB1H104K	C 0.1UF, K, 50V	2	
C554	F1J1C1050011	C 1UF, Z, 50V	1	
C555	F2A2C471A119	E 470UF, 160V	1	△
C556,57	EEUFC1E152	E 1500UF, 25V	2	
C558	F2A1E471A096	E 470UF, 25V	1	
C559	F2A1A1220011	E 1200UF, 10V	1	
C562	ECJ2XB1H223K	C 0.022UF, K, 50V	1	
C571	ECJ2XC1H330J	C 33PF, J, 50V	1	
C574	ECJ2XB1H104K	C 0.1UF, K, 50V	1	
C577	F2A2A330A022	E 33UF, 100V	1	△
C581	ECJ2XB1H223K	C 0.022UF, K, 50V	1	
C583	ECJ2XB1H102K	C 1000PF, K, 50V	1	
C584,85	ECJ2XB1H223K	C 0.022UF, K, 50V	2	
C587	ECJ2XB1H332K	C 3300PF, K, 50V	1	
C601	ECJ2XB1H103K	C 0.01UF, K, 50V	1	
C603	ECJ2FB1E105K	C 1UF, K, 25V	1	
C604,05	F2A2D1510008	E 1500UF, 200V	2	△
C607	F1J1C1050011	C 1UF, Z, 50V	1	
C608	ECJ2XB1H103K	C 0.01UF, K, 50V	1	
C610	F1J1C1050011	C 1UF, Z, 50V	1	
C611	F2B2T1420003	E 1400UF, 220V	1	△
C612,13	ECJ2XB1H103K	C 0.01UF, K, 50V	2	
C615	F2B2T1420003	E 1400UF, 220V	1	△
C616	F1A3A102A040	C 1000PF, J, 1KV	1	
C619	ECJ2XB1H104K	C 0.1UF, K, 50V	1	
C620	ECJ2XB1H103K	C 0.01UF, K, 50V	1	
C623	ECA1HM100	E 10UF, 50V	1	
C624	ECJ2XB1H103K	C 0.01UF, K, 50V	1	
C625	ECA1HM100	E 10UF, 50V	1	
C626	ECJ2XB1H103K	C 0.01UF, K, 50V	1	
C627	ECJ2XB1H102K	C 1000PF, K, 50V	1	
C629-31	ECJ2XB1H103K	C 0.01UF, K, 50V	3	
C632	ECJ2XC1H331J	C 330PF, J, 50V	1	
C634	ECJ2XB1H102K	C 1000PF, K, 50V	1	
C635	ECJ2XB1H103K	C 0.01UF, K, 50V	1	
C638,39	ECJ2XB1H103K	C 0.01UF, K, 50V	2	
C640	ECJ2XB1H104K	C 0.1UF, K, 50V	1	
C641	ECJ2XB1H102K	C 1000PF, K, 50V	1	
C643	ECA1HM470	E 47UF, 50V	1	
C650	ECJ2XB1H104K	C 0.1UF, K, 50V	1	
C653	ECJ2XB1H102K	C 1000PF, K, 50V	1	
C654	ECJ3YB1E105K	C 1UF, K, 25V	1	
C655,56	ECJ3YB1E225K	C 2.2UF, K, 25V	2	
C657	ECJ2XB1H102K	C 1000PF, K, 50V	1	
C658	ECJ3YB1E105K	C 1UF, K, 25V	1	
C659	ECJ2XB1H103K	C 0.01UF, K, 50V	1	
C660	ECJ2FB1C225K	C 22UF, K, 16V	1	
C661,62	ECJ2XB1H103K	C 0.01UF, K, 50V	2	
D401	B0FBCT000004	DIODE	1	△
D404	B0EBKT000007	DIODE	1	△
D407	MA111	DIODE	1	
D411	B0BB17000009	DIODE	1	
D412	B0HAMM000122	DIODE	1	
D415	B0JAME000099	DIODE	1	
D416	B0HAMP000067	DIODE	1	
D417	B0HAPR000013	DIODE	1	
D418	B0BC8R100013	DIODE	1	
D419,20	B0HAPR000013	DIODE	2	
D423	MA188	DIODE	1	
D425	MA188	DIODE	1	
D429	ERA15-10	DIODE	1	
D430	MA111	DIODE	1	
D431,32	B0JCDD000002	DIODE	2	
D433	B0BC01400033	DIODE	1	
D435	ERA15-10	DIODE	1	
D436-38	MA4200M	ZENER DIODE	3	
D441	B0HAMM000122	DIODE	1	
D444	B0HAMM000122	DIODE	1	
D445	MA4360H	ZENER DIODE	1	
D501	B0HAPR000012	DIODE	1	
D503,04	MA165	DIODE	2	

Ref. No.	Part No.	Part Name & Description	Pcs	Remarks
D505	B0JAME000099	DIODE	1	
D506	MAZ80470LL	ZENER DIODE	1	
D507,08	B0BC7R400023	DIODE	2	
D509	B0JANG000018	DIODE	1	
D511	B0JAML000011	DIODE	1	
D512,13	MA111	DIODE	2	
D514	B0BC6R100025	DIODE	1	
D515	B0BC3R200008	DIODE	1	
D516-18	MA4330M	ZENER DIODE	3	
D520	MA111	DIODE	1	
D521	B0JAME000099	DIODE	1	
D528,29	MA153	DIODE	2	
D530	B0BC9R900013	DIODE	1	
D531	B0HBSN000013	DIODE	1	
D535	MA188	DIODE	1	
D536	B0JBSG000026	DIODE	1	
D538	B0BC5R100039	DIODE	1	
D539,40	B0AARR000010	DIODE	2	
D542	MA4200M	ZENER DIODE	1	
D543	B0BC01400033	DIODE	1	
D544,45	MA4200M	ZENER DIODE	2	
D549	B0BC02500008	DIODE	1	
D551	B0BC01300033	DIODE	1	
D555	B0BC7R400023	DIODE	1	
D559	B0BC7R400023	DIODE	1	
D563	B0BC6R100025	DIODE	1	
D569-72	B0BC02500008	DIODE	4	
D574	MA165	DIODE	1	
D575	MA188	DIODE	1	
D579	MA165	DIODE	1	
D582	MAZ705600F	ZENER DIODE	1	
D585	B0BC7R400023	DIODE	1	
D586	B0HAMP000067	DIODE	1	
D587	MA188	DIODE	1	
D588	B0BC3R200008	DIODE	1	
D590	B0BC3R200008	DIODE	1	
D596	ERA15-10	DIODE	1	
D598	B0BC5R100039	DIODE	1	
D599	B0JCND000009	DIODE	1	
D600	B0BC7R400023	DIODE	1	
D601	B0BC5R100039	DIODE	1	
D602	B0BC8R100013	DIODE	1	
F410	K5G102B00020	FUSE	1	△
IC401	CNC1S171R	IC	1	△
IC402	C0DAEMB00004	IC	1	
IC403-05	CNC1S171R	IC	3	△
IC406	C0DAZZZ00021	IC	1	
IC408	CNC1S171R	IC	1	△
IC409	MIP2G40MPSCF	IC	1	△
IC410	CNC1S171R	IC	1	△
IC411	C0DAEMB00004	IC	1	
IC412	CNC1S171R	IC	1	△
IC501	C2ABDB000108	IC	1	
IC502	C0EBH0000210	IC	1	
IC504	C0DAEMB00004	IC	1	
IC505	CNC1S171R	IC	1	
IC506	C0ZBZ0000878	IC	1	
IC507	CNC1S171R	IC	1	
IC509	C0DABZZ00010	IC	1	
IC510	C0DBAZG00034	IC	1	
IC512	C0DAEMB00004	IC	1	
IC520	LSSK0062	IC	1	
L403	EXCELSA35	BEAD CHOKE	1	
L404,05	G0B123K00004	CHOKE COIL	2	△
L410	ELF17N004A	LINE FILTER	1	△
L510	EXCELDR25C	BEAD CHOKE	1	
L511	G0A470ZA0033	CHOKE COIL	1	
L512	ELESE4R7JA	PEAKING COIL	1	
L513	EXCELDR25C	BEAD CHOKE	1	

Ref. No.	Part No.	Part Name & Description	Pcs	Remarks
L514	G0A100GA0013	CHOKE COIL	1	
P2	K1KA02A00626	2P CONNECTOR	1	
P5	K1KA11AA0194	11P CONNECTOR	1	
P9	K1KA03A00537	3P CONNECTOR	1	
P10	K1KA06A00452	6P CONNECTOR	1	
P11	K1KA02A00626	2P CONNECTOR	1	
P12	K1KA10AA0194	10P CONNECTOR	1	
P23	K1KA03AA0193	3P CONNECTOR	1	
P25	K1KA20AA0178	20P CONNECTOR	1	
PMM1	TMM7464-2	CLAMPER	1	
PMM2,M3	TMME088	CLAMPER	2	
PMM4-M6	TMM7464-2	CLAMPER	3	
PMM7	TMME047	CLAMPER	1	
PR401	K5Y502BA0001	FUSE	1	△
PR505	K5H5022A0023	FUSE	1	△
PR509	ERBSE0R50U	FUSE	1	△
PR601	K5G312B00012	FUSE	1	△
Q401	B1CHND000004	TRANSISTOR	1	
Q402	B1DFDD000019	TRANSISTOR	1	
Q404	B1BCCF000022	TRANSISTOR	1	
Q406	B1DEKQ000003	TRANSISTOR	1	△
Q407	B1HFCFA00021	TRANSISTOR	1	
Q408,09	B1DHCD000034	TRANSISTOR	2	
Q412,13	B1DEGQ000070	TRANSISTOR	2	△
Q418	2SD1819A	TRANSISTOR	1	
Q420-22	2SD1819A	TRANSISTOR	3	
Q434	B1CEJQ000003	TRANSISTOR	1	
Q501,02	2SD1820A	TRANSISTOR	2	
Q505	B1CEJQ000002	TRANSISTOR	1	
Q507	B1DAGQ000013	TRANSISTOR	1	
Q508	B1HBCFA00033	TRANSISTOR	1	
Q509	B1HDCEA00001	TRANSISTOR	1	
Q510	B1DHBD000005	TRANSISTOR	1	
Q512	B1CBGD000001	FET	1	
Q517	B1HBCFA00033	TRANSISTOR	1	
Q520	B1HBCFA00033	TRANSISTOR	1	
Q521	B1CBGD000001	FET	1	
Q524	B1CFGF000008	TRANSISTOR	1	
Q525	B1CBGD000001	FET	1	
Q527	B1CERL000005	TRANSISTOR	1	
Q530	2SD1819A	TRANSISTOR	1	
Q535	2SD1819A	TRANSISTOR	1	
Q537	B1DFDD000019	TRANSISTOR	1	
Q538	B1CBGD000001	FET	1	
Q540	B1DHCD000034	TRANSISTOR	1	
Q541	B1CBGD000001	FET	1	
Q551	B1CBGD000001	FET	1	
Q553	2SD1819A	TRANSISTOR	1	
Q554	B1DHCD000034	TRANSISTOR	1	
Q555,56	B1DFGD000045	TRANSISTOR	2	
Q557-59	2SD1819A	TRANSISTOR	3	
Q561	2SD1819A	TRANSISTOR	1	
Q563	B1CFGF000008	TRANSISTOR	1	
Q564,65	2SB1218ARL	TRANSISTOR	2	
Q566	2SD1819A	TRANSISTOR	1	
Q568	B1CHGD000006	TRANSISTOR	1	
Q569	B1CBGD000001	FET	1	
R401	ERJ6GEYJ103	M 10KOHM,J,1/10W	1	
R402	ERJ6GEYJ821	M 820 OHM,J,1/10W	1	
R403	ERJ6GEYJ105	M 1MOHM,J,1/10W	1	
R404	ERJ6GEYJ102	M 1KOHM,J,1/10W	1	
R406	ERX12SJ2R2V	M 2.2 OHM, J,1/2W	1	
R407	ERJ8ENF4303	M 43KOHM, 1/8W	1	
R410	D1F5100E0003	CHIP RESISTOR	1	△
R412	ERJ6GEY0R00	M 0 OHM, 1/10W	1	
R413	D1F5100E0003	CHIP RESISTOR	1	△
R414	ERJ8GEYJ153	M 15KOHM, J,1/8W	1	
R415	ERJ6GEYJ103	M 10KOHM,J,1/10W	1	

Ref. No.	Part No.	Part Name & Description	Pcs	Remarks
R416	ERJ6GEYJ305	M 3MOHM,J,1/10W	1	
R417	ERJ6ENF4303	M 430KOHM, 1/10W	1	
R418	ERJ6GEYJ220	M 22 OHM,J,1/10W	1	
R419	ERJ6GEYJ104	M 100KOHM,J,1/10W	1	
R420	ERJ6GEY0R00	M 0 OHM, 1/10W	1	
R421	ERJ6GEYJ333	M 33KOHM,J,1/10W	1	
R422	ERJ6GEYJ334	M 330KOHM,J,1/10W	1	
R423	ERJ6GEYJ102	M 1KOHM,J,1/10W	1	
R424	ERJ6GEYJ223	M 22KOHM,J,1/10W	1	
R425	ERJ6ENF3902	M 39KOHM, 1/10W	1	
R426	ERJ6GEYJ103	M 10KOHM,J,1/10W	1	
R427	ERJ8ENF4303	M 43KOHM, 1/8W	1	
R428	ERJ6GEYJ103	M 10KOHM,J,1/10W	1	
R429	ERJ6GEYJ4R7	M 4.7 OHM,J,1/10W	1	
R430	ERJ6ENF4303	M 430KOHM, 1/10W	1	
R431	ERJ6GEYJ103	M 10KOHM,J,1/10W	1	
R432	ERJ6GEYJ102	M 1KOHM,J,1/10W	1	
R433	ERJ6ENF1202	M 12KOHM, 1/10W	1	
R434	ERJ8GEY0R00	M 0 OHM, 1/8W	1	
R435	ERJ8ENF4303	M 43KOHM, 1/8W	1	
R436	ERJ8GEYJ153	M 15KOHM, J,1/8W	1	
R437	ERJ6GEYJ183	M 18KOHM,J,1/10W	1	
R438	ERJ6GEYJ331	M 330 OHM,J,1/10W	1	
R439	ERG12SJ120	M 12 OHM, J,1/2W	1	
R440	ERJ8GEYJ474	M 470KOHM, J,1/8W	1	
R441,42	ERJ6EKF6803	M 680KOHM, 1/10W	2	
R443	EVMAASA00B23	CONTROL 2KOHMB	1	
R444	ERJ6GEYJ123	M 12KOHM,J,1/10W	1	
R448,49	D0XGR08J0001	M 0.08OHM,J, 5W	2	
R450	ERJ6GEYJ102	M 1KOHM,J,1/10W	1	
R451	ERJ6GEYJ333	M 33KOHM,J,1/10W	1	
R452	ERJ6GEYJ103	M 10KOHM,J,1/10W	1	
R453	ERJ6GEYJ305	M 3MOHM,J,1/10W	1	
R454	ERJ6GEYJ103	M 10KOHM,J,1/10W	1	
R455	ERJ6GEYJ123	M 12KOHM,J,1/10W	1	
R456	ERJ6GEYJ333	M 33KOHM,J,1/10W	1	
R458	ERJ6GEYJ472	M 4.7KOHM,J,1/10W	1	
R459	ERJ6EKF6803	M 680KOHM, 1/10W	1	
R461	ERJ6GEYJ103	M 10KOHM,J,1/10W	1	
R462	ERJ6ENF4303	M 430KOHM, 1/10W	1	
R463	ERJ6GEYJ333	M 33KOHM,J,1/10W	1	
R464	ERJ6ENF3302	M 33KOHM, 1/10W	1	
R465	ERJ6ENF5603	M 560KOHM, 1/10W	1	
R467	ERJ6GEYJ102	M 1KOHM,J,1/10W	1	
R471	ERJ8GEYJ332	M 3.3KOHM, J,1/8W	1	
R472,73	ERJ6ENF5603	M 560KOHM, 1/10W	2	
R475	ERJ6EKF6803	M 680KOHM, 1/10W	1	
R476,77	ERJ14YJ181U	M 181 OHM, J,1/4W	2	
R478	ERJ8GEYJ220	M 22 OHM, J,1/8W	1	
R480	ERJ6ENF4702	M 47KOHM, 1/10W	1	
R482	ERJ8GEYJ220	M 22 OHM, J,1/8W	1	
R483	D0BF225JA030	M 22MOHM,J,0.05W	1	△
R487	ERJ6GEYJ472	M 4.7KOHM,J,1/10W	1	
R488	ERJ6GEYJ104	M 100KOHM,J,1/10W	1	
R490,91	ERJ6GEYJ473	M 47KOHM,J,1/10W	2	
R492	ERJ6GEY0R00	M 0 OHM, 1/10W	1	
R493	ERG12SJ120	M 12 OHM, J,1/2W	1	
R494-96	ERJ6ENF5603	M 560KOHM, 1/10W	3	
R497	ERJ6ENF1202	M 12KOHM, 1/10W	1	
R498	ERG3SJ101	M 100 OHM, J, 3W	1	
R499	D0BF394JA029	M 390KOHM,J,0.05W	1	△
R501	ERJ6GEYJ223	M 22KOHM,J,1/10W	1	
R502,03	ERJ6GEYJ104	M 100KOHM,J,1/10W	2	
R504	ERJ6GEYJ102	M 1KOHM,J,1/10W	1	
R505	ERJ8GEYJ330	M 33 OHM, J,1/8W	1	
R506	ERJ6GEYJ102	M 1KOHM, J,1/10W	1	
R507	ERJ6GEYJ221	M 220 OHM,J,1/10W	1	
R508	ERJ6GEYJ102	M 1KOHM,J,1/10W	1	
R509-11	ERJ6GEYJ104	M 100KOHM,J,1/10W	3	
R512	ERJ6GEYJ223	M 22KOHM,J,1/10W	1	
R513,14	ERJ6GEYJ104	M 100KOHM,J,1/10W	2	
R515,16	ERJ6GEYJ102	M 1KOHM,J,1/10W	2	
R517	ERJ6GEYJ103	M 10KOHM,J,1/10W	1	

Ref. No.	Part No.	Part Name & Description	Pcs	Remarks
R518	ERJ6GEYJ102	M 1KOHM,J,1/10W	1	
R519,20	ERJ6GEYJ104	M 100KOHM,J,1/10W	2	
R521,22	ERJ8GEYJ100	M 10 OHM, J,1/8W	2	
R523	ERJ6GEYJ473	M 47KOHM,J,1/10W	1	
R524	ERJ6GEYJ102	M 1KOHM,J,1/10W	1	
R525	ERJ6GEYJ473	M 47KOHM,J,1/10W	1	
R526,27	ERJ8GEYJ224	M 220KOHM, J,1/8W	2	
R528	ERJ6GEYJ4R7	M 4.7 OHM,J,1/10W	1	
R529	ERJ6GEYJ101	M 100 OHM,J,1/10W	1	
R530	ERJ6RBD3302	M 33KOHM,F,1/10W	1	
R532	ERJ6GEYJ102	M 1KOHM,J,1/10W	1	
R533	ERJ6GEYJ163	M 16KOHM,J,1/10W	1	
R534	ERJ6GEYJ473	M 47KOHM,J,1/10W	1	
R535,36	ERJ6GEYJ102	M 1KOHM,J,1/10W	2	
R537	ERJ6ENF1003	M 100KOHM, 1/10W	1	
R538	ERJ6GEYJ104	M 100KOHM,J,1/10W	1	
R539	ERJ6GEYJ103	M 10KOHM,J,1/10W	1	
R540,41	ERJ6GEYJ105	M 1MOHM,J,1/10W	2	
R542	ERJ6GEYJ102	M 1KOHM,J,1/10W	1	
R543	ERJ6GEYJ153	M 15KOHM,J,1/10W	1	
R544	ERJ6GEYJ331	M 330 OHM,J,1/10W	1	
R545	ERJ6GEYJ103	M 10KOHM,J,1/10W	1	
R546	ERJ6GEYJ102	M 1KOHM,J,1/10W	1	
R547	ERJ6GEYJ101	M 100 OHM,J,1/10W	1	
R548	ERJ6GEYJ102	M 1KOHM,J,1/10W	1	
R549	ERJ6GEYJ103	M 10KOHM,J,1/10W	1	
R550	ERJ6GEYJ473	M 47KOHM,J,1/10W	1	
R551	ERJ6GEYJ334	M 330KOHM,J,1/10W	1	
R552	ERJ6GEYJ103	M 10KOHM,J,1/10W	1	
R553	ERJ6GEYJ101	M 100 OHM,J,1/10W	1	
R554	ERJ6GEYJ102	M 1KOHM,J,1/10W	1	
R555,56	ERJ6GEYJ105	M 1MOHM,J,1/10W	2	
R557	ERJ6GEYJ104	M 100KOHM,J,1/10W	1	
R558	ERJ6GEYJ474	M 470KOHM,J,1/10W	1	
R559	ERJ6ENF8201	M 8.2KOHM, 1/10W	1	
R560	ERJ6ENF9101	M 9.1KOHM, 1/10W	1	
R561	ERJ6ENF5101	M 5.1KOHM, 1/10W	1	
R562	ERJ6ENF4701	M 4.7KOHM, 1/10W	1	
R563	ERJ6GEYJ2R2	M 2.2 OHM,J,1/10W	1	
R564	ERJ6GEYJ104	M 100KOHM,J,1/10W	1	
R565,66	ERJ6GEYJ105	M 1MOHM,J,1/10W	2	
R567,68	ERJ8ENF1004	M 100KOHM, 1/8W	2	
R569	ERJ6ENF3302	M 33KOHM, 1/10W	1	
R570	ERJ6GEYJ104	M 100KOHM,J,1/10W	1	
R571	ERJ6GEYJ105	M 1MOHM,J,1/10W	1	
R572,73	ERJ8ENF3900	M 390 OHM, 1/8W	2	
R574	ERJ6GEYJ331	M 330 OHM,J,1/10W	1	
R575	ERJ6GEYJ102	M 1KOHM,J,1/10W	1	
R576	ERJ6ENF1202	M 12KOHM, 1/10W	1	
R577,78	ERJ6GEYJ473	M 47KOHM,J,1/10W	2	
R579	ERJ6GEYJ103	M 10KOHM,J,1/10W	1	
R580,81	ERJ6GEYJ473	M 47KOHM,J,1/10W	2	
R582	ERJ6ENF1002	M 10KOHM, 1/10W	1	
R583	ERJ6GEYJ473	M 47KOHM,J,1/10W	1	
R584	ERJ6GEYJ103	M 10KOHM,J,1/10W	1	
R585	ERJ6GEYJ333	M 33KOHM,J,1/10W	1	
R586	ERJ6GEYJ473	M 47KOHM,J,1/10W	1	
R587	ERJ8RSJR16V	M 16 OHM, 1/8W	1	
R588	ERJ8ENF3900	M 390 OHM, 1/8W	1	
R589,90	ERJ8GEYJ123	M 12KOHM, J,1/8W	2	
R591	ERJ6GEYJ105	M 1MOHM,J,1/10W	1	
R592	ERJ6ENF3001	M 3KOHM, 1/10W	1	
R593	ERJ6ENF5601	M 5.6KOHM, 1/10W	1	
R594	ERJ6GEYJ151	M 150 OHM,J,1/10W	1	
R595	ERJ8GEYJ222	M 2.2KOHM, J,1/8W	1	
R596	ERJ6GEYJ101	M 100 OHM,J,1/10W	1	
R597,98	ERJ6ENF3302	M 33KOHM, 1/10W	2	
R599,00	ERJ8ENF3900	M 390 OHM, 1/8W	2	
R601	ERJ6GEYJ473	M 47KOHM,J,1/10W	1	
R602	ERJ6ENF3301	M 3.3KOHM, 1/10W	1	
R603	ERJ6GEYJ333	M 33KOHM,J,1/10W	1	
R606	ERJ6ENF1201	M 1.2KOHM, 1/10W	1	
R607	ERJ6ENF2202	M 2.2KOHM, 1/10W	1	

Ref. No.	Part No.	Part Name & Description	Pcs	Remarks
R608	ERJ8GEYJ332	M 3.3KOHM, J,1/8W	1	
R609	ERJ6GEYJ102	M 1KOHM,J,1/10W	1	
R610,11	ERJ6GEYJ473	M 47KOHM,J,1/10W	2	
R612	ERJ6GEYJ222	M 2.2KOHM,J,1/10W	1	
R613	ERJ6ENF2702	M 27KOHM, 1/10W	1	
R614	ERJ6ENF3301	M 3.3KOHM, 1/10W	1	
R615	ERJ6GEYJ102	M 1KOHM,J,1/10W	1	
R616,17	ERJ6GEYJ103	M 10KOHM,J,1/10W	2	
R618	ERJ6GEYJ104	M 100KOHM,J,1/10W	1	
R619	ERJ8RQJR39	M0.39 OHM, 1/8W	1	
R620	ERJ6GEYJ103	M 10KOHM,J,1/10W	1	
R621	ERJ8GEYJ123	M 12KOHM, J,1/8W	1	
R622	ERJ8ENF1503	M 15KOHM, 1/8W	1	
R624	ERX2SJR22	M0.22 OHM, J, 2W	1	
R626	ERJ8ENF1503	M 15KOHM, 1/8W	1	
R627	ERJ6GEYJ752	M 7.5KOHM,J,1/10W	1	
R628	EVMAASA00B33	CONTROL 3KOHMB	1	
R629	ERJ6GEYJ105	M 1MOHM,J,1/10W	1	
R630	ERJ8GEYJ472	M 4.7KOHM, J,1/8W	1	
R631	ERJ8GEYJ333	M 33KOHM, J,1/8W	1	
R632	ERJ6GEYJ221	M 220 OHM,J,1/10W	1	
R633	ERJ6GEYJ105	M 1MOHM,J,1/10W	1	
R634	ERJ8RQJR39	M0.39 OHM, 1/8W	1	
R636	ERJ8ENF1503	M 15KOHM, 1/8W	1	
R637	ERJ8RQJR39	M0.39 OHM, 1/8W	1	
R638	ERJ6GEYJ102	M 1KOHM,J,1/10W	1	
R639,40	ERJ8RQJR39	M0.39 OHM, 1/8W	2	
R641	ERJ6GEYJ473	M 47KOHM,J,1/10W	1	
R642-44	ERJ8RQJR39	M0.39 OHM, 1/8W	3	
R645	ERJ6GEYJ101	M 100 OHM,J,1/10W	1	
R646,47	ERJ8GEYJ223	M 22KOHM, J,1/8W	2	
R648	ERJ8ENF1503	M 15KOHM, 1/8W	1	
R649	ERJ6GEYJ223	M 22KOHM,J,1/10W	1	
R650	ERJ6GEYJ103	M 10KOHM,J,1/10W	1	
R651,52	ERJ6ENF1002	M 10KOHM, 1/10W	2	
R653	ERJ6ENF3302	M 33KOHM, 1/10W	1	
R654	ERJ8GEYJ220	M 22 OHM, J,1/8W	1	
R655	ERJ8RSJR16V	M 16 OHM, 1/8W	1	
R656	ERJ6ENF4702	M 47KOHM, 1/10W	1	
R657	ERJ6GEYJ102	M 1KOHM,J,1/10W	1	
R658	ERJ6GEYJ105	M 1MOHM,J,1/10W	1	
R659	ERJ6ENF3002	M 30KOHM, 1/10W	1	
R660	ERJ6ENF1202	M 12KOHM, 1/10W	1	
R661	EVMEASA00B53	CONTROL 5KOHMB 0.3W	1	
R662	ERJ6ENF1503	M 150KOHM, 1/10W	1	
R664	ERJ6ENF9101	M 9.1KOHM, 1/10W	1	
R665	EVMEASA00B23	CONTROL 2KOHMB 0.3W	1	
R666	ERJ6GEYJ102	M 1KOHM,J,1/10W	1	
R667,68	ERJ8GEYOR00	M 0 OHM, 1/8W	2	
R669	ERJ6ENF1303	M 130KOHM, 1/10W	1	
R670	ERJ6GEYJ102	M 1KOHM,J,1/10W	1	
R671	EVMEASA00B14	CONTROL 10KOHMB 0.3W	1	
R672,73	ERJ6GEYJ102	M 1KOHM,J,1/10W	2	
R674	ERJ8GEYJ333	M 33KOHM, J,1/8W	1	
R675	ERJ6ENF2202	M 2.2KOHM, 1/10W	1	
R676	ERJ8GEYJ333	M 33KOHM, J,1/8W	1	
R677	ERJ6GEYJ474	M 470KOHM,J,1/10W	1	
R678	ERJ8GEYOR00	M 0 OHM, 1/8W	1	
R679,80	ERJ8RSJR16V	M 16 OHM, 1/8W	2	
R682	ERJ6ENF2002	M 20KOHM, 1/10W	1	
R683	ERJ6GEYJ333	M 33KOHM,J,1/10W	1	
R684	ERJ6GEYJ103	M 10KOHM,J,1/10W	1	
R685,86	ERJ6GEYJ102	M 1KOHM,J,1/10W	2	
R687	ERJ6GEYJ103	M 10KOHM,J,1/10W	1	
R688,89	ERJ6GEYJ102	M 1KOHM,J,1/10W	2	
R690	ERJ6GEYJ4R7	M 4.7 OHM,J,1/10W	1	
R691	ERJ6GEYJ104	M 100KOHM,J,1/10W	1	
R692	ERJ6GEYJ472	M 4.7KOHM,J,1/10W	1	
R693	ERJ6GEYJ103	M 10KOHM,J,1/10W	1	
R695	ERJ6ENF1202	M 12KOHM, 1/10W	1	
R696	ERJ8GEYJ100	M 10 OHM, J,1/8W	1	

Ref. No.	Part No.	Part Name & Description	Pcs	Remarks
R697	ERJ6GEYJ4R7	M 4.7 OHM,J,1/10W	1	
R698	ERJ8RSJR16V	M 16 OHM, 1/8W	1	
R699-08	ERJ8GEYJ105	M 1MOHM, J,1/8W	10	
R711	ERJ8RSJR16V	M 16 OHM, 1/8W	1	
R712	ERJ6GEYJ4R7	M 4.7 OHM,J,1/10W	1	
R713	ERJ8GEYJ472	M 4.7KOHM, J,1/8W	1	
R714	ERJ6GEYJ101	M 100 OHM, J,1/10W	1	
R715	ERDS2TJ101	C 100 OHM, J,1/4W	1	
R921	ERJ6RBD3302	M 33KOHM,F,1/10W	1	
R922	ERJ6GEYJ101	M 100 OHM,J,1/10W	1	
R931	ERJ6ENF3002	M 30KOHM, 1/10W	1	
R932	ERJ6GEYJ104	M 100KOHM,J,1/10W	1	
R933	ERJ6GEYJ102	M 1KOHM,J,1/10W	1	
R935	ERJ6GEYJ104	M 100KOHM,J,1/10W	1	
R936	ERJ6GEYJ103	M 10KOHM,J,1/10W	1	
R937	ERJ6GEYJ102	M 1KOHM,J,1/10W	1	
R938	ERJ6GEYJ472	M 4.7KOHM,J,1/10W	1	
R939,40	ERJ6GEYJ102	M 1KOHM,J,1/10W	2	
R943	ERJ6GEYJ105	M 1MOHM,J,1/10W	1	
R945	ERJ6GEYJ223	M 22KOHM,J,1/10W	1	
R946	ERJ6GEYJ333	M 33KOHM,J,1/10W	1	
R947	ERJ8GEYJ331	M 330 OHM, J,1/8W	1	
R950	ERJ6GEYJ105	M 1MOHM,J,1/10W	1	
R951,52	ERJ8GEYJ100	M 10 OHM, J,1/8W	2	
R953	ERJ6GEYJ222	M 2.2KOHM,J,1/10W	1	
R955	ERJ6GEYJ473	M 47KOHM,J,1/10W	1	
R956	ERJ6GEYJ104	M 100KOHM,J,1/10W	1	
RL402,03	TSEH8011	RELAY	2	△
S401,02	JOLT00000009	SWITCH	2	△
T401	G4D4A0000117	SWITCHING TRANSFORMER	1	
T402	G4D1A0000098	SWITCHING TRANSFORMER	1	△
T404	ETS42LA12GAD	SWITCHING TRANS	1	△
T407	ETQ11K5AZ	CHOKE TRANS	1	△
T410	ETS25AF115AH	SWITCHING TRANS	1	△
T601	G4D2A0000264	SWITCHING TRANS	1	
W9,10	J0JKB0000037	FLAT CORE	2	
X501	H2B400400021	CRYSTAL	1	
Z1,Z2	K4ZZ01000206	TERMINAL	2	
Z420	TMM23417	CLAMPER	2	
Z450-53	EYF52BCY	FUSE HOLDER	4	
ZN401	ERZVGD621T2	VARISTOR	1	△
ZN402	D4EAD7510001	VARISTOR	1	△
ZN404	ERZVGD681T2	VARISTOR	1	△
ZN405-06	ERZVA7D511	VARISTOR	2	△