

SECTION 5 EXPLODED VIEWS

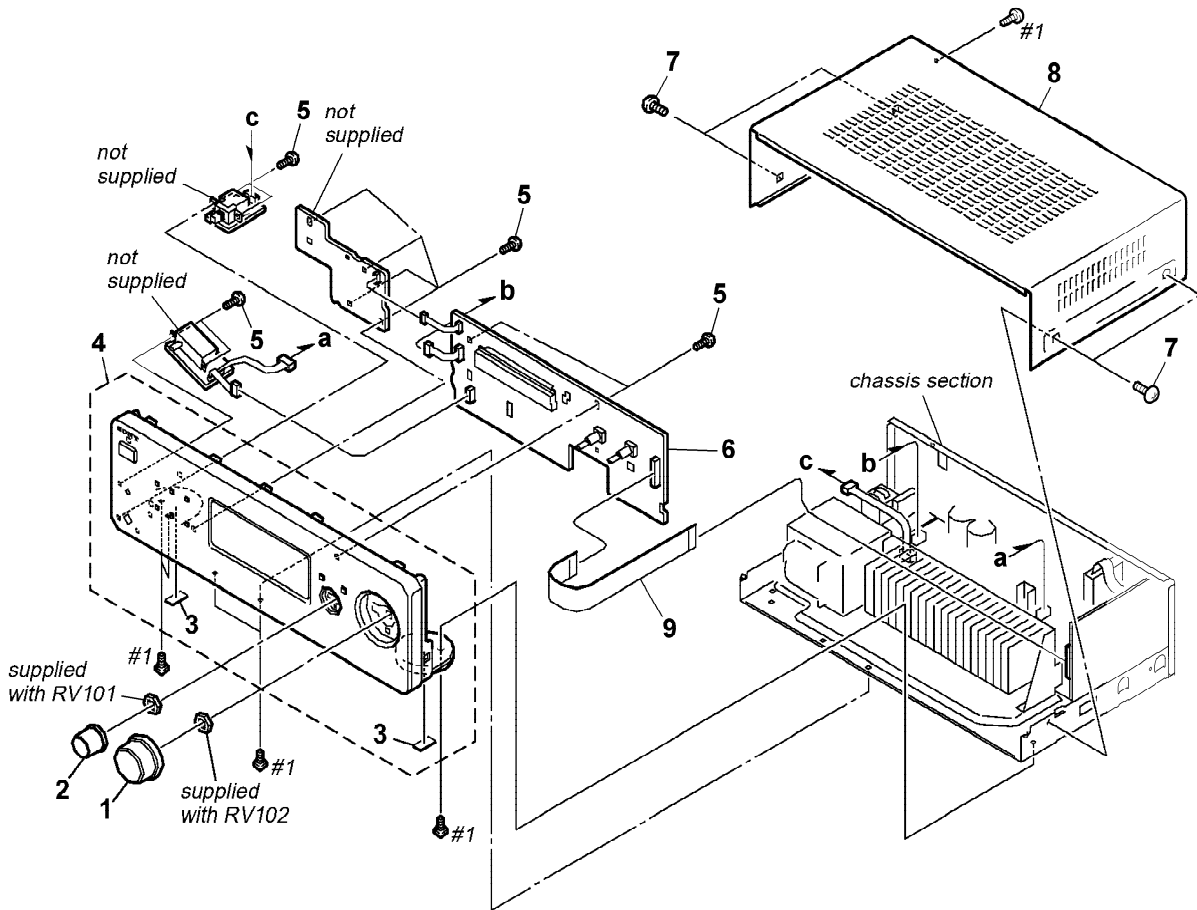
NOTE:

- -XX and -X mean standardized parts, so they may have some difference from the original one.
- The mechanical parts with no reference number in the exploded views are not supplied.
- Items marked “*” are not stocked since they are seldom required for routine service. Some delay should be anticipated when ordering these items.
- Abbreviation
CND : Canadian model

The components identified by mark Δ or dotted line with mark Δ are critical for safety. Replace only with part number specified.

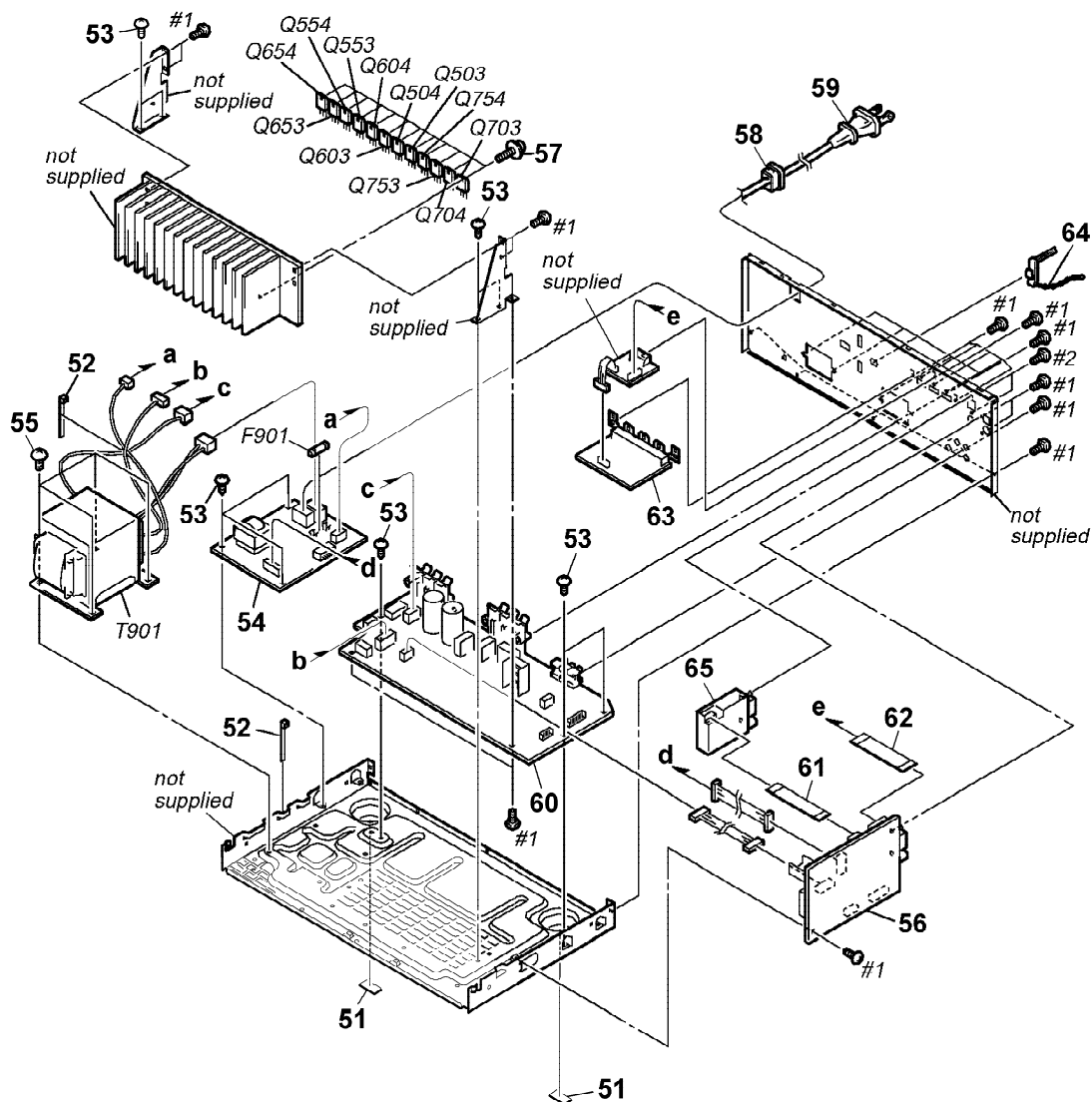
Les composants identifiés par une marque Δ sont critiques pour la sécurité. Ne les remplacer que par une pièce portant le numéro spécifié.

5-1. FRONT PANEL SECTION



Ref. No.	Part No.	Description	Remark	Ref. No.	Part No.	Description	Remark
1	2-661-142-22	VOLUME KNOB		6	A-1221-225-A	DISPLAY BOARD, COMPLETE (US, CND)	
2	2-661-141-22	MENU KNOB		6	A-1221-226-A	DISPLAY BOARD, COMPLETE (AEP, UK)	
3	4-977-358-01	CUSHION		7	3-363-099-11	SCREW (CASE 3 TP2)	
4	X-2159-959-1	FRONT PANEL ASSY (US)		8	2-662-472-01	CASE	
4	X-2159-960-1	FRONT PANEL ASSY (CND)		9	1-829-994-11	WIRE (FLAT TYPE) (17 CORE)	
4	X-2159-961-1	FRONT PANEL ASSY (AEP, UK)		#1	7-685-646-71	SCREW +BVTP 3X8 TYPE2 IT-3	
5	3-087-053-01	+BVTP2.6 (3CR)					

5-2. CHASSIS SECTION



Ref. No.	Part No.	Description	Remark	Ref. No.	Part No.	Description	Remark
51	4-977-358-01	CUSHION		65	1-693-733-11	TUNER (FM/AM) (US)	
52	3-701-748-00	CLAMP		65	1-693-737-11	TUNER (FM/AM) (AEP, UK)	
53	3-077-331-21	+BV3 (3 CR)		△ F901	1-532-464-33	FUSE (T2.5A/250V) (AEP, UK)	
54	A-1221-175-A	STANDBY BOARD, COMPLETE (US, CND)		△ F901	1-533-452-12	FUSE, GLASS TUBE (DIA.5) (4A/125V)	(US, CND)
54	A-1221-176-A	STANDBY BOARD, COMPLETE (AEP, UK)		△ Q503	6-702-390-01	IC MN2488-OPY-MK	
55	4-249-675-01	+BV SUMITITE S 4X6 ROUND		△ Q504	6-702-391-01	IC MP1620-OPY-MK	
56	A-1221-230-A	DIGITAL BOARD, COMPLETE (US, CND)		△ Q504	6-702-391-01	IC MP1620-OPY-MK	
56	A-1221-231-A	DIGITAL BOARD, COMPLETE (AEP, UK)		△ Q553	6-702-390-01	IC MN2488-OPY-MK	
57	3-905-609-01	SCREW (TRANSISTOR)		△ Q554	6-702-391-01	IC MP1620-OPY-MK	
* 58	3-703-244-00	BUSHING (2104), CORD		△ Q603	6-702-390-01	IC MN2488-OPY-MK	
△ 59	1-777-071-83	CORD, POWER (AEP, UK)		△ Q604	6-702-391-01	IC MP1620-OPY-MK	
△ 59	1-783-820-11	CORD, POWER (US, CND)		△ Q653	6-702-390-01	IC MN2488-OPY-MK	
60	A-1221-171-A	MAIN BOARD, COMPLETE (US, CND)		△ Q654	6-702-391-01	IC MP1620-OPY-MK	
60	A-1221-172-A	MAIN BOARD, COMPLETE (AEP, UK)		△ Q703	6-702-390-01	IC MN2488-OPY-MK	
61	1-828-953-11	WIRE (FLAT TYPE) (9 CORE) (US, CND)		△ Q704	6-702-391-01	IC MP1620-OPY-MK	
61	1-828-963-11	WIRE (FLAT TYPE) (11 CORE) (AEP, UK)		△ Q753	6-702-390-01	IC MN2488-OPY-MK	
62	1-828-971-11	WIRE (FLAT TYPE) (13 CORE) (AEP, UK)		△ Q754	6-702-391-01	IC MP1620-OPY-MK	
63	A-1158-394-A	HDMI SW BOARD, COMPLETE (AEP, UK)		△ T901	1-443-909-11	POWER TRANSFORMER (US, CND)	
64	4-956-370-12	BAND, PLUG FIXED (UK)		△ T901	1-443-916-11	POWER TRANSFORMER (AEP, UK)	
65	1-693-728-11	TUNER (FM/AM) (CND)		#1	7-685-646-71	SCREW +BVTP 3X8 TYPE IT-3	
				#2	7-685-862-01	SCREW +BVTT 2.6X6 (S)	

SECTION 6
ELECTRICAL PARTS LIST

NOTE:

- Due to standardization, replacements in the parts list may be different from the parts specified in the diagrams or the components used on the set.
- -XX and -X mean standardized parts, so they may have some difference from the original one.
- RESISTORS
All resistors are in ohms.
METAL: Metal-film resistor.
METAL OXIDE: Metal oxide-film resistor.
F: nonflammable
- COILS
uH: μ H

- CAPACITORS
uF: μ F
- Items marked "*" are not stocked since they are seldom required for routine service. Some delay should be anticipated when ordering these items.
- SEMICONDUCTORS
In each case, u: μ , for example:
uA. . . : μ A. . . uPA. . . : μ PA. . .
uPB. . . : μ PB. . . uPC. . . : μ PC. . .
uPD. . . : μ PD. . .
- Abbreviation
CND : Canadian model

When indicating parts by reference number, please include the board name.

The components identified by mark Δ or dotted line with mark Δ are critical for safety. Replace only with part number specified.

Les composants identifiés par une marque Δ sont critiques pour la sécurité. Ne les remplacer que par une pièce portant le numéro spécifié.

Ref. No.	Part No.	Description	Remark
		DCAC BOARD *****	
		< CAPACITOR >	
C2001	1-162-282-31	CERAMIC 100PF	10% 50V
C2002	1-126-160-11	ELECT 1uF	20% 50V
C2003	1-127-882-31	CERAMIC 0.033uF	10% 50V
C2005	1-128-803-11	CERAMIC 33PF	5% 50V
C2006	1-126-160-11	ELECT 1uF	20% 50V
C2008	1-128-806-11	CERAMIC 56PF	5% 50V
C2010	1-127-882-31	CERAMIC 0.033uF	10% 50V
C2011	1-127-880-11	CERAMIC 0.022uF	10% 50V
C2012	1-127-880-11	CERAMIC 0.022uF	10% 50V
C2013	1-126-160-11	ELECT 1uF	20% 50V
C2014	1-124-465-00	ELECT 0.47uF	20% 50V
C2018	1-127-888-11	CERAMIC 0.1uF	10% 50V
		< DIODE >	
D2013	8-719-991-33	DIODE 1SS133T-77	
D2014	8-719-991-33	DIODE 1SS133T-77	
		< IC >	
IC2000	8-759-167-88	IC NJM4565D	
		< JACK >	
J2000	1-820-056-11	SMALL TYPE JACK (VIDEO 1 IN/PORTABLE AUDIO IN/AUTO CAL MIC)	
		< TRANSISTOR >	
Q2001	8-729-030-02	TRANSISTOR DTC144ESA	
Q2002	8-729-029-21	TRANSISTOR DTA114ESA-TP	
		< RESISTOR >	
R2000	1-247-831-91	CARBON 1K	5% 1/4W
R2001	1-249-429-11	CARBON 10K	5% 1/4W
R2003	1-249-429-11	CARBON 10K	5% 1/4W
R2005	1-247-903-00	CARBON 1M	5% 1/4W
R2006	1-247-831-91	CARBON 1K	5% 1/4W
R2007	1-249-429-11	CARBON 10K	5% 1/4W
R2008	1-247-897-11	CARBON 560K	5% 1/4W
R2010	1-249-429-11	CARBON 10K	5% 1/4W
R2015	1-249-435-11	CARBON 33K	5% 1/4W
R2016	1-249-431-11	CARBON 15K	5% 1/4W
R2017	1-249-421-11	CARBON 2.2K	5% 1/4W

Ref. No.	Part No.	Description	Remark
R2018	1-249-418-11	CARBON 1.2K 5%	1/4W
R2019	1-249-421-11	CARBON 2.2K 5%	1/4W

	A-1221-230-A	DIGITAL BOARD, COMPLETE (US, CND)	
	A-1221-231-A	DIGITAL BOARD, COMPLETE (AEP, UK)	

	7-685-646-79	SCREW +BVTP 3X8 TYPE2 IT-3	
		< CAPACITOR >	
C1001	1-126-925-91	ELECT 470uF	20% 10V
C1002	1-125-891-11	CERAMIC CHIP 0.47uF	10% 10V
C1004	1-100-566-91	CERAMIC CHIP 0.1uF	10% 25V
C1005	1-100-566-91	CERAMIC CHIP 0.1uF	10% 25V
C1019	1-100-566-91	CERAMIC CHIP 0.1uF	10% 25V
C1021	1-137-980-91	CERAMIC CHIP 0.47uF	10% 50V
C1022	1-135-372-31	ELECT 470uF	20% 10V
C1031	1-137-980-91	CERAMIC CHIP 0.47uF	10% 50V
C1032	1-135-372-31	ELECT 470uF	20% 10V
C1067	1-162-960-11	CERAMIC CHIP 220PF	10% 50V
C1068	1-162-960-11	CERAMIC CHIP 220PF	10% 50V
C1100	1-100-566-91	CERAMIC CHIP 0.1uF	10% 25V
C1102	1-100-566-91	CERAMIC CHIP 0.1uF	10% 25V
C1103	1-126-947-11	ELECT 47uF	20% 35V
C1107	1-100-566-91	CERAMIC CHIP 0.1uF	10% 25V
C1108	1-100-566-91	CERAMIC CHIP 0.1uF	10% 25V
C1118	1-100-566-91	CERAMIC CHIP 0.1uF	10% 25V
C1119	1-100-566-91	CERAMIC CHIP 0.1uF	10% 25V
C1120	1-100-566-91	CERAMIC CHIP 0.1uF	10% 25V
C1121	1-100-566-91	CERAMIC CHIP 0.1uF	10% 25V
C1122	1-100-566-91	CERAMIC CHIP 0.1uF	10% 25V
C1123	1-100-566-91	CERAMIC CHIP 0.1uF	10% 25V
C1124	1-100-566-91	CERAMIC CHIP 0.1uF	10% 25V
C1129	1-162-974-11	CERAMIC CHIP 0.01uF	50V
C1131	1-162-974-11	CERAMIC CHIP 0.01uF	50V
C1132	1-162-974-11	CERAMIC CHIP 0.01uF	50V
C1137	1-162-970-11	CERAMIC CHIP 0.01uF	10% 25V
C1138	1-100-566-91	CERAMIC CHIP 0.1uF	10% 25V
C1139	1-100-566-91	CERAMIC CHIP 0.1uF	10% 25V
C1140	1-100-566-91	CERAMIC CHIP 0.1uF	10% 25V
C1142	1-100-566-91	CERAMIC CHIP 0.1uF	10% 25V
C1144	1-162-974-11	CERAMIC CHIP 0.01uF	50V
C1145	1-162-974-11	CERAMIC CHIP 0.01uF	50V
C1149	1-162-960-11	CERAMIC CHIP 220PF	10% 50V
C1171	1-162-974-11	CERAMIC CHIP 0.01uF	50V

Ref. No.	Part No.	Description	Remark	Ref. No.	Part No.	Description	Remark
C1172	1-162-974-11	CERAMIC CHIP	0.01uF	50V	C1510	1-100-566-91	CERAMIC CHIP 0.1uF 10% 25V
C1253	1-162-960-11	CERAMIC CHIP	220PF	10% 50V	C1511	1-100-566-91	CERAMIC CHIP 0.1uF 10% 25V
C1254	1-162-960-11	CERAMIC CHIP	220PF	10% 50V	C1513	1-100-566-91	CERAMIC CHIP 0.1uF 10% 25V
C1255	1-162-960-11	CERAMIC CHIP	220PF	10% 50V	C1514	1-100-566-91	CERAMIC CHIP 0.1uF 10% 25V
C1299	1-100-566-91	CERAMIC CHIP	0.1uF	10% 25V	C1515	1-126-925-91	ELECT 470uF 20% 10V
C1301	1-100-566-91	CERAMIC CHIP	0.1uF	10% 25V	C1516	1-100-566-91	CERAMIC CHIP 0.1uF 10% 25V
C1302	1-162-974-11	CERAMIC CHIP	0.01uF	50V	C1517	1-126-925-91	ELECT 470uF 20% 10V
C1303	1-100-566-91	CERAMIC CHIP	0.1uF	10% 25V	C1518	1-100-566-91	CERAMIC CHIP 0.1uF 10% 25V
C1304	1-107-726-91	CERAMIC CHIP	0.01uF	10% 16V	C1519	1-100-566-91	CERAMIC CHIP 0.1uF 10% 25V
C1305	1-100-566-91	CERAMIC CHIP	0.1uF	10% 25V	C1520	1-100-566-91	CERAMIC CHIP 0.1uF 10% 25V
C1306	1-126-947-11	ELECT	47uF	20% 35V	C1521	1-162-920-11	CERAMIC CHIP 27PF 5% 50V
C1308	1-100-566-91	CERAMIC CHIP	0.1uF	10% 25V	C1522	1-162-920-11	CERAMIC CHIP 27PF 5% 50V
C1309	1-162-918-11	CERAMIC CHIP	18PF	5% 50V	C1525	1-126-925-91	ELECT 470uF 20% 10V
C1310	1-162-918-11	CERAMIC CHIP	18PF	5% 50V	C1547	1-162-966-11	CERAMIC CHIP 0.0022uF 10% 50V
C1312	1-100-566-91	CERAMIC CHIP	0.1uF	10% 25V	C1566	1-162-966-11	CERAMIC CHIP 0.0022uF 10% 50V
C1313	1-162-927-11	CERAMIC CHIP	100PF	5% 50V	C1567	1-162-966-11	CERAMIC CHIP 0.0022uF 10% 50V
C1314	1-100-566-91	CERAMIC CHIP	0.1uF	10% 25V	C1568	1-162-966-11	CERAMIC CHIP 0.0022uF 10% 50V
C1315	1-100-566-91	CERAMIC CHIP	0.1uF	10% 25V	C1569	1-162-966-11	CERAMIC CHIP 0.0022uF 10% 50V
C1351	1-100-566-91	CERAMIC CHIP	0.1uF	10% 25V	C1604	1-100-566-91	CERAMIC CHIP 0.1uF 10% 25V
C1355	1-104-662-91	ELECT	22uF	20% 25V	C1605	1-100-566-91	CERAMIC CHIP 0.1uF 10% 25V
C1358	1-100-566-91	CERAMIC CHIP	0.1uF	10% 25V	C1620	1-100-566-91	CERAMIC CHIP 0.1uF 10% 25V
C1359	1-126-916-11	ELECT	1000uF	20% 6.3V	C1905	1-100-566-91	CERAMIC CHIP 0.1uF 10% 25V
C1361	1-100-566-91	CERAMIC CHIP	0.1uF	10% 25V	C1906	1-126-925-91	ELECT 470uF 20% 10V
C1362	1-162-974-11	CERAMIC CHIP	0.01uF	50V	C1908	1-126-925-91	ELECT 470uF 20% 10V
C1401	1-100-566-91	CERAMIC CHIP	0.1uF	10% 25V	C1913	1-137-980-91	CERAMIC CHIP 0.47uF 10% 50V
C1402	1-126-947-11	ELECT	47uF	20% 35V	C1914	1-126-947-11	ELECT 47uF 20% 35V
C1403	1-126-964-11	ELECT	10uF	20% 50V			< CONNECTOR >
C1404	1-100-566-91	CERAMIC CHIP	0.1uF	10% 25V	* CNP505	1-564-510-11	PLUG, CONNECTOR 7P
C1405	1-100-566-91	CERAMIC CHIP	0.1uF	10% 25V	CNP506	1-691-767-11	PLUG (MICRO CONNECTOR) 5P
C1406	1-126-964-11	ELECT	10uF	20% 50V	CNS501	1-573-829-11	CONNECTOR, BOARD TO BOARD (RECEPTACLE) 15P
C1407	1-126-964-11	ELECT	10uF	20% 50V	CNS502	1-573-825-11	CONNECTOR, BOARD TO BOARD (RECEPTACLE) 11P
C1408	1-100-566-91	CERAMIC CHIP	0.1uF	10% 25V	CNS504	1-784-731-11	CONNECTOR, FFC 9P
C1409	1-162-970-11	CERAMIC CHIP	0.01uF	10% 25V	CNS507	1-568-828-11	CONNECTOR, FFC 9P (US, GND)
C1414	1-162-970-11	CERAMIC CHIP	0.01uF	10% 25V	CNS508	1-568-830-11	CONNECTOR, FFC 11P (AEP, UK)
C1415	1-162-970-11	CERAMIC CHIP	0.01uF	10% 25V	CNS509	1-784-774-11	CONNECTOR, FFC 13P (AEP, UK)
C1418	1-126-964-11	ELECT	10uF	20% 50V	CNS513	1-784-778-11	CONNECTOR, FFC 17P
C1428	1-126-964-11	ELECT	10uF	20% 50V			< DIODE >
C1438	1-126-964-11	ELECT	10uF	20% 50V	D1001	8-719-053-18	DIODE 1SR154-400TE-25
C1448	1-126-964-11	ELECT	10uF	20% 50V	D1003	8-719-049-09	DIODE 1SS367-T3SONY
C1450	1-100-566-91	CERAMIC CHIP	0.1uF	10% 25V	D1004	8-719-049-09	DIODE 1SS367-T3SONY
C1454	1-100-566-91	CERAMIC CHIP	0.1uF	10% 25V	D1107	8-719-404-50	DIODE MA111-TX
C1455	1-126-964-11	ELECT	10uF	20% 50V	D1108	8-719-404-50	DIODE MA111-TX
C1457	1-126-964-11	ELECT	10uF	20% 50V	D1109	8-719-404-50	DIODE MA111-TX
C1458	1-126-964-11	ELECT	10uF	20% 50V	D1110	8-719-404-50	DIODE MA111-TX
C1468	1-126-964-11	ELECT	10uF	20% 50V	D1111	8-719-404-50	DIODE MA111-TX
C1487	1-162-966-11	CERAMIC CHIP	0.0022uF	10% 50V	D1301	8-719-404-50	DIODE MA111-TX
C1491	1-126-964-11	ELECT	10uF	20% 50V	D1302	8-719-404-50	DIODE MA111-TX
C1494	1-100-566-91	CERAMIC CHIP	0.1uF	10% 25V	D1501	8-719-049-09	DIODE 1SS367-T3SONY
C1495	1-162-960-11	CERAMIC CHIP	220PF	10% 50V	D1502	8-719-049-09	DIODE 1SS367-T3SONY
C1501	1-100-566-91	CERAMIC CHIP	0.1uF	10% 25V	D1503	8-719-049-09	DIODE 1SS367-T3SONY
C1502	1-100-566-91	CERAMIC CHIP	0.1uF	10% 25V			< FERRITE BEAD >
C1503	1-100-566-91	CERAMIC CHIP	0.1uF	10% 25V	FB1101	1-400-862-11	BEAD, FERRITE
C1504	1-100-566-91	CERAMIC CHIP	0.1uF	10% 25V	FB1302	1-400-862-11	BEAD, FERRITE
C1505	1-100-566-91	CERAMIC CHIP	0.1uF	10% 25V			
C1506	1-100-566-91	CERAMIC CHIP	0.1uF	10% 25V			
C1507	1-100-566-91	CERAMIC CHIP	0.1uF	10% 25V			
C1508	1-100-566-91	CERAMIC CHIP	0.1uF	10% 25V			
C1509	1-100-566-91	CERAMIC CHIP	0.1uF	10% 25V			

STR-K790

DIGITAL

Ref. No.	Part No.	Description	Remark	Ref. No.	Part No.	Description	Remark
FB1305	1-400-862-11	BEAD, FERRITE		R1059	1-216-813-11	METAL CHIP 220	5% 1/10W (AEP, UK)
FB1308	1-400-862-11	BEAD, FERRITE		R1061	1-216-809-11	METAL CHIP 100	5% 1/10W
FB1310	1-400-862-11	BEAD, FERRITE		R1062	1-216-809-11	METAL CHIP 100	5% 1/10W
FB1350	1-400-862-11	BEAD, FERRITE		R1065	1-216-809-11	METAL CHIP 100	5% 1/10W
FB1403	1-400-862-11	BEAD, FERRITE		R1066	1-216-809-11	METAL CHIP 100	5% 1/10W
FB1405	1-400-862-11	BEAD, FERRITE		R1067	1-216-809-11	METAL CHIP 100	5% 1/10W
FB1452	1-400-862-11	BEAD, FERRITE		R1068	1-216-809-11	METAL CHIP 100	5% 1/10W
FB1453	1-400-862-11	BEAD, FERRITE		R1072	1-216-827-11	METAL CHIP 3.3K	5% 1/10W
FB1501	1-400-862-11	BEAD, FERRITE		R1073	1-216-827-11	METAL CHIP 3.3K	5% 1/10W
FB1502	1-400-862-11	BEAD, FERRITE		R1076	1-216-809-11	METAL CHIP 100	5% 1/10W
FB1503	1-400-862-11	BEAD, FERRITE		R1077	1-216-809-11	METAL CHIP 100	5% 1/10W
		< IC >		R1078	1-216-809-11	METAL CHIP 100	5% 1/10W
IC1001	8-759-231-53	IC TA7805S		R1083	1-216-833-11	METAL CHIP 10K	5% 1/10W
△IC1031	6-705-469-01	IC BA50BC0FP-E2		R1084	1-216-809-11	METAL CHIP 100	5% 1/10W
IC1101	6-807-154-01	IC MB90F045PF-G-9033-SPE1		R1088	1-216-833-11	METAL CHIP 10K	5% 1/10W
IC1111	6-702-913-01	IC S-80929CNMC-G8ZT2G		R1094	1-216-833-11	METAL CHIP 10K	5% 1/10W (US, CND)
IC1131	6-705-866-01	IC BR24L16FJ-WE2		R1095	1-216-833-11	METAL CHIP 10K	5% 1/10W (US, CND)
IC1301	8-759-825-15	IC LC89056W-E		R1096	1-216-833-11	METAL CHIP 10K	5% 1/10W
IC1303	8-759-096-87	IC TC7WU04FU (TE12R)		R1105	1-216-833-11	METAL CHIP 10K	5% 1/10W
IC1351	6-600-466-01	IC TORX147L (SONY) (DIGITAL/OPTICAL/VIDEO 2,BD IN)		R1106	1-216-809-11	METAL CHIP 100	5% 1/10W
IC1401	6-707-608-01	IC PCM1803DBR		R1107	1-216-825-11	METAL CHIP 2.2K	5% 1/10W
IC1452	6-708-784-01	IC PCM1602APT		R1108	1-216-825-11	METAL CHIP 2.2K	5% 1/10W
IC1502	6-709-278-01	IC IS61WV6416BLL-12TLI		R1110	1-216-825-11	METAL CHIP 2.2K	5% 1/10W
IC1503	8-759-546-74	IC TC7WH157FU (TE12R)		R1111	1-216-825-11	METAL CHIP 2.2K	5% 1/10W
△IC1901	6-707-168-01	IC SI-3008KWFE		R1112	1-216-809-11	METAL CHIP 100	5% 1/10W
△IC1902	8-759-231-56	IC TA7809S		R1114	1-216-825-11	METAL CHIP 2.2K	5% 1/10W
△IC1904	6-705-468-01	IC BA33BC0FP-E2		R1117	1-216-821-11	METAL CHIP 1K	5% 1/10W
IC1905	6-707-754-01	IC CXD9862R		R1118	1-216-821-11	METAL CHIP 1K	5% 1/10W
		< JACK >		R1120	1-216-821-11	METAL CHIP 1K	5% 1/10W
J1301	1-793-446-21	JACK, PIN 1P (DIGITAL/COAXIAL/DVD IN)		R1121	1-216-809-11	METAL CHIP 100	5% 1/10W
		< JUMPER RESISTOR >		R1122	1-216-809-11	METAL CHIP 100	5% 1/10W
JR1002	1-211-950-11	SHORT CHIP 0		R1123	1-216-809-11	METAL CHIP 100	5% 1/10W
JR1005	1-216-864-11	SHORT CHIP 0		R1124	1-216-809-11	METAL CHIP 100	5% 1/10W
JR1008	1-216-864-11	SHORT CHIP 0		R1125	1-216-809-11	METAL CHIP 100	5% 1/10W
JR1009	1-211-950-11	SHORT CHIP 0		R1126	1-216-809-11	METAL CHIP 100	5% 1/10W
JR1010	1-211-950-11	SHORT CHIP 0		R1127	1-216-809-11	METAL CHIP 100	5% 1/10W
JR1020	1-216-864-11	SHORT CHIP 0		R1128	1-216-809-11	METAL CHIP 100	5% 1/10W
JR1511	1-400-862-11	BEAD, FERRITE		R1129	1-216-809-11	METAL CHIP 100	5% 1/10W
		< RESISTOR >		R1134	1-216-809-11	METAL CHIP 100	5% 1/10W
R1010	1-216-809-11	METAL CHIP 100	5% 1/10W	R1135	1-216-809-11	METAL CHIP 100	5% 1/10W
R1011	1-216-809-11	METAL CHIP 100	5% 1/10W	R1140	1-216-809-11	METAL CHIP 100	5% 1/10W
R1012	1-216-809-11	METAL CHIP 100	5% 1/10W	R1143	1-216-809-11	METAL CHIP 100	5% 1/10W
R1013	1-216-809-11	METAL CHIP 100	5% 1/10W	R1144	1-216-809-11	METAL CHIP 100	5% 1/10W
R1014	1-216-809-11	METAL CHIP 100	5% 1/10W	R1150	1-216-809-11	METAL CHIP 100	5% 1/10W
R1015	1-216-809-11	METAL CHIP 100	5% 1/10W	R1151	1-216-809-11	METAL CHIP 100	5% 1/10W
R1035	1-216-825-11	METAL CHIP 2.2K	5% 1/10W	R1152	1-216-809-11	METAL CHIP 100	5% 1/10W
R1039	1-216-833-11	METAL CHIP 10K	5% 1/10W	R1153	1-216-809-11	METAL CHIP 100	5% 1/10W
R1041	1-216-809-11	METAL CHIP 100	5% 1/10W	R1154	1-216-809-11	METAL CHIP 100	5% 1/10W
R1042	1-216-809-11	METAL CHIP 100	5% 1/10W	R1156	1-216-864-11	SHORT CHIP 0	
R1049	1-216-833-11	METAL CHIP 10K	5% 1/10W	R1157	1-216-864-11	SHORT CHIP 0	
R1058	1-216-813-11	METAL CHIP 220	5% 1/10W (AEP, UK)	R1159	1-216-827-11	METAL CHIP 3.3K	5% 1/10W
				R1160	1-216-809-11	METAL CHIP 100	5% 1/10W
				R1161	1-216-809-11	METAL CHIP 100	5% 1/10W
				R1164	1-216-864-11	SHORT CHIP 0	
				R1175	1-216-809-11	METAL CHIP 100	5% 1/10W

Ref. No.	Part No.	Description			Remark	Ref. No.	Part No.	Description			Remark
R1179	1-216-833-11	METAL CHIP	10K	5%	1/10W	R1411	1-216-817-11	METAL CHIP	470	5%	1/10W
R1180	1-216-833-11	METAL CHIP	10K	5%	1/10W	R1425	1-216-864-11	SHORT CHIP	0		
R1181	1-216-833-11	METAL CHIP	10K	5%	1/10W						
R1182	1-216-833-11	METAL CHIP	10K	5%	1/10W	R1426	1-216-821-11	METAL CHIP	1K	5%	1/10W
R1183	1-216-833-11	METAL CHIP	10K	5%	1/10W	R1435	1-216-864-11	SHORT CHIP	0		
R1184	1-216-833-11	METAL CHIP	10K	5%	1/10W	R1436	1-216-821-11	METAL CHIP	1K	5%	1/10W
R1185	1-216-833-11	METAL CHIP	10K	5%	1/10W	R1445	1-216-864-11	SHORT CHIP	0		
R1186	1-216-833-11	METAL CHIP	10K	5%	1/10W	R1446	1-216-821-11	METAL CHIP	1K	5%	1/10W
R1187	1-216-833-11	METAL CHIP	10K	5%	1/10W						
R1188	1-216-833-11	METAL CHIP	10K	5%	1/10W	R1460	1-216-864-11	SHORT CHIP	0		
R1189	1-216-833-11	METAL CHIP	10K	5%	1/10W	R1461	1-216-864-11	SHORT CHIP	0		
R1190	1-216-833-11	METAL CHIP	10K	5%	1/10W	R1464	1-216-864-11	SHORT CHIP	0		
R1191	1-216-833-11	METAL CHIP	10K	5%	1/10W	R1466	1-216-821-11	METAL CHIP	1K	5%	1/10W
R1192	1-216-833-11	METAL CHIP	10K	5%	1/10W	R1469	1-216-809-11	METAL CHIP	100	5%	1/10W
R1193	1-216-841-11	METAL CHIP	47K	5%	1/10W (AEP, UK)						
R1194	1-216-825-11	METAL CHIP	2.2K	5%	1/10W (AEP, UK)	R1470	1-216-864-11	SHORT CHIP	0		
R1194	1-216-864-11	SHORT CHIP	0 (US, CND)			R1471	1-216-864-11	SHORT CHIP	0		
R1201	1-216-837-11	METAL CHIP	22K	5%	1/10W	R1472	1-216-864-11	SHORT CHIP	0		
R1253	1-216-833-11	METAL CHIP	10K	5%	1/10W	R1474	1-216-833-11	METAL CHIP	10K	5%	1/10W
R1260	1-216-821-11	METAL CHIP	1K	5%	1/10W	R1475	1-216-864-11	SHORT CHIP	0		
R1261	1-216-821-11	METAL CHIP	1K	5%	1/10W						
R1301	1-216-830-11	METAL CHIP	5.6K	5%	1/10W	R1476	1-216-821-11	METAL CHIP	1K	5%	1/10W
R1302	1-216-829-11	METAL CHIP	4.7K	5%	1/10W	R1484	1-216-864-11	SHORT CHIP	0		
R1303	1-216-839-11	METAL CHIP	33K	5%	1/10W	R1486	1-216-821-11	METAL CHIP	1K	5%	1/10W
R1304	1-216-809-11	METAL CHIP	100	5%	1/10W	R1491	1-216-864-11	SHORT CHIP	0		
R1305	1-216-819-11	METAL CHIP	680	5%	1/10W	R1492	1-216-864-11	SHORT CHIP	0		
R1306	1-216-801-11	METAL CHIP	22	5%	1/10W						
R1307	1-216-809-11	METAL CHIP	100	5%	1/10W	R1493	1-216-864-11	SHORT CHIP	0		
R1308	1-216-809-11	METAL CHIP	100	5%	1/10W	R1494	1-216-864-11	SHORT CHIP	0		
R1309	1-216-809-11	METAL CHIP	100	5%	1/10W	R1495	1-216-864-11	SHORT CHIP	0		
R1310	1-216-857-11	METAL CHIP	1M	5%	1/10W	R1501	1-216-809-11	METAL CHIP	100	5%	1/10W
R1311	1-216-809-11	METAL CHIP	100	5%	1/10W	R1502	1-216-809-11	METAL CHIP	100	5%	1/10W
R1312	1-216-809-11	METAL CHIP	100	5%	1/10W						
R1313	1-216-809-11	METAL CHIP	100	5%	1/10W	R1503	1-216-813-11	METAL CHIP	220	5%	1/10W
R1314	1-216-833-11	METAL CHIP	10K	5%	1/10W	R1504	1-216-809-11	METAL CHIP	100	5%	1/10W
R1318	1-216-833-11	METAL CHIP	10K	5%	1/10W	R1505	1-216-809-11	METAL CHIP	100	5%	1/10W
R1319	1-216-864-11	SHORT CHIP	0			R1506	1-216-809-11	METAL CHIP	100	5%	1/10W
R1321	1-216-864-11	SHORT CHIP	0			R1508	1-216-809-11	METAL CHIP	100	5%	1/10W
R1323	1-216-833-11	METAL CHIP	10K	5%	1/10W						
R1325	1-216-864-11	SHORT CHIP	0			R1509	1-216-809-11	METAL CHIP	100	5%	1/10W
R1351	1-216-809-11	METAL CHIP	100	5%	1/10W	R1510	1-216-809-11	METAL CHIP	100	5%	1/10W
R1355	1-218-285-11	METAL CHIP	75	5%	1/10W	R1511	1-216-809-11	METAL CHIP	100	5%	1/10W
R1356	1-216-817-11	METAL CHIP	470	5%	1/10W	R1512	1-216-833-11	METAL CHIP	10K	5%	1/10W
R1357	1-216-841-11	METAL CHIP	47K	5%	1/10W	R1513	1-216-833-11	METAL CHIP	10K	5%	1/10W
R1359	1-216-809-11	METAL CHIP	100	5%	1/10W						
R1360	1-216-809-11	METAL CHIP	100	5%	1/10W	R1514	1-216-833-11	METAL CHIP	10K	5%	1/10W
R1400	1-216-864-11	SHORT CHIP	0			R1515	1-216-857-11	METAL CHIP	1M	5%	1/10W
R1401	1-216-809-11	METAL CHIP	100	5%	1/10W	R1523	1-216-813-11	METAL CHIP	220	5%	1/10W
R1403	1-216-864-11	SHORT CHIP	0			R1524	1-216-864-11	SHORT CHIP	0		
R1404	1-216-864-11	SHORT CHIP	0			R1530	1-216-845-11	METAL CHIP	100K	5%	1/10W
R1405	1-216-864-11	SHORT CHIP	0								
R1406	1-216-864-11	SHORT CHIP	0			R1541	1-216-813-11	METAL CHIP	220	5%	1/10W
R1407	1-216-809-11	METAL CHIP	100	5%	1/10W	R1555	1-216-813-11	METAL CHIP	220	5%	1/10W
R1408	1-216-864-11	SHORT CHIP	0			R1556	1-216-809-11	METAL CHIP	100	5%	1/10W
R1409	1-216-864-11	SHORT CHIP	0			R1557	1-216-813-11	METAL CHIP	220	5%	1/10W
R1410	1-216-817-11	METAL CHIP	470	5%	1/10W	R1570	1-216-833-11	METAL CHIP	10K	5%	1/10W
						R1571	1-216-833-11	METAL CHIP	10K	5%	1/10W
						R1572	1-216-833-11	METAL CHIP	10K	5%	1/10W
						R1573	1-216-833-11	METAL CHIP	10K	5%	1/10W
						R1574	1-216-833-11	METAL CHIP	10K	5%	1/10W
						R1635	1-216-833-11	METAL CHIP	10K	5%	1/10W
						R1636	1-216-833-11	METAL CHIP	10K	5%	1/10W
						R1943	1-216-841-11	METAL CHIP	47K	5%	1/10W
						R1946	1-216-809-11	METAL CHIP	100	5%	1/10W
						R1947	1-216-801-11	METAL CHIP	22	5%	1/10W
						R1948	1-216-809-11	METAL CHIP	100	5%	1/10W

STR-K790

DIGITAL **DISPLAY** **HDMI SW**

Ref. No.	Part No.	Description	Remark
< NETWORK RESISTOR >			
RB1500	1-233-576-11	RES, CHIP NETWORK	100 (3216)
RB1501	1-233-576-11	RES, CHIP NETWORK	100 (3216)
RB1502	1-233-576-11	RES, CHIP NETWORK	100 (3216)
RB1503	1-233-576-11	RES, CHIP NETWORK	100 (3216)
RB1504	1-233-576-11	RES, CHIP NETWORK	100 (3216)
RB1506	1-233-576-11	RES, CHIP NETWORK	100 (3216)
RB1507	1-233-576-11	RES, CHIP NETWORK	100 (3216)
RB1508	1-233-576-11	RES, CHIP NETWORK	100 (3216)
< VIBRATOR >			
X1101	1-813-448-21	PIEZOELECTRIC OSCILLATOR (24MHZ)	
X1301	1-795-126-21	VIBRATOR, CRYSTAL (12.288MHZ)	
X1502	1-813-276-21	QUARTZ CRYSTAL (13.9MHZ)	

A-1221-225-A	DISPLAY BOARD, COMPLETE (US, CND)		
A-1221-226-A	DISPLAY BOARD, COMPLETE (AEP, UK)		

< CAPACITOR >			
C100	1-127-888-11	CERAMIC	0.1uF 10% 50V
C101	1-127-888-11	CERAMIC	0.1uF 10% 50V
C106	1-127-868-11	CERAMIC	2200PF 10% 50V
C107	1-127-868-11	CERAMIC	2200PF 10% 50V
C110	1-162-286-31	CERAMIC	220PF 10% 50V
C111	1-162-286-31	CERAMIC	220PF 10% 50V
C112	1-162-286-31	CERAMIC	220PF 10% 50V
C144	1-127-888-11	CERAMIC	0.1uF 10% 50V
C145	1-127-888-11	CERAMIC	0.1uF 10% 50V
C146	1-126-964-11	ELECT	10uF 20% 50V
C147	1-162-286-31	CERAMIC	220PF 10% 50V
C148	1-162-286-31	CERAMIC	220PF 10% 50V
C149	1-162-286-31	CERAMIC	220PF 10% 50V
C150	1-127-888-11	CERAMIC	0.1uF 10% 50V
C151	1-127-888-11	CERAMIC	0.1uF 10% 50V
C152	1-127-888-11	CERAMIC	0.1uF 10% 50V
C161	1-126-964-11	ELECT	10uF 20% 50V
< CONNECTOR >			
CNP102	1-564-505-11	PLUG, CONNECTOR 2P	
CNS102	1-784-778-11	CONNECTOR, FFC 17P	
< FLUORESCENT INDICATOR TUBE >			
FL101	1-519-927-11	VACUUM FLOURESCENT DISPLAY	
< IC >			
IC100	8-759-643-83	IC uPD16315GB-3BS	
IC101	8-759-243-51	IC TC74ACT08P	
IC102	6-600-174-01	IC RPM7240-H4	
< RESISTOR >			
R103	1-249-409-11	CARBON	220 5% 1/4W
R115	1-247-807-31	CARBON	100 5% 1/4W
R116	1-247-807-31	CARBON	100 5% 1/4W
R117	1-247-807-31	CARBON	100 5% 1/4W
R118	1-249-440-11	CARBON	82K 5% 1/4W

Ref. No.	Part No.	Description	Remark
R119	1-247-807-31	CARBON	100 5% 1/4W
△ R121	1-249-393-11	CARBON	10 5% 1/4W F
△ R198	1-249-385-11	CARBON	2.2 5% 1/4W F
△ R199	1-249-385-11	CARBON	2.2 5% 1/4W F
< VARIABLE RESISTOR >			
RV101	1-418-817-21	ENCODER, ROTARY	
RV102	1-418-725-41	ENCODER, ROTARY (12 TYPE)	
< SWITCH >			
S103	1-771-410-21	SWITCH, TACTILE (AUTO CAL)	
S104	1-771-410-21	SWITCH, TACTILE (DISPLAY)	

A-1158-394-A	HDMI SW BOARD, COMPLETE (AEP, UK)		

< CAPACITOR >			
C5001	1-107-826-11	CERAMIC CHIP	0.1uF 10% 16V
C5002	1-162-970-11	CERAMIC CHIP	0.01uF 10% 25V
C5003	1-162-970-11	CERAMIC CHIP	0.01uF 10% 25V
C5004	1-162-970-11	CERAMIC CHIP	0.01uF 10% 25V
C5005	1-162-970-11	CERAMIC CHIP	0.01uF 10% 25V
C5006	1-162-970-11	CERAMIC CHIP	0.01uF 10% 25V
C5007	1-162-970-11	CERAMIC CHIP	0.01uF 10% 25V
C5008	1-162-970-11	CERAMIC CHIP	0.01uF 10% 25V
C5009	1-162-970-11	CERAMIC CHIP	0.01uF 10% 25V
C5010	1-162-970-11	CERAMIC CHIP	0.01uF 10% 25V
C5011	1-162-970-11	CERAMIC CHIP	0.01uF 10% 25V
C5012	1-112-788-11	ELECT CHIP	330uF 20% 6.3V
C5013	1-128-934-91	CERAMIC CHIP	0.33uF 20% 10V
C5014	1-112-788-11	ELECT CHIP	330uF 20% 6.3V
C5015	1-128-994-21	ELECT CHIP	47uF 20% 10V
C5016	1-162-970-11	CERAMIC CHIP	0.01uF 10% 25V
C5017	1-115-467-11	CERAMIC CHIP	0.22uF 10% 10V
C5018	1-115-467-11	CERAMIC CHIP	0.22uF 10% 10V
C5019	1-107-826-11	CERAMIC CHIP	0.1uF 10% 16V
C5020	1-107-826-11	CERAMIC CHIP	0.1uF 10% 16V
C5021	1-117-681-11	ELECT CHIP	100uF 20% 16V
C5022	1-162-970-11	CERAMIC CHIP	0.01uF 10% 25V
C5023	1-162-970-11	CERAMIC CHIP	0.01uF 10% 25V
C5024	1-128-934-91	CERAMIC CHIP	0.33uF 20% 10V
C5027	1-128-994-21	ELECT CHIP	47uF 20% 10V
< CONNECTOR >			
CN5001	1-820-735-11	HDMI CONNECTOR (HDMI/DVD IN)	
CN5002	1-820-735-11	HDMI CONNECTOR (HDMI/VIDEO 2/BD IN)	
CN5003	1-820-735-11	HDMI CONNECTOR (HDMI/OUT)	
* CN5004	1-770-470-21	PIN, CONNECTOR (PC BOARD) 6P	
< IC >			
IC5001	6-709-221-01	IC TMDS341PFCR	
IC5002	6-705-337-01	IC TK11150CSCL-G	
IC5003	6-705-468-01	IC BA33BC0FP-E2	
IC5004	6-704-099-01	IC TC7WZ08FK (TE85R)	
IC5005	6-707-207-01	IC SN74LVC1G3157DCKR	
IC5006	6-706-740-01	IC BA00BC0WFP-E2	

HDMI SW HDMI_BRIDGE HEADPHONE MAIN

Ref. No.	Part No.	Description	Remark
		< COIL >	
L5013	1-400-862-11	BEAD, FERRITE	
		< RESISTOR >	
R5001	1-218-861-11	METAL CHIP 3.9K	0.5% 1/10W
R5002	1-218-844-11	METAL CHIP 750	0.5% 1/10W
R5003	1-216-833-11	METAL CHIP 10K	5% 1/10W
R5004	1-216-864-11	SHORT CHIP	0
R5005	1-216-864-11	SHORT CHIP	0
R5006	1-216-864-11	SHORT CHIP	0
R5007	1-216-864-11	SHORT CHIP	0
R5008	1-216-864-11	SHORT CHIP	0
R5009	1-216-864-11	SHORT CHIP	0
R5010	1-216-864-11	SHORT CHIP	0
R5011	1-216-864-11	SHORT CHIP	0
R5014	1-216-864-11	SHORT CHIP	0
R5015	1-216-821-11	METAL CHIP 1K	5% 1/10W
R5016	1-216-864-11	SHORT CHIP	0
R5017	1-216-864-11	SHORT CHIP	0
R5018	1-216-821-11	METAL CHIP 1K	5% 1/10W
R5019	1-216-864-11	SHORT CHIP	0
R5020	1-216-864-11	SHORT CHIP	0
R5022	1-216-833-11	METAL CHIP 10K	5% 1/10W
R5024	1-216-864-11	SHORT CHIP	0
R5025	1-216-864-11	SHORT CHIP	0
R5026	1-216-809-11	METAL CHIP 100	5% 1/10W
R5027	1-216-833-11	METAL CHIP 10K	5% 1/10W
R5028	1-216-833-11	METAL CHIP 10K	5% 1/10W
R5029	1-216-841-11	METAL CHIP 47K	5% 1/10W
R5030	1-216-833-11	METAL CHIP 10K	5% 1/10W
R5042	1-216-829-11	METAL CHIP 4.7K	5% 1/10W
R5043	1-216-829-11	METAL CHIP 4.7K	5% 1/10W
R5047	1-216-864-11	SHORT CHIP	0
R5048	1-216-864-11	SHORT CHIP	0
R5049	1-216-864-11	SHORT CHIP	0
R5050	1-216-821-11	METAL CHIP 1K	5% 1/10W
R5051	1-216-823-11	METAL CHIP 1.5K	5% 1/10W
R5052	1-216-841-11	METAL CHIP 47K	5% 1/10W
R5053	1-216-825-11	METAL CHIP 2.2K	5% 1/10W
R5054	1-216-833-11	METAL CHIP 10K	5% 1/10W
R5055	1-216-833-11	METAL CHIP 10K	5% 1/10W
R5056	1-216-821-11	METAL CHIP 1K	5% 1/10W
R5060	1-216-864-11	SHORT CHIP	0
R5061	1-216-864-11	SHORT CHIP	0
R5068	1-216-845-11	METAL CHIP 100K	5% 1/10W
R5069	1-216-845-11	METAL CHIP 100K	5% 1/10W
R5072	1-216-809-11	METAL CHIP 100	5% 1/10W
R5073	1-216-864-11	SHORT CHIP	0
R5074	1-216-825-11	METAL CHIP 2.2K	5% 1/10W

		HDMI_BRIDGE BOARD (AEP, UK)	

		< CONNECTOR >	
CNS199	1-784-774-11	CONNECTOR, FFC 13P	

Ref. No.	Part No.	Description	Remark
		HEADPHONE BOARD	

		< CONNECTOR >	
* GNP790	1-564-507-11	PLUG, CONNECTOR 4P	
		< JACK >	
J790	1-815-314-21	JACK (PHONES)	

	A-1221-171-A	MAIN BOARD, COMPLETE (US, CND)	
	A-1221-172-A	MAIN BOARD, COMPLETE (AEP, UK)	

	7-685-646-79	SCREW +BVTP 3X8 TYPE2 IT-3	
		< CAPACITOR >	
C402	1-126-964-11	ELECT 10uF	20% 50V
C403	1-162-294-31	CERAMIC 0.001uF	10% 50V
C404	1-162-294-31	CERAMIC 0.001uF	10% 50V
C421	1-126-963-11	ELECT 4.7uF	20% 50V
C422	1-126-963-11	ELECT 4.7uF	20% 50V
C423	1-126-963-11	ELECT 4.7uF	20% 50V
C424	1-126-963-11	ELECT 4.7uF	20% 50V
C425	1-126-963-11	ELECT 4.7uF	20% 50V
C426	1-126-963-11	ELECT 4.7uF	20% 50V
C431	1-126-964-11	ELECT 10uF	20% 50V
C432	1-126-964-11	ELECT 10uF	20% 50V
C433	1-126-964-11	ELECT 10uF	20% 50V
C434	1-126-964-11	ELECT 10uF	20% 50V
C435	1-126-964-11	ELECT 10uF	20% 50V
C436	1-126-964-11	ELECT 10uF	20% 50V
C446	1-126-963-11	ELECT 4.7uF	20% 50V
C452	1-126-964-11	ELECT 10uF	20% 50V
C471	1-104-658-91	ELECT 100uF	20% 10V
C472	1-127-888-11	CERAMIC 0.1uF	10% 50V
C482	1-127-888-11	CERAMIC 0.1uF	10% 50V
C484	1-127-888-11	CERAMIC 0.1uF	10% 50V
C500	1-128-579-11	ELECT 2.2uF	20% 100V
C501	1-126-963-11	ELECT 4.7uF	20% 50V
C502	1-128-809-11	CERAMIC 100PF	5% 50V
C503	1-128-809-11	CERAMIC 100PF	5% 50V
C504	1-101-810-00	CERAMIC 100PF	5% 500V
C506	1-107-583-11	CERAMIC 3PF	0.25PF 500V
C507	1-104-658-91	ELECT 100uF	20% 10V
C508	1-126-947-11	ELECT 47uF	20% 35V
C511	1-162-815-11	CERAMIC 47PF	5% 500V
C512	1-162-815-11	CERAMIC 47PF	5% 500V
C513	1-128-813-11	CERAMIC 220PF	5% 50V
C514	1-127-876-11	CERAMIC 0.01uF	10% 50V
C515	1-126-964-11	ELECT 10uF	20% 50V
C516	1-136-157-00	FILM 0.022uF	5% 50V
C529	1-127-876-11	CERAMIC 0.01uF	10% 50V
C549	1-127-876-11	CERAMIC 0.01uF	10% 50V
C551	1-126-963-11	ELECT 4.7uF	20% 50V
C552	1-128-809-11	CERAMIC 100PF	5% 50V
C553	1-128-809-11	CERAMIC 100PF	5% 50V
C554	1-101-810-00	CERAMIC 100PF	5% 500V

STR-K790

MAIN

Ref. No.	Part No.	Description	Remark			Ref. No.	Part No.	Description	Remark		
C556	1-107-583-11	CERAMIC	3PF	0.25PF	500V	C754	1-101-810-00	CERAMIC	100PF	5%	500V
C557	1-104-658-91	ELECT	100uF	20%	10V	C756	1-107-583-11	CERAMIC	3PF	0.25PF	500V
C558	1-126-947-11	ELECT	47uF	20%	35V	C757	1-104-658-91	ELECT	100uF	20%	10V
C561	1-162-815-11	CERAMIC	47PF	5%	500V	C758	1-126-947-11	ELECT	47uF	20%	35V
C562	1-162-815-11	CERAMIC	47PF	5%	500V	C761	1-162-815-11	CERAMIC	47PF	5%	500V
C563	1-128-813-11	CERAMIC	220PF	5%	50V	C762	1-162-815-11	CERAMIC	47PF	5%	500V
C564	1-127-876-11	CERAMIC	0.01uF	10%	50V	C763	1-128-813-11	CERAMIC	220PF	5%	50V
C565	1-126-964-11	ELECT	10uF	20%	50V	C766	1-136-157-00	FILM	0.022uF	5%	50V
C566	1-136-157-00	FILM	0.022uF	5%	50V	C801	1-135-798-11	CERAMIC	0.22uF		50V
C590	1-136-171-00	FILM	0.33uF	5%	50V	C802	1-135-798-11	CERAMIC	0.22uF		50V
C592	1-136-175-00	FILM	0.68uF	5%	50V	C803	1-126-936-11	ELECT	3300uF	20%	16V
C593	1-136-159-00	FILM	0.033uF	5%	50V	C806	1-126-947-11	ELECT	47uF	20%	35V
C594	1-136-171-00	FILM	0.33uF	5%	50V	C807	1-126-947-11	ELECT	47uF	20%	35V
C600	1-128-579-11	ELECT	2.2uF	20%	100V	C808	1-126-947-11	ELECT	47uF	20%	35V
C601	1-126-963-11	ELECT	4.7uF	20%	50V	C811	1-135-851-21	MYLAR	0.22uF		100V
C602	1-128-809-11	CERAMIC	100PF	5%	50V	C812	1-135-851-21	MYLAR	0.22uF		100V
C603	1-128-809-11	CERAMIC	100PF	5%	50V	C813	1-100-968-11	ELECT	4700uF	20%	63V
C604	1-101-810-00	CERAMIC	100PF	5%	500V	C814	1-100-968-11	ELECT	4700uF	20%	63V
C606	1-107-583-11	CERAMIC	3PF	0.25PF	500V	C815	1-128-582-11	ELECT	10uF	20%	100V
C607	1-104-658-91	ELECT	100uF	20%	10V	C816	1-128-582-11	ELECT	10uF	20%	100V
C608	1-126-947-11	ELECT	47uF	20%	35V	C821	1-137-194-81	FILM	0.47uF	5%	50V
C611	1-162-815-11	CERAMIC	47PF	5%	500V	C822	1-137-194-81	FILM	0.47uF	5%	50V
C612	1-162-815-11	CERAMIC	47PF	5%	500V	C823	1-126-947-11	ELECT	47uF	20%	35V
C613	1-128-813-11	CERAMIC	220PF	5%	50V	C824	1-126-947-11	ELECT	47uF	20%	35V
C614	1-127-876-11	CERAMIC	0.01uF	10%	50V	C842	1-112-128-11	ELECT	47uF	20%	25V
C615	1-126-964-11	ELECT	10uF	20%	50V	C851	1-127-888-11	CERAMIC	0.1uF	10%	50V
C616	1-136-157-00	FILM	0.022uF	5%	50V	C881	1-126-925-91	ELECT	470uF	20%	10V
C651	1-126-963-11	ELECT	4.7uF	20%	50V	C882	1-126-964-11	ELECT	10uF	20%	50V
C652	1-128-809-11	CERAMIC	100PF	5%	50V			< CAPACITOR >			
C653	1-128-809-11	CERAMIC	100PF	5%	50V	CC01	1-128-809-11	CERAMIC	100PF	5%	50V
C654	1-101-810-00	CERAMIC	100PF	5%	500V						(AEP, UK)
C656	1-107-583-11	CERAMIC	3PF	0.25PF	500V	CC02	1-128-809-11	CERAMIC	100PF	5%	50V
C657	1-104-658-91	ELECT	100uF	20%	10V						(AEP, UK)
C658	1-126-947-11	ELECT	47uF	20%	35V	CC03	1-128-809-11	CERAMIC	100PF	5%	50V
C661	1-162-815-11	CERAMIC	47PF	5%	500V						(AEP, UK)
C662	1-162-815-11	CERAMIC	47PF	5%	500V	CC04	1-128-809-11	CERAMIC	100PF	5%	50V
C663	1-128-813-11	CERAMIC	220PF	5%	50V						(AEP, UK)
C664	1-127-876-11	CERAMIC	0.01uF	10%	50V	CC11	1-127-876-11	CERAMIC	0.01uF	10%	50V
C665	1-126-964-11	ELECT	10uF	20%	50V						(AEP, UK)
C666	1-136-157-00	FILM	0.022uF	5%	50V	CC12	1-127-876-11	CERAMIC	0.01uF	10%	50V
C700	1-128-579-11	ELECT	2.2uF	20%	100V						(AEP, UK)
C701	1-126-963-11	ELECT	4.7uF	20%	50V	CC13	1-127-876-11	CERAMIC	0.01uF	10%	50V
C702	1-128-809-11	CERAMIC	100PF	5%	50V						(AEP, UK)
C703	1-128-809-11	CERAMIC	100PF	5%	50V	CC14	1-127-876-11	CERAMIC	0.01uF	10%	50V
C704	1-101-810-00	CERAMIC	100PF	5%	500V						(AEP, UK)
C706	1-107-583-11	CERAMIC	3PF	0.25PF	500V	CC15	1-127-876-11	CERAMIC	0.01uF	10%	50V
C707	1-104-658-91	ELECT	100uF	20%	10V						(AEP, UK)
C708	1-126-947-11	ELECT	47uF	20%	35V	CC16	1-127-876-11	CERAMIC	0.01uF	10%	50V
C711	1-162-815-11	CERAMIC	47PF	5%	500V						(AEP, UK)
C712	1-162-815-11	CERAMIC	47PF	5%	500V	CC51	1-128-809-11	CERAMIC	100PF	5%	50V
C713	1-128-813-11	CERAMIC	220PF	5%	50V						(AEP, UK)
C714	1-127-876-11	CERAMIC	0.01uF	10%	50V	CC52	1-128-809-11	CERAMIC	100PF	5%	50V
C715	1-126-964-11	ELECT	10uF	20%	50V						(AEP, UK)
C716	1-136-157-00	FILM	0.022uF	5%	50V	CC53	1-128-809-11	CERAMIC	100PF	5%	50V
C729	1-127-876-11	CERAMIC	0.01uF	10%	50V						(AEP, UK)
C751	1-126-963-11	ELECT	4.7uF	20%	50V	CC54	1-128-809-11	CERAMIC	100PF	5%	50V
C752	1-128-809-11	CERAMIC	100PF	5%	50V						(AEP, UK)
C753	1-128-809-11	CERAMIC	100PF	5%	50V						

Ref. No.	Part No.	Description	Remark	Ref. No.	Part No.	Description	Remark
		< CONNECTOR >				< JACK >	
CNP501	1-573-847-11	CONNECTOR, BOARD TO BOARD (PLUG) 15P		J400	1-774-411-11	JACK, PIN 6P (SAT/AUDIO IN,TV/AUDIO IN/SA-CD/CD/AUDIO IN)	
CNP502	1-573-843-11	CONNECTOR, BOARD TO BOARD (PLUG) 11P				< TRANSISTOR >	
* CNP504	1-564-508-11	PLUG, CONNECTOR 5P					
* CNP732	1-564-506-11	PLUG, CONNECTOR 3P					
CNP733	1-779-978-11	PIN, CONNECTOR 3P					
CNP902	1-691-767-11	PLUG (MICRO CONNECTOR) 5P		Q471	8-729-922-37	TRANSISTOR	2SD2144S-UVW
* CNP907	1-564-104-00	PIN, CONNECTOR (3.96mm PITCH) 3P		Q501	8-729-119-76	TRANSISTOR	2SA1175-HFE
* CNP908	1-564-506-11	PLUG, CONNECTOR 3P		Q502	8-729-141-30	TRANSISTOR	2SC3623A-LK
* CNP916	1-691-408-11	CONNECTOR, BOARD TO BOARD 7P		Q505	8-729-042-09	TRANSISTOR	2SA1038S-RSE-TP
		< DIODE >		Q506	8-729-042-09	TRANSISTOR	2SA1038S-RSE-TP
D448	8-719-991-33	DIODE 1SS133T-77		Q507	8-729-281-53	TRANSISTOR	2SC1815-GR
D449	8-719-991-33	DIODE 1SS133T-77		Q509	8-729-119-78	TRANSISTOR	2SC2785-HFE
D501	8-719-991-33	DIODE 1SS133T-77		Q551	8-729-119-76	TRANSISTOR	2SA1175-HFE
D502	8-719-991-33	DIODE 1SS133T-77		Q552	8-729-141-30	TRANSISTOR	2SC3623A-LK
D529	8-719-991-33	DIODE 1SS133T-77		Q555	8-729-042-09	TRANSISTOR	2SA1038S-RSE-TP
D549	8-719-991-33	DIODE 1SS133T-77		Q556	8-729-042-09	TRANSISTOR	2SA1038S-RSE-TP
D551	8-719-991-33	DIODE 1SS133T-77		Q557	8-729-281-53	TRANSISTOR	2SC1815-GR
D552	8-719-991-33	DIODE 1SS133T-77		Q601	8-729-119-76	TRANSISTOR	2SA1175-HFE
D553	8-719-991-33	DIODE 1SS133T-77		Q602	8-729-141-30	TRANSISTOR	2SC3623A-LK
D601	8-719-991-33	DIODE 1SS133T-77		Q605	8-729-042-09	TRANSISTOR	2SA1038S-RSE-TP
D602	8-719-991-33	DIODE 1SS133T-77		Q606	8-729-042-09	TRANSISTOR	2SA1038S-RSE-TP
D603	8-719-991-33	DIODE 1SS133T-77		Q607	8-729-281-53	TRANSISTOR	2SC1815-GR
D651	8-719-991-33	DIODE 1SS133T-77		Q608	8-729-119-78	TRANSISTOR	2SC2785-HFE
D652	8-719-991-33	DIODE 1SS133T-77		Q651	8-729-119-76	TRANSISTOR	2SA1175-HFE
D701	8-719-991-33	DIODE 1SS133T-77		Q652	8-729-141-30	TRANSISTOR	2SC3623A-LK
D702	8-719-991-33	DIODE 1SS133T-77		Q655	8-729-042-09	TRANSISTOR	2SA1038S-RSE-TP
D703	8-719-991-33	DIODE 1SS133T-77		Q656	8-729-042-09	TRANSISTOR	2SA1038S-RSE-TP
D729	8-719-991-33	DIODE 1SS133T-77		Q657	8-729-281-53	TRANSISTOR	2SC1815-GR
D751	8-719-991-33	DIODE 1SS133T-77		Q701	8-729-119-76	TRANSISTOR	2SA1175-HFE
D791	8-719-991-33	DIODE 1SS133T-77		Q702	8-729-141-30	TRANSISTOR	2SC3623A-LK
△ D801	8-719-986-50	DIODE HZS22-1LTA		Q705	8-729-042-09	TRANSISTOR	2SA1038S-RSE-TP
D802	8-719-068-24	DIODE HZ5.6BP-TK		Q706	8-729-042-09	TRANSISTOR	2SA1038S-RSE-TP
△ D804	6-500-522-11	DIODE 10EDB40-TA2B5		Q707	8-729-281-53	TRANSISTOR	2SC1815-GR
△ D805	6-500-522-11	DIODE 10EDB40-TA2B5		Q708	8-729-119-78	TRANSISTOR	2SC2785-HFE
△ D806	6-500-522-11	DIODE 10EDB40-TA2B5		Q751	8-729-119-76	TRANSISTOR	2SA1175-HFE
△ D807	6-500-522-11	DIODE 10EDB40-TA2B5		Q752	8-729-141-30	TRANSISTOR	2SC3623A-LK
△ D811	8-719-072-05	DIODE RBV-602LF-A		Q755	8-729-042-09	TRANSISTOR	2SA1038S-RSE-TP
△ D821	8-719-043-76	DIODE AK04V0		Q756	8-729-042-09	TRANSISTOR	2SA1038S-RSE-TP
D841	8-719-921-48	DIODE MTZJ-5.6C		△ Q801	8-729-140-97	TRANSISTOR	2SB734-34
D851	8-719-991-33	DIODE 1SS133T-77		Q851	8-729-281-53	TRANSISTOR	2SC1815-GR
D881	8-719-991-33	DIODE 1SS133T-77		Q852	8-729-029-40	TRANSISTOR	DTA124ESA
D882	8-719-991-33	DIODE 1SS133T-77		Q881	8-729-042-09	TRANSISTOR	2SA1038S-RSE-TP
D883	8-719-991-33	DIODE 1SS133T-77		Q882	8-729-119-78	TRANSISTOR	2SC2785-HFE
D884	8-719-991-33	DIODE 1SS133T-77		Q883	8-729-140-84	TRANSISTOR	2SC1841-PAFAEA
		< IC >				< RESISTOR >	
IC400	6-707-169-01	IC M61542FP		R401	1-247-831-91	CARBON	1K 5% 1/4W
△ IC501	6-710-828-01	IC STK350-530T-E		R402	1-247-831-91	CARBON	1K 5% 1/4W
IC502	8-759-167-88	IC NJM4565D		R403	1-247-831-91	CARBON	1K 5% 1/4W
△ IC601	6-710-828-01	IC STK350-530T-E		R404	1-247-831-91	CARBON	1K 5% 1/4W
△ IC701	6-710-828-01	IC STK350-530T-E		R406	1-247-807-31	CARBON	100 5% 1/4W
△ IC821	8-759-071-48	IC TA7807S		R407	1-247-807-31	CARBON	100 5% 1/4W
△ IC822	8-759-071-47	IC TA79007S		R416	1-247-831-91	CARBON	1K 5% 1/4W
IC850	8-759-167-88	IC NJM4565D		R449	1-247-831-91	CARBON	1K 5% 1/4W
				R451	1-247-831-91	CARBON	1K 5% 1/4W
				R452	1-247-831-91	CARBON	1K 5% 1/4W
				R453	1-247-831-91	CARBON	1K 5% 1/4W

STR-K790

MAIN

Ref. No.	Part No.	Description			Remark	Ref. No.	Part No.	Description			Remark	
R454	1-247-831-91	CARBON	1K	5%	1/4W	R593	1-247-874-11	CARBON	62K	5%	1/4W	
R471	1-249-415-11	CARBON	680	5%	1/4W	R594	1-247-863-91	CARBON	22K	5%	1/4W	
R472	1-247-831-91	CARBON	1K	5%	1/4W	R595	1-249-427-11	CARBON	6.8K	5%	1/4W	
R473	1-249-421-11	CARBON	2.2K	5%	1/4W	R596	1-249-427-11	CARBON	6.8K	5%	1/4W	
R479	1-249-421-11	CARBON	2.2K	5%	1/4W	R597	1-247-887-00	CARBON	220K	5%	1/4W	
R500	1-247-871-91	CARBON	47K	5%	1/4W	R600	1-247-871-91	CARBON	47K	5%	1/4W	
R501	1-247-831-91	CARBON	1K	5%	1/4W	R601	1-247-831-91	CARBON	1K	5%	1/4W	
R502	1-249-439-11	CARBON	68K	5%	1/4W	R602	1-249-439-11	CARBON	68K	5%	1/4W	
R503	1-249-422-11	CARBON	2.7K	5%	1/4W	R603	1-249-422-11	CARBON	2.7K	5%	1/4W	
R504	1-249-439-11	CARBON	68K	5%	1/4W	R604	1-249-439-11	CARBON	68K	5%	1/4W	
R505	1-249-421-11	CARBON	2.2K	5%	1/4W	R605	1-249-421-11	CARBON	2.2K	5%	1/4W	
R506	1-249-440-11	CARBON	82K	5%	1/4W	R606	1-249-440-11	CARBON	82K	5%	1/4W	
R507	1-249-414-11	CARBON	560	5%	1/4W	R607	1-249-414-11	CARBON	560	5%	1/4W	
△ R508	1-249-405-11	CARBON	100	5%	1/4W	F	△ R608	1-249-405-11	CARBON	100	5%	1/4W
△ R509	1-249-405-11	CARBON	100	5%	1/4W	F	△ R609	1-249-405-11	CARBON	100	5%	1/4W
△ R510	1-234-182-11	ENCAPSULATED COMPONENT				△ R610	1-234-182-11	ENCAPSULATED COMPONENT				
R511	1-247-847-91	CARBON	4.7K	5%	1/4W	R611	1-247-847-91	CARBON	4.7K	5%	1/4W	
△ R512	1-240-855-81	CARBON	6.2K	5%	1/4W	F	△ R612	1-240-855-81	CARBON	6.2K	5%	1/4W
R513	1-249-419-11	CARBON	1.5K	5%	1/4W	R613	1-249-419-11	CARBON	1.5K	5%	1/4W	
R514	1-249-431-11	CARBON	15K	5%	1/4W	R614	1-249-431-11	CARBON	15K	5%	1/4W	
R515	1-247-863-91	CARBON	22K	5%	1/4W	R615	1-247-863-91	CARBON	22K	5%	1/4W	
R516	1-247-843-11	CARBON	3.3K	5%	1/4W	R616	1-247-843-11	CARBON	3.3K	5%	1/4W	
R517	1-249-431-11	CARBON	15K	5%	1/4W	R617	1-249-431-11	CARBON	15K	5%	1/4W	
R518	1-247-863-91	CARBON	22K	5%	1/4W	R618	1-247-863-91	CARBON	22K	5%	1/4W	
R519	1-247-863-91	CARBON	22K	5%	1/4W	R619	1-247-863-91	CARBON	22K	5%	1/4W	
R520	1-249-439-11	CARBON	68K	5%	1/4W	R620	1-249-439-11	CARBON	68K	5%	1/4W	
△ R521	1-249-393-11	CARBON	10	5%	1/4W	F	△ R621	1-249-393-11	CARBON	10	5%	1/4W
R522	1-247-871-91	CARBON	47K	5%	1/4W	R622	1-247-871-91	CARBON	47K	5%	1/4W	
R529	1-247-871-91	CARBON	47K	5%	1/4W	△ R624	1-249-404-00	CARBON	82	5%	1/4W	
R531	1-215-868-00	METAL OXIDE	680	5%	1W	R625	1-249-421-11	CARBON	2.2K	5%	1/4W	
R532	1-215-868-00	METAL OXIDE	680	5%	1W	R651	1-247-831-91	CARBON	1K	5%	1/4W	
R539	1-247-879-91	CARBON	100K	5%	1/4W	R652	1-249-439-11	CARBON	68K	5%	1/4W	
R549	1-247-871-91	CARBON	47K	5%	1/4W	R653	1-249-422-11	CARBON	2.7K	5%	1/4W	
R550	1-247-879-91	CARBON	100K	5%	1/4W	R654	1-249-439-11	CARBON	68K	5%	1/4W	
R551	1-247-831-91	CARBON	1K	5%	1/4W	R655	1-249-421-11	CARBON	2.2K	5%	1/4W	
R552	1-249-439-11	CARBON	68K	5%	1/4W	R656	1-249-440-11	CARBON	82K	5%	1/4W	
R553	1-249-422-11	CARBON	2.7K	5%	1/4W	R657	1-249-414-11	CARBON	560	5%	1/4W	
R554	1-249-439-11	CARBON	68K	5%	1/4W	△ R658	1-249-405-11	CARBON	100	5%	1/4W	
R555	1-249-421-11	CARBON	2.2K	5%	1/4W	△ R659	1-249-405-11	CARBON	100	5%	1/4W	
R556	1-249-440-11	CARBON	82K	5%	1/4W	△ R660	1-234-182-11	ENCAPSULATED COMPONENT				
R557	1-249-414-11	CARBON	560	5%	1/4W	R661	1-247-847-91	CARBON	4.7K	5%	1/4W	
△ R558	1-249-405-11	CARBON	100	5%	1/4W	△ R662	1-240-855-81	CARBON	6.2K	5%	1/4W	
△ R559	1-249-405-11	CARBON	100	5%	1/4W	R663	1-249-419-11	CARBON	1.5K	5%	1/4W	
△ R560	1-234-182-11	ENCAPSULATED COMPONENT				R664	1-249-431-11	CARBON	15K	5%	1/4W	
R561	1-247-847-91	CARBON	4.7K	5%	1/4W	F	R665	1-247-863-91	CARBON	22K	5%	1/4W
△ R562	1-240-855-81	CARBON	6.2K	5%	1/4W	F	R666	1-247-843-11	CARBON	3.3K	5%	1/4W
R563	1-249-419-11	CARBON	1.5K	5%	1/4W	R667	1-249-431-11	CARBON	15K	5%	1/4W	
R564	1-249-431-11	CARBON	15K	5%	1/4W	R668	1-247-863-91	CARBON	22K	5%	1/4W	
R565	1-247-863-91	CARBON	22K	5%	1/4W	R669	1-247-863-91	CARBON	22K	5%	1/4W	
R566	1-247-843-11	CARBON	3.3K	5%	1/4W	R670	1-249-439-11	CARBON	68K	5%	1/4W	
R567	1-249-431-11	CARBON	15K	5%	1/4W	△ R671	1-249-393-11	CARBON	10	5%	1/4W	
R568	1-247-863-91	CARBON	22K	5%	1/4W	R672	1-247-871-91	CARBON	47K	5%	1/4W	
R569	1-247-863-91	CARBON	22K	5%	1/4W	R700	1-247-871-91	CARBON	47K	5%	1/4W	
R570	1-249-439-11	CARBON	68K	5%	1/4W	R701	1-247-831-91	CARBON	1K	5%	1/4W	
△ R571	1-249-393-11	CARBON	10	5%	1/4W	F	R702	1-249-439-11	CARBON	68K	5%	1/4W
R572	1-247-871-91	CARBON	47K	5%	1/4W	R703	1-249-422-11	CARBON	2.7K	5%	1/4W	
△ R574	1-249-404-00	CARBON	82	5%	1/4W	F	R704	1-249-439-11	CARBON	68K	5%	1/4W
R591	1-249-421-11	CARBON	2.2K	5%	1/4W							

Ref. No.	Part No.	Description	Remark	Ref. No.	Part No.	Description	Remark
R705	1-249-421-11	CARBON	2.2K 5%	1/4W	R858	1-215-890-11	METAL OXIDE 470 5% 2W
R706	1-249-440-11	CARBON	82K 5%	1/4W	R881	1-247-871-91	CARBON 47K 5% 1/4W
R707	1-249-414-11	CARBON	560 5%	1/4W	R882	1-249-429-11	CARBON 10K 5% 1/4W
△R708	1-249-405-11	CARBON	100 5%	1/4W F	R883	1-249-427-11	CARBON 6.8K 5% 1/4W
△R709	1-249-405-11	CARBON	100 5%	1/4W F	R884	1-249-436-11	CARBON 39K 5% 1/4W
△R710	1-234-182-11	ENCAPSULATED COMPONENT			R885	1-247-831-91	CARBON 1K 5% 1/4W
R711	1-247-847-91	CARBON	4.7K 5%	1/4W	△R910	1-243-635-11	FUSIBLE 0.33 5% 1/2W
△R712	1-240-855-81	CARBON	6.2K 5%	1/4W			< RESISTOR >
R713	1-249-419-11	CARBON	1.5K 5%	1/4W	△RR11	1-249-393-11	CARBON 10 5% 1/4W F
R714	1-249-431-11	CARBON	15K 5%	1/4W			(AEP, UK)
R715	1-247-863-91	CARBON	22K 5%	1/4W	△RR12	1-249-393-11	CARBON 10 5% 1/4W F
R716	1-247-843-11	CARBON	3.3K 5%	1/4W			(AEP, UK)
R717	1-249-431-11	CARBON	15K 5%	1/4W	△RR13	1-249-393-11	CARBON 10 5% 1/4W F
R718	1-247-863-91	CARBON	22K 5%	1/4W			(AEP, UK)
R719	1-247-863-91	CARBON	22K 5%	1/4W	△RR14	1-249-393-11	CARBON 10 5% 1/4W F
R720	1-249-439-11	CARBON	68K 5%	1/4W			(AEP, UK)
△R721	1-249-393-11	CARBON	10 5%	1/4W F	△RR15	1-249-393-11	CARBON 10 5% 1/4W F
R722	1-247-871-91	CARBON	47K 5%	1/4W			(AEP, UK)
△R724	1-249-404-00	CARBON	82 5%	1/4W F	△RR16	1-249-393-11	CARBON 10 5% 1/4W F
R725	1-247-807-31	CARBON	100 5%	1/4W			(AEP, UK)
R729	1-247-871-91	CARBON	47K 5%	1/4W			< RELAY >
R740	1-247-879-91	CARBON	100K 5%	1/4W	RY502	1-755-416-12	RELAY
R751	1-247-831-91	CARBON	1K 5%	1/4W	RY551	1-755-416-12	RELAY
R752	1-249-439-11	CARBON	68K 5%	1/4W	RY601	1-755-416-12	RELAY
R753	1-249-421-11	CARBON	2.2K 5%	1/4W	RY701	1-755-416-12	RELAY
R754	1-249-439-11	CARBON	68K 5%	1/4W			< TERMINAL >
R755	1-249-421-11	CARBON	2.2K 5%	1/4W	TM600	1-694-805-11	TERMINAL BOARD
R756	1-249-440-11	CARBON	82K 5%	1/4W			(FRONT,CENTER/SPEAKERS IMPEDANCE 6-16Ω)
R757	1-249-414-11	CARBON	560 5%	1/4W	TM602	1-694-805-11	TERMINAL BOARD (SURROUND,SUB WOOFER/
△R758	1-249-405-11	CARBON	100 5%	1/4W F			SPEAKERS IMPEDANCE 6-16Ω)
△R759	1-249-405-11	CARBON	100 5%	1/4W F	TM604	1-694-805-11	TERMINAL BOARD
△R760	1-234-182-11	ENCAPSULATED COMPONENT					*****
R761	1-247-847-91	CARBON	4.7K 5%	1/4W			POWER BOARD
△R762	1-240-855-81	CARBON	6.2K 5%	1/4W F			*****
R763	1-249-419-11	CARBON	1.5K 5%	1/4W			< CONNECTOR >
R764	1-249-431-11	CARBON	15K 5%	1/4W	* CNP152	1-564-506-11	PLUG, CONNECTOR 3P
R765	1-249-421-11	CARBON	2.2K 5%	1/4W			< RESISTOR >
R766	1-247-863-91	CARBON	22K 5%	1/4W	R135	1-249-409-11	CARBON 220 5% 1/4W
R770	1-249-439-11	CARBON	68K 5%	1/4W	R136	1-249-411-11	CARBON 330 5% 1/4W
△R771	1-249-393-11	CARBON	10 5%	1/4W F	R137	1-249-413-11	CARBON 470 5% 1/4W
R772	1-247-871-91	CARBON	47K 5%	1/4W	R138	1-249-415-11	CARBON 680 5% 1/4W
R791	1-249-421-11	CARBON	2.2K 5%	1/4W	R139	1-247-831-91	CARBON 1K 5% 1/4W
△R793	1-249-404-00	CARBON	82 5%	1/4W F			< SWITCH >
△R803	1-249-389-11	CARBON	4.7 5%	1/4W F	S114	1-771-410-21	SWITCH, TACTILE (DIMMER)
R804	1-249-429-11	CARBON	10K 5%	1/4W	S115	1-771-410-21	SWITCH, TACTILE (SLEEP)
R806	1-247-863-91	CARBON	22K 5%	1/4W	S116	1-771-410-21	SWITCH, TACTILE (2CH)
△R815	1-249-381-11	CARBON	1 5%	1/4W F	S117	1-771-410-21	SWITCH, TACTILE (A.F.D.)
△R816	1-249-381-11	CARBON	1 5%	1/4W F	S118	1-771-410-21	SWITCH, TACTILE (MOVIE)
R840	1-249-427-11	CARBON	6.8K 5%	1/4W	S119	1-771-410-21	SWITCH, TACTILE (MUSIC)
R843	1-247-863-91	CARBON	22K 5%	1/4W	S152	1-771-410-21	SWITCH, TACTILE (I/⏻)
R844	1-247-863-91	CARBON	22K 5%	1/4W			*****
R851	1-249-429-11	CARBON	10K 5%	1/4W			
R852	1-249-429-11	CARBON	10K 5%	1/4W			
R853	1-249-429-11	CARBON	10K 5%	1/4W			
R854	1-249-435-11	CARBON	33K 5%	1/4W			
R855	1-247-887-00	CARBON	220K 5%	1/4W			
R856	1-247-895-00	CARBON	470K 5%	1/4W			
R857	1-249-429-11	CARBON	10K 5%	1/4W			

STR-K790

Ver. 1.1

STANDBY

Ref. No.	Part No.	Description	Remark
	A-1221-175-A	STANDBY BOARD, COMPLETE (US, GND)	
	A-1221-176-A	STANDBY BOARD, COMPLETE (AEP, UK)	

		< CAPACITOR >	
C901	1-135-798-11	CERAMIC 0.22uF	50V
C902	1-135-798-11	CERAMIC 0.22uF	50V
C911	1-135-798-11	CERAMIC 0.22uF	50V
C912	1-135-798-11	CERAMIC 0.22uF	50V
C913	1-126-959-11	ELECT 0.47uF	20% 50V
C914	1-126-936-11	ELECT 3300uF	20% 16V
C915	1-126-943-11	ELECT 2200uF	20% 25V
C916	1-126-942-61	ELECT 1000uF	20% 25V
		< CONNECTOR >	
* CNP801	1-564-510-11	PLUG, CONNECTOR 7P	
CNP900	1-564-321-00	PIN, CONNECTOR (3.96mm PITCH) 2P	
* CNP903	1-564-506-11	PLUG, CONNECTOR 3P	
* CNP904	1-565-792-11	PIN, CONNECTOR (3.96mm PITCH) 2P	
* CNP906	1-691-406-11	CONNECTOR, BOARD TO BOARD 7P	
		< DIODE >	
D901	8-719-991-33	DIODE 1SS133T-77	
D910	6-500-522-11	DIODE 10EDB40-TA2B5	
D911	6-500-522-11	DIODE 10EDB40-TA2B5	
D912	6-500-522-11	DIODE 10EDB40-TA2B5	
D913	6-500-522-11	DIODE 10EDB40-TA2B5	
D914	8-719-991-33	DIODE 1SS133T-77	
D915	8-719-991-33	DIODE 1SS133T-77	
△D920	6-500-522-11	DIODE 10EDB40-TA2B5	
△D921	6-500-522-11	DIODE 10EDB40-TA2B5	
△D922	6-500-522-11	DIODE 10EDB40-TA2B5	
△D923	6-500-522-11	DIODE 10EDB40-TA2B5	
		< FUSE HOLDER >	
FH902	1-533-217-41	HOLDER, FUSE	
FH952	1-533-217-41	HOLDER, FUSE	
		< GROUND TERMINAL >	
G901	1-537-738-21	TERMINAL, GROUND	
		< TRANSISTOR >	
Q901	8-729-119-78	TRANSISTOR 2SC2785-HFE	
Q911	8-729-119-78	TRANSISTOR 2SC2785-HFE	
		< RESISTOR >	
△R810	1-243-634-91	FUSIBLE 0.22	5% 1/2W
△R812	1-243-634-91	FUSIBLE 0.22	5% 1/2W
△R900	1-219-237-91	SOLID 3.3M	20% 1/2W
			(US, GND)
R903	1-247-871-91	CARBON 47K	5% 1/4W
R904	1-247-847-91	CARBON 4.7K	5% 1/4W
△R905	1-249-381-11	CARBON 1	5% 1/4W F
R911	1-247-871-91	CARBON 47K	5% 1/4W
R912	1-249-435-11	CARBON 33K	5% 1/4W
R913	1-249-429-11	CARBON 10K	5% 1/4W

Ref. No.	Part No.	Description	Remark
		< RELAY >	
△RY901	1-755-439-11	RELAY	
		< POWER TRANSFORMER >	
△T902	1-443-517-11	POWER TRANSFORMER (AEP, UK)	
△T902	1-443-516-11	POWER TRANSFORMER (US, GND)	

		MISCELLANEOUS	

9	1-829-994-11	WIRE (FLAT TYPE) (17 CORE)	
△59	1-777-071-83	CORD, POWER (AEP, UK)	
△59	1-783-820-11	CORD, POWER (US, GND)	
61	1-828-953-11	WIRE (FLAT TYPE) (9 CORE) (US, GND)	
61	1-828-963-11	WIRE (FLAT TYPE) (11 CORE) (AEP, UK)	
62	1-828-971-11	WIRE (FLAT TYPE) (13 CORE) (AEP, UK)	
65	1-693-728-11	TUNER (FM/AM) (GND)	
65	1-693-733-11	TUNER (FM/AM) (US)	
65	1-693-737-11	TUNER (FM/AM) (AEP, UK)	
△F901	1-532-464-33	FUSE (T2.5AL/250V) (AEP, UK)	
△F901	1-533-452-12	FUSE, GLASS TUBE (DIA. 5) (4A/125V)	(US, GND)
△Q503	6-702-390-01	IC MN2488-OPY-MK	
△Q504	6-702-391-01	IC MP1620-OPY-MK	
△Q553	6-702-390-01	IC MN2488-OPY-MK	
△Q554	6-702-391-01	IC MP1620-OPY-MK	
△Q603	6-702-390-01	IC MN2488-OPY-MK	
△Q604	6-702-391-01	IC MP1620-OPY-MK	
△Q653	6-702-390-01	IC MN2488-OPY-MK	
△Q654	6-702-391-01	IC MP1620-OPY-MK	
△Q703	6-702-390-01	IC MN2488-OPY-MK	
△Q704	6-702-391-01	IC MP1620-OPY-MK	
△Q753	6-702-390-01	IC MN2488-OPY-MK	
△Q754	6-702-391-01	IC MP1620-OPY-MK	
△T901	1-443-909-11	POWER TRANSFORMER (US, GND)	
△T901	1-443-916-11	POWER TRANSFORMER (AEP, UK)	