

SECTION 6 EXPLODED VIEWS

Note:

- -XX and -X mean standardized parts, so they may have some difference from the original one.
- Items marked "*" are not stocked since they are seldom required for routine service. Some delay should be anticipated when ordering these items.
- The mechanical parts with no reference number in the exploded views are not supplied.
- Color Indication of Appearance Parts Example:
 KNOB, BALANCE (WHITE) . . . (RED)
↑ ↑
 Parts Color Cabinet's Color

- Abbreviation
 AUS : Australian model
 CND : Canadian model

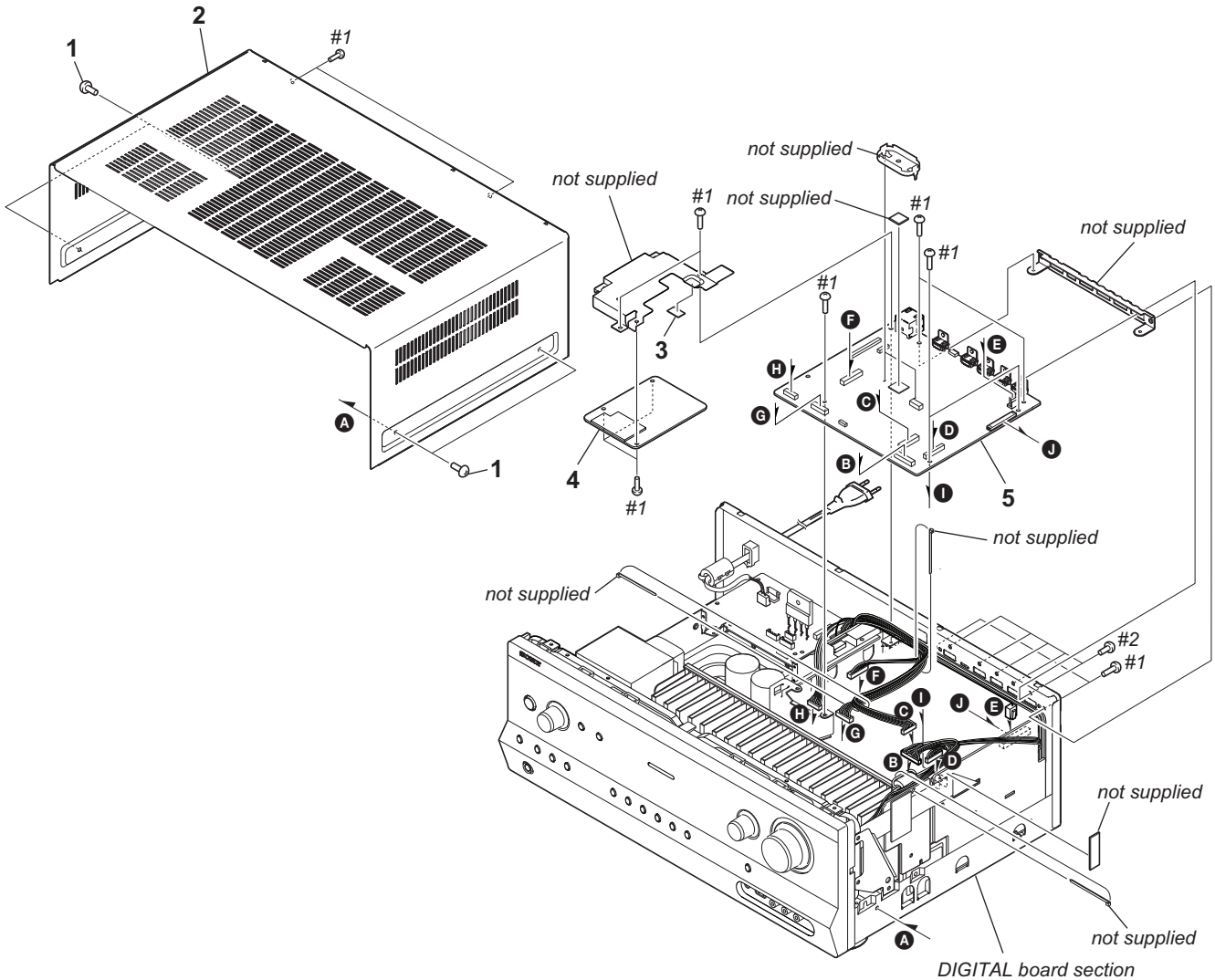
The components identified by mark contain confidential information. Strictly follow the instructions whenever the components are repaired and/or replaced.

Les composants identifiés par la marque contiennent des informations confidentielles. Suivre scrupuleusement les instructions chaque fois qu'un composant est remplacé et / ou réparé.

The components identified by mark or dotted line with mark are critical for safety. Replace only with part number specified.

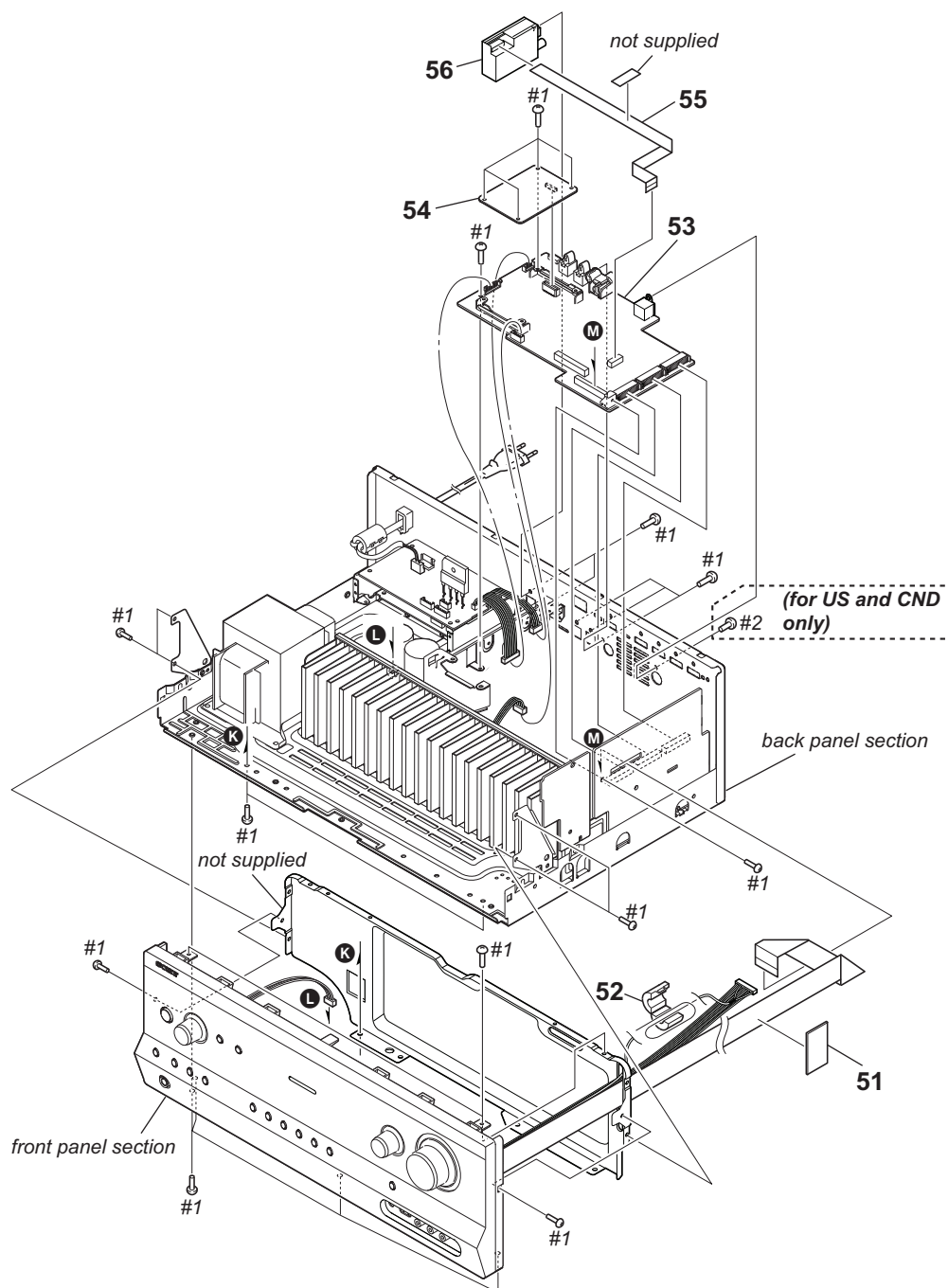
Les composants identifiés par une marque sont critiques pour la sécurité. Ne les remplacer que par une pièce portant le numéro spécifié.

6-1. CASE SECTION



Ref. No.	Part No.	Description	Remark	Ref. No.	Part No.	Description	Remark
1	2-580-630-01	SCREW, +BVST 4X8			5	A-1794-695-A	D-VIDEO NW BOARD, COMPLETE
2	4-160-845-31	CASE		#1	7-685-646-71	SCREW +BVTP 3X8 TYPE2 IT-3	
3	4-977-358-01	CUSHION		#2	7-682-546-09	SCREW +B 3X5	
4	A-1813-433-A	NETWORK BOARD, COMPLETE (for SERVICE)					

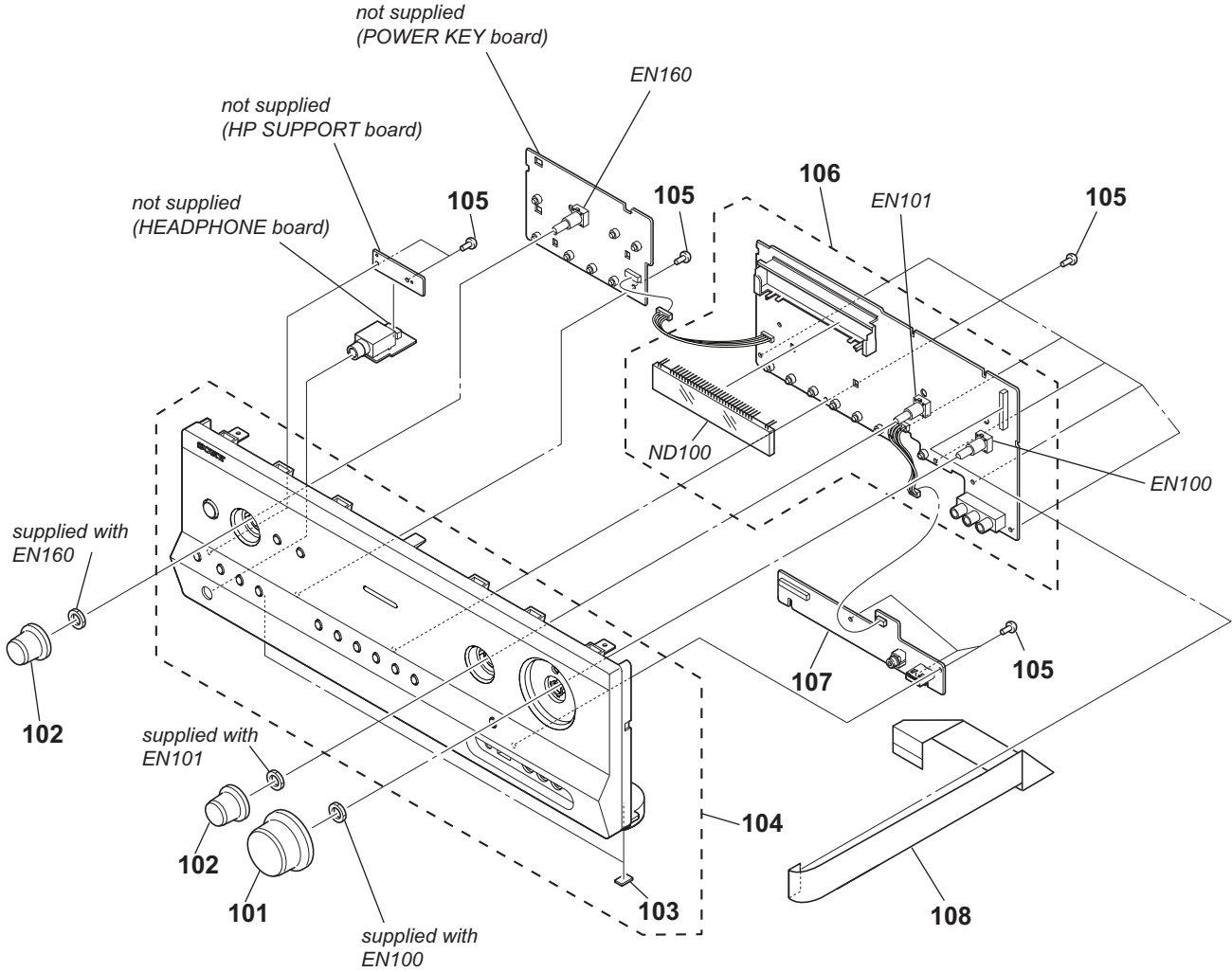
6-2. DIGITAL BOARD SECTION



Note: If wire (flat type) is replaced, install it after bending it in the same form as that before replacement.

Ref. No.	Part No.	Description	Remark	Ref. No.	Part No.	Description	Remark
51	3-381-709-21	CUSHION, SARANET		55	1-828-965-51	WIRE (FLAT TYPE) (11 CORE) (AEP, UK, AUS)	
52	1-500-082-11	CLAMP, SLEEVE FERRITE		56	1-693-737-21	TUNER (FM/AM) (AEP, UK, AUS)	
53	A-1799-443-A	DIGITAL BOARD, COMPLETE (US, CND)		56	1-693-779-11	TUNER (FM/AM) (US, CND)	
53	A-1799-535-A	DIGITAL BOARD, COMPLETE (AEP, UK, AUS)		#1	7-685-646-71	SCREW +BVTP 3X8 TYPE2 IT-3	
54	A-1830-042-A	DSP BOARD, COMPLETE		#2	7-682-546-09	SCREW +B 3X5 (US, CND)	
55	1-828-958-51	WIRE (FLAT TYPE) (9 CORE) (US, CND)					

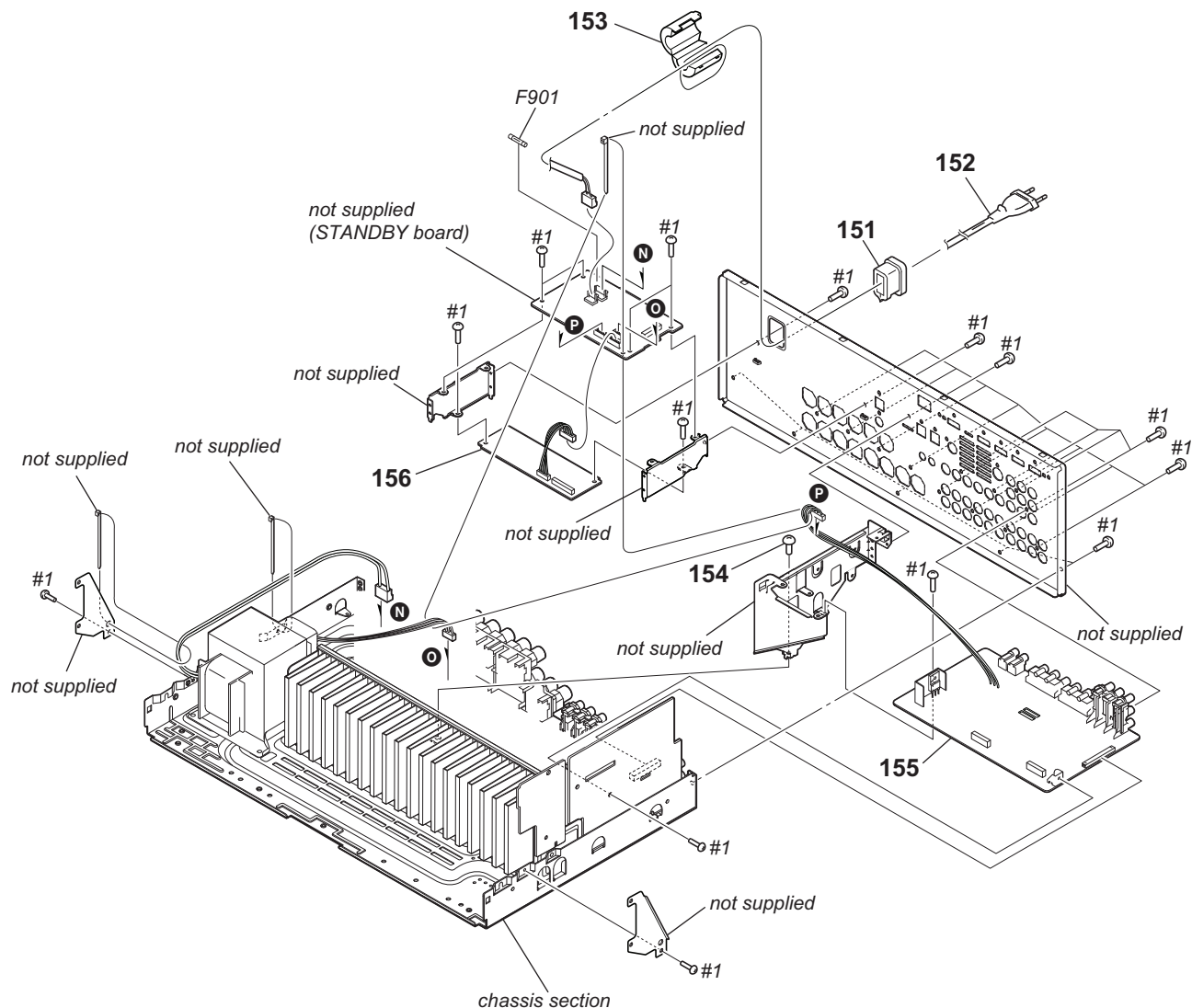
6-3. FRONT PANEL SECTION



Note: If wire (flat type) is replaced, install it after bending it in the same form as that before replacement.

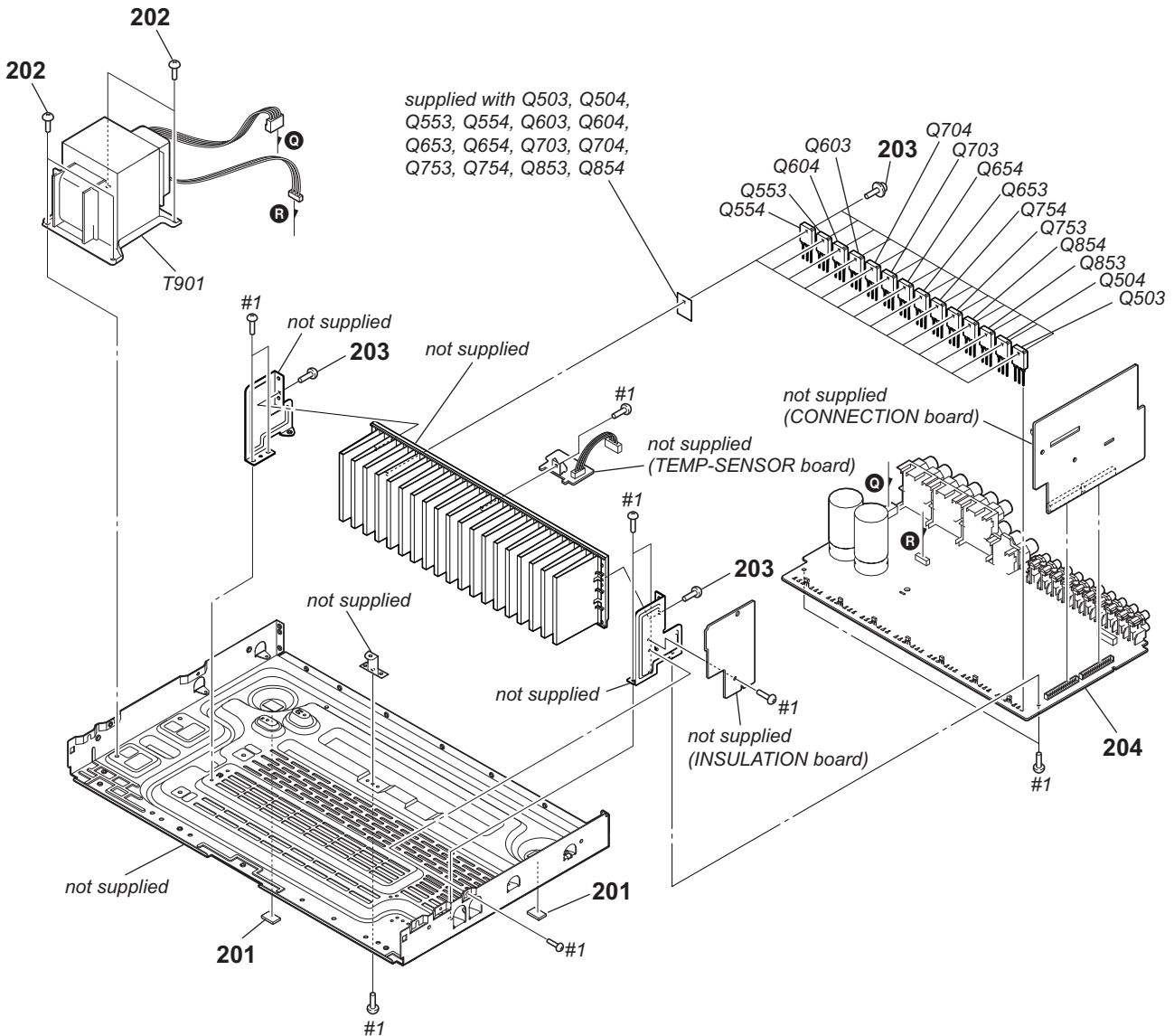
Ref. No.	Part No.	Description	Remark	Ref. No.	Part No.	Description	Remark
101	4-261-841-01	KNOB, VOLUME		107	A-1820-594-A	USB BOARD, COMPLETE	
102	4-261-842-01	KNOB, MENU		108	1-828-673-21	WIRE (FLAT TYPE) (29 CORE)	
103	4-977-358-01	CUSHION		EN100	1-418-725-41	ENCODER, ROTARY (12 TYPE)	(MASTER VOLUME)
104	X-2560-634-1	FRONT PANEL ASSY (US, CND)		EN101	1-418-817-21	ENCODER, ROTARY (INPUT SELECTOR)	
104	X-2560-637-1	FRONT PANEL ASSY (AEP, UK, AUS)		EN160	1-418-817-21	ENCODER, ROTARY (TONE/TUNING)	
105	3-087-053-01	+BVTP2.6 (3CR)		ND100	1-483-365-11	VACUUM FLOURESCENT DISPLAY	
106	A-1796-857-A	DISPLAY BOARD, COMPLETE					

6-4. BACK PANEL SECTION



Ref. No.	Part No.	Description	Remark	Ref. No.	Part No.	Description	Remark
151	4-966-267-12	BUSHING (FBS001), CORD		155	A-1796-749-A	A VIDEO BOARD, COMPLETE	
△ 152	1-777-071-83	CORD, POWER (AEP, UK)		156	A-1796-753-A	DCDC BOARD, COMPLETE	
△ 152	1-833-566-21	POWER-SUPPLY CORD (AUS)		△ F901	1-532-465-33	FUSE, T3.15AL 250V (AEP, UK, AUS)	
△ 152	1-837-308-11	CORD, POWER-SUPPLY (US, CND)		△ F901	1-533-311-12	FUSE, GLASS (DIA.5) 8A 125V (US, CND)	
153	1-500-386-11	FILTER, CLAMP (FERRITE CORE)		#1	7-685-646-71	SCREW +BVTP 3X8 TYPE2 IT-3	
154	2-580-630-01	SCREW, +BVST 4X8					

6-5. CHASSIS SECTION



Ref. No.	Part No.	Description	Remark	Ref. No.	Part No.	Description	Remark
201	4-977-358-01	CUSHION		Q654	6-702-391-01	TRANSISTOR MP1620-OPY-MK	
202	4-249-675-01	+BV SUMITITE S 4X6 ROUND		Q703	6-702-390-01	TRANSISTOR MN2488-OPY-MK	
203	3-905-609-31	SCREW (TRANSISTOR)		Q704	6-702-391-01	TRANSISTOR MP1620-OPY-MK	
204	A-1796-740-A	MAIN BOARD, COMPLETE (US, CND)		Q753	6-702-390-01	TRANSISTOR MN2488-OPY-MK	
204	A-1796-792-A	MAIN BOARD, COMPLETE (AEP, UK, AUS)		Q754	6-702-391-01	TRANSISTOR MP1620-OPY-MK	
Q503	6-702-390-01	TRANSISTOR MN2488-OPY-MK		Q853	6-702-390-01	TRANSISTOR MN2488-OPY-MK	
Q504	6-702-391-01	TRANSISTOR MP1620-OPY-MK		Q854	6-702-391-01	TRANSISTOR MP1620-OPY-MK	
Q553	6-702-390-01	TRANSISTOR MN2488-OPY-MK		△ T901	1-445-652-31	POWER TRANSFORMER (MAIN) (AEP, UK, AUS)	
Q554	6-702-391-01	TRANSISTOR MP1620-OPY-MK		△ T901	1-445-797-21	POWER TRANSFORMER (MAIN) (US)	
Q603	6-702-390-01	TRANSISTOR MN2488-OPY-MK		△ T901	1-445-824-21	POWER TRANSFORMER (MAIN) (CND)	
Q604	6-702-391-01	TRANSISTOR MP1620-OPY-MK		#1	7-685-646-71	SCREW +BVTP 3X8 TYPE2 IT-3	
Q653	6-702-390-01	TRANSISTOR MN2488-OPY-MK					

SECTION 7 ELECTRICAL PARTS LIST

A VIDEO

Note:

- Due to standardization, replacements in the parts list may be different from the parts specified in the diagrams or the components used on the set.
- -XX and -X mean standardized parts, so they may have some difference from the original one.
- Items marked "*" are not stocked since they are seldom required for routine service. Some delay should be anticipated when ordering these items.
- RESISTORS
All resistors are in ohms.
METAL: Metal-film resistor.
METAL OXIDE: Metal oxide-film resistor.
F: nonflammable
- CAPACITORS
uF: μ F

- COILS
uH: μ H
- SEMICONDUCTORS
In each case, u: μ , for example:
uA. . : μ A. . , uPA. . , μ PA. . ,
uPB. . : μ PB. . , uPC. . , μ PC. . ,
uPD. . : μ PD. .
- Abbreviation
AUS : Australian model
CND : Canadian model

When indicating parts by reference number, please include the board name.

The components identified by mark \triangle or dotted line with mark \triangle are critical for safety.
Replace only with part number specified.

Les composants identifiés par une marque \triangle sont critiques pour la sécurité.
Ne les remplacer que par une pièce portant le numéro spécifié.

The components identified by mark $\hat{\square}$ contain confidential information.
Strictly follow the instructions whenever the components are repaired and/or replaced.

Les composants identifiés par la marque $\hat{\square}$ contiennent des informations confidentielles.
Suivre scrupuleusement les instructions chaque fois qu'un composant est remplacé et / ou réparé.

Ref. No.	Part No.	Description	Remark	Ref. No.	Part No.	Description	Remark
	A-1796-749-A	A VIDEO BOARD, COMPLETE *****		C241	1-100-566-91	CERAMIC CHIP 0.1uF	10% 25V
				C242	1-100-566-91	CERAMIC CHIP 0.1uF	10% 25V
				C243	1-100-566-91	CERAMIC CHIP 0.1uF	10% 25V
	7-685-646-71	SCREW +BVTP 3X8 TYPE2 IT-3					
		< CAPACITOR >					
C203	1-107-906-11	ELECT 10uF	20% 50V	C244	1-126-947-11	ELECT 47uF	20% 35V
C204	1-107-906-11	ELECT 10uF	20% 50V	C245	1-126-947-11	ELECT 47uF	20% 35V
C205	1-107-906-11	ELECT 10uF	20% 50V	C246	1-165-908-11	CERAMIC CHIP 1uF	10% 10V
C206	1-107-906-11	ELECT 10uF	20% 50V	C247	1-107-906-11	ELECT 10uF	20% 50V
C207	1-107-906-11	ELECT 10uF	20% 50V	C248	1-107-906-11	ELECT 10uF	20% 50V
C208	1-107-906-11	ELECT 10uF	20% 50V	C249	1-107-906-11	ELECT 10uF	20% 50V
C210	1-107-906-11	ELECT 10uF	20% 50V	C250	1-107-906-11	ELECT 10uF	20% 50V
C211	1-107-906-11	ELECT 10uF	20% 50V	C251	1-100-566-91	CERAMIC CHIP 0.1uF	10% 25V
C212	1-107-906-11	ELECT 10uF	20% 50V	C257	1-104-652-11	ELECT 470uF	20% 10V
C213	1-100-566-91	CERAMIC CHIP 0.1uF	10% 25V	C258	1-104-652-11	ELECT 470uF	20% 10V
C214	1-100-566-91	CERAMIC CHIP 0.1uF	10% 25V	C259	1-126-947-11	ELECT 47uF	20% 35V
C215	1-100-566-91	CERAMIC CHIP 0.1uF	10% 25V	C260	1-137-980-91	CERAMIC CHIP 0.47uF	10% 50V
C216	1-100-566-91	CERAMIC CHIP 0.1uF	10% 25V	C261	1-137-980-91	CERAMIC CHIP 0.47uF	10% 50V
C217	1-100-566-91	CERAMIC CHIP 0.1uF	10% 25V	C262	1-100-566-91	CERAMIC CHIP 0.1uF	10% 25V
C218	1-100-566-91	CERAMIC CHIP 0.1uF	10% 25V	C263	1-100-566-91	CERAMIC CHIP 0.1uF	10% 25V
C219	1-100-566-91	CERAMIC CHIP 0.1uF	10% 25V	C264	1-100-566-91	CERAMIC CHIP 0.1uF	10% 25V
C220	1-100-566-91	CERAMIC CHIP 0.1uF	10% 25V	C265	1-100-566-91	CERAMIC CHIP 0.1uF	10% 25V
C221	1-100-566-91	CERAMIC CHIP 0.1uF	10% 25V	C266	1-100-566-91	CERAMIC CHIP 0.1uF	10% 25V
C222	1-107-903-11	ELECT 2.2uF	20% 50V	C267	1-126-964-11	ELECT 10uF	20% 50V
C223	1-100-566-91	CERAMIC CHIP 0.1uF	10% 25V	C268	1-126-964-11	ELECT 10uF	20% 50V
C224	1-100-566-91	CERAMIC CHIP 0.1uF	10% 25V	C272	1-104-652-11	ELECT 470uF	20% 10V
C225	1-100-566-91	CERAMIC CHIP 0.1uF	10% 25V	C274	1-162-919-11	CERAMIC CHIP 22PF	5% 50V
C226	1-100-566-91	CERAMIC CHIP 0.1uF	10% 25V	C275	1-162-919-11	CERAMIC CHIP 22PF	5% 50V
C227	1-100-566-91	CERAMIC CHIP 0.1uF	10% 25V	C276	1-162-919-11	CERAMIC CHIP 22PF	5% 50V
C228	1-104-658-91	ELECT 100uF	20% 10V	C277	1-162-919-11	CERAMIC CHIP 22PF	5% 50V
C229	1-126-947-11	ELECT 47uF	20% 35V	C278	1-162-919-11	CERAMIC CHIP 22PF	5% 50V
C230	1-100-566-91	CERAMIC CHIP 0.1uF	10% 25V	C279	1-162-919-11	CERAMIC CHIP 22PF	5% 50V
C231	1-100-566-91	CERAMIC CHIP 0.1uF	10% 25V	C280	1-162-927-11	CERAMIC CHIP 100PF	5% 50V
C232	1-100-566-91	CERAMIC CHIP 0.1uF	10% 25V	C281	1-162-925-11	CERAMIC CHIP 68PF	5% 50V
C233	1-100-566-91	CERAMIC CHIP 0.1uF	10% 25V	C282	1-162-925-11	CERAMIC CHIP 68PF	5% 50V
C234	1-100-566-91	CERAMIC CHIP 0.1uF	10% 25V	C283	1-162-925-11	CERAMIC CHIP 68PF	5% 50V
C235	1-100-566-91	CERAMIC CHIP 0.1uF	10% 25V	C284	1-162-919-11	CERAMIC CHIP 22PF	5% 50V
C236	1-100-566-91	CERAMIC CHIP 0.1uF	10% 25V	C285	1-162-919-11	CERAMIC CHIP 22PF	5% 50V
C237	1-100-566-91	CERAMIC CHIP 0.1uF	10% 25V	C286	1-162-919-11	CERAMIC CHIP 22PF	5% 50V
C238	1-100-566-91	CERAMIC CHIP 0.1uF	10% 25V			< CONNECTOR >	
C239	1-100-566-91	CERAMIC CHIP 0.1uF	10% 25V	* CN200	1-785-517-11	CONNECTOR, BOARD TO BOARD 15P	
C240	1-100-566-91	CERAMIC CHIP 0.1uF	10% 25V				

STR-DN1020

A VIDEO CONNECTION

Ref. No.	Part No.	Description	Remark	Ref. No.	Part No.	Description	Remark
		< DIODE >					
D200	6-502-961-01	DI DA2J10100L		R228	1-216-809-11	METAL CHIP 100	5% 1/10W
D201	8-719-075-86	DIODE SID307BRTP19		R229	1-216-805-11	METAL CHIP 47	5% 1/10W
D202	6-502-961-01	DI DA2J10100L		R230	1-216-805-11	METAL CHIP 47	5% 1/10W
D203	6-502-961-01	DI DA2J10100L		R231	1-216-821-11	METAL CHIP 1K	5% 1/10W
D205	8-719-049-09	DIODE 1SS367-T3SONY		R232	1-216-837-11	METAL CHIP 22K	5% 1/10W
		< IC >		R233	1-216-833-11	METAL CHIP 10K	5% 1/10W
IC200	6-600-768-01	IC PNA4823M03S0		R234	1-216-837-11	METAL CHIP 22K	5% 1/10W
IC201	6-700-587-01	IC TC7W53F (TE12R)		R235	1-216-809-11	METAL CHIP 100	5% 1/10W
IC202	6-715-183-01	IC NJW1327FU1		R236	1-218-847-11	METAL CHIP 1K	0.5% 1/10W
IC203	6-712-613-01	IC SI-3010KM-TLS		R237	1-218-879-11	METAL CHIP 22K	0.5% 1/10W
IC204	6-711-998-01	IC KIA7905PI		R238	1-218-871-11	METAL CHIP 10K	0.5% 1/10W
IC205	6-710-821-01	IC NJM2505AF (TE2)		R239	1-218-823-11	METAL CHIP 100	0.5% 1/10W
		< JACK >		R240	1-218-823-11	METAL CHIP 100	0.5% 1/10W
J201	1-816-592-11	JACK, PIN 9P (COMPONENT VIDEO ASSIGNABLE (INPUT ONLY) SAT/CATV (IN 2), BD/DVD (IN 1), MONITOR OUT)		R241	1-218-855-11	METAL CHIP 2.2K	0.5% 1/10W
J202	1-563-330-31	JACK (IR REMOTE IN)		R242	1-216-797-11	METAL CHIP 10	5% 1/10W
J203	1-563-330-31	JACK (IR REMOTE OUT)		R243	1-216-864-11	SHORT CHIP 0	
J204	1-794-978-11	JACK, PIN 3P (VIDEO 1 VIDEO OUT/IN, SAT/CATV VIDEO IN)		R244	1-211-990-11	METAL CHIP 75	0.5% 1/10W
J205	1-794-978-11	JACK, PIN 3P (BD/DVD VIDEO IN, ZONE 2 VIDEO OUT, MONITOR VIDEO OUT)		R245	1-211-990-11	METAL CHIP 75	0.5% 1/10W
		< JUMPER RESISTOR >		R246	1-211-990-11	METAL CHIP 75	0.5% 1/10W
JR201	1-216-864-11	SHORT CHIP 0		R247	1-216-864-11	SHORT CHIP 0	
JR202	1-216-864-11	SHORT CHIP 0		*****			
		< TRANSISTOR >		CONNECTION BOARD			
Q200	8-729-620-07	TRANSISTOR 2SC3052EF-T1-LEF		*****			
Q201	6-551-699-01	TR ISA1602AM1-T111-1EF		< CONNECTOR >			
		< RESISTOR >		CN172	1-842-645-11	CONNECTOR, BOARD TO BOARD 15P	
R152	1-216-797-11	METAL CHIP 10 5% 1/10W		CN173	1-842-722-11	CONNECTOR, BOARD TO BOARD 20P	
R203	1-211-990-11	METAL CHIP 75 0.5% 1/10W		CN174	1-842-722-11	CONNECTOR, BOARD TO BOARD 20P	
R204	1-211-990-11	METAL CHIP 75 0.5% 1/10W		CN175	1-842-722-11	CONNECTOR, BOARD TO BOARD 20P	
R205	1-211-990-11	METAL CHIP 75 0.5% 1/10W		CN176	1-842-812-11	CONNECTOR, BOARD TO BOARD 19P	
R206	1-211-990-11	METAL CHIP 75 0.5% 1/10W		CN178	1-842-645-11	CONNECTOR, BOARD TO BOARD 15P	
R207	1-211-990-11	METAL CHIP 75 0.5% 1/10W		CN179	1-842-812-11	CONNECTOR, BOARD TO BOARD 19P	
R208	1-211-990-11	METAL CHIP 75 0.5% 1/10W		< JUMPER RESISTOR >			
R209	1-216-833-11	METAL CHIP 10K 5% 1/10W		JR200	1-216-864-11	SHORT CHIP 0	
R210	1-211-990-11	METAL CHIP 75 0.5% 1/10W		JR201	1-216-864-11	SHORT CHIP 0	
R211	1-211-990-11	METAL CHIP 75 0.5% 1/10W		JR202	1-216-864-11	SHORT CHIP 0	
R212	1-211-990-11	METAL CHIP 75 0.5% 1/10W		JR203	1-216-864-11	SHORT CHIP 0	
R213	1-211-990-11	METAL CHIP 75 0.5% 1/10W		JR204	1-216-864-11	SHORT CHIP 0	
R214	1-211-990-11	METAL CHIP 75 0.5% 1/10W		JR205	1-216-864-11	SHORT CHIP 0	
R215	1-211-990-11	METAL CHIP 75 0.5% 1/10W		JR206	1-216-864-11	SHORT CHIP 0	
R216	1-211-990-11	METAL CHIP 75 0.5% 1/10W		JR207	1-216-864-11	SHORT CHIP 0	
R217	1-211-990-11	METAL CHIP 75 0.5% 1/10W		JR208	1-216-864-11	SHORT CHIP 0	
R218	1-211-990-11	METAL CHIP 75 0.5% 1/10W		JR209	1-216-864-11	SHORT CHIP 0	
R219	1-216-797-11	METAL CHIP 10 5% 1/10W		JR210	1-216-864-11	SHORT CHIP 0	
R220	1-216-839-11	METAL CHIP 33K 5% 1/10W		JR211	1-216-864-11	SHORT CHIP 0	
R221	1-216-845-11	METAL CHIP 100K 5% 1/10W		JR212	1-216-864-11	SHORT CHIP 0	
R222	1-216-833-11	METAL CHIP 10K 5% 1/10W		JR213	1-216-864-11	SHORT CHIP 0	
R223	1-216-829-11	METAL CHIP 4.7K 5% 1/10W		JR214	1-216-864-11	SHORT CHIP 0	
R224	1-216-829-11	METAL CHIP 4.7K 5% 1/10W		JR215	1-216-864-11	SHORT CHIP 0	
R225	1-216-833-11	METAL CHIP 10K 5% 1/10W		JR216	1-216-864-11	SHORT CHIP 0	
R227	1-216-809-11	METAL CHIP 100 5% 1/10W		JR217	1-216-864-11	SHORT CHIP 0	
				JR218	1-216-296-11	SHORT CHIP 0	
				JR219	1-216-296-11	SHORT CHIP 0	
				JR220	1-216-864-11	SHORT CHIP 0	
				JR221	1-216-864-11	SHORT CHIP 0	
				JR222	1-216-864-11	SHORT CHIP 0	
				JR223	1-216-864-11	SHORT CHIP 0	
				JR224	1-216-864-11	SHORT CHIP 0	
				JR225	1-216-864-11	SHORT CHIP 0	

CONNECTION DCDC

Ref. No.	Part No.	Description	Remark
JR226	1-216-864-11	SHORT CHIP 0	
JR227	1-216-864-11	SHORT CHIP 0	
JR228	1-216-296-11	SHORT CHIP 0	
JR229	1-216-296-11	SHORT CHIP 0	
JR230	1-216-296-11	SHORT CHIP 0	
JR231	1-216-296-11	SHORT CHIP 0	
JR232	1-216-296-11	SHORT CHIP 0	
JR233	1-216-296-11	SHORT CHIP 0	
JR234	1-216-296-11	SHORT CHIP 0	
JR235	1-216-864-11	SHORT CHIP 0	
JR236	1-216-864-11	SHORT CHIP 0	
JR237	1-216-864-11	SHORT CHIP 0	
JR238	1-216-864-11	SHORT CHIP 0	
JR239	1-216-864-11	SHORT CHIP 0	
JR240	1-216-864-11	SHORT CHIP 0	
JR241	1-216-864-11	SHORT CHIP 0	
JR242	1-216-296-11	SHORT CHIP 0	
JR243	1-216-296-11	SHORT CHIP 0	
JR244	1-216-864-11	SHORT CHIP 0	
< RESISTOR >			
R175	1-216-864-11	SHORT CHIP 0	

A-1796-753-A	DCDC BOARD, COMPLETE *****		
< CAPACITOR >			
C1500	1-104-329-11	CERAMIC CHIP 0.1uF 10% 50V	
C1501	1-100-703-91	CERAMIC CHIP 10uF 10% 25V	
C1502	1-100-703-91	CERAMIC CHIP 10uF 10% 25V	
C1503	1-100-703-91	CERAMIC CHIP 10uF 10% 25V	
C1504	1-162-970-11	CERAMIC CHIP 0.01uF 10% 25V	
C1505	1-100-566-91	CERAMIC CHIP 0.1uF 10% 25V	
C1506	1-112-794-11	ELECT CHIP 470uF 20% 16V	
C1507	1-162-917-11	CERAMIC CHIP 15PF 5% 50V	
C1508	1-162-960-11	CERAMIC CHIP 220PF 10% 50V	
C1509	1-100-566-91	CERAMIC CHIP 0.1uF 10% 25V	
C1510	1-100-566-91	CERAMIC CHIP 0.1uF 10% 25V	
C1511	1-100-566-91	CERAMIC CHIP 0.1uF 10% 25V	
C1512	1-162-964-11	CERAMIC CHIP 0.001uF 10% 50V	
C1515	1-100-703-91	CERAMIC CHIP 10uF 10% 25V	
C1600	1-104-329-11	CERAMIC CHIP 0.1uF 10% 50V	
C1601	1-100-703-91	CERAMIC CHIP 10uF 10% 25V	
C1602	1-100-703-91	CERAMIC CHIP 10uF 10% 25V	
C1603	1-100-703-91	CERAMIC CHIP 10uF 10% 25V	
C1604	1-162-970-11	CERAMIC CHIP 0.01uF 10% 25V	
C1605	1-100-566-91	CERAMIC CHIP 0.1uF 10% 25V	
C1606	1-112-794-11	ELECT CHIP 470uF 20% 16V	
C1607	1-162-917-11	CERAMIC CHIP 15PF 5% 50V	
C1608	1-162-960-11	CERAMIC CHIP 220PF 10% 50V	
C1609	1-100-566-91	CERAMIC CHIP 0.1uF 10% 25V	
C1610	1-100-566-91	CERAMIC CHIP 0.1uF 10% 25V	
C1611	1-100-566-91	CERAMIC CHIP 0.1uF 10% 25V	
C1612	1-162-964-11	CERAMIC CHIP 0.001uF 10% 50V	
C1615	1-100-703-91	CERAMIC CHIP 10uF 10% 25V	
C1700	1-104-329-11	CERAMIC CHIP 0.1uF 10% 50V	
C1701	1-100-703-91	CERAMIC CHIP 10uF 10% 25V	
C1702	1-100-703-91	CERAMIC CHIP 10uF 10% 25V	
C1703	1-100-703-91	CERAMIC CHIP 10uF 10% 25V	
C1704	1-162-970-11	CERAMIC CHIP 0.01uF 10% 25V	

Ref. No.	Part No.	Description	Remark
C1705	1-100-566-91	CERAMIC CHIP 0.1uF 10% 25V	
C1706	1-112-794-11	ELECT CHIP 470uF 20% 16V	
C1707	1-162-923-11	CERAMIC CHIP 47PF 5% 50V	
C1708	1-162-925-11	CERAMIC CHIP 68PF 5% 50V	
C1709	1-100-566-91	CERAMIC CHIP 0.1uF 10% 25V	
C1710	1-100-566-91	CERAMIC CHIP 0.1uF 10% 25V	
C1711	1-100-566-91	CERAMIC CHIP 0.1uF 10% 25V	
C1712	1-100-566-91	CERAMIC CHIP 0.1uF 10% 25V	
C1713	1-100-566-91	CERAMIC CHIP 0.1uF 10% 25V	
C1714	1-162-964-11	CERAMIC CHIP 0.001uF 10% 50V	
C1715	1-100-703-91	CERAMIC CHIP 10uF 10% 25V	
< DIODE >			
D1500	6-501-361-01	DIODE RB051LA-40TR	
D1600	6-501-361-01	DIODE RB051LA-40TR	
D1700	6-501-361-01	DIODE RB051LA-40TR	
< IC >			
IC1500	6-716-575-01	IC TPS54331DR	
IC1600	6-716-575-01	IC TPS54331DR	
IC1700	6-716-575-01	IC TPS54331DR	
< JUMPER RESISTOR >			
JR1713	1-216-296-11	SHORT CHIP 0	
< COIL >			
L1501	1-424-918-21	INDUCTOR 10UH	
L1502	1-424-918-21	INDUCTOR 10UH	
L1601	1-424-918-21	INDUCTOR 10UH	
L1602	1-424-918-21	INDUCTOR 10UH	
L1701	1-424-918-21	INDUCTOR 10UH	
L1702	1-424-918-21	INDUCTOR 10UH	
< RESISTOR >			
R1500	1-216-851-11	METAL CHIP 330K 5% 1/10W	
R1501	1-216-845-11	METAL CHIP 100K 5% 1/10W	
R1502	1-216-847-11	METAL CHIP 150K 5% 1/10W	
R1503	1-216-864-11	SHORT CHIP 0	
R1504	1-218-871-11	METAL CHIP 10K 0.5% 1/10W	
R1505	1-218-851-11	METAL CHIP 1.5K 0.5% 1/10W	
R1506	1-218-847-11	METAL CHIP 1K 0.5% 1/10W	
R1512	1-216-158-00	METAL CHIP 22 5% 1/8W	
R1600	1-216-851-11	METAL CHIP 330K 5% 1/10W	
R1601	1-216-845-11	METAL CHIP 100K 5% 1/10W	
R1602	1-216-847-11	METAL CHIP 150K 5% 1/10W	
R1603	1-216-864-11	SHORT CHIP 0	
R1604	1-218-871-11	METAL CHIP 10K 0.5% 1/10W	
R1605	1-218-851-11	METAL CHIP 1.5K 0.5% 1/10W	
R1606	1-218-847-11	METAL CHIP 1K 0.5% 1/10W	
R1612	1-216-158-00	METAL CHIP 22 5% 1/8W	
R1700	1-216-851-11	METAL CHIP 330K 5% 1/10W	
R1701	1-216-845-11	METAL CHIP 100K 5% 1/10W	
R1702	1-216-843-11	METAL CHIP 68K 5% 1/10W	
R1703	1-218-839-11	METAL CHIP 470 0.5% 1/10W	
R1704	1-218-871-11	METAL CHIP 10K 0.5% 1/10W	
R1705	1-218-851-11	METAL CHIP 1.5K 0.5% 1/10W	
R1712	1-216-158-00	METAL CHIP 22 5% 1/8W	
R1713	1-216-296-11	SHORT CHIP 0	
R1714	1-216-296-11	SHORT CHIP 0	

STR-DN1020

DIGITAL

Ref. No.	Part No.	Description	Remark	Ref. No.	Part No.	Description	Remark
A-1799-443-A		DIGITAL BOARD, COMPLETE (US, CND)		C2266	1-107-882-91	ELECT 100uF 20%	16V
A-1799-535-A		DIGITAL BOARD, COMPLETE (AEP, UK, AUS)		C2267	1-107-882-91	ELECT 100uF 20%	16V

7-685-646-71		SCREW +BVTP 3X8 TYPE2 IT-3		C2268	1-100-581-81	CERAMIC CHIP 0.0047uF 10%	50V
		< CAPACITOR >		C2269	1-137-987-81	CERAMIC CHIP 0.068uF 10%	10V
C2011	1-125-777-11	CERAMIC CHIP 0.1uF	10% 10V	C2270	1-125-777-11	CERAMIC CHIP 0.1uF 10%	10V
C2013	1-107-882-91	ELECT 100uF	20% 16V	C2271	1-107-826-11	CERAMIC CHIP 0.1uF 10%	16V
C2021	1-165-908-11	CERAMIC CHIP 1uF	10% 10V	C2272	1-125-777-11	CERAMIC CHIP 0.1uF 10%	10V
C2024	1-125-777-11	CERAMIC CHIP 0.1uF	10% 10V	C2273	1-125-777-11	CERAMIC CHIP 0.1uF 10%	10V
C2039	1-112-791-11	ELECT CHIP 100uF	20% 16V	C2274	1-125-777-11	CERAMIC CHIP 0.1uF 10%	10V
C2059	1-112-300-91	CERAMIC CHIP 4.7uF	10% 10V	C2302	1-107-826-11	CERAMIC CHIP 0.1uF 10%	16V
C2060	1-112-791-11	ELECT CHIP 100uF	20% 16V	C2303	1-112-080-11	ELECT 470uF	20% 10V
C2070	1-107-826-11	CERAMIC CHIP 0.1uF	10% 16V	C2313	1-107-826-11	CERAMIC CHIP 0.1uF 10%	16V
C2076	1-112-416-11	ELECT 220uF	20% 16V	C2315	1-107-826-11	CERAMIC CHIP 0.1uF 10%	16V
C2089	1-125-777-11	CERAMIC CHIP 0.1uF	10% 10V	C2316	1-125-777-11	CERAMIC CHIP 0.1uF 10%	10V
C2098	1-112-001-81	CERAMIC CHIP 270PF	5% 50V	C2317	1-112-089-11	ELECT 47uF	20% 25V
C2101	1-107-826-11	CERAMIC CHIP 0.1uF	10% 16V	C2352	1-112-089-11	ELECT 47uF	20% 25V
C2102	1-125-777-11	CERAMIC CHIP 0.1uF	10% 10V	C2353	1-125-777-11	CERAMIC CHIP 0.1uF 10%	10V
C2103	1-125-777-11	CERAMIC CHIP 0.1uF	10% 10V	C2433	1-107-826-11	CERAMIC CHIP 0.1uF 10%	16V
C2105	1-125-777-11	CERAMIC CHIP 0.1uF	10% 10V	C2438	1-117-949-81	CERAMIC CHIP 820PF	10% 50V
C2106	1-125-777-11	CERAMIC CHIP 0.1uF	10% 10V	C2439	1-117-949-81	CERAMIC CHIP 820PF	10% 50V
C2107	1-125-777-11	CERAMIC CHIP 0.1uF	10% 10V	C2440	1-112-089-11	ELECT 47uF	20% 25V
C2108	1-125-777-11	CERAMIC CHIP 0.1uF	10% 10V	C2441	1-112-089-11	ELECT 47uF	20% 25V
C2112	1-125-777-11	CERAMIC CHIP 0.1uF	10% 10V	C2443	1-126-204-11	ELECT CHIP 47uF	20% 16V
C2114	1-100-159-91	CERAMIC CHIP 22uF	10% 6.3V	C2451	1-137-980-91	CERAMIC CHIP 0.47uF	10% 50V
C2115	1-164-937-11	CERAMIC CHIP 0.001uF	10% 50V	C2468	1-107-826-11	CERAMIC CHIP 0.1uF	10% 16V
C2117	1-165-989-11	CERAMIC CHIP 10uF	10% 6.3V	C2481	1-125-777-11	CERAMIC CHIP 0.1uF	10% 10V
C2118	1-125-777-11	CERAMIC CHIP 0.1uF	10% 10V	C2482	1-125-777-11	CERAMIC CHIP 0.1uF	10% 10V
C2119	1-125-777-11	CERAMIC CHIP 0.1uF	10% 10V	C2488	1-107-826-11	CERAMIC CHIP 0.1uF 10%	16V
C2121	1-137-980-91	CERAMIC CHIP 0.47uF	10% 50V	C2490	1-107-826-11	CERAMIC CHIP 0.1uF 10%	16V
C2122	1-135-372-31	ELECT 470uF	20% 10V	C2521	1-165-908-11	CERAMIC CHIP 1uF 10%	10V
C2123	1-164-937-11	CERAMIC CHIP 0.001uF	10% 50V	C2522	1-125-777-11	CERAMIC CHIP 0.1uF 10%	10V
C2124	1-164-937-11	CERAMIC CHIP 0.001uF	10% 50V	C2524	1-125-777-11	CERAMIC CHIP 0.1uF 10%	10V
C2126	1-107-826-11	CERAMIC CHIP 0.1uF	10% 16V	C2569	1-100-567-81	CERAMIC CHIP 0.01uF 10%	25V
C2127	1-125-777-11	CERAMIC CHIP 0.1uF	10% 10V	C2572	1-125-777-11	CERAMIC CHIP 0.1uF 10%	10V
C2130	1-125-777-11	CERAMIC CHIP 0.1uF	10% 10V	C2574	1-117-681-11	ELECT CHIP 100uF	20% 16V
C2131	1-112-089-11	ELECT 47uF	20% 25V	C2596	1-112-794-11	ELECT CHIP 470uF	20% 16V
C2133	1-125-777-11	CERAMIC CHIP 0.1uF	10% 10V	C2601	1-112-001-81	CERAMIC CHIP 270PF	5% 50V
C2140	1-107-826-11	CERAMIC CHIP 0.1uF	10% 16V	C2602	1-164-937-11	CERAMIC CHIP 0.001uF 10%	50V
C2146	1-107-826-11	CERAMIC CHIP 0.1uF	10% 16V	C2603	1-164-937-11	CERAMIC CHIP 0.001uF 10%	50V
C2147	1-107-826-11	CERAMIC CHIP 0.1uF	10% 16V	C2604	1-164-937-11	CERAMIC CHIP 0.001uF 10%	50V
C2149	1-125-777-11	CERAMIC CHIP 0.1uF	10% 10V	C2605	1-164-937-11	CERAMIC CHIP 0.001uF 10%	50V
C2156	1-125-777-11	CERAMIC CHIP 0.1uF	10% 10V	C2606	1-164-937-11	CERAMIC CHIP 0.001uF 10%	50V
C2159	1-107-826-11	CERAMIC CHIP 0.1uF	10% 16V	C2607	1-164-937-11	CERAMIC CHIP 0.001uF 10%	50V
C2169	1-125-777-11	CERAMIC CHIP 0.1uF	10% 10V	C2608	1-164-937-11	CERAMIC CHIP 0.001uF 10%	50V
C2170	1-165-989-11	CERAMIC CHIP 10uF	10% 6.3V	C2609	1-164-937-11	CERAMIC CHIP 0.001uF 10%	50V
C2181	1-125-777-11	CERAMIC CHIP 0.1uF	10% 10V	C2610	1-112-001-81	CERAMIC CHIP 270PF	5% 50V
C2183	1-125-777-11	CERAMIC CHIP 0.1uF	10% 10V	C2613	1-164-943-81	CERAMIC CHIP 0.01uF 10%	16V
C2184	1-112-300-91	CERAMIC CHIP 4.7uF	10% 10V	C2615	1-164-943-81	CERAMIC CHIP 0.01uF 10%	16V
C2188	1-125-777-11	CERAMIC CHIP 0.1uF	10% 10V	C2616	1-162-970-11	CERAMIC CHIP 0.01uF 10%	25V
C2189	1-164-935-11	CERAMIC CHIP 470PF	10% 50V	C2618	1-107-826-11	CERAMIC CHIP 0.1uF 10%	16V
C2195	1-126-210-21	ELECT CHIP 220uF	20% 4V	C2619	1-165-989-11	CERAMIC CHIP 10uF	10% 6.3V
C2223	1-112-300-91	CERAMIC CHIP 4.7uF	10% 10V	C2635	1-162-970-11	CERAMIC CHIP 0.01uF 10%	25V
C2235	1-162-970-11	CERAMIC CHIP 0.01uF	10% 25V	C2642	1-112-081-11	ELECT 2200uF	20% 10V
C2239	1-164-856-81	CERAMIC CHIP 18PF	5% 50V				
C2240	1-164-856-81	CERAMIC CHIP 18PF	5% 50V				
C2263	1-165-989-11	CERAMIC CHIP 10uF	10% 6.3V				
C2264	1-107-882-91	ELECT 100uF	20% 16V				
C2265	1-107-882-91	ELECT 100uF	20% 16V				

Ref. No.	Part No.	Description	Remark	Ref. No.	Part No.	Description	Remark
C2643	1-112-081-11	ELECT 2200uF 20%	10V	D2301	6-502-961-01	DI DA2J10100L	
C2644	1-125-777-11	CERAMIC CHIP 0.1uF 10%	10V	D2402	8-719-049-09	DIODE 1SS367-T3SONY (US, CND)	
C2649	1-125-777-11	CERAMIC CHIP 0.1uF 10%	10V	D2403	8-719-049-09	DIODE 1SS367-T3SONY (US, CND)	
C2650	1-125-777-11	CERAMIC CHIP 0.1uF 10%	10V	D2404	6-502-961-01	DI DA2J10100L	
C2653	1-162-970-11	CERAMIC CHIP 0.01uF 10%	25V	D2501	8-719-049-09	DIODE 1SS367-T3SONY	
C2671	1-162-970-11	CERAMIC CHIP 0.01uF 10%	25V	D2603	8-719-049-09	DIODE 1SS367-T3SONY	
C2678	1-112-100-11	ELECT 10uF 20%	50V	D2604	8-719-049-09	DIODE 1SS367-T3SONY	
C2679	1-112-100-11	ELECT 10uF 20%	50V	D2701	8-719-060-48	DIODE RB751V-40TE-17	
C2680	1-112-100-11	ELECT 10uF 20%	50V	D2702	6-500-335-01	DIODE MC2838-T112-1	
C2681	1-112-100-11	ELECT 10uF 20%	50V			< FERRITE BEAD >	
C2682	1-112-100-11	ELECT 10uF 20%	50V	FB2001	1-400-862-11	BEAD, FERRITE	
C2683	1-112-100-11	ELECT 10uF 20%	50V	FB2002	1-216-864-11	SHORT CHIP 0	
C2684	1-112-100-11	ELECT 10uF 20%	50V	FB2003	1-216-864-11	SHORT CHIP 0	
C2685	1-112-100-11	ELECT 10uF 20%	50V	FB2004	1-216-864-11	SHORT CHIP 0	
C2686	1-162-979-11	CERAMIC CHIP 0.0027uF 10%	50V	FB2005	1-216-864-11	SHORT CHIP 0	
C2687	1-162-979-11	CERAMIC CHIP 0.0027uF 10%	50V	FB2006	1-216-864-11	SHORT CHIP 0	
C2688	1-162-979-11	CERAMIC CHIP 0.0027uF 10%	50V	FB2007	1-216-864-11	SHORT CHIP 0	
C2689	1-162-979-11	CERAMIC CHIP 0.0027uF 10%	50V	FB2008	1-216-864-11	SHORT CHIP 0	
C2690	1-162-979-11	CERAMIC CHIP 0.0027uF 10%	50V	FB2101	1-400-862-11	BEAD, FERRITE	
C2691	1-162-979-11	CERAMIC CHIP 0.0027uF 10%	50V	FB2102	1-469-139-21	FERRITE, EMI (SMD) (2012)	
C2692	1-162-979-11	CERAMIC CHIP 0.0027uF 10%	50V	FB2103	1-469-139-21	FERRITE, EMI (SMD) (2012)	
C2693	1-162-979-11	CERAMIC CHIP 0.0027uF 10%	50V	FB2104	1-469-139-21	FERRITE, EMI (SMD) (2012)	
C2694	1-112-001-81	CERAMIC CHIP 270PF 5%	50V	FB2105	1-400-862-11	BEAD, FERRITE	
C2695	1-112-001-81	CERAMIC CHIP 270PF 5%	50V	FB2106	1-469-139-21	FERRITE, EMI (SMD) (2012)	
C2696	1-112-001-81	CERAMIC CHIP 270PF 5%	50V	FB2121	1-400-862-11	BEAD, FERRITE	
C2697	1-112-001-81	CERAMIC CHIP 270PF 5%	50V	FB2201	1-400-862-11	BEAD, FERRITE	
C2699	1-112-001-81	CERAMIC CHIP 270PF 5%	50V	FB2202	1-469-139-21	FERRITE, EMI (SMD) (2012)	
C2721	1-125-777-11	CERAMIC CHIP 0.1uF 10%	10V	FB2203	1-469-139-21	FERRITE, EMI (SMD) (2012)	
C2722	1-125-777-11	CERAMIC CHIP 0.1uF 10%	10V	FB2204	1-400-862-11	BEAD, FERRITE	
C2902	1-125-777-11	CERAMIC CHIP 0.1uF 10%	10V	FB2205	1-400-862-11	BEAD, FERRITE	
C2903	1-112-080-11	ELECT 470uF 20%	10V	FB2206	1-469-139-21	FERRITE, EMI (SMD) (2012)	
C2904	1-112-080-11	ELECT 470uF 20%	10V	FB2207	1-469-139-21	FERRITE, EMI (SMD) (2012)	
C2905	1-112-081-11	ELECT 2200uF 20%	10V	FB2301	1-400-862-11	BEAD, FERRITE	
C2906	1-112-081-11	ELECT 2200uF 20%	10V	FB2302	1-400-862-11	BEAD, FERRITE	
		< CONNECTOR >		FB2601	1-400-862-11	BEAD, FERRITE	
CN2001	1-784-861-51	CONNECTOR, FFC (LIF (NON-ZIF)) 9P		FB2608	1-400-862-11	BEAD, FERRITE	
CN2002	1-568-830-11	CONNECTOR, FFC 11P (AEP, UK, AUS)		FB2615	1-469-139-21	FERRITE, EMI (SMD) (2012)	
CN2003	1-820-125-51	CONNECTOR, FFC/FPC 29P		FB2616	1-469-139-21	FERRITE, EMI (SMD) (2012)	
CN2012	1-784-770-11	CONNECTOR, FFC 9P (US, CND)		FB2619	1-469-139-21	FERRITE, EMI (SMD) (2012)	
CN2101	1-779-855-11	CONNECTOR, BOARD TO BOARD 20P				< IC >	
CN2102	1-779-855-11	CONNECTOR, BOARD TO BOARD 20P		IC2001	6-705-468-01	IC BA33BC0FP-E2	
CN2103	1-779-855-11	CONNECTOR, BOARD TO BOARD 20P		IC2003	6-712-613-01	IC SI-3010KM-TLS	
CN2104	1-785-910-21	CONNECTOR, BOARD TO BOARD 50P		IC2004	6-705-337-01	IC TK11150CSCL-G	
CN2203	1-764-250-21	PIN, CONNECTOR (PC BOARD) 4P		IC2005	6-705-337-01	IC TK11150CSCL-G	
CN2204	1-779-992-11	PIN, CONNECTOR (PWB) 8P		IC2006	6-715-078-01	IC KIA7809AF/API	
CN2401	1-821-182-11	SOCKET, DIN 8P (SIRIUS) (US, CND)		IC2010	6-712-613-01	IC SI-3010KM-TLS	
CN2501	1-764-250-21	PIN, CONNECTOR (PC BOARD) 4P		IC2101	A-1800-098-A	IC MB90F058PF-G-JNE1 (for SERVICE)	
		< DIODE >		IC2102	6-716-745-01	IC PCM9211PTR	
D2002	8-719-053-18	DIODE 1SR154-400TE-25		IC2104	(Not supplied)	IC CAT24C64WI-GT3	
D2018	8-719-049-09	DIODE 1SS367-T3SONY		IC2105	6-707-870-01	IC TC74VHC157FT (EKJ)	
D2020	8-719-049-09	DIODE 1SS367-T3SONY		IC2108	6-706-487-01	IC TC7SH08FU (US, CND)	
D2021	8-719-049-09	DIODE 1SS367-T3SONY		IC2109	6-706-487-01	IC TC7SH08FU (US, CND)	
D2112	6-500-335-01	DIODE MC2838-T112-1		IC2110	6-706-487-01	IC TC7SH08FU (US, CND)	
D2113	6-500-335-01	DIODE MC2838-T112-1		IC2111	8-759-591-61	IC TC7WHU04FU (TE12R)	
D2114	6-500-335-01	DIODE MC2838-T112-1		IC2112	6-600-466-01	IC TORX147L (SONY) (DIGITAL (ASSIGNABLE) OPTICAL SAT/CATV IN)	
D2119	6-502-961-01	DI DA2J10100L		IC2114	6-600-466-01	IC TORX147L (SONY) (TV OPTICAL IN)	
D2201	6-502-961-01	DI DA2J10100L		IC2115	8-759-710-97	IC NJM4565M-D	
D2278	6-502-968-01	DI D2ZJ062M0L		IC2116	8-759-710-97	IC NJM4565M-D	

Note: IC2104 on the DIGITAL board cannot exchange with single. When this part on the DIGITAL board is damaged, exchange the entire mounted board.

STR-DN1020

DIGITAL

Ref. No.	Part No.	Description	Remark	Ref. No.	Part No.	Description	Remark
IC2117	8-759-710-97	IC NJM4565M-D		R2121	1-218-965-11	METAL CHIP 10K 5%	1/16W (US, CND)
IC2118	8-759-710-97	IC NJM4565M-D		R2122	1-216-833-11	METAL CHIP 10K 5%	1/10W
IC2119	6-702-913-01	IC S-80929CNMC-G8ZT2G		R2124	1-218-941-81	METAL CHIP 100 5%	1/16W (US, CND)
IC2120	8-759-698-31	IC TC7WH74FK		R2125	1-218-941-81	METAL CHIP 100 5%	1/16W (US, CND)
IC2121	8-759-523-81	IC TC74VHC08FT (EL)		R2126	1-218-941-81	METAL CHIP 100 5%	1/16W
IC2122	6-707-870-01	IC TC74VHC157FT (EKJ)		R2127	1-218-965-11	METAL CHIP 10K 5%	1/16W
IC2123	6-712-740-01	IC PCM1681PWPR		R2128	1-218-965-11	METAL CHIP 10K 5%	1/16W
		< JACK >		R2129	1-218-941-81	METAL CHIP 100 5%	1/16W
J2000	1-784-431-11	JACK, PIN 1P (DIGITAL (ASSIGNABLE) COAXIAL BD/DVD IN)		R2130	1-218-945-11	METAL CHIP 220 5%	1/16W
		< JUMPER RESISTOR >		R2131	1-218-945-11	METAL CHIP 220 5%	1/16W
JR2000	1-216-296-11	SHORT CHIP 0		R2132	1-218-965-11	METAL CHIP 10K 5%	1/16W
JR2001	1-216-864-11	SHORT CHIP 0		R2133	1-218-965-11	METAL CHIP 10K 5%	1/16W
		< TRANSISTOR >		R2134	1-218-941-81	METAL CHIP 100 5%	1/16W
Q2101	8-729-038-23	TRANSISTOR RT1N141C-TP-1		R2135	1-218-941-81	METAL CHIP 100 5%	1/16W
Q2702	6-551-696-01	TR ISA1235AC1-T112-1EF		R2136	1-218-941-81	METAL CHIP 100 5%	1/16W
Q2703	8-729-620-07	TRANSISTOR 2SC3052EF-T1-LEF		R2138	1-218-941-81	METAL CHIP 100 5%	1/16W
Q2704	8-729-620-07	TRANSISTOR 2SC3052EF-T1-LEF		R2143	1-218-989-11	METAL CHIP 1M 5%	1/16W
Q2705	8-729-038-23	TRANSISTOR RT1N141C-TP-1		R2144	1-218-959-11	METAL CHIP 3.3K 5%	1/16W
Q2706	8-729-038-23	TRANSISTOR RT1N141C-TP-1		R2145	1-218-959-11	METAL CHIP 3.3K 5%	1/16W
		< RESISTOR >		R2146	1-218-941-81	METAL CHIP 100 5%	1/16W
R2006	1-216-805-11	METAL CHIP 47 5%	1/10W	R2147	1-218-965-11	METAL CHIP 10K 5%	1/16W
R2008	1-216-864-11	SHORT CHIP 0		R2151	1-218-965-11	METAL CHIP 10K 5%	1/16W
R2009	1-216-864-11	SHORT CHIP 0		R2152	1-218-965-11	METAL CHIP 10K 5%	1/16W
R2010	1-216-815-11	METAL CHIP 330 5%	1/10W	R2156	1-216-833-11	METAL CHIP 10K 5%	1/10W
R2011	1-218-839-11	METAL CHIP 470 0.5%	1/10W	R2157	1-218-941-81	METAL CHIP 100 5%	1/16W
R2013	1-218-887-11	METAL CHIP 47K 0.5%	1/10W	R2158	1-218-941-81	METAL CHIP 100 5%	1/16W
R2015	1-216-864-11	SHORT CHIP 0		R2159	1-218-941-81	METAL CHIP 100 5%	1/16W
R2019	1-216-864-11	SHORT CHIP 0		R2160	1-216-833-11	METAL CHIP 10K 5%	1/10W
R2021	1-218-965-11	METAL CHIP 10K 5%	1/16W	R2162	1-218-933-11	METAL CHIP 22 5%	1/16W
R2026	1-216-809-11	METAL CHIP 100 5%	1/10W	R2172	1-218-871-11	METAL CHIP 10K 0.5%	1/10W
R2031	1-216-864-11	SHORT CHIP 0		R2173	1-218-879-11	METAL CHIP 22K 0.5%	1/10W
R2041	1-216-809-11	METAL CHIP 100 5%	1/10W	R2204	1-218-953-11	METAL CHIP 1K 5%	1/16W
R2045	1-216-817-11	METAL CHIP 470 5%	1/10W	R2248	1-218-941-81	METAL CHIP 100 5%	1/16W
R2056	1-216-864-11	SHORT CHIP 0		R2249	1-218-941-81	METAL CHIP 100 5%	1/16W
R2072	1-218-871-11	METAL CHIP 10K 0.5%	1/10W	R2251	1-218-949-11	METAL CHIP 470 5%	1/16W
R2073	1-218-875-11	METAL CHIP 15K 0.5%	1/10W	R2252	1-216-841-11	METAL CHIP 47K 5%	1/10W
R2091	1-216-809-11	METAL CHIP 100 5%	1/10W	R2253	1-216-864-11	SHORT CHIP 0	
R2100	1-218-955-11	METAL CHIP 1.5K 5%	1/16W	R2254	1-218-941-81	METAL CHIP 100 5%	1/16W
R2101	1-218-965-11	METAL CHIP 10K 5%	1/16W	R2255	1-218-941-81	METAL CHIP 100 5%	1/16W
R2102	1-218-959-11	METAL CHIP 3.3K 5%	1/16W	R2256	1-218-941-81	METAL CHIP 100 5%	1/16W
R2103	1-218-965-11	METAL CHIP 10K 5%	1/16W	R2258	1-218-941-81	METAL CHIP 100 5%	1/16W
R2104	1-216-833-11	METAL CHIP 10K 5%	1/10W	R2259	1-218-941-81	METAL CHIP 100 5%	1/16W
R2105	1-218-965-11	METAL CHIP 10K 5%	1/16W	R2260	1-218-990-81	SHORT CHIP 0	
R2107	1-218-977-11	METAL CHIP 100K 5%	1/16W	R2261	1-218-965-11	METAL CHIP 10K 5%	1/16W
R2108	1-218-977-11	METAL CHIP 100K 5%	1/16W	R2263	1-216-815-11	METAL CHIP 330 5%	1/10W
R2109	1-218-941-81	METAL CHIP 100 5%	1/16W	R2264	1-216-815-11	METAL CHIP 330 5%	1/10W
R2110	1-218-965-11	METAL CHIP 10K 5%	1/16W	R2265	1-216-815-11	METAL CHIP 330 5%	1/10W
R2111	1-218-941-81	METAL CHIP 100 5%	1/16W	R2266	1-216-815-11	METAL CHIP 330 5%	1/10W
R2112	1-218-965-11	METAL CHIP 10K 5%	1/16W	R2267	1-218-989-11	METAL CHIP 1M 5%	1/16W
R2113	1-216-833-11	METAL CHIP 10K 5%	1/10W	R2268	1-216-864-11	SHORT CHIP 0	
R2116	1-218-941-81	METAL CHIP 100 5%	1/16W	R2269	1-218-990-81	SHORT CHIP 0	
R2117	1-218-973-11	METAL CHIP 47K 5%	1/16W	R2270	1-218-990-81	SHORT CHIP 0	
R2118	1-218-949-11	METAL CHIP 470 5%	1/16W	R2271	1-218-990-81	SHORT CHIP 0	
R2119	1-218-965-11	METAL CHIP 10K 5%	1/16W	R2274	1-216-833-11	METAL CHIP 10K 5%	1/10W
R2120	1-218-965-11	METAL CHIP 10K 5%	1/16W	R2275	1-216-833-11	METAL CHIP 10K 5%	1/10W
				R2276	1-216-833-11	METAL CHIP 10K 5%	1/10W
				R2286	1-216-647-11	METAL CHIP 680 0.5%	1/10W
				R2304	1-218-911-11	METAL CHIP 470K 0.5%	1/10W

DISPLAY

Ref. No.	Part No.	Description	Remark	Ref. No.	Part No.	Description	Remark
C105	1-163-021-91	CERAMIC CHIP 0.01uF 10%	50V	JR104	1-216-296-11	SHORT CHIP	0
C106	1-126-793-11	ELECT 33uF 20%	35V	JR105	1-216-296-11	SHORT CHIP	0
C107	1-115-339-11	CERAMIC CHIP 0.1uF 10%	50V	JR106	1-216-296-11	SHORT CHIP	0
C108	1-163-037-11	CERAMIC CHIP 0.022uF 10%	50V	JR107	1-211-950-11	SHORT CHIP	0
C109	1-128-126-11	ELECT 100uF 20%	25V	JR108	1-216-296-11	SHORT CHIP	0
C110	1-126-796-11	ELECT 22uF 20%	50V	JR109	1-216-296-11	SHORT CHIP	0
C111	1-100-566-91	CERAMIC CHIP 0.1uF 10%	25V	JR110	1-211-950-11	SHORT CHIP	0
C112	1-162-921-11	CERAMIC CHIP 33PF 5%	50V	JR114	1-211-950-11	SHORT CHIP	0
C113	1-100-566-91	CERAMIC CHIP 0.1uF 10%	25V	JR115	1-216-296-11	SHORT CHIP	0
C114	1-164-733-11	CERAMIC CHIP 820PF 10%	50V	JR116	1-211-950-11	SHORT CHIP	0
C115	1-164-733-11	CERAMIC CHIP 820PF 10%	50V	JR119	1-216-296-11	SHORT CHIP	0
C116	1-162-970-11	CERAMIC CHIP 0.01uF 10%	25V	JR120	1-211-950-11	SHORT CHIP	0
C117	1-162-970-11	CERAMIC CHIP 0.01uF 10%	25V	JR121	1-211-950-11	SHORT CHIP	0
C118	1-162-968-11	CERAMIC CHIP 0.0047uF 10%	50V	JR122	1-211-950-11	SHORT CHIP	0
C121	1-100-566-91	CERAMIC CHIP 0.1uF 10%	25V	JR124	1-211-950-11	SHORT CHIP	0
C124	1-162-927-11	CERAMIC CHIP 100PF 5%	50V	JR125	1-211-950-11	SHORT CHIP	0
C126	1-115-339-11	CERAMIC CHIP 0.1uF 10%	50V	JR126	1-216-296-11	SHORT CHIP	0
C127	1-126-795-11	ELECT 10uF 20%	50V	JR127	1-216-296-11	SHORT CHIP	0
C128	1-126-786-11	ELECT 47uF 20%	16V	JR128	1-211-950-11	SHORT CHIP	0
C129	1-126-786-11	ELECT 47uF 20%	16V	JR129	1-216-296-11	SHORT CHIP	0
C130	1-162-966-11	CERAMIC CHIP 0.0022uF 10%	50V	JR130	1-211-950-11	SHORT CHIP	0
C131	1-162-966-11	CERAMIC CHIP 0.0022uF 10%	50V	JR131	1-211-950-11	SHORT CHIP	0
C133	1-100-566-91	CERAMIC CHIP 0.1uF 10%	25V	JR132	1-216-296-11	SHORT CHIP	0
C134	1-162-960-11	CERAMIC CHIP 220PF 10%	50V	JR133	1-216-296-11	SHORT CHIP	0
C135	1-162-921-11	CERAMIC CHIP 33PF 5%	50V	JR134	1-216-296-11	SHORT CHIP	0
		< CONNECTOR >		JR135	1-211-950-11	SHORT CHIP	0
CNS100	1-779-297-11	CONNECTOR, FFC (LIF (NON-ZIF)) 29P		JR136	1-216-864-11	SHORT CHIP	0
		< DIODE >		JR137	1-211-950-11	SHORT CHIP	0
D100	6-502-781-01	DI SELT5E20C-S TP15 (MULTI CHANNEL DECODING)		JR144	1-211-950-11	SHORT CHIP	0
D101	6-500-848-01	DIODE MC2840-T112-1		JR146	1-216-296-11	SHORT CHIP	0
D102	6-500-848-01	DIODE MC2840-T112-1				< COIL >	
D105	6-502-968-01	DI DZ2J062M0L		L100	1-481-757-11	INDUCTOR 22UH	
D107	8-719-049-09	DIODE 1SS367-T3SONY				< FLUORESCENT INDICATOR TUBE >	
D108	8-719-049-09	DIODE 1SS367-T3SONY		ND100	1-483-365-11	VACUUM FLOURESCENT DISPLAY	
D109	8-719-049-09	DIODE 1SS367-T3SONY				< TRANSISTOR >	
D110	8-719-049-09	DIODE 1SS367-T3SONY		Q100	6-550-065-01	TRANSISTOR CPH5504-TL-E	
D111	8-719-049-09	DIODE 1SS367-T3SONY		Q102	8-729-038-23	TRANSISTOR RT1N141C-TP-1	
		< ROTARY ENCODER >				< RESISTOR >	
EN100	1-418-725-41	ENCODER, ROTARY (12 TYPE) (MASTER VOLUME)		R102	1-216-805-11	METAL CHIP 47 5% 1/10W	
EN101	1-418-817-21	ENCODER, ROTARY (INPUT SELECTOR)		R103	1-216-825-11	METAL CHIP 2.2K 5% 1/10W	
		< IC >		R104	1-216-825-11	METAL CHIP 2.2K 5% 1/10W	
IC100	6-600-768-01	IC PNA4823M03S0		R105	1-216-821-11	METAL CHIP 1K 5% 1/10W	
IC102	8-759-710-97	IC NJM4565M-D		R106	1-216-839-11	METAL CHIP 33K 5% 1/10W	
IC103	6-712-613-01	IC SI-3010KM-TLS		R107	1-216-828-11	METAL CHIP 3.9K 5% 1/10W	
		< JACK >		R108	1-216-809-11	METAL CHIP 100 5% 1/10W	
J101	1-819-189-11	PIN JACK 3P (VIDEO 2 IN VIDEO/AUDIO L/R, iPhone/iPod VIDEO)		R109	1-218-879-11	METAL CHIP 22K 0.5% 1/10W	
		< JUMPER RESISTOR >		R110	1-218-871-11	METAL CHIP 10K 0.5% 1/10W	
JR100	1-216-864-11	SHORT CHIP	0	R111	1-218-877-11	METAL CHIP 18K 0.5% 1/10W	
JR101	1-216-296-11	SHORT CHIP	0	R113	1-216-805-11	METAL CHIP 47 5% 1/10W	
JR102	1-216-296-11	SHORT CHIP	0	R114	1-216-801-11	METAL CHIP 22 5% 1/10W	
JR103	1-216-296-11	SHORT CHIP	0	R115	1-216-833-11	METAL CHIP 10K 5% 1/10W	
				R116	1-218-285-11	METAL CHIP 75 5% 1/10W	
				R117	1-216-825-11	METAL CHIP 2.2K 5% 1/10W	
				R118	1-216-825-11	METAL CHIP 2.2K 5% 1/10W	
				R119	1-216-841-11	METAL CHIP 47K 5% 1/10W	

Ref. No.	Part No.	Description	Remark	Ref. No.	Part No.	Description	Remark
R120	1-216-841-11	METAL CHIP 47K	5%	1/10W	C5026	1-107-826-11	CERAMIC CHIP 0.1uF 10% 16V
R121	1-216-833-11	METAL CHIP 10K	5%	1/10W	C5027	1-107-826-11	CERAMIC CHIP 0.1uF 10% 16V
R122	1-216-821-11	METAL CHIP 1K	5%	1/10W	C5028	1-107-826-11	CERAMIC CHIP 0.1uF 10% 16V
R123	1-216-821-11	METAL CHIP 1K	5%	1/10W	C5029	1-107-826-11	CERAMIC CHIP 0.1uF 10% 16V
R124	1-216-815-11	METAL CHIP 330	5%	1/10W	C5030	1-107-826-11	CERAMIC CHIP 0.1uF 10% 16V
R125	1-216-809-11	METAL CHIP 100	5%	1/10W	C5031	1-107-826-11	CERAMIC CHIP 0.1uF 10% 16V
R126	1-216-837-11	METAL CHIP 22K	5%	1/10W	C5032	1-107-826-11	CERAMIC CHIP 0.1uF 10% 16V
R127	1-216-797-11	METAL CHIP 10	5%	1/10W	C5035	1-107-826-11	CERAMIC CHIP 0.1uF 10% 16V
R128	1-216-839-11	METAL CHIP 33K	5%	1/10W	C5036	1-107-826-11	CERAMIC CHIP 0.1uF 10% 16V
R133	1-216-837-11	METAL CHIP 22K	5%	1/10W	C5037	1-107-826-11	CERAMIC CHIP 0.1uF 10% 16V
R134	1-216-833-11	METAL CHIP 10K	5%	1/10W	C5038	1-107-826-11	CERAMIC CHIP 0.1uF 10% 16V
R135	1-216-829-11	METAL CHIP 4.7K	5%	1/10W	C5040	1-107-826-11	CERAMIC CHIP 0.1uF 10% 16V
R136	1-216-833-11	METAL CHIP 10K	5%	1/10W	C5041	1-162-912-11	CERAMIC CHIP 7PF 0.5PF 50V
R137	1-216-837-11	METAL CHIP 22K	5%	1/10W	C5042	1-162-912-11	CERAMIC CHIP 7PF 0.5PF 50V
R138	1-218-446-11	METAL CHIP 1	5%	1/10W	C5044	1-107-826-11	CERAMIC CHIP 0.1uF 10% 16V
R139	1-218-446-11	METAL CHIP 1	5%	1/10W	C5045	1-107-826-11	CERAMIC CHIP 0.1uF 10% 16V
R140	1-218-446-11	METAL CHIP 1	5%	1/10W	C5046	1-107-826-11	CERAMIC CHIP 0.1uF 10% 16V
R141	1-218-446-11	METAL CHIP 1	5%	1/10W	C5047	1-107-826-11	CERAMIC CHIP 0.1uF 10% 16V
R151	1-216-864-11	SHORT CHIP 0			C5049	1-107-826-11	CERAMIC CHIP 0.1uF 10% 16V
R152	1-216-864-11	SHORT CHIP 0			C5050	1-107-826-11	CERAMIC CHIP 0.1uF 10% 16V
R153	1-216-797-11	METAL CHIP 10	5%	1/10W	C5051	1-107-826-11	CERAMIC CHIP 0.1uF 10% 16V
R188	1-216-864-11	SHORT CHIP 0			C5052	1-107-826-11	CERAMIC CHIP 0.1uF 10% 16V
R189	1-216-864-11	SHORT CHIP 0			C5053	1-107-826-11	CERAMIC CHIP 0.1uF 10% 16V
		< SWITCH >			C5054	1-107-826-11	CERAMIC CHIP 0.1uF 10% 16V
S100	1-771-410-21	SWITCH, TACTILE (2CH/A.DIRECT)			C5055	1-165-989-11	CERAMIC CHIP 10uF 10% 6.3V
S101	1-771-410-21	SWITCH, TACTILE (A.F.D.)			C5056	1-107-826-11	CERAMIC CHIP 0.1uF 10% 16V
S102	1-771-410-21	SWITCH, TACTILE (MOVIE (HD-D.C.S.))			C5057	1-107-826-11	CERAMIC CHIP 0.1uF 10% 16V
S103	1-771-410-21	SWITCH, TACTILE (MUSIC)			C5058	1-107-826-11	CERAMIC CHIP 0.1uF 10% 16V
S104	1-771-410-21	SWITCH, TACTILE (DIMMER)			C5059	1-107-826-11	CERAMIC CHIP 0.1uF 10% 16V
S105	1-771-410-21	SWITCH, TACTILE (DISPLAY)			C5060	1-107-826-11	CERAMIC CHIP 0.1uF 10% 16V
S106	1-771-410-21	SWITCH, TACTILE (INPUT MODE)			C5061	1-107-826-11	CERAMIC CHIP 0.1uF 10% 16V
		< TRANSFORMER >			C5062	1-107-826-11	CERAMIC CHIP 0.1uF 10% 16V
T100	1-443-645-11	TRANSFORMER, DC CONVERTER			C5063	1-107-826-11	CERAMIC CHIP 0.1uF 10% 16V
		*****			C5064	1-107-826-11	CERAMIC CHIP 0.1uF 10% 16V
	A-1830-042-A	DSP BOARD, COMPLETE			C5065	1-107-826-11	CERAMIC CHIP 0.1uF 10% 16V
		*****			C5066	1-165-989-11	CERAMIC CHIP 10uF 10% 6.3V
		< CAPACITOR >			C5067	1-107-826-11	CERAMIC CHIP 0.1uF 10% 16V
C5000	1-107-826-11	CERAMIC CHIP 0.1uF	10%	16V	C5068	1-165-989-11	CERAMIC CHIP 10uF 10% 6.3V
C5001	1-107-826-11	CERAMIC CHIP 0.1uF	10%	16V	C5069	1-114-385-11	ELECT CHIP 470uF 20% 6.3V
C5002	1-107-826-11	CERAMIC CHIP 0.1uF	10%	16V	C5070	1-107-826-11	CERAMIC CHIP 0.1uF 10% 16V
C5003	1-107-826-11	CERAMIC CHIP 0.1uF	10%	16V	C5071	1-165-989-11	CERAMIC CHIP 10uF 10% 6.3V
C5004	1-125-777-11	CERAMIC CHIP 0.1uF	10%	10V	C5072	1-114-385-11	ELECT CHIP 470uF 20% 6.3V
C5005	1-107-826-11	CERAMIC CHIP 0.1uF	10%	16V	C5073	1-126-208-21	ELECT CHIP 47uF 20% 4V
C5006	1-107-826-11	CERAMIC CHIP 0.1uF	10%	16V	C5074	1-165-908-11	CERAMIC CHIP 1uF 10% 10V
C5007	1-107-826-11	CERAMIC CHIP 0.1uF	10%	16V	C5076	1-165-908-11	CERAMIC CHIP 1uF 10% 10V
C5008	1-165-989-11	CERAMIC CHIP 10uF	10%	6.3V	C5077	1-165-989-11	CERAMIC CHIP 10uF 10% 6.3V
C5009	1-114-385-11	ELECT CHIP 470uF	20%	6.3V	C5078	1-165-989-11	CERAMIC CHIP 10uF 10% 6.3V
C5016	1-107-826-11	CERAMIC CHIP 0.1uF	10%	16V	C5079	1-165-908-11	CERAMIC CHIP 1uF 10% 10V
C5017	1-107-826-11	CERAMIC CHIP 0.1uF	10%	16V	C5081	1-165-989-11	CERAMIC CHIP 10uF 10% 6.3V
C5018	1-107-826-11	CERAMIC CHIP 0.1uF	10%	16V	C5082	1-165-989-11	CERAMIC CHIP 10uF 10% 6.3V
C5019	1-107-826-11	CERAMIC CHIP 0.1uF	10%	16V	C5083	1-165-989-11	CERAMIC CHIP 10uF 10% 6.3V
C5020	1-107-826-11	CERAMIC CHIP 0.1uF	10%	16V	C5084	1-165-989-11	CERAMIC CHIP 10uF 10% 6.3V
C5021	1-107-826-11	CERAMIC CHIP 0.1uF	10%	16V			< CONNECTOR >
C5022	1-107-826-11	CERAMIC CHIP 0.1uF	10%	16V	CN5001	1-815-136-21	CONNECTOR, BOARD TO BOARD
C5023	1-107-826-11	CERAMIC CHIP 0.1uF	10%	16V			< EARTH TERMINAL >
C5024	1-107-826-11	CERAMIC CHIP 0.1uF	10%	16V	* ET5000	1-780-408-11	TERMINAL, LUG
C5025	1-107-826-11	CERAMIC CHIP 0.1uF	10%	16V			

STR-DN1020

DSP D-VIDEO NW

Ref. No.	Part No.	Description	Remark
< FERRITE BEAD >			
FB5000	1-400-862-11	BEAD, FERRITE	
FB5085	1-400-862-11	BEAD, FERRITE	
< FILTER >			
FL5003	1-400-874-11	FILTER, EMI REMOVAL (SMD)	
< IC >			
IC5000	6-716-354-01	IC W9864G6JH-6-ER10	
IC5001	(Not supplied)	IC ADSST-AVR-3011	
IC5002	A-1796-760-A	IC W25Q16BVSSIG (for SERVICE)	
IC5003	6-716-471-01	IC SI-3010LLSL-TL	
< RESISTOR >			
R5001	1-216-811-11	METAL CHIP 150	5% 1/10W
R5002	1-216-801-11	METAL CHIP 22	5% 1/10W
R5003	1-216-811-11	METAL CHIP 150	5% 1/10W
R5004	1-216-811-11	METAL CHIP 150	5% 1/10W
R5005	1-216-811-11	METAL CHIP 150	5% 1/10W
R5006	1-216-811-11	METAL CHIP 150	5% 1/10W
R5007	1-216-833-11	METAL CHIP 10K	5% 1/10W
R5008	1-216-811-11	METAL CHIP 150	5% 1/10W
R5009	1-216-811-11	METAL CHIP 150	5% 1/10W
R5010	1-216-811-11	METAL CHIP 150	5% 1/10W
R5011	1-216-811-11	METAL CHIP 150	5% 1/10W
R5012	1-218-943-11	METAL CHIP 150	5% 1/16W
R5013	1-218-943-11	METAL CHIP 150	5% 1/16W
R5014	1-216-807-11	METAL CHIP 68	5% 1/10W
R5015	1-216-811-11	METAL CHIP 150	5% 1/10W
R5016	1-216-811-11	METAL CHIP 150	5% 1/10W
R5017	1-216-811-11	METAL CHIP 150	5% 1/10W
R5018	1-218-943-11	METAL CHIP 150	5% 1/16W
R5019	1-218-943-11	METAL CHIP 150	5% 1/16W
R5020	1-218-943-11	METAL CHIP 150	5% 1/16W
R5021	1-218-943-11	METAL CHIP 150	5% 1/16W
R5022	1-218-943-11	METAL CHIP 150	5% 1/16W
R5023	1-216-811-11	METAL CHIP 150	5% 1/10W
R5024	1-216-801-11	METAL CHIP 22	5% 1/10W
R5025	1-216-801-11	METAL CHIP 22	5% 1/10W
R5026	1-216-801-11	METAL CHIP 22	5% 1/10W
R5029	1-216-801-11	METAL CHIP 22	5% 1/10W
R5031	1-216-801-11	METAL CHIP 22	5% 1/10W
R5032	1-216-801-11	METAL CHIP 22	5% 1/10W
R5034	1-216-833-11	METAL CHIP 10K	5% 1/10W
R5035	1-216-833-11	METAL CHIP 10K	5% 1/10W
R5036	1-216-801-11	METAL CHIP 22	5% 1/10W
R5037	1-216-801-11	METAL CHIP 22	5% 1/10W
R5038	1-216-801-11	METAL CHIP 22	5% 1/10W
R5039	1-216-801-11	METAL CHIP 22	5% 1/10W
R5040	1-216-801-11	METAL CHIP 22	5% 1/10W
R5041	1-216-801-11	METAL CHIP 22	5% 1/10W
R5042	1-216-801-11	METAL CHIP 22	5% 1/10W
R5043	1-216-801-11	METAL CHIP 22	5% 1/10W
R5044	1-216-801-11	METAL CHIP 22	5% 1/10W
R5046	1-216-801-11	METAL CHIP 22	5% 1/10W
R5047	1-216-801-11	METAL CHIP 22	5% 1/10W
R5048	1-216-833-11	METAL CHIP 10K	5% 1/10W
R5049	1-216-801-11	METAL CHIP 22	5% 1/10W
R5050	1-216-801-11	METAL CHIP 22	5% 1/10W

Ref. No.	Part No.	Description	Remark
R5051	1-216-801-11	METAL CHIP 22	5% 1/10W
R5052	1-216-801-11	METAL CHIP 22	5% 1/10W
R5053	1-216-833-11	METAL CHIP 10K	5% 1/10W
R5054	1-216-864-11	SHORT CHIP 0	
R5056	1-216-857-11	METAL CHIP 1M	5% 1/10W
R5061	1-216-833-11	METAL CHIP 10K	5% 1/10W
R5063	1-216-801-11	METAL CHIP 22	5% 1/10W
R5064	1-216-801-11	METAL CHIP 22	5% 1/10W
R5065	1-216-833-11	METAL CHIP 10K	5% 1/10W
R5066	1-216-833-11	METAL CHIP 10K	5% 1/10W
R5067	1-216-833-11	METAL CHIP 10K	5% 1/10W
R5068	1-216-825-11	METAL CHIP 2.2K	5% 1/10W
R5072	1-216-801-11	METAL CHIP 22	5% 1/10W
R5073	1-216-801-11	METAL CHIP 22	5% 1/10W
R5074	1-216-801-11	METAL CHIP 22	5% 1/10W
R5075	1-216-845-11	METAL CHIP 100K	5% 1/10W
R5076	1-216-821-11	METAL CHIP 1K	5% 1/10W
R5077	1-216-813-11	METAL CHIP 220	5% 1/10W
R5078	1-216-801-11	METAL CHIP 22	5% 1/10W
R5079	1-216-833-11	METAL CHIP 10K	5% 1/10W
R5080	1-216-801-11	METAL CHIP 22	5% 1/10W
R5081	1-216-825-11	METAL CHIP 2.2K	5% 1/10W
R5082	1-216-801-11	METAL CHIP 22	5% 1/10W
R5085	1-216-864-11	SHORT CHIP 0	
R5086	1-218-871-11	METAL CHIP 10K	0.5% 1/10W
R5087	1-218-871-11	METAL CHIP 10K	0.5% 1/10W
R5088	1-216-864-11	SHORT CHIP 0	
R5089	1-218-855-11	METAL CHIP 2.2K	0.5% 1/10W
R5092	1-216-864-11	SHORT CHIP 0	
R5095	1-216-833-11	METAL CHIP 10K	5% 1/10W
R5097	1-216-833-11	METAL CHIP 10K	5% 1/10W
R5098	1-216-833-11	METAL CHIP 10K	5% 1/10W
R5099	1-216-833-11	METAL CHIP 10K	5% 1/10W
R5100	1-216-833-11	METAL CHIP 10K	5% 1/10W
R5101	1-216-811-11	METAL CHIP 150	5% 1/10W
R5102	1-216-833-11	METAL CHIP 10K	5% 1/10W
R5104	1-216-864-11	SHORT CHIP 0	
R5105	1-216-864-11	SHORT CHIP 0	
< COMPOSITION CIRCUIT BLOCK >			
RB5000	1-200-051-21	RES, NETWORK 150 (1005X4)	
RB5001	1-200-051-21	RES, NETWORK 150 (1005X4)	
RB5002	1-200-051-21	RES, NETWORK 150 (1005X4)	
RB5003	1-200-051-21	RES, NETWORK 150 (1005X4)	
< VIBRATOR >			
X5000	1-814-242-11	VIBRATOR, CRYSTAL (25MHZ)	

Ⓔ	A-1794-695-A	D-VIDEO NW BOARD, COMPLETE (for SERVICE)	

< CAPACITOR >			
C3000	1-125-777-11	CERAMIC CHIP 0.1uF	10% 10V
C3004	1-125-777-11	CERAMIC CHIP 0.1uF	10% 10V
C3005	1-128-994-21	ELECT CHIP 47uF	20% 10V
C3006	1-125-777-11	CERAMIC CHIP 0.1uF	10% 10V
C3007	1-164-937-11	CERAMIC CHIP 0.001uF	10% 50V
C3008	1-112-746-11	CERAMIC CHIP 4.7uF	10% 6.3V
C3011	1-125-777-11	CERAMIC CHIP 0.1uF	10% 10V
C3012	1-125-777-11	CERAMIC CHIP 0.1uF	10% 10V

Note: IC5001 on the DSP board cannot exchange with single. When this part on the DSP board is damaged, exchange the entire mounted board.

D-VIDEO NW

Ref. No.	Part No.	Description			Remark	Ref. No.	Part No.	Description			Remark
C3302	1-112-717-91	CERAMIC CHIP	1uF	10%	6.3V	C3551	1-112-746-11	CERAMIC CHIP	4.7uF	10%	6.3V
C3303	1-125-777-11	CERAMIC CHIP	0.1uF	10%	10V	C3552	1-112-746-11	CERAMIC CHIP	4.7uF	10%	6.3V
C3304	1-125-777-11	CERAMIC CHIP	0.1uF	10%	10V	C3555	1-125-777-11	CERAMIC CHIP	0.1uF	10%	10V
C3305	1-125-777-11	CERAMIC CHIP	0.1uF	10%	10V	C3556	1-125-777-11	CERAMIC CHIP	0.1uF	10%	10V
C3306	1-125-777-11	CERAMIC CHIP	0.1uF	10%	10V	C3557	1-125-777-11	CERAMIC CHIP	0.1uF	10%	10V
C3307	1-112-717-91	CERAMIC CHIP	1uF	10%	6.3V	C3558	1-125-777-11	CERAMIC CHIP	0.1uF	10%	10V
C3308	1-125-777-11	CERAMIC CHIP	0.1uF	10%	10V	C3559	1-164-850-11	CERAMIC CHIP	10PF	0.5PF	50V
C3309	1-125-777-11	CERAMIC CHIP	0.1uF	10%	10V	C3561	1-125-777-11	CERAMIC CHIP	0.1uF	10%	10V
C3310	1-125-777-11	CERAMIC CHIP	0.1uF	10%	10V	C3562	1-125-777-11	CERAMIC CHIP	0.1uF	10%	10V
C3311	1-164-937-11	CERAMIC CHIP	0.001uF	10%	50V	C3563	1-125-777-11	CERAMIC CHIP	0.1uF	10%	10V
C3312	1-164-937-11	CERAMIC CHIP	0.001uF	10%	50V	C3564	1-125-777-11	CERAMIC CHIP	0.1uF	10%	10V
C3313	1-164-937-11	CERAMIC CHIP	0.001uF	10%	50V	C3566	1-125-777-11	CERAMIC CHIP	0.1uF	10%	10V
C3314	1-164-937-11	CERAMIC CHIP	0.001uF	10%	50V	C3567	1-125-777-11	CERAMIC CHIP	0.1uF	10%	10V
C3316	1-164-937-11	CERAMIC CHIP	0.001uF	10%	50V	C3568	1-125-777-11	CERAMIC CHIP	0.1uF	10%	10V
C3317	1-112-717-91	CERAMIC CHIP	1uF	10%	6.3V	C3569	1-125-777-11	CERAMIC CHIP	0.1uF	10%	10V
C3318	1-112-717-91	CERAMIC CHIP	1uF	10%	6.3V	C3570	1-125-777-11	CERAMIC CHIP	0.1uF	10%	10V
C3323	1-164-937-11	CERAMIC CHIP	0.001uF	10%	50V	C3571	1-128-994-21	ELECT CHIP	47uF	20%	10V
C3324	1-164-937-11	CERAMIC CHIP	0.001uF	10%	50V	C3572	1-128-994-21	ELECT CHIP	47uF	20%	10V
C3325	1-164-937-11	CERAMIC CHIP	0.001uF	10%	50V	C3573	1-128-994-21	ELECT CHIP	47uF	20%	10V
C3326	1-164-937-11	CERAMIC CHIP	0.001uF	10%	50V	C3574	1-165-492-21	ELECT CHIP	100uF	20%	10V
C3500	1-100-354-21	ELECT CHIP	220uF	20%	6.3V	C3575	1-165-492-21	ELECT CHIP	100uF	20%	10V
C3501	1-128-994-21	ELECT CHIP	47uF	20%	10V	C3578	1-164-935-11	CERAMIC CHIP	470PF	10%	50V
C3502	1-125-777-11	CERAMIC CHIP	0.1uF	10%	10V	C3583	1-112-717-91	CERAMIC CHIP	1uF	10%	6.3V
C3503	1-125-777-11	CERAMIC CHIP	0.1uF	10%	10V	C3584	1-125-777-11	CERAMIC CHIP	0.1uF	10%	10V
C3504	1-125-777-11	CERAMIC CHIP	0.1uF	10%	10V	C3585	1-112-717-91	CERAMIC CHIP	1uF	10%	6.3V
C3505	1-165-492-21	ELECT CHIP	100uF	20%	10V	C3590	1-112-717-91	CERAMIC CHIP	1uF	10%	6.3V
C3506	1-128-994-21	ELECT CHIP	47uF	20%	10V	C3591	1-112-717-91	CERAMIC CHIP	1uF	10%	6.3V
C3507	1-125-777-11	CERAMIC CHIP	0.1uF	10%	10V	C3592	1-112-717-91	CERAMIC CHIP	1uF	10%	6.3V
C3511	1-124-779-00	ELECT CHIP	10uF	20%	16V	C3593	1-112-717-91	CERAMIC CHIP	1uF	10%	6.3V
C3512	1-165-492-21	ELECT CHIP	100uF	20%	10V	C3594	1-164-850-11	CERAMIC CHIP	10PF	0.5PF	50V
C3514	1-112-717-91	CERAMIC CHIP	1uF	10%	6.3V	C3600	1-112-746-11	CERAMIC CHIP	4.7uF	10%	6.3V
C3515	1-125-777-11	CERAMIC CHIP	0.1uF	10%	10V	C3601	1-164-937-11	CERAMIC CHIP	0.001uF	10%	50V
C3516	1-128-994-21	ELECT CHIP	47uF	20%	10V	C3603	1-164-937-11	CERAMIC CHIP	0.001uF	10%	50V
C3517	1-125-777-11	CERAMIC CHIP	0.1uF	10%	10V	C3604	1-164-937-11	CERAMIC CHIP	0.001uF	10%	50V
C3518	1-112-717-91	CERAMIC CHIP	1uF	10%	6.3V	C3606	1-164-937-11	CERAMIC CHIP	0.001uF	10%	50V
C3519	1-125-777-11	CERAMIC CHIP	0.1uF	10%	10V	C3607	1-164-937-11	CERAMIC CHIP	0.001uF	10%	50V
C3520	1-112-717-91	CERAMIC CHIP	1uF	10%	6.3V	C3643	1-125-777-11	CERAMIC CHIP	0.1uF	10%	10V
C3521	1-112-717-91	CERAMIC CHIP	1uF	10%	6.3V	C3646	1-112-717-91	CERAMIC CHIP	1uF	10%	6.3V
C3523	1-125-777-11	CERAMIC CHIP	0.1uF	10%	10V	C3647	1-164-937-11	CERAMIC CHIP	0.001uF	10%	50V
C3524	1-125-777-11	CERAMIC CHIP	0.1uF	10%	10V	C3548	1-164-937-11	CERAMIC CHIP	0.001uF	10%	50V
C3525	1-125-777-11	CERAMIC CHIP	0.1uF	10%	10V	C3649	1-164-937-11	CERAMIC CHIP	0.001uF	10%	50V
C3526	1-125-777-11	CERAMIC CHIP	0.1uF	10%	10V	C3658	1-112-300-91	CERAMIC CHIP	4.7uF	10%	10V
C3527	1-125-777-11	CERAMIC CHIP	0.1uF	10%	10V	C3801	1-128-994-21	ELECT CHIP	47uF	20%	10V
C3528	1-125-777-11	CERAMIC CHIP	0.1uF	10%	10V	C3802	1-115-467-11	CERAMIC CHIP	0.22uF	10%	10V
C3529	1-125-777-11	CERAMIC CHIP	0.1uF	10%	10V	C3803	1-115-467-11	CERAMIC CHIP	0.22uF	10%	10V
C3530	1-125-777-11	CERAMIC CHIP	0.1uF	10%	10V	C3804	1-115-467-11	CERAMIC CHIP	0.22uF	10%	10V
C3531	1-125-777-11	CERAMIC CHIP	0.1uF	10%	10V	C3805	1-125-777-11	CERAMIC CHIP	0.1uF	10%	10V
C3532	1-125-777-11	CERAMIC CHIP	0.1uF	10%	10V	C3806	1-125-777-11	CERAMIC CHIP	0.1uF	10%	10V
C3533	1-125-777-11	CERAMIC CHIP	0.1uF	10%	10V	C3807	1-164-937-11	CERAMIC CHIP	0.001uF	10%	50V
C3534	1-125-777-11	CERAMIC CHIP	0.1uF	10%	10V	C3808	1-117-446-81	CERAMIC CHIP	0.0039uF	10%	16V
C3535	1-125-777-11	CERAMIC CHIP	0.1uF	10%	10V	C3809	1-117-949-81	CERAMIC CHIP	820PF	10%	50V
C3536	1-125-777-11	CERAMIC CHIP	0.1uF	10%	10V	C3810	1-115-467-11	CERAMIC CHIP	0.22uF	10%	10V
C3537	1-125-777-11	CERAMIC CHIP	0.1uF	10%	10V	C3811	1-165-492-21	ELECT CHIP	100uF	20%	10V
C3538	1-164-852-11	CERAMIC CHIP	12PF	5%	50V	C3812	1-165-989-11	CERAMIC CHIP	10uF	10%	6.3V
C3540	1-164-850-11	CERAMIC CHIP	10PF	0.5PF	50V	C3813	1-115-467-11	CERAMIC CHIP	0.22uF	10%	10V
C3541	1-125-777-11	CERAMIC CHIP	0.1uF	10%	10V	C3814	1-115-467-11	CERAMIC CHIP	0.22uF	10%	10V
C3542	1-125-777-11	CERAMIC CHIP	0.1uF	10%	10V	C3815	1-164-943-81	CERAMIC CHIP	0.01uF	10%	16V
C3543	1-125-777-11	CERAMIC CHIP	0.1uF	10%	10V	C3816	1-115-467-11	CERAMIC CHIP	0.22uF	10%	10V
C3549	1-112-746-11	CERAMIC CHIP	4.7uF	10%	6.3V	C3817	1-115-467-11	CERAMIC CHIP	0.22uF	10%	10V
C3550	1-112-746-11	CERAMIC CHIP	4.7uF	10%	6.3V	C3822	1-164-943-81	CERAMIC CHIP	0.01uF	10%	16V

Ref. No.	Part No.	Description	Remark	Ref. No.	Part No.	Description	Remark
C3823	1-125-777-11	CERAMIC CHIP 0.1uF	10% 10V	C7066	1-125-777-11	CERAMIC CHIP 0.1uF	10% 10V
C3824	1-164-937-11	CERAMIC CHIP 0.001uF	10% 50V	C7067	1-164-933-11	CERAMIC CHIP 220PF	10% 50V
C3825	1-164-937-11	CERAMIC CHIP 0.001uF	10% 50V	C7068	1-164-933-11	CERAMIC CHIP 220PF	10% 50V
C3826	1-125-777-11	CERAMIC CHIP 0.1uF	10% 10V	C7075	1-162-979-11	CERAMIC CHIP 0.0027uF	10% 50V
C3827	1-125-777-11	CERAMIC CHIP 0.1uF	10% 10V	C7076	1-162-979-11	CERAMIC CHIP 0.0027uF	10% 50V
C3828	1-164-937-11	CERAMIC CHIP 0.001uF	10% 50V	C7077	1-100-159-91	CERAMIC CHIP 22uF	10% 6.3V
C3830	1-125-777-11	CERAMIC CHIP 0.1uF	10% 10V			< CONNECTOR >	
C3831	1-164-937-11	CERAMIC CHIP 0.001uF	10% 50V	CN3000	1-784-859-51	CONNECTOR, FFC (LIF (NON-ZIF)) 7P	
C7004	1-125-777-11	CERAMIC CHIP 0.1uF	10% 10V	CN3005	1-766-383-21	PIN, CONNECTOR (1.5MM) (SMD) 12P	
C7005	1-125-777-11	CERAMIC CHIP 0.1uF	10% 10V	* CN3006	1-785-517-11	CONNECTOR, BOARD TO BOARD 15P	
C7006	1-125-777-11	CERAMIC CHIP 0.1uF	10% 10V	CN3007	1-817-097-21	PIN, CONNECTOR (1.5MM) (SMD) 13P	
C7007	1-164-874-11	CERAMIC CHIP 100PF	5% 50V	CN3200	1-779-992-11	PIN, CONNECTOR (PWB) 8P	
C7008	1-127-573-11	CERAMIC CHIP 1uF	10% 16V	CN3500	1-821-398-31	HDMI CONNECTOR	
C7009	1-127-573-11	CERAMIC CHIP 1uF	10% 16V			(HDMI ASSIGNABLE (INPUT ONLY) TV OUT ARC)	
C7010	1-125-777-11	CERAMIC CHIP 0.1uF	10% 10V	CN3501	1-821-398-31	HDMI CONNECTOR	
C7011	1-125-777-11	CERAMIC CHIP 0.1uF	10% 10V			(HDMI ASSIGNABLE (INPUT ONLY) VIDEO 1)	
C7012	1-164-854-11	CERAMIC CHIP 15PF	5% 50V	CN3502	1-821-398-31	HDMI CONNECTOR	
C7013	1-164-854-11	CERAMIC CHIP 15PF	5% 50V			(HDMI ASSIGNABLE (INPUT ONLY) SAT/CATV)	
C7014	1-164-870-11	CERAMIC CHIP 68PF	5% 50V	CN3503	1-821-398-31	HDMI CONNECTOR	
C7015	1-164-870-11	CERAMIC CHIP 68PF	5% 50V			(HDMI ASSIGNABLE (INPUT ONLY) GAME)	
C7016	1-114-472-91	CERAMIC CHIP 0.001uF	10% 2KV	CN3504	1-821-398-31	HDMI CONNECTOR	
C7017	1-164-937-11	CERAMIC CHIP 0.001uF	10% 50V			(HDMI ASSIGNABLE (INPUT ONLY) BD/DVD)	
C7018	1-165-492-21	ELECT CHIP 100uF	20% 10V	CN3510	1-785-728-21	PIN (PC BOARD), CONNECTOR 7P	
C7019	1-125-777-11	CERAMIC CHIP 0.1uF	10% 10V	CN3525	1-564-320-00	PIN, CONNECTOR (3.96mm PITCH) 2P	
C7020	1-164-854-11	CERAMIC CHIP 15PF	5% 50V	CN3800	1-816-296-21	PIN, CONNECTOR (PC BOARD) 9P	
C7021	1-164-870-11	CERAMIC CHIP 68PF	5% 50V	CN7001	1-842-160-11	CONNECTOR, BOARD TO BOARD 120P	
C7022	1-125-777-11	CERAMIC CHIP 0.1uF	10% 10V	CN7002	1-815-920-11	JACK, MODULAR (ㄇㄅ)	
C7023	1-164-004-11	CERAMIC CHIP 0.1uF	10% 25V	* CN7003	1-691-591-11	PIN, CONNECTOR (1.5MM) (SMD) 8P	
C7024	1-164-004-11	CERAMIC CHIP 0.1uF	10% 25V			< DIODE >	
C7025	1-165-492-21	ELECT CHIP 100uF	20% 10V	D3000	8-719-049-09	DIODE 1SS367-T3SONY	
C7026	1-127-573-11	CERAMIC CHIP 1uF	10% 16V	D3001	8-719-049-09	DIODE 1SS367-T3SONY	
C7028	1-125-777-11	CERAMIC CHIP 0.1uF	10% 10V	D3003	8-719-049-09	DIODE 1SS367-T3SONY	
C7029	1-125-777-11	CERAMIC CHIP 0.1uF	10% 10V	D3004	8-719-049-09	DIODE 1SS367-T3SONY	
C7030	1-127-573-11	CERAMIC CHIP 1uF	10% 16V	D3201	6-502-398-01	DI SA10QA04	
C7031	1-164-854-11	CERAMIC CHIP 15PF	5% 50V	D3202	6-502-398-01	DI SA10QA04	
C7032	1-164-854-11	CERAMIC CHIP 15PF	5% 50V	D3511	6-502-398-01	DI SA10QA04	
C7033	1-164-854-11	CERAMIC CHIP 15PF	5% 50V	D3513	6-502-398-01	DI SA10QA04	
C7034	1-164-854-11	CERAMIC CHIP 15PF	5% 50V	D3514	6-502-398-01	DI SA10QA04	
C7035	1-164-854-11	CERAMIC CHIP 15PF	5% 50V	D3515	6-502-398-01	DI SA10QA04	
C7036	1-164-870-11	CERAMIC CHIP 68PF	5% 50V	D3516	6-502-398-01	DI SA10QA04	
C7037	1-164-870-11	CERAMIC CHIP 68PF	5% 50V	D7001	6-501-361-01	DIODE RB051LA-40TR	
C7038	1-164-870-11	CERAMIC CHIP 68PF	5% 50V	D7002	8-719-049-09	DIODE 1SS367-T3SONY	
C7039	1-164-870-11	CERAMIC CHIP 68PF	5% 50V	D7003	8-719-049-09	DIODE 1SS367-T3SONY	
C7040	1-164-874-11	CERAMIC CHIP 100PF	5% 50V	D7004	8-719-049-09	DIODE 1SS367-T3SONY	
C7042	1-164-870-11	CERAMIC CHIP 68PF	5% 50V	D7005	8-719-049-09	DIODE 1SS367-T3SONY	
C7043	1-125-777-11	CERAMIC CHIP 0.1uF	10% 10V	D7006	8-719-049-09	DIODE 1SS367-T3SONY	
C7045	1-125-777-11	CERAMIC CHIP 0.1uF	10% 10V	D7007	6-501-361-01	DIODE RB051LA-40TR	
C7047	1-164-004-11	CERAMIC CHIP 0.1uF	10% 25V			< EARTH TERMINAL >	
C7048	1-165-492-21	ELECT CHIP 100uF	20% 10V	* ET3500	1-780-408-11	TERMINAL, LUG	
C7049	1-124-779-00	ELECT CHIP 10uF	20% 16V	* ET3504	1-780-408-11	TERMINAL, LUG	
C7050	1-165-492-21	ELECT CHIP 100uF	20% 10V	* ET7000	1-780-408-11	TERMINAL, LUG	
C7051	1-124-779-00	ELECT CHIP 10uF	20% 16V	* ET7001	1-780-408-11	TERMINAL, LUG	
C7052	1-164-004-11	CERAMIC CHIP 0.1uF	10% 25V			< FERRITE BEAD >	
C7054	1-124-779-00	ELECT CHIP 10uF	20% 16V	FB3000	1-400-862-11	BEAD, FERRITE	
C7055	1-124-779-00	ELECT CHIP 10uF	20% 16V	FB3001	1-400-862-11	BEAD, FERRITE	
C7056	1-124-779-00	ELECT CHIP 10uF	20% 16V	FB3002	1-469-139-21	FERRITE, EMI (SMD) (2012)	
C7057	1-124-779-00	ELECT CHIP 10uF	20% 16V	FB3003	1-469-139-21	FERRITE, EMI (SMD) (2012)	
C7063	1-164-937-11	CERAMIC CHIP 0.001uF	10% 50V				
C7064	1-164-937-11	CERAMIC CHIP 0.001uF	10% 50V				
C7065	1-112-717-91	CERAMIC CHIP 1uF	10% 6.3V				

STR-DN1020

D-VIDEO NW

Ref. No.	Part No.	Description	Remark	Ref. No.	Part No.	Description	Remark
FB3004	1-400-862-11	BEAD, FERRITE				< COIL >	
FB3201	1-400-862-11	BEAD, FERRITE		L3501	1-469-525-91	INDUCTOR 10UH	
FB3202	1-400-862-11	BEAD, FERRITE		L3502	1-469-525-91	INDUCTOR 10UH	
FB3204	1-400-862-11	BEAD, FERRITE		L3505	1-469-525-91	INDUCTOR 10UH	
* FB3206	1-400-973-21	INDUCTOR (EMI FERRITE)		L3506	1-469-525-91	INDUCTOR 10UH	
FB3502	1-414-234-22	INDUCTOR, FERRITE BEAD		L3507	1-469-525-91	INDUCTOR 10UH	
FB3503	1-414-234-22	INDUCTOR, FERRITE BEAD		L3508	1-469-525-91	INDUCTOR 10UH	
* FB3504	1-400-973-21	INDUCTOR (EMI FERRITE)		L3509	1-469-525-91	INDUCTOR 10UH	
FB3505	1-400-862-11	BEAD, FERRITE		L3510	1-469-525-91	INDUCTOR 10UH	
FB3510	1-400-862-11	BEAD, FERRITE		L3800	1-412-977-31	INDUCTOR 0.68UH	
FB3514	1-400-862-11	BEAD, FERRITE		L3801	1-412-977-31	INDUCTOR 0.68UH	
FB3516	1-469-139-21	FERRITE, EMI (SMD) (2012)		L3802	1-412-977-31	INDUCTOR 0.68UH	
FB3558	1-469-139-21	FERRITE, EMI (SMD) (2012)		L3803	1-412-977-31	INDUCTOR 0.68UH	
FB3559	1-400-862-11	BEAD, FERRITE				< RESISTOR >	
FB3800	1-414-234-22	INDUCTOR, FERRITE BEAD		R3000	1-218-933-11	METAL CHIP 22 5% 1/16W	
FB3801	1-414-234-22	INDUCTOR, FERRITE BEAD		R3001	1-218-965-11	METAL CHIP 10K 5% 1/16W	
FB7000	1-400-862-11	BEAD, FERRITE		R3002	1-218-933-11	METAL CHIP 22 5% 1/16W	
		< COIL >		R3003	1-218-933-11	METAL CHIP 22 5% 1/16W	
* FL3501	1-457-685-11	COMMON MODE CHOKE COIL		R3004	1-218-965-11	METAL CHIP 10K 5% 1/16W	
* FL3502	1-457-685-11	COMMON MODE CHOKE COIL		R3005	1-218-933-11	METAL CHIP 22 5% 1/16W	
		< IC >		R3006	1-218-965-11	METAL CHIP 10K 5% 1/16W	
IC3000	A-1794-696-A	IC MB91F644PMC-GE1 (for SERVICE)		R3007	1-218-953-11	METAL CHIP 1K 5% 1/16W	
IC3001	6-707-870-01	IC TC74VHC157FT (EKJ)		R3008	1-218-933-11	METAL CHIP 22 5% 1/16W	
IC3002	6-711-185-01	IC TC74VXC257FT (EL)		R3009	1-218-965-11	METAL CHIP 10K 5% 1/16W	
IC3003	6-702-913-01	IC S-80929CNMC-G8ZT2G		R3010	1-218-933-11	METAL CHIP 22 5% 1/16W	
IC3004	6-707-879-01	IC TC74VHC541FT (EKJ)		R3011	1-218-933-11	METAL CHIP 22 5% 1/16W	
IC3005	6-713-362-01	IC MFI341S2164		R3012	1-218-941-81	METAL CHIP 100 5% 1/16W	
IC3006	6-707-870-01	IC TC74VHC157FT (EKJ)		R3013	1-218-933-11	METAL CHIP 22 5% 1/16W	
IC3201	6-714-071-01	IC FLI30502AC		R3014	1-218-965-11	METAL CHIP 10K 5% 1/16W	
IC3202	6-715-196-01	IC ABT1015LQ128		R3015	1-218-965-11	METAL CHIP 10K 5% 1/16W	
IC3203	6-711-239-01	IC NJM2878F3-18 (TE2)		R3016	1-218-941-81	METAL CHIP 100 5% 1/16W	
IC3207	A-1795-797-A	IC W25Q16BVSSIG (for SERVICE)		R3017	1-218-933-11	METAL CHIP 22 5% 1/16W	
IC3208	6-712-526-01	IC CAT24C32WI-GT3 (E)		R3019	1-218-965-11	METAL CHIP 10K 5% 1/16W	
IC3209	6-706-838-01	IC MM1661JHBE		R3021	1-218-965-11	METAL CHIP 10K 5% 1/16W	
IC3210	6-706-838-01	IC MM1661JHBE		R3022	1-218-937-11	METAL CHIP 47 5% 1/16W	
⊞ IC3500	(Not supplied)	IC SII9233ACTU		R3023	1-218-957-11	METAL CHIP 2.2K 5% 1/16W	
⊞ IC3501	(Not supplied)	IC SII9134CTU		R3024	1-218-957-11	METAL CHIP 2.2K 5% 1/16W	
IC3502	6-709-888-01	IC TC7WHU04FK		R3025	1-218-937-11	METAL CHIP 47 5% 1/16W	
IC3515	6-706-838-01	IC MM1661JHBE		R3026	1-218-937-11	METAL CHIP 47 5% 1/16W	
IC3516	6-711-116-01	IC NJM2878F3-05 (TE2)		R3027	1-218-933-11	METAL CHIP 22 5% 1/16W	
IC3517	6-708-913-01	IC TK73400AU3G0L-C		R3028	1-218-933-11	METAL CHIP 22 5% 1/16W	
IC3519	6-714-020-01	IC TK63812AMHGHL-C		R3029	1-218-965-11	METAL CHIP 10K 5% 1/16W	
IC3521	6-711-116-01	IC NJM2878F3-05 (TE2)		R3030	1-218-953-11	METAL CHIP 1K 5% 1/16W	
IC3531	6-709-888-01	IC TC7WHU04FK		R3031	1-218-937-11	METAL CHIP 47 5% 1/16W	
IC3800	6-709-565-01	IC ADV7322KSTZ		R3033	1-218-941-81	METAL CHIP 100 5% 1/16W	
IC3802	6-704-261-01	IC TK11225CMCL-G		R3034	1-218-941-81	METAL CHIP 100 5% 1/16W	
IC3803	6-702-301-01	IC TK11125CSCL-G		R3035	1-218-941-81	METAL CHIP 100 5% 1/16W	
IC7000	6-712-613-01	IC SI-3010KM-TLS		R3036	1-218-941-81	METAL CHIP 100 5% 1/16W	
IC7001	6-713-862-01	IC AK4388AET-E2		R3037	1-218-941-81	METAL CHIP 100 5% 1/16W	
IC7002	6-715-134-01	IC MM3404A33URE		R3038	1-218-937-11	METAL CHIP 47 5% 1/16W	
IC7003	6-715-392-01	IC AK5358BET-E2		R3039	1-218-941-81	METAL CHIP 100 5% 1/16W	
IC7004	6-712-613-01	IC SI-3010KM-TLS		R3040	1-218-937-11	METAL CHIP 47 5% 1/16W	
IC7005	6-711-116-01	IC NJM2878F3-05 (TE2)		R3041	1-218-957-11	METAL CHIP 2.2K 5% 1/16W	
IC7006	8-759-710-97	IC NJM4565M-D		R3042	1-208-695-11	METAL CHIP 3.3K 0.5% 1/16W	
				R3043	1-218-937-11	METAL CHIP 47 5% 1/16W	
				R3044	1-218-937-11	METAL CHIP 47 5% 1/16W	
				R3045	1-218-957-11	METAL CHIP 2.2K 5% 1/16W	
				R3046	1-218-959-11	METAL CHIP 3.3K 5% 1/16W	
				R3047	1-218-937-11	METAL CHIP 47 5% 1/16W	

Note: IC3500 and IC3501 on the D-VIDEO NW board cannot exchange with single. When these parts on the D-VIDEO NW board are damaged, exchange the entire mounted board.

Ref. No.	Part No.	Description			Remark	Ref. No.	Part No.	Description			Remark
R3048	1-218-937-11	METAL CHIP	47	5%	1/16W	R3123	1-218-937-11	METAL CHIP	47	5%	1/16W
R3049	1-218-957-11	METAL CHIP	2.2K	5%	1/16W	R3128	1-218-941-81	METAL CHIP	100	5%	1/16W
R3050	1-218-937-11	METAL CHIP	47	5%	1/16W	R3129	1-218-965-11	METAL CHIP	10K	5%	1/16W
R3051	1-218-957-11	METAL CHIP	2.2K	5%	1/16W	R3130	1-218-941-81	METAL CHIP	100	5%	1/16W
R3052	1-218-941-81	METAL CHIP	100	5%	1/16W	R3131	1-218-937-11	METAL CHIP	47	5%	1/16W
R3053	1-218-957-11	METAL CHIP	2.2K	5%	1/16W	R3132	1-218-937-11	METAL CHIP	47	5%	1/16W
R3054	1-218-937-11	METAL CHIP	47	5%	1/16W	R3133	1-218-937-11	METAL CHIP	47	5%	1/16W
R3055	1-218-957-11	METAL CHIP	2.2K	5%	1/16W	R3134	1-218-933-11	METAL CHIP	22	5%	1/16W
R3056	1-218-937-11	METAL CHIP	47	5%	1/16W	R3135	1-218-937-11	METAL CHIP	47	5%	1/16W
R3057	1-218-941-81	METAL CHIP	100	5%	1/16W	R3136	1-218-937-11	METAL CHIP	47	5%	1/16W
R3058	1-218-957-11	METAL CHIP	2.2K	5%	1/16W	R3137	1-218-965-11	METAL CHIP	10K	5%	1/16W
R3059	1-218-937-11	METAL CHIP	47	5%	1/16W	R3138	1-218-965-11	METAL CHIP	10K	5%	1/16W
R3060	1-218-957-11	METAL CHIP	2.2K	5%	1/16W	R3201	1-208-860-81	METAL CHIP	75	0.5%	1/16W
R3061	1-218-937-11	METAL CHIP	47	5%	1/16W	R3202	1-208-860-81	METAL CHIP	75	0.5%	1/16W
R3062	1-218-941-81	METAL CHIP	100	5%	1/16W	R3203	1-218-965-11	METAL CHIP	10K	5%	1/16W
R3063	1-218-941-81	METAL CHIP	100	5%	1/16W	R3204	1-208-860-81	METAL CHIP	75	0.5%	1/16W
R3064	1-218-941-81	METAL CHIP	100	5%	1/16W	R3205	1-208-671-11	METAL CHIP	330	0.5%	1/16W
R3065	1-218-937-11	METAL CHIP	47	5%	1/16W	R3206	1-208-671-11	METAL CHIP	330	0.5%	1/16W
R3067	1-218-945-11	METAL CHIP	220	5%	1/16W	R3207	1-208-671-11	METAL CHIP	330	0.5%	1/16W
R3068	1-218-941-81	METAL CHIP	100	5%	1/16W	R3208	1-208-671-11	METAL CHIP	330	0.5%	1/16W
R3069	1-218-957-11	METAL CHIP	2.2K	5%	1/16W	R3209	1-216-295-91	SHORT CHIP	0		
R3070	1-218-937-11	METAL CHIP	47	5%	1/16W	R3210	1-218-929-11	METAL CHIP	10	5%	1/16W
R3071	1-218-957-11	METAL CHIP	2.2K	5%	1/16W	R3211	1-218-929-11	METAL CHIP	10	5%	1/16W
R3072	1-218-937-11	METAL CHIP	47	5%	1/16W	R3214	1-208-957-11	METAL CHIP	820K	0.5%	1/16W
R3073	1-218-941-81	METAL CHIP	100	5%	1/16W	R3216	1-208-957-11	METAL CHIP	820K	0.5%	1/16W
R3074	1-218-941-81	METAL CHIP	100	5%	1/16W	R3217	1-208-957-11	METAL CHIP	820K	0.5%	1/16W
R3075	1-218-941-81	METAL CHIP	100	5%	1/16W	R3219	1-218-933-11	METAL CHIP	22	5%	1/16W
R3076	1-218-945-11	METAL CHIP	220	5%	1/16W	R3220	1-218-933-11	METAL CHIP	22	5%	1/16W
R3077	1-218-937-11	METAL CHIP	47	5%	1/16W	R3221	1-218-933-11	METAL CHIP	22	5%	1/16W
R3078	1-218-990-81	SHORT CHIP	0			R3222	1-218-941-81	METAL CHIP	100	5%	1/16W
R3079	1-218-947-11	METAL CHIP	330	5%	1/16W	R3223	1-218-935-11	METAL CHIP	33	5%	1/16W
R3080	1-218-947-11	METAL CHIP	330	5%	1/16W	R3224	1-218-935-11	METAL CHIP	33	5%	1/16W
R3082	1-218-965-11	METAL CHIP	10K	5%	1/16W	R3225	1-218-965-11	METAL CHIP	10K	5%	1/16W
R3083	1-218-965-11	METAL CHIP	10K	5%	1/16W	R3228	1-218-965-11	METAL CHIP	10K	5%	1/16W
R3084	1-218-965-11	METAL CHIP	10K	5%	1/16W	R3231	1-218-961-11	METAL CHIP	4.7K	5%	1/16W
R3085	1-218-965-11	METAL CHIP	10K	5%	1/16W	R3232	1-208-957-11	METAL CHIP	820K	0.5%	1/16W
R3086	1-218-929-11	METAL CHIP	10	5%	1/16W	R3233	1-218-961-11	METAL CHIP	4.7K	5%	1/16W
R3087	1-218-929-11	METAL CHIP	10	5%	1/16W	R3234	1-218-961-11	METAL CHIP	4.7K	5%	1/16W
R3088	1-218-965-11	METAL CHIP	10K	5%	1/16W	R3238	1-218-965-11	METAL CHIP	10K	5%	1/16W
R3089	1-218-965-11	METAL CHIP	10K	5%	1/16W	R3245	1-218-965-11	METAL CHIP	10K	5%	1/16W
R3090	1-218-941-81	METAL CHIP	100	5%	1/16W	R3247	1-218-961-11	METAL CHIP	4.7K	5%	1/16W
R3091	1-218-965-11	METAL CHIP	10K	5%	1/16W	R3248	1-218-990-81	SHORT CHIP	0		
R3093	1-218-937-11	METAL CHIP	47	5%	1/16W	R3249	1-218-933-11	METAL CHIP	22	5%	1/16W
R3094	1-218-937-11	METAL CHIP	47	5%	1/16W	R3250	1-218-990-81	SHORT CHIP	0		
R3095	1-218-937-11	METAL CHIP	47	5%	1/16W	R3251	1-218-933-11	METAL CHIP	22	5%	1/16W
R3096	1-218-937-11	METAL CHIP	47	5%	1/16W	R3252	1-218-965-11	METAL CHIP	10K	5%	1/16W
R3097	1-218-937-11	METAL CHIP	47	5%	1/16W	R3253	1-218-965-11	METAL CHIP	10K	5%	1/16W
R3098	1-218-937-11	METAL CHIP	47	5%	1/16W	R3258	1-218-938-11	METAL CHIP	56	5%	1/16W
R3099	1-218-937-11	METAL CHIP	47	5%	1/16W	R3259	1-208-671-11	METAL CHIP	330	0.5%	1/16W
R3100	1-218-937-11	METAL CHIP	47	5%	1/16W	R3260	1-208-671-11	METAL CHIP	330	0.5%	1/16W
R3101	1-218-937-11	METAL CHIP	47	5%	1/16W	R3261	1-208-671-11	METAL CHIP	330	0.5%	1/16W
R3105	1-218-965-11	METAL CHIP	10K	5%	1/16W	R3262	1-218-938-11	METAL CHIP	56	5%	1/16W
R3106	1-218-965-11	METAL CHIP	10K	5%	1/16W	R3264	1-218-963-11	METAL CHIP	6.8K	5%	1/16W
R3109	1-218-965-11	METAL CHIP	10K	5%	1/16W	R3270	1-208-715-11	METAL CHIP	22K	0.5%	1/16W
R3110	1-218-965-11	METAL CHIP	10K	5%	1/16W	R3271	1-208-715-11	METAL CHIP	22K	0.5%	1/16W
R3111	1-218-965-11	METAL CHIP	10K	5%	1/16W	R3272	1-218-953-11	METAL CHIP	1K	5%	1/16W
R3112	1-218-933-11	METAL CHIP	22	5%	1/16W	R3274	1-218-965-11	METAL CHIP	10K	5%	1/16W
R3113	1-218-933-11	METAL CHIP	22	5%	1/16W	R3275	1-218-957-11	METAL CHIP	2.2K	5%	1/16W
R3114	1-218-949-11	METAL CHIP	470	5%	1/16W	R3276	1-218-957-11	METAL CHIP	2.2K	5%	1/16W
R3115	1-218-953-11	METAL CHIP	1K	5%	1/16W	R3277	1-218-965-11	METAL CHIP	10K	5%	1/16W

STR-DN1020

D-VIDEO NW

Ref. No.	Part No.	Description			Remark	Ref. No.	Part No.	Description			Remark
R3278	1-208-957-11	METAL CHIP	820K	0.5%	1/16W	R3567	1-218-929-11	METAL CHIP	10	5%	1/16W
R3281	1-218-941-81	METAL CHIP	100	5%	1/16W	R3576	1-218-929-11	METAL CHIP	10	5%	1/16W
R3282	1-218-965-11	METAL CHIP	10K	5%	1/16W	R3577	1-218-929-11	METAL CHIP	10	5%	1/16W
R3284	1-218-965-11	METAL CHIP	10K	5%	1/16W	R3578	1-218-961-11	METAL CHIP	4.7K	5%	1/16W
R3288	1-218-949-11	METAL CHIP	470	5%	1/16W	R3579	1-218-973-11	METAL CHIP	47K	5%	1/16W
R3289	1-218-949-11	METAL CHIP	470	5%	1/16W	R3580	1-208-883-81	METAL CHIP	680	0.5%	1/16W
R3290	1-218-949-11	METAL CHIP	470	5%	1/16W	R3581	1-218-941-81	METAL CHIP	100	5%	1/16W
R3291	1-218-949-11	METAL CHIP	470	5%	1/16W	R3582	1-220-876-81	METAL CHIP	18	0.5%	1/16W
R3292	1-218-941-81	METAL CHIP	100	5%	1/16W	R3583	1-218-929-11	METAL CHIP	10	5%	1/16W
R3293	1-218-965-11	METAL CHIP	10K	5%	1/16W	R3584	1-218-929-11	METAL CHIP	10	5%	1/16W
R3294	1-218-990-81	SHORT CHIP	0			R3585	1-218-973-11	METAL CHIP	47K	5%	1/16W
R3295	1-218-990-81	SHORT CHIP	0			R3593	1-218-965-11	METAL CHIP	10K	5%	1/16W
R3297	1-218-990-81	SHORT CHIP	0			R3594	1-218-973-11	METAL CHIP	47K	5%	1/16W
R3504	1-218-933-11	METAL CHIP	22	5%	1/16W	R3597	1-218-990-81	SHORT CHIP	0		
R3505	1-218-933-11	METAL CHIP	22	5%	1/16W	R3599	1-218-956-11	METAL CHIP	1.8K	5%	1/16W
R3506	1-218-973-11	METAL CHIP	47K	5%	1/16W	R3600	1-218-956-11	METAL CHIP	1.8K	5%	1/16W
R3507	1-218-933-11	METAL CHIP	22	5%	1/16W	R3601	1-218-953-11	METAL CHIP	1K	5%	1/16W
R3508	1-218-935-11	METAL CHIP	33	5%	1/16W	R3602	1-218-937-11	METAL CHIP	47	5%	1/16W
R3509	1-218-935-11	METAL CHIP	33	5%	1/16W	R3604	1-218-929-11	METAL CHIP	10	5%	1/16W
R3510	1-218-935-11	METAL CHIP	33	5%	1/16W	R3634	1-208-859-81	METAL CHIP	68	0.5%	1/16W
R3511	1-218-935-11	METAL CHIP	33	5%	1/16W	R3673	1-208-859-81	METAL CHIP	68	0.5%	1/16W
R3512	1-208-695-11	METAL CHIP	3.3K	0.5%	1/16W	R3676	1-218-990-81	SHORT CHIP	0		
R3513	1-208-695-11	METAL CHIP	3.3K	0.5%	1/16W	R3678	1-218-949-11	METAL CHIP	470	5%	1/16W
R3514	1-218-973-11	METAL CHIP	47K	5%	1/16W	R3680	1-218-965-11	METAL CHIP	10K	5%	1/16W
R3515	1-208-695-11	METAL CHIP	3.3K	0.5%	1/16W	R3681	1-218-937-11	METAL CHIP	47	5%	1/16W
R3516	1-208-695-11	METAL CHIP	3.3K	0.5%	1/16W	R3684	1-218-981-91	METAL CHIP	220K	5%	1/16W
R3517	1-218-973-11	METAL CHIP	47K	5%	1/16W	R3741	1-218-953-11	METAL CHIP	1K	5%	1/16W
R3518	1-218-990-81	SHORT CHIP	0			R3803	1-218-929-11	METAL CHIP	10	5%	1/16W
R3519	1-218-929-11	METAL CHIP	10	5%	1/16W	R3804	1-218-990-81	SHORT CHIP	0		
R3520	1-218-929-11	METAL CHIP	10	5%	1/16W	R3805	1-218-929-11	METAL CHIP	10	5%	1/16W
R3521	1-218-941-81	METAL CHIP	100	5%	1/16W	R3806	1-218-929-11	METAL CHIP	10	5%	1/16W
R3522	1-218-941-81	METAL CHIP	100	5%	1/16W	R3807	1-218-929-11	METAL CHIP	10	5%	1/16W
R3523	1-218-935-11	METAL CHIP	33	5%	1/16W	R3808	1-218-929-11	METAL CHIP	10	5%	1/16W
R3524	1-218-935-11	METAL CHIP	33	5%	1/16W	R3809	1-218-929-11	METAL CHIP	10	5%	1/16W
R3525	1-218-935-11	METAL CHIP	33	5%	1/16W	R3810	1-218-929-11	METAL CHIP	10	5%	1/16W
R3526	1-218-935-11	METAL CHIP	33	5%	1/16W	R3811	1-218-929-11	METAL CHIP	10	5%	1/16W
R3528	1-218-990-81	SHORT CHIP	0			R3812	1-218-929-11	METAL CHIP	10	5%	1/16W
R3529	1-218-933-11	METAL CHIP	22	5%	1/16W	R3813	1-218-958-11	METAL CHIP	2.7K	5%	1/16W
R3530	1-218-933-11	METAL CHIP	22	5%	1/16W	R3814	1-218-958-11	METAL CHIP	2.7K	5%	1/16W
R3531	1-218-933-11	METAL CHIP	22	5%	1/16W	R3815	1-218-951-11	METAL CHIP	680	5%	1/16W
R3532	1-218-974-11	METAL CHIP	56K	5%	1/16W	R3816	1-218-941-81	METAL CHIP	100	5%	1/16W
R3533	1-208-923-11	METAL CHIP	33K	0.5%	1/16W	R3817	1-208-671-11	METAL CHIP	330	0.5%	1/16W
R3534	1-218-937-11	METAL CHIP	47	5%	1/16W	R3818	1-208-671-11	METAL CHIP	330	0.5%	1/16W
R3535	1-218-961-11	METAL CHIP	4.7K	5%	1/16W	R3819	1-218-990-81	SHORT CHIP	0		
R3536	1-218-933-11	METAL CHIP	22	5%	1/16W	R3820	1-208-683-11	METAL CHIP	1K	0.5%	1/16W
R3537	1-218-961-11	METAL CHIP	4.7K	5%	1/16W	R3821	1-208-874-81	METAL CHIP	300	0.5%	1/16W
R3538	1-208-715-11	METAL CHIP	22K	0.5%	1/16W	R3822	1-208-683-11	METAL CHIP	1K	0.5%	1/16W
R3539	1-208-923-11	METAL CHIP	33K	0.5%	1/16W	R3823	1-208-874-81	METAL CHIP	300	0.5%	1/16W
R3540	1-218-933-11	METAL CHIP	22	5%	1/16W	R3824	1-208-874-81	METAL CHIP	300	0.5%	1/16W
R3544	1-218-929-11	METAL CHIP	10	5%	1/16W	R3825	1-208-874-81	METAL CHIP	300	0.5%	1/16W
R3545	1-218-941-81	METAL CHIP	100	5%	1/16W	R3826	1-208-874-81	METAL CHIP	300	0.5%	1/16W
R3546	1-218-989-11	METAL CHIP	1M	5%	1/16W	R3827	1-208-874-81	METAL CHIP	300	0.5%	1/16W
R3548	1-218-937-11	METAL CHIP	47	5%	1/16W	R3829	1-218-935-11	METAL CHIP	33	5%	1/16W
R3554	1-218-937-11	METAL CHIP	47	5%	1/16W	R3830	1-218-935-11	METAL CHIP	33	5%	1/16W
R3556	1-218-945-11	METAL CHIP	220	5%	1/16W	R3831	1-218-935-11	METAL CHIP	33	5%	1/16W
R3557	1-218-945-11	METAL CHIP	220	5%	1/16W	R3832	1-218-937-11	METAL CHIP	47	5%	1/16W
R3563	1-218-941-81	METAL CHIP	100	5%	1/16W	R3833	1-218-990-81	SHORT CHIP	0		
R3564	1-218-990-81	SHORT CHIP	0			R3834	1-218-990-81	SHORT CHIP	0		
R3565	1-218-929-11	METAL CHIP	10	5%	1/16W	R7000	1-216-295-91	SHORT CHIP	0		
R3566	1-218-929-11	METAL CHIP	10	5%	1/16W	R7001	1-216-295-91	SHORT CHIP	0		

Ref. No.	Part No.	Description			Remark	Ref. No.	Part No.	Description			Remark
R7002	1-216-295-91	SHORT CHIP	0			R7069	1-208-905-11	METAL CHIP	5.6K	0.5%	1/16W
R7003	1-216-295-91	SHORT CHIP	0			R7072	1-218-965-11	METAL CHIP	10K	5%	1/16W
R7004	1-218-941-81	METAL CHIP	100	5%	1/16W	R7073	1-208-911-11	METAL CHIP	10K	0.5%	1/16W
R7005	1-216-295-91	SHORT CHIP	0			R7074	1-208-911-11	METAL CHIP	10K	0.5%	1/16W
R7006	1-216-295-91	SHORT CHIP	0			R7075	1-218-961-11	METAL CHIP	4.7K	5%	1/16W
R7007	1-218-990-81	SHORT CHIP	0			R7076	1-218-961-11	METAL CHIP	4.7K	5%	1/16W
R7008	1-218-990-81	SHORT CHIP	0			R7079	1-218-952-11	METAL CHIP	820	5%	1/16W
R7009	1-218-965-11	METAL CHIP	10K	5%	1/16W	R7080	1-218-952-11	METAL CHIP	820	5%	1/16W
R7010	1-218-965-11	METAL CHIP	10K	5%	1/16W	R7081	1-218-967-11	METAL CHIP	15K	5%	1/16W
R7011	1-218-965-11	METAL CHIP	10K	5%	1/16W	R7082	1-218-967-11	METAL CHIP	15K	5%	1/16W
R7012	1-218-965-11	METAL CHIP	10K	5%	1/16W	R7090	1-218-990-81	SHORT CHIP	0		
R7013	1-218-965-11	METAL CHIP	10K	5%	1/16W	R7091	1-218-990-81	SHORT CHIP	0		
R7014	1-218-965-11	METAL CHIP	10K	5%	1/16W						< COMPOSITION CIRCUIT BLOCK >
R7018	1-218-937-11	METAL CHIP	47	5%	1/16W						
R7020	1-218-937-11	METAL CHIP	47	5%	1/16W	RB3000	1-234-373-21	RES, NETWORK 220 (1005X4)			
R7021	1-218-937-11	METAL CHIP	47	5%	1/16W	RB3201	1-234-371-21	RES, NETWORK 47 (1005X4)			
R7022	1-218-937-11	METAL CHIP	47	5%	1/16W	RB3202	1-234-371-21	RES, NETWORK 47 (1005X4)			
R7024	1-218-990-81	SHORT CHIP	0			RB3203	1-234-371-21	RES, NETWORK 47 (1005X4)			
R7025	1-218-937-11	METAL CHIP	47	5%	1/16W	RB3204	1-234-371-21	RES, NETWORK 47 (1005X4)			
R7026	1-218-937-11	METAL CHIP	47	5%	1/16W	RB3205	1-234-400-21	CONDUCTOR, NETWORK (1005X4)			
R7027	1-218-937-11	METAL CHIP	47	5%	1/16W	RB3206	1-234-400-21	CONDUCTOR, NETWORK (1005X4)			
R7028	1-218-937-11	METAL CHIP	47	5%	1/16W	RB3207	1-234-400-21	CONDUCTOR, NETWORK (1005X4)			
R7029	1-218-965-11	METAL CHIP	10K	5%	1/16W	RB3208	1-234-400-21	CONDUCTOR, NETWORK (1005X4)			
R7030	1-218-965-11	METAL CHIP	10K	5%	1/16W	RB3209	1-234-371-21	RES, NETWORK 47 (1005X4)			
R7031	1-218-965-11	METAL CHIP	10K	5%	1/16W	RB3210	1-234-371-21	RES, NETWORK 47 (1005X4)			
R7032	1-218-965-11	METAL CHIP	10K	5%	1/16W	RB3212	1-234-377-21	RES, NETWORK 4.7K (1005X4)			
R7033	1-218-965-11	METAL CHIP	10K	5%	1/16W	RB3213	1-234-377-21	RES, NETWORK 4.7K (1005X4)			
R7034	1-216-295-91	SHORT CHIP	0			RB3214	1-234-377-21	RES, NETWORK 4.7K (1005X4)			
R7035	1-216-295-91	SHORT CHIP	0			RB3215	1-234-377-21	RES, NETWORK 4.7K (1005X4)			
R7036	1-218-937-11	METAL CHIP	47	5%	1/16W	RB3501	1-242-963-21	RES, NETWORK 33 (1005X4)			
R7037	1-218-937-11	METAL CHIP	47	5%	1/16W	RB3502	1-234-371-21	RES, NETWORK 47 (1005X4)			
R7038	1-218-933-11	METAL CHIP	22	5%	1/16W	RB3503	1-234-371-21	RES, NETWORK 47 (1005X4)			
R7039	1-208-860-81	METAL CHIP	75	0.5%	1/16W	RB3504	1-234-371-21	RES, NETWORK 47 (1005X4)			
R7040	1-208-860-81	METAL CHIP	75	0.5%	1/16W	RB3505	1-234-369-21	RES, NETWORK 10 (1005X4)			
R7042	1-216-295-91	SHORT CHIP	0			RB3506	1-242-963-21	RES, NETWORK 33 (1005X4)			
R7043	1-216-295-91	SHORT CHIP	0			RB3507	1-242-963-21	RES, NETWORK 33 (1005X4)			
R7044	1-218-933-11	METAL CHIP	22	5%	1/16W	RB3508	1-242-963-21	RES, NETWORK 33 (1005X4)			
R7045	1-218-937-11	METAL CHIP	47	5%	1/16W	RB3509	1-242-963-21	RES, NETWORK 33 (1005X4)			
R7046	1-218-937-11	METAL CHIP	47	5%	1/16W	RB3510	1-234-370-21	RES, NETWORK 22 (1005X4)			
R7047	1-208-683-11	METAL CHIP	1K	0.5%	1/16W	RB3511	1-234-370-21	RES, NETWORK 22 (1005X4)			
R7048	1-208-683-11	METAL CHIP	1K	0.5%	1/16W	RB3512	1-234-370-21	RES, NETWORK 22 (1005X4)			
R7049	1-208-911-11	METAL CHIP	10K	0.5%	1/16W	RB3513	1-234-370-21	RES, NETWORK 22 (1005X4)			
R7050	1-218-965-11	METAL CHIP	10K	5%	1/16W	RB3514	1-242-963-21	RES, NETWORK 33 (1005X4)			
R7051	1-218-937-11	METAL CHIP	47	5%	1/16W	RB3515	1-242-963-21	RES, NETWORK 33 (1005X4)			
R7052	1-218-965-11	METAL CHIP	10K	5%	1/16W	RB3516	1-234-370-21	RES, NETWORK 22 (1005X4)			
R7053	1-218-941-81	METAL CHIP	100	5%	1/16W	RB3517	1-242-963-21	RES, NETWORK 33 (1005X4)			
R7054	1-218-941-81	METAL CHIP	100	5%	1/16W	RB3800	1-242-963-21	RES, NETWORK 33 (1005X4)			
R7055	1-218-953-11	METAL CHIP	1K	5%	1/16W	RB3801	1-242-963-21	RES, NETWORK 33 (1005X4)			
R7056	1-218-977-11	METAL CHIP	100K	5%	1/16W	RB3802	1-242-963-21	RES, NETWORK 33 (1005X4)			
R7057	1-218-990-81	SHORT CHIP	0			RB3803	1-242-963-21	RES, NETWORK 33 (1005X4)			
R7058	1-218-990-81	SHORT CHIP	0			RB3804	1-242-963-21	RES, NETWORK 33 (1005X4)			
R7059	1-218-990-81	SHORT CHIP	0			RB3805	1-242-963-21	RES, NETWORK 33 (1005X4)			
R7060	1-218-990-81	SHORT CHIP	0								< VIBRATOR >
R7061	1-208-715-11	METAL CHIP	22K	0.5%	1/16W	X3000	1-781-646-21	VIBRATOR, CERAMIC (4MHZ)			
R7062	1-208-683-11	METAL CHIP	1K	0.5%	1/16W	X3201	1-814-385-11	QUARTS CRYSTAL UNIT (19.6608MHZ)			
R7063	1-208-911-11	METAL CHIP	10K	0.5%	1/16W	X3501	1-814-308-11	VIBRATOR, CRYSTAL (27MHZ)			
R7064	1-218-965-11	METAL CHIP	10K	5%	1/16W						*****
R7066	1-218-969-11	METAL CHIP	22K	5%	1/16W						
R7067	1-218-969-11	METAL CHIP	22K	5%	1/16W						
R7068	1-208-905-11	METAL CHIP	5.6K	0.5%	1/16W						

STR-DN1020

HEADPHONE MAIN

Ref. No.	Part No.	Description	Remark
		HEADPHONE BOARD *****	
		< CAPACITOR >	
C790	1-162-964-11	CERAMIC CHIP 0.001uF 10%	50V
C791	1-162-964-11	CERAMIC CHIP 0.001uF 10%	50V
C792	1-162-964-11	CERAMIC CHIP 0.001uF 10%	50V
		< JACK >	
J790	1-822-967-12	JACK (PHONES)	

	A-1796-740-A	MAIN BOARD, COMPLETE (US, CND)	
	A-1796-792-A	MAIN BOARD, COMPLETE (AEP, UK, AUS)	

	7-685-646-71	SCREW +BVTP 3X8 TYPE2 IT-3	
		< CAPACITOR >	
C301	1-126-964-11	ELECT 10uF 20%	50V
C320	1-112-079-11	ELECT 220uF 20%	10V
C323	1-112-079-11	ELECT 220uF 20%	10V
C325	1-126-964-11	ELECT 10uF 20%	50V
C350	1-137-980-91	CERAMIC CHIP 0.47uF 10%	50V
C351	1-112-084-11	ELECT 470uF 20%	16V
C352	1-137-980-91	CERAMIC CHIP 0.47uF 10%	50V
C353	1-112-084-11	ELECT 470uF 20%	16V
C401	1-162-966-11	CERAMIC CHIP 0.0022uF 10%	50V
C403	1-162-966-11	CERAMIC CHIP 0.0022uF 10%	50V
C404	1-162-966-11	CERAMIC CHIP 0.0022uF 10%	50V
C408	1-126-963-11	ELECT 4.7uF 20%	50V
C409	1-126-963-11	ELECT 4.7uF 20%	50V
C411	1-126-963-11	ELECT 4.7uF 20%	50V
C412	1-126-963-11	ELECT 4.7uF 20%	50V
C449	1-162-927-11	CERAMIC CHIP 100PF 5%	50V
C450	1-162-927-11	CERAMIC CHIP 100PF 5%	50V
C458	1-126-963-11	ELECT 4.7uF 20%	50V
C459	1-126-963-11	ELECT 4.7uF 20%	50V
C488	1-100-566-91	CERAMIC CHIP 0.1uF 10%	25V
C489	1-162-966-11	CERAMIC CHIP 0.0022uF 10%	50V
C499	1-162-966-11	CERAMIC CHIP 0.0022uF 10%	50V
C545	1-112-089-11	ELECT 47uF 20%	25V
C546	1-126-964-11	ELECT 10uF 20%	50V
C547	1-126-964-11	ELECT 10uF 20%	50V
C548	1-100-566-91	CERAMIC CHIP 0.1uF 10%	25V
C550	1-136-157-00	FILM 0.022uF 5%	50V
C551	1-162-960-11	CERAMIC CHIP 220PF 10%	50V
C552	1-114-989-81	CERAMIC 47PF 5%	1KV
C553	1-162-927-11	CERAMIC CHIP 100PF 5%	50V
C554	1-162-970-11	CERAMIC CHIP 0.01uF 10%	25V
C555	1-112-100-11	ELECT 10uF 20%	50V
C557	1-112-079-11	ELECT 220uF 20%	10V
C558	1-112-089-11	ELECT 47uF 20%	25V
C559	1-116-177-31	CERAMIC 3PF	1KV
C560	1-114-956-81	CERAMIC 10PF 5%	1KV (US, CND)
C560	1-109-879-11	CERAMIC 22PF 5%	2KV (AEP, UK, AUS)
C561	1-114-989-81	CERAMIC 47PF 5%	1KV
C602	1-162-927-11	CERAMIC CHIP 100PF 5%	50V
C603	1-114-956-81	CERAMIC 10PF 5%	1KV (US, CND)

Ref. No.	Part No.	Description	Remark
C603	1-109-879-11	CERAMIC 22PF 5%	2KV (AEP, UK, AUS)
C605	1-116-177-31	CERAMIC 3PF	1KV
C607	1-112-089-11	ELECT 47uF 20%	25V
C608	1-114-989-81	CERAMIC 47PF 5%	1KV
C609	1-114-989-81	CERAMIC 47PF 5%	1KV
C610	1-112-100-11	ELECT 10uF 20%	50V
C611	1-162-960-11	CERAMIC CHIP 220PF 10%	50V
C612	1-112-079-11	ELECT 220uF 20%	10V
C620	1-162-970-11	CERAMIC CHIP 0.01uF 10%	25V
C629	1-136-157-00	FILM 0.022uF 5%	50V
C652	1-162-927-11	CERAMIC CHIP 100PF 5%	50V
C653	1-114-956-81	CERAMIC 10PF 5%	1KV (US, CND)
C653	1-109-879-11	CERAMIC 22PF 5%	2KV (AEP, UK, AUS)
C655	1-116-177-31	CERAMIC 3PF	1KV
C657	1-112-089-11	ELECT 47uF 20%	25V
C658	1-114-989-81	CERAMIC 47PF 5%	1KV
C659	1-114-989-81	CERAMIC 47PF 5%	1KV
C660	1-112-100-11	ELECT 10uF 20%	50V
C661	1-162-960-11	CERAMIC CHIP 220PF 10%	50V
C662	1-112-079-11	ELECT 220uF 20%	10V
C670	1-162-970-11	CERAMIC CHIP 0.01uF 10%	25V
C679	1-136-157-00	FILM 0.022uF 5%	50V
C702	1-162-927-11	CERAMIC CHIP 100PF 5%	50V
C703	1-114-956-81	CERAMIC 10PF 5%	1KV (US, CND)
C703	1-109-879-11	CERAMIC 22PF 5%	2KV (AEP, UK, AUS)
C705	1-116-177-31	CERAMIC 3PF	1KV
C707	1-112-089-11	ELECT 47uF 20%	25V
C708	1-114-989-81	CERAMIC 47PF 5%	1KV
C709	1-114-989-81	CERAMIC 47PF 5%	1KV
C710	1-112-100-11	ELECT 10uF 20%	50V
C711	1-162-960-11	CERAMIC CHIP 220PF 10%	50V
C712	1-112-079-11	ELECT 220uF 20%	10V
C720	1-162-970-11	CERAMIC CHIP 0.01uF 10%	25V
C729	1-136-157-00	FILM 0.022uF 5%	50V
C752	1-162-927-11	CERAMIC CHIP 100PF 5%	50V
C753	1-114-956-81	CERAMIC 10PF 5%	1KV (US, CND)
C753	1-109-879-11	CERAMIC 22PF 5%	2KV (AEP, UK, AUS)
C755	1-116-177-31	CERAMIC 3PF	1KV
C757	1-112-089-11	ELECT 47uF 20%	25V
C758	1-114-989-81	CERAMIC 47PF 5%	1KV
C759	1-114-989-81	CERAMIC 47PF 5%	1KV
C760	1-112-100-11	ELECT 10uF 20%	50V
C761	1-162-960-11	CERAMIC CHIP 220PF 10%	50V
C762	1-112-079-11	ELECT 220uF 20%	10V
C770	1-162-970-11	CERAMIC CHIP 0.01uF 10%	25V
C779	1-136-157-00	FILM 0.022uF 5%	50V
C802	1-162-927-11	CERAMIC CHIP 100PF 5%	50V
C803	1-114-956-81	CERAMIC 10PF 5%	1KV (US, CND)
C803	1-109-879-11	CERAMIC 22PF 5%	2KV (AEP, UK, AUS)
C805	1-116-177-31	CERAMIC 3PF	1KV
C807	1-112-089-11	ELECT 47uF 20%	25V
C808	1-114-989-81	CERAMIC 47PF 5%	1KV
C809	1-114-989-81	CERAMIC 47PF 5%	1KV

Ref. No.	Part No.	Description	Remark	Ref. No.	Part No.	Description	Remark
C810	1-112-100-11	ELECT	10uF 20% 50V	CC54	1-162-927-11	CERAMIC CHIP 100PF 5% 50V	(AEP, UK, AUS)
C811	1-162-960-11	CERAMIC CHIP	220PF 10% 50V	CC55	1-162-927-11	CERAMIC CHIP 100PF 5% 50V	(AEP, UK, AUS)
C812	1-112-079-11	ELECT	220uF 20% 10V	CC56	1-162-927-11	CERAMIC CHIP 100PF 5% 50V	(AEP, UK, AUS)
C820	1-162-970-11	CERAMIC CHIP	0.01uF 10% 25V	CC57	1-162-927-11	CERAMIC CHIP 100PF 5% 50V	(AEP, UK, AUS)
C829	1-136-157-00	FILM	0.022uF 5% 50V	CC58	1-162-927-11	CERAMIC CHIP 100PF 5% 50V	(AEP, UK, AUS)
C852	1-162-927-11	CERAMIC CHIP	100PF 5% 50V	CC59	1-162-927-11	CERAMIC CHIP 100PF 5% 50V	(AEP, UK, AUS)
C853	1-114-956-81	CERAMIC	10PF 5% 1KV (US, CND)	CC60	1-162-964-11	CERAMIC CHIP 0.001uF 10% 50V	
C853	1-109-879-11	CERAMIC	22PF 5% 2KV (AEP, UK, AUS)	CC61	1-162-964-11	CERAMIC CHIP 0.001uF 10% 50V	
C855	1-116-177-31	CERAMIC	3PF 1KV	CC62	1-162-964-11	CERAMIC CHIP 0.001uF 10% 50V	
C857	1-112-089-11	ELECT	47uF 20% 25V	CC63	1-162-964-11	CERAMIC CHIP 0.001uF 10% 50V	
C858	1-114-989-81	CERAMIC	47PF 5% 1KV	< CONNECTOR >			
C859	1-114-989-81	CERAMIC	47PF 5% 1KV	CN391	1-691-766-11	PLUG (MICRO CONNECTOR) 4P	
C860	1-112-100-11	ELECT	10uF 20% 50V	CNP410	1-842-808-11	CONNECTOR, BOARD TO BOARD 19P	
C861	1-162-960-11	CERAMIC CHIP	220PF 10% 50V	CNP411	1-842-808-11	CONNECTOR, BOARD TO BOARD 19P	
C862	1-112-079-11	ELECT	220uF 20% 10V	CNP920	1-564-242-00	PIN, CONNECTOR (3.96mm PITCH) 5P	
C870	1-162-970-11	CERAMIC CHIP	0.01uF 10% 25V	CNP930	1-691-766-11	PLUG (MICRO CONNECTOR) 4P	
C879	1-136-157-00	FILM	0.022uF 5% 50V	< DIODE >			
C910	1-104-329-11	CERAMIC CHIP	0.1uF 10% 50V	D301	6-502-961-01	DI DA2J10100L	
C911	1-104-329-11	CERAMIC CHIP	0.1uF 10% 50V	D302	6-502-961-01	DI DA2J10100L	
C912	1-112-093-11	ELECT	2200uF 20% 25V	D326	6-500-335-01	DIODE MC2838-T112-1	
C913	1-112-092-11	ELECT	1000uF 20% 25V	D327	6-500-335-01	DIODE MC2838-T112-1	
C914	1-137-958-91	MYLAR	0.22uF 5% 100V	D350	6-502-961-01	DI DA2J10100L	
C915	1-137-958-91	MYLAR	0.22uF 5% 100V	D352	8-719-053-18	DIODE 1SR154-400TE-25	
C930	1-109-932-15	ELECT (BLOCK)	10000uF 20% 71V	D355	6-502-961-01	DI DA2J10100L	
C931	1-109-932-15	ELECT (BLOCK)	10000uF 20% 71V	D360	6-502-961-01	DI DA2J10100L	
C932	1-112-111-11	ELECT	100uF 20% 100V (AEP, UK, AUS)	D365	6-502-961-01	DI DA2J10100L	
C933	1-112-111-11	ELECT	100uF 20% 100V (AEP, UK, AUS)	D375	6-502-961-01	DI DA2J10100L	
CC01	1-162-927-11	CERAMIC CHIP	100PF 5% 50V (AEP, UK, AUS)	D376	6-502-961-01	DI DA2J10100L	
CC02	1-162-927-11	CERAMIC CHIP	100PF 5% 50V (AEP, UK, AUS)	D377	6-502-961-01	DI DA2J10100L	
CC03	1-162-927-11	CERAMIC CHIP	100PF 5% 50V (AEP, UK, AUS)	D536	6-501-734-01	DIODE MAZ8056GMLSO	
CC04	1-162-927-11	CERAMIC CHIP	100PF 5% 50V (AEP, UK, AUS)	D550	6-502-961-01	DI DA2J10100L	
CC05	1-162-927-11	CERAMIC CHIP	100PF 5% 50V (AEP, UK, AUS)	D551	6-502-961-01	DI DA2J10100L	
CC06	1-162-927-11	CERAMIC CHIP	100PF 5% 50V (AEP, UK, AUS)	D611	6-502-961-01	DI DA2J10100L	
CC07	1-162-927-11	CERAMIC CHIP	100PF 5% 50V (AEP, UK, AUS)	D620	6-502-961-01	DI DA2J10100L	
CC08	1-162-927-11	CERAMIC CHIP	100PF 5% 50V (AEP, UK, AUS)	D661	6-502-961-01	DI DA2J10100L	
CC09	1-162-927-11	CERAMIC CHIP	100PF 5% 50V (AEP, UK, AUS)	D670	6-502-961-01	DI DA2J10100L	
CC11	1-162-970-11	CERAMIC CHIP	0.01uF 10% 25V	D711	6-502-961-01	DI DA2J10100L	
CC12	1-162-970-11	CERAMIC CHIP	0.01uF 10% 25V	D720	6-502-961-01	DI DA2J10100L	
CC13	1-162-970-11	CERAMIC CHIP	0.01uF 10% 25V	D761	6-502-961-01	DI DA2J10100L	
CC14	1-162-970-11	CERAMIC CHIP	0.01uF 10% 25V	D770	6-502-961-01	DI DA2J10100L	
CC15	1-162-970-11	CERAMIC CHIP	0.01uF 10% 25V	D811	6-502-961-01	DI DA2J10100L	
CC17	1-162-970-11	CERAMIC CHIP	0.01uF 10% 25V	D820	6-502-961-01	DI DA2J10100L	
CC18	1-162-970-11	CERAMIC CHIP	0.01uF 10% 25V	D861	6-502-961-01	DI DA2J10100L	
CC51	1-162-927-11	CERAMIC CHIP	100PF 5% 50V (AEP, UK, AUS)	D870	6-502-961-01	DI DA2J10100L	
CC52	1-162-927-11	CERAMIC CHIP	100PF 5% 50V (AEP, UK, AUS)	D910	8-719-053-18	DIODE 1SR154-400TE-25	
CC53	1-162-927-11	CERAMIC CHIP	100PF 5% 50V (AEP, UK, AUS)	D911	8-719-053-18	DIODE 1SR154-400TE-25	
				D912	8-719-053-18	DIODE 1SR154-400TE-25	
				D913	8-719-053-18	DIODE 1SR154-400TE-25	
				D920	6-502-961-01	DI DA2J10100L	
				D921	8-719-061-07	DIODE D5SBA60-F	
				D922	6-502-961-01	DI DA2J10100L	

STR-DN1020

MAIN

Ref. No.	Part No.	Description	Remark	Ref. No.	Part No.	Description	Remark
		< EARTH TERMINAL >				< COIL >	
ET300	1-537-738-21	TERMINAL, GROUND		L550	1-420-872-52	COIL, AIR-CORE	
		< FUSE >		L628	1-420-872-52	COIL, AIR-CORE	
△ F910	1-523-085-11	FUSE	2.5A 250V	L678	1-420-872-52	COIL, AIR-CORE	
△ F911	1-523-085-11	FUSE	2.5A 250V	L728	1-420-872-52	COIL, AIR-CORE	
△ F912	1-523-080-11	FUSE	6.3A 250V	L778	1-420-872-52	COIL, AIR-CORE	
△ F913	1-523-080-11	FUSE	6.3A 250V	L828	1-420-872-52	COIL, AIR-CORE	
		< IC >		L878	1-420-872-52	COIL, AIR-CORE	
IC350	6-712-294-01	IC KIA7807API-U/PF				< TRANSISTOR >	
IC352	6-712-295-01	IC KIA7907PI		Q301	8-729-620-07	TRANSISTOR	2SC3052EF-T1-LEF
IC400	6-716-394-01	IC BD3470KS2		Q302	8-729-620-07	TRANSISTOR	2SC3052EF-T1-LEF
IC501	6-715-227-01	IC HIC CXD9986L (AEP, UK, AUS)		Q320	6-550-327-01	TR	2SA1514KT146S
IC501	6-715-582-01	IC STK350-630TS-E (US, CND)		Q321	8-729-620-07	TRANSISTOR	2SC3052EF-T1-LEF
				Q323	6-550-327-01	TR	2SA1514KT146S
IC601	6-715-227-01	IC HIC CXD9986L (AEP, UK, AUS)		Q324	8-729-620-07	TRANSISTOR	2SC3052EF-T1-LEF
IC601	6-715-582-01	IC STK350-630TS-E (US, CND)		Q325	8-729-271-31	TRANSISTOR	2SC2713-G
IC701	6-715-227-01	IC HIC CXD9986L (AEP, UK, AUS)		Q350	8-729-620-07	TRANSISTOR	2SC3052EF-T1-LEF
IC701	6-715-582-01	IC STK350-630TS-E (US, CND)		Q355	8-729-620-07	TRANSISTOR	2SC3052EF-T1-LEF
IC801	6-715-227-01	IC HIC CXD9986L (AEP, UK, AUS)		Q360	8-729-620-07	TRANSISTOR	2SC3052EF-T1-LEF
IC801	6-715-582-01	IC STK350-630TS-E (US, CND)		Q365	8-729-620-07	TRANSISTOR	2SC3052EF-T1-LEF
		< JACK >		Q375	8-729-620-07	TRANSISTOR	2SC3052EF-T1-LEF
J401	1-774-411-11	JACK, PIN 6P (SA-CD/CD AUDIO IN, MD/TAPE AUDIO OUT/IN)		Q550	6-550-327-01	TR	2SA1514KT146S
J402	1-774-411-11	JACK, PIN 6P (TV AUDIO IN, VIDEO 1 AUDIO OUT/IN)		Q551	8-729-119-76	TRANSISTOR	2SA1175-HFE
J403	1-774-411-11	JACK, PIN 6P (SAT/CATV AUDIO IN, BD/DVD AUDIO IN, ZONE 2 AUDIO OUT)		Q552	8-729-922-39	TRANSISTOR	2SD2144S-V
J404	1-793-777-12	JACK, PIN 2P (SUBWOOFER AUDIO OUT)		Q555	6-550-327-01	TR	2SA1514KT146S
		< JUMPER RESISTOR >		Q601	8-729-119-76	TRANSISTOR	2SA1175-HFE
JR531	1-216-864-11	SHORT CHIP	0 (US, CND)	Q602	8-729-922-39	TRANSISTOR	2SD2144S-V
JR600	1-216-864-11	SHORT CHIP	0	Q611	6-550-327-01	TR	2SA1514KT146S
JR601	1-216-864-11	SHORT CHIP	0	Q612	6-550-327-01	TR	2SA1514KT146S
JR602	1-216-296-11	SHORT CHIP	0	Q651	8-729-119-76	TRANSISTOR	2SA1175-HFE
JR603	1-216-864-11	SHORT CHIP	0	Q652	8-729-922-39	TRANSISTOR	2SD2144S-V
JR605	1-216-296-11	SHORT CHIP	0	Q661	6-550-327-01	TR	2SA1514KT146S
JR606	1-216-296-11	SHORT CHIP	0	Q662	6-550-327-01	TR	2SA1514KT146S
JR612	1-216-296-11	SHORT CHIP	0	Q701	8-729-119-76	TRANSISTOR	2SA1175-HFE
JR613	1-216-864-11	SHORT CHIP	0	Q702	8-729-922-39	TRANSISTOR	2SD2144S-V
JR617	1-216-864-11	SHORT CHIP	0	Q711	6-550-327-01	TR	2SA1514KT146S
JR618	1-216-864-11	SHORT CHIP	0	Q712	6-550-327-01	TR	2SA1514KT146S
JR619	1-216-864-11	SHORT CHIP	0	Q751	8-729-119-76	TRANSISTOR	2SA1175-HFE
JR631	1-216-864-11	SHORT CHIP	0 (US, CND)	Q752	8-729-922-39	TRANSISTOR	2SD2144S-V
JR681	1-216-864-11	SHORT CHIP	0 (US, CND)	Q761	6-550-327-01	TR	2SA1514KT146S
JR700	1-216-864-11	SHORT CHIP	0	Q762	6-550-327-01	TR	2SA1514KT146S
JR701	1-216-296-11	SHORT CHIP	0	Q801	8-729-119-76	TRANSISTOR	2SA1175-HFE
JR702	1-216-296-11	SHORT CHIP	0	Q802	8-729-922-39	TRANSISTOR	2SD2144S-V
JR703	1-216-296-11	SHORT CHIP	0	Q811	6-550-327-01	TR	2SA1514KT146S
JR704	1-216-296-11	SHORT CHIP	0	Q812	6-550-327-01	TR	2SA1514KT146S
JR706	1-216-296-11	SHORT CHIP	0	Q851	8-729-119-76	TRANSISTOR	2SA1175-HFE
JR731	1-216-864-11	SHORT CHIP	0 (US, CND)	Q852	8-729-922-39	TRANSISTOR	2SD2144S-V
JR781	1-216-864-11	SHORT CHIP	0 (US, CND)	Q861	6-550-327-01	TR	2SA1514KT146S
JR831	1-216-864-11	SHORT CHIP	0 (US, CND)	Q862	6-550-327-01	TR	2SA1514KT146S
JR881	1-216-864-11	SHORT CHIP	0 (US, CND)	Q920	8-729-620-07	TRANSISTOR	2SC3052EF-T1-LEF
						< RESISTOR >	
				R301	1-216-825-11	METAL CHIP	2.2K 5% 1/10W
				R302	1-249-405-11	CARBON	100 5% 1/4W
				R303	1-249-405-11	CARBON	100 5% 1/4W
				R304	1-216-841-11	METAL CHIP	47K 5% 1/10W
				R305	1-216-841-11	METAL CHIP	47K 5% 1/10W
				R306	1-216-825-11	METAL CHIP	2.2K 5% 1/10W

Ref. No.	Part No.	Description	Remark	Ref. No.	Part No.	Description	Remark
R307	1-216-845-11	METAL CHIP	100K 5% 1/10W	R546	1-249-377-11	CARBON	0.47 5% 1/4W
R308	1-216-841-11	METAL CHIP	47K 5% 1/10W				(US, CND)
R309	1-216-821-11	METAL CHIP	1K 5% 1/10W	R547	1-216-069-00	METAL CHIP	6.8K 5% 1/10W
R320	1-216-837-11	METAL CHIP	22K 5% 1/10W	R548	1-216-081-00	METAL CHIP	22K 5% 1/10W
				R549	1-216-081-00	METAL CHIP	22K 5% 1/10W
R323	1-216-837-11	METAL CHIP	22K 5% 1/10W	R550	1-249-389-11	CARBON	4.7 5% 1/4W
R325	1-218-867-11	METAL CHIP	6.8K 0.5% 1/10W	R551	1-249-393-11	CARBON	10 5% 1/4W
R326	1-216-840-11	METAL CHIP	39K 5% 1/10W	R552	1-216-214-00	RES-CHIP	4.7K 2% 1/8W
R327	1-216-833-11	METAL CHIP	10K 5% 1/10W	R553	1-249-405-11	CARBON	100 5% 1/4W
R328	1-216-821-11	METAL CHIP	1K 5% 1/10W	R554	1-216-843-11	METAL CHIP	68K 5% 1/10W
R350	1-216-825-11	METAL CHIP	2.2K 5% 1/10W	R555	1-216-844-11	METAL CHIP	82K 5% 1/10W
R351	1-249-399-11	CARBON	33 5% 1/4W	R556	1-216-825-11	METAL CHIP	2.2K 5% 1/10W
R353	1-216-841-11	METAL CHIP	47K 5% 1/10W	R557	1-216-841-11	METAL CHIP	47K 5% 1/10W
R355	1-216-821-11	METAL CHIP	1K 5% 1/10W	R558	1-240-855-91	CARBON	6.2K 5% 1/4W
R356	1-249-399-11	CARBON	33 5% 1/14W	R559	1-216-845-11	METAL CHIP	100K 5% 1/10W
R358	1-216-841-11	METAL CHIP	47K 5% 1/10W	R560	1-216-821-11	METAL CHIP	1K 5% 1/10W
R360	1-216-821-11	METAL CHIP	1K 5% 1/10W	R562	1-216-823-11	METAL CHIP	1.5K 5% 1/10W
R361	1-249-399-11	CARBON	33 5% 1/4W	R563	1-208-445-41	RES-CHIP	2.2K 2% 1/10W
R363	1-216-841-11	METAL CHIP	47K 5% 1/10W	R564	1-216-835-11	METAL CHIP	15K 5% 1/10W
R365	1-249-399-11	CARBON	33 5% 1/4W	R565	1-208-826-11	METAL CHIP	68K 0.5% 1/10W
R366	1-216-841-11	METAL CHIP	47K 5% 1/10W	R566	1-216-818-11	METAL CHIP	560 5% 1/10W
R367	1-216-821-11	METAL CHIP	1K 5% 1/10W	R567	1-249-405-11	CARBON	100 5% 1/4W
R375	1-216-825-11	METAL CHIP	2.2K 5% 1/10W	R568	1-216-841-11	METAL CHIP	47K 5% 1/10W
R377	1-249-404-00	CARBON	82 5% 1/4W	R569	1-216-843-11	METAL CHIP	68K 5% 1/10W
R378	1-216-841-11	METAL CHIP	47K 5% 1/10W	R601	1-216-821-11	METAL CHIP	1K 5% 1/10W
R392	1-218-632-11	METAL CHIP	330 5% 1W	R602	1-216-843-11	METAL CHIP	68K 5% 1/10W
R393	1-218-632-11	METAL CHIP	330 5% 1W	R603	1-208-445-41	RES-CHIP	2.2K 2% 1/10W
R394	1-218-632-11	METAL CHIP	330 5% 1W	R604	1-208-826-11	METAL CHIP	68K 0.5% 1/10W
R395	1-218-632-11	METAL CHIP	330 5% 1W	R606	1-216-825-11	METAL CHIP	2.2K 5% 1/10W
R401	1-216-821-11	METAL CHIP	1K 5% 1/10W	R607	1-216-844-11	METAL CHIP	82K 5% 1/10W
R402	1-216-821-11	METAL CHIP	1K 5% 1/10W	R608	1-216-818-11	METAL CHIP	560 5% 1/10W
R403	1-216-821-11	METAL CHIP	1K 5% 1/10W	R609	1-249-405-11	CARBON	100 5% 1/4W
R404	1-216-821-11	METAL CHIP	1K 5% 1/10W	R610	1-249-405-11	CARBON	100 5% 1/4W
R405	1-216-821-11	METAL CHIP	1K 5% 1/10W	R611	1-216-214-00	RES-CHIP	4.7K 2% 1/8W
R407	1-216-821-11	METAL CHIP	1K 5% 1/10W	R612	1-240-855-91	CARBON	6.2K 5% 1/4W
R408	1-216-821-11	METAL CHIP	1K 5% 1/10W	R613	1-234-182-11	ENCAPSULATED COMPONENT	
R409	1-216-821-11	METAL CHIP	1K 5% 1/10W	R614	1-216-823-11	METAL CHIP	1.5K 5% 1/10W
R411	1-216-821-11	METAL CHIP	1K 5% 1/10W	R615	1-216-835-11	METAL CHIP	15K 5% 1/10W
R412	1-216-821-11	METAL CHIP	1K 5% 1/10W	R616	1-216-843-11	METAL CHIP	68K 5% 1/10W
R449	1-216-813-11	METAL CHIP	220 5% 1/10W	R620	1-216-841-11	METAL CHIP	47K 5% 1/10W
R450	1-216-813-11	METAL CHIP	220 5% 1/10W	R622	1-216-845-11	METAL CHIP	100K 5% 1/10W
R451	1-216-821-11	METAL CHIP	1K 5% 1/10W	R628	1-249-389-11	CARBON	4.7 5% 1/4W
R452	1-216-821-11	METAL CHIP	1K 5% 1/10W	R629	1-249-393-11	CARBON	10 5% 1/4W
R453	1-216-821-11	METAL CHIP	1K 5% 1/10W	R630	1-216-841-11	METAL CHIP	47K 5% 1/10W
R454	1-216-821-11	METAL CHIP	1K 5% 1/10W	R631	1-247-758-11	CARBON	3.3K 5% 1/2W
R455	1-216-821-11	METAL CHIP	1K 5% 1/10W				(AEP, UK, AUS)
R457	1-216-821-11	METAL CHIP	1K 5% 1/10W	R632	1-247-758-11	CARBON	3.3K 5% 1/2W
R458	1-216-821-11	METAL CHIP	1K 5% 1/10W				(AEP, UK, AUS)
R459	1-216-821-11	METAL CHIP	1K 5% 1/10W	R651	1-216-821-11	METAL CHIP	1K 5% 1/10W
R513	1-234-182-11	ENCAPSULATED COMPONENT		R652	1-216-843-11	METAL CHIP	68K 5% 1/10W
R531	1-247-758-11	CARBON	3.3K 5% 1/2W	R653	1-208-445-41	RES-CHIP	2.2K 2% 1/10W
			(AEP, UK, AUS)	R654	1-208-826-11	METAL CHIP	68K 0.5% 1/10W
R532	1-247-758-11	CARBON	3.3K 5% 1/2W	R656	1-216-825-11	METAL CHIP	2.2K 5% 1/10W
			(AEP, UK, AUS)	R657	1-216-844-11	METAL CHIP	82K 5% 1/10W
R542	1-216-377-11	METAL OXIDE	4.7 5% 2W	R658	1-216-818-11	METAL CHIP	560 5% 1/10W
			(AEP, UK, AUS)	R659	1-249-405-11	CARBON	100 5% 1/4W
R543	1-216-377-11	METAL OXIDE	4.7 5% 2W	R660	1-249-405-11	CARBON	100 5% 1/4W
			(AEP, UK, AUS)	R661	1-216-214-00	RES-CHIP	4.7K 2% 1/8W
R544	1-216-864-11	SHORT CHIP	0	R662	1-240-855-91	CARBON	6.2K 5% 1/4W
R545	1-249-377-11	CARBON	0.47 5% 1/4W	R663	1-234-182-11	ENCAPSULATED COMPONENT	
			(US, CND)	R664	1-216-823-11	METAL CHIP	1.5K 5% 1/10W

STR-DN1020

MAIN

Ref. No.	Part No.	Description	Remark	Ref. No.	Part No.	Description	Remark
R665	1-216-835-11	METAL CHIP	15K 5% 1/10W	R803	1-208-445-41	RES-CHIP	2.2K 2% 1/10W
R666	1-216-843-11	METAL CHIP	68K 5% 1/10W	R804	1-208-826-11	METAL CHIP	68K 0.5% 1/10W
R670	1-216-841-11	METAL CHIP	47K 5% 1/10W	R806	1-216-825-11	METAL CHIP	2.2K 5% 1/10W
R672	1-216-845-11	METAL CHIP	100K 5% 1/10W	R807	1-216-844-11	METAL CHIP	82K 5% 1/10W
R678	1-249-389-11	CARBON	4.7 5% 1/4W	R808	1-216-818-11	METAL CHIP	560 5% 1/10W
R679	1-249-393-11	CARBON	10 5% 1/4W	R809	1-249-405-11	CARBON	100 5% 1/4W
R680	1-216-841-11	METAL CHIP	47K 5% 1/10W	R810	1-249-405-11	CARBON	100 5% 1/4W
R681	1-247-758-11	CARBON	3.3K 5% 1/2W (AEP, UK, AUS)	R811	1-216-214-00	RES-CHIP	4.7K 2% 1/8W
R682	1-247-758-11	CARBON	3.3K 5% 1/2W (AEP, UK, AUS)	R812	1-240-855-91	CARBON	6.2K 5% 1/4W
R701	1-216-821-11	METAL CHIP	1K 5% 1/10W	R813	1-234-182-11	ENCAPSULATED COMPONENT	
R702	1-216-843-11	METAL CHIP	68K 5% 1/10W	R814	1-216-823-11	METAL CHIP	1.5K 5% 1/10W
R703	1-208-445-41	RES-CHIP	2.2K 2% 1/10W	R815	1-216-835-11	METAL CHIP	15K 5% 1/10W
R704	1-208-826-11	METAL CHIP	68K 0.5% 1/10W	R816	1-216-843-11	METAL CHIP	68K 5% 1/10W
R706	1-216-825-11	METAL CHIP	2.2K 5% 1/10W	R820	1-216-841-11	METAL CHIP	47K 5% 1/10W
R707	1-216-844-11	METAL CHIP	82K 5% 1/10W	R822	1-216-845-11	METAL CHIP	100K 5% 1/10W
R708	1-216-818-11	METAL CHIP	560 5% 1/10W	R828	1-249-389-11	CARBON	4.7 5% 1/4W
R709	1-249-405-11	CARBON	100 5% 1/4W	R829	1-249-393-11	CARBON	10 5% 1/4W
R710	1-249-405-11	CARBON	100 5% 1/4W	R830	1-216-841-11	METAL CHIP	47K 5% 1/10W
R711	1-216-214-00	RES-CHIP	4.7K 2% 1/8W	R831	1-247-758-11	CARBON	3.3K 5% 1/2W (AEP, UK, AUS)
R712	1-240-855-91	CARBON	6.2K 5% 1/4W	R832	1-247-758-11	CARBON	3.3K 5% 1/2W (AEP, UK, AUS)
R713	1-234-182-11	ENCAPSULATED COMPONENT		R851	1-216-821-11	METAL CHIP	1K 5% 1/10W
R714	1-216-823-11	METAL CHIP	1.5K 5% 1/10W	R852	1-216-843-11	METAL CHIP	68K 5% 1/10W
R715	1-216-835-11	METAL CHIP	15K 5% 1/10W	R853	1-208-445-41	RES-CHIP	2.2K 2% 1/10W
R716	1-216-843-11	METAL CHIP	68K 5% 1/10W	R854	1-208-826-11	METAL CHIP	68K 0.5% 1/10W
R720	1-216-841-11	METAL CHIP	47K 5% 1/10W	R856	1-216-825-11	METAL CHIP	2.2K 5% 1/10W
R722	1-216-845-11	METAL CHIP	100K 5% 1/10W	R857	1-216-844-11	METAL CHIP	82K 5% 1/10W
R728	1-249-389-11	CARBON	4.7 5% 1/4W	R858	1-216-818-11	METAL CHIP	560 5% 1/10W
R729	1-249-393-11	CARBON	10 5% 1/4W	R859	1-249-405-11	CARBON	100 5% 1/4W
R730	1-216-841-11	METAL CHIP	47K 5% 1/10W	R860	1-249-405-11	CARBON	100 5% 1/4W
R731	1-247-758-11	CARBON	3.3K 5% 1/2W (AEP, UK, AUS)	R861	1-216-214-00	RES-CHIP	4.7K 2% 1/8W
R732	1-247-758-11	CARBON	3.3K 5% 1/2W (AEP, UK, AUS)	R862	1-240-855-91	CARBON	6.2K 5% 1/4W
R751	1-216-821-11	METAL CHIP	1K 5% 1/10W	R863	1-234-182-11	ENCAPSULATED COMPONENT	
R752	1-216-843-11	METAL CHIP	68K 5% 1/10W	R864	1-216-823-11	METAL CHIP	1.5K 5% 1/10W
R753	1-208-445-41	RES-CHIP	2.2K 2% 1/10W	R865	1-216-835-11	METAL CHIP	15K 5% 1/10W
R754	1-208-826-11	METAL CHIP	68K 0.5% 1/10W	R866	1-216-843-11	METAL CHIP	68K 5% 1/10W
R756	1-216-825-11	METAL CHIP	2.2K 5% 1/10W	R870	1-216-841-11	METAL CHIP	47K 5% 1/10W
R757	1-216-844-11	METAL CHIP	82K 5% 1/10W	R872	1-216-845-11	METAL CHIP	100K 5% 1/10W
R758	1-216-818-11	METAL CHIP	560 5% 1/10W	R878	1-249-389-11	CARBON	4.7 5% 1/4W
R759	1-249-405-11	CARBON	100 5% 1/4W	R879	1-249-393-11	CARBON	10 5% 1/4W
R760	1-249-405-11	CARBON	100 5% 1/4W	R880	1-216-841-11	METAL CHIP	47K 5% 1/10W
R761	1-216-214-00	RES-CHIP	4.7K 2% 1/8W	R881	1-247-758-11	CARBON	3.3K 5% 1/2W (AEP, UK, AUS)
R762	1-240-855-91	CARBON	6.2K 5% 1/4W	R882	1-247-758-11	CARBON	3.3K 5% 1/2W (AEP, UK, AUS)
R763	1-234-182-11	ENCAPSULATED COMPONENT		R920	1-249-399-11	CARBON	33 5% 1/4W
R764	1-216-823-11	METAL CHIP	1.5K 5% 1/10W	R921	1-216-825-11	METAL CHIP	2.2K 5% 1/10W
R765	1-216-835-11	METAL CHIP	15K 5% 1/10W	R925	1-216-841-11	METAL CHIP	47K 5% 1/10W
R766	1-216-843-11	METAL CHIP	68K 5% 1/10W	RR11	1-249-393-11	CARBON	10 5% 1/4W
R770	1-216-841-11	METAL CHIP	47K 5% 1/10W	RR12	1-249-393-11	CARBON	10 5% 1/4W
R772	1-216-845-11	METAL CHIP	100K 5% 1/10W	RR13	1-249-393-11	CARBON	10 5% 1/4W
R778	1-249-389-11	CARBON	4.7 5% 1/4W	RR14	1-249-393-11	CARBON	10 5% 1/4W
R779	1-249-393-11	CARBON	10 5% 1/4W	RR15	1-249-393-11	CARBON	10 5% 1/4W
R780	1-216-841-11	METAL CHIP	47K 5% 1/10W	RR17	1-249-393-11	CARBON	10 5% 1/4W
R781	1-247-758-11	CARBON	3.3K 5% 1/2W (AEP, UK, AUS)	RR18	1-249-393-11	CARBON	10 5% 1/4W
R782	1-247-758-11	CARBON	3.3K 5% 1/2W (AEP, UK, AUS)			< RELAY >	
R801	1-216-821-11	METAL CHIP	1K 5% 1/10W	RY301	1-755-267-11	RELAY	
R802	1-216-843-11	METAL CHIP	68K 5% 1/10W	RY302	1-755-486-11	RELAY	

MAIN POWER KEY STANDBY

Ref. No.	Part No.	Description	Remark	Ref. No.	Part No.	Description	Remark
RY350	1-755-307-21	RELAY		C955	1-126-936-11	ELECT 3300uF 20%	16V
RY355	1-755-307-21	RELAY		C992	1-126-960-11	ELECT 1uF 20%	50V
RY360	1-755-307-21	RELAY		C993	1-100-566-91	CERAMIC CHIP 0.1uF 10%	25V
RY365	1-755-307-21	RELAY		C994	1-127-715-11	CERAMIC CHIP 0.22uF 10%	16V
RY375	1-755-307-21	RELAY		C995	1-100-566-91	CERAMIC CHIP 0.1uF 10%	25V
RY920	1-755-593-11	RELAY		C996	1-100-566-91	CERAMIC CHIP 0.1uF 10%	25V
		< TERMINAL >				< CONNECTOR >	
TB502	1-780-745-11	TERMINAL BOARD (SP) (2P) (SPEAKERS SURROUND BACK/FRONT HIGH/ BI-AMP/FRONT B)		CN914	1-691-767-11	PLUG (MICRO CONNECTOR) 5P	
TB503	1-780-746-11	TERMINAL BOARD (SP) (4P) (SPEAKERS CENTER/SURROUND BACK/ FRONT HIGH/BI-AMP/FRONT B)		* CNP901	1-793-660-11	PIN, CONNECTOR (PC BOARD) 3P	
TB504	1-780-747-11	TERMINAL BOARD (SP) (8P) (SPEAKERS FRONT A/SURROUND)		* CNP902	1-565-792-11	PIN, CONNECTOR (3.96mm PITCH) 2P	
		*****		CNP910	1-691-765-11	PLUG (MICRO CONNECTOR) 3P	
		POWER KEY BOARD		CNP911	1-691-766-11	PLUG (MICRO CONNECTOR) 4P	
		*****				< DIODE >	
		< CAPACITOR >		D900	8-719-061-07	DIODE D5SBA60-F	
C160	1-162-966-11	CERAMIC CHIP 0.0022uF 10%	50V	D901	6-502-961-01	DI DA2J10100L	
C161	1-162-966-11	CERAMIC CHIP 0.0022uF 10%	50V	D990	6-500-335-01	DIODE MC2838-T112-1	
		< CONNECTOR >		D993	6-500-848-01	DIODE MC2840-T112-1	
CNP180	1-691-766-11	PLUG (MICRO CONNECTOR) 4P		D994	6-500-848-01	DIODE MC2840-T112-1	
		< ROTARY ENCODER >				< EARTH TERMINAL >	
EN160	1-418-817-21	ENCODER, ROTARY (TONE/TUNING)		ET901	1-537-738-21	TERMINAL, GROUND	
		< RESISTOR >				< FUSE >	
R160	1-216-829-11	METAL CHIP 4.7K 5%	1/10W	△ F940	1-523-086-11	FUSE 3.15A 250V	
R161	1-216-825-11	METAL CHIP 2.2K 5%	1/10W	△ F941	1-523-086-11	FUSE 3.15A 250V	
R162	1-216-825-11	METAL CHIP 2.2K 5%	1/10W			< FUSE HOLDER >	
R163	1-216-837-11	METAL CHIP 22K 5%	1/10W	FH901	1-533-217-41	HOLDER, FUSE	
R164	1-216-833-11	METAL CHIP 10K 5%	1/10W	FH902	1-533-217-41	HOLDER, FUSE	
R165	1-216-821-11	METAL CHIP 1K 5%	1/10W			< TRANSISTOR >	
R166	1-216-833-11	METAL CHIP 10K 5%	1/10W	Q901	8-729-620-07	TRANSISTOR 2SC3052EF-T1-LEF	
		< SWITCH >		Q990	8-729-620-07	TRANSISTOR 2SC3052EF-T1-LEF	
S160	1-771-410-21	SWITCH, TACTILE (I/C)				< RESISTOR >	
S161	1-771-410-21	SWITCH, TACTILE (SPEAKERS)		R902	1-249-397-11	CARBON 22 5% 1/4W	(AEP, UK, AUS)
S162	1-771-410-21	SWITCH, TACTILE (TONE MODE)		R902	1-249-399-11	CARBON 33 5% 1/4W	(US, CND)
S163	1-771-410-21	SWITCH, TACTILE (TUNING MODE)		R903	1-216-825-11	METAL CHIP 2.2K 5% 1/10W	
S164	1-771-410-21	SWITCH, TACTILE (MEMORY/ENTER)		R904	1-216-841-11	METAL CHIP 47K 5% 1/10W	
S165	1-771-410-21	SWITCH, TACTILE (AUTO VOL)		R905	1-249-397-11	CARBON 22 5% 1/4W	(AEP, UK, AUS)
S166	1-771-410-21	SWITCH, TACTILE (SOUND OPTIMIZER)		R990	1-216-829-11	METAL CHIP 4.7K 5% 1/10W	
		*****		R991	1-216-833-11	METAL CHIP 10K 5% 1/10W	
		STANDBY BOARD		R993	1-216-833-11	METAL CHIP 10K 5% 1/10W	
		*****		R994	1-216-825-11	METAL CHIP 2.2K 5% 1/10W	(AEP, UK, AUS)
		< CAPACITOR >		R994	1-216-864-11	SHORT CHIP 0 (US, CND)	
C900	1-137-958-91	MYLAR 0.22uF 5%	100V	R995	1-216-841-11	METAL CHIP 47K 5% 1/10W	
C901	1-137-958-91	MYLAR 0.22uF 5%	100V	R996	1-216-841-11	METAL CHIP 47K 5% 1/10W	
C920	1-126-946-11	ELECT 6800uF 20%	25V	R997	1-216-841-11	METAL CHIP 47K 5% 1/10W	(AEP, UK, AUS)
C921	1-126-942-61	ELECT 1000uF 20%	25V			< RELAY >	
C943	1-100-566-91	CERAMIC CHIP 0.1uF 10%	25V	△ RY901	1-755-541-11	RELAY	
C951	1-137-980-91	CERAMIC CHIP 0.47uF 10%	50V				
C953	1-137-980-91	CERAMIC CHIP 0.47uF 10%	50V				

STR-DN1020

STANDBY **TEMP-SENSOR** **USB**

Ref. No.	Part No.	Description	Remark
< TRANSFORMER >			
△ T902	1-443-517-11	POWER TRANSFORMER (SUB) (AEP, UK, AUS)	
△ T902	1-445-635-11	POWER TRANSFORMER (SUB) (US, CND)	

TEMP-SENSOR BOARD *****			
< CAPACITOR >			
C250	1-100-566-91	CERAMIC CHIP 0.1uF	10% 25V
< RESISTOR >			
R251	1-218-855-11	METAL CHIP 2.2K	0.5% 1/10W
R252	1-218-855-11	METAL CHIP 2.2K	0.5% 1/10W
< THERMISTOR >			
△ THR251	1-804-045-11	THERMISTOR	
△ THR252	1-804-045-11	THERMISTOR	

A-1820-594-A	USB BOARD, COMPLETE *****		
< CAPACITOR >			
C4101	1-125-777-11	CERAMIC CHIP 0.1uF	10% 10V
C4102	1-100-354-21	ELECT CHIP 220uF	20% 6.3V
C4109	1-125-777-11	CERAMIC CHIP 0.1uF	10% 10V
C4110	1-165-989-11	CERAMIC CHIP 10uF	10% 6.3V
C4111	1-107-826-11	CERAMIC CHIP 0.1uF	10% 16V
C4112	1-125-777-11	CERAMIC CHIP 0.1uF	10% 10V
C4113	1-164-847-11	CERAMIC CHIP 7PF	0.5PF 50V
C4114	1-164-847-11	CERAMIC CHIP 7PF	0.5PF 50V
C4115	1-125-777-11	CERAMIC CHIP 0.1uF	10% 10V
C4116	1-125-777-11	CERAMIC CHIP 0.1uF	10% 10V
C4117	1-125-777-11	CERAMIC CHIP 0.1uF	10% 10V
C4118	1-125-777-11	CERAMIC CHIP 0.1uF	10% 10V
C4119	1-164-937-11	CERAMIC CHIP 0.001uF	10% 50V
C4120	1-164-937-11	CERAMIC CHIP 0.001uF	10% 50V
C4121	1-125-777-11	CERAMIC CHIP 0.1uF	10% 10V
C4127	1-164-874-11	CERAMIC CHIP 100PF	5% 50V
C4128	1-135-177-21	TANTAL. CHIP 1uF	10% 25V
C4129	1-124-779-00	ELECT CHIP 10uF	20% 16V
C4130	1-128-993-21	ELECT CHIP 22uF	20% 10V
C4131	1-164-862-11	CERAMIC CHIP 33PF	5% 50V
C4132	1-125-777-11	CERAMIC CHIP 0.1uF	10% 10V
C4133	1-164-862-11	CERAMIC CHIP 33PF	5% 50V
C4134	1-128-993-21	ELECT CHIP 22uF	20% 10V
C4135	1-135-177-21	TANTAL. CHIP 1uF	10% 25V
C4136	1-128-994-21	ELECT CHIP 47uF	20% 10V
C4137	1-162-966-11	CERAMIC CHIP 0.0022uF	10% 50V
C4138	1-107-819-11	CERAMIC CHIP 0.022uF	10% 16V
C4155	1-100-354-21	ELECT CHIP 220uF	20% 6.3V
C4156	1-125-777-11	CERAMIC CHIP 0.1uF	10% 10V
C4157	1-100-539-91	TANTAL. CHIP 47uF	20% 6.3V
C4158	1-125-777-11	CERAMIC CHIP 0.1uF	10% 10V
C4159	1-162-905-11	CERAMIC CHIP 1PF	0.25PF 50V
C4161	1-107-826-11	CERAMIC CHIP 0.1uF	10% 16V
C4162	1-100-354-21	ELECT CHIP 220uF	20% 6.3V
C4163	1-125-889-11	CERAMIC CHIP 2.2uF	10% 10V
C4164	1-125-889-11	CERAMIC CHIP 2.2uF	10% 10V

Ref. No.	Part No.	Description	Remark
C4165	1-137-980-91	CERAMIC CHIP 0.47uF	10% 50V
C4166	1-128-390-11	ELECT CHIP 220uF	20% 6.3V
C4167	1-165-989-11	CERAMIC CHIP 10uF	10% 6.3V
C4168	1-128-394-11	ELECT CHIP 220uF	20% 10V
C4169	1-107-826-11	CERAMIC CHIP 0.1uF	10% 16V
C4181	1-100-597-91	CERAMIC CHIP 0.1uF	10% 25V
C4182	1-100-597-91	CERAMIC CHIP 0.1uF	10% 25V
C4183	1-162-964-11	CERAMIC CHIP 0.001uF	10% 50V
C4184	1-162-964-11	CERAMIC CHIP 0.001uF	10% 50V
C4185	1-125-777-11	CERAMIC CHIP 0.1uF	10% 10V
C4186	1-125-777-11	CERAMIC CHIP 0.1uF	10% 10V
< CONNECTOR >			
CN4101	1-573-290-21	PIN, CONNECTOR (1.5MM) (SMD) 4P	
< DIODE >			
D4101	6-502-967-01	DI DZ2J06200L	
D4102	6-502-967-01	DI DZ2J06200L	
D4103	6-502-967-01	DI DZ2J06200L	
D4104	6-500-848-01	DIODE MC2840-T112-1	
D4105	6-500-848-01	DIODE MC2840-T112-1	
D4121	6-502-961-01	DI DA2J10100L	
D4160	6-502-961-01	DI DA2J10100L	
D4161	8-719-049-09	DIODE 1SS367-T3SONY	
D4162	8-719-049-09	DIODE 1SS367-T3SONY	
VD4120	1-811-155-11	ELEMENT, ESD PROTECT	
VD4121	1-811-155-11	ELEMENT, ESD PROTECT	
VD4170	1-811-155-11	ELEMENT, ESD PROTECT	
VD4171	1-811-155-11	ELEMENT, ESD PROTECT	
< EARTH TERMINAL >			
* ET4100	1-780-408-11	TERMINAL, LUG	
< FERRITE BEAD >			
FB4100	1-469-118-21	FERRITE, EMI (SMD) (1608)	
FB4101	1-469-152-11	FERRITE, EMI (SMD) (2012)	
FB4102	1-469-324-21	FERRITE, EMI (SMD) (2012)	
< IC >			
IC4100	6-714-684-01	IC BU81459KV-E2	
IC4101	8-759-338-95	IC NJM2903V (TE2)	
IC4102	6-717-006-01	IC BD00HC5WEFJ-E2	
IC4121	8-759-710-97	IC NJM4565M-D	
IC4160	8-759-591-61	IC TC7WHU04FU (TE12R)	
IC4161	6-705-468-01	IC BA33BC0FP-E2	
< JACK >			
J4000	1-819-866-11	CONNECTOR, USB (A) (iPhone/iPod ⚡)	
J4100	1-822-453-11	SMALL TYPE JACK (3.5MM) (AUTO CAL MIC)	
< TRANSISTOR >			
Q4121	8-729-620-07	TRANSISTOR 2SC3052EF-T1-LEF	
Q4123	6-551-693-01	TRANSISTOR RT3T11M-TP-1	
< RESISTOR >			
R4111	1-218-965-11	METAL CHIP 10K	5% 1/16W
R4112	1-218-941-81	METAL CHIP 100	5% 1/16W
R4114	1-218-990-81	SHORT CHIP 0	
R4115	1-218-941-81	METAL CHIP 100	5% 1/16W

Ref. No.	Part No.	Description	Remark	Ref. No.	Part No.	Description	Remark
R4116	1-218-941-81	METAL CHIP	100 5%	1/16W	55	1-828-965-51	WIRE (FLAT TYPE) (11 CORE) (AEP, UK, AUS)
R4117	1-218-941-81	METAL CHIP	100 5%	1/16W	56	1-693-737-21	TUNER (FM/AM) (AEP, UK, AUS)
R4118	1-218-941-81	METAL CHIP	100 5%	1/16W	56	1-693-779-11	TUNER (FM/AM) (US, CND)
R4119	1-218-941-81	METAL CHIP	100 5%	1/16W	108	1-828-673-21	WIRE (FLAT TYPE) (29 CORE)
R4120	1-218-941-81	METAL CHIP	100 5%	1/16W	△ 152	1-777-071-83	CORD, POWER (AEP, UK)
R4121	1-218-941-81	METAL CHIP	100 5%	1/16W	△ 152	1-833-566-21	POWER-SUPPLY CORD (AUS)
R4122	1-218-965-11	METAL CHIP	10K 5%	1/16W	△ 152	1-837-308-11	CORD, POWER-SUPPLY (US, CND)
R4123	1-218-965-11	METAL CHIP	10K 5%	1/16W	153	1-500-386-11	FILTER, CLAMP (FERRITE CORE)
R4124	1-218-965-11	METAL CHIP	10K 5%	1/16W	△ F901	1-532-465-33	FUSE, T3.15AL 250V (AEP, UK, AUS)
R4125	1-218-965-11	METAL CHIP	10K 5%	1/16W	△ F901	1-533-311-12	FUSE, GLASS (DIA.5) 8A 125V (US, CND)
R4126	1-218-965-11	METAL CHIP	10K 5%	1/16W	Q503	6-702-390-01	TRANSISTOR MN2488-OPY-MK
R4127	1-218-965-11	METAL CHIP	10K 5%	1/16W	Q504	6-702-391-01	TRANSISTOR MP1620-OPY-MK
R4129	1-218-873-11	METAL CHIP	12K 0.5%	1/10W	Q553	6-702-390-01	TRANSISTOR MN2488-OPY-MK
R4130	1-218-989-11	METAL CHIP	1M 5%	1/16W	Q554	6-702-391-01	TRANSISTOR MP1620-OPY-MK
R4131	1-218-945-11	METAL CHIP	220 5%	1/16W	Q603	6-702-390-01	TRANSISTOR MN2488-OPY-MK
R4132	1-218-941-81	METAL CHIP	100 5%	1/16W	Q604	6-702-391-01	TRANSISTOR MP1620-OPY-MK
R4133	1-218-961-11	METAL CHIP	4.7K 5%	1/16W	Q653	6-702-390-01	TRANSISTOR MN2488-OPY-MK
R4134	1-218-961-11	METAL CHIP	4.7K 5%	1/16W	Q654	6-702-391-01	TRANSISTOR MP1620-OPY-MK
R4135	1-218-961-11	METAL CHIP	4.7K 5%	1/16W	Q703	6-702-390-01	TRANSISTOR MN2488-OPY-MK
R4136	1-218-961-11	METAL CHIP	4.7K 5%	1/16W	Q704	6-702-391-01	TRANSISTOR MP1620-OPY-MK
R4137	1-218-973-11	METAL CHIP	47K 5%	1/16W	Q753	6-702-390-01	TRANSISTOR MN2488-OPY-MK
R4138	1-218-953-11	METAL CHIP	1K 5%	1/16W	Q754	6-702-391-01	TRANSISTOR MP1620-OPY-MK
R4139	1-218-973-11	METAL CHIP	47K 5%	1/16W	Q853	6-702-390-01	TRANSISTOR MN2488-OPY-MK
R4141	1-218-965-11	METAL CHIP	10K 5%	1/16W	Q854	6-702-391-01	TRANSISTOR MP1620-OPY-MK
R4142	1-218-973-11	METAL CHIP	47K 5%	1/16W	△ T901	1-445-652-31	POWER TRANSFORMER (MAIN) (AEP, UK, AUS)
R4143	1-208-702-11	METAL CHIP	6.2K 0.5%	1/16W	△ T901	1-445-797-21	POWER TRANSFORMER (MAIN) (US)
R4144	1-218-974-11	METAL CHIP	56K 5%	1/16W	△ T901	1-445-824-21	POWER TRANSFORMER (MAIN) (CND)
R4145	1-218-963-11	METAL CHIP	6.8K 5%	1/16W	*****		
R4146	1-218-953-11	METAL CHIP	1K 5%	1/16W	ACCESSORIES		
R4147	1-218-977-11	METAL CHIP	100K 5%	1/16W	*****		
R4148	1-218-965-11	METAL CHIP	10K 5%	1/16W	1-489-376-12	REMOTE COMMANDER (including BATTERY LID) (RM-AAP063) (US, CND)	
R4149	1-218-965-11	METAL CHIP	10K 5%	1/16W	1-489-377-12	REMOTE COMMANDER (including BATTERY LID) (RM-AAP064) (AEP, UK, AUS)	
R4150	1-218-977-11	METAL CHIP	100K 5%	1/16W	1-501-374-12	ANTENNA, LOOP (AM loop antenna (aerial))	
R4160	1-216-864-11	SHORT CHIP	0		1-542-830-11	MEASUREMENT MIC (MONO) (Optimizer microphone (ECM-AC2))	
R4161	1-218-985-11	METAL CHIP	470K 5%	1/16W	△ 1-770-019-71	ADAPTOR, CONVERSION PLUG 3P (UK)	
R4162	1-220-169-11	METAL CHIP	75 5%	1/16W	1-793-184-51	CONNECTOR (F TYPE ADAPTOR) (FM wire antenna (aerial))	
R4163	1-218-949-11	METAL CHIP	470 5%	1/16W	1-835-329-21	CORD, CONNECTION (USB5P) (TDM-IP30) (US, CND)	
R4164	1-218-973-11	METAL CHIP	47K 5%	1/16W	1-838-669-11	CORD, CONNECTION (TDM-IP30) (US, CND)	
R4174	1-216-864-11	SHORT CHIP	0		3-277-576-21	ESCUTCHEON (TDM-IP30) (US, CND)	
R4175	1-216-864-11	SHORT CHIP	0		4-273-051-13	INSTRUCTION MANUAL (ENGLISH) (US, CND, AUS)	
R4180	1-218-879-11	METAL CHIP	22K 0.5%	1/10W	4-273-051-21	INSTRUCTION MANUAL (FRENCH) (CND)	
R4181	1-218-883-11	METAL CHIP	33K 0.5%	1/10W	4-282-218-11	INSTRUCTION MANUAL (WEB) (ENGLISH) (UK)	
R4182	1-218-871-11	METAL CHIP	10K 0.5%	1/10W	4-282-218-21	INSTRUCTION MANUAL (WEB) (SPANISH) (US, AEP)	
R4183	1-218-868-11	METAL CHIP	7.5K 0.5%	1/10W	4-282-218-31	INSTRUCTION MANUAL (WEB) (FRENCH) (AEP)	
R4184	1-245-984-21	RES-CHIP	0.1 1%	1/2W	4-282-218-41	INSTRUCTION MANUAL (WEB) (GERMAN) (AEP)	
R4185	1-218-868-11	METAL CHIP	7.5K 0.5%	1/10W	4-282-218-51	INSTRUCTION MANUAL (WEB) (DUTCH) (AEP)	
R4186	1-218-965-11	METAL CHIP	10K 5%	1/16W	4-282-218-61	INSTRUCTION MANUAL (WEB) (ITALIAN) (AEP)	
R4187	1-218-965-11	METAL CHIP	10K 5%	1/16W	4-282-218-71	INSTRUCTION MANUAL (WEB) (POLISH) (AEP)	
R4188	1-218-871-11	METAL CHIP	10K 0.5%	1/10W	4-282-219-11	INSTRUCTION MANUAL (WEB) (DANISH) (AEP)	
R4189	1-218-868-11	METAL CHIP	7.5K 0.5%	1/10W	4-282-219-21	INSTRUCTION MANUAL (WEB) (FINNISH) (AEP)	
R4190	1-218-873-11	METAL CHIP	12K 0.5%	1/10W	4-282-219-31	INSTRUCTION MANUAL (WEB) (PORTUGUESE) (AEP)	
		< VIBRATOR >			4-282-219-41	INSTRUCTION MANUAL (WEB) (GREEK) (AEP)	
X4102	1-814-482-11	QUARTZ CRYSTAL UNIT (16.9344MHz)			4-282-219-51	INSTRUCTION MANUAL (WEB) (TURKISH) (AEP)	
		MISCELLANEOUS					

52	1-500-082-11	CLAMP, SLEEVE FERRITE					
55	1-828-958-51	WIRE (FLAT TYPE) (9 CORE) (US, CND)					

Note: If wire (flat type) is replaced, install it after bending it in the same form as that before replacement.

STR-DN1020

<u>Ref. No.</u>	<u>Part No.</u>	<u>Description</u>	<u>Remark</u>
	4-282-219-61	INSTRUCTION MANUAL (WEB) (HUNGARIAN)	(AEP)
	4-282-219-71	INSTRUCTION MANUAL (WEB) (CZECH) (AEP)	
	4-282-219-81	INSTRUCTION MANUAL (WEB) (SLOVAKIAN)	(AEP)
	4-282-219-91	INSTRUCTION MANUAL (WEB) (SWEDISH) (AEP)	
	7-685-104-19	SCREW +P 2X6 TYPE2 NON-SLIT (TDM-IP30)	(US, CND)
	A-1797-336-A	OVERALL ASSY (TDM-IP30) (US, CND)	

MEMO

