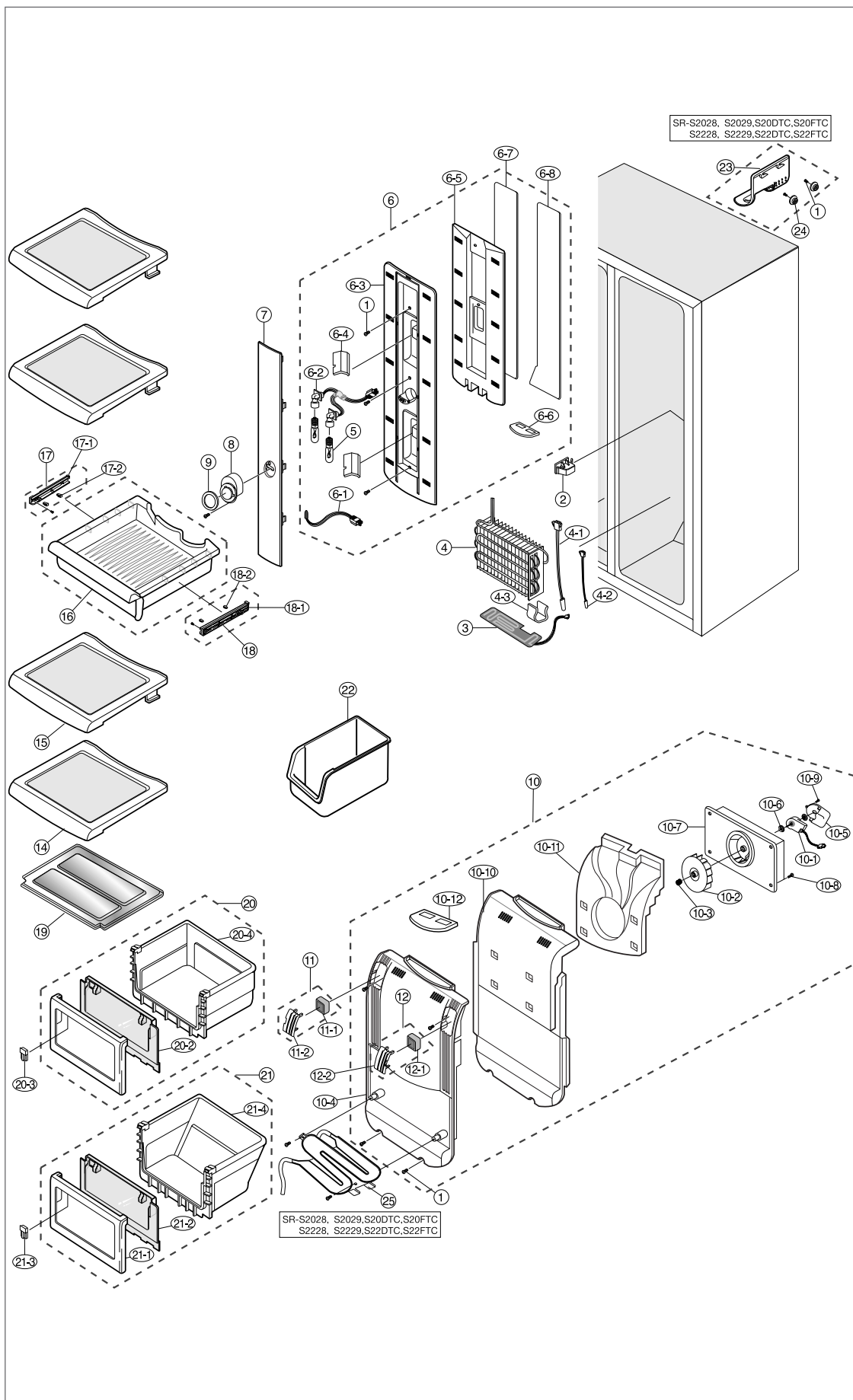


14-2) Vue éclatée du compartiment réfrigérateur (SR-S20.. ~ S22..)



● Pièces du réfrigérateur (SR-S20.. ~ S22..)

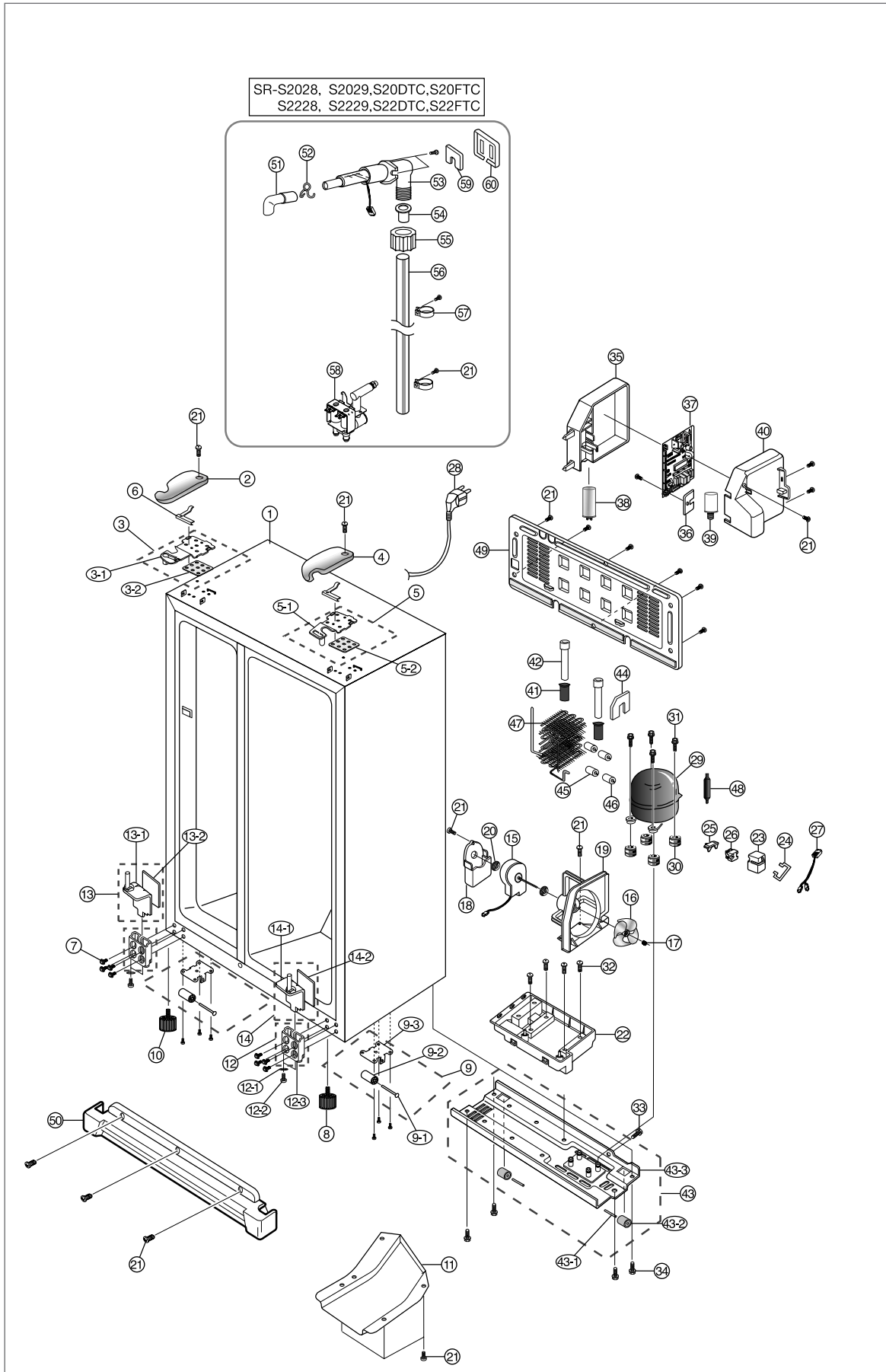
N°	Code	Désignation	Spécification	Quantité	Remarque
1	NON DELIVRER	SCREW-TAPPING	TH-1, M4 x 16, ZPC(YEL), MSWR1	10	
2	DA34-10110B	SWITCH-DOOR	125/1.5A.25	1	
3	DA47-00022B	RESISTANCE GOUTTIERE	240V, 25W, 1210 Ω	1	
4	DA59-00065F	EVAPORATEUR, ASSY	220V/60, 100W	1	
4-1	DA32-10109N	SENSOR-ASSY	502AT, L370, YELLOW	1	(DEFROST SENSOR)
4-2	DA47-00095B	THERMO-FUSE, CPL	250V, 72°C	1	
4-3	DA71-00092A	FIXER-SENSOR	STS304, T0.5	1	
5	4713-001132	LAMPE	240V, 30W, TRP, 25 x 84mm	2	Fusible Type
6	DA63-00218C	COVER-MULTI REF, ASSY		1	
6-1	DA32-10105H	SENSOR-ASSY	502AT, TEMP CAP TYPE	1	(FREEZER INSIDE SENSOR)
6-2	DA47-40112Y	LAMP-HOLDER	E-14 BASE, 240V	1	
6-3	DA63-00158A	COVER-MULTI, REF	PP	1	
6-4	DA71-00149A	REINF-COVER, MULTI	AL, T0.5	2	
6-5	DA72-00144A	INS-DUCT REF, UP	FOAM-PS	1	
6-6	NON DELIVRER	PLATE-INS, DUCT	OJC-3007, T5	1	
6-7	NON DELIVRER		FOAM-PE, T2	1	
6-8	NON DELIVRER	SEAL-COVER MULTI, REF	HOMO-PP, T0.35	1	
7	DA63-00160A	SEAL-COVER MULTI, REF	PP	1	
8	DA63-00162A	SEAL-AIR REF, UP	ABS	1	
9	DA63-00178A	CAP-SCREW	GPPS	1	
10	DA63-00217C	COVER-EVAP REF, ASSY	PP, 220V	1	
10-1	DA31-00020E	MOTOR-FAN(BLDC)	UDQM002H4ASS, 2650rpm	1	
10-2	DA31-00016A	VENTILLATEUR	ABS, Ø95	1	
10-3	DA61-20128A	SPRING-FAN	STS27, ID1, PI7.8	1	
10-4	DA63-00159A	CARTER EVAP SEUL	PP	1	
10-5	DA63-00184A	COVER-MOTOR	PP, BLDC	1	
10-6	NON DELIVRER	GROMMET-MOTOR	NBR, BLK	2	
10-7	NON DELIVRER	CASE-MOTOR	PP, BLDC	1	
10-8	6002-000215	SCREW-TAPPING	TH-1, M4 x 16, ZPC(YEL), MSWR1	4	

Les pièces en rapport avec la sécurité électrique apparaissent en gris.

N°	Code	Désignation	Spécification	Quantité	Remarque
10-10	NON DELIVRER	INS-COVER EVAP REF, A	FOAM-PS	1	
10-11	NON DELIVRER	INS-COVER EVAP REF, B	FOAM-PS	1	
10-12	NON DELIVRER	SEAL-AIR REF, UP	OJC-3000, BLK, T5	1	
11	NON DELIVRER	COVER-PURIFIER L, ASSY	ABS, WHT	1	
11-1	DA02-90106J	CATALYST-LTC	LTC, SS-400-15-2, T.15	1	
11-2	DA63-00163B	COVER-PURIFIER, L	ABS	1	
12	NON DELIVRER	COVER-PURIFIER R, ASSY	ABS, WHT	1	
12-1	DA02-90106J	CATALYST-LTC	LTC, SS-400-15-2, T.15	1	
12-2	DA63-00164B	COVER-PURIFIER, R	ABS	1	
13	DA67-40250F	TRAY-UTILITY	GPPS, NTR	1	
14	DA67-00148A	SHELF-REF, LOW	PP+GLASS	1	
15	DA67-00149A	SHELF-REF, UP	PP+GLASS	3	
16	DA66-00038A	TRAY-CHILLED, ROOM	GPPS	1	
17	DA61-60183B	RAIL-LOW L, ASSY	HIPS, SC-93437R	1	
17-1	NON DELIVRER	RAIL-LOW, L	HIPS, SC-93437R	1	
17-2	NON DELIVRER	GROMMET-RAIL	NY-66, SC-93437R	2	
18	DA61-60184B	RAIL-LOW R, ASSY	HIPS, SC-93437R	1	
18-1	NON DELIVRER	RAIL-LOW, R	HIPS, SC-93437R	1	
18-2	NON DELIVRER	GROMMET-RAIL	NY-66, SC-93437R	2	
19	DA63-10942A	COVER-VEG, LOW	PP, T2.5	1	
20	DA67-00184C	CASE-VEG UP, ASSY		1	
20-1	DA63-00175A	COVER-VEG FRONT, A	HIPS	1	
20-2	NON DELIVRER	COVER-VEG FRONT, B	GPPS	1	
20-3	DA64-00085A	KNOB-MOIS, CONTROL	HIPS	1	
20-4	DA67-00152A	CASE-VEG, UP	PP	1	
21	DA67-00185C	CASE-VEG LOW, ASSY		1	
21-1	DA63-00175A	COVER-VEG FRONT, A	HIPS	1	
21-2	NON DELIVRER	COVER-VEG FRONT, B	GPPS	1	
21-3	DA64-00085A	KNOB-MOIS, CONTROL	HIPS	1	
21-4	DA67-00153A	CASE-VEG, LOW	PP	1	
22	DA67-40250F	TRAY-UTILITY	GPPS NTR	1	
23	DA67-00145A	SHELF-WINE	HIPS	1	
24	DA71-20252A	FIXER-GROMMET, DOOR	ABS, W9175	2	
25	DA74-00056C	TANK-WATER, ASS'Y	HP-PE	1	



14-3) Vue éclatée de l'appareil (SR-S20.. ~ S22..)



● Liste des pièces de l'appareil (SR-S20.. ~ S22..)

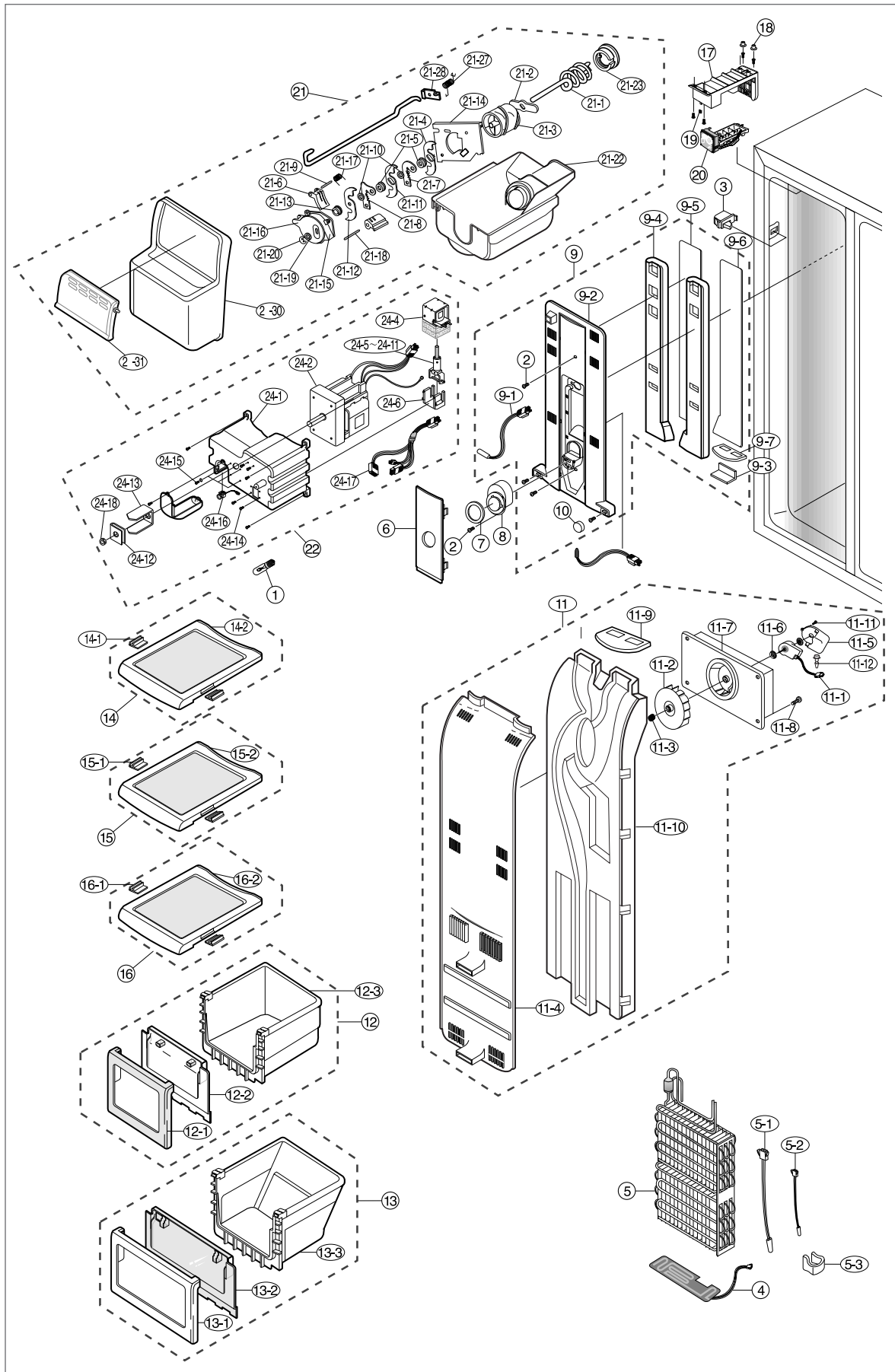
N°	Code	Désignation	Spécification	Quantité	Remarque
1	NON DELIVRER	CABI-FOAM, ASSY	S/WHITE, SC-97527T	1	
2	DA63-00201B	COVER-HINGE UP, L	ABS, SC-97527R, S/WHITE	1	
3	DA61-00059C	HINGE-UP ASSY, L	SHP1, T3.0	1	
3-1	DA61-00051C	HINGE-UP, L	SHP1, T3.0	1	
3-2	NON DELIVRER	SHIM-HINGE, UP	RD-PVC, T1.0	1	
4	DA63-00200B	COVER-HINGE UP, R	ABS, SC-97527R, S/WHITE	1	
5	DA61-00058D	HINGE-UP ASSY, R	SHP1, T3.0	1	
5-1	DA61-00052D	HINGE-UP, R	SHP1, T3.0	1	
5-2	NON DELIVRER	SHIM-HINGE, UP	RD-PVC, T1.0	1	
6	DA71-20267A	FIXER-HINGE, UP	SCP1, T3, ZPC3	2	
7	NON DELIVRER	SCREW-TAP, TITE	HH, M6 x 19, ZPC2-W	8	
8	DA60-10122C	SCREW-TAP, TITE	HH, M5 x 16, ZPC2-W, WSWR10	6	
9	DA61-00056A	ROULETTE AVANT CPL	SCP1	2	
9-1	DA60-90124A	RIVET-CASTER	MSWR10, OD6.0, L56, ZPC3	1	
9-2	DA61-40115B	CASTER-FRONT	NY-66, BLK, ID6, OD30	1	
9-3	NON DELIVRER	REINF-CASTER, FRONT	SHP1, T2.5	1	
10	DA61-30102B	FOOT-FRONT	PP, L53	2	
11	NON DELIVRER	DUCT-CABI, C	ABS	1	
12	DA71-00157A	BRACKET-HINGE LOW, ASSY	SHP1, T2.6, BLK	2	
12-1	NON DELIVRER	NUT-HEXAGON	2C, M5, ZPC(YEL), SM20C	2	
12-2	DA60-10146A	SCREW-MACHINE	HWH, M5 x 16, ZPC2, SWRCH10A	2	
12-3	DA71-00131A	BRACKET-HINGE, LOW	SHP1, T2.6, BLK	1	
13	DA61-00112A	HINGE-LOW ASSY, L	SHP1, T4.5	1	
13-1	DA61-00096A	HINGE-LOW L	SHP1, T4.5, BLK	1	
13-2	NON DELIVRER	SHIM-HINGE, LOW	RD-PVC, T1.0	1	
14	DA61-00111A	HINGE-LOW ASSY, R	SHP1, T4.5	1	
14-1	DA61-00095A	HINGE-LOW, R	SHP1, T4.5, BLK	1	
14-2	NON DELIVRER	SHIM-HINGE, LOW	RD-PVC, T1.0	1	
15	DA31-00020F	MOTOR-CIRCUIT(BLDC)	240V/50Hz, UDQM002H4ASS, 2650rpm	1	
16	DA31-00015A	FAN-TURBO	ABS	1	

Les pièces en rapport avec la sécurité électrique apparaissent en gris.

N°	Code	Désignation	Spécification	Quantité	Remarque
17	NON DELIVRER	SPRING-FAN	STS27, ID1.0, P17.8	1	
18	DA63-00184A	COVER-MOTOR	PP, BLDC	1	
19	NON DELIVRER	SUPPORT-MOTOR CIRCUIT, AC	PP, T2.0, BLDC	1	
20	NON DELIVRER	GROMMET-MOTOR	NBR, BLK	2	
21	6002-000213	SCREW-TAPPING	TH-1, M4 x 12, ZPC(YEL), SWRCH18	19	
22	DA66-00075A	TRAY-DRAIN WATER, ASSY	PP	1	
23	DA63-10352A	COVER-RELAY	BLK, HOOK TYPE	1	
24	NON DELIVRER	CABLE-CLAMP	DAMC-103, SPC1, PE FOAM	2	
25	DA34-10003F	PROTECTOR-O/L	4TM265RFBYY-53	1	
26	DA35-10013B	RELAY-PTC	J531Q35E330M385-2, 385V 6A	1	
27	NON DELIVRER	CABLAGE	220V	1	
28	DA39-10115E	CBF(POWER-CORD)			
29	DK182QL2U/E01	COMPRESSOR R134A	*DK182Q-L2U	1	
30	DA63-40004A	GROMMET-COMP	NBR, BLK	5	
31	NON DELIVRER	BOLT-HEX, COMP	SM30C, M6, L42.6	4	
32	NON DELIVRER	SCREW-TAPPING	PH-1, P14.0, L23, ZPCS-Y, SWRCH1	4	
33	NON DELIVRER	VIS TERRE	M4-10, BSBN	2	
34	NON DELIVRER	SCREW-TAP, TITE	HH, M6 x 16, ZPC2-Y	10	
35	DA61-00055A	CASE-PCB, PANEL	PP	1	
36	DA71-00155A	FIXER-MAIN, PCB	RD-PVC, T2.0, NTR	1	
37		PBA-MAIN	T1.6*197*123, MAIN PCB ASS'Y	1	BASIC TYPE
	DA41-00027A	PBA-MAIN	T1.6*197*123, MAIN PCB ASS'Y	1	ICE & WATER DISP
38	2501-001186	C-OIL	5uF, 350V, BK, 43x55mm	1	
39	DA27-00002A	FILTER-EMI, AC LINE	250V, 10A, 330000pF, 38 x 50mm	1	
40	DA63-00212A	COVER-PANEL, PCB	PP, T2.7	1	
41	NON DELIVRER	CAP-DRAIN, SUB	NBR, BLK	2	
42	DA74-00044A	HOSE-DRAIN, SUB	LD-PE	2	
43	DA71-00089B	CHASSIS-COMP, ASSY	SBHG1, T1.2	1	
43-1	DA60-90101A	RIVET-CASTER	ZPC2, MSWR10	2	
43-2	DA61-40101A	CASTER-REAR	PP, NTR, BJ-730	2	
43-3	NON DELIVRER	CHASSIS-COMP	SBHG1, T1.2	1	

N°	Code	Désignation	Spécification	Quantité	Remarque
44	NON DELIVRER	SEAL-COND	FOAM-PE, T.7	1	
45	NON DELIVRER	GROMMET-SUCT, PIPE	NR, BLK	2	
46	NON DELIVRER	GROMMET-SUCT, PIPE	NR, BLK	2	
47	DA73-00078C	CONDENSEUR CPL	SWST Ø4.76	1	
48	DA73-30102E	DESHIDRATEUR	Cu 0D18.85,L102	1	
49	DA63-00278C	COVER-COMP, ASSY	SBHG1, T0.4	1	
50	DA63-00189B	PLINTHE BLANCHE	HIPP, SC-97527R, S/WHITE	1	
51	DA63-00422A	GROMMET-WATER FILL, IN	SILICON, NTR	1	
52	DA63-00400A	FIXER-GROMMET TUBE, FILL	STS304	1	
53	DA73-00136A	PIPE-WATER FRE. ASSY	AL, 240V 7W	1	
54	DA71-20207A	FIXER-VALVE. WATER	NY-6, NTR	2	
55	DA60-30104A	NUT-WATER. LINE	NY-6	1	
56	DA73-00070C	PIPE-WATER. LINE	LDPE, L2300	1	
57	DA65-20110B	CLAMP	DN-5N, NY-66	6	
58	DA74-40149C	VALVE-WATER. ASSY	RIV-12A-4, 220-240V	1	
59	DA72-00387A	SEAL-WATER. PIPE	FOAM-PE, T10	1	
60	DA63-00432A	COVER-PIPE WATER. ASSY	GALVA+SPONGE	1	

**14-4) Vue éclatée du compartiment congélateur
(SR-S2028, S2029, S2228, S2229/)**



● Liste des pièces du congélateur (SR-S2028, S2029, S2228, S2229/S20DTC, S20FTC, S22DTC, S22FTC)

N°	Code	Désignation	Spécification	Quantité	Remarque
1	4713-001132	LAMP-INCANDESCENT	240V, 30W, 25 x 84mm	1	Fusible Type
2	NON DELIVRER	SCREW-TAPPING	TH-1, M4 x 16, ZPC(YEL), MSWR10	12	
3	DA34-10120A	SWITCH-DOOR	125V/250V, 0.5A, PA6, WHT	1	
4	DA47-00023B	HEATER-DRAIN, FRE	240V, 25W	1	
5	DA59-00068D	EVAP-FRE, ASSY	220V/200W	1	
5-1	DA32-10109R	SENSOR-ASSY	502AT, L540, YELLOW	1	(Defrost Sensor)
5-2	DA47-00095A	THERMO-FUSE CPL	250, 10A, 72°C	1	
5-3	DA71-00092A	FIXER-SENSOR	STS304, T0.5	1	
6	DA63-00155A	COVER-LAMP, FRE	PP	1	
7	DA63-00162A	COVER-SENSOR, B	ABS	1	
8	DA63-00178A	COVER-SENSOR, A	GPPS	1	
9	DA63-00231B	COVER-MULTI FRE, ASSY	PP, ET-PJT	1	
9-1	DA32-10105H	SENSOR-ASSY	502AT, TEMP CAP TYPE	1	(Freezer Inside Sensor)
9-2	DA63-00363A	COVER-MULTI, FRE	PP	1	
9-3	NON DELIVRER	PLATE-INS, DUCT	RD-PVC, T1.2	2	
9-4	NON DELIVRER	INS-DUCT FRE. UP	FOAM-PS, FRE	1	
9-5	NON DELIVRER	SEAL-COVER MULTI, FRE	"L", HOMO-PE, T0.35	1	
9-6	NON DELIVRER	SEAL-COVER MULTI, FRE	"R", HOMO-PE, T0.35	1	
9-7	NON DELIVRER	SEAL-AIR FRE, UP	OJC-3000, T.7	1	
10	DA67-30367B	CAP-SCREW	SILICON	2	
11	DA63-00232C	COVER-EVAP FRE, ASSY	ET-PJT 240V	1	
11-1	DA31-00020F	MOTOR-FAN(BLDC)	UDQM002H4ASS, 2650rpm	1	
11-2	DA31-00016A	FAN-CIRCUIT	ABS, Ø95	1	
11-3	DA61-20128A	SPRING-FAN	STS27, ID.1.0, P17.8	1	
11-4	DA63-00153B	COVER-EVAP, FRE	PP	1	
11-5	DA63-00184A	COVER-MOTOR	PP, BLDC	1	
11-6	NON DELIVRER	GROMMET-MOTOR	NBR, BLK	2	
11-7	DA67-00158A	CASE-MOTOR	NON DELIVRER VOIR REP 11	0	
11-8	NON DELIVRER	SCREW-TAPPING	TH-1, M4 x 16, ZPC(YEL), MSWR10	4	
11-9	NON DELIVRER	SEAL-AIR EVAP, FRE	OJC-3000, BLK, T.5	1	
11-10	NON DELIVRER	INS-COVER EVAP, FRE	FOAM-PS	1	

Les pièces associées à la sécurité électrique apparaissent en gris.

N°	Code	Désignation	Spécification	Quantité	Remarque
11-11	NON DELIVRER	SCREW-TAPPING	TH-1,M4 x 12, STS304	1	
11-12	NON DELIVRER	GROMMET-CASE, MOTOR	COMMANDER ENSEMBLE	1	
12	DA67-00182C	CASE-BASKET UP, ASSY	ET-P/J	1	
12-1	DA63-00170A	COVER-BASKET FRONT, A	HIPS	1	
12-2	DA63-00174C	COVER-BASKET FRONT, B	GPPS	1	
12-3	DA67-00150A	CASE-BASKET, UP	PP	1	
13	DA67-00183C	CASE-BASKET LOW, ASSY	ET-P/J	1	
13-1	DA63-00170A	COVER-BASKET FRONT, A	HIPS	1	
13-2	DA63-00174C	COVER-BASKET FRONT, B	GPPS	1	
13-3	DA67-00151A	CASE-BASKET, LOW	PP	1	
14	DA67-00179A	SHELF-FRE UP, ASSY	ET-P/J	2	
14-1	NON DELIVRER	TRIM-SHELF	PE, T1.0	4	
14-2	NON DELIVRER	SHELF-FRE, UP	HIPS+GLASS	1	
15	DA67-00181A	SHELF-FRE LOW, ASSY	ET-P/J	1	
15-1	NON DELIVRER	TRIM-SHELF	PE, T1.0	2	
15-2	NON DELIVRER	SHELF-FRE, LOW	HIPS	1	
16	DA67-00181B	SHELF-FRE LOW, ASSY	ET-P/J	1	
16-1	NON DELIVRER	TRIM-SHELF	PE. T1.0	2	
16-2	NON DELIVRER	SHELF-FRE, LOW	HIPS	1	
17	DA61-70253B	SUPT-ICE,MAKER	HIPS	1	
18	DA71-20252A	FIXER-GROMMET,DOOR	ABS,W9175	2	
19	DA71-20270A	FIXER-CASE	NBR,SD-8922,T2.5	3	
20	DA59-30103G	ICE-MAKER VOIR INFO 17	ZIPEL,DC 12V,DC 5V	1	
21	DA59-00136A	BROYEUR GLACE CPL	ET-PJT	1	
21-1	NON DELIVRER	CLAMP-HELIX,DISP	STS304,08	1	
21-2	DA31-20123A	PALES-DISTRIBUTEUR	STS420-J2,T2.0	1	
21-3	DA31-20009A	PALES-DISTRIBUTEUR	PC,SR-S7240,0D113,T2	1	
21-4	DA31-20120C	PALES	STS420-J2, T2.0	1	
21-5	NON DELIVRER	JOINT-POM;BROYEUR	CRUSHER MID, POM	2	
21-6	NON DELIVRER	FIXER-BALCONNET	POM, W9236E	1	
21-7	NON DELIVRER	PALES	STS420-J2, SR-S7180, T2.0	1	

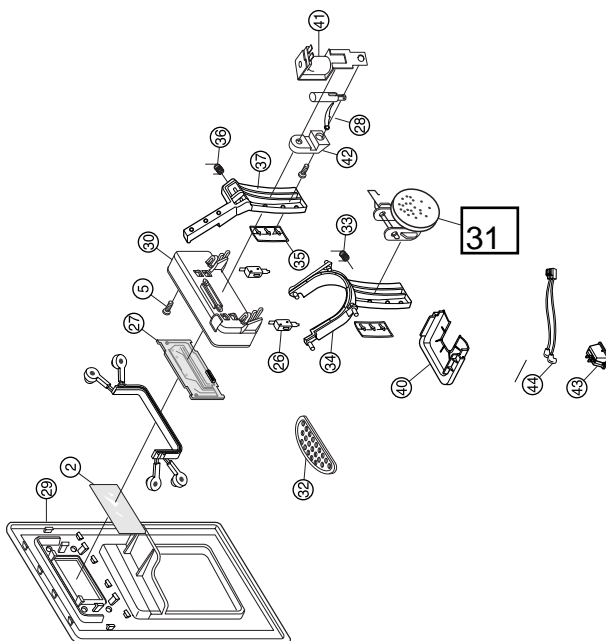
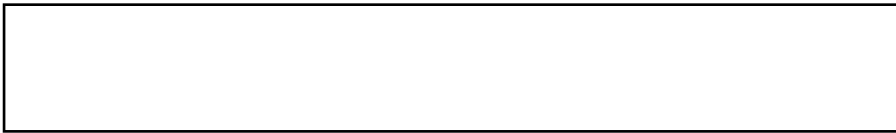
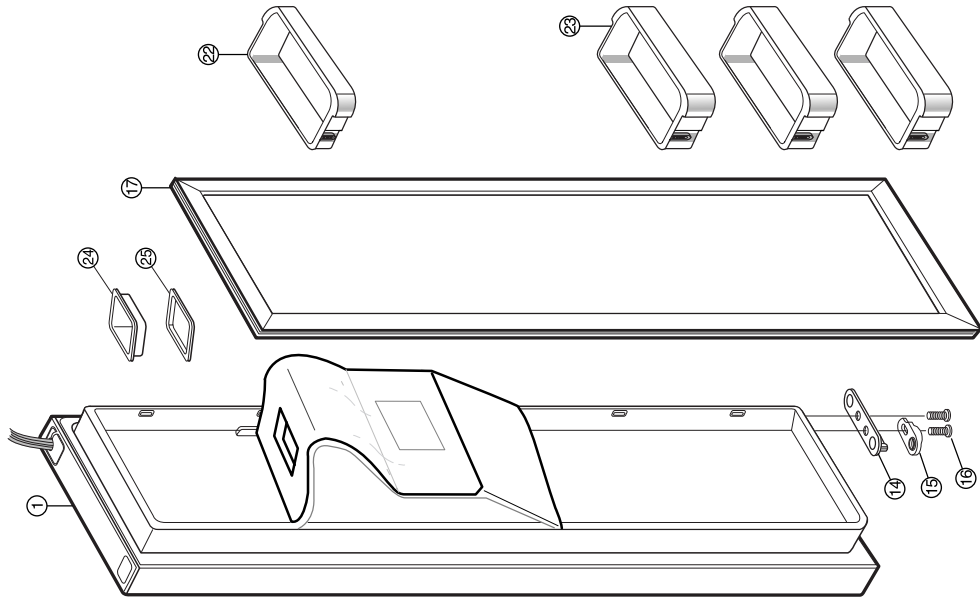
N°	Code	Désignation	Spécification	Quantité	Remarque
21-8		BLADE	STS420-J2, SR-S7180, T2.0	1	
21-9	REP 21 CPL	PIN-SPIRAL	STS420-J2,SR-S7180,T2.0	1	
21-10	REP 21 CPL	SEAL-POM	STS420-J2,SR-S7180,T2.0	2	
21-11	REP 21 CPL	BLADE	STS420-J2, SR-S7180, T2.0	1	
21-12	REP 21 CPL	BLADE	STS420-J2, SR-S7180, T2.0	1	
21-13	REP 21 CPL	NUT-HEX	HEX, POM	1	
21-14	REP 21 CPL	PLATE-FRONT,DISP	STS304,T1.0	1	
21-15	REP 21 CPL	COVER-CRUSHER,DISP	PC/ABS,SC-90417R	1	
21-16	REP 21 CPL	GUIDE-ICE,DISPENSER	PC/ABS	1	
21-17	DA61-20124A	SPRING-DISPENSER	STS304,PI1.0	1	
21-18	NON DELIVRER	PIN	STS304,OD2.4,L51.7,SR-S7180	1	
21-19	NON DELIVRER	RONDELLE PLATE	IC20,OD28,T0.5,STS	1	
21-20	NON DELIVRER	RING	SK-5H.SR-S7180	1	
21-21	NON DELIVRER	SCREW-MACHINE	TH,M4,L10,STS304	3	
21-22	DA66-00033A	BAC A GLACONS	W9540	1	
21-23	DA66-30138A	MANETTE DISTRIB GLACE	POM,W9236E,DELIN5	1	
21-24	NON DELIVRER	SEAL-EPDM	BUCKET DISP,EPDM	1	
21-25	NON DELIVRER	SCREW-TAPPING	TH,M4,L12,STS304	2	
21-26	DA66-30145A	MANETTE DISTRIB GLACONS	MSWR10,-,G-PJT,EPC3,DISPENSER	1	
21-27	DA61-20139A	RESSORT FABRIQUE GLCE	STS304,ID0.7,P15.9	1	
21-28	NON DELIVRER	REINF-ACTUATOR,DISP	SCP1,ZPC3	1	
21-29	NON DELIVRER	SCREW-TAPPING	TH,M4,L20,STS304	5	
21-30	DA63-00180A	COUVERCLE DE GLACE	HIPP	1	
21-31	DA63-00181A	COVER-ICE,BUCKET,B	GPPS W9540B	1	
22	DA61-00143C	BLOC MOTEUR AUGER	HIPS, ET-PJT	1	
24-1	DA67-00144B	CASE-MOTOR	HIPP, AUGER	1	
24-2	DA31-10141D	MOTEUR BROYEUR 230V 1.8A	ISG-320SSD, 230V/50Hz,1.8AUSD-	1	
24-3	DA74-40151F	ELECTRO AIMANT CPL	220V/240V 50/60HZ	1	
24-4	DA72-60348A	JOINT MOUSSE	SOLENOID, FOAM-PE	1	
24-5	DA66-90003A	PISTON NOYAU	POM, SC-93438R	1	
24-6	DA65-20107A	SUPPORT ELECTROAIMANT	NY-6, S7180	1	

N°	Code	Désignation	Spécification	Quantité	Remarque
24-7	NON DELIVRER	BUSH-SOLENOID	JOINT NON DELIVRER	commander	24-3
24-8	DA61-20140A	RESSORT ELECTROAIMANT	STS304, ID0.7, L30.1, P17.5	1	
24-9	NON DELIVRER	PIN-SPRING	STS304, L22, OD2.8, T0.35	1	
24-10	NON DELIVRER	PIN-SPRING	STS304, L16, OD2.8, T0.35	1	
24-11	DA61-60001A	ELECTRO-AIMANT SEUL	POM, WHT	1	
24-12	DA71-00163A	FIXATION D'ECROU	STS420-J2	1	
24-13	DA70-20017A	PLATE-D/AUGER, DISP	STS304	1	
24-14	NON DELIVRER	SCREW-SPECIAL	HEX, L8.3, STS-304	4	
24-15	NON DELIVRER	SCREW-SPECIAL	HEX, L8.3, STS-304	4	
24-16	DA47-40112V	SUPPORT LAMPE	UL-SPEC, PBT 5VA, E14	1	
24-17	NON DELIVRER	CABLAGE	EXP, ET-PJT	1	
24-18	NON DELIVRER	NUT	STS420-J2	1	

● Liste des pièces de la porte du réfrigérateur (, SRS2028C,SRS2088C)

N°	Code	Désignation	Spécification	Quantité	Remarque
1	DA69-20380A	FOAM-DOOR REF, ASSY	SS20WG1/XEF	1	SRS2028C
	DA69-20580A	FOAM-DOOR REF, ASSY	SS20WG2/XEF	1	SRS2088C
2		HANDLE-TRIM, UP	ABS, SC-97527T, S/WHITE	1	"D"-TYPE
3		TRIM-HANDLE. CONNECT, UP	ABS	1	"
4		HANDLE-TRIM, MID	ABS, SC-97527T, S/WHITE	1	"
5		TRIM-HANDLE. CONNECT, LOW	ABS	1	"
6		HANDLE-TRIM, LOW	ABS, SC-97527T, S/WHITE	1	"
7	NON DELIVRER	SCREW-TAPPING	FH, M4 x 14, STS304	13	
8		HANDLE-BASE, UP	HIPS	1	"D"-TYPE
9		HANDLE-BASE, LOW	HIPS	1	"
10		HANDLE	SC-97527T, S/WHITE	1	"
11		REINF-HANDLE, MID SCREW-	SBHG1, T1.4	1	
12		TAPPING	TH-1, M4 x 10, ZPC, SCRCH18A	3	
13		SCREW-TAPPING	PH-2S, M5 x L18, ZPC(YEL), MAWR	4	
14	DA71-00068A	BUTEE DE PORTE	SHP1, T3 BLK	1	
15	DA64-00122A	CAM-HINGE	POM, G4078B	1	
16	NON DELIVRER	SCREW-MACHINE	TH, M5 x 16, ZPC(YEL), SWRCH18A	2	
17	DA63-30232K	GASKET-DOOR REF, ASSY	SRS2028C / SRS2088C	1	
	DA63-00199A	COUVERCLE DE BALCONNET	GPPS, 50MM	1	SR-S2026, S2028,S20NTC,S20DTC
		COVER-GUARD	GPPS, 85MM	1	SR-S2226, S2228,S22NTC,S22DTC
19	DA63-00168A	GUARD-BOTTLE REF, UP	HIPP, 50MM	2	SR-S2026, S2028,S20NTC,S20DTC
		GUARD-BOTTLE REF, UP	HIPP, 85MM	2	SR-S2226, S2228,S22NTC,S22DTC
20	DA66-90112A	CAME DE CHARNIERE	PVC, L350, WHT	4	
21	DA71-00090A	GUIDE-BOUTEILLE REF	PP, T2.5	1	
22	DA63-00173A	PORTE BOUTEILLES SUP REF	HIPP, 50MM	2	SR-S2026, S2028,S20NTC,S20DTC
		GUARD-BOTTLE REF, LOW	HIPP, 85MM	2	SR-S2226, S2228,S22NTC,S22DTC
23	DA61-00108A	JOINT TORIQUE	SILICON, NTR	2	
24	DA64-00097B	SUPPORT POIGNEE HAUT	ABS, SC-97527R	1	"C"-TYPE
25	DA64-00099B	HABILLAGE POIGNEE BAS	ABS, SC-97527R	1	"
26	DA64-00100A	HABILLAGE POIGNEE HAUT	ABS, SC-97527R	1	"
27	DA64-00096B	SUPPORT POIGNEE MIL	ABS, SC-97527R	1	"
28		REINF-HANDLE, MID	SBHG1, T1.4	1	"
29	DA64-00095B	SUPPORT POIGNEE BAS	ABS, SC-97527R	1	"
30		REINF-HANDLE, LOW	SBHG1, T1.4	1	"
31	DA64-00098B	HABILLAGE POIGNEE MIL	ABS, SC-97527R	1	"
32	DA64-00196A	FIXATION HABILLAGE POIGNEE MI	ABS, Cr	2	"

14-8) Vue éclatée de la porte du congélateur (SR-S2028, S2029, S2228, S2229/S20DTC, S20FTC, S22DTC, S22FTC)



● Liste des pièces de la porte du congélateur (SR-S2028, S2088C, S2229)

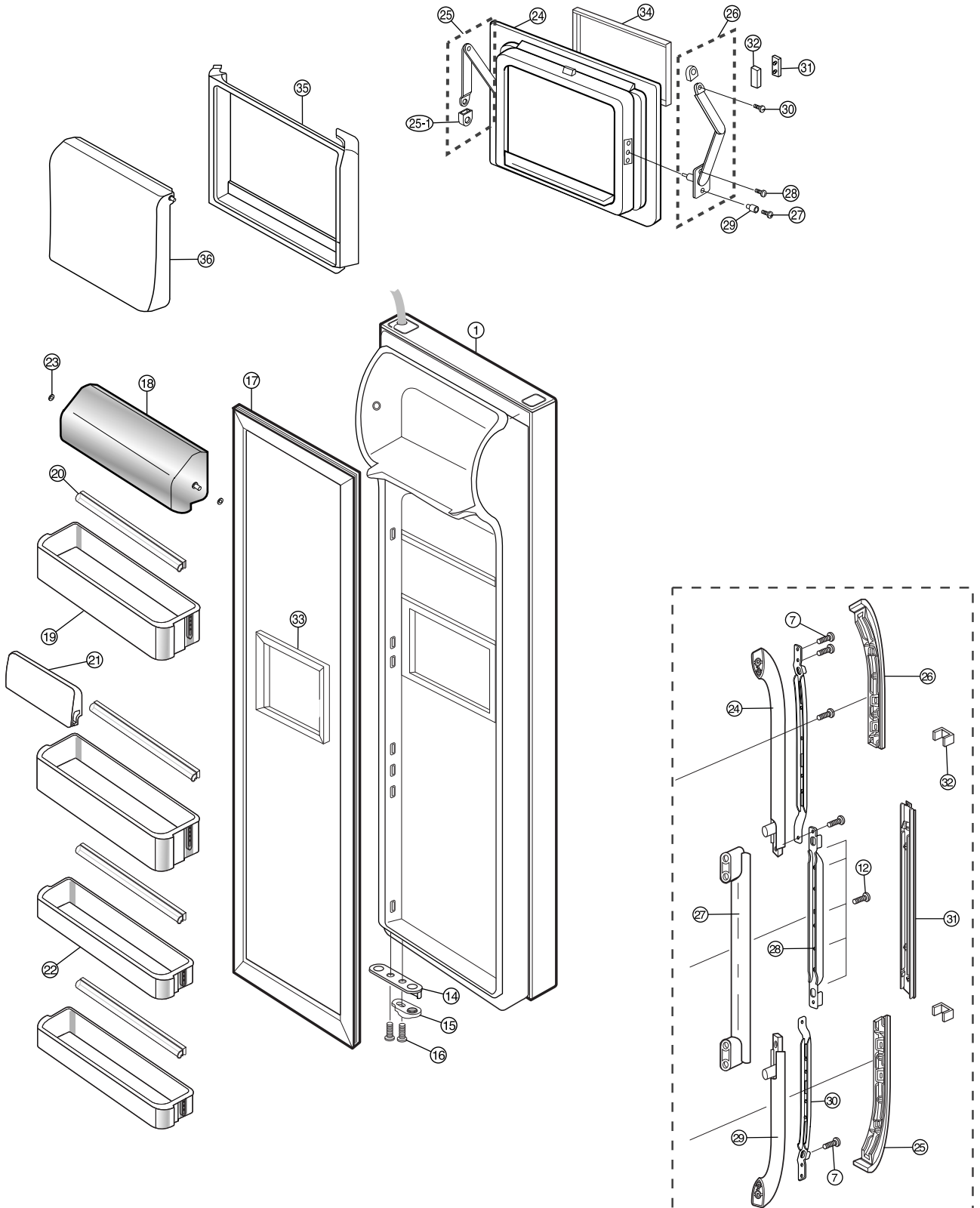
N°	Code	Désignation	Spécification	Quantité	Remarque
1	DA69-20380B	FOAM-DOOR FRE, ASSY	SS20WG1/XEF---SRS2028C	1	SR-S2028,S2029,S20DTC,S20FTC
	DA69-20580B	FOAM-DOOR FRE, ASSY	SS20WG2/XEF----SRS2088C	1	SR-S2228,S2229,S22DTC,S22FTC
2	DA63-00190A	FENETRE DE FACADE	ABS, SC-97527R		
		TRIM-HANDLE CONNECT, UP	ABS	1	"
		HANDLE-TRIM, MID	ABS, SC-97527R	1	"
		TRIM-HANDLE CONNECT, LOW	ABS	1	"
6		HANDLE-TRIM, LOW	ABS, SC-97527R	1	"
7		SCREW-TAPPING	FH-2, M4 x 14, STS304	13	
8		HANDLE-BASE, UP	HIPS	1	"D"-TYPE
9		HANDLE-BASE, LOW	HIPS	1	"
10		HANDLE	HIPS, SC-97527R	1	"
11		REINF-HANDLE, MID	SBHG1, T1.4	1	"
12		SCREW-TAPPING	TH-1, M4 x 10, ZPC, SWRCH18A	3	
13		SCREW-TAPPING	PH-2S, M5 x 18, ZPC(YEL)	4	
14	DA71-00068A	BUTEE DE PORTE	SHP1, T3, BLK	1	
15	DA66-90112A	CAME DE CHARNIERE	POM, G4078B	1	
16	NON DELIVRER	SCREW-MACHINE	TH, M5 x 16, ZPC(YEL), SWRCH18A	2	
17	DA63-30231G	JOINT PORTE CONGEL	SF-PVC, MAGNET-85g	1	
18	DA63-00191B	COUVERCLE PANNEAU CMMD A	ABS, SC-97527R	1	
2	DA63-00190A	COUVERCLE PANNEAU CMMDE B	GPPS, T2.5	1	
21	DA64-00089B	TOUCHE		1	
22	DA63-00213B	BALCONNET FRE-UPP	srs2028c/srs2029c/srs2088c	1	SR-S2028,S2029,S20DTC,S20FTC
	DA63-00214A	GUARD-BOTTLE FRE, UP	SRS2229C	1	SR-S2228,S2229,S22DTC,S22FTC
23	DA63-00169A	GUARD-BOTTLE FRE, LOW	HIPP, 50MM	3	SR-S2028,S2029,S20DTC,S20FTC
	DA63-00169A	GUARD-BOTTLE FRE, LOW	HIPP, 85MM	3	SR-S2228,S2229,S22DTC,S22FTC
24	DA67-00163B	CAP-CHUTE, ICE	ABS, WHT, 50MM	1	
	DA67-00162B	CAP-CHUTE, ICE	ABS, WHT, 85MM	1	
25	DA72-00262A	CUSHION-GUIDE ICE, SHUT	SILICON	1	
26	DA34-00011A	SWITCH-MICRO	VP533-OF-5, MICRO, 250V, 15A	2	
27	DA41-00020A	PLATINE FACADE CPL	T1.6, PANEL PCB ASSY	1	
		SUPT-TIME,DELAY	HIPS, K2007	1	
29	DA63-00188A	COVER-TRIM,RECESS	ABS, SC-97527,S/WHT	1	
30	DA63-00192A	COVER-PANEL PCB,REAR	PP, T2	1	
31	DA63-00410A	COVER-ICE ROUTE	SC-97527,S/WHT	1	
32	DA66-00037A	TRAY-DISPENSER	SC-97527,S/WHT	1	

Les pièces en rapport avec la sécurité électrique apparaissent en gris.

■ Liste des pièces du réfrigérateur (SR-S2028, SRS2229,SRS2088C)

N°	Code	Désignation	Spécification	Quantité	Remarque
33	DA61-00124A	SPRING-DISP ICE, LEVER	STS304, Ø7.2	1	
34	DA66-00035A	LEVER-DISPENSER, ICE	ABS, SC-97527R	1	
35	DA66-00036A	LEVER-DISP, SUB	SILICON,SC-98456R	2	
36	DA61-20124A	SPRING-LEVER DISP, WATER	STS304, Ø7.2	1	
37	DA66-00065B	LEVER-DISPENSER,WATER	ABS, SC-97527R	1	
38	DA71-00073A	STOPPER-LEVER	NY-66,T2.0	1	
		GUIDE-LEVER	ABS, SC-97527R,T2.0	1	
40	DA71-00278A	GUIDE-LEVER, SUB	SILICON,SC-97527	1	
41	DA61-60001A	VALVE-SOLENOID	CUBE-SN2,SR-S6586B,220-24	1	
42	DA61-70234A	SUPT-TIME DELAY	HIPS S/WHT	1	
43	3402-000165	SWITCH-DISPENSER	DECO 250VAC 6A	1	
44	DA34-00016A	WIRE-DISPENSER S/W		1	

14-9) Vue éclatée de la porte du réfrigérateur (,SRS2029, SRS2229C)



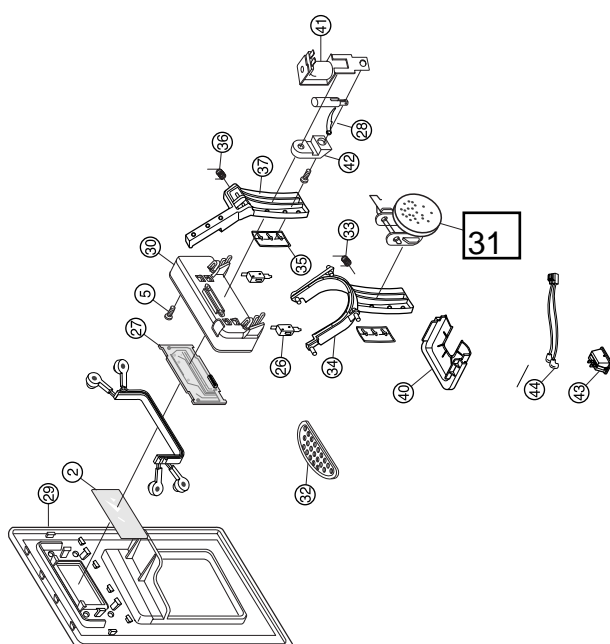
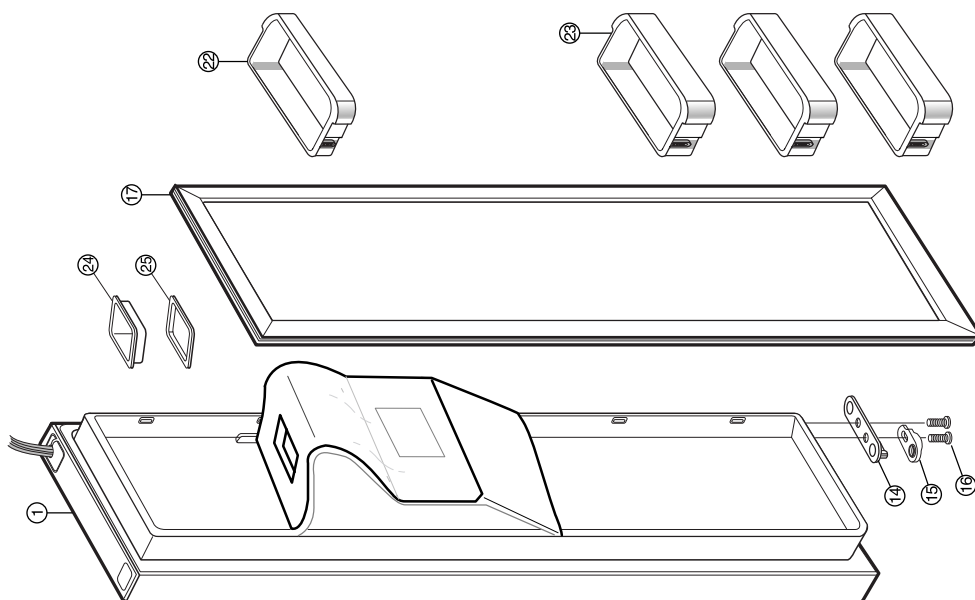
■ Liste des composants de la porte du réfrigérateur (SRS2029CVW SRS2229C)

N°	Code	Désignation	Spécification	Quantité	Remarque
1	DA69-20710B	PORTE REFRIGERATEUR CPL	SRS2029CVW SS20SH1/XEF	1	
	DA69-20480A	PORTE REFRIGERATEUR CPL	SRS2229C SS22WH1/XEF	1	
2	DA64-00100J	HABILLAGE POIGNEE HAUT	SRS2029CVW GRISE	1	"D"-TYPE
3	DA64-00196A	FIXATION POIGNEE BAGUE	ABS CHROME	2	"
31	DA64-00098E	HABILLAGE POIGNEE MILIEU	SRS2029CVW GRISE	1	"
5	DA64-00099E	HABILLAGE POIGNEE BAS	SRS2029CVW GRISE	1	"
24	DA64-00097E	SUPPORT POIGNEE HAUT	SRS2029CVW GRISE	1	"
7	NON DELIVRER	SCREW-TAPPING	FH, M4 x 14, STS304	13	
27	DA64-00096E	SUPPORT POIGNEE MILIEU	SRS2029CVW GRISE	1	"
9	DA64-00095E	SUPPORT POIGNEE BAS	SRS2029CVW GRISE	1	"
POUR LES POIGNEES DU SRS2229C VOIR SRS2028C					
12	NON DELIVRER	SCREW-TAPPING	TH-1, M4 x 10, ZPC, SCRCH18A	3	
14	DA71-00068A	STOPPER-DOOR	SHP1, T3 BLK	1	
15	DA64-00122A	CAM-HINGE	POM, G4078B	1	
16	NON DELIVRER	SCREW-MACHINE	TH, M5 x 16, ZPC(YEL), SWRCH18A	2	
17	DA63-30232K	GASKET-DOOR REF, ASSY	SF-PVC, MAGNET-85g	1	
18	DA63-00199A	COVER-GUARD	GPPS, 50MM	1	SR-S2027,S2029,S20BTC,S20FTC
	DA63-00176A	COVER-GUARD	GPPS, 85MM	1	SR-S2227,S2229,S22BTC,S22FTC
19	DA63-00168A	GUARD-BOTTLE REF, UP	HIPP, 50MM	2	SR-S2027,S2029,S20BTC,S20FTC
	DA63-00167A	GUARD-BOTTLE REF, UP	HIPP, 85MM	2	SR-S2227,S2229,S22BTC,S22FTC
20	DA66-90112A	TRIM-GUARD	PVC, L350, WHT	4	
21	DA71-00090A	GUIDE-BOTTLE, REF	PP, T2.5	1	
	DA63-00173A	GUARD-BOTTLE REF, LOW	HIPP, 50MM	2	SR-S2027,S2029,S20BTC,S20FTC
22	DA63-00172A	GUARD-BOTTLE REF, LOW	HIPP, 85MM	2	SR-S2227,S2229,S22BTC,S22FTC
23	DA61-00108A	SUPPORT-O, RING	SILICON, NTR	2	

Les composants ayant trait à la sécurité électrique apparaissent en gris.

N°	Code	Désignation	Spécification	Quantité	Remarque
24	DA67-00301A	PORTE BAR CPL	SRS2229CVW /SRS24FTC	1	
25	DA66-00099A	CHARNIERE DROITE CPL		1	
24	DA67-00301M	PORTE BAR CPL	SRS2029CVW GRIS	1	
26	DA66-00098A	CHARNIERE GAUCHE CPL		1	
27	NON DELIVRER	SCREW-SPECIAL,B	STS M7	2	
28	DA60-10110B	SCREW-SPECIAL,C	STS M7	2	
29	DA71-40138A	BUTEE DE MINAR BAR	NY-66	2	
30	NON DELIVRER	SCREW-SPECLAL, A	STS M7	2	
31	DA34-10121B	SWITCH-DOOR	250V 0.5A	1	
32	NON DELIVRER	COVER-S/W(HOME BAR)	ABS	1	
33	DA63-00224A	JOINT EXTERIEUR MINI BAR	SF-PVC WHITE	1	
34	DA63-00225A	JOINT IEXTERIEUR MINI BAR	"	1	
35	DA63-00222A	COVER-DOOR RECESS, OUT	GPPS CRISTAL	1	
36	DA63-00223A	COVER-DOOR RECESS,IN	"	1	

14-8) Vue éclatée de la porte du congélateur SRS2029CSS SRS2229CVW



● Liste des pièces de la porte du congélateur (SRS2029CSS SRS2229CVW)

N°	Code	Désignation	Spécification	Quantité	Remarque
1	DA69-20710A	FOAM-DOOR FRE, ASSY	SRS2029CSS SS20SG1/XEF	1	SR-S2028,S2029,S20DTC,S20FFC
	DA69-20480B	FOAM-DOOR FRE, ASSY	SRS2229CVW SS22WH1/XEF	1	SR-S2228,S2229,S22DTC,S22FFC
2	DA63-00190A	FENETRE DE FACADE	ABS, SC-97527R		
		TRIM-HANDLE CONNECT, UP	ABS	1	"
		HANDLE-TRIM, MID	ABS, SC-97527R	1	"
		TRIM-HANDLE CONNECT, LOW	ABS	1	"
6		HANDLE-TRIM, LOW	ABS, SC-97527R	1	"
7		SCREW-TAPPING	FH-2, M4 x 14, STS304	13	
8		HANDLE-BASE, UP	HIPS	1	"D"-TYPE
9		HANDLE-BASE, LOW	HIPS	1	"
10		HANDLE	HIPS, SC-97527R	1	"
11		REINF-HANDLE, MID	SBHG1, T1.4	1	"
12		SCREW-TAPPING	TH-1, M4 x 10, ZPC, SWRCH18A	3	
13		SCREW-TAPPING	PH-2S, M5 x 18, ZPC(YEL)	4	
14	DA71-00068A	BUTEE DE PORTE	SHP1, T3, BLK	1	
15	DA66-90112A	CAME DE CHARNIERE	POM, G4078B	1	
16	NON DELIVRER	SCREW-MACHINE	TH, M5 x 16, ZPC(YEL), SWRCH18A	2	
17	DA63-30231G	JOINT PORTE CONGEL	SF-PVC, MAGNET-85g	1	
18	DA63-00191B	COUVERCLE PANNEAU CMMD A	ABS, SC-97527R	1	
2	DA63-00190A	COUVERCLE PANNEAU CMMDE B	GPPS, T2.5	1	
21	DA64-00089B	TOUCHE		1	
22	DA63-00213B	BALCONNET FRE-UPP	srs2028c/srs2029c/srs2088c	1	SR-S2028,S2029,S20DTC,S20FFC
	DA63-00214A	GUARD-BOTTLE FRE, UP	SRS2229C	1	SR-S2228,S2229,S22DTC,S22FFC
23	DA63-00169A	GUARD-BOTTLE FRE, LOW	HIPP, 50MM	3	SR-S2028,S2029,S20DTC,S20FFC
	DA63-00169A	GUARD-BOTTLE FRE, LOW	HIPP, 85MM	3	SR-S2228,S2229,S22DTC,S22FFC
24	DA67-00163B	CAP-CHUTE, ICE	ABS, WHT, 50MM	1	
	DA67-00162B	CAP-CHUTE, ICE	ABS, WHT, 85MM	1	
25	DA72-00262A	CUSHION-GUIDE ICE, SHUT	SILICON	1	
26	DA34-00011A	SWITCH-MICRO	VP533-OF-5, MICRO, 250V, 15A	2	
27	DA41-00020A	PLATINE FACADE CPL	T1.6, PANEL PCB ASSY	1	
		SUPT-TIME,DELAY	HIPS, K2007	1	
29	DA63-00188G	ENJOLIVEUR DE FACADE	SRS2029CCS GRIS	1	
30	DA63-00192A	COVER-PANEL PCB,REAR	PP, T2	1	
31	DA63-00410A	COVER-ICE ROUTE	SC-97527,S/WHT	1	
32	DA66-00037A	TRAY-DISPENSER	SC-97527,S/WHT	1	

Les pièces en rapport avec la sécurité électrique apparaissent en gris.

■ Liste des pièces du congélateur (SR-S2029, SRS2229,)

N°	Code	Désignation	Spécification	Quantité	Remarque
33	DA61-00124A	SPRING-DISP ICE, LEVER	STS304, Ø7.2	1	
34	DA66-00035A	LEVER-DISPENSER, ICE	ABS, SC-97527R	1	
35	DA66-00036A	LEVER-DISP, SUB	SILICON,SC-98456R	2	
36	DA61-20124A	SPRING-LEVER DISP, WATER	STS304, Ø7.2	1	
37	DA66-00065B	LEVER-DISPENSER,WATER	ABS, SC-97527R	1	
38	DA71-00073A	STOPPER-LEVER	NY-66,T2.0	1	
		GUIDE-LEVER	ABS, SC-97527R,T2.0	1	
40	DA71-00278A	GUIDE-LEVER, SUB	SILICON,SC-97527	1	
41	DA61-60001A	VALVE-SOLENOID	CUBE-SN2,SR-S6586B,220-24	1	
42	DA61-70234A	SUPT-TIME DELAY	HIPS S/WHT	1	
43	3402-000165	SWITCH-DISPENSER	DECO 250VAC 6A	1	
44	DA34-00016A	WIRE-DISPENSER S/W		1	