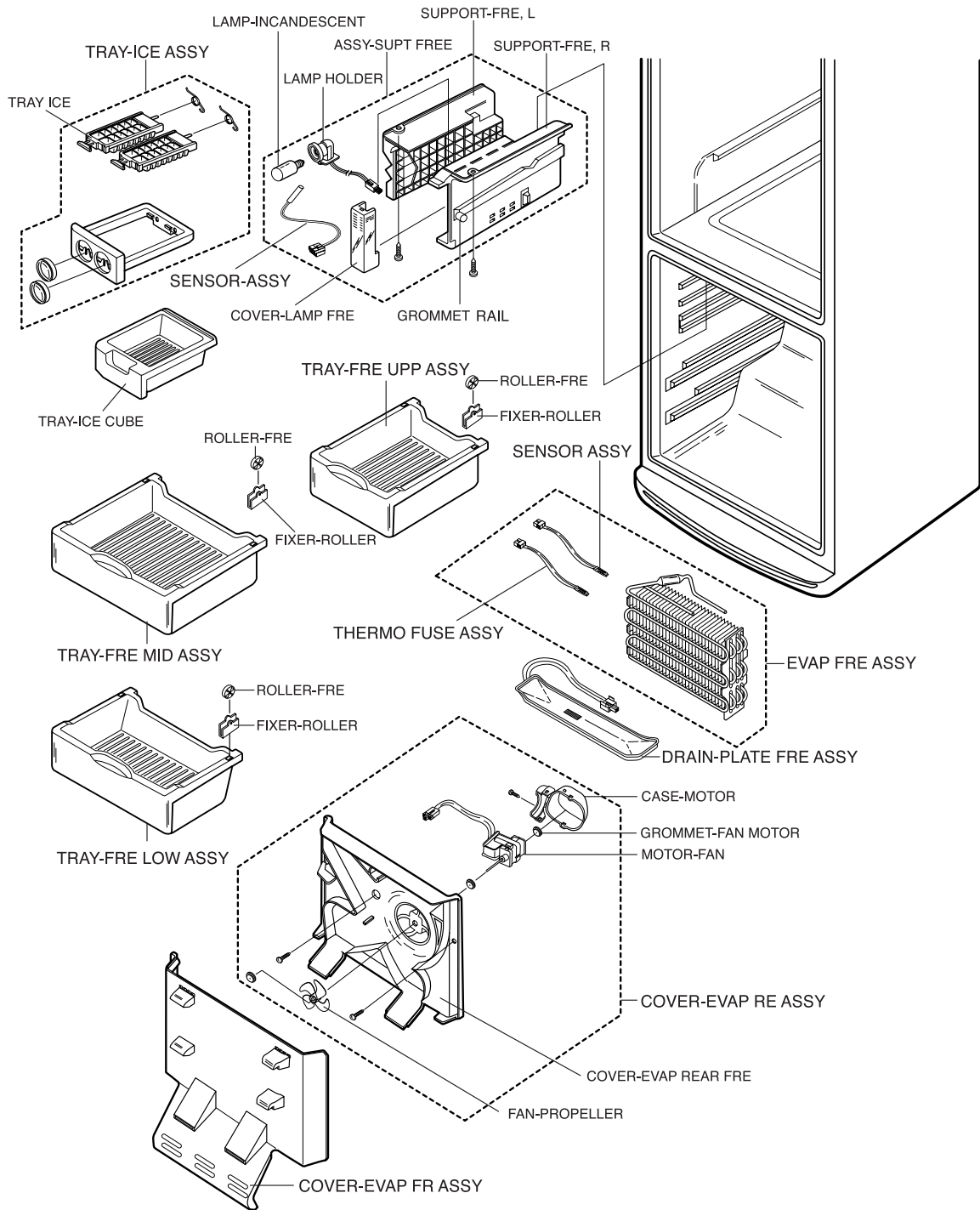


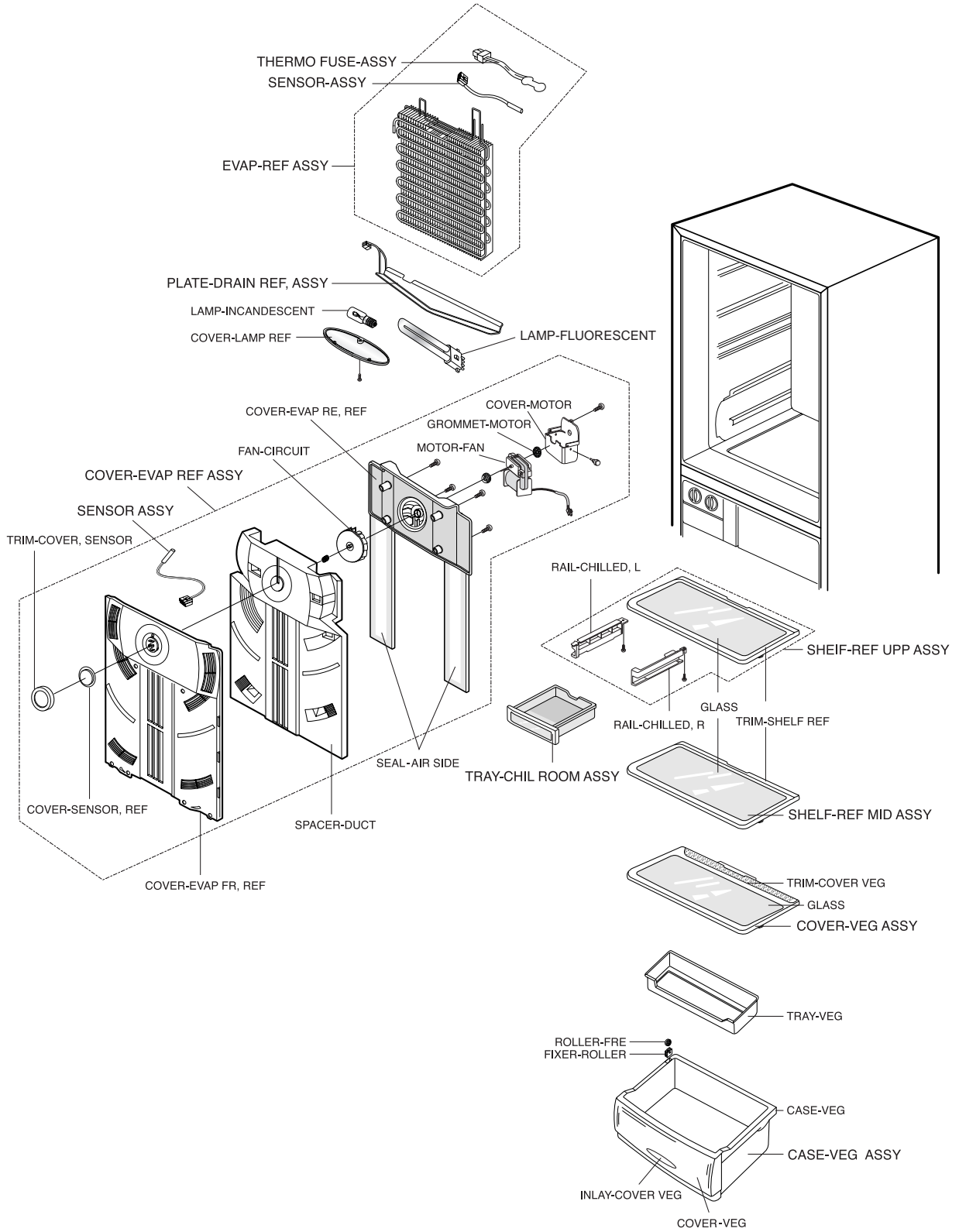
# 9. Exploded View

## 9-1. Freezer room



NO	CODE-NO	PART NAME	OPTION				SPEC
			SR-L627	SR-L629	SR-L677	SR-L679	
1	DA67-40203N	TRAY-ICE,ASSY	●	●	●	●	
2	DA67-40182A	TRAY ICE	●	●	●	●	
3	DA63-00946A	TRAY-FRE UPP,ASSY	●	●			
	DA63-00946B	TRAY-FRE UPP,ASSY			●	●	
4	DA63-00947A	TRAY-FRE MID,ASSY	●	●			
	DA63-00947B	TRAY-FRE MID,ASSY			●	●	
5	DA63-00948A	TRAY-FRE LOW,ASSY	●	●			
	DA63-00948B	TRAY-FRE LOW,ASSY			●	●	
6	DA66-10104A	ROLLER FRE	●	●	●	●	
7	DA71-20145A	FIXER ROLLER	●	●	●	●	
8	DA63-00904A	TRAY ICE CUBE	●	●			
	DA63-00922A	TRAY ICE CUBE			●	●	
9	DA97-00181A	COVER EVAP FR(FRE),ASSY	●	●	●	●	
10	DA97-00192C	EVAP-FRE ASSY	●	●	●	●	240V
	DA97-00192D	EVAP-FRE ASSY	●	●	●	●	220V
	DA97-00192E	EVAP-FRE ASSY	●	●	●	●	127V
	DA97-00192F	EVAP-FRE ASSY	●	●	●	●	115V
11	DA47-00095E	ASS'Y-FUSE THERMO(77°C)	●	●	●	●	EVAP FRE.250V
12	DA32-00006C	SENSOR ASSY			●	●	EVAP FRE
13	DA97-00122A	ASSY SUPT-FREE	●	●			230V
	DA97-00122B	ASSY SUPT-FREE			●	●	230V
	DA97-00122C	ASSY SUPT-FREE	●	●			110-130V
	DA97-00122D	ASSY SUPT-FREE			●	●	110-130V
14	DA61-70114B	SUPPORT-FREE,L	●	●	●	●	
15	DA61-70115C	SUPPORT-FREE,R	●	●	●	●	
16	DA63-40006A	GROMMET RAIL	●	●	●	●	ASSY SUPT-FREE
17	DA63-00924A	COVER-LAMP,FRE	●	●			
	DA63-00923A	COVER-LAMP,FRE			●	●	
18	DA47-40112N	LAMP HOLDER	●	●	●	●	
19	DA31-10105A	SENSOR ASSY	●	●	●	●	ASSY SUPT FREE
20	4713-000213	LAMP-INCANDESCENT	●	●	●	●	230V,15W
	4713-001035	LAMP-INCANDESCENT	●	●	●	●	110-130V/15W
21	DA63-00941A	COVER-EVAP RE(FRE),ASSY	●	●	●	●	240V
	DA97-00390A	COVER-EVAP RE(FRE),ASSY	●	●	●	●	220V
	DA97-00390B	COVER-EVAP RE(FRE),ASSY	●	●	●	●	115V
	DA97-00390C	COVER-EVAP RE(FRE),ASSY	●	●	●	●	127V
22	DA63-00903A	COVER-EVAP REAR	●	●	●	●	
23	DA61-00081A	CASE-MOTOR	●	●	●	●	
24	DA31-00019A	FAN-PROPELLER	●	●	●	●	
25	DA31-00002P	MOTOR-FAN	●	●	●	●	240V,50HZ
	DA31-00002W	MOTOR-FAN	●	●	●	●	220V,50,60HZ
	DA31-00002X	MOTOR-FAN	●	●	●	●	127V,60HZ
	DA31-00002V	MOTOR-FAN	●	●	●	●	115V,60HZ
26	DA97-00195B	DRAIN PLATE FRE ASSY	●	●	●	●	240V/52W
	DA97-00195C	DRAIN PLATE FRE ASSY	●	●	●	●	127V/52W
	DA97-00195D	DRAIN PLATE FRE ASSY	●	●	●	●	115V/52W
	DA97-00195E	DRAIN PLATE FRE ASSY	●	●	●	●	220V/52W

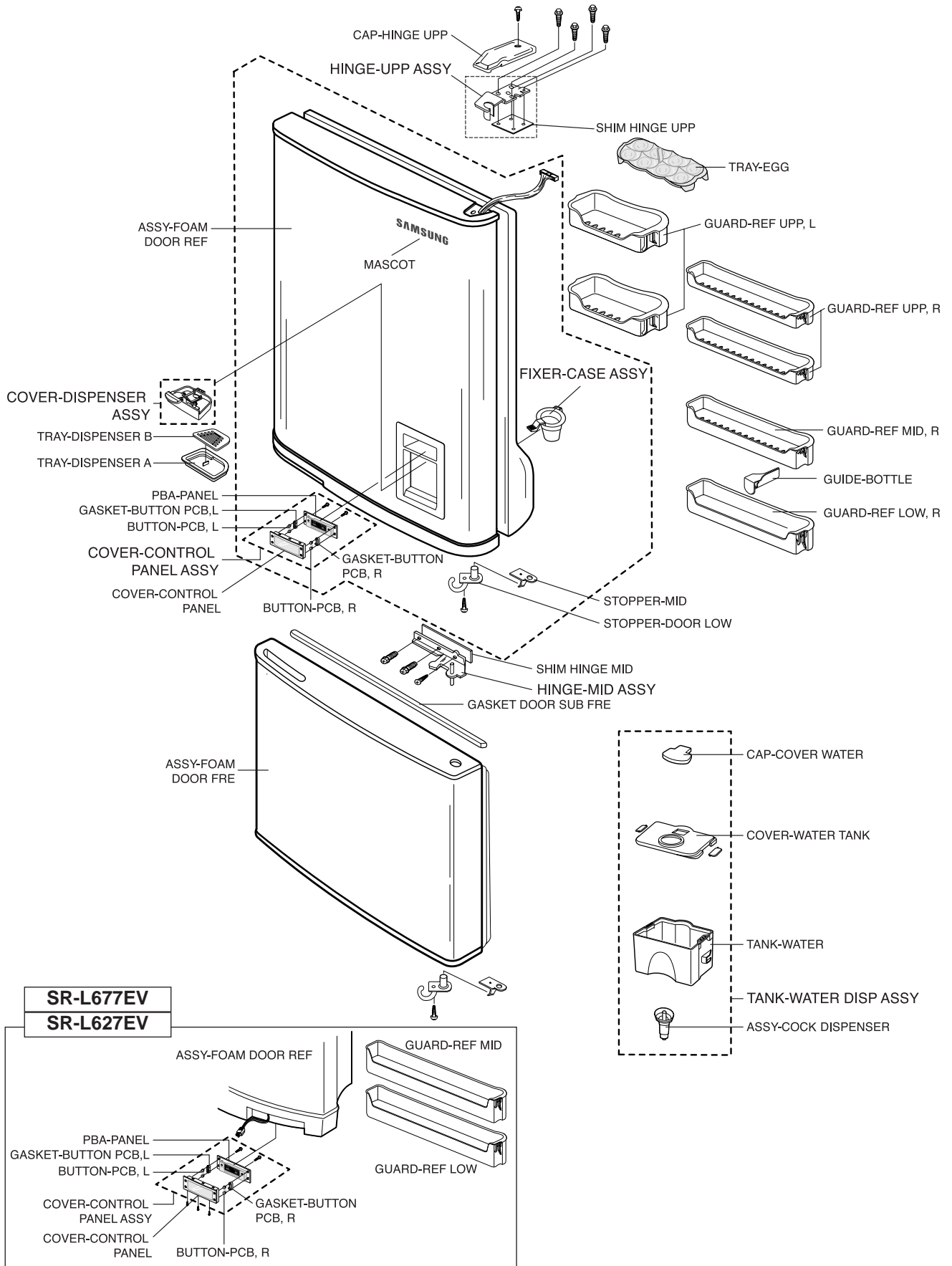
## 9-2. Refrigeration room



NO	CODE-NO	PART NAME	OPTION				SPEC
			SR-L627	SR-L629	SR-L677	SR-L679	
1	DA97-00104A	CASE-VEG,ASSY	●	●			
	DA97-00184A	CASE-VEG,ASSY			●	●	
2	DA67-10225A	CASE-VEG	●	●			
	DA67-10229A	CASE-VEG			●	●	
3	DA63-10359B	COVER-VEG	●	●	●	●	
4	DA66-10104A	ROLLER FRE	●	●	●	●	
5	DA71-20145A	FIXER ROLLER	●	●	●	●	
6	DA68-50153H	INLAY-COVER VEG	●	●	●	●	
7	DA63-00936A	COVER-VEG ASS'Y	●	●			
	DA63-00936B	COVER-VEG ASS'Y			●	●	
8	DA64-00449A	TRIM-COVER,VEG	●	●			
	DA64-00448A	TRIM-COVER,VEG			●	●	
9	DA67-00505D	SHELF GLASS	●	●			COVER VEG
	DA67-00505E	SHELF GLASS			●	●	COVER VEG
10	DA67-00550A	SHELF REF-MID,ASSY	●	●			
	DA67-00550B	SHELF REF-MID,ASSY			●	●	
11	DA67-00550C	SHELF REF-UPP,ASSY	●	●			
	DA67-00550D	SHELF REF-UPP,ASSY			●	●	
12	DA64-00450A	TRIM-SHELF REF	●	●			SHELF(MID/UPP)
	DA64-00451A	TRIM-SHELF REF			●	●	SHELF(MID/UPP)
13	DA67-00505B	SHELF GLASS	●	●			SHELF(MID/UPP)
	DA67-00505C	SHELF GLASS			●	●	SHELF(MID/UPP)
14	DA61-00368A	RAIL-CHILLED,L	●	●			SHELF-UPP
	DA61-00367A	RAIL-CHILLED,L			●	●	SHELF-UPP
15	DA61-00370A	RAIL-CHILLED,R	●	●			SHELF-UPP
	DA61-00369A	RAIL-CHILLED,R			●	●	SHELF-UPP
16	DA67-40194A	TRAY-VEG	●	●	●	●	
17	DA97-00296A	TRAY CHIL ROOM-ASSY	●	●			
	DA63-00945B	TRAY CHIL ROOM-ASSY			●	●	
18	DA63-00925A	COVER-LAMP REF	●	●	●	●	
19	4713-001147	LAMP-INCANDESCENT	●	●	●	●	230V, 25W
	4713-001145	LAMP-INCANDESCENT	●	●	●	●	130V, 30W
	4713-000175	LAMP-FLUORESCENT	●	●	●	●	ALL
20	DA59-00243A	EVAP-REF ASSY	●	●	●	●	240V, 120W
	DA96-00017A	EVAP-REF ASSY	●	●	●	●	220V, 120W
	DA96-00017B	EVAP-REF ASSY	●	●	●	●	127V, 120W
	DA96-00017C	EVAP-REF ASSY	●	●	●	●	115V, 120W
21	DA32-10105G	SENSOR ASSY	●	●	●	●	EVAP-REF
22	DA47-00095D	ASSY-FUSE THERMO(R)(77°C)	●	●	●	●	EVAP-REF, 250V
23	DA97-00495A	COVER-EVAP REF ASSY	●	●	●	●	230-240V, 50Hz
	DA97-00495B	COVER-EVAP REF ASSY	●	●	●	●	220V, 50-60Hz
	DA97-00495C	COVER-EVAP REF ASSY	●	●	●	●	115-127V, 60Hz
24	DA63-00933A	COVER-EVAP FR REF	●	●	●	●	
25	DA63-00932A	COVER-EVAP RE REF	●	●	●	●	
26	DA63-00183A	COVER-MOTOR	●	●	●	●	
27	DA31-00016A	FAN-CIRCUIT	●	●	●	●	
28	DA63-00934A	COVER-SENSOR REF	●	●	●	●	

NO	CODE-NO	PART NAME	OPTION				SPEC
			SR-L627	SR-L629	SR-L677	SR-L679	
29	DA64-00452A	TRIM-COVER SENSOR	●	●	●	●	
30	DA60-00033A	SPACER-DUCT	●	●	●	●	220V-240/50Hz
31	DA31-00003L	MOTOR-FAN	●	●	●	●	220V/50-60Hz
	DA31-00003P	MOTOR-FAN	●	●	●	●	115V-127/60Hz
	DA31-00003N	MOTOR-FAN	●	●	●	●	
32	DA63-00771A	GROMMET-MOTOR	●	●	●	●	
33	DA32-10109H	SENSOR ASSY	●	●	●	●	COVER EVAP
34	DA62-00106A	SEAL-COVER EVAP RE	●	●	●	●	
35	DA62-00109A	SEAL AIR SIDE	●	●	●	●	
36	DA70-00402A	PLATE-DRAIN REF ASSY	●	●	●	●	240V/38W
	DA97-00441A	PLATE-DRAIN REF ASSY	●	●	●	●	127V/38W
	DA97-00441B	PLATE-DRAIN REF ASSY	●	●	●	●	115V/38W
	DA97-00441C	PLATE-DRAIN REF ASSY	●	●	●	●	220V/38W

# 9-3. Door parts

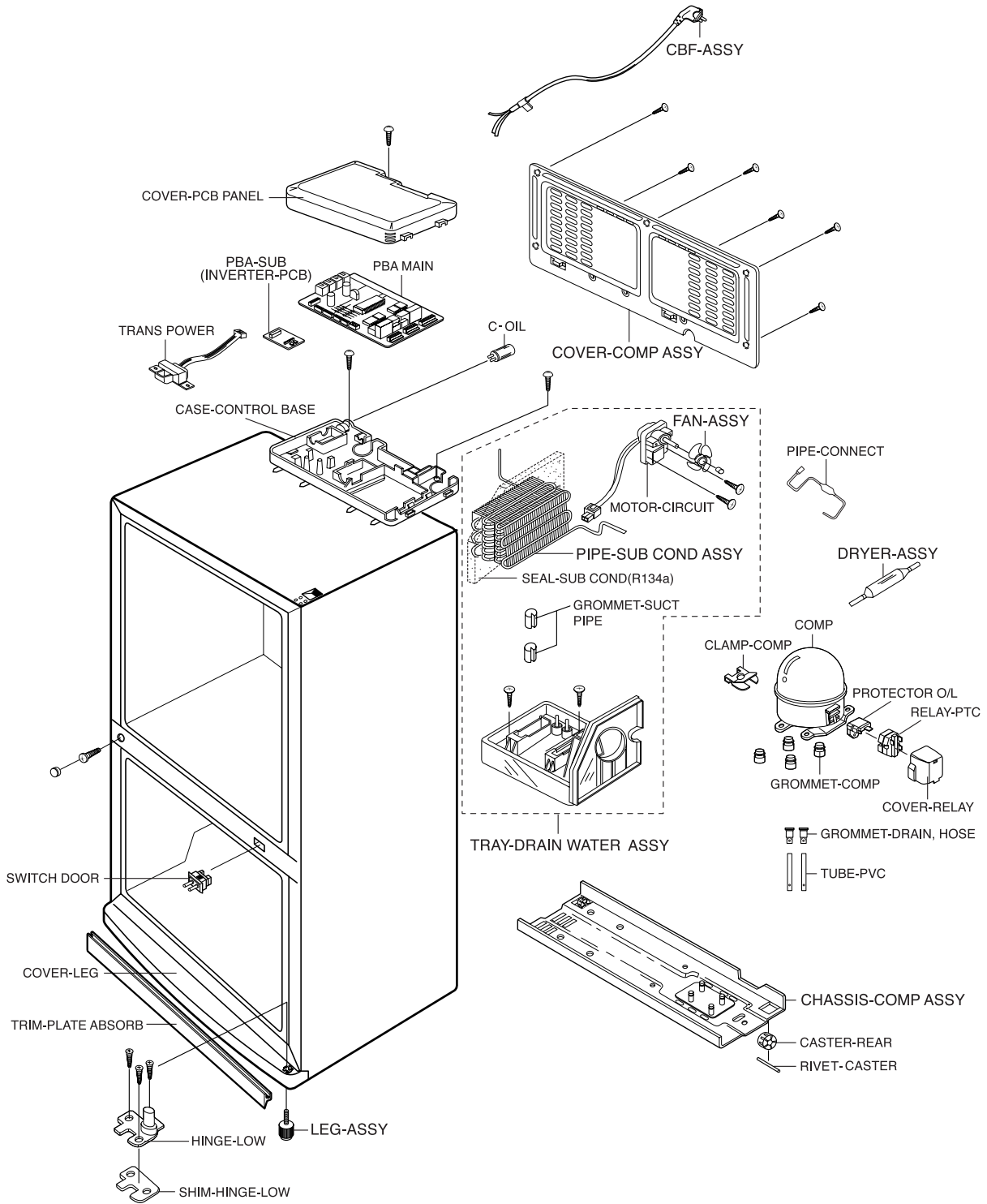


NO	CODE-NO	PART NAME	OPTION				SPEC
			SR-L627	SR-L629	SR-L677	SR-L679	
1	DA91-01467A	ASSY FOAM-DOOR REF		●		●	SW(COOL TECH)
	DA91-01467B	ASSY FOAM-DOOR REF		●		●	SW(Cool n'cool)
	DA91-01467C	ASSY FOAM-DOOR REF		●		●	M/G(COOL TECH)
	DA91-01467D	ASSY FOAM-DOOR REF		●		●	M/G(Cool n'cool)
	DA91-01467E	ASSY FOAM-DOOR REF		●		●	NB(COOL TECH)
	DA91-01467F	ASSY FOAM-DOOR REF		●		●	NB(Cool n'cool)
	DA91-01467G	ASSY FOAM-DOOR REF		●		●	NS(COOL TECH)
	DA91-01467H	ASSY FOAM-DOOR REF		●		●	NS(Cool n'cool)
	DA91-01466A	ASSY FOAM-DOOR REF	●		●		SW(COOL TECH)
	DA91-01466B	ASSY FOAM-DOOR REF	●		●		SW(Cool n'cool)
	DA91-01466C	ASSY FOAM-DOOR REF	●		●		M/G(COOL TECH)
	DA91-01466D	ASSY FOAM-DOOR REF	●		●		M/G(Cool n'cool)
	DA91-01466E	ASSY FOAM-DOOR REF	●		●		NB(COOL TECH)
	DA91-01466F	ASSY FOAM-DOOR REF	●		●		NB(Cool n'cool)
	DA91-01466G	ASSY FOAM-DOOR REF	●		●		NS(COOL TECH)
	DA91-01466H	ASSY FOAM-DOOR REF	●		●		NS(Cool n'cool)
2	DA64-00166A	MASCOT	●	●	●	●	SAMSUNG
3	DA71-40135A	STOPPER-MID	●	●	●	●	
4	DA71-40183C	STOPPER DOOR-LOW	●	●	●	●	
5	DA91-01468A	ASSY FOAM-DOOR FRE	●	●	●	●	SNOW WHITH
	DA91-01468B	ASSY FOAM-DOOR FRE	●	●	●	●	SNOW WHITE
	DA91-01468C	ASSY FOAM-DOOR FRE	●	●	●	●	METAL GRAY
	DA91-01468D	ASSY FOAM-DOOR FRE	●	●	●	●	METAL GRAY
	DA91-01468E	ASSY FOAM-DOOR FRE	●	●	●	●	NOBLE BEIGE
	DA91-01468F	ASSY FOAM-DOOR FRE	●	●	●	●	NOBLE BEIGE
	DA91-01468G	ASSY FOAM-DOOR FRE	●	●	●	●	NOBLE STAIN
	DA91-01468H	ASSY FOAM-DOOR FRE	●	●	●	●	NOBLE STAIN
6	DA63-01052A	GASKET-DOOR SUB FRE	●	●	●	●	
7	DA63-00926B	GUARD-REF UPP, L	●	●	●	●	
8	DA63-00927A	GUARD-REF UPP, R	●	●	●	●	
9	DA63-00929A	GUARD-REF MID, R		●		●	
10	DA63-00928A	GUARD-REF MID	●		●		
11	DA63-00930A	GUARD-REF LOW, R		●		●	
12	DA63-00931A	GUARD-REF LOW	●		●		
13	DA66-00058A	TRAY-EGG	●	●	●	●	
14	DA61-00365A	GUIDE-BOTTLE	●	●	●	●	
15	DA61-00378A	HINGE-UPP,ASSY	●	●	●	●	
16	DA61-00361A	HINGE-UPP	●	●	●	●	
17	DA63-50145A	SHIM-HINGE UPP	●	●	●	●	
18	DA67-00546A	CAP-HINGE UPP	●	●	●	●	SNOW WHITH
	DA67-00546B	CAP-HINGE UPP	●	●	●	●	METAL GRAY
	DA67-00546C	CAP-HINGE UPP	●	●	●	●	NOBLE BEIGE
	DA67-00546D	CAP-HINGE UPP	●	●	●	●	NOBLE STAIN
19	DA61-10153E	HINGE-MID,ASSY	●	●	●	●	
20	DA61-10142C	HINGE-MID	●	●	●	●	
21	DA63-50139C	SHIM-HINGE MID	●	●	●	●	
22	DA63-00943A	COVER-CONTROL PANEL,ASSY		●		●	SNOW WHITE
	DA97-00353A	COVER-CONTROL PANEL,ASSY		●		●	METAL GRAY
	DA97-00353B	COVER-CONTROL PANEL,ASSY		●		●	NOBLE BEIGE
	DA97-00353C	COVER-CONTROL PANEL,ASSY		●		●	NOBLE STAIN

NO	CODE-NO	PART NAME	OPTION				SPEC
			SR-L627	SR-L629	SR-L677	SR-L679	
23	DA63-01046A	COVER-CONTROL PANEL		●		●	SNOW WHITH
	DA63-01046B	COVER-CONTROL PANEL		●		●	METAL GRAY
	DA63-01046C	COVER-CONTROL PANEL		●		●	NOBLE BEIGE
	DA63-01046D	COVER-CONTROL PANEL		●		●	NOBLE STAIN
24	DA64-00444A	BUTTON-PCB, L, SILVER	●	●	●	●	SILVER
	DA64-00444B	BUTTON-PCB, L, GOLD	●	●	●	●	GOLD
25	DA64-00445A	BUTTON-PCB, R, SILVER	●	●	●	●	SILVER
	DA64-00445B	BUTTON-PCB, R, GOLD	●	●	●	●	GOLD
26	DA63-00915A	GASKET BUTTON PCB, L	●	●	●	●	
27	DA63-00916A	GASKET BUTTON PCB, R	●	●	●	●	
28	DA41-00102A	PANEL-PCB	●	●	●	●	
29	DA63-00942A	COVER-CONTROL PANEL,ASSY	●		●		SNOW WHITH
	DA63-00352A	COVER-CONTROL PANEL,ASSY	●		●		METAL GRAY
	DA63-00352B	COVER-CONTROL PANEL,ASSY	●		●		NOBLE BEIGE
	DA63-00352C	COVER-CONTROL PANEL,ASSY	●		●		NOBLE STAIN
30	DA63-00909A	COVER-CONTROL PANEL	●		●		SNOW WHITH
	DA63-00909B	COVER-CONTROL PANEL	●		●		METAL GRAY
	DA63-00909C	COVER-CONTROL PANEL	●		●		NOBLE BEIGE
	DA63-00909D	COVER-CONTROL PANEL	●		●		NOBLE STAIN
31	DA64-00444A	BUTTON-PCB, L	●	●	●	●	SILVER
	DA64-00444B	BUTTON-PCB, L	●	●	●	●	GOLD
32	DA64-00445A	BUTTON-PCB, R	●	●	●	●	SILVER
	DA64-00445B	BUTTON-PCB, R	●	●	●	●	GOLD
33	DA63-00915A	GASKET BUTTON PCB, L	●	●	●	●	
34	DA63-00916A	GASKET BUTTON PCB, R	●	●	●	●	
35	DA41-00102A	PANEL-PCB	●	●	●	●	
36	DA97-00193A	COVER-DISPENSER ASSY		●		●	SNOW WHITH
	DA97-00193B	COVER-DISPENSER ASSY		●		●	METAL GRAY
	DA97-00193C	COVER-DISPENSER ASSY		●		●	NOBLE BEIGE
	DA97-00193D	COVER-DISPENSER ASSY		●		●	NOBLE STAIN
37	DA63-00906B	TRAY-DISPENSER A		●		●	SNOW WHITH
	DA63-00906C	TRAY-DISPENSER A		●		●	METAL GRAY
	DA63-00906D	TRAY-DISPENSER A		●		●	NOBLE BEIGE
	DA63-00906E	TRAY-DISPENSER A		●		●	NOBLE STAIN
38	DA63-00905B	TRAY-DISPENSER B		●		●	SNOW WHITH
	DA63-00905C	TRAY-DISPENSER B		●		●	METAL GRAY
	DA63-00905D	TRAY-DISPENSER B		●		●	NOBLE BEIGE
	DA63-00905E	TRAY-DISPENSER B		●		●	NOBLE STAIN
39	DA97-00216A	ASSY TANK-WATER		●		●	
40	DA67-30216A	CAP-COVER WATER		●		●	
41	DA63-00902A	COVER-WATER TANK		●		●	
42	DA67-00545A	TANK-WATER		●		●	
43	DA97-00217A	ASSY-COCK DISP		●		●	
44	DA71-20155B	FIXER-CASE ASSY		●		●	



# 9-4. Cabinet parts & unit



NO	CODE-NO	PART NAME	OPTION				SPEC
			SR-L627	SR-L629	SR-L677	SR-L679	
1	DA60-90124A	REKET-CASTER	●	●	●	●	
2	DA61-40101C	CASTER REAR	●	●	●	●	
3	DA61-00178A	LEG-ASSY	●	●	●	●	
4	DA61-10145D	HINGE-LOW	●	●	●	●	
5	DA64-20138B	TRIM-PLATE, ABSORB	●	●	●	●	
6	DA63-50146A	SHIM-HINGE, LOW	●	●	●	●	
7	DA63-10262F	COVER-LEG	●	●	●	●	SNOW WHITH
	DA63-10262A	COVER-LEG	●	●	●	●	METAL GRAY
	DA63-10262B	COVER-LEG	●	●	●	●	NOBLE BEIGE
	DA63-10262N	COVER-LEG	●	●	●	●	NOBLE STAIN
8	DA34-00024A	SWITCH DOOR	●	●	●	●	R600a
	DA34-00122D	SWITCH DOOR	●	●	●	●	R134a
9	DA67-10508A	CASE-CONTROL BASE	●	●	●	●	
10	DA26-30111H	TRANS POWER	●	●	●	●	220-240V
	DA26-30111C	TRANS POWER	●	●	●	●	127V
	DA26-30111F	TRANS POWER	●	●	●	●	115V
11	2501-001185	C-OIL	●	●	●	●	350V, 3.5uF
	2501-001186	C-OIL	●	●	●	●	350V, 5uF
	2501-001045	C-OIL	●	●	●	●	350V, 8uF
	2501-001187	C-OIL	●	●	●	●	250V, 12uF
12	DA63-10212J	COVER-PCB PANEL	●	●	●	●	SNOW WHITH
	DA63-10212B	COVER-PCB PANEL	●	●	●	●	METAL GRAY
	DA63-10212E	COVER-PCB PANEL	●	●	●	●	NOBLE BEIGE
	DA63-10212M	COVER-PCB PANEL	●	●	●	●	NOBLE STAIN
13	DA41-00099A	PBA-MAIN	●	●	●	●	220V- 240V
	DA41-00099B	PBA-MAIN	●	●	●	●	115-127V
14	DA41-20148A	PBA-SUB	●	●	●	●	INVERTER-PCB
15	DA63-00951A	GROMMET-DRAIN HOSE	●	●	●	●	ø10
	DA63-00951B	GROMMET-DRAIN HOSE	●	●	●	●	
16	DA62-20001Q	TUBE-PVC	●	●	●	●	
17	DA63-10564H	COVER-COMP ASSY	●	●	●	●	
18	DA31-00010B	FAN-ASSY	●	●	●	●	
19	DA31-10110H	MOTOR-CIRCUIT	●	●	●	●	230V-240V/50Hz
	DA31-10110F	MOTOR-CIRCUIT	●	●	●	●	220V/50-60Hz
	DA31-10110L	MOTOR-CIRCUIT	●	●	●	●	127V/60Hz
	DA31-10110G	MOTOR-CIRCUIT	●	●	●	●	115V/60Hz
20	DA73-10109A	PIPE-CONNECT	●	●	●	●	
21	DA63-40171B	GROMMET-SUCT PIPE	●	●	●	●	
22	DA97-00180A	TRAY-DRAIN WATER ASSY	●	●	●	●	230V-240V/(R600a)
	DA97-00180B	TRAY-DRAIN WATER ASSY	●	●	●	●	230V-240V/(R134a)
	DA97-00180C	TRAY-DRAIN WATER ASSY	●	●	●	●	220V/(R134a)
	DA97-00180D	TRAY-DRAIN WATER ASSY	●	●	●	●	127V/(R134a)
	DA97-00180E	TRAY-DRAIN WATER ASSY	●	●	●	●	115V/(R134a)
23	DA73-10314G	PIPE-SUB COND ASSY	●	●	●	●	
24	DA65-20101B	CLAMP-COMP	●	●	●	●	
25	MK4A3QL1U/E01	COMPRESSOR	●	●	●	●	R600a
	DK182Q-L2U	COMPRESSOR	●	●	●	●	R134a
	SK190H-L2U	COMPRESSOR	●	●	●	●	R134a
	DK(MK)172P-L2U	COMPRESSOR	●	●	●	●	R134a
	DK(MK)172C-L2U	COMPRESSOR	●	●	●	●	R134a
26	DA73-30102B	DRYER-ASSY	●	●	●	●	
27	DA34-10003C	PROTECTOR O/L	●	●	●	●	4TM232PHBY-53
	DA34-10003F	PROTECTOR O/L	●	●	●	●	4TM265RFBY-53
	DA34-20003W	PROTECTOR O/L	●	●	●	●	4TM314PHBY-53
	DA34-10003T	PROTECTOR O/L	●	●	●	●	4TM435PHBY-53
	DA34-10003D	PROTECTOR O/L	●	●	●	●	4TM437RBY-53
28	DA35-10013B	RELAY-PTC	●	●	●	●	J531Q35E330M385-2
	DA35-10013L	RELAY-PTC	●	●	●	●	J531Q34E220M350-2
	DA35-10013M	RELAY-PTC	●	●	●	●	J531Q33E100M200-2
29	DA63-10352A	COVER-RELAY	●	●	●	●	
30	DA71-60141D	CHASSIS-COMP ASSY	●	●	●	●	
31	DA61-40101C	CASTER-REAR	●	●	●	●	
32	DA60-90101A	RIVET-CASTER	●	●	●	●	
33	DA63-40004A	GROMMET COMP	●	●	●	●	
34	DA62-00217A	SEAL-SUB COND	●	●	●	●	R134a