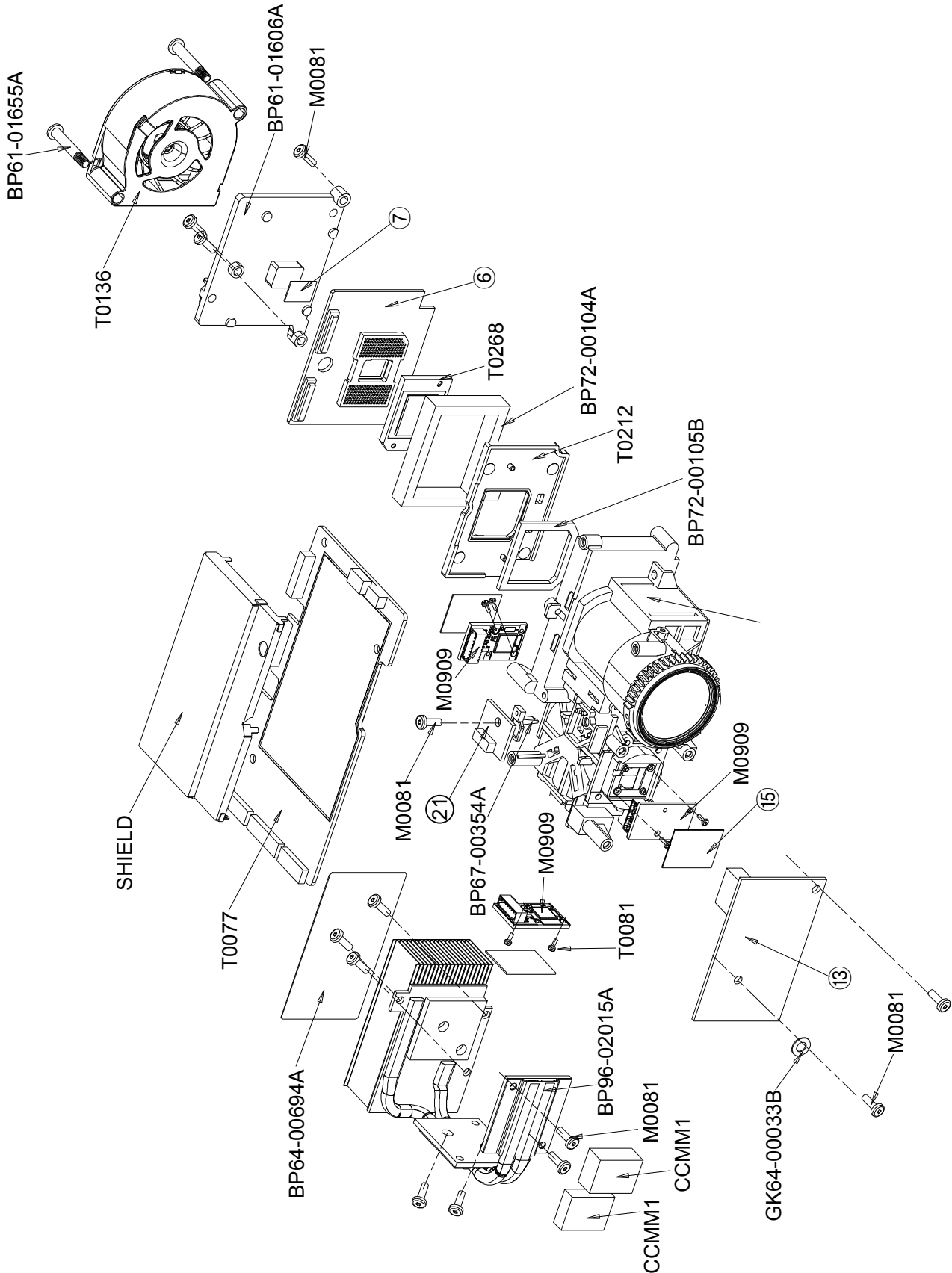


5. Exploded View & Part List







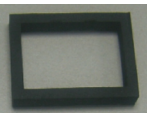
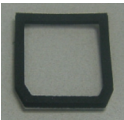



5-1. Exploded View of the Optical Device



5-1-1. SPP400BX/EN Parts List

Location No.	Code No.	Description & Specification	Q'ty	SA/SNA	Remark
T0652	BP96-02014A	ASSY LENS P;Optical Module, P400	1	S.A	
	BP72-00105B	SPONGE-DUST;P400,CR,T2.0,30,34.5,BLACK	1	S.N.A	
	BP61-01611A	BRACKET-PANEL;P400,AL,TYPE-Y	1	S.N.A	
	BP72-00104A	SPONGE-DMD;P400,CR,T8.0,BLACK	1	S.N.A	
T0268	4719-001992	DLP;800x600,0.55",Type-Y	1	S.N.A	
6		DMB PCB:p-400, DMD PCB	1		
7	BP63-01068A	SHEET-DMD BOARD:SHEET, TO.5,9,12,NAt,GP2500S20	1		
	BP61-01606A	BRACKET-DMD BOARD;P400,AL DIECASTING	1	S.N.A	
T0136	BP31-00034A	FAN;B5020L12B2-BB OC,DC FAN	1	S.N.A	
M0081	6003-000277	SCREW-TAPTITE;BH,+,-,B,M3,L12,ZPC(WHT),S	3	S.A	
	BP61-01655A	HOLDER-FAN;P400,SWRCH18A,L24,ZPC(Cr3+BLK	2	S.N.A	
M0081	6003-000109	SCREW-TAPTITE;BH,+,-,B,M2.6,L8,ZPC(BLK),SW	3	S.N.A	
13		LED PCB:P-400, LED PCB			
	GK64-00033B	INLAY-RING;ALL MODEL,PC,0.5T,BLK	1	S.N.A	
15	BP63-01101A	SHEET-PDA LED:GP3000S30 TO.5 23X17	3		
M0909	BP07-00026A	LED DISPLAY;112637,P400,Red,PT54,Type CX	1	S.A	
M0909	BP07-00027A	LED DISPLAY;112638,P400,Green,PT54,Type	1	S.A	
M0909	BP07-00028A	LED DISPLAY;112647,P400,Blue,PT54, Type	1	S.A	
T0081	6002-001405	SCREW-TAPPING;CH,+,-,DELTA PT,M1.8,L3.5,	6	S.N.A	
	BP67-00354A	LENS-SENSOR;P400,PMMA,COLOW-SENSOR	1	S.N.A	
21		SENSOR PCB:P-400, SENSOR PCB	1		
M0081	6003-000115	SCREW-TAPTITE;BH,+,-,B,M3,L6,ZPC(BLK),SWRC	1	S.A	
CCMM1	BP73-00144A	SILICON/RUBBER;SP-P400,SILICON RUBBER,15	1	S.N.A	
CCMM1	BP73-00145A	SILICON/RUBBER;SP-P400,SILICON RUBBER,15	1	S.N.A	
M0081	6003-000109	SCREW-TAPTITE;BH,+,-,B,M2.6,L8,ZPC(BLK),SW	2	S.N.A	
	BP96-02015A	ASSY HEAT SINK P-PIPE;HEAT SINK,HEAT PIP	1	S.N.A	
	BP64-00694A	INLAY-PLATE;P400,PC SHEET,T0.4,36,66,BLA	1	S.N.A	
T0077	BP41-00344A	PCB MAIN;spinner MAIN,FR-4,10,MP1.0,1.6,	1	S.N.A	
SHIELD	BP63-01125A	SHIELD-PCB MAIN TOP;P400,SPTE,0.5	1	S.N.A	






5-1-2. P400 Spinner Parts List

construction place	Code No.	Description	Specification	Q'ty	Remark	shape
	BP96-02014A	ASSY LENS P	OPTIC MODULE	1	New	
	4719-001992	DLP	800x600,0,55" ,Type-Y	1	New	
	BP07-00026A	LED DISPLAY	112637,P400, PT54, Red, Type CX, G2,3	1	New	
	BP07-00027A	LED DISPLAY	112638,P400,PT54, Green, Type CX, G2,3	1	New	
	BP07-00028A	LED DISPLAY	112647,PT54, Blue, Type CX, G2,3	1	New	
	BP61-01611A	BRACKET-PANEL	P400,AL,TYPE-Y	1	New	
	BP72-00104A	SPONGE-DMD	P400,CR,T8,0,BLACK	1	New	
	BP72-00105B	SPONGE-DUST	P400,CR,T2,0,30,34,5,BLACK	1	New	
	BP63-01068A	SHEET-DMD BOARD	GP2500S20 T0,5	1	New	
	BP63-01101A	SHEET-PAD LED	GP3000S30 T0,5 23X17	3	New	
	BP67-00354A	LENS SENSOR	PMMA,COLOW-SENSOR	1	New	

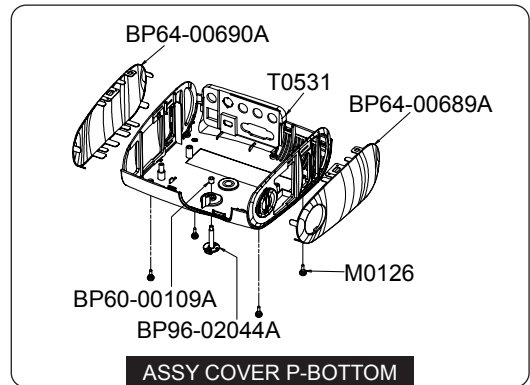
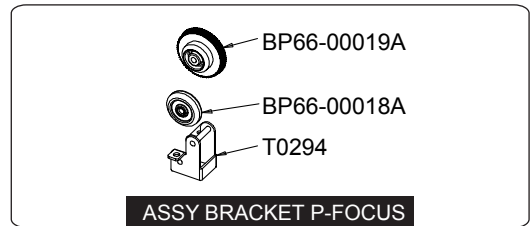
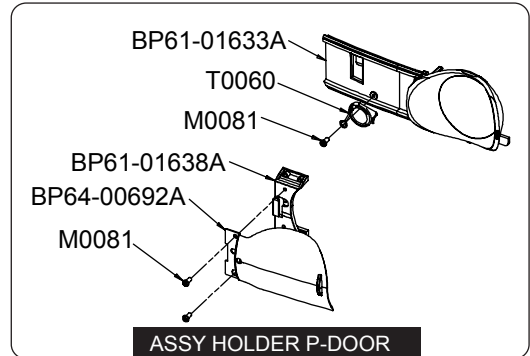
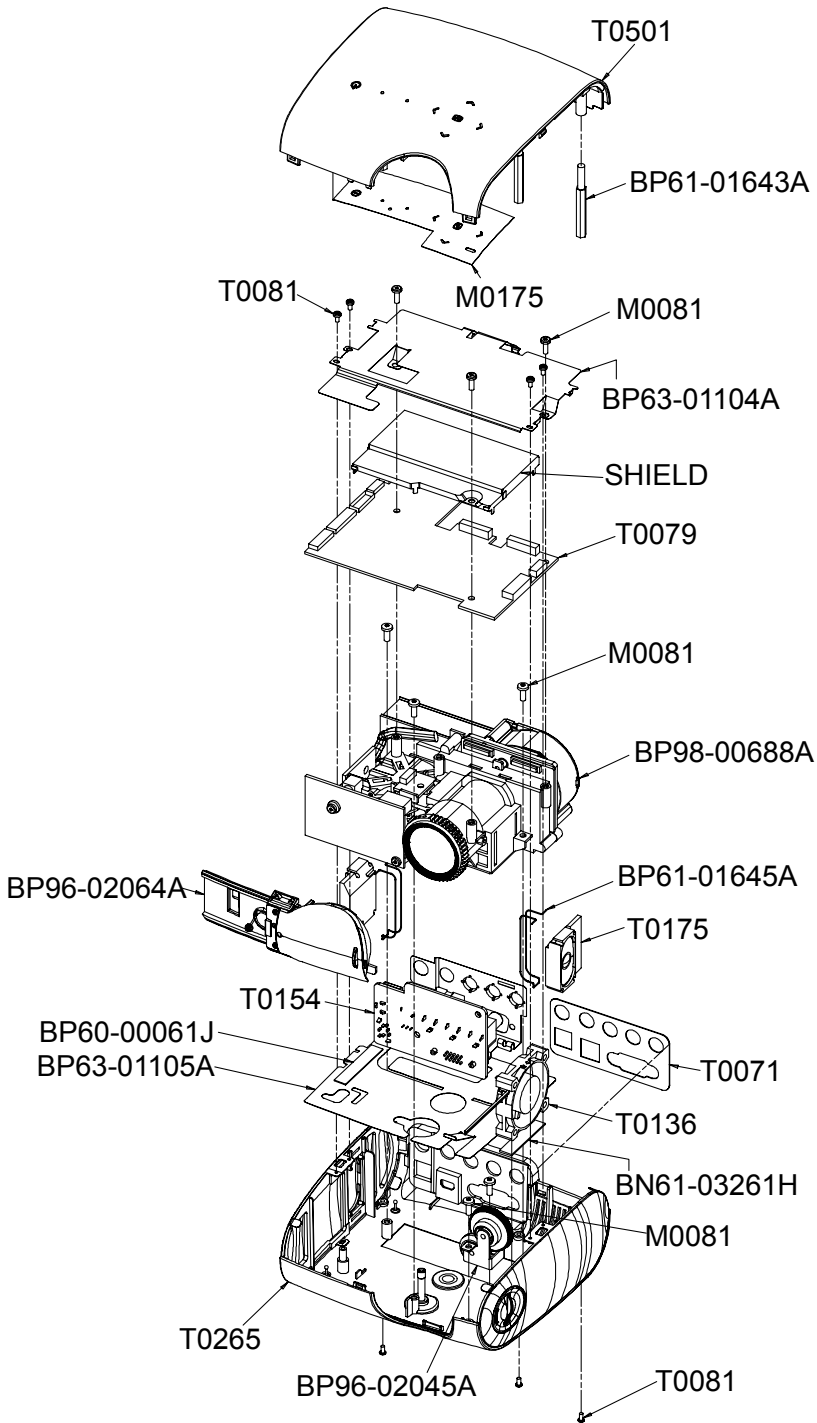
5. Exploded View & Part List

	BP96-02015A	ASSY HEAT SINK P-PIPE	HEAT SINK,HEAT PIPE	1	New	
	BP61-01606A	BRACKET-DMD BOARD	P400,AL DIECASTING	1	New	
	BP64-00694A	INLAY-PLATE	PC SHEET,VO ,36*66*T0.4, BLACK	1	New	
	BP63-01125A	SHIELD-PCB MAIN TOP	SPT 0.5	1	New	
LED+ENGINE	6002-001405	SCREW-TAPTITE	CH,+,DELPT,M1.8,L3.5	6	Common	
BRKT- DMD+ENGINE	6003-000277	SCREW-TAPTITE	BH,+,B,M3,L12,ZPC(WHT)	3	Common	
COLOR SENSOR+ENGINE	6003-000115	SCREW-TAPTITE	BH,+,B,M3,L6,ZPC(BLK),	1	Common	
HEAT- PIPE+ENGINE	6003-000109	SCREW-TAPTITE	BH,+,B,M2.6,L8,ZPC(BLK),	7	Common	
FAN + BRKT-PANEL	BP61-01655A	HOLDER-FAN	TH,+,M4,L24x6,D6.5,H1,ZPC(Cr3+BLK),SWRCH18A	2	New	
LED DRIVER PCB +ENGINE	6003-000109	SCREW-TAPTITE	BH,+,B,M2.6,L8,ZPC(BLK),	2	Common	
	GK64-00033B	INLAY-RING	PC SHEET,VO ,T0.5, BLACK	1	New	

5. Exploded View & Part List

	BP73-00144A	SILICON-RUBBER	SILICON-RUBBER,15*20*9.0	1	New	
	BP73-00145A	SILICON-RUBBER	SILICON-RUBBER,15*20*6.0	1	New	
	BP31-00034A	FAN	50*50*20,BLOWER FAN	1	New	
	BP31-00033A	FAN	40*40*10,AXIAL FAN	1	New	
	BP60-00061J	SPACER-SCREEN	50L3,FELT,50,T2.0,10	1	New	

5-2. Exploded View



5-2-1. Service Parts List

Location No.	Code No.	Description & Specification	Q'ty	SA/SNA	Remark
T0265	BP96-02071A	ASSY COVER P-TOP;SPP400BX/EN,PC,V0,BLK	1	S.A	
T0531	BP63-01100A	COVER-BOTTOM;P-400,PC,DO,BLK,PROJECTOR	1	S.N.A	
	BP64-00689A	GRILLE-WOOFER R;P-400,SPCC,T0.3,BLK,RIGH	1	S.N.A	
	BP64-00690A	GRILLE-WOOFER L;P-400,SPCC,T0.3,BLK,LEFT	1	S.N.A	
M0126	BP73-00141A	RUBBER-FOOT;P-400,SILICON,BLK,RUBBER FOO	4	S.N.A	
	BP96-02044A	ASSY HOLDER P-FOOT;P-400,ABS,BLK	1	S.N.A	
	BP60-00109A	FASTENER-PEM NUT;SP-P400,SUM24L,M3,L3.5,	1	S.N.A	
	BP96-02045A	ASSY BRACKET P-FOCUS;P-400,SPCC,NTR	1	S.N.A	
	BP66-00019A	WHEEL-FOCUS;P-400,ABS,BLK	1	S.N.A	
	BP66-00018A	GEAR-FOCUS;P-400,POM,NTR	1	S.N.A	
T0294	BP61-01632A	BRACKET-FOCUS;P-400,SPCC,T1.0,NTR	1	S.N.A	
	BP96-02064A	ASSY HOLDER P-DOOR;P-400,ABS,BLK	1	S.N.A	
	BP61-01633A	HOLDER-DOOR;P-400,ABS,BLK	1	S.N.A	
T0060	BP61-01637A	SPRING ETC;P-400,SUS,T0.4	1	S.N.A	
M0081	6003-001070	SCREW-TAPTITE;BH,+,-,B,M2,L4,ZPC(BLK),SW	1	S.N.A	
	BP61-01638A	HOLDER-SLIDE;P-400,PC,BLK	1	S.N.A	
	BP64-00692A	DOOR-SLIDE;P-400,AL1050,T0.5,NTR	1	S.N.A	
M0081	6003-001070	SCREW-TAPTITE;BH,+,-,B,M2,L4,ZPC(BLK),SW	2	S.N.A	
T0081	6001-001708	SCREW-MACHINE;BH,+,M2,L5,ZPC(BLK)	3	S.A	
M0081	6003-000282	SCREW-TAPTITE;BH,+,-,B,M3,L8,ZPC(BLK),SW	2	S.A	
	BN61-03261H	BOSS-TAPE;Tulip,ACRYL,T1.1,W8.0mm,GRAY,T	0.04	S.N.A	
T0136	BP31-00033A	FAN;G4010S12B2-AA OC,DC FAN	1	S.N.A	
T0071	BP64-00691A	INLAY-TERMINAL;SP-P400,PC SHEET,T0.5,BLK	1	S.N.A	
	BP63-01105A	SHIELD CASE-BOTTOM;P-400,SUS,0.2,NTR	1	S.N.A	
	BP60-00061J	SPACER-SCREEN:50L3,FELT,50,T2.0,10		1	
T0154	BP94-02332A	ASSY PCB MISC-INTERFACE;SPP400BX/EN,SPIN	1	S.A	
T0175	BP96-02065A	ASSY SPEAKER P;8ohm,Enclosure type,1W,4p	1	S.A	
	BP61-01645A	SPRING ETC-CLAMP;P-400,SUS,T0.7	2	S.N.A	
	BP98-00688A	ASSY K/D-ENGINE;SPP400	1	S.N.A	
M0081	6003-000282	SCREW-TAPTITE;BH,+,-,B,M3,L8,ZPC(BLK),SW	3	S.A	
T0079	BP94-02334A	ASSY PCB MISC-MAIN;SPP400BX/EN,SPINNER	1	S.A	
SHIELD	BP63-01125A	SHIELD-PCB MAIN TOP;P400,SPTE,0.5	1	S.N.A	
	BP63-01104A	SHIELD CASE-TOP;P-400,SUS,0.2,NTR	1	S.N.A	
M0081	6003-000109	SCREW-TAPTITE;BH,+,B,M2.6,L8,ZPC(BLK),SW	3	S.N.A	
T0081	6001-000808	SCREW-MACHINE;CH,+,-,M2,L4,NI PLT,SWRCH1	4	S.N.A	
M0175	BP96-02066A	ASSY BOARD P-TOUCH PAD;SP-P400BX/EN,CT50	1	S.A	
	BP61-01643A	STAND-OFF;P400,BRASS,M3.0 L31	3	S.N.A	
T0501	BP63-01099A	COVER-TOP;P-400,PC,DO,BLK,PROJECTOR	1	S.N.A	

5-3. Parts List

Service Bom (SA: SERVICE AVAILABLE, SNA: SERVICE NOT AVAILABLE)

Level	Location No.	Code No.	Description & Specification	Q'ty	SA/SNA	Remark
		SPP400BX/EN	SP-P400B,P2AA,,PROJECTOR,NETHERLANDS			
0.1	T0071	BP96-02040A	ASSY MISC P-SET;SPP400BX/EN	1	S.N.A	
..2		BP90-00434A	ASSY COVER TOP;SPP400BX/EN	1	S.N.A	
...3	T0081	6001-001708	SCREW-MACHINE;BH,+ ,M2,L5,ZPC(BLK)	3	S.A	
...3		BP61-01643A	STAND-OFF;P400,BRASS,M3.0 L31	3	S.N.A	
...3	T0265	BP96-02071A	ASSY COVER P-TOP;SPP400BX/EN,PC,V0,BLK	1	S.A	
...4	T0501	BP63-01099A	COVER-TOP;P-400,PC,DO,BLK,PROJECTOR	1	S.N.A	
...4	CCM1	BP63-01114A	COVER-SHEET;SP-P400,PVC,0.15,210,210,COV	1.2	S.N.A	
...3	M0175	BP96-02066A	ASSY BOARD P-TOUCH PAD;SP-P400BX/EN,CT50	1	S.A	
..2		BP90-00435A	ASSY COVER BOTTOM;SPP400BX/EN	1	S.N.A	
...3	M0081	6003-000109	SCREW-TAPTITE;BH,+ ,B,M2.6,L8,ZPC(BLK),SW	3	S.N.A	
...3	M0081	6003-000282	SCREW-TAPTITE;BH,+ ,-,B,M3,L8,ZPC(BLK),SW	2	S.A	
...3	M0081	6003-000282	SCREW-TAPTITE;BH,+ ,-,B,M3,L8,ZPC(BLK),SW	3	S.A	
...3		BN61-03261H	BOSS-TAPE;Tulip,ACRYL,T1.1,W8.0mm,GRAY,T	0.04	S.N.A	
...3	T0136	BP31-00033A	FAN;G4010S12B2-AA OC,DC FAN	1	S.N.A	
...3		BP61-01645A	SPRING ETC-CLAMP;P-400,SUS,T0.7	2	S.N.A	
...3		BP63-01104A	SHIELD CASE-TOP;P-400,SUS,0.2,NTR	1	S.N.A	
...3		BP63-01105A	SHIELD CASE-BOTTOM;P-400,SUS,0.2,NTR	1	S.N.A	
...3	T0071	BP64-00691A	INLAY-TERMINAL;SP-P400,PC SHEET,T0.5,BLK	1	S.N.A	
...3	T0145	BP96-02038A	ASSY COVER P-BOTTOM;SPP400,PC+ABS,V0,BLK	1	S.A	
...4		BP60-00109A	FASTENER-PEM NUT;SP-P400,SUM24L,M3,L3.5,	1	S.N.A	
...4	T0531	BP63-01100A	COVER-BOTTOM;P-400,PC,DO,BLK,PROJECTOR	1	S.N.A	
....5		BP60-00107A	FASTENER-PEM NUT;SP-P400,SUM24L,M 2.5inc	1	S.N.A	
....5	M4	BP60-00110A	FASTENER-PEM NUT;SP-P400,SUS,M4,L21,YEL,	1	S.N.A	
...4	CCM1	BP63-01120A	COVER-SHEET;SP-P400,PVC,0.15,210,210,COV	1.5	S.N.A	
...4		BP64-00689A	GRILLE-WOOFER R;P-400,SPCC,T0.3,BLK,RIGH	1	S.N.A	
...4		BP64-00690A	GRILLE-WOOFER L;P-400,SPCC,T0.3,BLK,LEFT	1	S.N.A	
...4	M0126	BP73-00141A	RUBBER-FOOT;P-400,SILICON,BLK,RUBBER FOO	4	S.N.A	
...4		BP96-02044A	ASSY HOLDER P-FOOT;P-400,ABS,BLK	1	S.N.A	
....5		BP61-01634A	HOLDER-SHAFT;P-400,SUS,NTR	1	S.N.A	
....5		BP61-01635A	HOLDER-FOOT;P-400,ABS,BLK	1	S.N.A	
...3		BP96-02045A	ASSY BRACKET P-FOCUS;P-400,SPCC,NTR	1	S.N.A	
...4	T0294	BP61-01632A	BRACKET-FOCUS;P-400,SPCC,T1.0,NTR	1	S.N.A	
...4		BP66-00018A	GEAR-FOCUS;P-400,POM,NTR	1	S.N.A	
...4		BP66-00019A	WHEEL-FOCUS;P-400,ABS,BLK	1	S.N.A	
...3		BP98-00688A	ASSY K/D-ENGINE;SPP400	1	S.N.A	
...4	T0268	4719-001992	DLP;800x600,0.55",Type-Y	1	S.N.A	
...4	T0081	6002-001405	SCREW-TAPPING;CH,+ ,-,DELTA PT,M1.8,L3.5,	6	S.N.A	
...4	M0081	6003-000109	SCREW-TAPTITE;BH,+ ,B,M2.6,L8,ZPC(BLK),SW	7	S.N.A	
...4	M0081	6003-000109	SCREW-TAPTITE;BH,+ ,B,M2.6,L8,ZPC(BLK),SW	2	S.N.A	
...4	M0081	6003-000115	SCREW-TAPTITE;BH,+ ,B,M3,L6,ZPC(BLK),SWRC	1	S.A	
...4	M0081	6003-000277	SCREW-TAPTITE;BH,+ ,-,B,M3,L12,ZPC(WHT),S	3	S.A	
...4	M0909	BP07-00026A	LED DISPLAY;112637,P400,Red,PT54,Type CX	1	S.A	
...4	M0909	BP07-00027A	LED DISPLAY;112638,P400,Green,PT54,Type	1	S.A	

Level	Location No.	Code No.	Description & Specification	Q'ty	SA/SNA	Remark
...4	M0909	BP07-00028A	LED DISPLAY;112647,P400,Blue,PT54, Type	1	S.A	
...4	T0136	BP31-00034A	FAN;B5020L12B2-BB OC,DC FAN	1	S.N.A	
...4		BP61-01606A	BRACKET-DMD BOARD;P400,AL DIECASTING	1	S.N.A	
...4	T0212	BP61-01611A	BRACKET-PANEL;P400,AL,TYPE-Y	1	S.N.A	
...4		BP64-00694A	INLAY-PLATE;P400,PC SHEET,T0.4,36,66,BLA	1	S.N.A	
...4		BP67-00354A	LENS-SENSOR;P400,PMMA,COLOW-SENSOR	1	S.N.A	
...4		BP72-00104A	SPONGE-DMD;P400,CR,T8.0,BLACK	1	S.N.A	
...4	CCMM1	BP73-00144A	SILICON/RUBBER;SP-P400,SILICON RUBBER,15	1	S.N.A	
...4	T0652	BP96-02014A	ASSY LENS P;Optical Module, P400	1	S.A	
...4		BP96-02015A	ASSY HEAT SINK P-PIPE;HEAT SINK,HEAT PIP	1	S.N.A	
...4		GK64-00033B	INLAY-RING;ALL MODEL,PC,0.5T,BLK	1	S.N.A	
...4		BP72-00105B	SPONGE-DUST;P400,CR,T2.0,30,34.5,BLACK	1	S.N.A	
...4	CCMM1	BP73-00145A	SILICON/RUBBER;SP-P400,SILICON RUBBER,15	1	S.N.A	
...4		BP61-01655A	HOLDER-FAN;P400,SWRCH18A,L24,ZPC(Cr3+BLK	2	S.N.A	
...3		BP96-02064A	ASSY HOLDER P-DOOR;P-400,ABS,BLK	1	S.N.A	
...4	M0081	6003-001070	SCREW-TAPTITE;BH,+,-,B,M2,L4,ZPC(BLK),SW	2	S.N.A	
...4	M0081	6003-001070	SCREW-TAPTITE;BH,+,-,B,M2,L4,ZPC(BLK),SW	1	S.N.A	
...4		BP61-01633A	HOLDER-DOOR;P-400,ABS,BLK	1	S.N.A	
...4	T0060	BP61-01637A	SPRING ETC;P-400,SUS,T0.4	1	S.N.A	
...4		BP61-01638A	HOLDER-SLIDE;P-400,PC,BLK	1	S.N.A	
...4		BP64-00692A	DOOR-SLIDE;P-400,AL1050,T0.5,NTR	1	S.N.A	
...3	T0175	BP96-02065A	ASSY SPEAKER P;8ohm,Enclosure type,1W,4p	1	S.A	
...3	T0175	BP96-02065B	ASSY SPEAKER P;8ohm,Enclosure type,1W,4p	1	S.A	
...3	T0081	6001-000808	SCREW-MACHINE;CH,+ ,M2,L3,ZPC(BLK),SWRCH1	4	S.N.A	
...3	T0067	BP60-00061J	SPACER-SCREEN;50L3,FELT,50,T2.0,10	1	S.N.A	
..2	T0892	BP91-02116A	ASSY FIXING;SPP400BX/EN	1	S.N.A	
...3	M2893	BP39-00295A	LEAD CONNECTOR;Spinner,UL1061#28,14PIN,8	1	S.A	
...3	M2893	BP39-00296A	LEAD CONNECTOR;Spinner,UL1061#28,10PIN,1	1	S.A	
...3	M2893	BP39-00300A	LEAD CONNECTOR;Spinner,UL1061#28,3PIN,80	1	S.A	
...3	M2893	BP39-00301A	LEAD CONNECTOR;Spinner,UL1061#28,8PIN,80	1	S.A	
...3	M2893	BP39-00303A	LEAD CONNECTOR;Spinner,UL1061#28,8PIN,50	1	S.A	
...3	M2893	BP39-00304A	LEAD CONNECTOR;Spinner,UL1061#28,8PIN,50	1	S.A	
...3	M2893	BN39-00917B	LEAD CONNECTOR;Spinner,UL1061#28,6PIN,10	1	S.A	
...3	M0131	AA63-00864A	GASKET;MH17FS,CONDUCTIVE FAB,3mm,5mm,30m	1	S.N.A	
...3	T0073	AA63-01109B	GASKET-EMI;42D5,T0.5,10,60,Fabric	1	S.N.A	
...3	T0073	AA63-01454A	GASKET-EMI;Cadillac,Conductive Fabric,0.	1	S.N.A	
...3	M0131	BN63-00515A	GASKET;MB15ES,Conductive Fabric,4mm,10mm	1	S.N.A	
...3	M0131	BN63-00520A	GASKET;APPOLO_PAL,Conductive Fabric,0.13	2	S.N.A	
..2	M0045	BP92-02018A	ASSY ACCESSORY;SPP400BX/EN,SPINNER	1	S.N.A	
...3	M0158	BP44-01005A	ADAPTOR;SAD06314V-UV,P400 POCKET IMAGER,	1	S.A	
...3	M0254	BP96-02039A	ASSY ACCESSORY-CABLE&MANUAL;SPP400BX/EN	1	S.A	
...4	T0268	3903-000042	CBF-POWER CORD;DT,EU,FP3/YES,IEC320 C13/	1	S.A	
...4	T0524	6902-000009	BAG PE;HDPE,T0.03,W240,L400,TRP,8,2,-,5.	1	S.N.A	
...4	T0175	BN68-00514E	MANUAL FLYER-01,WARRANTY CARD;comm,Samsu	1	S.N.A	
...4		BN68-00907A	MANUAL FLYER-01,CARD;COMM,SAMSUNG,18 LAN	1	S.N.A	
...4	M0215	BP96-01411F	ASSY MANUAL P-IB+QSG;SP-P400B,W/P80G,Sam	1	S.N.A	
....5		BP59-00092E	S/W DRIVER-03,IB;COMM,Spinner,WW,SP-P400	1	S.N.A	
....5		BP68-00541F	MANUAL FLYER-02,QSG;Comm,Samsung,18Lang,	1	S.N.A	
...4		BN63-02368A	CLOTH;LS07BTT,SUEDE,0.6,160,120	1	S.N.A	

5. Exploded View & Part List

Level	Location No.	Code No.	Description & Specification	Q'ty	SA/SNA	Remark
...4	T0074	BP59-00133A	REMOCON;SPINNER,TM91,FLASH,23,30mArms,DC	1	S.A	
...4	0	AA68-03242P	MANUAL FLYER-01,,SAFETY GUIDE;comm,Samsu	1	S.N.A	
...4	M0114	BN39-00244G	CBF SIGNAL;D-sub cable,15P/15P,20276N,15	1	S.A	
.2	M0019	BP92-02019A	ASSY LABEL;SPP400BX/EN	1	S.N.A	
.2	M0003	BP92-02020A	ASSY BOX;SPP400BX/EN	1	S.N.A	
...3		MD69-00416A	BOX-01,SET;GEN3,PAPER,NON-STANDARD,W769,	1.02	S.N.A	
...3		MD69-00418A	BOX-01,MASTER;GEN3,CB,A-01,SY-01,A,YEL,W	0.2	S.N.A	
...3		BN96-02895A	ASSY MISC P-01,HANDLE PACKING;ALL MODEL,	1	S.N.A	
...4	M0103	BN66-00007A	LEVER-TOP;ALL MODEL,LDPE,WHITE	1	S.N.A	
...4	M0102	BN66-00008A	LEVER-BOTTOM;ALL MODEL,LDPE,WHITE	1	S.N.A	
.2	M0113	BP92-02021A	ASSY P/MATERIAL;SPP400BX/EN	1	S.N.A	
...3	T0376	6902-000061	BAG AIR;LDPE,T0.2,W500,L1000,TRP,-,-,-,3	0.002	S.N.A	
...3	T0376	6902-000379	BAG AIR;LDPE,T0.2,W1000,L1800,TRP,-,-,-,	0.001	S.N.A	
...3	T0524	6902-000389	BAG PE;HDPE/NITRON/HDPE,T0.015/T0.5/T0.0	2	S.N.A	
...3	T0003	6902-000604	BAG WRAPPING;LDPE,T0.02,W500,L10000,TRP,	0.264	S.N.A	
...3	M0081	6902-000609	BAG ROLL;LDPE,T0.05,W2400,L1000,TRP,-,-,	0.005	S.N.A	
.2		BP94-02330A	ASSY PCB MISC-CHASSIS;SPP400BX/EN,SPINNE	1	S.N.A	
...3	T0362	BP94-02331A	ASSY PCB MISC-DMD;SPP400BX/EN,SPINNER	1	S.A	
...4	T0245	0202-001608	SOLDER-WIRE FLUX;LFC7-107,D0.8,99.3Sn/0.	0.003	S.N.A	
...4	M0013	BP97-01289A	ASSY SMD-DMD;SPP400BX/EN,SPINNER	1	S.N.A	
....5	SUB05	0202-001477	SOLDER-CREAM;LST309-M,-,D20~45um,96.5Sn/	0.14	S.N.A	
....5	R11	2007-000070	R-CHIP;0ohm,5%,1/10W,TP,1608	1	S.A	
....5	R14	2007-000070	R-CHIP;0ohm,5%,1/10W,TP,1608	1	S.A	
....5	R21	2007-000070	R-CHIP;0ohm,5%,1/10W,TP,1608	1	S.A	
....5	R9	2007-000070	R-CHIP;0ohm,5%,1/10W,TP,1608	1	S.A	
....5	R27	2007-000082	R-CHIP;3.3Kohm,5%,1/10W,TP,1608	1	S.A	
....5	R13	2007-000113	R-CHIP;33ohm,5%,1/10W,TP,1608	1	S.A	
....5	R22	2007-000779	R-CHIP;33ohm,1%,1/10W,TP,1608	1	S.A	
....5	R23	2007-000779	R-CHIP;33ohm,1%,1/10W,TP,1608	1	S.A	
....5	R24	2007-000779	R-CHIP;33ohm,1%,1/10W,TP,1608	1	S.A	
....5	R25	2007-000779	R-CHIP;33ohm,1%,1/10W,TP,1608	1	S.A	
....5	R26	2007-000779	R-CHIP;33ohm,1%,1/10W,TP,1608	1	S.A	
....5	C27	2203-000440	C-CER,CHIP;1nF,10%,50V,X7R,1608	1	S.A	
....5	C6	2203-000440	C-CER,CHIP;1nF,10%,50V,X7R,1608	1	S.A	
....5	C10	2203-005005	C-CER,CHIP;100nF,10%,16V,X7R,1608	1	S.A	
....5	C11	2203-005005	C-CER,CHIP;100nF,10%,16V,X7R,1608	1	S.A	
....5	C12	2203-005005	C-CER,CHIP;100nF,10%,16V,X7R,1608	1	S.A	
....5	C13	2203-005005	C-CER,CHIP;100nF,10%,16V,X7R,1608	1	S.A	
....5	C14	2203-005005	C-CER,CHIP;100nF,10%,16V,X7R,1608	1	S.A	
....5	C15	2203-005005	C-CER,CHIP;100nF,10%,16V,X7R,1608	1	S.A	
....5	C16	2203-005005	C-CER,CHIP;100nF,10%,16V,X7R,1608	1	S.A	
....5	C17	2203-005005	C-CER,CHIP;100nF,10%,16V,X7R,1608	1	S.A	
....5	C18	2203-005005	C-CER,CHIP;100nF,10%,16V,X7R,1608	1	S.A	
....5	C19	2203-005005	C-CER,CHIP;100nF,10%,16V,X7R,1608	1	S.A	
....5	C20	2203-005005	C-CER,CHIP;100nF,10%,16V,X7R,1608	1	S.A	
....5	C21	2203-005005	C-CER,CHIP;100nF,10%,16V,X7R,1608	1	S.A	
....5	C22	2203-005005	C-CER,CHIP;100nF,10%,16V,X7R,1608	1	S.A	
....5	C23	2203-005005	C-CER,CHIP;100nF,10%,16V,X7R,1608	1	S.A	
....5	C24	2203-005005	C-CER,CHIP;100nF,10%,16V,X7R,1608	1	S.A	

Level	Location No.	Code No.	Description & Specification	Q'ty	SA/SNA	Remark
.....5	C25	2203-005005	C-CER,CHIP;100nF,10%,16V,X7R,1608	1	S.A	
.....5	C26	2203-005005	C-CER,CHIP;100nF,10%,16V,X7R,1608	1	S.A	
.....5	C28	2203-005005	C-CER,CHIP;100nF,10%,16V,X7R,1608	1	S.A	
.....5	C7	2203-005005	C-CER,CHIP;100nF,10%,16V,X7R,1608	1	S.A	
.....5	C8	2203-005005	C-CER,CHIP;100nF,10%,16V,X7R,1608	1	S.A	
.....5	C9	2203-005005	C-CER,CHIP;100nF,10%,16V,X7R,1608	1	S.A	
.....5	C29	2203-005065	C-CER,CHIP;1000nF,+80-20%,10V,Y5V,1608	1	S.A	
.....5	C4	2203-005437	C-CER,CHIP;10000nF,+80-20%,10V,Y5V,3216	1	S.A	
.....5	C5	2203-005437	C-CER,CHIP;10000nF,+80-20%,10V,Y5V,3216	1	S.A	
.....5	T0568	3301-001393	BEAD-SMD;60ohm,3216,1500mA,TP,41ohm/40MH	1	S.N.A	
.....5	T0568	3301-001393	BEAD-SMD;60ohm,3216,1500mA,TP,41ohm/40MH	1	S.N.A	
.....5	T0568	3301-001393	BEAD-SMD;60ohm,3216,1500mA,TP,41ohm/40MH	1	S.N.A	
.....5	IC1	3704-001239	SOCKET-IC;221PIN,DLP,NI-AU,1.27mm	1	S.A	
.....5	CN100	3710-002111	SOCKET-BOARD TO BOARD;60P,2R,0.5MM,SMD-S	1	S.A	
.....5	CN101	3710-002111	SOCKET-BOARD TO BOARD;60P,2R,0.5MM,SMD-S	1	S.A	
.....5	PCB	BP41-00346A	PCB SUB-DMD;spinner DMD,FR-4,6,MP1.0,1.6	1	S.N.A	
...3	T0154	BP94-02332A	ASSY PCB MISC-INTERFACE;SPP400BX/EN,SPIN	1	S.A	
...4	T0245	0202-001608	SOLDER-WIRE FLUX;LFC7-107,D0.8,99.3Sn/0.	0.003	S.N.A	
...4	D0254	0609-001202	MODULE REMOCON;HORIZONTAL,12.4mm,TR	1	S.A	
...4	CN101	3701-001294	CONNECTOR-DSUB;15P,3R,FEMALE,STRAIGHT,AU	1	S.A	
...4	JA330	3722-001061	JACK-PHONE;1P,3.6PI,AG,BLK,N	1	S.A	
...4	CN104	3722-001849	JACK-DC POWER;3P,7.1MM,SNPB,BLK	1	S.A	
...4	JA333	3722-002063	JACK-PIN;3P,AU,YEL/WHT/RED,STRAIGHT	1	S.A	
...4	CN105	3722-002507	JACK-MINI USB;5P,AU,BLK,STRAIGHT,B TYPE	1	S.N.A	
...4		BP97-01290A	ASSY SMD-INTERFACE;SPP400BX/EN,SPINNER	1	S.N.A	
.....5	SUB05	0202-001477	SOLDER-CREAM;LST309-M,-,D20~45um,96.5Sn/	0.569	S.N.A	
.....5	D117	0401-000133	DIODE-SWITCHING;RLS4148,75V,150mA,LL-34,	1	S.A	
.....5	D118	0401-000133	DIODE-SWITCHING;RLS4148,75V,150mA,LL-34,	1	S.A	
.....5	D101	0401-001056	DIODE-SWITCHING;MMBD4148SE,100V,200mA,SO	1	S.A	
.....5	D102	0401-001056	DIODE-SWITCHING;MMBD4148SE,100V,200mA,SO	1	S.A	
.....5	D103	0401-001056	DIODE-SWITCHING;MMBD4148SE,100V,200mA,SO	1	S.A	
.....5	D120	0401-001056	DIODE-SWITCHING;MMBD4148SE,100V,200mA,SO	1	S.A	
.....5	D110	0403-000258	DIODE-ZENER;BZX84C5V6,5.2-6V,225mW,SOT-2	1	S.A	
.....5	D116	0403-000258	DIODE-ZENER;BZX84C5V6,5.2-6V,225mW,SOT-2	1	S.A	
.....5	D119	0403-000258	DIODE-ZENER;BZX84C5V6,5.2-6V,225mW,SOT-2	1	S.A	
.....5	D104	0403-000579	DIODE-ZENER;BZX84C5V1,4.8-5.4V,200mW,SOT	1	S.A	
.....5	D105	0403-000579	DIODE-ZENER;BZX84C5V1,4.8-5.4V,200mW,SOT	1	S.A	
.....5	D106	0403-000579	DIODE-ZENER;BZX84C5V1,4.8-5.4V,200mW,SOT	1	S.A	
.....5	D107	0403-000579	DIODE-ZENER;BZX84C5V1,4.8-5.4V,200mW,SOT	1	S.A	
.....5	D108	0403-000579	DIODE-ZENER;BZX84C5V1,4.8-5.4V,200mW,SOT	1	S.A	
.....5	D109	0403-000579	DIODE-ZENER;BZX84C5V1,4.8-5.4V,200mW,SOT	1	S.A	
.....5	D124	0403-000579	DIODE-ZENER;BZX84C5V1,4.8-5.4V,200mW,SOT	1	S.A	
.....5	D111	0406-001163	DIODE-TVS;CDS3C05GTA,6.4V/-/-,-,SMD	1	S.A	
.....5	D112	0406-001163	DIODE-TVS;CDS3C05GTA,6.4V/-/-,-,SMD	1	S.A	
.....5	D113	0406-001163	DIODE-TVS;CDS3C05GTA,6.4V/-/-,-,SMD	1	S.A	
.....5	D114	0406-001163	DIODE-TVS;CDS3C05GTA,6.4V/-/-,-,SMD	1	S.A	
.....5	D115	0406-001163	DIODE-TVS;CDS3C05GTA,6.4V/-/-,-,SMD	1	S.A	
.....5	D121	0406-001163	DIODE-TVS;CDS3C05GTA,6.4V/-/-,-,SMD	1	S.A	
.....5	D122	0406-001163	DIODE-TVS;CDS3C05GTA,6.4V/-/-,-,SMD	1	S.A	

5. Exploded View & Part List

Level	Location No.	Code No.	Description & Specification	Q'ty	SA/SNA	Remark
.....5	D123	0406-001163	DIODE-TVS;CDS3C05GTA,6.4V/-/-,SMD	1	S.A	
.....5	Q101	0501-000445	TR-SMALL SIGNAL;KTC3875S-Y,NPN,150mW,SOT	1	S.A	
.....5	Q102	0501-000445	TR-SMALL SIGNAL;KTC3875S-Y,NPN,150mW,SOT	1	S.A	
.....5	Q103	0501-000445	TR-SMALL SIGNAL;KTC3875S-Y,NPN,150mW,SOT	1	S.A	
.....5	Q104	0501-000445	TR-SMALL SIGNAL;KTC3875S-Y,NPN,150mW,SOT	1	S.A	
.....5	IC104	0801-002404	IC-CMOS LOGIC;74VHC4066,ANALOG SWITCH,SO	1	S.A	
.....5	IC104	0801-002779	IC-CMOS LOGIC;74LVC1G125,BUS BUFFER,SOT-	1	S.A	
.....5	IC112	1103-000129	IC-EEPROM;24C02,2Kbit,256x8Bit,SOP,8P,5x	1	S.A	
.....5	R127	2007-000060	R-CHIP;100Kohm,1%,1/10W,TP,1608	1	S.A	
.....5	R128	2007-000060	R-CHIP;100Kohm,1%,1/10W,TP,1608	1	S.A	
.....5	R101	2007-000074	R-CHIP;100ohm,5%,1/10W,TP,1608	1	S.A	
.....5	R105	2007-000074	R-CHIP;100ohm,5%,1/10W,TP,1608	1	S.A	
.....5	R106	2007-000074	R-CHIP;100ohm,5%,1/10W,TP,1608	1	S.A	
.....5	R107	2007-000074	R-CHIP;100ohm,5%,1/10W,TP,1608	1	S.A	
.....5	R108	2007-000074	R-CHIP;100ohm,5%,1/10W,TP,1608	1	S.A	
.....5	R109	2007-000074	R-CHIP;100ohm,5%,1/10W,TP,1608	1	S.A	
.....5	R110	2007-000074	R-CHIP;100ohm,5%,1/10W,TP,1608	1	S.A	
.....5	R114	2007-000074	R-CHIP;100ohm,5%,1/10W,TP,1608	1	S.A	
.....5	R115	2007-000074	R-CHIP;100ohm,5%,1/10W,TP,1608	1	S.A	
.....5	R125	2007-000077	R-CHIP;470ohm,5%,1/10W,TP,1608	1	S.A	
.....5	R126	2007-000077	R-CHIP;470ohm,5%,1/10W,TP,1608	1	S.A	
.....5	R116	2007-000078	R-CHIP;1Kohm,5%,1/10W,TP,1608	1	S.A	
.....5	R129	2007-000078	R-CHIP;1Kohm,5%,1/10W,TP,1608	1	S.A	
.....5	R130	2007-000078	R-CHIP;1Kohm,5%,1/10W,TP,1608	1	S.A	
.....5	R133	2007-000078	R-CHIP;1Kohm,5%,1/10W,TP,1608	1	S.A	
.....5	R135	2007-000078	R-CHIP;1Kohm,5%,1/10W,TP,1608	1	S.A	
.....5	R120	2007-000082	R-CHIP;3.3Kohm,5%,1/10W,TP,1608	1	S.A	
.....5	R117	2007-000090	R-CHIP;10Kohm,5%,1/10W,TP,1608	1	S.A	
.....5	R118	2007-000090	R-CHIP;10Kohm,5%,1/10W,TP,1608	1	S.A	
.....5	R119	2007-000090	R-CHIP;10Kohm,5%,1/10W,TP,1608	1	S.A	
.....5	R134	2007-000090	R-CHIP;10Kohm,5%,1/10W,TP,1608	1	S.A	
.....5	R121	2007-000094	R-CHIP;22Kohm,5%,1/10W,TP,1608	1	S.A	
.....5	R122	2007-000123	R-CHIP;1.5Kohm,5%,1/10W,TP,1608	1	S.A	
.....5	R132	2007-000450	R-CHIP;180ohm,5%,1/10W,TP,1608	1	S.A	
.....5	R123	2007-000745	R-CHIP;30ohm,5%,1/4W,TP,3216	1	S.A	
.....5	R124	2007-000745	R-CHIP;30ohm,5%,1/4W,TP,3216	1	S.A	
.....5	R131	2007-000745	R-CHIP;30ohm,5%,1/4W,TP,3216	1	S.A	
.....5	R102	2007-001164	R-CHIP;75ohm,1%,1/10W,TP,1608	1	S.A	
.....5	R103	2007-001164	R-CHIP;75ohm,1%,1/10W,TP,1608	1	S.A	
.....5	R104	2007-001164	R-CHIP;75ohm,1%,1/10W,TP,1608	1	S.A	
.....5	R111	2007-001164	R-CHIP;75ohm,1%,1/10W,TP,1608	1	S.A	
.....5	C108	2203-000189	C-CER,CHIP;100nF,+80-20%,25V,Y5V,1608	1	S.A	
.....5	C110	2203-000189	C-CER,CHIP;100nF,+80-20%,25V,Y5V,1608	1	S.A	
.....5	C111	2203-000189	C-CER,CHIP;100nF,+80-20%,25V,Y5V,1608	1	S.A	
.....5	C101	2203-000384	C-CER,CHIP;0.015nF,5%,50V,C0G,1608	1	S.A	
.....5	C102	2203-000384	C-CER,CHIP;0.015nF,5%,50V,C0G,1608	1	S.A	
.....5	C103	2203-000783	C-CER,CHIP;0.33nF,5%,50V,C0G,1608	1	S.A	
.....5	C104	2203-000783	C-CER,CHIP;0.33nF,5%,50V,C0G,1608	1	S.A	

Level	Location No.	Code No.	Description & Specification	Q'ty	SA/SNA	Remark
.....5	C113	2203-000783	C-CER,CHIP;0.33nF,5%,50V,C0G,1608	1	S.A	
.....5	C115	2203-000783	C-CER,CHIP;0.33nF,5%,50V,C0G,1608	1	S.A	
.....5	C105	2402-001059	C-AL,SMD;220µF,20%,6.3V,-,TP,6x6.6x6.6	1	S.A	
.....5	C106	2402-001059	C-AL,SMD;220µF,20%,6.3V,-,TP,6x6.6x6.6	1	S.A	
.....5	C109	2402-001178	C-AL,SMD;10uF,20%,16V,WT,TP,4.3x4.3x5.8m	1	S.A	
.....5	C112	2402-001268	C-AL,SMD;100uF,20%,25V,WT,TP,8x6.3mm	1	S.A	
.....5	T0568	3301-001163	BEAD-SMD;80ohm,2012,TP,-,192ohm/867MHz	1	S.N.A	
.....5	T0568	3301-001163	BEAD-SMD;80ohm,2012,TP,-,192ohm/867MHz	1	S.N.A	
.....5	T0568	3301-001163	BEAD-SMD;80ohm,2012,TP,-,192ohm/867MHz	1	S.N.A	
.....5	CN106	3710-002111	SOCKET-BOARD TO BOARD;60P,2R,0.5MM,SMD-S	1	S.A	
.....5	C114	2203-001126	C-CER,CHIP;0.68nF,10%,50V,X7R,1608	1	S.A	
.....5	T0052	2703-001229	INDUCTOR-SMD;2.2uH,10%,1608	1	S.A	
.....5	T0052	2703-001229	INDUCTOR-SMD;2.2uH,10%,1608	1	S.A	
.....5	R112	2007-000070	R-CHIP;0ohm,5%,1/10W,TP,1608	1	S.A	
.....5	R113	2007-000070	R-CHIP;0ohm,5%,1/10W,TP,1608	1	S.A	
.....5	PCB	BP41-00347B	PCB SUB-JACK;spinner JACK,FR-4,4,MP1.1,1	1	S.N.A	
...3	T0137	BP94-02333A	ASSY PCB MISC-LED DRIVER;SPP400BX/EN,SPI	1	S.A	
...4	T0245	0202-001608	SOLDER-WIRE FLUX;LFC7-107,D0.8,99.3Sn/0.	0.003	S.N.A	
...4		BP97-01291A	ASSY SMD-LED DRIVER;SPP400BX/EN,SPINNER	1	S.N.A	
.....5	SUB05	0202-001477	SOLDER-CREAM;LST309-M,-,D20~45um,96.5Sn/	0.446	S.N.A	
.....5	CR1	0401-001090	DIODE-SWITCHING;1SS355,80V,100MA,SOD-323	1	S.A	
.....5	CR5	0401-001090	DIODE-SWITCHING;1SS355,80V,100MA,SOD-323	1	S.A	
.....5	CR6	0401-001090	DIODE-SWITCHING;1SS355,80V,100MA,SOD-323	1	S.A	
.....5	CR7	0401-001090	DIODE-SWITCHING;1SS355,80V,100MA,SOD-323	1	S.A	
.....5	CR3	0403-000613	DIODE-ZENER;VLZ7V5C,7.29/7.67V,500mW,SOD	1	S.N.A	
.....5	Q14	0504-000105	TR-DIGITAL;DTA114EU,PNP,200MW,10K/10K,SC	1	S.A	
.....5	Q16	0504-000105	TR-DIGITAL;DTA114EU,PNP,200MW,10K/10K,SC	1	S.A	
.....5	Q18	0504-000105	TR-DIGITAL;DTA114EU,PNP,200MW,10K/10K,SC	1	S.A	
.....5	Q12	0504-000110	TR-DIGITAL;DTC114EU,NPN,200MW,10K/10K,SC	1	S.A	
.....5	Q13	0504-000110	TR-DIGITAL;DTC114EU,NPN,200MW,10K/10K,SC	1	S.A	
.....5	Q15	0504-000110	TR-DIGITAL;DTC114EU,NPN,200MW,10K/10K,SC	1	S.A	
.....5	Q17	0504-000110	TR-DIGITAL;DTC114EU,NPN,200MW,10K/10K,SC	1	S.A	
.....5	Q8	0504-000110	TR-DIGITAL;DTC114EU,NPN,200MW,10K/10K,SC	1	S.A	
.....5	Q9	0504-000110	TR-DIGITAL;DTC114EU,NPN,200MW,10K/10K,SC	1	S.A	
.....5	Q409	0505-002290	FET-SILICON;Si4430BDY,N,30V,20A,0.0045oh	1	S.A	
.....5	Q409	0505-002290	FET-SILICON;Si4430BDY,N,30V,20A,0.0045oh	1	S.A	
.....5	Q409	0505-002290	FET-SILICON;Si4430BDY,N,30V,20A,0.0045oh	1	S.A	
.....5	Q409	0505-002308	FET-SILICON;Si4630DY,N,25V,40A,0.0027ohm	1	S.A	
.....5	Q409	0505-002308	FET-SILICON;Si4630DY,N,25V,40A,0.0027ohm	1	S.A	
.....5	Q409	0505-002308	FET-SILICON;Si4630DY,N,25V,40A,0.0027ohm	1	S.A	
.....5	IC104	0801-000920	IC-CMOS LOGIC;74HCT125,BUFFER,SOP,14,150	1	S.A	
.....5	IC6	1001-001514	IC-ANALOG SWITCH;TS5A4594DCKR,SC70,5P,2x	1	S.A	
.....5	IC7	1001-001514	IC-ANALOG SWITCH;TS5A4594DCKR,SC70,5P,2x	1	S.A	
.....5	IC8	1001-001514	IC-ANALOG SWITCH;TS5A4594DCKR,SC70,5P,2x	1	S.A	
.....5	DU410	1201-002272	IC-OP AMP;LT1783CS6,SOT-23,TP,6P,2.9x1.6	1	S.A	
.....5	DU410	1201-002272	IC-OP AMP;LT1783CS6,SOT-23,TP,6P,2.9x1.6	1	S.A	
.....5	IC1	1203-005085	IC-DC/DC CONVERTER;LM2737MTCX,TSSOP,14P,	1	S.A	
.....5	R27	2007-000043	R-CHIP;1Kohm,1%,1/10W,TP,1608	1	S.A	

5. Exploded View & Part List

Level	Location No.	Code No.	Description & Specification	Q'ty	SA/SNA	Remark
.....5	R1	2007-000052	R-CHIP;10Kohm,1%,1/10W,TP,1608	1	S.A	
.....5	R14	2007-000052	R-CHIP;10Kohm,1%,1/10W,TP,1608	1	S.A	
.....5	R34	2007-000052	R-CHIP;10Kohm,1%,1/10W,TP,1608	1	S.A	
.....5	R35	2007-000052	R-CHIP;10Kohm,1%,1/10W,TP,1608	1	S.A	
.....5	R36	2007-000052	R-CHIP;10Kohm,1%,1/10W,TP,1608	1	S.A	
.....5	R39	2007-000052	R-CHIP;10Kohm,1%,1/10W,TP,1608	1	S.A	
.....5	R42	2007-000052	R-CHIP;10Kohm,1%,1/10W,TP,1608	1	S.A	
.....5	R43	2007-000052	R-CHIP;10Kohm,1%,1/10W,TP,1608	1	S.A	
.....5	R46	2007-000052	R-CHIP;10Kohm,1%,1/10W,TP,1608	1	S.A	
.....5	R11	2007-000063	R-CHIP;150Kohm,1%,1/10W,TP,1608	1	S.A	
.....5	R13	2007-000070	R-CHIP;0ohm,5%,1/10W,TP,1608	1	S.A	
.....5	R33	2007-000070	R-CHIP;0ohm,5%,1/10W,TP,1608	1	S.A	
.....5	R28	2007-000079	R-CHIP;1.8Kohm,5%,1/10W,TP,1608	1	S.A	
.....5	R15	2007-000308	R-CHIP;10ohm,5%,1/8W,TP,2012	1	S.A	
.....5	R17	2007-000308	R-CHIP;10ohm,5%,1/8W,TP,2012	1	S.A	
.....5	R19	2007-000308	R-CHIP;10ohm,5%,1/8W,TP,2012	1	S.A	
.....5	R3	2007-000491	R-CHIP;2.2Kohm,1%,1/10W,TP,1608	1	S.A	
.....5	R23	2007-000583	R-CHIP;22Kohm,1%,1/10W,TP,1608	1	S.A	
.....5	R2	2007-001038	R-CHIP;56Kohm,1%,1/10W,TP,1608	1	S.A	
.....5	R4	2007-001068	R-CHIP;6.8Kohm,1%,1/10W,TP,1608	1	S.A	
.....5	R5	2007-007069	R-CHIP;0.05ohm,1%,1W,TP,6432	1	S.A	
.....5	R6	2007-007069	R-CHIP;0.05ohm,1%,1W,TP,6432	1	S.A	
.....5	R7	2007-007069	R-CHIP;0.05ohm,1%,1W,TP,6432	1	S.A	
.....5	R8	2007-007069	R-CHIP;0.05ohm,1%,1W,TP,6432	1	S.A	
.....5	C12	2203-000236	C-CER,CHIP;0.1nF,5%,50V,C0G,1608	1	S.A	
.....5	C13	2203-000236	C-CER,CHIP;0.1nF,5%,50V,C0G,1608	1	S.A	
.....5	C18	2203-000236	C-CER,CHIP;0.1nF,5%,50V,C0G,1608	1	S.A	
.....5	C14	2203-000440	C-CER,CHIP;1nF,10%,50V,X7R,1608	1	S.A	
.....5	C26	2203-000560	C-CER,CHIP;220nF,+80-20%,25V,Y5V,1608	1	S.A	
.....5	C5	2203-000560	C-CER,CHIP;220nF,+80-20%,25V,Y5V,1608	1	S.A	
.....5	C11	2203-000783	C-CER,CHIP;0.33nF,5%,50V,C0G,1608	1	S.A	
.....5	C27	2203-005249	C-CER,CHIP;100nF,10%,50V,X7R,1608	1	S.A	
.....5	C28	2203-005249	C-CER,CHIP;100nF,10%,50V,X7R,1608	1	S.A	
.....5	C29	2203-005249	C-CER,CHIP;100nF,10%,50V,X7R,1608	1	S.A	
.....5	C30	2203-005249	C-CER,CHIP;100nF,10%,50V,X7R,1608	1	S.A	
.....5	C31	2203-005249	C-CER,CHIP;100nF,10%,50V,X7R,1608	1	S.A	
.....5	C32	2203-005249	C-CER,CHIP;100nF,10%,50V,X7R,1608	1	S.A	
.....5	C4	2203-005249	C-CER,CHIP;100nF,10%,50V,X7R,1608	1	S.A	
.....5	C6	2203-005249	C-CER,CHIP;100nF,10%,50V,X7R,1608	1	S.A	
.....5	C1	2203-006336	C-CER,CHIP;10000nF,10%,25V,X5R,3216	1	S.A	
.....5	C2	2203-006336	C-CER,CHIP;10000nF,10%,25V,X5R,3216	1	S.A	
.....5	C3	2203-006336	C-CER,CHIP;10000nF,10%,25V,X5R,3216	1	S.A	
.....5	C35	2203-006336	C-CER,CHIP;10000nF,10%,25V,X5R,3216	1	S.A	
.....5	C36	2203-006336	C-CER,CHIP;10000nF,10%,25V,X5R,3216	1	S.A	
.....5	C19	2203-007037	C-CER,CHIP;10000nF,10%,16V,X5R,TP,3216	1	S.A	
.....5	C20	2203-007037	C-CER,CHIP;10000nF,10%,16V,X5R,TP,3216	1	S.A	
.....5	C21	2203-007037	C-CER,CHIP;10000nF,10%,16V,X5R,TP,3216	1	S.A	
.....5	C22	2203-007037	C-CER,CHIP;10000nF,10%,16V,X5R,TP,3216	1	S.A	
.....5	C23	2203-007037	C-CER,CHIP;10000nF,10%,16V,X5R,TP,3216	1	S.A	

Level	Location No.	Code No.	Description & Specification	Q'ty	SA/SNA	Remark
.....5	C24	2203-007037	C-CER,CHIP;10000nF,10%,16V,X5R,TP,3216	1	S.A	
.....5	C25	2203-007037	C-CER,CHIP;10000nF,10%,16V,X5R,TP,3216	1	S.A	
.....5	C9	2203-007037	C-CER,CHIP;10000nF,10%,16V,X5R,TP,3216	1	S.A	
.....5	T0052	2703-002042	INDUCTOR-SMD;1UH,20%,13.0X13.0MM	1	S.N.A	
.....5	CN330	3711-000386	HEADER-BOARD TO CABLE;BOX,10P,1R,1.25MM,	1	S.A	
.....5	CN330	3711-006711	HEADER-BOARD TO CABLE;BOX,8P,1R,1.5mm,SM	1	S.A	
.....5	CN330	3711-006711	HEADER-BOARD TO CABLE;BOX,8P,1R,1.5mm,SM	1	S.A	
.....5	CN330	3711-006711	HEADER-BOARD TO CABLE;BOX,8P,1R,1.5mm,SM	1	S.A	
.....5	CN330	3711-006712	HEADER-BOARD TO CABLE;BOX,14P,1R,1.25mm,	1	S.A	
.....5	PCB	BP41-00345A	PCB SUB-LED;spinner LED,FR-4,6,MP1.0,1.6	1	S.N.A	
.....5	R29	2007-000816	R-CHIP;390Kohm,1%,1/10W,TP,1608	1	S.A	
.....5	R37	2007-000816	R-CHIP;390Kohm,1%,1/10W,TP,1608	1	S.A	
.....5	R40	2007-000816	R-CHIP;390Kohm,1%,1/10W,TP,1608	1	S.A	
.....5	R44	2007-000816	R-CHIP;390Kohm,1%,1/10W,TP,1608	1	S.A	
...3	T0079	BP94-02334A	ASSY PCB MISC-MAIN;SPP400BX/EN,SPINNER	1	S.A	
...4	T0245	0202-001608	SOLDER-WIRE FLUX;LFC7-107,D0.8,99.3Sn/0.	0.025	S.N.A	
...4	T0510	BP97-01292A	ASSY SMD-MAIN;SPP400BX/EN,SPINNER	1	S.N.A	
.....5	SUB05	0202-001477	SOLDER-CREAM;LST309-M,-,D20~45um,96.5Sn/	1.719	S.N.A	
.....5	D401	0401-001056	DIODE-SWITCHING;MMBD4148SE,100V,200mA,SO	1	S.A	
.....5	D402	0401-001056	DIODE-SWITCHING;MMBD4148SE,100V,200mA,SO	1	S.A	
.....5	D403	0401-001056	DIODE-SWITCHING;MMBD4148SE,100V,200mA,SO	1	S.A	
.....5	D404	0401-001056	DIODE-SWITCHING;MMBD4148SE,100V,200mA,SO	1	S.A	
.....5	D108	0402-001614	DIODE-RECTIFIER;S1G,400V,1A,DO-214AC,TP	1	S.A	
.....5	D109	0402-001614	DIODE-RECTIFIER;S1G,400V,1A,DO-214AC,TP	1	S.A	
.....5	D601	0403-001282	DIODE-ZENER;BZT52-C15,13.8-15.6,410mW,SO	1	S.A	
.....5	D604	0403-001282	DIODE-ZENER;BZT52-C15,13.8-15.6,410mW,SO	1	S.A	
.....5	D0254	0404-001166	DIODE-SCHOTTKY;MBRM130LT3,30V,1000MA,DO-	1	S.A	
.....5	D0254	0404-001166	DIODE-SCHOTTKY;MBRM130LT3,30V,1000MA,DO-	1	S.A	
.....5	D0254	0404-001166	DIODE-SCHOTTKY;MBRM130LT3,30V,1000MA,DO-	1	S.A	
.....5	D0254	0404-001166	DIODE-SCHOTTKY;MBRM130LT3,30V,1000MA,DO-	1	S.A	
.....5	D0254	0404-001166	DIODE-SCHOTTKY;MBRM130LT3,30V,1000MA,DO-	1	S.A	
.....5	D0254	0404-001219	DIODE-SCHOTTKY;SS29,90V,1500mA,DO-214AA,	1	S.A	
.....5	D0254	0404-001219	DIODE-SCHOTTKY;SS29,90V,1500mA,DO-214AA,	1	S.A	
.....5	Q101	0501-000445	TR-SMALL SIGNAL;KTC3875S-Y,NPN,150mW,SOT	1	S.A	
.....5	Q401	0501-000445	TR-SMALL SIGNAL;KTC3875S-Y,NPN,150mW,SOT	1	S.A	
.....5	Q402	0501-000445	TR-SMALL SIGNAL;KTC3875S-Y,NPN,150mW,SOT	1	S.A	
.....5	Q409	0505-000110	FET-SILICON;2N7002,N,60V,115mA,7.5ohm,0.	1	S.A	
.....5	Q409	0505-000110	FET-SILICON;2N7002,N,60V,115mA,7.5ohm,0.	1	S.A	
.....5	Q409	0505-002169	FET-SILICON;Si4435BDY-T1-E3,P,-30V,-9.1A	1	S.N.A	
.....5	IC104	0801-002487	IC-CMOS LOGIC;7SZ126,BUFFER,SOT-353,5P,4	1	S.A	
.....5	IC104	0801-002487	IC-CMOS LOGIC;7SZ126,BUFFER,SOT-353,5P,4	1	S.A	
.....5	IC104	0801-002765	IC-CMOS LOGIC;74LVC1G07,SINGLE BUFFER/DR	1	S.A	
.....5	IC108	1002-001398	IC-A/D CONVERTER;MST9883CR-110,24Bit(8x3	1	S.A	
.....5	IC108	1002-001444	IC-A/D CONVERTER;ADS7828E/2K5G4*,12bit,T	1	S.A	
.....5	IC601	1003-001892	IC-POWER DRIVER;DAD2000,PQFP,80P,12x12mm	1	S.A	
.....5	IC112	1103-001279	IC-EEPROM;24C32,32Kbit,4Kx8Bit,SOP,8P,5x	1	S.A	
.....5	IC113	1105-001585	IC-DRAM;M12L64164, K4S641632,-,64Mbit,4x	1	S.A	
.....5	IC113	1105-001819	IC-DRAM;K4Y50084UE,XDR,512Mbit,64Mx8,FBG	1	S.A	
.....5	IC404	1202-000104	IC-VOLTAGE COMP;393,SOP,8P,150MIL,DUAL,	1	S.A	

5. Exploded View & Part List

Level	Location No.	Code No.	Description & Specification	Q'ty	SA/SNA	Remark
.....5	T0087	1203-002186	IC-POSI.FIXED REG.;18,DPAK,3P,240MIL,PLA	1	S.A	
.....5	T0087	1203-002351	IC-POSI.FIXED REG.;LF25C,DPAK,3P,240MIL,	1	S.A	
.....5	T0170	1203-003059	IC-SWITCH VOL. REG.;MP1583,SOIC,8P,4.9x3	1	S.A	
.....5	T0170	1203-003059	IC-SWITCH VOL. REG.;MP1583,SOIC,8P,4.9x3	1	S.A	
.....5	T0170	1203-003059	IC-SWITCH VOL. REG.;MP1583,SOIC,8P,4.9x3	1	S.A	
.....5	T0170	1203-003059	IC-SWITCH VOL. REG.;MP1583,SOIC,8P,4.9x3	1	S.A	
.....5	T0170	1203-003059	IC-SWITCH VOL. REG.;MP1583,SOIC,8P,4.9x3	1	S.A	
.....5	T0087	1203-004169	IC-POSI.FIXED REG.;G78D12A,TO-252,3P,6.7	1	S.A	
.....5	T0087	1203-004169	IC-POSI.FIXED REG.;G78D12A,TO-252,3P,6.7	1	S.A	
.....5	IC118	1204-002772	IC-VIDEO PROCESS;DDP2230(2507605),EPBGA,	1	S.A	
.....5	IC201	1204-002776	IC-VIDEO DECODER;TVP5146M2PFP,HTQFP,80P	1	S.A	
.....5	IC702	1205-003284	IC-CLOCK GENERATOR;CDCD5704PWR,TSSOP,28P	1	S.A	
.....5	IC701	1209-001747	IC-PLL/SYNTHESIZER;CDCDLP223PWR,TSSOP,20	1	S.A	
.....5	R705	2007-000040	R-CHIP;150ohm,1%,1/10W,TP,1608	1	S.A	
.....5	R706	2007-000040	R-CHIP;150ohm,1%,1/10W,TP,1608	1	S.A	
.....5	R820	2007-000040	R-CHIP;150ohm,1%,1/10W,TP,1608	1	S.A	
.....5	R102	2007-000052	R-CHIP;10Kohm,1%,1/10W,TP,1608	1	S.A	
.....5	R104	2007-000052	R-CHIP;10Kohm,1%,1/10W,TP,1608	1	S.A	
.....5	R111	2007-000060	R-CHIP;100Kohm,1%,1/10W,TP,1608	1	S.A	
.....5	R201	2007-000060	R-CHIP;100Kohm,1%,1/10W,TP,1608	1	S.A	
.....5	R105	2007-000066	R-CHIP;20Kohm,1%,1/10W,TP,1608	1	S.A	
.....5	R1017	2007-000067	R-CHIP;15Kohm,1%,1/10W,TP,1608	1	S.A	
.....5	R1018	2007-000067	R-CHIP;15Kohm,1%,1/10W,TP,1608	1	S.A	
.....5	R1020	2007-000067	R-CHIP;15Kohm,1%,1/10W,TP,1608	1	S.A	
.....5	R114	2007-000067	R-CHIP;15Kohm,1%,1/10W,TP,1608	1	S.A	
.....5	R126	2007-000070	R-CHIP;0ohm,5%,1/10W,TP,1608	1	S.A	
.....5	R237	2007-000070	R-CHIP;0ohm,5%,1/10W,TP,1608	1	S.A	
.....5	R238	2007-000070	R-CHIP;0ohm,5%,1/10W,TP,1608	1	S.A	
.....5	R405	2007-000070	R-CHIP;0ohm,5%,1/10W,TP,1608	1	S.A	
.....5	R406	2007-000070	R-CHIP;0ohm,5%,1/10W,TP,1608	1	S.A	
.....5	R407	2007-000070	R-CHIP;0ohm,5%,1/10W,TP,1608	1	S.A	
.....5	R408	2007-000070	R-CHIP;0ohm,5%,1/10W,TP,1608	1	S.A	
.....5	R471	2007-000070	R-CHIP;0ohm,5%,1/10W,TP,1608	1	S.A	
.....5	R516	2007-000070	R-CHIP;0ohm,5%,1/10W,TP,1608	1	S.A	
.....5	R517	2007-000070	R-CHIP;0ohm,5%,1/10W,TP,1608	1	S.A	
.....5	R524	2007-000070	R-CHIP;0ohm,5%,1/10W,TP,1608	1	S.A	
.....5	R901	2007-000070	R-CHIP;0ohm,5%,1/10W,TP,1608	1	S.A	
.....5	R902	2007-000070	R-CHIP;0ohm,5%,1/10W,TP,1608	1	S.A	
.....5	R235	2007-000072	R-CHIP;47ohm,5%,1/10W,TP,1608	1	S.A	
.....5	R1015	2007-000074	R-CHIP;100ohm,5%,1/10W,TP,1608	1	S.A	
.....5	R1016	2007-000074	R-CHIP;100ohm,5%,1/10W,TP,1608	1	S.A	
.....5	R821	2007-000074	R-CHIP;100ohm,5%,1/10W,TP,1608	1	S.A	
.....5	R468	2007-000075	R-CHIP;220ohm,5%,1/10W,TP,1608	1	S.A	
.....5	R469	2007-000075	R-CHIP;220ohm,5%,1/10W,TP,1608	1	S.A	
.....5	R321	2007-000078	R-CHIP;1Kohm,5%,1/10W,TP,1608	1	S.A	
.....5	R401	2007-000078	R-CHIP;1Kohm,5%,1/10W,TP,1608	1	S.A	
.....5	R402	2007-000078	R-CHIP;1Kohm,5%,1/10W,TP,1608	1	S.A	
.....5	R409	2007-000078	R-CHIP;1Kohm,5%,1/10W,TP,1608	1	S.A	
.....5	R410	2007-000078	R-CHIP;1Kohm,5%,1/10W,TP,1608	1	S.A	

Level	Location No.	Code No.	Description & Specification	Q'ty	SA/SNA	Remark
.....5	R430	2007-000078	R-CHIP;1Kohm,5%,1/10W,TP,1608	1	S.A	
.....5	R523	2007-000078	R-CHIP;1Kohm,5%,1/10W,TP,1608	1	S.A	
.....5	R535	2007-000078	R-CHIP;1Kohm,5%,1/10W,TP,1608	1	S.A	
.....5	R601	2007-000078	R-CHIP;1Kohm,5%,1/10W,TP,1608	1	S.A	
.....5	R602	2007-000078	R-CHIP;1Kohm,5%,1/10W,TP,1608	1	S.A	
.....5	R425	2007-000079	R-CHIP;1.8Kohm,5%,1/10W,TP,1608	1	S.A	
.....5	R426	2007-000079	R-CHIP;1.8Kohm,5%,1/10W,TP,1608	1	S.A	
.....5	R465	2007-000079	R-CHIP;1.8Kohm,5%,1/10W,TP,1608	1	S.A	
.....5	R466	2007-000079	R-CHIP;1.8Kohm,5%,1/10W,TP,1608	1	S.A	
.....5	R467	2007-000079	R-CHIP;1.8Kohm,5%,1/10W,TP,1608	1	S.A	
.....5	R205	2007-000080	R-CHIP;2Kohm,5%,1/10W,TP,1608	1	S.A	
.....5	R212	2007-000080	R-CHIP;2Kohm,5%,1/10W,TP,1608	1	S.A	
.....5	R482	2007-000080	R-CHIP;2Kohm,5%,1/10W,TP,1608	1	S.A	
.....5	R483	2007-000080	R-CHIP;2Kohm,5%,1/10W,TP,1608	1	S.A	
.....5	R236	2007-000081	R-CHIP;2.7Kohm,5%,1/10W,TP,1608	1	S.A	
.....5	R323	2007-000082	R-CHIP;3.3Kohm,5%,1/10W,TP,1608	1	S.A	
.....5	R455	2007-000082	R-CHIP;3.3Kohm,5%,1/10W,TP,1608	1	S.A	
.....5	R461	2007-000082	R-CHIP;3.3Kohm,5%,1/10W,TP,1608	1	S.A	
.....5	R462	2007-000082	R-CHIP;3.3Kohm,5%,1/10W,TP,1608	1	S.A	
.....5	R603	2007-000082	R-CHIP;3.3Kohm,5%,1/10W,TP,1608	1	S.A	
.....5	R604	2007-000082	R-CHIP;3.3Kohm,5%,1/10W,TP,1608	1	S.A	
.....5	R101	2007-000084	R-CHIP;4.7Kohm,5%,1/10W,TP,1608	1	S.A	
.....5	R103	2007-000084	R-CHIP;4.7Kohm,5%,1/10W,TP,1608	1	S.A	
.....5	R106	2007-000084	R-CHIP;4.7Kohm,5%,1/10W,TP,1608	1	S.A	
.....5	R112	2007-000084	R-CHIP;4.7Kohm,5%,1/10W,TP,1608	1	S.A	
.....5	R119	2007-000084	R-CHIP;4.7Kohm,5%,1/10W,TP,1608	1	S.A	
.....5	R301	2007-000084	R-CHIP;4.7Kohm,5%,1/10W,TP,1608	1	S.A	
.....5	R302	2007-000084	R-CHIP;4.7Kohm,5%,1/10W,TP,1608	1	S.A	
.....5	R303	2007-000084	R-CHIP;4.7Kohm,5%,1/10W,TP,1608	1	S.A	
.....5	R304	2007-000084	R-CHIP;4.7Kohm,5%,1/10W,TP,1608	1	S.A	
.....5	R305	2007-000084	R-CHIP;4.7Kohm,5%,1/10W,TP,1608	1	S.A	
.....5	R329	2007-000084	R-CHIP;4.7Kohm,5%,1/10W,TP,1608	1	S.A	
.....5	R330	2007-000084	R-CHIP;4.7Kohm,5%,1/10W,TP,1608	1	S.A	
.....5	R522	2007-000084	R-CHIP;4.7Kohm,5%,1/10W,TP,1608	1	S.A	
.....5	R528	2007-000084	R-CHIP;4.7Kohm,5%,1/10W,TP,1608	1	S.A	
.....5	R550	2007-000084	R-CHIP;4.7Kohm,5%,1/10W,TP,1608	1	S.A	
.....5	R702	2007-000084	R-CHIP;4.7Kohm,5%,1/10W,TP,1608	1	S.A	
.....5	R720	2007-000084	R-CHIP;4.7Kohm,5%,1/10W,TP,1608	1	S.A	
.....5	R721	2007-000084	R-CHIP;4.7Kohm,5%,1/10W,TP,1608	1	S.A	
.....5	R1008	2007-000090	R-CHIP;10Kohm,5%,1/10W,TP,1608	1	S.A	
.....5	R1009	2007-000090	R-CHIP;10Kohm,5%,1/10W,TP,1608	1	S.A	
.....5	R214	2007-000090	R-CHIP;10Kohm,5%,1/10W,TP,1608	1	S.A	
.....5	R217	2007-000090	R-CHIP;10Kohm,5%,1/10W,TP,1608	1	S.A	
.....5	R228	2007-000090	R-CHIP;10Kohm,5%,1/10W,TP,1608	1	S.A	
.....5	R234	2007-000090	R-CHIP;10Kohm,5%,1/10W,TP,1608	1	S.A	
.....5	R480	2007-000090	R-CHIP;10Kohm,5%,1/10W,TP,1608	1	S.A	
.....5	R518	2007-000090	R-CHIP;10Kohm,5%,1/10W,TP,1608	1	S.A	
.....5	R519	2007-000090	R-CHIP;10Kohm,5%,1/10W,TP,1608	1	S.A	
.....5	R521	2007-000090	R-CHIP;10Kohm,5%,1/10W,TP,1608	1	S.A	

5. Exploded View & Part List

Level	Location No.	Code No.	Description & Specification	Q'ty	SA/SNA	Remark
.....5	R525	2007-000090	R-CHIP;10Kohm,5%,1/10W,TP,1608	1	S.A	
.....5	R526	2007-000090	R-CHIP;10Kohm,5%,1/10W,TP,1608	1	S.A	
.....5	R527	2007-000090	R-CHIP;10Kohm,5%,1/10W,TP,1608	1	S.A	
.....5	R529	2007-000090	R-CHIP;10Kohm,5%,1/10W,TP,1608	1	S.A	
.....5	R532	2007-000090	R-CHIP;10Kohm,5%,1/10W,TP,1608	1	S.A	
.....5	R533	2007-000090	R-CHIP;10Kohm,5%,1/10W,TP,1608	1	S.A	
.....5	R534	2007-000090	R-CHIP;10Kohm,5%,1/10W,TP,1608	1	S.A	
.....5	R802	2007-000090	R-CHIP;10Kohm,5%,1/10W,TP,1608	1	S.A	
.....5	R836	2007-000090	R-CHIP;10Kohm,5%,1/10W,TP,1608	1	S.A	
.....5	R470	2007-000098	R-CHIP;56Kohm,5%,1/10W,TP,1608	1	S.A	
.....5	R472	2007-000098	R-CHIP;56Kohm,5%,1/10W,TP,1608	1	S.A	
.....5	R473	2007-000098	R-CHIP;56Kohm,5%,1/10W,TP,1608	1	S.A	
.....5	R1010	2007-000113	R-CHIP;33ohm,5%,1/10W,TP,1608	1	S.A	
.....5	R549	2007-000113	R-CHIP;33ohm,5%,1/10W,TP,1608	1	S.A	
.....5	R109	2007-000119	R-CHIP;560ohm,5%,1/10W,TP,1608	1	S.A	
.....5	R481	2007-000124	R-CHIP;2.2Kohm,5%,1/10W,TP,1608	1	S.A	
.....5	R1011	2007-000129	R-CHIP;27Kohm,5%,1/10W,TP,1608	1	S.A	
.....5	R1012	2007-000129	R-CHIP;27Kohm,5%,1/10W,TP,1608	1	S.A	
.....5	R830	2007-000239	R-CHIP;1.5Kohm,1%,1/10W,TP,1608	1	S.A	
.....5	R226	2007-000309	R-CHIP;10ohm,5%,1/10W,TP,1608	1	S.A	
.....5	R227	2007-000309	R-CHIP;10ohm,5%,1/10W,TP,1608	1	S.A	
.....5	R1019	2007-000458	R-CHIP;18Kohm,5%,1/10W,TP,1608	1	S.A	
.....5	R108	2007-000683	R-CHIP;3.3Kohm,1%,1/10W,TP,1608	1	S.A	
.....5	R121	2007-000683	R-CHIP;3.3Kohm,1%,1/10W,TP,1608	1	S.A	
.....5	R206	2007-000779	R-CHIP;33ohm,1%,1/10W,TP,1608	1	S.A	
.....5	R216	2007-000779	R-CHIP;33ohm,1%,1/10W,TP,1608	1	S.A	
.....5	R245	2007-000779	R-CHIP;33ohm,1%,1/10W,TP,1608	1	S.A	
.....5	R246	2007-000779	R-CHIP;33ohm,1%,1/10W,TP,1608	1	S.A	
.....5	R250	2007-000779	R-CHIP;33ohm,1%,1/10W,TP,1608	1	S.A	
.....5	R251	2007-000779	R-CHIP;33ohm,1%,1/10W,TP,1608	1	S.A	
.....5	R252	2007-000779	R-CHIP;33ohm,1%,1/10W,TP,1608	1	S.A	
.....5	R322	2007-000779	R-CHIP;33ohm,1%,1/10W,TP,1608	1	S.A	
.....5	R324	2007-000779	R-CHIP;33ohm,1%,1/10W,TP,1608	1	S.A	
.....5	R325	2007-000779	R-CHIP;33ohm,1%,1/10W,TP,1608	1	S.A	
.....5	R326	2007-000779	R-CHIP;33ohm,1%,1/10W,TP,1608	1	S.A	
.....5	R327	2007-000779	R-CHIP;33ohm,1%,1/10W,TP,1608	1	S.A	
.....5	R328	2007-000779	R-CHIP;33ohm,1%,1/10W,TP,1608	1	S.A	
.....5	R1013	2007-000939	R-CHIP;47Kohm,1%,1/10W,TP,1608	1	S.A	
.....5	R1014	2007-000939	R-CHIP;47Kohm,1%,1/10W,TP,1608	1	S.A	
.....5	R110	2007-000939	R-CHIP;47Kohm,1%,1/10W,TP,1608	1	S.A	
.....5	R113	2007-000939	R-CHIP;47Kohm,1%,1/10W,TP,1608	1	S.A	
.....5	R107	2007-000979	R-CHIP;5.6Kohm,1%,1/10W,TP,1608	1	S.A	
.....5	R120	2007-000979	R-CHIP;5.6Kohm,1%,1/10W,TP,1608	1	S.A	
.....5	R247	2007-001131	R-CHIP;68ohm,1%,1/10W,TP,1608	1	S.A	
.....5	R248	2007-001131	R-CHIP;68ohm,1%,1/10W,TP,1608	1	S.A	
.....5	R249	2007-001131	R-CHIP;68ohm,1%,1/10W,TP,1608	1	S.A	
.....5	R828	2007-001131	R-CHIP;68ohm,1%,1/10W,TP,1608	1	S.A	
.....5	R819	2007-001164	R-CHIP;75ohm,1%,1/10W,TP,1608	1	S.A	
.....5	R122	2007-002425	R-CHIP;1ohm,5%,1/10W,TP,1608	1	S.A	

5. Exploded View & Part List

Level	Location No.	Code No.	Description & Specification	Q'ty	SA/SNA	Remark
.....5	R123	2007-002425	R-CHIP;1ohm,5%,1/10W,TP,1608	1	S.A	
.....5	R124	2007-002425	R-CHIP;1ohm,5%,1/10W,TP,1608	1	S.A	
.....5	R125	2007-002425	R-CHIP;1ohm,5%,1/10W,TP,1608	1	S.A	
.....5	R503	2007-002913	R-CHIP;33.2ohm,1%,1/10W,TP,1608	1	S.A	
.....5	R504	2007-002913	R-CHIP;33.2ohm,1%,1/10W,TP,1608	1	S.A	
.....5	R508	2007-002913	R-CHIP;33.2ohm,1%,1/10W,TP,1608	1	S.A	
.....5	R509	2007-002913	R-CHIP;33.2ohm,1%,1/10W,TP,1608	1	S.A	
.....5	R510	2007-002913	R-CHIP;33.2ohm,1%,1/10W,TP,1608	1	S.A	
.....5	R511	2007-002913	R-CHIP;33.2ohm,1%,1/10W,TP,1608	1	S.A	
.....5	R512	2007-002913	R-CHIP;33.2ohm,1%,1/10W,TP,1608	1	S.A	
.....5	R513	2007-002913	R-CHIP;33.2ohm,1%,1/10W,TP,1608	1	S.A	
.....5	R514	2007-002913	R-CHIP;33.2ohm,1%,1/10W,TP,1608	1	S.A	
.....5	R515	2007-002913	R-CHIP;33.2ohm,1%,1/10W,TP,1608	1	S.A	
.....5	R707	2007-002913	R-CHIP;33.2ohm,1%,1/10W,TP,1608	1	S.A	
.....5	R708	2007-002913	R-CHIP;33.2ohm,1%,1/10W,TP,1608	1	S.A	
.....5	R701	2007-007226	R-CHIP;49.9ohm,1%,1/10W,TP,1608	1	S.A	
.....5	R709	2007-007226	R-CHIP;49.9ohm,1%,1/10W,TP,1608	1	S.A	
.....5	R710	2007-007226	R-CHIP;49.9ohm,1%,1/10W,TP,1608	1	S.A	
.....5	R711	2007-007226	R-CHIP;49.9ohm,1%,1/10W,TP,1608	1	S.A	
.....5	R713	2007-007226	R-CHIP;49.9ohm,1%,1/10W,TP,1608	1	S.A	
.....5	R817	2007-007226	R-CHIP;49.9ohm,1%,1/10W,TP,1608	1	S.A	
.....5	R818	2007-007226	R-CHIP;49.9ohm,1%,1/10W,TP,1608	1	S.A	
.....5	R831	2007-007226	R-CHIP;49.9ohm,1%,1/10W,TP,1608	1	S.A	
.....5	R832	2007-007226	R-CHIP;49.9ohm,1%,1/10W,TP,1608	1	S.A	
.....5	R479	2007-007297	R-CHIP;110ohm,1%,1/10W,TP,1608	1	S.A	
.....5	R823	2007-007546	R-CHIP;169ohm,1%,1/10W,TP,1608	1	S.N.A	
.....5	R825	2007-007546	R-CHIP;169ohm,1%,1/10W,TP,1608	1	S.N.A	
.....5	R805	2007-007548	R-CHIP;39.2ohm,1%,1/10W,TP,1608	1	S.A	
.....5	R806	2007-007548	R-CHIP;39.2ohm,1%,1/10W,TP,1608	1	S.A	
.....5	R807	2007-007548	R-CHIP;39.2ohm,1%,1/10W,TP,1608	1	S.A	
.....5	R808	2007-007548	R-CHIP;39.2ohm,1%,1/10W,TP,1608	1	S.A	
.....5	R809	2007-007548	R-CHIP;39.2ohm,1%,1/10W,TP,1608	1	S.A	
.....5	R810	2007-007548	R-CHIP;39.2ohm,1%,1/10W,TP,1608	1	S.A	
.....5	R811	2007-007548	R-CHIP;39.2ohm,1%,1/10W,TP,1608	1	S.A	
.....5	R812	2007-007548	R-CHIP;39.2ohm,1%,1/10W,TP,1608	1	S.A	
.....5	R813	2007-007548	R-CHIP;39.2ohm,1%,1/10W,TP,1608	1	S.A	
.....5	R814	2007-007548	R-CHIP;39.2ohm,1%,1/10W,TP,1608	1	S.A	
.....5	R815	2007-007548	R-CHIP;39.2ohm,1%,1/10W,TP,1608	1	S.A	
.....5	R816	2007-007548	R-CHIP;39.2ohm,1%,1/10W,TP,1608	1	S.A	
.....5	R829	2007-007548	R-CHIP;39.2ohm,1%,1/10W,TP,1608	1	S.A	
.....5	R833	2007-007548	R-CHIP;39.2ohm,1%,1/10W,TP,1608	1	S.A	
.....5	R834	2007-007548	R-CHIP;39.2ohm,1%,1/10W,TP,1608	1	S.A	
.....5	R835	2007-007548	R-CHIP;39.2ohm,1%,1/10W,TP,1608	1	S.A	
.....5	R722	2007-007724	R-CHIP;40.2ohm,1%,1/10W,TP,1608	1	S.A	
.....5	R724	2007-007724	R-CHIP;40.2ohm,1%,1/10W,TP,1608	1	S.A	
.....5	R822	2007-008169	R-CHIP;52.3ohm,1%,1/10W,TP,1608	1	S.N.A	
.....5	R824	2007-008169	R-CHIP;52.3ohm,1%,1/10W,TP,1608	1	S.N.A	
.....5	RA237	2011-001261	R-NETWORK;33ohm,5%,1/16W,L,CHIP,8P,TP,2.	1	S.A	
.....5	RA238	2011-001261	R-NETWORK;33ohm,5%,1/16W,L,CHIP,8P,TP,2.	1	S.A	

5. Exploded View & Part List

Level	Location No.	Code No.	Description & Specification	Q'ty	SA/SNA	Remark
.....5	RA239	2011-001261	R-NETWORK;33ohm,5%,1/16W,L,CHIP,8P,TP,2.	1	S.A	
.....5	RA240	2011-001261	R-NETWORK;33ohm,5%,1/16W,L,CHIP,8P,TP,2.	1	S.A	
.....5	RA241	2011-001261	R-NETWORK;33ohm,5%,1/16W,L,CHIP,8P,TP,2.	1	S.A	
.....5	RA242	2011-001261	R-NETWORK;33ohm,5%,1/16W,L,CHIP,8P,TP,2.	1	S.A	
.....5	RA243	2011-001261	R-NETWORK;33ohm,5%,1/16W,L,CHIP,8P,TP,2.	1	S.A	
.....5	RA244	2011-001261	R-NETWORK;33ohm,5%,1/16W,L,CHIP,8P,TP,2.	1	S.A	
.....5	C1001	2203-000189	C-CER,CHIP;100nF,+80-20%,25V,Y5V,1608	1	S.A	
.....5	C1016	2203-000189	C-CER,CHIP;100nF,+80-20%,25V,Y5V,1608	1	S.A	
.....5	C1017	2203-000189	C-CER,CHIP;100nF,+80-20%,25V,Y5V,1608	1	S.A	
.....5	C1025	2203-000189	C-CER,CHIP;100nF,+80-20%,25V,Y5V,1608	1	S.A	
.....5	C1026	2203-000189	C-CER,CHIP;100nF,+80-20%,25V,Y5V,1608	1	S.A	
.....5	C121	2203-000189	C-CER,CHIP;100nF,+80-20%,25V,Y5V,1608	1	S.A	
.....5	C135	2203-000189	C-CER,CHIP;100nF,+80-20%,25V,Y5V,1608	1	S.A	
.....5	C141	2203-000189	C-CER,CHIP;100nF,+80-20%,25V,Y5V,1608	1	S.A	
.....5	C143	2203-000189	C-CER,CHIP;100nF,+80-20%,25V,Y5V,1608	1	S.A	
.....5	C145	2203-000189	C-CER,CHIP;100nF,+80-20%,25V,Y5V,1608	1	S.A	
.....5	C204	2203-000189	C-CER,CHIP;100nF,+80-20%,25V,Y5V,1608	1	S.A	
.....5	C205	2203-000189	C-CER,CHIP;100nF,+80-20%,25V,Y5V,1608	1	S.A	
.....5	C206	2203-000189	C-CER,CHIP;100nF,+80-20%,25V,Y5V,1608	1	S.A	
.....5	C207	2203-000189	C-CER,CHIP;100nF,+80-20%,25V,Y5V,1608	1	S.A	
.....5	C208	2203-000189	C-CER,CHIP;100nF,+80-20%,25V,Y5V,1608	1	S.A	
.....5	C209	2203-000189	C-CER,CHIP;100nF,+80-20%,25V,Y5V,1608	1	S.A	
.....5	C210	2203-000189	C-CER,CHIP;100nF,+80-20%,25V,Y5V,1608	1	S.A	
.....5	C211	2203-000189	C-CER,CHIP;100nF,+80-20%,25V,Y5V,1608	1	S.A	
.....5	C212	2203-000189	C-CER,CHIP;100nF,+80-20%,25V,Y5V,1608	1	S.A	
.....5	C213	2203-000189	C-CER,CHIP;100nF,+80-20%,25V,Y5V,1608	1	S.A	
.....5	C214	2203-000189	C-CER,CHIP;100nF,+80-20%,25V,Y5V,1608	1	S.A	
.....5	C215	2203-000189	C-CER,CHIP;100nF,+80-20%,25V,Y5V,1608	1	S.A	
.....5	C216	2203-000189	C-CER,CHIP;100nF,+80-20%,25V,Y5V,1608	1	S.A	
.....5	C217	2203-000189	C-CER,CHIP;100nF,+80-20%,25V,Y5V,1608	1	S.A	
.....5	C218	2203-000189	C-CER,CHIP;100nF,+80-20%,25V,Y5V,1608	1	S.A	
.....5	C219	2203-000189	C-CER,CHIP;100nF,+80-20%,25V,Y5V,1608	1	S.A	
.....5	C220	2203-000189	C-CER,CHIP;100nF,+80-20%,25V,Y5V,1608	1	S.A	
.....5	C225	2203-000189	C-CER,CHIP;100nF,+80-20%,25V,Y5V,1608	1	S.A	
.....5	C226	2203-000189	C-CER,CHIP;100nF,+80-20%,25V,Y5V,1608	1	S.A	
.....5	C227	2203-000189	C-CER,CHIP;100nF,+80-20%,25V,Y5V,1608	1	S.A	
.....5	C228	2203-000189	C-CER,CHIP;100nF,+80-20%,25V,Y5V,1608	1	S.A	
.....5	C229	2203-000189	C-CER,CHIP;100nF,+80-20%,25V,Y5V,1608	1	S.A	
.....5	C230	2203-000189	C-CER,CHIP;100nF,+80-20%,25V,Y5V,1608	1	S.A	
.....5	C231	2203-000189	C-CER,CHIP;100nF,+80-20%,25V,Y5V,1608	1	S.A	
.....5	C232	2203-000189	C-CER,CHIP;100nF,+80-20%,25V,Y5V,1608	1	S.A	
.....5	C233	2203-000189	C-CER,CHIP;100nF,+80-20%,25V,Y5V,1608	1	S.A	
.....5	C238	2203-000189	C-CER,CHIP;100nF,+80-20%,25V,Y5V,1608	1	S.A	
.....5	C239	2203-000189	C-CER,CHIP;100nF,+80-20%,25V,Y5V,1608	1	S.A	
.....5	C243	2203-000189	C-CER,CHIP;100nF,+80-20%,25V,Y5V,1608	1	S.A	
.....5	C244	2203-000189	C-CER,CHIP;100nF,+80-20%,25V,Y5V,1608	1	S.A	
.....5	C246	2203-000189	C-CER,CHIP;100nF,+80-20%,25V,Y5V,1608	1	S.A	
.....5	C247	2203-000189	C-CER,CHIP;100nF,+80-20%,25V,Y5V,1608	1	S.A	
.....5	C248	2203-000189	C-CER,CHIP;100nF,+80-20%,25V,Y5V,1608	1	S.A	

Level	Location No.	Code No.	Description & Specification	Q'ty	SA/SNA	Remark
.....5	C249	2203-000189	C-CER,CHIP;100nF,+80-20%,25V,Y5V,1608	1	S.A	
.....5	C250	2203-000189	C-CER,CHIP;100nF,+80-20%,25V,Y5V,1608	1	S.A	
.....5	C251	2203-000189	C-CER,CHIP;100nF,+80-20%,25V,Y5V,1608	1	S.A	
.....5	C252	2203-000189	C-CER,CHIP;100nF,+80-20%,25V,Y5V,1608	1	S.A	
.....5	C253	2203-000189	C-CER,CHIP;100nF,+80-20%,25V,Y5V,1608	1	S.A	
.....5	C254	2203-000189	C-CER,CHIP;100nF,+80-20%,25V,Y5V,1608	1	S.A	
.....5	C255	2203-000189	C-CER,CHIP;100nF,+80-20%,25V,Y5V,1608	1	S.A	
.....5	C256	2203-000189	C-CER,CHIP;100nF,+80-20%,25V,Y5V,1608	1	S.A	
.....5	C401	2203-000189	C-CER,CHIP;100nF,+80-20%,25V,Y5V,1608	1	S.A	
.....5	C403	2203-000189	C-CER,CHIP;100nF,+80-20%,25V,Y5V,1608	1	S.A	
.....5	C405	2203-000189	C-CER,CHIP;100nF,+80-20%,25V,Y5V,1608	1	S.A	
.....5	C406	2203-000189	C-CER,CHIP;100nF,+80-20%,25V,Y5V,1608	1	S.A	
.....5	C407	2203-000189	C-CER,CHIP;100nF,+80-20%,25V,Y5V,1608	1	S.A	
.....5	C410	2203-000189	C-CER,CHIP;100nF,+80-20%,25V,Y5V,1608	1	S.A	
.....5	C411	2203-000189	C-CER,CHIP;100nF,+80-20%,25V,Y5V,1608	1	S.A	
.....5	C417	2203-000189	C-CER,CHIP;100nF,+80-20%,25V,Y5V,1608	1	S.A	
.....5	C419	2203-000189	C-CER,CHIP;100nF,+80-20%,25V,Y5V,1608	1	S.A	
.....5	C421	2203-000189	C-CER,CHIP;100nF,+80-20%,25V,Y5V,1608	1	S.A	
.....5	C502	2203-000189	C-CER,CHIP;100nF,+80-20%,25V,Y5V,1608	1	S.A	
.....5	C503	2203-000189	C-CER,CHIP;100nF,+80-20%,25V,Y5V,1608	1	S.A	
.....5	C504	2203-000189	C-CER,CHIP;100nF,+80-20%,25V,Y5V,1608	1	S.A	
.....5	C505	2203-000189	C-CER,CHIP;100nF,+80-20%,25V,Y5V,1608	1	S.A	
.....5	C507	2203-000189	C-CER,CHIP;100nF,+80-20%,25V,Y5V,1608	1	S.A	
.....5	C622	2203-000189	C-CER,CHIP;100nF,+80-20%,25V,Y5V,1608	1	S.A	
.....5	C623	2203-000189	C-CER,CHIP;100nF,+80-20%,25V,Y5V,1608	1	S.A	
.....5	C625	2203-000189	C-CER,CHIP;100nF,+80-20%,25V,Y5V,1608	1	S.A	
.....5	C626	2203-000189	C-CER,CHIP;100nF,+80-20%,25V,Y5V,1608	1	S.A	
.....5	C904	2203-000189	C-CER,CHIP;100nF,+80-20%,25V,Y5V,1608	1	S.A	
.....5	C905	2203-000189	C-CER,CHIP;100nF,+80-20%,25V,Y5V,1608	1	S.A	
.....5	C906	2203-000189	C-CER,CHIP;100nF,+80-20%,25V,Y5V,1608	1	S.A	
.....5	C907	2203-000189	C-CER,CHIP;100nF,+80-20%,25V,Y5V,1608	1	S.A	
.....5	C9100	2203-000189	C-CER,CHIP;100nF,+80-20%,25V,Y5V,1608	1	S.A	
.....5	C9101	2203-000189	C-CER,CHIP;100nF,+80-20%,25V,Y5V,1608	1	S.A	
.....5	C9102	2203-000189	C-CER,CHIP;100nF,+80-20%,25V,Y5V,1608	1	S.A	
.....5	C9103	2203-000189	C-CER,CHIP;100nF,+80-20%,25V,Y5V,1608	1	S.A	
.....5	C9104	2203-000189	C-CER,CHIP;100nF,+80-20%,25V,Y5V,1608	1	S.A	
.....5	C9105	2203-000189	C-CER,CHIP;100nF,+80-20%,25V,Y5V,1608	1	S.A	
.....5	C9106	2203-000189	C-CER,CHIP;100nF,+80-20%,25V,Y5V,1608	1	S.A	
.....5	C9107	2203-000189	C-CER,CHIP;100nF,+80-20%,25V,Y5V,1608	1	S.A	
.....5	C9108	2203-000189	C-CER,CHIP;100nF,+80-20%,25V,Y5V,1608	1	S.A	
.....5	C9109	2203-000189	C-CER,CHIP;100nF,+80-20%,25V,Y5V,1608	1	S.A	
.....5	C911	2203-000189	C-CER,CHIP;100nF,+80-20%,25V,Y5V,1608	1	S.A	
.....5	C9110	2203-000189	C-CER,CHIP;100nF,+80-20%,25V,Y5V,1608	1	S.A	
.....5	C9111	2203-000189	C-CER,CHIP;100nF,+80-20%,25V,Y5V,1608	1	S.A	
.....5	C9112	2203-000189	C-CER,CHIP;100nF,+80-20%,25V,Y5V,1608	1	S.A	
.....5	C9114	2203-000189	C-CER,CHIP;100nF,+80-20%,25V,Y5V,1608	1	S.A	
.....5	C9115	2203-000189	C-CER,CHIP;100nF,+80-20%,25V,Y5V,1608	1	S.A	
.....5	C9116	2203-000189	C-CER,CHIP;100nF,+80-20%,25V,Y5V,1608	1	S.A	

5. Exploded View & Part List

Level	Location No.	Code No.	Description & Specification	Q'ty	SA/SNA	Remark
.....5	C9117	2203-000189	C-CER,CHIP;100nF,+80-20%,25V,Y5V,1608	1	S.A	
.....5	C9118	2203-000189	C-CER,CHIP;100nF,+80-20%,25V,Y5V,1608	1	S.A	
.....5	C912	2203-000189	C-CER,CHIP;100nF,+80-20%,25V,Y5V,1608	1	S.A	
.....5	C916	2203-000189	C-CER,CHIP;100nF,+80-20%,25V,Y5V,1608	1	S.A	
.....5	C920	2203-000189	C-CER,CHIP;100nF,+80-20%,25V,Y5V,1608	1	S.A	
.....5	C921	2203-000189	C-CER,CHIP;100nF,+80-20%,25V,Y5V,1608	1	S.A	
.....5	C922	2203-000189	C-CER,CHIP;100nF,+80-20%,25V,Y5V,1608	1	S.A	
.....5	C924	2203-000189	C-CER,CHIP;100nF,+80-20%,25V,Y5V,1608	1	S.A	
.....5	C926	2203-000189	C-CER,CHIP;100nF,+80-20%,25V,Y5V,1608	1	S.A	
.....5	C927	2203-000189	C-CER,CHIP;100nF,+80-20%,25V,Y5V,1608	1	S.A	
.....5	C928	2203-000189	C-CER,CHIP;100nF,+80-20%,25V,Y5V,1608	1	S.A	
.....5	C930	2203-000189	C-CER,CHIP;100nF,+80-20%,25V,Y5V,1608	1	S.A	
.....5	C931	2203-000189	C-CER,CHIP;100nF,+80-20%,25V,Y5V,1608	1	S.A	
.....5	C932	2203-000189	C-CER,CHIP;100nF,+80-20%,25V,Y5V,1608	1	S.A	
.....5	C933	2203-000189	C-CER,CHIP;100nF,+80-20%,25V,Y5V,1608	1	S.A	
.....5	C934	2203-000189	C-CER,CHIP;100nF,+80-20%,25V,Y5V,1608	1	S.A	
.....5	C935	2203-000189	C-CER,CHIP;100nF,+80-20%,25V,Y5V,1608	1	S.A	
.....5	C936	2203-000189	C-CER,CHIP;100nF,+80-20%,25V,Y5V,1608	1	S.A	
.....5	C937	2203-000189	C-CER,CHIP;100nF,+80-20%,25V,Y5V,1608	1	S.A	
.....5	C938	2203-000189	C-CER,CHIP;100nF,+80-20%,25V,Y5V,1608	1	S.A	
.....5	C939	2203-000189	C-CER,CHIP;100nF,+80-20%,25V,Y5V,1608	1	S.A	
.....5	C943	2203-000189	C-CER,CHIP;100nF,+80-20%,25V,Y5V,1608	1	S.A	
.....5	C944	2203-000189	C-CER,CHIP;100nF,+80-20%,25V,Y5V,1608	1	S.A	
.....5	C945	2203-000189	C-CER,CHIP;100nF,+80-20%,25V,Y5V,1608	1	S.A	
.....5	C946	2203-000189	C-CER,CHIP;100nF,+80-20%,25V,Y5V,1608	1	S.A	
.....5	C947	2203-000189	C-CER,CHIP;100nF,+80-20%,25V,Y5V,1608	1	S.A	
.....5	C948	2203-000189	C-CER,CHIP;100nF,+80-20%,25V,Y5V,1608	1	S.A	
.....5	C953	2203-000189	C-CER,CHIP;100nF,+80-20%,25V,Y5V,1608	1	S.A	
.....5	C954	2203-000189	C-CER,CHIP;100nF,+80-20%,25V,Y5V,1608	1	S.A	
.....5	C956	2203-000189	C-CER,CHIP;100nF,+80-20%,25V,Y5V,1608	1	S.A	
.....5	C959	2203-000189	C-CER,CHIP;100nF,+80-20%,25V,Y5V,1608	1	S.A	
.....5	C960	2203-000189	C-CER,CHIP;100nF,+80-20%,25V,Y5V,1608	1	S.A	
.....5	C961	2203-000189	C-CER,CHIP;100nF,+80-20%,25V,Y5V,1608	1	S.A	
.....5	C962	2203-000189	C-CER,CHIP;100nF,+80-20%,25V,Y5V,1608	1	S.A	
.....5	C964	2203-000189	C-CER,CHIP;100nF,+80-20%,25V,Y5V,1608	1	S.A	
.....5	C965	2203-000189	C-CER,CHIP;100nF,+80-20%,25V,Y5V,1608	1	S.A	
.....5	C966	2203-000189	C-CER,CHIP;100nF,+80-20%,25V,Y5V,1608	1	S.A	
.....5	C967	2203-000189	C-CER,CHIP;100nF,+80-20%,25V,Y5V,1608	1	S.A	
.....5	C968	2203-000189	C-CER,CHIP;100nF,+80-20%,25V,Y5V,1608	1	S.A	
.....5	C969	2203-000189	C-CER,CHIP;100nF,+80-20%,25V,Y5V,1608	1	S.A	
.....5	C970	2203-000189	C-CER,CHIP;100nF,+80-20%,25V,Y5V,1608	1	S.A	
.....5	C971	2203-000189	C-CER,CHIP;100nF,+80-20%,25V,Y5V,1608	1	S.A	
.....5	C972	2203-000189	C-CER,CHIP;100nF,+80-20%,25V,Y5V,1608	1	S.A	
.....5	C973	2203-000189	C-CER,CHIP;100nF,+80-20%,25V,Y5V,1608	1	S.A	
.....5	C974	2203-000189	C-CER,CHIP;100nF,+80-20%,25V,Y5V,1608	1	S.A	
.....5	C975	2203-000189	C-CER,CHIP;100nF,+80-20%,25V,Y5V,1608	1	S.A	
.....5	C976	2203-000189	C-CER,CHIP;100nF,+80-20%,25V,Y5V,1608	1	S.A	
.....5	C977	2203-000189	C-CER,CHIP;100nF,+80-20%,25V,Y5V,1608	1	S.A	
.....5	C978	2203-000189	C-CER,CHIP;100nF,+80-20%,25V,Y5V,1608	1	S.A	

Level	Location No.	Code No.	Description & Specification	Q'ty	SA/SNA	Remark
.....5	C979	2203-000189	C-CER,CHIP;100nF,+80-20%,25V,Y5V,1608	1	S.A	
.....5	C980	2203-000189	C-CER,CHIP;100nF,+80-20%,25V,Y5V,1608	1	S.A	
.....5	C981	2203-000189	C-CER,CHIP;100nF,+80-20%,25V,Y5V,1608	1	S.A	
.....5	C982	2203-000189	C-CER,CHIP;100nF,+80-20%,25V,Y5V,1608	1	S.A	
.....5	C983	2203-000189	C-CER,CHIP;100nF,+80-20%,25V,Y5V,1608	1	S.A	
.....5	C984	2203-000189	C-CER,CHIP;100nF,+80-20%,25V,Y5V,1608	1	S.A	
.....5	C985	2203-000189	C-CER,CHIP;100nF,+80-20%,25V,Y5V,1608	1	S.A	
.....5	C986	2203-000189	C-CER,CHIP;100nF,+80-20%,25V,Y5V,1608	1	S.A	
.....5	C987	2203-000189	C-CER,CHIP;100nF,+80-20%,25V,Y5V,1608	1	S.A	
.....5	C988	2203-000189	C-CER,CHIP;100nF,+80-20%,25V,Y5V,1608	1	S.A	
.....5	C989	2203-000189	C-CER,CHIP;100nF,+80-20%,25V,Y5V,1608	1	S.A	
.....5	C990	2203-000189	C-CER,CHIP;100nF,+80-20%,25V,Y5V,1608	1	S.A	
.....5	C991	2203-000189	C-CER,CHIP;100nF,+80-20%,25V,Y5V,1608	1	S.A	
.....5	C992	2203-000189	C-CER,CHIP;100nF,+80-20%,25V,Y5V,1608	1	S.A	
.....5	C994	2203-000189	C-CER,CHIP;100nF,+80-20%,25V,Y5V,1608	1	S.A	
.....5	C995	2203-000189	C-CER,CHIP;100nF,+80-20%,25V,Y5V,1608	1	S.A	
.....5	C996	2203-000189	C-CER,CHIP;100nF,+80-20%,25V,Y5V,1608	1	S.A	
.....5	C997	2203-000189	C-CER,CHIP;100nF,+80-20%,25V,Y5V,1608	1	S.A	
.....5	C998	2203-000189	C-CER,CHIP;100nF,+80-20%,25V,Y5V,1608	1	S.A	
.....5	C999	2203-000189	C-CER,CHIP;100nF,+80-20%,25V,Y5V,1608	1	S.A	
.....5	C101	2203-000257	C-CER,CHIP;10nF,10%,50V,X7R,TP,1608	1	S.A	
.....5	C105	2203-000257	C-CER,CHIP;10nF,10%,50V,X7R,TP,1608	1	S.A	
.....5	C107	2203-000257	C-CER,CHIP;10nF,10%,50V,X7R,TP,1608	1	S.A	
.....5	C111	2203-000257	C-CER,CHIP;10nF,10%,50V,X7R,TP,1608	1	S.A	
.....5	C113	2203-000257	C-CER,CHIP;10nF,10%,50V,X7R,TP,1608	1	S.A	
.....5	C122	2203-000257	C-CER,CHIP;10nF,10%,50V,X7R,TP,1608	1	S.A	
.....5	C128	2203-000257	C-CER,CHIP;10nF,10%,50V,X7R,TP,1608	1	S.A	
.....5	C132	2203-000257	C-CER,CHIP;10nF,10%,50V,X7R,TP,1608	1	S.A	
.....5	C408	2203-000257	C-CER,CHIP;10nF,10%,50V,X7R,TP,1608	1	S.A	
.....5	C409	2203-000257	C-CER,CHIP;10nF,10%,50V,X7R,TP,1608	1	S.A	
.....5	C413	2203-000257	C-CER,CHIP;10nF,10%,50V,X7R,TP,1608	1	S.A	
.....5	C414	2203-000257	C-CER,CHIP;10nF,10%,50V,X7R,TP,1608	1	S.A	
.....5	C418	2203-000257	C-CER,CHIP;10nF,10%,50V,X7R,TP,1608	1	S.A	
.....5	C420	2203-000257	C-CER,CHIP;10nF,10%,50V,X7R,TP,1608	1	S.A	
.....5	C422	2203-000257	C-CER,CHIP;10nF,10%,50V,X7R,TP,1608	1	S.A	
.....5	C103	2203-000405	C-CER,CHIP;0.18nF,5%,50V,C0G,1608	1	S.A	
.....5	C109	2203-000405	C-CER,CHIP;0.18nF,5%,50V,C0G,1608	1	S.A	
.....5	C115	2203-000405	C-CER,CHIP;0.18nF,5%,50V,C0G,1608	1	S.A	
.....5	C124	2203-000405	C-CER,CHIP;0.18nF,5%,50V,C0G,1608	1	S.A	
.....5	C130	2203-000405	C-CER,CHIP;0.18nF,5%,50V,C0G,1608	1	S.A	
.....5	C710	2203-000440	C-CER,CHIP;1nF,10%,50V,X7R,1608	1	S.A	
.....5	C714	2203-000440	C-CER,CHIP;1nF,10%,50V,X7R,1608	1	S.A	
.....5	C721	2203-000531	C-CER,CHIP;2.7nF,10%,50V,X7R,1608	1	S.A	
.....5	C722	2203-000531	C-CER,CHIP;2.7nF,10%,50V,X7R,1608	1	S.A	
.....5	C221	2203-000552	C-CER,CHIP;0.02nF,5%,50V,C0G,1608	1	S.A	
.....5	C222	2203-000552	C-CER,CHIP;0.02nF,5%,50V,C0G,1608	1	S.A	
.....5	C102	2203-000560	C-CER,CHIP;220nF,+80-20%,25V,Y5V,1608	1	S.A	
.....5	C108	2203-000560	C-CER,CHIP;220nF,+80-20%,25V,Y5V,1608	1	S.A	
.....5	C114	2203-000560	C-CER,CHIP;220nF,+80-20%,25V,Y5V,1608	1	S.A	

5. Exploded View & Part List

Level	Location No.	Code No.	Description & Specification	Q'ty	SA/SNA	Remark
.....5	C123	2203-000560	C-CER,CHIP;220nF,+80-20%,25V,Y5V,1608	1	S.A	
.....5	C126	2203-000560	C-CER,CHIP;220nF,+80-20%,25V,Y5V,1608	1	S.A	
.....5	C129	2203-000560	C-CER,CHIP;220nF,+80-20%,25V,Y5V,1608	1	S.A	
.....5	C104	2203-000715	C-CER,CHIP;3.3nF,10%,50V,X7R,1608	1	S.A	
.....5	C110	2203-000715	C-CER,CHIP;3.3nF,10%,50V,X7R,1608	1	S.A	
.....5	C116	2203-000715	C-CER,CHIP;3.3nF,10%,50V,X7R,1608	1	S.A	
.....5	C125	2203-000715	C-CER,CHIP;3.3nF,10%,50V,X7R,1608	1	S.A	
.....5	C131	2203-000715	C-CER,CHIP;3.3nF,10%,50V,X7R,1608	1	S.A	
.....5	C257	2203-000815	C-CER,CHIP;0.033nF,5%,50V,C0G,1608	1	S.A	
.....5	C724	2203-000815	C-CER,CHIP;0.033nF,5%,50V,C0G,1608	1	S.A	
.....5	C1020	2203-000903	C-CER,CHIP;0.0047nF,0.25pF,50V,C0G,1608	1	S.A	
.....5	C1023	2203-000903	C-CER,CHIP;0.0047nF,0.25pF,50V,C0G,1608	1	S.A	
.....5	C1024	2203-000903	C-CER,CHIP;0.0047nF,0.25pF,50V,C0G,1608	1	S.A	
.....5	C1027	2203-000903	C-CER,CHIP;0.0047nF,0.25pF,50V,C0G,1608	1	S.A	
.....5	C117	2203-000972	C-CER,CHIP;47nF,10%,16V,X7R,1608	1	S.A	
.....5	C234	2203-000972	C-CER,CHIP;47nF,10%,16V,X7R,1608	1	S.A	
.....5	C235	2203-000972	C-CER,CHIP;47nF,10%,16V,X7R,1608	1	S.A	
.....5	C236	2203-000972	C-CER,CHIP;47nF,10%,16V,X7R,1608	1	S.A	
.....5	C237	2203-000972	C-CER,CHIP;47nF,10%,16V,X7R,1608	1	S.A	
.....5	C258	2203-000972	C-CER,CHIP;47nF,10%,16V,X7R,1608	1	S.A	
.....5	C259	2203-000972	C-CER,CHIP;47nF,10%,16V,X7R,1608	1	S.A	
.....5	C260	2203-000972	C-CER,CHIP;47nF,10%,16V,X7R,1608	1	S.A	
.....5	C240	2203-001211	C-CER,CHIP;8.2nF,10%,50V,X7R,1608	1	S.A	
.....5	C242	2203-001211	C-CER,CHIP;8.2nF,10%,50V,X7R,1608	1	S.A	
.....5	C302	2203-005005	C-CER,CHIP;100nF,10%,16V,X7R,1608	1	S.A	
.....5	C509	2203-005005	C-CER,CHIP;100nF,10%,16V,X7R,1608	1	S.A	
.....5	C702	2203-005005	C-CER,CHIP;100nF,10%,16V,X7R,1608	1	S.A	
.....5	C704	2203-005005	C-CER,CHIP;100nF,10%,16V,X7R,1608	1	S.A	
.....5	C705	2203-005005	C-CER,CHIP;100nF,10%,16V,X7R,1608	1	S.A	
.....5	C706	2203-005005	C-CER,CHIP;100nF,10%,16V,X7R,1608	1	S.A	
.....5	C707	2203-005005	C-CER,CHIP;100nF,10%,16V,X7R,1608	1	S.A	
.....5	C709	2203-005005	C-CER,CHIP;100nF,10%,16V,X7R,1608	1	S.A	
.....5	C713	2203-005005	C-CER,CHIP;100nF,10%,16V,X7R,1608	1	S.A	
.....5	C715	2203-005005	C-CER,CHIP;100nF,10%,16V,X7R,1608	1	S.A	
.....5	C720	2203-005005	C-CER,CHIP;100nF,10%,16V,X7R,1608	1	S.A	
.....5	C805	2203-005005	C-CER,CHIP;100nF,10%,16V,X7R,1608	1	S.A	
.....5	C806	2203-005005	C-CER,CHIP;100nF,10%,16V,X7R,1608	1	S.A	
.....5	C807	2203-005005	C-CER,CHIP;100nF,10%,16V,X7R,1608	1	S.A	
.....5	C808	2203-005005	C-CER,CHIP;100nF,10%,16V,X7R,1608	1	S.A	
.....5	C809	2203-005005	C-CER,CHIP;100nF,10%,16V,X7R,1608	1	S.A	
.....5	C810	2203-005005	C-CER,CHIP;100nF,10%,16V,X7R,1608	1	S.A	
.....5	C811	2203-005005	C-CER,CHIP;100nF,10%,16V,X7R,1608	1	S.A	
.....5	C812	2203-005005	C-CER,CHIP;100nF,10%,16V,X7R,1608	1	S.A	
.....5	C813	2203-005005	C-CER,CHIP;100nF,10%,16V,X7R,1608	1	S.A	
.....5	C814	2203-005005	C-CER,CHIP;100nF,10%,16V,X7R,1608	1	S.A	
.....5	C815	2203-005005	C-CER,CHIP;100nF,10%,16V,X7R,1608	1	S.A	
.....5	C816	2203-005005	C-CER,CHIP;100nF,10%,16V,X7R,1608	1	S.A	
.....5	C817	2203-005005	C-CER,CHIP;100nF,10%,16V,X7R,1608	1	S.A	
.....5	C818	2203-005005	C-CER,CHIP;100nF,10%,16V,X7R,1608	1	S.A	

Level	Location No.	Code No.	Description & Specification	Q'ty	SA/SNA	Remark
.....5	C819	2203-005005	C-CER,CHIP;100nF,10%,16V,X7R,1608	1	S.A	
.....5	C820	2203-005005	C-CER,CHIP;100nF,10%,16V,X7R,1608	1	S.A	
.....5	C821	2203-005005	C-CER,CHIP;100nF,10%,16V,X7R,1608	1	S.A	
.....5	C822	2203-005005	C-CER,CHIP;100nF,10%,16V,X7R,1608	1	S.A	
.....5	C823	2203-005005	C-CER,CHIP;100nF,10%,16V,X7R,1608	1	S.A	
.....5	C824	2203-005005	C-CER,CHIP;100nF,10%,16V,X7R,1608	1	S.A	
.....5	C825	2203-005005	C-CER,CHIP;100nF,10%,16V,X7R,1608	1	S.A	
.....5	C826	2203-005005	C-CER,CHIP;100nF,10%,16V,X7R,1608	1	S.A	
.....5	C827	2203-005005	C-CER,CHIP;100nF,10%,16V,X7R,1608	1	S.A	
.....5	C828	2203-005005	C-CER,CHIP;100nF,10%,16V,X7R,1608	1	S.A	
.....5	C829	2203-005005	C-CER,CHIP;100nF,10%,16V,X7R,1608	1	S.A	
.....5	C830	2203-005005	C-CER,CHIP;100nF,10%,16V,X7R,1608	1	S.A	
.....5	C831	2203-005005	C-CER,CHIP;100nF,10%,16V,X7R,1608	1	S.A	
.....5	C834	2203-005005	C-CER,CHIP;100nF,10%,16V,X7R,1608	1	S.A	
.....5	C836	2203-005005	C-CER,CHIP;100nF,10%,16V,X7R,1608	1	S.A	
.....5	C846	2203-005005	C-CER,CHIP;100nF,10%,16V,X7R,1608	1	S.A	
.....5	C847	2203-005005	C-CER,CHIP;100nF,10%,16V,X7R,1608	1	S.A	
.....5	C848	2203-005005	C-CER,CHIP;100nF,10%,16V,X7R,1608	1	S.A	
.....5	C849	2203-005005	C-CER,CHIP;100nF,10%,16V,X7R,1608	1	S.A	
.....5	C601	2203-005249	C-CER,CHIP;100nF,10%,50V,X7R,1608	1	S.A	
.....5	C602	2203-005249	C-CER,CHIP;100nF,10%,50V,X7R,1608	1	S.A	
.....5	C603	2203-005249	C-CER,CHIP;100nF,10%,50V,X7R,1608	1	S.A	
.....5	C604	2203-005249	C-CER,CHIP;100nF,10%,50V,X7R,1608	1	S.A	
.....5	C606	2203-005249	C-CER,CHIP;100nF,10%,50V,X7R,1608	1	S.A	
.....5	C607	2203-005249	C-CER,CHIP;100nF,10%,50V,X7R,1608	1	S.A	
.....5	C610	2203-005249	C-CER,CHIP;100nF,10%,50V,X7R,1608	1	S.A	
.....5	C611	2203-005249	C-CER,CHIP;100nF,10%,50V,X7R,1608	1	S.A	
.....5	C612	2203-005249	C-CER,CHIP;100nF,10%,50V,X7R,1608	1	S.A	
.....5	C613	2203-005249	C-CER,CHIP;100nF,10%,50V,X7R,1608	1	S.A	
.....5	C614	2203-005249	C-CER,CHIP;100nF,10%,50V,X7R,1608	1	S.A	
.....5	C615	2203-005249	C-CER,CHIP;100nF,10%,50V,X7R,1608	1	S.A	
.....5	C616	2203-005249	C-CER,CHIP;100nF,10%,50V,X7R,1608	1	S.A	
.....5	C617	2203-005249	C-CER,CHIP;100nF,10%,50V,X7R,1608	1	S.A	
.....5	C618	2203-005249	C-CER,CHIP;100nF,10%,50V,X7R,1608	1	S.A	
.....5	C619	2203-005249	C-CER,CHIP;100nF,10%,50V,X7R,1608	1	S.A	
.....5	C1004	2203-005384	C-CER,CHIP;4700nF,+80-20%,10V,Y5V,2012	1	S.A	
.....5	C1012	2203-005384	C-CER,CHIP;4700nF,+80-20%,10V,Y5V,2012	1	S.A	
.....5	C1018	2203-005384	C-CER,CHIP;4700nF,+80-20%,10V,Y5V,2012	1	S.A	
.....5	C1019	2203-005384	C-CER,CHIP;4700nF,+80-20%,10V,Y5V,2012	1	S.A	
.....5	C106	2203-005437	C-CER,CHIP;10000nF,+80-20%,10V,Y5V,3216	1	S.A	
.....5	C112	2203-005437	C-CER,CHIP;10000nF,+80-20%,10V,Y5V,3216	1	S.A	
.....5	C118	2203-005437	C-CER,CHIP;10000nF,+80-20%,10V,Y5V,3216	1	S.A	
.....5	C127	2203-005437	C-CER,CHIP;10000nF,+80-20%,10V,Y5V,3216	1	S.A	
.....5	C133	2203-005437	C-CER,CHIP;10000nF,+80-20%,10V,Y5V,3216	1	S.A	
.....5	C148	2203-005437	C-CER,CHIP;10000nF,+80-20%,10V,Y5V,3216	1	S.A	
.....5	C149	2203-005437	C-CER,CHIP;10000nF,+80-20%,10V,Y5V,3216	1	S.A	
.....5	C150	2203-005437	C-CER,CHIP;10000nF,+80-20%,10V,Y5V,3216	1	S.A	
.....5	C151	2203-005437	C-CER,CHIP;10000nF,+80-20%,10V,Y5V,3216	1	S.A	
.....5	C508	2203-005437	C-CER,CHIP;10000nF,+80-20%,10V,Y5V,3216	1	S.A	

5. Exploded View & Part List

Level	Location No.	Code No.	Description & Specification	Q'ty	SA/SNA	Remark
.....5	C119	2203-006141	C-CER,CHIP;1000nF,10%,16V,X5R,1608	1	S.A	
.....5	C146	2203-006141	C-CER,CHIP;1000nF,10%,16V,X5R,1608	1	S.A	
.....5	C624	2203-006141	C-CER,CHIP;1000nF,10%,16V,X5R,1608	1	S.A	
.....5	C717	2203-006141	C-CER,CHIP;1000nF,10%,16V,X5R,1608	1	S.A	
.....5	C803	2203-006141	C-CER,CHIP;1000nF,10%,16V,X5R,1608	1	S.A	
.....5	C804	2203-006141	C-CER,CHIP;1000nF,10%,16V,X5R,1608	1	S.A	
.....5	C845	2203-006141	C-CER,CHIP;1000nF,10%,16V,X5R,1608	1	S.A	
.....5	C903	2203-006141	C-CER,CHIP;1000nF,10%,16V,X5R,1608	1	S.A	
.....5	C917	2203-006141	C-CER,CHIP;1000nF,10%,16V,X5R,1608	1	S.A	
.....5	C918	2203-006141	C-CER,CHIP;1000nF,10%,16V,X5R,1608	1	S.A	
.....5	C919	2203-006141	C-CER,CHIP;1000nF,10%,16V,X5R,1608	1	S.A	
.....5	C955	2203-006141	C-CER,CHIP;1000nF,10%,16V,X5R,1608	1	S.A	
.....5	C1010	2203-006336	C-CER,CHIP;10000nF,10%,25V,X5R,3216	1	S.A	
.....5	C1011	2203-006336	C-CER,CHIP;10000nF,10%,25V,X5R,3216	1	S.A	
.....5	C1021	2203-006336	C-CER,CHIP;10000nF,10%,25V,X5R,3216	1	S.A	
.....5	C1022	2203-006336	C-CER,CHIP;10000nF,10%,25V,X5R,3216	1	S.A	
.....5	C1028	2203-006336	C-CER,CHIP;10000nF,10%,25V,X5R,3216	1	S.A	
.....5	C1029	2203-006336	C-CER,CHIP;10000nF,10%,25V,X5R,3216	1	S.A	
.....5	C134	2203-006336	C-CER,CHIP;10000nF,10%,25V,X5R,3216	1	S.A	
.....5	C140	2203-006336	C-CER,CHIP;10000nF,10%,25V,X5R,3216	1	S.A	
.....5	C142	2203-006336	C-CER,CHIP;10000nF,10%,25V,X5R,3216	1	S.A	
.....5	C144	2203-006336	C-CER,CHIP;10000nF,10%,25V,X5R,3216	1	S.A	
.....5	C202	2203-006336	C-CER,CHIP;10000nF,10%,25V,X5R,3216	1	S.A	
.....5	C203	2203-006336	C-CER,CHIP;10000nF,10%,25V,X5R,3216	1	S.A	
.....5	C223	2203-006336	C-CER,CHIP;10000nF,10%,25V,X5R,3216	1	S.A	
.....5	C224	2203-006336	C-CER,CHIP;10000nF,10%,25V,X5R,3216	1	S.A	
.....5	C241	2203-006336	C-CER,CHIP;10000nF,10%,25V,X5R,3216	1	S.A	
.....5	C245	2203-006336	C-CER,CHIP;10000nF,10%,25V,X5R,3216	1	S.A	
.....5	C412	2203-006336	C-CER,CHIP;10000nF,10%,25V,X5R,3216	1	S.A	
.....5	C416	2203-006336	C-CER,CHIP;10000nF,10%,25V,X5R,3216	1	S.A	
.....5	C501	2203-006336	C-CER,CHIP;10000nF,10%,25V,X5R,3216	1	S.A	
.....5	C506	2203-006336	C-CER,CHIP;10000nF,10%,25V,X5R,3216	1	S.A	
.....5	C609	2203-006336	C-CER,CHIP;10000nF,10%,25V,X5R,3216	1	S.A	
.....5	C620	2203-006336	C-CER,CHIP;10000nF,10%,25V,X5R,3216	1	S.A	
.....5	C701	2203-006336	C-CER,CHIP;10000nF,10%,25V,X5R,3216	1	S.A	
.....5	C703	2203-006336	C-CER,CHIP;10000nF,10%,25V,X5R,3216	1	S.A	
.....5	C708	2203-006336	C-CER,CHIP;10000nF,10%,25V,X5R,3216	1	S.A	
.....5	C716	2203-006336	C-CER,CHIP;10000nF,10%,25V,X5R,3216	1	S.A	
.....5	C801	2203-006336	C-CER,CHIP;10000nF,10%,25V,X5R,3216	1	S.A	
.....5	C802	2203-006336	C-CER,CHIP;10000nF,10%,25V,X5R,3216	1	S.A	
.....5	C842	2203-006336	C-CER,CHIP;10000nF,10%,25V,X5R,3216	1	S.A	
.....5	C902	2203-006336	C-CER,CHIP;10000nF,10%,25V,X5R,3216	1	S.A	
.....5	C913	2203-006336	C-CER,CHIP;10000nF,10%,25V,X5R,3216	1	S.A	
.....5	C914	2203-006336	C-CER,CHIP;10000nF,10%,25V,X5R,3216	1	S.A	
.....5	C915	2203-006336	C-CER,CHIP;10000nF,10%,25V,X5R,3216	1	S.A	
.....5	C940	2203-006336	C-CER,CHIP;10000nF,10%,25V,X5R,3216	1	S.A	
.....5	C415	2203-006337	C-CER,CHIP;4700nF,20%,25V,X5R,TP,3225	1	S.A	
.....5	C605	2402-001222	C-AL,SMD;3.3UF,20%,50V,HR,TP,4.3X4.3X5.8	1	S.A	
.....5	C608	2402-001222	C-AL,SMD;3.3UF,20%,50V,HR,TP,4.3X4.3X5.8	1	S.A	

5. Exploded View & Part List

Level	Location No.	Code No.	Description & Specification	Q'ty	SA/SNA	Remark
.....5	CN330	3711-005543	HEADER-BOARD TO CABLE;BOX,6P,1R,1.25mm,S	1	S.A	
.....5	CN301	3711-005660	HEADER-BOARD TO BOARD;BOX,60P,2R,0.5mm,S	1	S.A	
.....5	CN302	3711-005660	HEADER-BOARD TO BOARD;BOX,60P,2R,0.5mm,S	1	S.A	
.....5	CN303	3711-005660	HEADER-BOARD TO BOARD;BOX,60P,2R,0.5mm,S	1	S.A	
.....5	CN330	3711-006712	HEADER-BOARD TO CABLE;BOX,14P,1R,1.25mm,	1	S.A	
.....5	T0010	BP27-00002A	COIL CHOKE;SLF6028T-220MR77,22uF,20%,,,,,	1	S.A	
.....5	T0010	BP27-00002A	COIL CHOKE;SLF6028T-220MR77,22uF,20%,,,,,	1	S.A	
.....5	T0077	BP41-00344A	PCB MAIN;spinner MAIN,FR-4,10,MP1.0,1.6,	1	S.N.A	
.....5	MAIN_MICOM	BP97-01306A	ASSY MICOM-MAIN;P-SPNPWWC-1000.2,SPP400B	1	S.N.A	
.....6	IC115	1107-001415	IC-FLASH MEMORY;29W320D,4Mx8/2Mx16Bit,TS	1	S.N.A	
.....5	IC1002	1205-003223	IC-CODEC;WM8960GEFL/RV,QFN,32P,5x5mm,PLA	1	S.N.A	
.....5	C1030	2203-001607	C-CER,CHIP;0.22nF,5%,50V,NP0,1608	1	S.A	
.....5	T0052	2703-003408	INDUCTOR-SMD;10uH,20%,7070	1	S.A	
.....5	T0052	2703-003408	INDUCTOR-SMD;10uH,20%,7070	1	S.A	
.....5	T0052	2703-003408	INDUCTOR-SMD;10uH,20%,7070	1	S.A	
.....5	R704	2007-000041	R-CHIP;475ohm,1%,1/10W,TP,1608	1	S.A	
.....5	R714	2007-000821	R-CHIP;390ohm,1%,1/10W,TP,1608	1	S.A	
.....5	C727	2203-000681	C-CER,CHIP;0.027nF,5%,50V,C0G,1608	1	S.A	
.....5	C728	2203-000681	C-CER,CHIP;0.027nF,5%,50V,C0G,1608	1	S.A	
.....5	C1005	2203-000384	C-CER,CHIP;0.015nF,5%,50V,C0G,1608	1	S.A	
.....5	C1006	2203-000384	C-CER,CHIP;0.015nF,5%,50V,C0G,1608	1	S.A	
....4	SHIELD	BP63-01125A	SHIELD-PCB MAIN TOP;P400,SPT,0.5	1	S.N.A	
....4	CCMM1	BP73-00146A	SILICON/RUBBER;SP-P400,SILICON RUBBER,25	1	S.N.A	
...3	T0101	BP94-02335A	ASSY PCB MISC-SENSOR;SPP400BX/EN,SPINNER	1	S.A	
....4	T0245	0202-001608	SOLDER-WIRE FLUX;LFC7-107,D0.8,99.3Sn/0.	0.003	S.N.A	
....4	T0211	BP97-01293A	ASSY SMD-SENSOR;SPP400BX/EN,SPINNER	1	S.N.A	
.....5	SUB05	0202-001477	SOLDER-CREAM;LST309-M,-,D20~45um,96.5Sn/	0.038	S.N.A	
.....5	C1	2203-000189	C-CER,CHIP;100nF,+80-20%,25V,Y5V,1608	1	S.A	
.....5	CN330	3711-000862	HEADER-BOARD TO CABLE;BOX,3P,1R,1.25mm,S	1	S.A	
.....5	PCB	BP41-00348A	PCB SUB-SENSOR;spinner SENSOR,FR-4,2,MP1	1	S.N.A	
.....5	IC1	1209-001808	IC-SENSOR;TSL251RD,SOP,8P,4.9x3.9mm,PLAS	1	S.A	