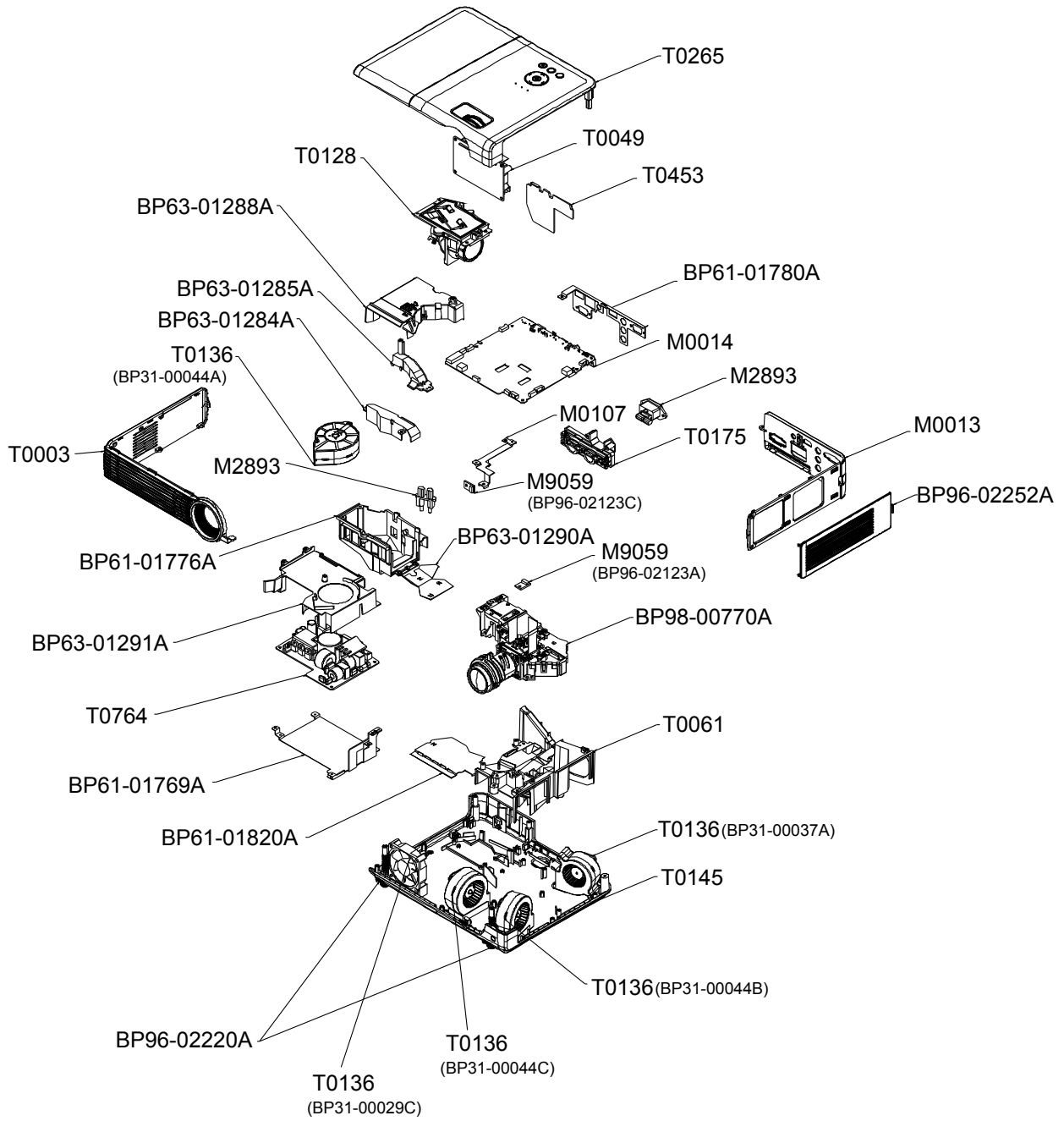


5. Exploded View & Part List

5-1. SP2003XWX/EN - Exploded View (SP-M200)

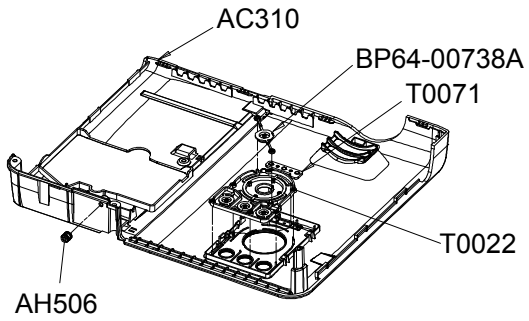


5-1-1. Parts List

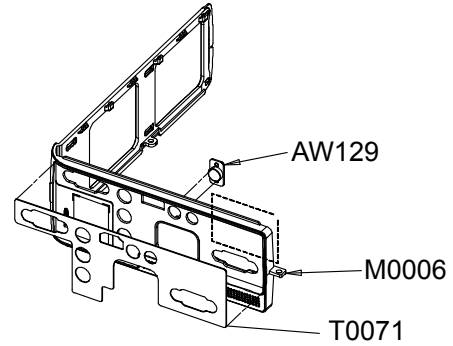
Location No.	Code No.	Description & Specification	Q'ty	SA/SNA	Remark
M0013	BP96-02251A	ASSY COVER P-REAR;SPM250,PC,V0,WH12	1	SA	
M0014	BP94-02371D	ASSY PCB MISC-MAIN;SP2003XWX/EN	1	SA	
M2893	BP39-00338A	LEAD CONNECTOR;SP-M250,INLET SOCKET ASS'	1	SA	
M2893	BP39-00327B	LEAD CONNECTOR;M250,UL10739#20,2p,100mm,	1	SA	
M9059	BP96-02123A	ASSY SENSOR P-NTC BOARD;SP-L300W,CT5000-	1	SA	
T0003	BP96-02250A	ASSY COVER P-FRONT;SPM250,PC,V0,BK23	1	SA	
T0136	BP31-00037A	FAN;B6025L12B1-BB-OC,CORVETTE,2BALL,150m	1	SA	
T0136	BP31-00044B	FAN;B7025M12B1-MM-OC,M255, PANTHER,2BALL	1	SA	
T0136	BP31-00044C	FAN;B7025M12B1-MM-OC,M255, PANTHER,2BALL	1	SA	
T0136	BP31-00029C	FAN;2406GL-04W-B29-LA3,DC FAN,BALL	1	SA	
T0136	BP31-00044A	FAN;B7025M12B1-MM-OC,M255, PANTHER,2BALL	1	SA	
T0175	BN96-13290A	ASSY SPEAKER P;8ohm,2pin,7W,150mm,Holder	1	SA	
T0265	BP96-02248A	ASSY COVER P-TOP;SPM250,PC,V0,WH12	1	SA	
T0764	BP44-01013A	SMPS-PROJECTOR MAIN;M25,BOOST,265W,AC90~	1	SA	
M0107	BP61-01770A	BRACKET-PCB;CORVETTE,EGI-SECC,0.8	1	SNA	
M9059	BP96-02123C	ASSY SENSOR P-NTC BOARD;SP-M250,CT5000-7	1	SNA	
T0049	BP47-00059A	LAMP-BALLAST;180W/200W PHG201A2,100*63*2	1	SNA	
T0061	BP63-01286A	COVER-DUCT BOT;M25,PC/ABS,1.6	1	SNA	
T0128	BP98-00772A	ASSY K/D-LAMP CASE;M200/M220	1	SNA	
T0145	BP96-02249A	ASSY COVER P-BOTTOM;SPM250,PC,V0,WH12	1	SNA	
T0453	BP61-01775A	HOLDER-BALLAST;M25,PC+GF,1.6	1	SNA	
	BP61-01769A	BRACKET-BOTTOM;CORVETTE,EGI-SECC,0.8	1	SNA	
	BP61-01776A	GUIDE-LAMP;M25,PPS,2.0	1	SNA	
	BP61-01780A	BRACKET-JACK TERMINAL;Panther, M255,EGI-	1	SNA	
	BP61-01820A	BRACKET-LAMP;PANTHER,SECC,0.5T	1	SNA	
	BP63-01284A	COVER-DUCT BALLAST(IN);M25,PC+GF,1.0	1	SNA	
	BP63-01285A	COVER-DUCT BALLAST(OUT);M25,PC/ABS,1.0	1	SNA	
	BP63-01288A	COVER-DUCT OUT(TOP);M25,PPS,2.0	1	SNA	
	BP63-01290A	SHIELD-LAMP;M25,STAINLESS-ST304,0.3	1	SNA	
	BP63-01291A	COVER-DUCT OUT(BOT);M25,PPS,2.0	1	SNA	
	BP96-02220A	ASSY HOLDER P-FOOT;SP-M255,Adjust Foot,P	2	SNA	
	BP96-02252A	ASSY COVER P-FILTER;SPM250,PC,V0,WH12	1	SNA	
	BP98-00770A	ASSY K/D-OPTIC MODULE;SP2503XWX/EN	1	SNA	

5-2. ASSY Exploded View

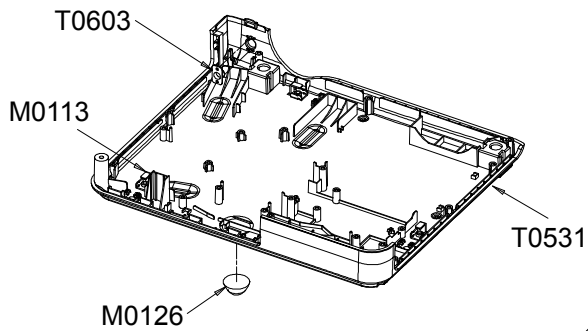
ASSY COVER P-TOP



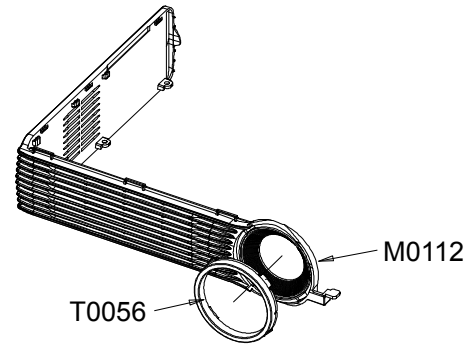
ASSY COVER P-REAR



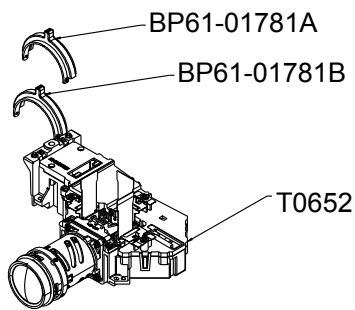
ASSY COVER P-BOTTOM



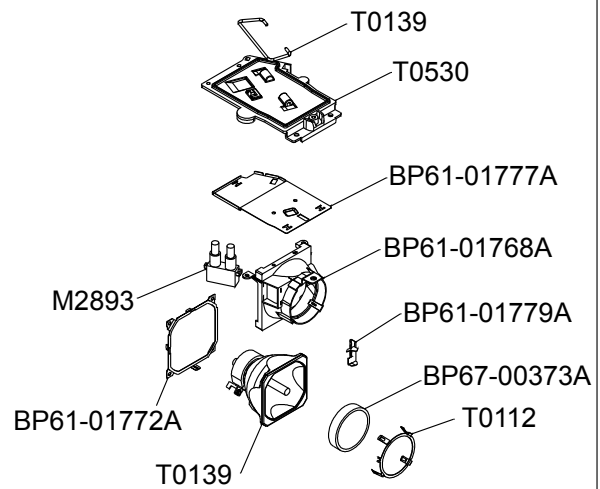
ASSY COVER P-FRONT



ASSY K/D-OPTIC MODULE



ASSY K/D-LAMP CASE



5-2-1. ASSY Parts List

Location No.	Code No.	Description & Specification	Q'ty	SA/SNA	Remark
T0265	BP96-02248A	ASSY COVER P-TOP;SPM250,PC,V0,WH12	1	SA	
AC310	BP63-01292A	COVER-TOP;SPM250,PC,V0,WHT(WH12)	1	SNA	
AH506	BP61-01786A	HOLDER-INSERT;SP-M250,BRASS,INSERT	1	SNA	
AK140	BP64-00738A	KNOB-ENTER;SPM250,PC,WHT(WH12)	1	SNA	
T0022	BP64-00737A	KNOB-CONTROL;SPM250,PC,WHT(WH12)	1	SNA	
	BP64-00739A	INDICATOR-LED;SPM250,PC,CLEAR	1	SNA	
M0013	BP96-02251A	ASSY COVER P-REAR;SPM250,PC,V0,WH12	1	SA	
AW129	BP64-00653A	WINDOW-REAR;SPA400,PC,VIOLET	1	SNA	
M0006	BP63-01297A	COVER-REAR;SPM250,PC,V0,WH12	1	SNA	
T0071	BP64-00741A	INLAY-TERMINAL;SPM250,PS SHEET,T0.5	1	SNA	
T0145	BP96-02249A	ASSY COVER P-BOTTOM;SPM250,PC,V0,WH12	1	SNA	
M0113	BP61-01783A	BRACKET-VESA;SPM250,EGI-SECC,T1.0	3	SNA	
M0126	BP73-00148A	RUBBER-FOOT;SP-L300,SILICON,WHT	1	SNA	
T0531	BP63-01293A	COVER-BOTTOM;SPM250,PC,V0,WHT(WH12)	1	SA	
T0603	BP64-00740A	WINDOW-RMC;SPM250,PC,VIOLET	1	SNA	
T0003	BP96-02250A	ASSY COVER P-FRONT;SPM250,PC,V0,BK23	1	SA	
M0112	BP63-01298A	COVER-FRONT;SPM250,PC,V0,BK23	1	SNA	
T0056	BP63-01299A	COVER-DECORATION;SPM250,PC,V0,BLK(BK23)	1	SNA	
	BP98-00770A	ASSY K/D-OPTIC MODULE;SP2503XWX/EN	1	SNA	
T0652	BP96-02166A	ASSY LENS P;0.63" LCD 3P XGA,RICOH,optic	1	SA	
	BP61-01781A	HOLDER-FOCUS;SPM250,PC,WHT(WH12)	1	SNA	
	BP61-01781B	HOLDER-FOCUS;SPM250,PC,WHT(WH12),NOT PRI	1	SNA	
T0128	BP98-00772A	ASSY K/D-LAMP CASE;M200/M220	1	SNA	
M2893	BP39-00324A	LEAD CONNECTOR;A800 / D400 / L300,RING T	1	SA	
T0112	BP61-01773A	BRACKET-LENS;CORVETTE,STAINLESS-ST304,0	1	SNA	
T0139	BP47-00057A	LAMP;180W Ushio lamp,50*50,180W,180/144W	1	SNA	
T0139	BP64-00249A	HANDLE-LAMP;SHP700,SUS,2.0	1	SNA	
T0530	BP63-01289A	COVER-LAMP;M25,PPS,2.0	1	SNA	
	BP61-01768A	HOLDER-LAMP;M25,AL,2.0,DIE CASTING	1	SNA	
	BP61-01772A	BRACKET-LAMP;CORVETTE,STAINLESS-ST304,0	1	SNA	
	BP61-01777A	BRACKET-COVER LAMP;CORVETTE,STAINLESS-ST	1	SNA	
	BP61-01779A	BRACKET-LAMP IN;Panther, M255,STAINLESS-	1	SNA	
	BP67-00373A	LENS-ILL;concave lens for lamp,BK7,trans	1	SNA	

5-3. SP2003XWX/EN - Parts List

Service Bom (SA: SERVICE AVAILABLE, SNA: SERVICE NOT AVAILABLE)

Level	Location No.	Code No.	Description & Specification	Q'ty	SA/SNA	Remark
0.1	M0045	BN92-05568A	ASSY ACCESSORY;SP2503XWX/EN	1	SNA	
..2	T0268	3903-000452	CBF-POWER CORD;DT,EU/KR,CP3,IEC320 C13,2	1	SA	
..2	M0045	BP96-02242A	ASSY ACCESSORY;SP2503XWX/EN	1	SNA	
...3	T0524	6902-000110	BAG PE;LDPE,T0.05,W250,L400,TRP,28,2,9.2	1	SNA	
...3		AA68-03242U	MANUAL FLYER-SAFETY GUIDE;comm,Samsung,1	1	SNA	
...3	M9889	BN63-01798B	CLOTH-CLEAN;cloth,180,200,sea blue,ToC	1	SNA	
...3	T0527	BN68-00513A	LABEL-E,PASS;ALL MODEL,YUPO(110G),50X15,	1	SNA	
...3		BN68-01925G	MANUAL FLYER-WARRANTY CARD;comm,Samsung,	1	SNA	
...3		BN68-02462B	LABEL-STICKER;CIS,T0.05,93,40,TV-MONITOR	1	SNA	
...3		BN96-01800H	ASSY ACCESSORY-SCREW ZIPPER;L300,M4,L10(1	SNA	
....4		6902-000683	BAG ZIPPER;LDPE,T0.05,W60,L60,TRP,4-PE M	1	SNA	
....4	M0081	6003-000337	SCREW-TAPTYPE;BH,+ ,S,M4,L10,ZPC(BLK),SWR	4	SA	
...3		BP59-00140A	S/W DRIVER-01,IB;SP-M250,SP-M220,SP-M200	1	SNA	
...3		BP68-00655A	MANUAL FLYER-CAUTION;comm,Samsung,19 Lan	1	SNA	
...3		BP68-00683A	MANUAL FLYER-02,WARRANTY CARD;comm,Samsu	1	SNA	
...3		BP68-00693A	MANUAL FLYER-01,QSG;SP-M250,SP-M220,SP-M	1	SNA	
..2	EC29	BN39-00244H	CBF SIGNAL-D-SUB TO D-SUB;D-sub cable,15	1	SA	
..2	T0074	BP59-00135A	REMOCON;L300,TM91,SAMSUNG,CORERIVER,23,G	1	SA	
..2	LL02A	BP96-02254B	ASSY COVER P-LENS;SPM250,NEW,PC,V0,WH12	1	SA	
...3		6902-000128	BAG ZIPPER;LDPE,T0.05,W200,L150,TRP,8,2,	1	SNA	
...3	CCM1	BN63-02183A	COVER-SHEET;ROME,PE Vinyl,T0.04,100mm,20	0.1	SNA	
...3	T0131	BP63-01296A	COVER-LENS;SPM250,PC,V0,BLK(BK23)	1	SNA	
...3	M0114	BP61-01750A	HOLDER-WIRE;SP-U300,Wire,BLK	1	SNA	
0.1		BP90-00456A	ASSY COVER TOP;SP2503XWX/EN	1	SNA	
..2	S.N.A	6003-000269	SCREW-TAPTYPE;BH,+ ,-,S,M3,L6,ZPC(WHT),SW	1	SNA	
..2	W392	6003-000282	SCREW-TAPTYPE;BH,+ ,-,B,M3,L8,ZPC(BLK),SW	1	SA	
..2	T0527	BP68-00679A	LABEL-CAUTION;L300,PET,T0.05,35,25,W/W	1	SNA	
..2	T0527	BP68-00680A	LABEL-CAUTION;L300,PET,T0.05,35,15,W/W	1	SNA	
..2	T0265	BP96-02248A	ASSY COVER P-TOP;SPM250,PC,V0,WH12	1	SA	
...3	CCM1	BN63-02183L	COVER-SHEET;Rhcm,PE Vinyl,T 0.04,300MM,2	0.3	SNA	
...3	AC310	BP63-01292A	COVER-TOP;SPM250,PC,V0,WHT(WH12)	1	SNA	
...3	T0022	BP64-00737A	KNOB-CONTROL;SPM250,PC,WHT(WH12)	1	SNA	
...3	AK140	BP64-00738A	KNOB-ENTER;SPM250,PC,WHT(WH12)	1	SNA	
...3	T0071	BP64-00739A	INDICATOR-LED;SPM250,PC,CLEAR	1	SNA	
...3	AH506	BP61-01786A	HOLDER-INSERT;SP-M250,BRASS,INSERT	1	SNA	
..2	LL01A	BP96-02253A	ASSY COVER P-LAMP;SPM250,PC,V0,WH12	1	SA	
...3	CCM1	BN63-02183L	COVER-SHEET;Rhcm,PE Vinyl,T 0.04,300MM,2	0.15	SNA	
...3	T0530	BP63-01294A	COVER-LAMP;SPM250,PC,V0,WHT(WH12)	1	SNA	
..2	W391	6003-000275	SCREW-TAPTYPE;BH,+ ,B,M3,L10,ZPC(BLK),SWR	3	SA	
..2	M0909	BP72-00106A	SPONGE-DUST;CORVETTE,POLY URETHANE,10T,1	1	SNA	
..2		BP63-01333A	SHEET-AL;PANTHER,alluminum foil,0.07,108	1	SNA	
..2	T0069	BP60-00134A	SPACER-FELT;PANTHER,FELT,100,1,75	1	SNA	
..2		BP63-01335A	SHEET-AL;PANTHER,alluminum foil,0.07,60,	1	SNA	
..2	M0081	6003-001070	SCREW-TAPTYPE;BH,+ ,B,M2,L4,ZPC(BLK),SWRC	1	SA	
..2		BP63-01336A	SHEET-AL;PANTHER,alluminum foil,0.07,15,	1	SNA	
0.1		BP90-00458A	ASSY COVER BOTTOM;M200/M220	1	SNA	

5. Exploded View & Part List

Level	Location No.	Code No.	Description & Specification	Q'ty	SA/SNA	Remark
..2	W392	6003-000282	SCREW-TAPTYPE;BH,+,-,B,M3,L8,ZPC(BLK),SW	35	SA	
..2	M0081	6003-001001	SCREW-TAPTYPE;FH,+ ,B,M3,L8,ZPC(BLK),SWRC	2	SNA	
..2	M0081	6003-001439	SCREW-TAPTYPE;BH,+ ,S,M4,L8,ZPC(WHT),SWRC	1	SNA	
..2	HC+CW	6009-001404	SCREW-SPECIAL;BH,+ ,M3,L10(4),ZPC(WHT),SW	3	SNA	
..2	T0136	BP31-00029C	FAN;2406GL-04W-B29-LA3,DC FAN,BALL	1	SA	
..2	T0136	BP31-00037A	FAN;B6025L12B1-BB-OC,CORVETTE,2BALL,150m	1	SA	
..2	T0136	BP31-00044A	FAN;B7025M12B1-MM-OC,M255, PANTHER,2BALL	1	SA	
..2	T0049	BP47-00059A	LAMP-BALLAST;180W/200W PHG201A2,100*63*2	1	SNA	
..2	T0069	BP60-00120A	SPACER-FELT;CORVETTE,FELT,40,1,10	3	SNA	
..2	M0114	BP61-00868A	HOLDER-WIRE;SCP-50L3HR,EGI,T0.5	2	SNA	
..2		BP61-01769A	BRACKET-BOTTOM;CORVETTE,EGI-SECC,0.8	1	SNA	
..2	M0107	BP61-01770A	BRACKET-PCB;CORVETTE,EGI-SECC,0.8	1	SNA	
..2	T0453	BP61-01775A	HOLDER-BALLAST;M25,PC+GF,1.6	1	SNA	
..2		BP61-01776A	GUIDE-LAMP;M25,PPS,2.0	1	SNA	
..2		BP61-01780A	BRACKET-JACK TERMINAL;Panther, M255,EGI-	1	SNA	
..2		BP63-01159A	SHEET-INSULATION;SP-L300,PC SHEET,T0.5,B	1	SNA	
..2		BP63-01284A	COVER-DUCT BALLAST(IN);M25,PC+GF,1.0	1	SNA	
..2		BP63-01285A	COVER-DUCT BALLAST(OUT);M25,PC/ABS,1.0	1	SNA	
..2	T0061	BP63-01286A	COVER-DUCT BOT;M25,PC/ABS,1.6	1	SNA	
..2		BP63-01288A	COVER-DUCT OUT(TOP);M25,PPS,2.0	1	SNA	
..2		BP63-01290A	SHIELD-LAMP;M25,STAINLESS-ST304,0.3	1	SNA	
..2		BP63-01291A	COVER-DUCT OUT(BOT);M25,PPS,2.0	1	SNA	
..2	T0527	BP68-00678A	LABEL-CAUTION;D300,PET,T0.05,82,80,W/W	1	SNA	
..2	M0909	BP72-00109A	SPONGE;CORVETTE,POLY URETHANE,3T,5,Inner	4	SNA	
..2		BP96-02220A	ASSY HOLDER P-FOOT;SP-M255,Adjust Foot,P	2	SNA	
..2	T0145	BP96-02249A	ASSY COVER P-BOTTOM;SPM250,PC,V0,WH12	1	SNA	
...3	CCM1	BN63-02183L	COVER-SHEET;RhcM,PE Vinyl,T 0.04,300MM,2	0.3	SNA	
...3	M0113	BP61-01783A	BRACKET-VESA;SPM250,EGI-SECC,T1.0	3	SNA	
...3	T0531	BP63-01293A	COVER-BOTTOM;SPM250,PC,V0,WHT(WH12)	1	SA	
...3	T0603	BP64-00740A	WINDOW-RMC;SPM250,PC,VIOLET	1	SNA	
...3	M0126	BP73-00148A	RUBBER-FOOT;SP-L300,SILICON,WHT	1	SNA	
..2	T0003	BP96-02250A	ASSY COVER P-FRONT;SPM250,PC,V0,BK23	1	SA	
...3	M0112	BP63-01298A	COVER-FRONT;SPM250,PC,V0,BK23	1	SNA	
...3	T0056	BP63-01299A	COVER-DECORATION;SPM250,PC,V0,BLK(BK23)	1	SNA	
..2	M0013	BP96-02251A	ASSY COVER P-REAR;SPM250,PC,V0,WH12	1	SA	
...3	M0006	BP63-01297A	COVER-REAR;SPM250,PC,V0,WH12	1	SNA	
...3	AW129	BP64-00653A	WINDOW-REAR;SPA400,PC,VIOLET	1	SNA	
...3	T0071	BP64-00741A	INLAY-TERMINAL;SPM250,PS SHEET,T0.5	1	SNA	
..2		BP96-02252A	ASSY COVER P-FILTER;SPM250,PC,V0,WH12	1	SNA	
...3		BP63-01295A	COVER-FILTER;SPM250,PC,V0,WHT(WH12)	1	SNA	
...3		BP63-01310A	FILTER;CORVETTE,PE/PP,48,60,WHITE	2	SNA	
..2		BP98-00770A	ASSY K/D-OPTIC MODULE;SP2503XWX/EN	1	SNA	
...3	W392	6003-000282	SCREW-TAPTYPE;BH,+,-,B,M3,L8,ZPC(BLK),SW	1	SA	
...3		BP61-01781A	HOLDER-FOCUS;SPM250,PC,WHT(WH12)	1	SNA	
...3		BP61-01781B	HOLDER-FOCUS;SPM250,PC,WHT(WH12),NOT PRI	1	SNA	
...3	T0652	BP96-02166A	ASSY LENS P;0.63" LCD 3P XGA,RICOH,optic	1	SA	
...3	M2893	BP39-00327B	LEAD CONNECTOR;M250,UL10739#20,2p,100mm,	1	SA	
...3	S.N.A	6003-000269	SCREW-TAPTYPE;BH,+,-,S,M3,L6,ZPC(WHT),SW	1	SNA	
...3	T0069	BP60-00116A	SPACER-FELT;CORVETTE,25,0.5,25	1	SNA	
...3	T0069	BP60-00120A	SPACER-FELT;CORVETTE,FELT,40,1,10	1	SNA	
...3	T0081	6001-000808	SCREW-MACHINE;CH,+ ,M2,L3,NI PLT,SWRCH10A	4	SNA	

5. Exploded View & Part List

Level	Location No.	Code No.	Description & Specification	Q'ty	SA/SNA	Remark
..2	T0128	BP98-00772A	ASSY K/D-LAMP CASE;M200/M220	1	SNA	
...3	S.N.A	6003-000269	SCREW-TAPTYPE;BH,+,-,S,M3,L6,ZPC(WHT),SW	6	SNA	
...3	W392	6003-000282	SCREW-TAPTYPE;BH,+,-,B,M3,L8,ZPC(BLK),SW	3	SA	
...3	M2893	BP39-00324A	LEAD CONNECTOR;A800 / D400 / L300,RING T	1	SA	
...3	T0139	BP47-00057A	LAMP;180W Ushio lamp,50*50,180W,180/144W	1	SNA	
...3		BP61-01768A	HOLDER-LAMP;M25,AL,2.0,DIE CASTING	1	SNA	
...3		BP61-01772A	BRACKET-LAMP;CORVETTE,STAINLESS-ST304,0	1	SNA	
...3	T0112	BP61-01773A	BRACKET-LENS;CORVETTE,STAINLESS-ST304,0	1	SNA	
...3		BP61-01777A	BRACKET-COVER LAMP;CORVETTE,STAINLESS-ST	1	SNA	
...3		BP61-01779A	BRACKET-LAMP IN;Panther, M255,STAINLESS-	1	SNA	
...3	T0530	BP63-01289A	COVER-LAMP;M25,PPS,2.0	1	SNA	
...3	T0139	BP64-00249A	HANDLE-LAMP;SHP700,SUS,2.0	1	SNA	
...3		BP67-00373A	LENS-ILL;concave lens for lamp,BK7,trans	1	SNA	
...3		BP63-01330A	SHEET-AL;PANTHER,alluminum foil,0.07,30,	1	SNA	
..2	S.N.A	6003-000269	SCREW-TAPTYPE;BH,+,-,S,M3,L6,ZPC(WHT),SW	2	SNA	
..2	M0952	BP63-01319A	COVER-DUCT;M25,PC+GF,1.6	1	SNA	
..2		BP60-00129A	SPACER-FAN;PANTHER,URETHANE,30,4T,20	3	SNA	
..2		BP61-01820A	BRACKET-LAMP;PANTHER,SECC,0.5T	1	SNA	
..2		BP63-01331A	SHEET-AL;PANTHER,alluminum foil,0.07,130	1	SNA	
..2	AS105	BP63-01332A	SHEET-SMPS;PANTHER,PC SHEET,T0.5	1	SNA	
..2		AA63-01638A	FELT;50P9,FELT,0.5,15,40	1	SNA	
..2	T0069	BP60-00131A	SPACER-FELT;PANTHER,FELT,23,1	1	SNA	
..2	T0069	BP60-00132A	SPACER-FELT;PANTHER,FELT,95,1,10	1	SNA	
..2		BP63-01164A	SHEET-AL;L300, CORVETTE,AL incombustible	1	SNA	
..2		BP63-01334A	SHEET-INSULATION;PANTHER,PC SHEET,T0.5,1	1	SNA	
..2		BP63-01335A	SHEET-AL;PANTHER,alluminum foil,0.07,60,	1	SNA	
..2		BP63-01337A	SHEET-AL;PANTHER,alluminum foil,0.07,35,	1	SNA	
..2	M0909	BP72-00125A	SPONGE;PANTEHR,EVA SPONGE,T1.0,6.5,87	1	SNA	
..2	T0069	AA63-60122S	SPACER-FELT;42A4,FELT,L60,T1.0,D20	1	SNA	
..2		BP63-01346A	SHEET-AL;PANTHER,alluminum foil,0.07,44,	1	SNA	
..2	T0136	BP31-00044B	FAN;B7025M12B1-MM-OC,M255, PANTHER,2BALL	1	SA	
..2	T0136	BP31-00044C	FAN;B7025M12B1-MM-OC,M255, PANTHER,2BALL	1	SA	
..2	CIS1	BN74-00021A	TAPE-FILAMENT;Filament tape,clear,#8915,	0.15	SNA	
0.1		BP91-02153A	ASSY FIXING;SP220 / EN	1	SNA	
..2	T0175	BN96-13290A	ASSY SPEAKER P;8ohm,2pin,7W,150mm,Holder	1	SA	
..2	M2893	BP39-00279C	LEAD CONNECTOR;SP-M250,Lead Connector As	1	SA	
..2	M2893	BP39-00335A	LEAD CONNECTOR;SP-M250,Flat Connector As	1	SA	
..2	M2893	BP39-00336A	LEAD CONNECTOR;SP-M250,UL1061 #28,4p/3p,	1	SA	
..2	M2893	BP39-00338A	LEAD CONNECTOR;SP-M250,INLET SOCKET ASS'	1	SA	
..2	T0562	6046-001015	STAND OFF;#4-40,L5,Ni PLT,C3601,M3	4	SNA	
..2	M2893	BN39-01130P	LEAD CONNECTOR;SP-M250,Lead Connector As	1	SA	
..2	M2893	BP39-00333B	LEAD CONNECTOR;SP-M250,Lead Connector As	1	SA	
..2	M2893	BP39-00334B	LEAD CONNECTOR;SP-M250,Lead Connector As	1	SA	
..2	M2893	BP39-00337B	LEAD CONNECTOR;SP-M250,Lead Connector As	1	SA	
..2		BN68-02191B	LABEL-RATING;ART PAPER,20,10,W/W	2	SNA	
0.1	T0527	BP92-02034A	ASSY LABEL;SP-D300BX	1	SNA	
..2	T0346	BN68-00533D	LABEL RATING-00;ALL,SS,PE,T0.05,68*48,BL	1	SNA	
..2	T0527	AA68-03752B	LABEL-STICKER;WW,ALL,Art Paper(90g),25,3	1	SNA	
0.1		BP92-02087A	ASSY BOX;SP2503XWX/EN,M250	1	SNA	
..2	T0527	BH68-00634A	LABEL BOX-00;ALL MODEL,MOJO 90G,80,75,WH	1	SNA	
..2		BP69-00518A	BOX-01,SET;M250,CB,A-01,SW2, YEL,W395,D3	1	SNA	

5. Exploded View & Part List

Level	Location No.	Code No.	Description & Specification	Q'ty	SA/SNA	Remark
0.1		BP92-02088A	ASSY P/MATERIAL;SP2503XWX/EN,M250	1	SNA	
..2	T0214	0203-001595	TAPE-OPP MASKING;OPP-2,0.075,75,800M,CLR	1.1	SNA	
..2		6902-000061	BAG AIR;LDPE,T0.2,W500,L1000,TRP,370.000	1	SNA	
..2		6902-000379	BAG AIR;LDPE,T0.2,W1000,L1800,TRP,1260.0	1	SNA	
..2		6902-000604	BAG WRAPPING;LDPE,T0.02,W500,L10000,TRP,	0.91	SNA	
..2		6902-000609	BAG ROLL;LDPE,T0.05,W2400,L1000,TRP,30.0	0.02	SNA	
..2	T0524	6902-000817	BAG PE;HDPE/NITRON,T0.015/T0.5(DOUBLE),W	1	SNA	
..2		BH69-00457C	PACKING INNER-00,PAD;COMM,T3.0,880,1320,	1	SNA	
..2		BN69-00391D	PAD-ANGLE;DI19PS,T4,50,2000,YEL,357.000g	1	SNA	
..2	T0603	BN69-00617D	PALLET-PACKING;WOOD-WoodEN,1300,830,120	1	SNA	
..2		BN69-03565A	PAD-PLATE;P230S,CB,SW,YEL,W1300,D800,800	1	SNA	
..2		BP63-01300A	COVER-BAG;SP-M250,Textile,GRAY,Carrying	1	SNA	
..2		BP69-00519A	CUSHION-PAPER;M250,CB,W395,D305,H195,YEL	1	SNA	
0.1		BP91-02154D	ASSY MISC-CHASSIS;SP2203	1	SNA	
..2	T0764	BP44-01013A	SMPS-PROJECTOR MAIN;M25,BOOST,265W,AC90~	1	SA	
..2	M0014	BP94-02371D	ASSY PCB MISC-MAIN;SP2003XWX/EN	1	SA	
...3		0202-001463	SOLDER-WIRE;LFC2-W3.0,-,D3,99.79Sn/0.2Cu	2.818	SNA	
...3		0202-001608	SOLDER-WIRE FLUX;LFC7-107,D0.8,99.3Sn/0.	0.25	SNA	
...3		0204-002420	SOLVENT;1M-1000,C3H70H,96	3.93	SNA	
...3		0204-002607	FLUX;DF-234U,13%,14KG,Gravity 0.82	2.557	SNA	
...3	D0254	0609-001219	MODULE REMOCON;VERTICAL,8.9mm,BULK,0.51g	1	SA	
...3		3701-001679	CONNECTOR-DSUB;15P,3ROW,FEMALE,ANGLE,SN+	1	SA	
...3		3722-002680	JACK-EAR PHONE;6P,NiSn,BLK,ANGLE	1	SA	
...3	JA333	3722-002981	JACK-PIN;3P/1C,NI,BLK(Y/W/R),ANGLE	1	SA	
...3		6902-000331	BAG AIR CAP;LDPE,T0.05,W250,L300,PINK,13	1	SNA	
...3		BN68-02191B	LABEL-RATING;ART PAPER,20,10,W/W	1	SNA	
...3		BP97-01387D	ASSY SMD;SP2003,301	1	SNA	
....4		0202-001477	SOLDER-CREAM;LST309-M,D20~45um,96.5Sn/3A	2.387	SNA	
....4	DS01A	0401-000116	DIODE-SWITCHING;MMSD914T1,100V,200mA,SOD	5	SA	
....4	DS01A	0401-001056	DIODE-SWITCHING;MMBD4148SE,100V,200mA,SO	18	SA	
....4	D0254	0402-000553	DIODE-SCHOTTKY;SS24/B240,40V,2000mA,DO-2	1	SA	
....4		0403-001052	DIODE-ZENER;RD8.2MB,7.7-8.7V,200mW,SOT-2	1	SA	
....4		0403-001164	DIODE-ZENER;MMSZ5232B,5.32-5.88V,500MW,S	2	SA	
....4		0403-001779	DIODE-ZENER;MMSZ5234BT1G,5.89/6.51V,500m	4	SA	
....4	D0254	0404-001020	DIODE-SCHOTTKY;BAT54C,30V,200mA,SOT-23,T	2	SA	
....4		0501-000434	TR-SMALL SIGNAL;KTC3875S-GR,NPN,150mW,SO	5	SA	
....4	Q101	0501-000445	TR-SMALL SIGNAL;KTC3875S-Y,NPN,150mW,SOT	3	SA	
....4		0501-002654	TR-SMALL SIGNAL;2PD601ASL,NPN,250mW,SOT-	1	SA	
....4	Q601	0504-000129	TR-DIGITAL;KSR1104,NPN,200mW,47K/47Kohm,	3	SA	
....4	CEQ2	0505-000110	FET-SILICON;2N7002,N,60V,115mA,7.5ohm,0.	6	SA	
....4	Q409	0505-001170	FET-SILICON;FDS9933A,P,-20V,3.8A,0.075oh	1	SA	
....4	Q409	0505-002203	FET-SILICON;RSS100N03,N,30V,+,-10A,0.013o	1	SA	
....4	L0405	0601-001313	LED;SMD,GRN,2X1.8MM,565NM,3.16X1.6X1.1MM	2	SA	
....4	IC104	0801-002393	IC-CMOS LOGIC;74VHC244,BUS BUFFER,TSSOP,	1	SA	
....4	IC104	0801-002765	IC-CMOS LOGIC;74LVC1G07,SINGLE BUFFER/DR	1	SA	
....4	IC104	0801-002858	IC-CMOS LOGIC;74HCT1G126GV,1 GATE BUFFER	2	SA	
....4		1001-001109	IC-ANALOG SWITCH;FST3125M,BUS SWITCH & C	2	SA	
....4		1006-001481	IC-LINE TRANSCEIVER;SP3232ECY-L,TSSOP,16	1	SA	
....4	IC112	1103-000129	IC-EEPROM;24C02,2Kbit,256x8,SOP,8P,5x4mm	3	SA	
....4	IC112	1103-001385	IC-EEPROM;AT24C256,256Kbit,32Kx8,SOP,8P,	2	SA	
....4		1105-002102	IC-DDR SDRAM;EM6A9160TSA,128MB,TSOPII,66	1	SA	

5. Exploded View & Part List

Level	Location No.	Code No.	Description & Specification	Q'ty	SA/SNA	Remark
....4	DU410	1201-002046	IC-OP AMP;LM324,TSSOP,TP,14P,5x4.4mm,QUA	1	SA	
....4	T0085	1201-002487	IC-AUDIO AMP;MAX9728A,QFN,12P,3x3mm,DUAL	1	SA	
....4	T0124	1201-002677	IC-POWER AMP;NTP3100,QFN56,56P,8x8mm,DUA	1	SA	
....4	DU501	1203-001824	IC-VOL. DETECTOR;7042,SOT-89,3P,PLASTIC,	1	SA	
....4	T0087	1203-002835	IC-POSI.FIXED REG.;KIA7805AF,DPAK,3P,6.6	1	SA	
....4	IC012	1203-002995	IC-POSI.ADJUST REG.;AP1117D,TO-252,3P,6.	1	SA	
....4	T0087	1203-003695	IC-POSI.FIXED REG.;NCP1117ST33T3G,SOT-22	1	SA	
....4	T0087	1203-003703	IC-POSI.FIXED REG.;AP1117E-18A,SOT-223,3	1	SA	
....4		1203-004363	IC-VOL. DETECTOR;RT9818C-29PV,SOT-23,3P,	1	SA	
....4		1203-004364	IC-VOL. DETECTOR;RT9818C-42PV,SOT-23,3P,	1	SA	
....4		1203-004844	IC-DC/DC CONVERTER;BD9307FVM-TR,MSOP,8P,	1	SA	
....4	T0087	1203-004893	IC-POSI.FIXED REG.;G994F1U,SOP,8P,4.9x3.	5	SA	
....4	IC012	1203-005756	IC-POSI.ADJUST REG.;AP7173-SP,SOP-8L-EP,	3	SA	
....4		1203-005819	IC-DC/DC CONVERTER;MP8706AEN-C247-LF-Z,S	1	SNA	
....4	IC118	1204-002951	IC-VIDEO PROCESS;L3E07111K0A,BGA,324P,27	1	SA	
....4		1205-003201	IC-BUS SWITCH;TC7WB125FK,SSOP,8P,2x2.3mm	2	SA	
....4		1205-003294	IC-CONTROLLER;G793D5U,TSSOP,20P,6.5x4.4m	2	SA	
....4	M0019	1205-003694	IC-LCD CONTROLLER;SEMS50-LF,LQFP,256P,30	1	SA	
....4	IC109	1205-003829	IC-LCD CONTROLLER;L3E06170P0A,LQFP,100P,	3	SA	
....4	T0900	1404-001386	THERMISTOR-NTC;10Kohm,3975K,2.1mW/C,TP	1	SA	
....4		1405-001233	VARISTOR;30Vdc,5A,1.6x0.8x0.8mm,TP	14	SA	
....4	J914	2007-000029	R-CHIP;0ohm,5%,1/8W,TP,2012	1	SC	
....4	KAR21	2007-000070	R-CHIP;0ohm,5%,1/10W,TP,1608	12	SNA	
....4	AR150	2007-000078	R-CHIP;1Kohm,5%,1/10W,TP,1608	2	SA	
....4	AR108	2007-000097	R-CHIP;47Kohm,5%,1/10W,TP,1608	2	SA	
....4	MR16	2007-000098	R-CHIP;56Kohm,5%,1/10W,TP,1608	1	SNA	
....4	MR166	2007-000119	R-CHIP;560ohm,5%,1/10W,TP,1608	1	SNA	
....4	R1P151	2007-000121	R-CHIP;820ohm,5%,1/10W,TP,1608	1	SNA	
....4	R105	2007-000138	R-CHIP;100ohm,5%,1/16W,TP,1005	96	SNA	
....4	AR49	2007-000140	R-CHIP;1Kohm,5%,1/16W,TP,1005	18	SNA	
....4	MR306	2007-000141	R-CHIP;2.2Kohm,5%,1/16W,TP,1005	4	SNA	
....4	R319	2007-000143	R-CHIP;4.7Kohm,5%,1/16W,TP,1005	19	SNA	
....4	R104	2007-000148	R-CHIP;10Kohm,5%,1/16W,TP,1005	61	SNA	
....4	HDR2	2007-000151	R-CHIP;15Kohm,5%,1/16W,TP,1005	2	SNA	
....4	HDR9	2007-000152	R-CHIP;20Kohm,5%,1/16W,TP,1005	1	SNA	
....4	MR36	2007-000153	R-CHIP;22Kohm,5%,1/16W,TP,1005	9	SNA	
....4	MR13	2007-000157	R-CHIP;47Kohm,5%,1/16W,TP,1005	4	SNA	
....4	DR39	2007-000162	R-CHIP;100Kohm,5%,1/16W,TP,1005	3	SNA	
....4	R509	2007-000170	R-CHIP;1Mohm,5%,1/16W,TP,1005	1	SNA	
....4	R111	2007-000171	R-CHIP;0ohm,5%,1/16W,TP,1005	32	SNA	
....4	HDR17	2007-000172	R-CHIP;10ohm,5%,1/16W,TP,1005	1	SNA	
....4	R338	2007-000173	R-CHIP;22ohm,5%,1/16W,TP,1005	20	SNA	
....4	UR23	2007-000174	R-CHIP;47ohm,5%,1/16W,TP,1005	10	SNA	
....4	UR53	2007-000305	R-CHIP;10Mohm,5%,1/10W,TP,1608	2	SNA	
....4	ZR45	2007-000329	R-CHIP;11Kohm,5%,1/10W,TP,1608	5	SA	
....4	PRS34	2007-000516	R-CHIP;2.7Kohm,1%,1/10W,TP,1608	1	SA	
....4	S0F0522	2007-000691	R-CHIP;3.3Mohm,5%,1/10W,TP,1608	1	SA	
....4	RF03	2007-000828	R-CHIP;39Kohm,1%,1/10W,TP,1608	1	SA	
....4	V8932	2007-000857	R-CHIP;4.3Kohm,1%,1/10W,TP,1608	1	SNA	
....4	DR37	2007-000932	R-CHIP;470ohm,5%,1/16W,TP,1005	2	SNA	
....4	R25	2007-001139	R-CHIP;7.5Kohm,1%,1/10W,TP,1608	3	SA	

5. Exploded View & Part List

Level	Location No.	Code No.	Description & Specification	Q'ty	SA/SNA	Remark
....4		2007-001285	R-CHIP;5.6ohm,5%,1/16W,TP,1005	12	SA	
....4	OTR1	2007-001292	R-CHIP;33ohm,5%,1/16W,TP,1005	5	SNA	
....4		2007-001295	R-CHIP;39ohm,5%,1/16W,TP,1005	1	SA	
....4	R16	2007-001313	R-CHIP;330ohm,5%,1/16W,TP,1005	1	SNA	
....4	R326	2007-001325	R-CHIP;3.3Kohm,5%,1/16W,TP,1005	4	SNA	
....4		2007-001342	R-CHIP;2Mohm,5%,1/10W,TP,1608	2	SA	
....4	R3301	2007-001433	R-CHIP;12Kohm,1%,1/10W,TP,1608	1	SA	
....4	R1	2007-002425	R-CHIP;1ohm,5%,1/10W,TP,1608	4	SNA	
....4		2007-003008	R-CHIP;1.6Kohm,5%,1/16W,TP,1005	1	SNA	
....4	R133	2007-007004	R-CHIP;12Kohm,1%,1/10W,TP,1608	2	SA	
....4		2007-007008	R-CHIP;300ohm,5%,1/16W,TP,1005	2	SNA	
....4	TR30	2007-007009	R-CHIP;75ohm,5%,1/16W,TP,1005	4	SNA	
....4	R365	2007-007107	R-CHIP;100Kohm,1%,1/16W,TP,1005	11	SNA	
....4		2007-007136	R-CHIP;4.7Kohm,1%,1/16W,TP,1005	3	SNA	
....4	DR4	2007-007142	R-CHIP;10Kohm,1%,1/16W,TP,1005	11	SNA	
....4		2007-007156	R-CHIP;1ohm,5%,1/16W,TP,1005	2	SNA	
....4		2007-007239	R-CHIP;31.6Kohm,1%,1/10W,TP,1608	1	SNA	
....4		2007-007309	R-CHIP;12Kohm,1%,1/16W,TP,1005	3	SA	
....4		2007-007317	R-CHIP;2.2Kohm,1%,1/16W,TP,1005	2	SA	
....4		2007-007318	R-CHIP;1Kohm,1%,1/16W,TP,1005	1	SNA	
....4		2007-007319	R-CHIP;390ohm,1%,1/16W,TP,1005	1	SNA	
....4		2007-007463	R-CHIP;1.1Kohm,1%,1/16W,TP,1005	1	SA	
....4		2007-007552	R-CHIP;6.34Kohm,1%,1/10W,TP,1608	2	SA	
....4		2007-007600	R-CHIP;3.48Kohm,1%,1/10W,TP,1608	1	SA	
....4	R133	2007-007651	R-CHIP;9.1Kohm,1%,1/10W,TP,1608	2	SA	
....4		2007-007791	R-CHIP;9.1Kohm,1%,1/16W,TP,1005	2	SNA	
....4	RM512	2011-000881	R-NETWORK;33ohm,5%,1/16W,L,CHIP,8P,TP,3.	5	SA	
....4	RP102	2011-001087	R-NETWORK;75ohm,5%,1/16W,L,CHIP,8P,TP,3.	3	SNA	
....4	DAR09	2011-001262	R-NETWORK;22ohm,5%,1/16W,L,CHIP,8P,TP,2.	6	SA	
....4		2011-001345	R-NETWORK;10Kohm,5%,1/16W,L,CHIP,8P,TP,2	4	SA	
....4	DRP9	2011-001474	R-NETWORK;47ohm,5%,1/16W,L,CHIP,8P,TP,2.	13	SA	
....4		2011-001506	R-NETWORK;10Kohm,5%,1/16W,L,CHIP,4P,TP,1	1	SNA	
....4		2011-001527	R-NETWORK;4.7Kohm,5%,1/16W,L,CHIP,4P,TP,	1	SNA	
....4	PC43	2203-000233	C-CER,CHIP;0.1nF,5%,50V,C0G,TP,1005	6	SA	
....4	DC1	2203-000386	C-CER,CHIP;.015nF,5%,50V,C0G,TP,1005	2	SA	
....4	C254	2203-000438	C-CER,CHIP;1nF,10%,50V,X7R,TP,1005	21	SA	
....4	C507	2203-000489	C-CER,CHIP;2.2nF,10%,50V,X7R,TP,1005	6	SA	
....4	AD480	2203-000550	C-CER,CHIP;0.02nF,5%,50V,C0G,1005	4	SNA	
....4	MC9	2203-000627	C-CER,CHIP;.022nF,5%,50V,C0G,TP,1005	2	SNA	
....4	AD480	2203-000679	C-CER,CHIP;0.027nF,5%,50V,C0G,1005	2	SNA	
....4	DC25	2203-000812	C-CER,CHIP;.033nF,5%,50V,C0G,1005	3	SA	
....4	6MC22	2203-000975	C-CER,CHIP;47nF,10%,25V,X7R,TP,1608,-	11	SNA	
....4	AC124	2203-000998	C-CER,CHIP;0.047nF,5%,50V,C0G,1608	1	SNA	
....4	AD480	2203-002285	C-CER,CHIP;10nF,10%,50V,X7R,1005	9	SNA	
....4	AD480	2203-002494	C-CER,CHIP;470nF,10%,16V,X7R,2012	1	SNA	
....4	C33	2203-002687	C-CER,CHIP;1.2nF,10%,50V,X7R,TP,1005	2	SA	
....4	AC2	2203-002711	C-CER,CHIP;100nF,10%,25V,X7R,1608	126	SA	
....4	AD480	2203-002720	C-CER,CHIP;10nF,10%,25V,X7R,TP,1005	6	SNA	
....4	AD480	2203-005344	C-CER,CHIP;22nF,10%,25V,X7R,TP,1005,-	4	SNA	
....4	AD480	2203-005533	C-CER,CHIP;1000nF,20%,6.3V,X7R,TP,1608	2	SNA	
....4	PC8	2203-005642	C-CER,CHIP;0.22nF,5%,50V,NP0,1005	4	SNA	

5. Exploded View & Part List

Level	Location No.	Code No.	Description & Specification	Q'ty	SA/SNA	Remark
....4	AD480	2203-005809	C-CER,CHIP;1000nF,10%,16V,X7R,TP,2012	1	SC	
....4	AD480	2203-006024	C-CER,CHIP;2200nF,10%,10V,X7R,2012	3	SNA	
....4	VC37	2203-006048	C-CER,CHIP;100nF,10%,10V,X7R,TP,1005	1	SA	
....4	PC11	2203-006141	C-CER,CHIP;1000nF,10%,16V,X5R,1608	6	SNA	
....4	AD480	2203-006143	C-CER,CHIP;22000nF,20%,6.3V,X5R,3216	2	SNA	
....4	C102	2203-006158	C-CER,CHIP;100nF,10%,16V,X7R,1005	78	SNA	
....4	AD480	2203-006307	C-CER,CHIP;1000nF,10%,25V,X5R,2012	1	SNA	
....4	AD480	2203-006333	C-CER,CHIP;10000nF,20%,16V,X5R,TP,3216	28	SNA	
....4	AD480	2203-006336	C-CER,CHIP;10000nF,10%,25V,X5R,3216	15	SA	
....4	AD480	2203-006337	C-CER,CHIP;4700nF,20%,25V,X5R,TP,3225	8	SNA	
....4	C125	2203-006361	C-CER,CHIP;10000nF,10%,10V,X5R,TP,2012	12	SC	
....4	HDC11	2203-006562	C-CER,CHIP;1000nF,10%,10V,X5R,TP,1005	8	SNA	
....4	AD480	2203-006824	C-CER,CHIP;4700nF,10%,10V,X5R,1608	9	SNA	
....4	AD480	2203-007270	C-CER,CHIP;10000nF,10%,10V,X5R,TP,1608	2	SNA	
....4	T0052	2703-000125	INDUCTOR-SMD;10uH,10%,2012	4	SA	
....4	T0052	2703-001079	INDUCTOR-SMD;220nH,5%,2012	1	SNA	
....4	T0052	2703-003559	INDUCTOR-SMD;4.7uH,20%,8080	1	SNA	
....4	T0052	2704-000018	INDUCTOR-SMD-ARRAY;15uH,2000mA,2,0.124oh	1	SA	
....4	X202	2801-000258	CRYSTAL-SMD;0.032768MHz,20ppm,SMD,12.5pF	2	SA	
....4	X202	2801-003667	CRYSTAL-SMD;14.31818MHz,30ppm,28-AAN,16p	1	SA	
....4	X202	2801-003773	CRYSTAL-SMD;12MHz,30ppm,28-AAN,20pF,50oh	1	SA	
....4	F103	2901-001506	FILTER-EMI SMD;5V,0.13A,0pF,2x1x0.5mm,TP	2	SA	
....4	IS01A	3201-000358	IC-SENSOR;ADXL345,LGA,14P,3x5mm,2.5V,130	1	SNA	
....4	L2011	3301-001145	BEAD-SMD;60ohm,4516,TP,70ohm/45MHz,82ohm	2	SNA	
....4	T0568	3301-001404	BEAD-SMD;30ohm,2012,TP,15.9OHM/30MHz	32	SA	
....4	BD401	3301-001569	BEAD-SMD;600ohm,2012,1000mA,TP,520ohm/90	20	SNA	
....4	CD520	3409-001180	SWITCH-DETECTOR;5V DC,1mA,1,0.55gf,PUSH-	1	SA	
....4		3701-001293	CONNECTOR-HDMI;19P,2R,FEMALE,SMD-A,AU	1	SA	
....4	AC510	3708-002562	CONNECTOR-FPC/FFC/PIC;36P,0.5mm,SMD-A,AU	2	SNA	
....4	AC510	3708-002748	CONNECTOR-FPC/FFC/PIC;36P,0.5mm,SMD-A,AU	1	SA	
....4	HB01A	3711-000456	HEADER-BOARD TO CABLE;BOX,4P,1R,1.25mm,S	2	SA	
....4	HB01A	3711-000862	HEADER-BOARD TO CABLE;BOX,3P,1R,1.25MM,S	3	SA	
....4	HB01A	3711-000922	HEADER-BOARD TO CABLE;BOX,4P,1R,1.25mm,S	1	SA	
....4	HB01A	3711-003688	HEADER-BOARD TO CABLE;BOX,8P,1R,1.25MM,S	1	SA	
....4	HB01A	3711-005292	HEADER-BOARD TO CABLE;BOX,3P,1R,2MM,SMD-	2	SA	
....4	HB01A	3711-005509	HEADER-BOARD TO CABLE;BOX,4P,1R,1.25mm,S	2	SA	
....4	HB01A	3711-005543	HEADER-BOARD TO CABLE;BOX,6P,1R,1.25mm,S	1	SA	
....4	CON_US	3711-005616	HEADER-BOARD TO CABLE;BOX,10P,1R,2mm,SMD	1	SNA	
....4	T0010	BN27-00009A	COIL CHOKE;SMD 12x12x6,EOS,33uH,15%,0.12	1	SA	
....4	T0077	BP41-00389A	PCB MAIN;M250,FR-4,4,1.2T,150x159(150x17	1	SNA	
....4		BP97-01389A	ASSY MICOM-MAIN;SP2053	1	SNA	
....5		1107-001735	IC-NOR FLASH;MX25L3205DM2I-12G,32Mbit,16	1	SNA	
....4		BP97-01390A	ASSY MICOM-SUB;SP2053	1	SNA	
....5	IC520	0903-001552	IC-MICROCONTROLLER;WT61P8-RG480WT,LQFP,4	1	SNA	
..2	MI03A	BP94-02372A	ASSY PCB MISC-IR;SP2503XWX/EN	1	SA	
...3		0202-001463	SOLDER-WIRE;LFC2-W3.0,-,D3,99.79Sn/0.2Cu	0.135	SNA	
...3		0202-001608	SOLDER-WIRE FLUX;LFC7-107,D0.8,99.3Sn/0.	0.003	SNA	
...3		0204-002420	SOLVENT;1M-1000,C3H7OH,96	3.25	SNA	
...3		0204-002607	FLUX;DF-234U,13%,14KG,Gravity 0.82	2.116	SNA	
...3		BP97-01388A	ASSY SMD-IR;SP2503XWX/EN	1	SNA	
....4		0202-001477	SOLDER-CREAM;LST309-M,D20~45um,96.5Sn/3A	0.037	SNA	

5. Exploded View & Part List

Level	Location No.	Code No.	Description & Specification	Q'ty	SA/SNA	Remark
...4	PR6	2007-000072	R-CHIP;47ohm,5%,1/10W,TP,1608	1	SNA	
...4	C125	2203-006361	C-CER,CHIP;10000nF,10%,10V,X5R,TP,2012	1	SC	
...4	HB01A	3711-000862	HEADER-BOARD TO CABLE;BOX,3P,1R,1.25MM,S	1	SA	
...4	D0254	BN32-00002A	MODULE REMOCON;846HF,38KHZ,940NM,6.8*8.8	1	SA	
...4		BP41-00391A	PCB-IR;M250,FR-4,2,0,1.6,163*140,C41A,25	1	SNA	
..2	MR02A	BP94-02373A	ASSY PCB MISC-RS232;SP2503XWX/EN	1	SA	
...3		0202-001463	SOLDER-WIRE;LFC2-W3.0,-,D3,99.79Sn/0.2Cu	0.179	SNA	
...3		0202-001608	SOLDER-WIRE FLUX;LFC7-107,D0.8,99.3Sn/0.	0.003	SNA	
...3		0204-002420	SOLVENT;1M-1000,C3H7OH,96	4.01	SNA	
...3		0204-002607	FLUX;DF-234U,13%,14KG,Gravity 0.82	2.609	SNA	
...3		3701-001319	CONNECTOR-DSUB;9P,2R,MALE,STRAIGHT,AUF	1	SA	
...3	HB01A	3711-004386	HEADER-BOARD TO CABLE;BOX,3P,1R,2mm,ANGL	1	SA	
...3		BP41-00392A	PCB-RS 232;M250,FR-4,1,0,1.6,144.5*158,C	1	SNA	
..2	M9059	BP96-02123A	ASSY SENSOR P-NTC BOARD;SP-L300W,CT5000-	1	SA	
..2	M9059	BP96-02123C	ASSY SENSOR P-NTC BOARD;SP-M250,CT5000-7	1	SNA	
..2	M0020	BP96-02266A	ASSY BOARD P-KEY COUNTROL/LED;SP-M250,CT	1	SA	