

SECTION 8
REPAIR PARTS LIST

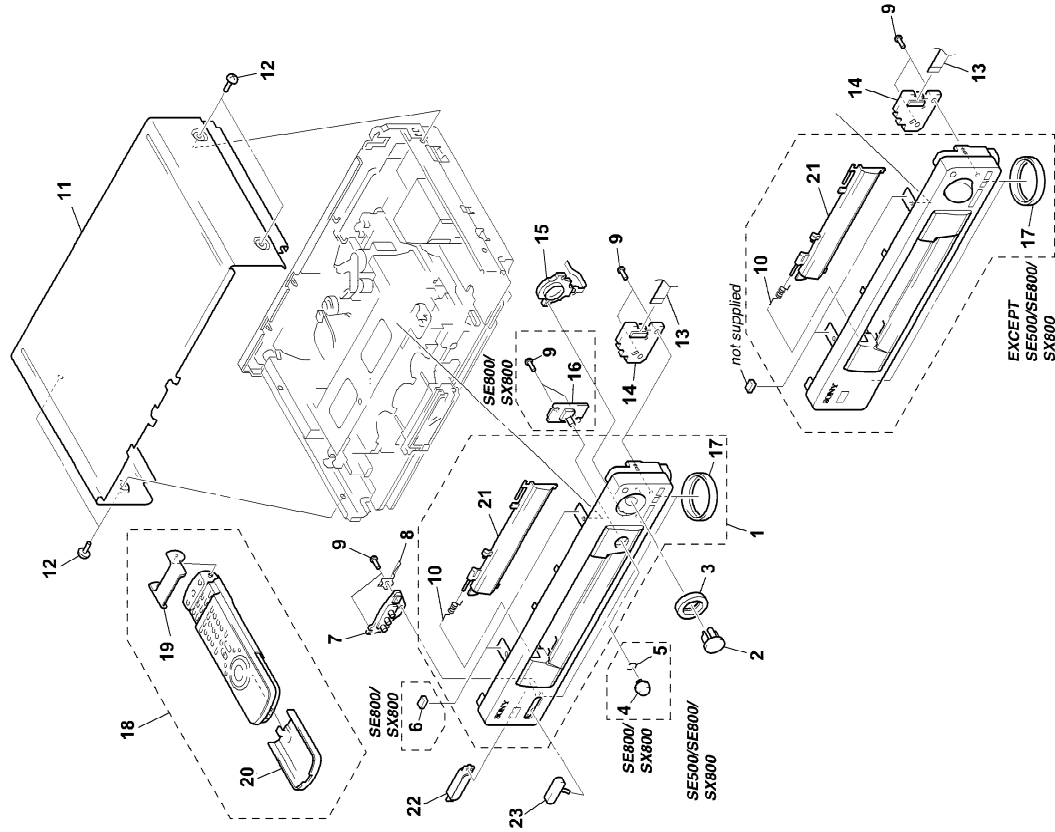
8-1. EXPLODED VIEWS

NOTE:

- -XX and -X mean standardized parts, so they may have some difference from the original one.
- Items marked ** are not stocked since they are seldom required for routine service. Some delay should be anticipated when ordering these items.

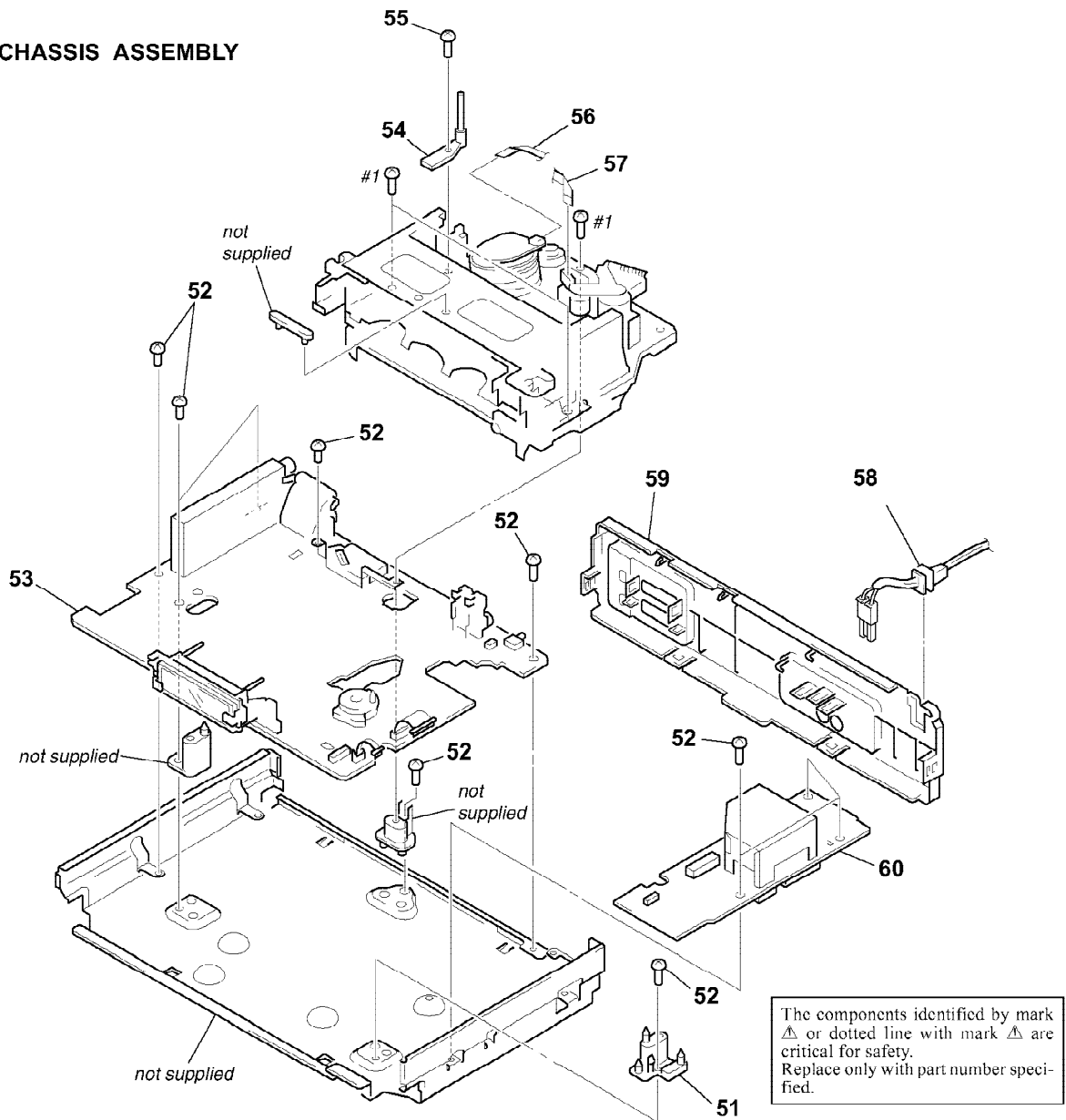
The components identified by mark Δ or dotted line with mark Δ are critical for safety. Replace only with part number specified.

8-1-1. FRONT PANEL AND CABINET ASSEMBLIES



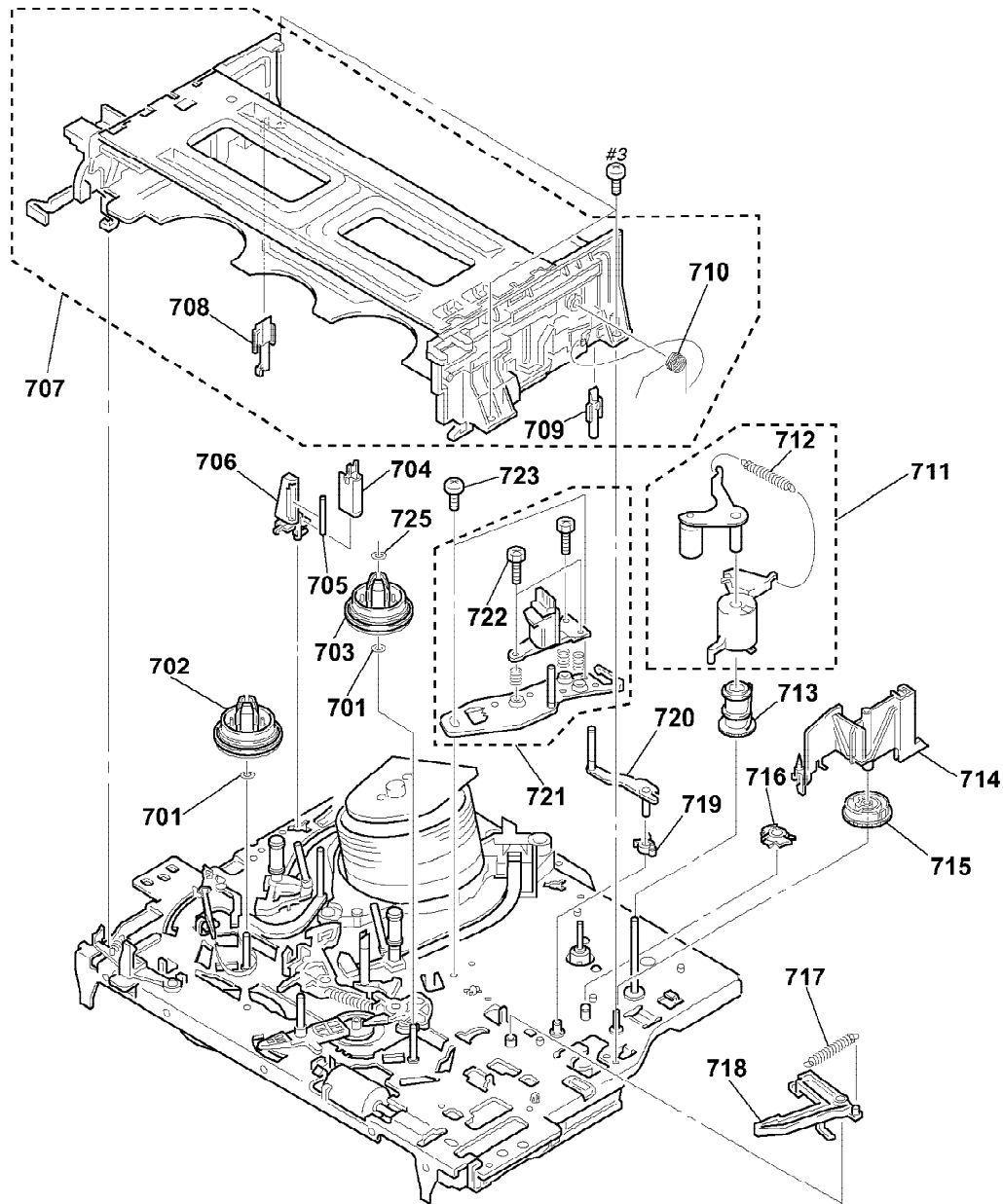
Ref. No.	Part No.	Description	Remark
1	X-3950-127-1	PANEL ASSY, FRONT (SE350)	
1	X-3950-128-1	PANEL ASSY, FRONT (SE500)	
1	X-3950-129-1	PANEL ASSY, FRONT (SE500K)	
1	X-3950-130-1	PANEL ASSY, FRONT (SE600, A, E)	
1	X-3950-132-1	PANEL ASSY, FRONT (SE600)	
1	X-3950-133-1	PANEL ASSY, FRONT (SE650)	
1	X-3950-134-1	PANEL ASSY, FRONT (SE700G) (BLACK)	
1	X-3950-135-1	PANEL ASSY, FRONT (SE700, D1, D2, E1, E2)	
1	X-3950-139-1	PANEL ASSY, FRONT (SE700, G, J) (GRAY)	
1	X-3950-141-1	PANEL ASSY, FRONT (SX700, D, E)	
1	X-3950-143-1	PANEL ASSY, FRONT (SE700R)	
1	X-3950-144-1	PANEL ASSY, FRONT (SE700R)	
1	X-3950-145-1	PANEL ASSY, FRONT (SE700K)	
1	X-3950-146-1	PANEL ASSY, FRONT (SE600H)	
1	X-3950-147-1	PANEL ASSY, FRONT (SE800H)	
1	X-3950-148-1	PANEL ASSY, FRONT (SE800K)	
1	X-3950-155-1	PANEL ASSY, FRONT (H) (SE800, D1, D2, E)	
1	X-3950-158-1	PANEL ASSY, FRONT (SE800B)	
1	X-3950-159-1	PANEL ASSY, FRONT (SE800G)	
1	X-3950-170-1	PANEL ASSY, FRONT (SX800)	
1	X-3950-201-1	PANEL ASSY, FRONT (SE700B)	
1	X-3950-202-1	PANEL ASSY, FRONT (SX700B)	
1	X-3950-210-1	PANEL ASSY, FRONT (SE600B)	
2	3-057-602-01	BUTTON (H), CENTER (SE800, D1, D2, E, G)	
2	3-057-602-21	BUTTON (H), CENTER (SE800B)	
2	3-057-602-31	BUTTON (H), CENTER (SX600)	
3	3-057-601-01	RING (H), CHANGE SPEED (SE800, B, D1, D2, E, G)	
3	3-057-601-11	RING (H), CHANGE SPEED (SE500/SE800, K, N)	
3	3-057-601-21	RING (H), CHANGE SPEED (SX800)	
4	3-057-603-01	DIAL, KK (SE800, B, D1, D2, E, G)	
4	3-057-603-11	DIAL, KK (SE800, K, N/SX800)	
5	3-055-077-01	SPRING, ETR (P5) (SE800/SX800)	
6	3-978-737-11	CUSHION (FP), RUBBER (SE800, B, D1, D2, E, G/SX800)	
* 7	A-6794-749-A	JK-190 BOARD, COMPLETE (SE800, B, D1, D2, E, G/SX800)	
* 7	A-6794-752-A	JK-180 BOARD, COMPLETE (SE800, K, N)	
* 7	A-6794-755-A	JK-190 BOARD, COMPLETE (SE500)	
8	3-057-607-01	PLATE, JK EARTH (SE500/SE800/SX800)	
9	4-921-277-41	SCREW (B2, EX8), TAPPING, BIND	
10	3-953-432-01	SPRING (GE), FL	
11	3-057-608-21	CASE, UPPER (SE700, G, J/SX600/SX700)	(GRAY)
11	3-057-608-31	CASE, UPPER (SE350/SE500/SE600/SE650/SE700, B, D1, D2, E1, E2, G, K, M, R/SE800, K, N) (BLACK)	
11	3-056-350-21	CASE, UPPER (SE800, B, D1, D2, E, E)	
11	3-056-350-31	CASE, UPPER (SX800)	
12	3-363-099-01	SCREW (CASE 3 TP2) (EXCEPT SE700, G, J/SE800, B, D1, D2, E, G/SX600/SX700) (BLACK)	
12	3-363-099-11	SCREW (CASE 3 TP2) (SE700, G, J/SE800, B, D1, D2, E, G/SX600/SX700) (GRAY)	
13	1-792-020-11	CABLE, FLAT (FDS-7) (SE500/SE600/SX800)	
13	1-792-021-11	CABLE, FLAT (FDS-8)	
* 14	A-6794-748-A	DS-91 BOARD, COMPLETE (EXCEPT SE500/SE600/SX800)	
* 14	A-6794-751-A	DS-91 BOARD, COMPLETE (SE350/SE600/SE650/SE700/SX500/SX700)	
* 14	A-6794-754-A	DS-91 BOARD, COMPLETE (SE800, B, D1, D2, E, G/SX800)	
* 14	A-6794-756-A	DS-91 BOARD, COMPLETE (SE800, K, N)	
15	1-752-844-31	SWITCH, ROTARY (SE500/SE800/SX600)	
* 16	A-6794-750-A	KK-23 BOARD, COMPLETE (SE800, B, D1, D2, E, G/SX800)	
17	3-053-395-01	INSULATOR	
18	1-418-010-11	COMMANDER, STANDARD (RMF-V259) (SE500/SE700, D1, D2, E1, E2, K, N, R/SE800, K, N/SX800)	
18	1-418-010-21	COMMANDER, STANDARD (RMF-V259A)	
18	1-418-780-11	COMMANDER, STANDARD (RMF-V286) (SE700B)	
18	1-418-780-21	COMMANDER, STANDARD (RMF-V286A) (SE350/SE600, A, E, N/SE500/SX600)	
18	1-418-782-11	COMMANDER, STANDARD (RMF-V259K) (SE800B)	
18	1-418-782-21	COMMANDER, STANDARD (RMF-V259L) (SE700, G, J/SE800, D1, D2, E/SX700, D, E)	
19	3-709-430-01	COVER, REMOTE CONTROL (for RMT-V288/V288A/V259/V259A) (EXCEPT SE700, G, J/SE800, B, D1, D2, E, G/SX700)	
19	3-709-430-11	COVER, REMOTE CONTROL (for RMT-V259L/V259K)	
20	3-709-431-01	COVER, REMOTE CONTROL BATTERY (for RMF-V288/288A/V259/V259A) (EXCEPT SE700, G, J/SE800, B, D1, D2, E, G/SX700)	
20	3-709-431-11	COVER, REMOTE CONTROL BATTERY (for RMT-V259L/V259K)	
22	3-057-795-11	HOLDER, JK (SE800, K, N/SX800)	
22	3-057-795-21	HOLDER, JK (SE500)	
23	3-057-795-11	CAP, JK (SE500/SE800, K, N/SX800)	

8-1-2. CHASSIS ASSEMBLY



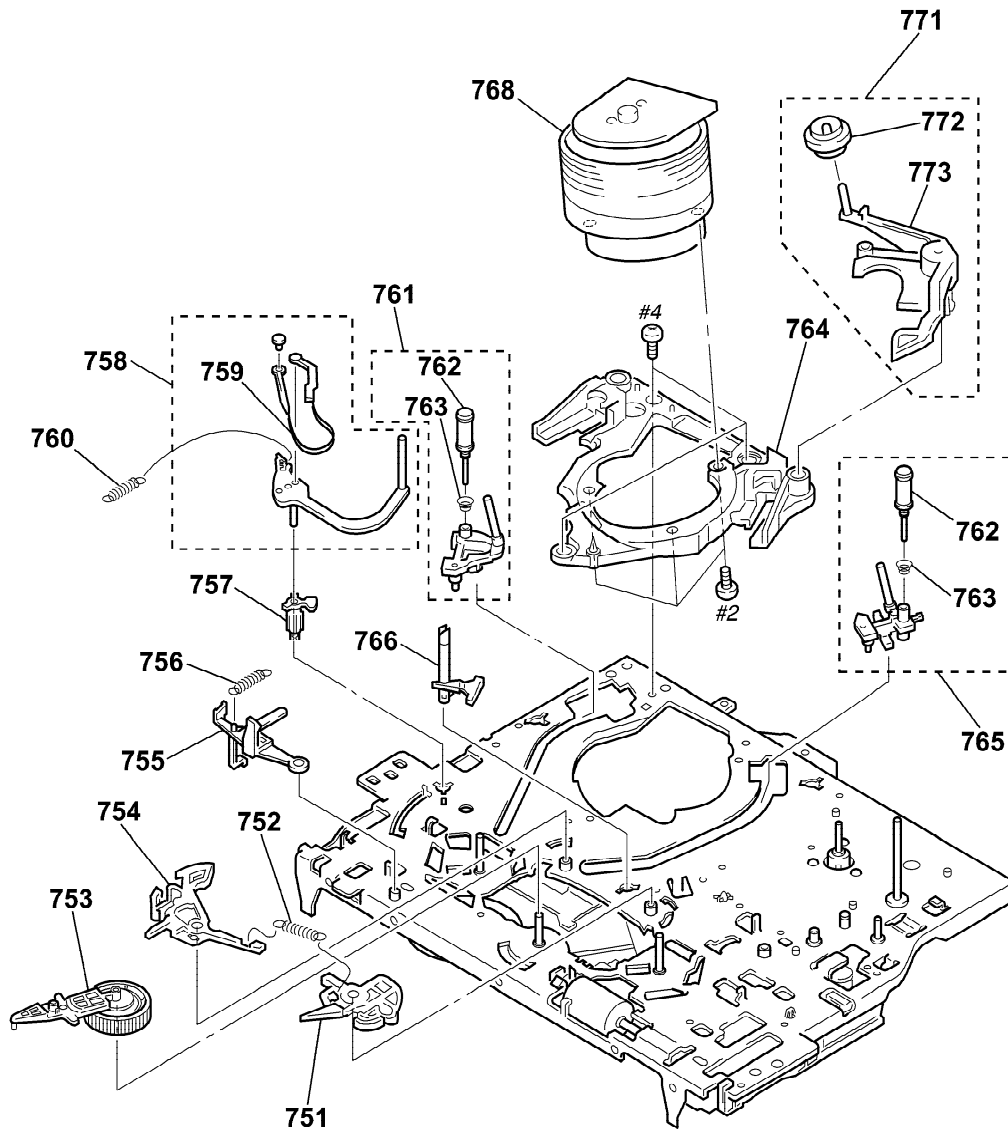
Ref. No.	Part No.	Description	Remark	Ref. No.	Part No.	Description	Remark
51	3-057-805-01	BASE, MD (R), KS		* 53	A-6713-596-A	MA-373 BOARD, COMPLETE (SE800E)	
52	3-970-608-21	SUMITITE (B3), +BV		* 53	A-6713-597-A	MA-373 BOARD, COMPLETE (SE700N)	
* 53	A-6713-579-A	MA-373 BOARD, COMPLETE (SE700B/SX700B)		* 53	A-6713-598-A	MA-373 BOARD, COMPLETE (SE700K)	
* 53	A-6713-580-A	MA-373 BOARD, COMPLETE (SE800B)		* 53	A-6713-599-A	MA-373 BOARD, COMPLETE (SE600N)	
* 53	A-6713-581-A	MA-373 BOARD, COMPLETE (SE800K)		54	X-3949-549-1	TGO ASSY (MSR)	
* 53	A-6713-582-A	MA-373 BOARD, COMPLETE (SE800G)		55	3-979-112-01	SCREW SW (+) BVPT 3X10	
* 53	A-6713-583-A	MA-373 BOARD, COMPLETE (SE700G)		56	1-792-022-11	CABLE, FLAT (FFM-001)	
* 53	A-6713-584-A	MA-373 BOARD, COMPLETE (SE600B)		57	1-792-018-11	CABLE, FLAT (FAC-8)	
* 53	A-6713-585-A	MA-373 BOARD, COMPLETE (SE500R)		▲ 58	1-782-012-11	CORD, POWER	
* 53	A-6713-586-A	MA-373 BOARD, COMPLETE (SE700R)		59	3-057-809-01	PANEL, REAR (SE650/SE700: B, D1, D2, E1, E2, K, N/ SX700)	
* 53	A-6713-587-A	MA-373 BOARD, COMPLETE (SE350)		59	3-057-809-11	PANEL, REAR (SE500R)	
* 53	A-6713-588-A	MA-373 BOARD, COMPLETE (SE500K)		59	3-057-809-21	PANEL, REAR (SE500K)	
* 53	A-6713-589-A	MA-373 BOARD, COMPLETE (SE600A)		59	3-057-809-31	PANEL, REAR (SE800G)	
* 53	A-6713-590-A	MA-373 BOARD, COMPLETE (SE600E/SX600)		59	3-057-809-41	PANEL, REAR (SE800K)	
* 53	A-6713-591-A	MA-373 BOARD, COMPLETE (SE650/SE700: D1, D2/SX700D)		59	3-057-809-51	PANEL, REAR (SE700: G, I)	
* 53	A-6713-592-A	MA-373 BOARD, COMPLETE (SE700: E1, E2/SX700E)		59	3-057-809-61	PANEL, REAR (SE350/SE600: A, N)	
* 53	A-6713-593-A	MA-373 BOARD, COMPLETE (SE700I)		59	3-057-809-71	PANEL, REAR (SE600: B, E/SX600)	
* 53	A-6713-594-A	MA-373 BOARD, COMPLETE (SE800: D1, D2/SX800)		59	3-057-809-81	PANEL, REAR (SE700R)	
* 53	A-6713-595-A	MA-373 BOARD, COMPLETE (SE800N)		59	3-057-809-91	PANEL, REAR (SE800: B, D1, D2, E, N/SX800)	
				60	1-468-458-11	POWER BLOCK (SRV938EK)	

8-1-3. MECHANISM CHASSIS ASSEMBLY (1)



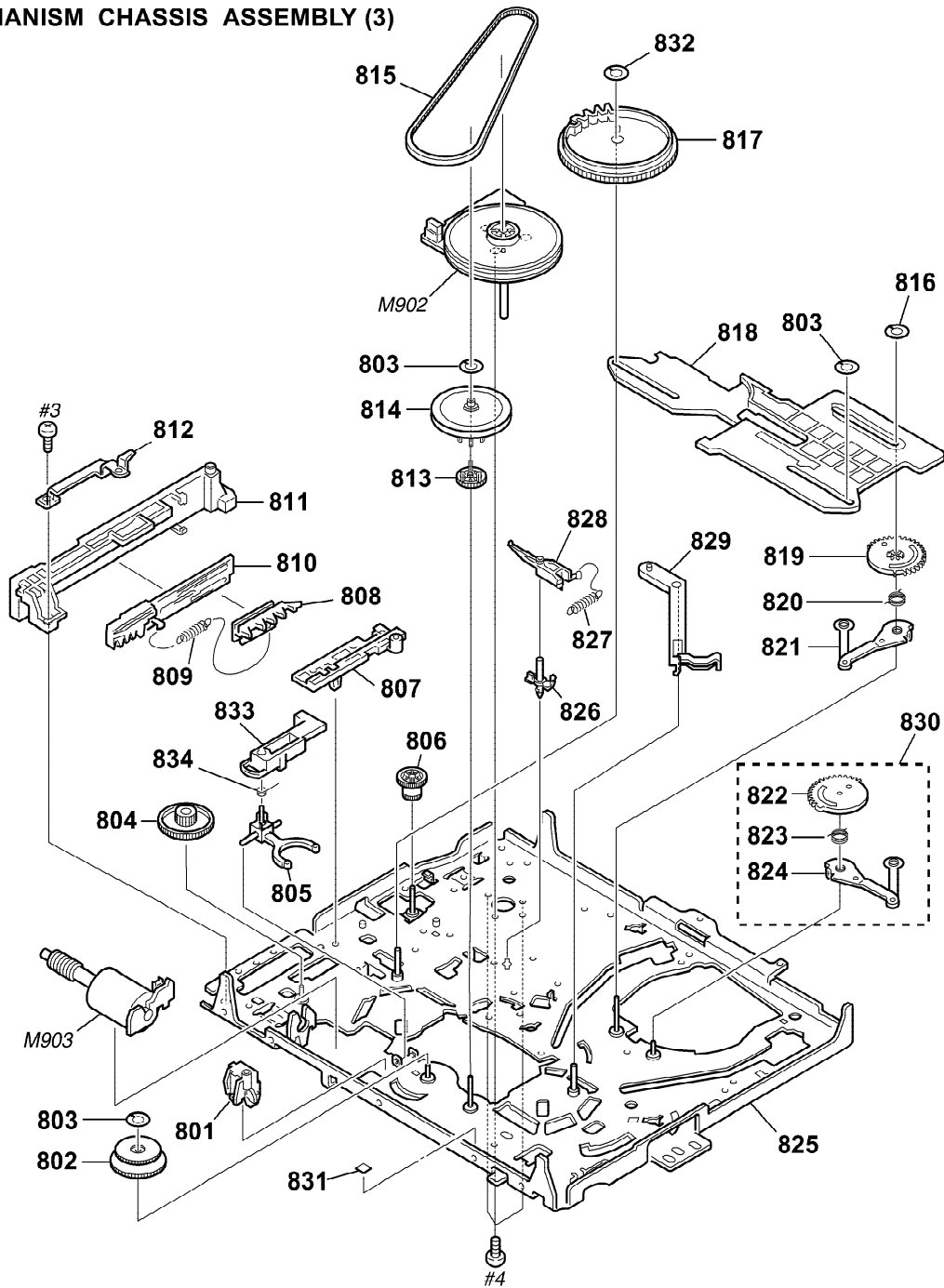
<u>Ref. No.</u>	<u>Part No.</u>	<u>Description</u>	<u>Remark</u>	<u>Ref. No.</u>	<u>Part No.</u>	<u>Description</u>	<u>Remark</u>
701	3-977-509-01	WASHER, THRUST		713	3-977-447-01	GEAR, ELEVATOR	
702	3-977-507-01	TABLE, REEL (S)		714	3-977-514-01	OPENER, LID	
703	3-977-508-01	TABLE, REEL (T)		715	3-977-441-03	GEAR, PINCH PRESSING	
704	1-500-144-11	HEAD, FE		716	3-977-445-02	GEAR, TG8 ARM DRIVING	
705	3-977-495-01	SHAFT TG2		717	3-977-465-01	SPRING, EXTENSION (RVS BRAKE)	
706	3-977-494-01	HOLDER, FEH		718	X-3947-582-1	ARM ASSY, RVS BRAKE	
707	A-6759-619-B	FL COMPLETE ASSY		720	X-3947-590-1	TG8 ASSY	
708	3-977-535-01	PLATE, LUMINOUS (END SENSOR)		721	A-6775-791-A	HEAD BLOCK ASSY, ACE FFC	
709	3-977-536-01	PLATE, LUMINOUS (TOP SENSOR)		722	3-974-556-11	+HEXA TT 2.6X9 (TAPER)	
710	3-970-471-01	SPRING (DECK OPEN), TORSION		723	3-979-508-01	SCREW +HEXA TP SW 3X8	
711	A-6759-863-B	PRESS BLOCK ASSY, PINCH		725	3-977-443-01	WASHER, STOPPER	
712	3-958-455-01	SPRING (PINCH), TENSION					

8-1-4. MECHANISM CHASSIS ASSEMBLY (2)



Ref. No.	Part No.	Description	Remark	Ref. No.	Part No.	Description	Remark
751	X-3949-363-1	BRAKE ASSY, MAIN (T)		764	3-969-632-04	BASE, DRUM	
752	3-053-882-01	SPRING, TENS (MAIN BRAKE)		765	A-6750-328-E	SHUTTLE (T) BLOCK ASSY	
753	X-3947-573-1	ARM ASSY, PENDULUM		766	3-977-501-01	PLATE, LUMINOUS	
754	X-3949-362-1	BRAKE ASSY, MAIN (S)		768	1-772-361-11	DRUM ASSY, DZH-92D (SE350)	
755	3-977-513-02	LEVER, REC. PROOF		768	1-772-362-11	DRUM ASSY, DZH-93D (SE500)	
756	3-976-767-01	SPRING, TENS. (REC. PROOF)		768	1-772-364-11	DRUM ASSY, DZH-0B5A (EXCEPT SE350/ SE500/SE600B/SE700B/SE800B/SX700B)	
757	3-977-487-01	BOSS, TG1 FULCRUM		768	1-772-365-11	DRUM ASSY, DZH-0B6A (SE600B/SE700B/SE800B/SX700B)	
758	X-3950-427-1	TG1 ASSY (SD)		771	A-6746-074-G	ROLLER BLOCK ASSY, HC	
759	X-3950-373-1	BAND ASSY, TG1 (SD)		772	X-3947-255-1	ROLLER ASSY, HC	
760	3-977-488-01	SPRING (POWER TENSION)		773	3-975-724-07	ARM, HC	
761	A-6750-324-A	SHUTTLE (S) BLOCK ASSY					
762	X-3948-050-1	ROLLER ASSY, GUIDE					
763	3-965-178-01	SPRING					

8-1-5. MECHANISM CHASSIS ASSEMBLY (3)



Ref. No.	Part No.	Description	Remark	Ref. No.	Part No.	Description	Remark
801	3-977-437-01	RETAINER, CAM MOTOR		819	3-977-455-01	GEAR, LOADING (T)	
802	X-3949-364-1	ASSY, REEL DIRECT SELECT (B)		820	3-977-456-03	SPRING, TORSION (LOAD T)	
803	3-977-443-01	WASHER, STOPPER		821	X-3947-579-1	LEVER ASSY, LOADING (T)	
804	3-977-438-01	WORM - WHEEL		822	3-977-451-01	GEAR, LOADING (S)	
805	3-053-887-01	ARM, LIMITTER SELECTION		823	3-977-452-01	SPRING, TORSION (LOAD S)	
806	3-977-444-01	GEAR, PINCH TRANSMISSION		824	X-3947-578-1	LEVER ASSY, LOADING (S)	
807	3-977-515-01	GUIDE, FL SLIDER		825	X-3947-576-2	CHASSIS ASSY, MECHANICAL	
808	3-977-517-01	PLATE, SLIDE, FL		826	3-977-468-01	SHAFT, CAPSTAN BRAKE	
809	3-977-519-01	SPRING, TENS. (LIMIT, FL)		827	3-977-467-02	SPRING, CAP BRAKE	
810	3-977-518-02	PLATE, LIMITTER, FL		828	X-3947-583-1	BRAKE ASSY, CAPSTAN	
811	3-977-516-01	HOLDER, FL SLIDER		829	3-977-489-01	ARM, TG1 DRIVING	
812	3-977-877-01	PLATE, RETAINER		830	A-6759-616-A	GEAR BLOCK ASSY, LOADING (S)	
813	3-977-504-01	GEAR, CLUTCH		831	3-989-917-01	SPACER (REC PROOF)	
814	X-3949-365-1	GEAR ASSY PULLEY (B)		832	3-056-952-11	WASHER, STOPPER	
815	3-977-510-01	BELT, RUBBER		833	3-053-888-01	BASE, DIRECT SELECT (B)	
816	3-056-824-01	WASHER, STOPPER		834	3-053-889-01	SPRING, TORSION (DIRECT SELECT)	
817	3-977-439-01	GEAR, CAM		M902	1-698-971-11	MOTOR, DC (CAPSTAN)	
818	3-053-878-01	SLIDER (B)		M903	X-3947-577-1	MOTOR ASSY, CAM	

8-2. ELECTRICAL PARTS LIST

NOTE:

- Due to standardization, replacements in the parts list may be different from the parts specified in the diagrams or the components used on the set.
- -XX and -X mean standardized parts, so they may have some difference from the original one.
- RESISTORS
All resistors are in ohms.
METAL: Metal-film resistor.
METAL OXIDE: Metal oxide-film resistor.
F: nonflammable
- Items marked “**” are not stocked since they are seldom required for routine service. Some delay should be anticipated when ordering these items.
- SEMICONDUCTORS
In each case, u: μ , for example:
uA. . . : μ A. . . uPA. . . : μ PA. . .
uPB. . . : μ PB. . . uPC. . . : μ PC. . .
uPD. . . : μ PD. . .
- CAPACITORS
uF: μ F
- COILS
uH: μ H
- Not all of the parts for POWER BLOCK (SRV938EK) are listed.

The components identified by mark Δ or dotted line with mark Δ are critical for safety. Replace only with part number specified.

When indicating parts by reference number, please include the board.

Ref. No.	Part No.	Description	Remark	Ref. No.	Part No.	Description	Remark
*	A-6794-748-A	DS-91 BOARD, COMPLETE (SE350/SE600/SE650/SE700/SX600/SX700)		S455	1-771-410-21	SWITCH, TACT (▶▶)	
*	A-6794-751-A	DS-91 BOARD, COMPLETE (SE800: B, D1, D2, E, G/SX800)		S456	1-771-410-21	SWITCH, TACT (■)	
*	A-6794-754-A	DS-91 BOARD, COMPLETE (SE800: K, N)		*	A-6794-749-A	JK-180 BOARD, COMPLETE (SE800: B, D1, D2, E, G/SX800)	
*	A-6794-756-A	DS-91 BOARD, COMPLETE (SE500) ***** (Ref.No. 1,000 Series)		*	A-6794-752-A	JK-180 BOARD, COMPLETE (SE800: K, N)	
		< CONNECTOR >		*	A-6794-755-A	JK-180 BOARD, COMPLETE (SE500) ***** (Ref.No. 1,000 Series)	
CN450	1-784-447-11	CONNECTOR, FFC/FPC 5P (SE500/SE800/SX800)				< CAPACITOR >	
CN451	1-563-614-31	HOUSING, CONNECTOR 11P (SE500/SE800/SX800)		C481	1-163-009-11	CERAMIC CHIP 0.001uF 10% 50V	
* CN452	1-568-942-11	PIN, CONNECTOR 4P (SE800/SX800)		C491	1-163-009-11	CERAMIC CHIP 0.001uF 10% 50V	
CN453	1-691-064-31	HOUSING, CONNECTOR 5P (EXCEPT SE500/SE800/SX800)		C493	1-163-009-11	CERAMIC CHIP 0.001uF 10% 50V (SE800/SX800)	
		< DIODE >				< DIODE >	
D450	8-719-056-06	DIODE SLR-342DCT31 (JOG) (SE500/SE800/SX800)		D480	8-719-070-59	DIODE PDZ6.8B-115	
		< TRANSISTOR >		D481	8-719-067-40	DIODE STZ6.8N-T146	
Q450	8-729-043-29	TRANSISTOR PDTC144EK-115 (SE500/SE800/SX800)		D490	8-719-067-40	DIODE STZ6.8N-T146	
		< RESISTOR >		D491	8-719-067-40	DIODE STZ6.8N-T146 (SE800/SX800)	
R450	1-216-041-00	METAL CHIP 470 5% 1/10W (SE500/SE800/SX800)				< JACK >	
R451	1-216-057-00	METAL CHIP 2.2K 5% 1/10W		J481	1-774-509-11	JACK, PIN 3P (LINE-2 IN) (SE800/SX800)	
R452	1-216-049-91	RES, CHIP 1K 5% 1/10W		J481	1-774-510-11	JACK, PIN 2P (LINE-2 IN) (SE500)	
R453	1-216-053-00	METAL CHIP 1.5K 5% 1/10W				< SHORT >	
R454	1-216-057-00	METAL CHIP 2.2K 5% 1/10W		JS480	1-216-295-91	SHORT 0 (SE500)	
R455	1-216-061-00	METAL CHIP 3.3K 5% 1/10W		JS494	1-216-296-91	SHORT 0 (SE500)	
R456	1-216-065-91	RES, CHIP 4.7K 5% 1/10W				< RESISTOR >	
		< SWITCH >		R480	1-216-022-00	METAL CHIP 75 5% 1/10W	
S450	1-771-410-21	SWITCH, TACT (REC ●)		R490	1-216-041-00	METAL CHIP 470 5% 1/10W	
S451	1-771-410-21	SWITCH, TACT (◀◀)		R491	1-216-041-00	METAL CHIP 470 5% 1/10W (SE800/SX800)	
S452	1-771-410-21	SWITCH, TACT (STOP ■) (EXCEPT SE500/SE800/SX800)					
S453	1-771-410-21	SWITCH, TACT (PLAY ▶)					
S454	1-771-410-21	SWITCH, TACT (JOG) (SE500/SE800/SX800)					

Ref. No.	Part No.	Description	Remark
*	A-6794-750-A	KK-23 BOARD, COMPLETE (SE800: B, D1, D2, E, G/SX800)	
*	A-6794-753-A	KK-23 BOARD, COMPLETE (SE800: K, N) ***** (Ref.No. 1,000 Series)	
		< SWITCH >	
S410	1-418-156-11	ENCODER, ROTARYRY (DIAL TIMER)	
*	A-6713-579-A	MA-373 BOARD, COMPLETE (SE700B/SX700B)	
*	A-6713-580-A	MA-373 BOARD, COMPLETE (SE800B)	
*	A-6713-581-A	MA-373 BOARD, COMPLETE (SE800K)	
*	A-6713-582-A	MA-373 BOARD, COMPLETE (SE800G)	
*	A-6713-583-A	MA-373 BOARD, COMPLETE (SE700G)	
*	A-6713-584-A	MA-373 BOARD, COMPLETE (SE600B)	
*	A-6713-585-A	MA-373 BOARD, COMPLETE (SE500R)	
*	A-6713-586-A	MA-373 BOARD, COMPLETE (SE700R)	
*	A-6713-587-A	MA-373 BOARD, COMPLETE (SE350)	
*	A-6713-588-A	MA-373 BOARD, COMPLETE (SE500K)	
*	A-6713-589-A	MA-373 BOARD, COMPLETE (SE600A)	
*	A-6713-590-A	MA-373 BOARD, COMPLETE (SE600E/SX600)	
*	A-6713-591-A	MA-373 BOARD, COMPLETE (SE650/SE700: D1, D2/SX700D)	
*	A-6713-592-A	MA-373 BOARD, COMPLETE (SE700: E1, E2/SX700E)	
*	A-6713-593-A	MA-373 BOARD, COMPLETE (SE700I)	
*	A-6713-594-A	MA-373 BOARD, COMPLETE (SE800: D1, D2/SX800)	
*	A-6713-595-A	MA-373 BOARD, COMPLETE (SE800N)	
*	A-6713-596-A	MA-373 BOARD, COMPLETE (SE800E)	
*	A-6713-597-A	MA-373 BOARD, COMPLETE (SE700N)	
*	A-6713-598-A	MA-373 BOARD, COMPLETE (SE700K)	
*	A-6713-599-A	MA-373 BOARD, COMPLETE (SE600N) ***** (Ref.No. 1,000 Series)	
	3-057-806-01	BASE, FL (EXCEPT SE800: B, D1, D2, E, G/SX800)	
	3-057-806-11	BASE, FL (SE800: B, D1, D2, E, G/SX800)	
	3-058-480-01	HOLDER, FLO (EXCEPT SE800: B, D1, D2, E, G/SX800)	
	3-058-480-11	HOLDER, FLO (SE800: B, D1, D2, E, G/SX800)	
*	3-960-273-01	SPACER, TOP END	
*	3-960-274-01	SPACER, LED < CAPACITOR >	
C001	1-163-021-91	CERAMIC CHIP 0.01uF 10% 50V (SE500/SE650/SE700/SE800/SX700/SX800)	
C002	1-124-584-00	ELECT 100uF 20% 10V (SE500/SE650/SE700/SE800/SX700/SX800)	
C003	1-109-982-11	CERAMIC CHIP 1uF 10% 10V (SE500/SE650/SE700/SE800/SX700/SX800)	
C004	1-124-259-11	ELECT 4.7uF 20% 16V (SE500/SE650/SE700/SE800/SX700/SX800)	
C006	1-110-501-11	CERAMIC CHIP 0.33uF 10% 16V (SE500/SE650/SE700/SE800/SX700/SX800)	
C007	1-126-157-11	ELECT 10uF 20% 16V (SE500/SE650/SE700/SE800/SX700/SX800)	
C008	1-163-021-91	CERAMIC CHIP 0.01uF 10% 50V (SE500/SE650/SE700/SE800/SX700/SX800)	
C009	1-163-021-91	CERAMIC CHIP 0.01uF 10% 50V (SE500/SE650/SE700/SE800/SX700/SX800)	

Ref. No.	Part No.	Description	Remark
C010	1-163-021-91	CERAMIC CHIP 0.01uF 10% 50V (SE500/SE650/SE700/SE800/SX700/SX800)	
C100	1-163-009-11	CERAMIC CHIP 0.001uF 10% 50V	
C101	1-163-009-11	CERAMIC CHIP 0.001uF 10% 50V	
C102	1-163-009-11	CERAMIC CHIP 0.001uF 10% 50V	
C103	1-128-057-11	ELECT 330uF 20% 6.3V	
C105	1-163-009-11	CERAMIC CHIP 0.001uF 10% 50V	
C107	1-104-664-11	ELECT 47uF 20% 16V	
C108	1-127-573-91	CERAMIC CHIP 1uF 10% 16V (SE350/SE500)	
C113	1-163-021-91	CERAMIC CHIP 0.01uF 10% 50V	
C114	1-163-021-91	CERAMIC CHIP 0.01uF 10% 50V	
C115	1-163-038-91	CERAMIC CHIP 0.1uF 25V	
C120	1-163-021-91	CERAMIC CHIP 0.01uF 10% 50V	
C121	1-163-021-91	CERAMIC CHIP 0.01uF 10% 50V	
C122	1-104-664-11	ELECT 47uF 20% 16V	
C123	1-163-021-91	CERAMIC CHIP 0.01uF 10% 50V	
C131	1-124-589-11	ELECT 47uF 20% 16V	
C133	1-164-004-11	CERAMIC CHIP 0.1uF 10% 25V	
C134	1-164-004-11	CERAMIC CHIP 0.1uF 10% 25V	
C140	1-126-933-11	ELECT 100uF 20% 16V	
C141	1-163-021-91	CERAMIC CHIP 0.01uF 10% 50V	
C142	1-163-037-11	CERAMIC CHIP 0.022uF 10% 25V	
C143	1-126-965-11	ELECT 22uF 20% 50V	
C144	1-126-965-11	ELECT 22uF 20% 50V	
C145	1-126-933-11	ELECT 100uF 20% 16V	
C146	1-164-161-11	CERAMIC CHIP 0.0022uF 10% 100V	
C147	1-164-004-11	CERAMIC CHIP 0.1uF 10% 25V (SE500/SE800/SX800)	
C148	1-163-021-91	CERAMIC CHIP 0.01uF 10% 50V	
C149	1-126-934-11	ELECT 220uF 20% 16V	
C150	1-126-963-11	ELECT 4.7uF 20% 50V	
C160	1-163-021-91	CERAMIC CHIP 0.01uF 10% 50V	
C161	1-163-021-91	CERAMIC CHIP 0.01uF 10% 50V	
C162	1-104-905-11	CAPACITOR 0.22F 5.5V	
C163	1-163-021-91	CERAMIC CHIP 0.01uF 10% 50V	
C164	1-125-972-91	ELECT 100uF 20% 16V	
C165	1-163-021-91	CERAMIC CHIP 0.01uF 10% 50V	
C166	1-163-021-91	CERAMIC CHIP 0.01uF 10% 50V	
C167	1-163-809-11	CERAMIC CHIP 0.047uF 10% 25V	
C168	1-163-235-11	CERAMIC CHIP 22PF 5% 50V	
C169	1-163-235-11	CERAMIC CHIP 22PF 5% 50V	
C170	1-164-004-11	CERAMIC CHIP 0.1uF 10% 25V	
C171	1-163-229-11	CERAMIC CHIP 12PF 5% 50V	
C172	1-163-231-11	CERAMIC CHIP 15PF 5% 50V	
C173	1-163-007-11	CERAMIC CHIP 680PF 10% 50V	
C174	1-164-004-11	CERAMIC CHIP 0.1uF 10% 25V (EXCEPT SE350/SE500)	
C200	1-163-021-91	CERAMIC CHIP 0.01uF 10% 50V	
C201	1-126-160-11	ELECT 1uF 20% 50V	
C202	1-163-021-91	CERAMIC CHIP 0.01uF 10% 50V	
C203	1-163-809-11	CERAMIC CHIP 0.047uF 10% 25V	
C204	1-163-021-91	CERAMIC CHIP 0.01uF 10% 50V	
C205	1-163-239-11	CERAMIC CHIP 33PF 5% 50V (EXCEPT SE350)	
C205	1-163-241-11	CERAMIC CHIP 39PF 5% 50V (SE350)	
C206	1-163-809-11	CERAMIC CHIP 0.047uF 10% 25V	
C207	1-163-237-11	CERAMIC CHIP 27PF 5% 50V	
C208	1-126-160-11	ELECT 1uF 20% 50V	
C209	1-163-257-11	CERAMIC CHIP 180PF 5% 50V	

Ref. No.	Part No.	Description	Remark	Ref. No.	Part No.	Description	Remark
C210	1-163-237-11	CERAMIC CHIP	27PF 5% 50V	C278	1-163-037-11	CERAMIC CHIP	0.022uF 10% 25V
C211	1-109-982-11	CERAMIC CHIP	1uF 10% 10V	C279	1-164-004-11	CERAMIC CHIP	0.1uF 10% 25V
C212	1-163-809-11	CERAMIC CHIP	0.047uF 10% 25V	C280	1-126-933-11	ELECT	100uF 20% 16V
C213	1-109-982-11	CERAMIC CHIP	1uF 10% 10V	C281	1-163-021-91	CERAMIC CHIP	0.01uF 10% 50V
C214	1-164-004-11	CERAMIC CHIP	0.1uF 10% 25V	C282	1-163-021-91	CERAMIC CHIP	0.01uF 10% 50V
C215	1-163-021-91	CERAMIC CHIP	0.01uF 10% 50V	C283	1-163-021-91	CERAMIC CHIP	0.01uF 10% 50V
C216	1-163-037-11	CERAMIC CHIP	0.022uF 10% 25V	C284	1-164-489-11	CERAMIC CHIP	0.22uF 10% 16V
C217	1-163-021-91	CERAMIC CHIP	0.01uF 10% 50V	C285	1-163-021-91	CERAMIC CHIP	0.01uF 10% 50V
C218	1-163-021-91	CERAMIC CHIP	0.01uF 10% 50V (SE350/SE600/SX600)	C288	1-163-251-11	CERAMIC CHIP	100PF 5% 50V
C219	1-163-038-91	CERAMIC CHIP	0.1uF 25V	C289	1-163-233-11	CERAMIC CHIP	18PF 5% 50V
C220	1-124-589-11	ELECT	47uF 20% 16V	C303	1-163-038-91	CERAMIC CHIP	0.1uF 25V (EXCEPT SE350/SE500)
C221	1-109-982-11	CERAMIC CHIP	1uF 10% 10V (SE350)	C304	1-163-021-91	CERAMIC CHIP	0.01uF 10% 50V (EXCEPT SE350/SE500)
C221	1-164-004-11	CERAMIC CHIP	0.1uF 10% 25V (EXCEPT SE350)	C306	1-104-664-11	ELECT	47uF 20% 16V (EXCEPT SE350/SE500)
C222	1-109-982-11	CERAMIC CHIP	1uF 10% 10V	C307	1-104-664-11	ELECT	47uF 20% 16V (EXCEPT SE350/SE500)
C223	1-163-038-91	CERAMIC CHIP	0.1uF 25V	C308	1-126-964-11	ELECT	10uF 20% 50V (EXCEPT SE350/SE500)
C224	1-163-021-91	CERAMIC CHIP	0.01uF 10% 50V	C309	1-163-020-00	CERAMIC CHIP	0.0082uF 10% 50V (EXCEPT SE350/SE500)
C225	1-124-589-11	ELECT	47uF 20% 16V	C310	1-119-799-11	ELECT	47uF 20% 16V (EXCEPT SE350/SE500)
C226	1-163-021-91	CERAMIC CHIP	0.01uF 10% 50V	C311	1-126-964-11	ELECT	10uF 20% 50V (EXCEPT SE350/SE500)
C227	1-104-664-11	ELECT	47uF 20% 16V	C312	1-126-961-11	ELECT	2.2UF 20% 50V (EXCEPT SE350/SE500)
C228	1-163-131-00	CERAMIC CHIP	390PF 5% 50V	C313	1-126-964-11	ELECT	10uF 20% 50V (EXCEPT SE350/SE500)
C229	1-164-004-11	CERAMIC CHIP	0.1uF 10% 25V	C314	1-119-799-11	ELECT	47uF 20% 16V (EXCEPT SE350/SE500)
C230	1-163-038-91	CERAMIC CHIP	0.1uF 25V	C315	1-163-020-00	CERAMIC CHIP	0.0082uF 10% 50V (EXCEPT SE350/SE500)
C231	1-109-982-11	CERAMIC CHIP	1uF 10% 10V	C316	1-126-964-11	ELECT	10uF 20% 50V (EXCEPT SE350/SE500)
C232	1-109-982-11	CERAMIC CHIP	1uF 10% 10V	C317	1-164-489-11	CERAMIC CHIP	0.22uF 10% 16V (EXCEPT SE350/SE500)
C233	1-164-004-11	CERAMIC CHIP	0.1uF 10% 25V	C318	1-126-964-11	ELECT	10uF 20% 50V (EXCEPT SE350/SE500)
C234	1-163-021-91	CERAMIC CHIP	0.01uF 10% 50V	C319	1-124-261-00	ELECT	10uF 20% 50V (EXCEPT SE350/SE500)
C235	1-109-982-11	CERAMIC CHIP	1uF 10% 10V	C320	1-126-964-11	ELECT	10uF 20% 50V (EXCEPT SE350/SE500)
C236	1-163-243-11	CERAMIC CHIP	47PF 5% 50V	C322	1-126-964-11	ELECT	10uF 20% 50V (EXCEPT SE350/SE500)
C237	1-164-004-11	CERAMIC CHIP	0.1uF 10% 25V	C323	1-163-038-91	CERAMIC CHIP	0.1uF 25V (EXCEPT SE350/SE500)
C238	1-126-157-11	ELECT	10uF 20% 16V	C324	1-163-021-91	CERAMIC CHIP	0.01uF 10% 50V (EXCEPT SE350/SE500)
C239	1-163-243-11	CERAMIC CHIP	47PF 5% 50V (SE500/SE800/SX800)	C325	1-164-489-11	CERAMIC CHIP	0.22uF 10% 16V (EXCEPT SE350/SE500)
C240	1-163-243-11	CERAMIC CHIP	47PF 5% 50V (EXCEPT SE350/SE500R/SE600: A, N/SE700R)	C326	1-164-489-11	CERAMIC CHIP	0.22uF 10% 16V (EXCEPT SE350/SE500)
C241	1-164-004-11	CERAMIC CHIP	0.1uF 10% 25V (SE500/SE800/SX800)	C327	1-164-489-11	CERAMIC CHIP	0.22uF 10% 16V (EXCEPT SE350/SE500)
C242	1-164-004-11	CERAMIC CHIP	0.1uF 10% 25V (EXCEPT SE350/SE500R/SE600: A, N/SE700R)	C328	1-126-960-11	ELECT	1uF 20% 50V (SE800/SX800)
C243	1-163-809-11	CERAMIC CHIP	0.047uF 10% 25V	C329	1-126-960-11	ELECT	1uF 20% 50V (SE800/SX800)
C244	1-163-021-91	CERAMIC CHIP	0.01uF 10% 50V	C330	1-126-960-11	ELECT	1uF 20% 50V (EXCEPT SE350/SE500)
C245	1-164-004-11	CERAMIC CHIP	0.1uF 10% 25V	C331	1-126-960-11	ELECT	1uF 20% 50V (EXCEPT SE350/SE500)
C246	1-163-021-91	CERAMIC CHIP	0.01uF 10% 50V				
C247	1-163-021-91	CERAMIC CHIP	0.01uF 10% 50V				
C248	1-124-589-11	ELECT	47uF 20% 16V				
C249	1-126-157-11	ELECT	10uF 20% 16V				
C250	1-124-589-11	ELECT	47uF 20% 16V				
C251	1-126-153-11	ELECT	22uF 20% 6.3V				
C252	1-109-982-11	CERAMIC CHIP	1uF 10% 10V				
C253	1-163-139-00	CERAMIC CHIP	820PF 5% 50V (SE600B/SE700B/SE800B/SX700B)				
C254	1-163-021-91	CERAMIC CHIP	0.01uF 10% 50V (SE500/SE650/SE700/SE800/SX700/SX800)				
C255	1-163-021-91	CERAMIC CHIP	0.01uF 10% 50V				
C271	1-163-021-91	CERAMIC CHIP	0.01uF 10% 50V (EXCEPT SE350)				
C272	1-164-004-11	CERAMIC CHIP	0.1uF 10% 25V (EXCEPT SE350)				
C275	1-163-021-91	CERAMIC CHIP	0.01uF 10% 50V				
C276	1-164-004-11	CERAMIC CHIP	0.1uF 10% 25V				

MA-373

Ref. No.	Part No.	Description	Remark		
C332	1-126-960-11	ELECT	1uF	20%	50V (EXCEPT SE350/SE500/SE600: A, N/SE700R)
C333	1-126-960-11	ELECT	1uF	20%	50V (EXCEPT SE350/SE500/SE600: A, N/SE700R)
C336	1-126-964-11	ELECT	10uF	20%	50V (EXCEPT SE350/SE500)
C337	1-124-261-00	ELECT	10uF	20%	50V (EXCEPT SE350/SE500R/SE600: A, N/ SE700: G, I, R/SE800G)
C338	1-124-261-00	ELECT	10uF	20%	50V (EXCEPT SE350/SE500/SE600: A, N/ SE700: G, I, R/SE800G)
C350	1-164-489-11	CERAMIC CHIP	0.22uF	10%	16V
C351	1-104-664-11	ELECT	47uF	20%	16V
C352	1-163-038-91	CERAMIC CHIP	0.1uF		25V
C353	1-164-489-11	CERAMIC CHIP	0.22uF	10%	16V (SE500)
C354	1-126-964-11	ELECT	10uF	20%	50V
C355	1-164-489-11	CERAMIC CHIP	0.22uF	10%	16V (SE350/SE500)
C356	1-126-966-11	ELECT	33uF	20%	16V
C357	1-126-963-11	ELECT	4.7uF	20%	50V
C358	1-109-982-11	CERAMIC CHIP	1uF	10%	10V
C359	1-163-011-11	CERAMIC CHIP	0.0015uF	10%	50V
C360	1-163-011-11	CERAMIC CHIP	0.0015uF	10%	50V
C362	1-104-664-11	ELECT	47uF	20%	16V
C363	1-126-963-11	ELECT	4.7uF	20%	50V
C364	1-126-964-11	ELECT	10uF	20%	50V
C365	1-163-021-91	CERAMIC CHIP	0.01uF	10%	50V
C366	1-126-960-11	ELECT	1uF	20%	50V
C367	1-163-021-91	CERAMIC CHIP	0.01uF	10%	50V
C380	1-137-374-11	MYLAR	0.047uF	5%	50V (SE350/SE600/SE650/SE700/SX600/SX700)
C380	1-137-440-11	MYLAR	0.018uF	5%	50V (SE500/SE800/SX800)
C381	1-163-021-91	CERAMIC CHIP	0.01uF	10%	50V
C382	1-163-021-91	CERAMIC CHIP	0.01uF	10%	50V
C383	1-124-589-11	ELECT	47uF	20%	16V
C390	1-137-397-11	MYLAR	0.047uF	5%	100V (SE500/SE800/SX800)
C391	1-163-021-91	CERAMIC CHIP	0.01uF	10%	50V (SE500/SE800/SX800)
C392	1-163-011-11	CERAMIC CHIP	0.0015uF	10%	50V (SE500/SE800/SX800)
C393	1-126-933-11	ELECT	100uF	20%	16V (SE500/SE800/SX800)
C394	1-163-251-11	CERAMIC CHIP	100PF	5%	50V (SE500/SE800/SX800)
C420	1-124-589-11	ELECT	47uF	20%	16V
C421	1-163-235-11	CERAMIC CHIP	22PF	5%	50V
C422	1-164-004-11	CERAMIC CHIP	0.1uF	10%	25V
C423	1-163-021-91	CERAMIC CHIP	0.01uF	10%	50V
C424	1-126-157-11	ELECT	10uF	20%	16V
C427	1-124-635-00	ELECT	220uF	20%	6.3V
C505	1-163-131-00	CERAMIC CHIP	390PF	5%	50V
C506	1-163-131-00	CERAMIC CHIP	390PF	5%	50V
C507	1-163-131-00	CERAMIC CHIP	390PF	5%	50V
C508	1-163-131-00	CERAMIC CHIP	390PF	5%	50V (EXCEPT SE350/SE500)
C510	1-163-021-91	CERAMIC CHIP	0.01uF	10%	50V
C511	1-104-664-11	ELECT	47uF	20%	16V
C512	1-104-664-11	ELECT	47uF	20%	16V
C513	1-126-935-11	ELECT	470uF	20%	6.3V

Ref. No.	Part No.	Description	Remark		
C514	1-163-239-11	CERAMIC CHIP	33PF	5%	50V (SE500R/SE650/SE700/SE800/SX700/SX800)
C515	1-163-239-11	CERAMIC CHIP	33PF	5%	50V (SE650/SE700/SE800/SX700/SX800)
C516	1-163-017-00	CERAMIC CHIP	0.0047uF	5%	50V
C520	1-126-935-11	ELECT	470uF	20%	6.3V (SE500R/SE700R/SE800K)
C575	1-163-131-00	CERAMIC CHIP	390PF	5%	50V (EXCEPT SE350/SE500R/SE600: A, N/SE700R)
C576	1-163-131-00	CERAMIC CHIP	390PF	5%	50V (EXCEPT SE350/SE500R/SE600: A, N/SE700R)
C577	1-163-131-00	CERAMIC CHIP	390PF	5%	50V (EXCEPT SE350/SE500R/SE600: A, N/ SE700: G, I, R/SE800G)
C578	1-163-131-00	CERAMIC CHIP	390PF	5%	50V (EXCEPT SE350/SE500/SE600: A, N/ SE700: G, I, R/SE800G)
C580	1-126-964-11	ELECT	10uF	20%	50V (SE500K)
C581	1-126-964-11	ELECT	10uF	20%	50V (SE500K)
C582	1-124-261-00	ELECT	10uF	20%	50V (SE500K)
C583	1-126-964-11	ELECT	10uF	20%	50V (SE500K)
C584	1-164-004-11	CERAMIC CHIP	0.1uF	10%	25V (SE500K)
C585	1-126-964-11	ELECT	10uF	20%	50V (SE500K)
C586	1-126-964-11	ELECT	10uF	20%	50V (SE500K)
C587	1-124-261-00	ELECT	10uF	20%	50V (SE500K)
C611	1-104-664-11	ELECT	47uF	20%	25V
C612	1-163-021-91	CERAMIC CHIP	0.01uF	10%	50V
C613	1-126-933-11	ELECT	100uF	20%	16V
C618	1-126-965-11	ELECT	22uF	20%	50V
C621	1-126-935-11	ELECT	470uF	20%	6.3V (EXCEPT SE350/SE500R/SE600: A, N/SE700R)
C660	1-163-233-11	CERAMIC CHIP	18PF	5%	50V
C661	1-163-233-11	CERAMIC CHIP	18PF	5%	50V
C662	1-163-017-00	CERAMIC CHIP	0.0047uF	5%	50V
C663	1-163-021-91	CERAMIC CHIP	0.01uF	10%	50V
C664	1-164-004-11	CERAMIC CHIP	0.1uF	10%	25V
C665	1-163-245-11	CERAMIC CHIP	56PF	5%	50V (SE350/SE500/SE600: B, N/SE700: B, K, N, R/SE800: B, K, N/SX700B)
C666	1-163-135-00	CERAMIC CHIP	560PF	5%	50V
C667	1-163-021-91	CERAMIC CHIP	0.01uF	10%	50V
C668	1-124-584-00	ELECT	100uF	20%	10V
C669	1-163-016-00	CERAMIC CHIP	0.0039uF	10%	50V
C670	1-109-982-11	CERAMIC CHIP	1uF	10%	10V
C671	1-163-235-11	CERAMIC CHIP	22PF	5%	50V
C672	1-163-021-91	CERAMIC CHIP	0.01uF	10%	50V
C701	1-126-964-11	ELECT	10uF	20%	50V
C702	1-164-161-11	CERAMIC CHIP	0.0022uF	10%	100V
C704	1-126-964-11	ELECT	10uF	20%	50V
C705	1-163-021-91	CERAMIC CHIP	0.01uF	10%	50V
C708	1-104-664-11	ELECT	47uF	20%	16V
C709	1-163-021-91	CERAMIC CHIP	0.01uF	10%	50V
C710	1-126-965-11	ELECT	22uF	20%	50V (EXCEPT SE350/SE500/SE700R)
C711	1-104-664-11	ELECT	47uF	20%	16V (EXCEPT SE350/SE500/SE700R)

Ref. No.	Part No.	Description	Remark	Ref. No.	Part No.	Description	Remark
C730	1-126-964-11	ELECT	10uF 20% 50V (EXCEPT SE350/SE500)	C993	1-163-021-91	CERAMIC CHIP 0.01uF 10% 50V (SE600B/SE700B/SE800B/SX700B)	
C731	1-126-964-11	ELECT	10uF 20% 50V (EXCEPT SE350/SE500)	C994	1-163-021-91	CERAMIC CHIP 0.01uF 10% 50V (SE600B/SE700B/SE800B/SX700B)	
C752	1-126-933-11	ELECT	100uF 20% 16V	C995	1-124-584-00	ELECT 100uF 20% 10V (SE600B/SE700B/SE800B/SX700B)	
C753	1-164-004-11	CERAMIC CHIP	0.1uF 10% 25V	C996	1-163-227-11	CERAMIC CHIP 10PF 0.50PF 50V (SE600B/SE700B/SE800B/SX700B)	
C754	1-126-935-11	ELECT	470uF 20% 6.3V			< CONNECTOR >	
C755	1-164-004-11	CERAMIC CHIP	0.1uF 10% 25V	CN101	1-695-328-11	HOUSING, CONNECTOR 5P	
C757	1-163-021-91	CERAMIC CHIP	0.01uF 10% 50V	CN102	1-779-723-11	CONNECTOR, BOARD TO BOARD 9P	
C801	1-163-021-91	CERAMIC CHIP	0.01uF 10% 50V (EXCEPT SE600/SE700R/SX600)	* CN104	1-766-716-11	CONNECTOR, BOARD TO BOARD 3P	
C850	1-163-038-91	CERAMIC CHIP	0.1uF 25V (EXCEPT SE500R/SE600/SE700R/SX600)	* CN161	1-506-469-11	PIN, CONNECTOR 4P	
C851	1-126-964-11	ELECT	10uF 20% 50V (EXCEPT SE500R/SE600/SE700R/SX600)	CN260	1-784-490-11	CONNECTOR, FFC/FPC 11P (EXCEPT SE350/SE500)	
C852	1-164-161-11	CERAMIC CHIP	0.0022uF 10% 100V (EXCEPT SE500R/SE600/SE700R/SX600)	CN261	1-793-919-11	CONNECTOR, FFC/FPC 6P (SE350/SE500)	
C853	1-163-989-11	CERAMIC CHIP	0.033uF 10% 25V (EXCEPT SE500R/SE600/SE700R/SX600)	* CN262	1-560-893-00	PIN, CONNECTOR 5P	
C855	1-164-489-11	CERAMIC CHIP	0.22uF 10% 16V (EXCEPT SE500R/SE600/SE700R/SX600)	* CN263	1-560-890-00	PIN, CONNECTOR 2P (EXCEPT SE350/SE500)	
C856	1-163-038-91	CERAMIC CHIP	0.1uF 25V (EXCEPT SE500R/SE600/SE700R/SX600)	CN350	1-784-486-11	CONNECTOR, FFC/FPC 7P	
C970	1-163-259-91	CERAMIC CHIP	220PF 5% 50V (SE600B/SE700B/SE800B/SX700B)	CN351	1-506-468-11	PIN, CONNECTOR 3P	
C971	1-124-257-00	ELECT	2.2uF 20% 50V (SE600B/SE700B/SE800B/SX700B)	CN460	1-691-043-21	HOUSING, CONNECTOR 11P (SE500/SE800/SX800)	
C972	1-163-017-00	CERAMIC CHIP	0.0047uF 5% 50V (SE600B/SE700B/SE800B/SX700B)	CN461	1-695-328-11	HOUSING, CONNECTOR 5P (SE350/SE600/SE650/SE700/SX600/SX700)	
C973	1-163-021-91	CERAMIC CHIP	0.01uF 10% 50V (SE600B/SE700B/SE800B/SX700B)	CN500	1-793-918-11	CONNECTOR, SQUARE TYPE 21P (LINE-1 (TV)) (SE350/SE500R/SE600: A, N/SE700R)	
C974	1-109-982-11	CERAMIC CHIP	1uF 10% 10V (SE600B/SE700B/SE800B/SX700B)	CN501	1-506-469-11	PIN, CONNECTOR 4P (SE500)	
C975	1-163-037-11	CERAMIC CHIP	0.022uF 10% 25V (SE600B/SE700B/SE800B/SX700B)	* CN501	1-568-954-11	PIN, CONNECTOR 5P (SE800/SX800)	
C976	1-163-259-91	CERAMIC CHIP	220PF 5% 50V (SE600B/SE700B/SE800B/SX700B)	CN570	1-793-917-11	CONNECTOR, SQUARE TYPE 21P (DECODER/LINE-2 IN, LINE-1 (TV)) (EXCEPT SE350/SE500/SE600: A, N/ SE700R/SE800/SX800)	
C977	1-163-021-91	CERAMIC CHIP	0.01uF 10% 50V (SE600B/SE700B/SE800B/SX700B)	CN570	1-793-917-11	CONNECTOR, SQUARE TYPE 21P (DECODER/LINE-3 IN, LINE-1 (TV)) (SE500K/SE800/SX800)	
C978	1-163-017-00	CERAMIC CHIP	0.0047uF 5% 50V (SE600B/SE700B/SE800B/SX700B)	CN600	1-778-674-21	CONNECTOR, BOARD TO BOARD 19P	
C979	1-163-255-11	CERAMIC CHIP	150PF 5% 50V (SE600B/SE700B/SE800B/SX700B)	CN601	1-793-673-11	CONNECTOR, BOARD TO BOARD 7P	
C980	1-164-004-11	CERAMIC CHIP	0.1uF 10% 25V (SE600B/SE700B/SE800B/SX700B)			< DIODE >	
C981	1-163-021-91	CERAMIC CHIP	0.01uF 10% 50V (SE600B/SE700B/SE800B/SX700B)	D100	8-719-048-26	DIODE GL528V1 (T/S LED)	
C982	1-163-007-11	CERAMIC CHIP	680PF 10% 50V (SE600B/SE700B/SE800B/SX700B)	D110	8-719-200-82	DIODE MPG06D-6052PKG3	
C983	1-163-009-11	CERAMIC CHIP	0.001uF 10% 50V (SE600B/SE700B/SE800B/SX700B)	D140	8-719-988-61	DIODE 1SS355TE-17	
C984	1-163-021-91	CERAMIC CHIP	0.01uF 10% 50V (SE600B/SE700B/SE800B/SX700B)	D420	8-719-045-62	DIODE SLR-342VCT31 (SYNCHRO REC) (SE500K/SE800/SX800)	
C985	1-163-251-11	CERAMIC CHIP	100PF 5% 50V (SE600B/SE700B/SE800B/SX700B)	D421	8-719-988-61	DIODE 1SS355TE-17 (SE500K/SE800/SX800)	
C986	1-126-157-11	ELECT	10uF 20% 16V (SE600B/SE700B/SE800B/SX700B)	D422	8-719-056-06	DIODE SLR-342DCT31 (RR) (SE500/SE650/SE700/SE800/SX700/SX800)	
C987	1-107-823-11	CERAMIC CHIP	0.47uF 10% 16V (SE600B/SE700B/SE800B/SX700B)	D423	8-719-988-61	DIODE 1SS355TE-17 (SE500/SE650/SE700/SE800/SX700/SX800)	
C988	1-163-251-11	CERAMIC CHIP	100PF 5% 50V (SE600B/SE700B/SE800B/SX700B)	D424	8-719-067-40	DIODE STZ6.8N-T146	
C991	1-164-004-11	CERAMIC CHIP	0.1uF 10% 25V (SE600B/SE700B/SE800B/SX700B)	D500	8-719-071-50	DIODE BZA408B-115	
C992	1-163-021-91	CERAMIC CHIP	0.01uF 10% 50V (SE600B/SE700B/SE800B/SX700B)	D501	8-719-071-50	DIODE BZA408B-115	
				D502	8-719-070-59	DIODE PDZ6.8B-115	
				D503	8-719-977-40	DIODE UDZ-TE-17-13B	
				D504	8-719-070-59	DIODE PDZ6.8B-115	
				D570	8-719-071-50	DIODE BZA408B-115 (EXCEPT SE350/SE500R/SE600: A, N/SE700R)	
				D571	8-719-070-59	DIODE PDZ6.8B-115 (EXCEPT SE350/SE500R/SE600: A, N/SE700R)	
				D572	8-719-977-40	DIODE UDZ-TE-17-13B (EXCEPT SE350/SE500R/SE600: A, N/SE700R)	

MA-373

Ref. No.	Part No.	Description	Remark	Ref. No.	Part No.	Description	Remark
D573	8-719-070-59	DIODE PDZ6.8B-115 (SE500R/SE650/SE700/SE800/SX700/SX800)		JR013	1-216-295-91	SHORT 0	
D590	8-719-988-61	DIODE 1SS355TE-17		JR014	1-216-295-91	SHORT 0	
D591	8-719-988-61	DIODE 1SS355TE-17 (SE350/SE500)		JR016	1-216-295-91	SHORT 0	
D603	8-719-075-84	DIODE S1G-G2P (EXCEPT SE350/SE500R/SE600: A, N/SE700R)		JR017	1-216-295-91	SHORT 0	
D606	8-719-075-84	DIODE S1G-G2P		JR018	1-216-295-91	SHORT 0	
D607	8-719-075-84	DIODE S1G-G2P		JR019	1-216-295-91	SHORT 0	
D700	8-719-988-61	DIODE 1SS355TE-17 (SE700R)		JR020	1-216-295-91	SHORT 0	
D702	8-719-982-26	DIODE MTZJ-T-77-33		JR021	1-216-295-91	SHORT 0	
D750	8-719-075-84	DIODE S1G-G2P		JR022	1-216-295-91	SHORT 0	
D800	8-719-988-61	DIODE 1SS355TE-17 (EXCEPT SE600/SE700R/SX600)		JR023	1-216-295-91	SHORT 0	
		< IC >		JR026	1-216-295-91	SHORT 0	
IC001	8-759-566-07	IC LA7277M-TLM (SE500/SE650/SE700/SE800/SX700/SX800)		JR027	1-216-295-91	SHORT 0	
IC130	8-759-645-07	IC LB1943N		JR028	1-216-295-91	SHORT 0	
IC160	8-759-248-87	IC MM1256XF-BE		JR201	1-216-296-91	SHORT 0	
IC161	8-759-575-72	IC M24C08-WMN6T		JR202	1-216-296-91	SHORT 0	
IC162	8-759-673-31	IC M37760MFH216GP (SE500R/SE600/SE700R/SX600)		JR203	1-216-296-91	SHORT 0	
IC162	8-759-673-32	IC M37760MFH217GP (EXCEPT SE500R/SE600/SE700R/SX600)		JR204	1-216-296-91	SHORT 0	
IC200	8-759-638-71	IC LA71562M-MPB		JR205	1-216-296-91	SHORT 0	
IC260	8-759-549-79	IC LA70001 (SE350)		JR206	1-216-296-91	SHORT 0 (SE600B/SE700B/SE800B/SX700B)	
IC260	8-759-564-36	IC LA70011 (EXCEPT SE350)		JR207	1-216-296-91	SHORT 0	
IC301	8-759-638-55	IC TDA9605H/N2, 518 (EXCEPT SE350/SE500)		JR208	1-216-296-91	SHORT 0	
IC350	8-759-499-30	IC BA7755AF-E2		JR209	1-216-296-91	SHORT 0	
IC420	8-759-547-59	IC M35500BGP		JR210	1-216-296-91	SHORT 0	
IC460	8-749-015-48	IC RPM6940		JR211	1-216-296-91	SHORT 0	
IC580	8-759-009-07	IC MC14053BFEL (SE500K)		JR212	1-216-296-91	SHORT 0	
△ IC601	8-759-438-18	IC PQ12RD08		JR213	1-216-296-91	SHORT 0	
IC850	8-759-484-61	IC SDA5650X-GEG (EXCEPT SE500R/SE600/SE700R/SX600)		JR214	1-216-296-91	SHORT 0	
IC970	8-759-438-17	IC LA7337 (SE600B/SE700B/SE800B/SX700B)		JR215	1-216-296-91	SHORT 0	
		< JACK >		JR216	1-216-296-91	SHORT 0 (SE600B/SE700B/SE800B/SX700B)	
* J500	1-779-924-11	JACK, PIN 2P (LINE-2 OUT) (SE500R)		JR217	1-216-296-91	SHORT 0	
J500	1-784-412-11	JACK, PIN 3P (LINE-2 OUT) (SE700R/SE800K)		JR218	1-216-296-91	SHORT 0	
J500	1-784-414-11	JACK, PIN 2P (LINE-2 OUT) (EXCEPT SE350/SE500/SE600/ SE700R/SE800K/SX600)		JR219	1-216-296-91	SHORT 0	
		< SHORT >		JR220	1-216-296-91	SHORT 0	
JR001	1-216-295-91	SHORT 0		JR221	1-216-296-91	SHORT 0	
JR002	1-216-295-91	SHORT 0		JR222	1-216-296-91	SHORT 0	
JR003	1-216-295-91	SHORT 0		JR223	1-216-296-91	SHORT 0 (SE600B/SE700B/SE800B/SX700B)	
JR004	1-216-295-91	SHORT 0 (SE500K)		JR224	1-216-296-91	SHORT 0	
JR005	1-216-295-91	SHORT 0		JR225	1-216-296-91	SHORT 0	
JR006	1-216-295-91	SHORT 0		JR226	1-216-296-91	SHORT 0	
JR007	1-216-295-91	SHORT 0		JR227	1-216-295-91	SHORT 0	
JR008	1-216-295-91	SHORT 0		JR228	1-216-296-91	SHORT 0	
JR009	1-216-295-91	SHORT 0		JR229	1-216-296-91	SHORT 0	
JR010	1-216-295-91	SHORT 0		JR230	1-216-296-91	SHORT 0 (SE500/SE700R/SE800/SX800)	
JR011	1-216-295-91	SHORT 0		JR231	1-216-296-91	SHORT 0	
JR012	1-216-295-91	SHORT 0		JR232	1-216-296-91	SHORT 0	
				JR233	1-216-296-91	SHORT 0	
				JR234	1-216-296-91	SHORT 0	
				JR235	1-216-296-91	SHORT 0	
				JR236	1-216-296-91	SHORT 0	
				JR237	1-216-296-91	SHORT 0	
				JR238	1-216-296-91	SHORT 0	
				JR239	1-216-296-91	SHORT 0 (SE600B/SE700B/SE800B/SX700B)	
				JR240	1-216-296-91	SHORT 0	
				JR241	1-216-296-91	SHORT 0 (SE500K)	
				JR242	1-216-296-91	SHORT 0 (SE500K)	
				JR243	1-216-296-91	SHORT 0	
				JR244	1-216-296-91	SHORT 0	
				JR245	1-216-296-91	SHORT 0	

The components identified by mark △ or dotted line with mark △ are critical for safety. Replace only with part number specified.

Ref. No.	Part No.	Description	Remark	Ref. No.	Part No.	Description	Remark
JR246	1-216-296-91	SHORT 0		L970	1-414-933-21	INDUCTOR 6.8uH (SE600B/SE700B/SE800B/SX700B)	
JR247	1-216-296-91	SHORT 0		L971	1-414-945-21	INDUCTOR 27uH (SE600B/SE700B/SE800B/SX700B)	
JR248	1-216-296-91	SHORT 0 (SE500/SE800/SX800)		L972	1-414-938-21	INDUCTOR 47uH (SE600B/SE700B/SE800B/SX700B)	
JR249	1-216-296-91	SHORT 0		L973	1-414-938-21	INDUCTOR 47uH (SE600B/SE700B/SE800B/SX700B)	
JR250	1-216-296-91	SHORT 0		L975	1-414-934-21	INDUCTOR 10uH (SE600B/SE700B/SE800B/SX700B)	
JR251	1-216-296-91	SHORT 0		< FLUORESCENT INDICATOR TUBE >			
JR252	1-216-296-91	SHORT 0		ND420	1-517-832-11	INDICATOR TUBE, FLUORESCENT	
JS204	1-216-295-91	SHORT 0 (SE350/SE600/SX600)		< PHOTO INTERRUPTER >			
JS302	1-216-295-91	SHORT 0 (SE350/SE500)		PH100	8-749-015-86	PHOTO INTERRUPTER GP3S120S	
JS308	1-216-295-91	SHORT 0 (SE350/SE500)		PH101	8-749-015-86	PHOTO INTERRUPTER GP3S120S	
JS351	1-216-295-91	SHORT 0 (SE500/SE800/SX800)		< IC LINK >			
JS500	1-216-295-91	SHORT 0 (SE350/SE500)		△ PS120	1-532-605-00	LINK, IC (0.4A)	
JS501	1-216-295-91	SHORT 0 (SE350/SE500)		△ PS390	1-532-727-11	LINK, IC (0.25A) (SE500/SE800/SX800)	
JS504	1-216-295-91	SHORT 0 (SE500)		△ PS602	1-532-727-11	LINK, IC (0.25A) (EXCEPT SE350/SE500R/SE600: A, N/SE700R)	
JS570	1-216-295-91	SHORT 0 (SE500K)		△ PS603	1-532-727-11	LINK, IC (0.25A)	
JS571	1-216-295-91	SHORT 0 (SE500K)		< TRANSISTOR >			
JS580	1-216-295-91	SHORT 0 (EXCEPT SE500K)		Q100	8-729-043-84	TRANSISTOR PT380F3	
JS581	1-216-295-91	SHORT 0 (EXCEPT SE500K)		Q101	8-729-043-84	TRANSISTOR PT380F3	
JS590	1-216-295-91	SHORT 0 (SE350/SE500)		Q102	8-729-281-53	TRANSISTOR 2SC1815GR-TPE2	
JS591	1-216-295-91	SHORT 0 (EXCEPT SE350/SE500)		Q103	8-729-043-29	TRANSISTOR PDTC144EK-115	
JS700	1-216-295-91	SHORT 0 (SE700R)		Q104	8-729-216-22	TRANSISTOR 2PB709AR-115	
JS701	1-216-296-91	SHORT 0 (SE700R)		Q140	8-729-422-33	TRANSISTOR 2PD601AR-115 (SE500/SE800/SX800)	
< COIL >				Q200	8-729-422-33	TRANSISTOR 2PD601AR-115	
L001	1-414-934-21	INDUCTOR 10uH (SE500/SE650/SE700/SE800/SX700/SX800)		Q201	8-729-422-33	TRANSISTOR 2PD601AR-115	
L140	1-414-936-21	INDUCTOR 22uH		Q202	8-729-422-33	TRANSISTOR 2PD601AR-115	
L160	1-414-936-21	INDUCTOR 22uH		Q203	8-729-216-22	TRANSISTOR 2PB709AR-115	
L161	1-414-936-21	INDUCTOR 22uH		Q204	8-729-043-29	TRANSISTOR PDTC144EK-115 (SE600B/SE700B/SE800B/SX700B)	
L200	1-414-946-21	INDUCTOR 39uH		Q270	8-729-043-29	TRANSISTOR PDTC144EK-115 (EXCEPT SE350/SE500)	
L201	1-414-940-21	INDUCTOR 100uH		Q350	8-729-281-53	TRANSISTOR 2SC1815GR-TPE2	
L202	1-414-934-21	INDUCTOR 10uH		Q380	8-729-802-91	TRANSISTOR 2SD879-AA	
L203	1-414-934-21	INDUCTOR 10uH		Q390	8-729-900-51	TRANSISTOR UN2115-QRS (TX) (SE500/SE800/SX800)	
L204	1-414-934-21	INDUCTOR 10uH		Q391	8-729-043-29	TRANSISTOR PDTC144EK-115 (SE500/SE800/SX800)	
L205	1-414-934-21	INDUCTOR 10uH		Q392	8-729-012-31	TRANSISTOR 2SC4040-TL2-Q (SE500/SE800/SX800)	
L206	1-414-938-21	INDUCTOR 47uH (SE600B/SE700B/SE800B/SX700B)		Q501	8-729-043-32	TRANSISTOR PDTA114EK-115	
L270	1-414-940-21	INDUCTOR 100uH		Q502	8-729-043-29	TRANSISTOR PDTC144EK-115	
L271	1-414-930-21	INDUCTOR 2.2uH		Q510	8-729-216-22	TRANSISTOR 2PB709AR-115	
L301	1-414-940-21	INDUCTOR 100uH (EXCEPT SE350/SE500)		Q520	8-729-216-22	TRANSISTOR 2PB709AR-115 (SE500R/SE700R/SE800K)	
L350	1-414-940-21	INDUCTOR 100uH		Q540	8-729-216-22	TRANSISTOR 2PB709AR-115 (EXCEPT SE350/SE500R/SE600: A, N/ SE700: G, I, R/SE800G)	
L380	1-414-940-21	INDUCTOR 100uH		Q541	8-729-216-22	TRANSISTOR 2PB709AR-115 (EXCEPT SE350/SE500R/SE600: A, N/ SE700: G, I, R/SE800G)	
L390	1-410-687-11	INDUCTOR 1.2mH (SE500/SE800/SX800)					
L460	1-414-938-21	INDUCTOR 47uH					
L510	1-414-940-21	INDUCTOR 100uH					
L580	1-414-940-21	INDUCTOR 100uH (SE500K)					
L660	1-414-930-21	INDUCTOR 2.2uH					
L661	1-414-936-21	INDUCTOR 22uH (SE350/SE500/SE600: B, N/SE700: B, K, N, R/ SE800: B, K, N/SX700B)					
L662	1-414-936-21	INDUCTOR 22uH					
L663	1-414-936-21	INDUCTOR 22uH					
L701	1-414-930-21	INDUCTOR 2.2uH					
L750	1-414-930-21	INDUCTOR 2.2uH					
L751	1-414-934-21	INDUCTOR 10uH					

The components identified by mark △ or dotted line with mark △ are critical for safety. Replace only with part number specified.

MA-373

Ref. No.	Part No.	Description	Remark
Q580	8-729-043-29	TRANSISTOR PDTC144EK-115 (SE500K)	
Q581	8-729-043-29	TRANSISTOR PDTC144EK-115 (SE500K)	
Q582	8-729-043-29	TRANSISTOR PDTC144EK-115 (SE500K)	
Q583	8-729-422-33	TRANSISTOR 2PD601AR-115 (SE500K)	
Q590	8-729-422-33	TRANSISTOR 2PD601AR-115 (EXCEPT SE350/SE500)	
Q591	8-729-422-33	TRANSISTOR 2PD601AR-115	
Q592	8-729-216-22	TRANSISTOR 2PB709AR-115 (EXCEPT SE350/SE500)	
Q607	8-729-804-41	TRANSISTOR 2SB1122-ST-TD (EXCEPT SE350/SE500R/SE600: A, N/SE700R)	
Q608	8-729-043-29	TRANSISTOR PDTC144EK-115 (EXCEPT SE350/SE500R/SE600: A, N/SE700R)	
Q612	8-729-804-41	TRANSISTOR 2SB1122-ST-TD	
Q613	8-729-043-29	TRANSISTOR PDTC144EK-115	
Q660	8-729-216-22	TRANSISTOR 2PB709AR-115	
Q661	8-729-216-22	TRANSISTOR 2PB709AR-115	
Q700	8-729-422-33	TRANSISTOR 2PD601AR-115 (SE700R)	
Q701	8-729-216-22	TRANSISTOR 2PB709AR-115 (SE700R)	
Q702	8-729-216-22	TRANSISTOR 2PB709AR-115 (SE700R)	
Q720	8-729-119-76	TRANSISTOR 2SA1309A-QRSTA	
Q721	8-729-422-33	TRANSISTOR 2PD601AR-115	
Q730	8-729-422-33	TRANSISTOR 2PD601AR-115 (SE700R)	
Q731	8-729-422-33	TRANSISTOR 2PD601AR-115 (SE700R)	
Q751	8-729-043-29	TRANSISTOR PDTC144EK-115	
Q752	8-729-216-22	TRANSISTOR 2PB709AR-115	
Q800	8-729-216-22	TRANSISTOR 2PB709AR-115 (EXCEPT SE600/SE700R/SX600)	
Q801	8-729-422-33	TRANSISTOR 2PD601AR-115 (EXCEPT SE600/SE700R/SX600)	
Q802	8-729-422-33	TRANSISTOR 2PD601AR-115 (EXCEPT SE600/SE700R/SX600)	
Q803	8-729-422-33	TRANSISTOR 2PD601AR-115 (EXCEPT SE600/SE700R/SX600)	
Q804	8-729-043-29	TRANSISTOR PDTC144EK-115 (EXCEPT SE600/SE700R/SX600)	
Q850	8-729-216-22	TRANSISTOR 2PB709AR-115 (EXCEPT SE500R/SE600/SE700R/SX600)	
Q970	8-729-216-22	TRANSISTOR 2PB709AR-115 (SE600B/SE700B/SE800B/SX700B)	
Q972	8-729-043-32	TRANSISTOR PDTA114EK-115 (SE600B/SE700B/SE800B/SX700B)	
Q973	8-729-422-33	TRANSISTOR 2PD601AR-115 (SE600B/SE700B/SE800B/SX700B)	
Q974	8-729-422-33	TRANSISTOR 2PD601AR-115 (SE600B/SE700B/SE800B/SX700B)	
Q975	8-729-043-32	TRANSISTOR PDTA114EK-115 (SE600B/SE700B/SE800B/SX700B)	
Q976	8-729-043-29	TRANSISTOR PDTC144EK-115 (SE600B/SE700B/SE800B/SX700B)	
< RESISTOR >			
R001	1-208-806-11	METAL CHIP 10K 0.5% 1/10W (SE500/SE650/SE700/SE800/SX700/SX800)	
R002	1-216-041-00	METAL CHIP 470 5% 1/10W (SE500/SE650/SE700/SE800/SX700/SX800)	
R003	1-216-041-00	METAL CHIP 470 5% 1/10W (SE500/SE650/SE700/SE800/SX700/SX800)	
R004	1-216-071-00	METAL CHIP 8.2K 5% 1/10W (SE500/SE650/SE700/SE800/SX700/SX800)	
R005	1-216-049-91	RES, CHIP 1K 5% 1/10W (SE500/SE650/SE700/SE800/SX700/SX800)	

Ref. No.	Part No.	Description	Remark
R006	1-216-051-00	METAL CHIP 1.2K 5% 1/10W (SE500/SE650/SE700/SE800/SX700/SX800)	
R100	1-216-077-91	RES, CHIP 15K 5% 1/10W	
R101	1-249-413-11	CARBON 470 5% 1/4W	
R102	1-216-077-91	RES, CHIP 15K 5% 1/10W	
R103	1-216-081-00	METAL CHIP 22K 5% 1/10W	
R104	1-216-049-91	RES, CHIP 1K 5% 1/10W	
R105	1-216-057-00	METAL CHIP 2.2K 5% 1/10W	
R106	1-249-400-11	CARBON 39 5% 1/4W	
R107	1-249-400-11	CARBON 39 5% 1/4W	
R108	1-216-081-00	METAL CHIP 22K 5% 1/10W	
R110	1-216-057-00	METAL CHIP 2.2K 5% 1/10W	
R111	1-216-089-91	RES, CHIP 47K 5% 1/10W	
R114	1-216-089-91	RES, CHIP 47K 5% 1/10W	
R115	1-216-089-91	RES, CHIP 47K 5% 1/10W	
R120	1-216-089-91	RES, CHIP 47K 5% 1/10W	
R121	1-216-089-91	RES, CHIP 47K 5% 1/10W	
R123	1-216-065-91	RES, CHIP 4.7K 5% 1/10W	
R124	1-216-041-00	METAL CHIP 470 5% 1/10W	
R130	1-216-077-91	RES, CHIP 15K 5% 1/10W	
R132	1-216-041-00	METAL CHIP 470 5% 1/10W	
R133	1-216-089-91	RES, CHIP 47K 5% 1/10W	
R140	1-216-073-00	METAL CHIP 10K 5% 1/10W (SE500/SE800/SX800)	
R141	1-216-073-00	METAL CHIP 10K 5% 1/10W (SE500/SE800/SX800)	
R142	1-216-051-00	METAL CHIP 1.2K 5% 1/10W	
R143	1-216-065-91	RES, CHIP 4.7K 5% 1/10W	
R160	1-216-053-00	METAL CHIP 1.5K 5% 1/10W (SE700: G, I/SE800G)	
R160	1-216-061-00	METAL CHIP 3.3K 5% 1/10W (SE600B/SE700B/SE800B/SX700B)	
R160	1-216-067-00	METAL CHIP 5.6K 5% 1/10W (SE350/SE500K/SE600N/SE700: K, N/SE800: K, N)	
R160	1-216-071-00	METAL CHIP 8.2K 5% 1/10W (SE500R/SE700R)	
R160	1-216-295-91	SHORT 0 (SE600: A, E/SE650/SE700: D1, D2, E1, E2 /SE800: D1, D2, E/SX600/SX700: D, E/SX800)	
R161	1-216-053-00	METAL CHIP 1.5K 5% 1/10W (SE500K/SE600E/SE700: B, G, R/SX600/SX700B)	
R161	1-216-061-00	METAL CHIP 3.3K 5% 1/10W (SE600N/SE700: E1, E2, I/SE800B/SX700E)	
R161	1-216-067-00	METAL CHIP 5.6K 5% 1/10W (SE700N/SE800: E, G)	
R161	1-216-071-00	METAL CHIP 8.2K 5% 1/10W (SE650/SE700: D1, D2, K/SX700D)	
R161	1-216-075-00	METAL CHIP 12K 5% 1/10W (SE800: D1, D2, N/SX800)	
R161	1-216-079-00	METAL CHIP 18K 5% 1/10W (SE800K)	
R161	1-216-295-91	SHORT 0 (SE350/SE500R/SE600: A, B)	
R162	1-216-073-00	METAL CHIP 10K 5% 1/10W	
R163	1-216-073-00	METAL CHIP 10K 5% 1/10W	
R164	1-216-073-00	METAL CHIP 10K 5% 1/10W	
R165	1-216-061-00	METAL CHIP 3.3K 5% 1/10W (SE800/SX800)	
R166	1-216-061-00	METAL CHIP 3.3K 5% 1/10W (SE800/SX800)	
R167	1-216-069-00	METAL CHIP 6.8K 5% 1/10W	
R168	1-216-101-00	METAL CHIP 150K 5% 1/10W	

Ref. No.	Part No.	Description	Remark	Ref. No.	Part No.	Description	Remark
R169	1-216-113-00	METAL CHIP	470K 5% 1/10W	R217	1-216-025-91	RES, CHIP	100 5% 1/10W (EXCEPT SE350/SE500R/SE600: A, N/SE700: G, I, R/SE800G)
R170	1-216-061-00	METAL CHIP	3.3K 5% 1/10W	R218	1-216-295-91	SHORT	0
R171	1-216-073-00	METAL CHIP	10K 5% 1/10W	R219	1-216-017-91	RES, CHIP	47 5% 1/10W (SE350/SE600/SX600)
R172	1-216-295-91	SHORT	0 (EXCEPT SE350/SE500/SE700R)	R219	1-216-025-91	RES, CHIP	100 5% 1/10W (EXCEPT SE350/SE600/SX600)
R175	1-216-295-91	SHORT	0 (EXCEPT SE350/SE500/SE700R)	R220	1-216-049-91	RES, CHIP	1K 5% 1/10W
R176	1-216-037-00	METAL CHIP	330 5% 1/10W	R221	1-216-017-91	RES, CHIP	47 5% 1/10W
R177	1-216-041-00	METAL CHIP	470 5% 1/10W	R222	1-216-017-91	RES, CHIP	47 5% 1/10W (SE500/SE800/SX800)
R178	1-216-041-00	METAL CHIP	470 5% 1/10W	R223	1-216-017-91	RES, CHIP	47 5% 1/10W (EXCEPT SE350/SE500R/SE600: A, N/SE700R)
R179	1-216-041-00	METAL CHIP	470 5% 1/10W	R224	1-216-057-00	METAL CHIP	2.2K 5% 1/10W
R180	1-216-069-00	METAL CHIP	6.8K 5% 1/10W	R225	1-216-057-00	METAL CHIP	2.2K 5% 1/10W
R181	1-216-061-00	METAL CHIP	3.3K 5% 1/10W	R226	1-216-055-00	METAL CHIP	1.8K 5% 1/10W
R182	1-216-033-00	METAL CHIP	220 5% 1/10W	R227	1-216-295-91	SHORT	0
R183	1-216-033-00	METAL CHIP	220 5% 1/10W	R228	1-216-295-91	SHORT	0 (SE600B/SE700B/SE800B/SX700B)
R184	1-216-295-91	SHORT	0	R232	1-216-077-91	RES, CHIP	15K 5% 1/10W (EXCEPT SE500)
R185	1-216-295-91	SHORT	0	R232	1-216-085-00	METAL CHIP	33K 5% 1/10W (SE500)
R186	1-216-295-91	SHORT	0	R233	1-216-065-91	RES, CHIP	4.7K 5% 1/10W (SE600B/SE700B/SE800B/SX700B)
R187	1-216-295-91	SHORT	0	R235	1-216-089-91	RES, CHIP	47K 5% 1/10W
R188	1-216-295-91	SHORT	0	R236	1-216-089-91	RES, CHIP	47K 5% 1/10W
R189	1-216-049-91	RES, CHIP	1K 5% 1/10W	R270	1-216-041-00	METAL CHIP	470 5% 1/10W (EXCEPT SE350/SE500)
R190	1-216-061-00	METAL CHIP	3.3K 5% 1/10W (EXCEPT SE350/SE500/SE700R)	R270	1-216-043-91	RES, CHIP	560 5% 1/10W (SE500)
R191	1-216-061-00	METAL CHIP	3.3K 5% 1/10W	R271	1-216-041-00	METAL CHIP	470 5% 1/10W (EXCEPT SE350/SE500)
R192	1-216-295-91	SHORT	0 (EXCEPT SE350/SE500)	R271	1-216-043-91	RES, CHIP	560 5% 1/10W (SE350/SE500)
R193	1-216-097-91	RES, CHIP	100K 5% 1/10W (EXCEPT SE350/SE500)	R272	1-216-055-00	METAL CHIP	1.8K 5% 1/10W (SE350)
R194	1-216-049-91	RES, CHIP	1K 5% 1/10W (EXCEPT SE350/SE500)	R272	1-216-057-00	METAL CHIP	2.2K 5% 1/10W (EXCEPT SE350/SE500)
R196	1-216-061-00	METAL CHIP	3.3K 5% 1/10W	R272	1-216-059-00	METAL CHIP	2.7K 5% 1/10W (SE500)
R200	1-216-073-00	METAL CHIP	10K 5% 1/10W	R273	1-216-295-91	SHORT	0
R203	1-216-055-00	METAL CHIP	1.8K 5% 1/10W	R274	1-216-065-91	RES, CHIP	4.7K 5% 1/10W (SE500)
R204	1-216-037-00	METAL CHIP	330 5% 1/10W	R274	1-216-067-00	METAL CHIP	5.6K 5% 1/10W (EXCEPT SE500)
R205	1-216-037-00	METAL CHIP	330 5% 1/10W	R275	1-216-089-91	RES, CHIP	47K 5% 1/10W (EXCEPT SE350/SE500)
R206	1-216-045-00	METAL CHIP	680 5% 1/10W (EXCEPT SE350)	R276	1-216-071-00	METAL CHIP	8.2K 5% 1/10W (SE500)
R206	1-216-047-91	RES, CHIP	820 5% 1/10W (SE350)	R276	1-216-073-00	METAL CHIP	10K 5% 1/10W (EXCEPT SE350/SE500)
R207	1-216-047-91	RES, CHIP	820 5% 1/10W (SE350)	R276	1-216-077-91	RES, CHIP	15K 5% 1/10W (SE350)
R207	1-216-059-00	METAL CHIP	2.7K 5% 1/10W (SE600/SX600)	R277	1-216-081-00	METAL CHIP	22K 5% 1/10W
R207	1-216-061-00	METAL CHIP	3.3K 5% 1/10W (SE500)	R278	1-216-081-00	METAL CHIP	22K 5% 1/10W
R207	1-216-063-91	RES, CHIP	3.9K 5% 1/10W (SE650/SE700/SE800/SX700/SX800)	R279	1-216-081-00	METAL CHIP	22K 5% 1/10W
R208	1-216-065-91	RES, CHIP	4.7K 5% 1/10W	R280	1-216-097-91	RES, CHIP	100K 5% 1/10W
R209	1-216-055-00	METAL CHIP	1.8K 5% 1/10W	R283	1-216-295-91	SHORT	0
R210	1-216-043-91	RES, CHIP	560 5% 1/10W	R284	1-216-295-91	SHORT	0
R211	1-216-071-00	METAL CHIP	8.2K 5% 1/10W	R286	1-216-025-91	RES, CHIP	100 5% 1/10W
R212	1-216-051-00	METAL CHIP	1.2K 5% 1/10W	R301	1-216-073-00	METAL CHIP	10K 5% 1/10W (EXCEPT SE350/SE500)
R213	1-216-041-00	METAL CHIP	470 5% 1/10W				
R214	1-216-041-00	METAL CHIP	470 5% 1/10W				
R215	1-216-025-91	RES, CHIP	100 5% 1/10W				
R216	1-216-105-91	RES, CHIP	220K 5% 1/10W (EXCEPT SE350/SE500)				
R216	1-216-109-00	METAL CHIP	330K 5% 1/10W (SE500)				
R216	1-216-117-00	METAL CHIP	680K 5% 1/10W (SE350)				

MA-373

Ref. No.	Part No.	Description	Remark
R302	1-216-079-00	METAL CHIP	18K 5% 1/10W (EXCEPT SE350/SE500)
R304	1-216-049-91	RES, CHIP	1K 5% 1/10W (EXCEPT SE350/SE500)
R305	1-216-049-91	RES, CHIP	1K 5% 1/10W (EXCEPT SE350/SE500)
R306	1-216-083-00	METAL CHIP	27K 5% 1/10W (EXCEPT SE350/SE500)
R307	1-216-057-00	METAL CHIP	2.2K 5% 1/10W (EXCEPT SE350/SE500)
R308	1-208-820-11	METAL CHIP	39K 0.5% 1/10W (EXCEPT SE350/SE500)
R309	1-216-079-00	METAL CHIP	18K 5% 1/10W (EXCEPT SE350/SE500)
R310	1-216-079-00	METAL CHIP	18K 5% 1/10W (EXCEPT SE350/SE500)
R311	1-216-057-00	METAL CHIP	2.2K 5% 1/10W (EXCEPT SE350/SE500)
R312	1-216-083-00	METAL CHIP	27K 5% 1/10W (EXCEPT SE350/SE500)
R313	1-216-133-00	METAL CHIP	3.3M 5% 1/10W (EXCEPT SE350/SE500)
R315	1-216-033-00	METAL CHIP	220 5% 1/10W (EXCEPT SE350/SE500)
R316	1-216-033-00	METAL CHIP	220 5% 1/10W (EXCEPT SE350/SE500)
R322	1-216-295-91	SHORT	0 (EXCEPT SE350/SE500)
R323	1-216-065-91	RES, CHIP	4.7K 5% 1/10W (SE800/SX800)
R324	1-216-065-91	RES, CHIP	4.7K 5% 1/10W (SE800/SX800)
R325	1-216-079-00	METAL CHIP	18K 5% 1/10W (EXCEPT SE350/SE500/SE600: A, N/SE700R)
R326	1-216-079-00	METAL CHIP	18K 5% 1/10W (EXCEPT SE350/SE500/SE600: A, N/SE700R)
R329	1-216-041-00	METAL CHIP	470 5% 1/10W (EXCEPT SE350/SE500)
R350	1-216-093-91	RES, CHIP	68K 5% 1/10W
R351	1-216-067-00	METAL CHIP	5.6K 5% 1/10W
R352	1-216-093-91	RES, CHIP	68K 5% 1/10W (SE500)
R353	1-216-067-00	METAL CHIP	5.6K 5% 1/10W (SE500)
R354	1-216-129-00	METAL CHIP	2.2M 5% 1/10W
R355	1-216-093-91	RES, CHIP	68K 5% 1/10W (SE350/SE500)
R356	1-216-067-00	METAL CHIP	5.6K 5% 1/10W (SE350/SE500)
R357	1-216-071-00	METAL CHIP	8.2K 5% 1/10W
R358	1-216-055-00	METAL CHIP	1.8K 5% 1/10W
R359	1-216-065-91	RES, CHIP	4.7K 5% 1/10W
R362	1-216-051-00	METAL CHIP	1.2K 5% 1/10W
R363	1-216-079-00	METAL CHIP	18K 5% 1/10W
R364	1-216-035-00	METAL CHIP	270 5% 1/10W
R365	1-216-109-00	METAL CHIP	330K 5% 1/10W
R366	1-216-073-00	METAL CHIP	10K 5% 1/10W
R367	1-216-069-00	METAL CHIP	6.8K 5% 1/10W
R368	1-216-047-91	RES, CHIP	820 5% 1/10W
R370	1-216-075-00	METAL CHIP	12K 5% 1/10W
R371	1-216-079-00	METAL CHIP	18K 5% 1/10W
R380	1-216-017-91	RES, CHIP	47 5% 1/10W
R381	1-216-063-91	RES, CHIP	3.9K 5% 1/10W (EXCEPT SE500/SE800/SX800)

Ref. No.	Part No.	Description	Remark
R381	1-216-067-00	METAL CHIP	5.6K 5% 1/10W (SE500/SE800/SX800)
R382	1-217-671-11	METAL CHIP	1 5% 1/10W
R383	1-216-031-00	METAL CHIP	180 5% 1/10W
R390	1-216-083-00	METAL CHIP	27K 5% 1/10W (SE500/SE800/SX800)
R391	1-249-394-11	CARBON	12 5% 1/4W (SE500/SE800/SX800)
R392	1-216-073-00	METAL CHIP	10K 5% 1/10W (SE500/SE800/SX800)
R420	1-216-295-91	SHORT	0
R421	1-216-295-91	SHORT	0
R422	1-216-049-91	RES, CHIP	1K 5% 1/10W
R423	1-216-295-91	SHORT	0
R424	1-216-041-00	METAL CHIP	470 5% 1/10W (EXCEPT SE350/SE600/SX600)
R425	1-216-041-00	METAL CHIP	470 5% 1/10W (SE500K/SE800/SX800)
R427	1-216-017-91	RES, CHIP	47 5% 1/10W
R460	1-216-073-00	METAL CHIP	10K 5% 1/10W
R461	1-216-037-00	METAL CHIP	330 5% 1/10W
R462	1-216-049-91	RES, CHIP	1K 5% 1/10W
R463	1-216-053-00	METAL CHIP	1.5K 5% 1/10W
R465	1-216-061-00	METAL CHIP	3.3K 5% 1/10W
R466	1-216-065-91	RES, CHIP	4.7K 5% 1/10W
R467	1-216-069-00	METAL CHIP	6.8K 5% 1/10W
R468	1-216-077-91	RES, CHIP	15K 5% 1/10W
R469	1-216-089-91	RES, CHIP	47K 5% 1/10W
R470	1-216-073-00	METAL CHIP	10K 5% 1/10W
R471	1-216-037-00	METAL CHIP	330 5% 1/10W
R477	1-216-069-00	METAL CHIP	6.8K 5% 1/10W
R478	1-216-077-91	RES, CHIP	15K 5% 1/10W
R479	1-216-089-91	RES, CHIP	47K 5% 1/10W (SE500K/SE800/SX800)
R500	1-216-041-00	METAL CHIP	470 5% 1/10W
R501	1-216-041-00	METAL CHIP	470 5% 1/10W
R502	1-216-041-00	METAL CHIP	470 5% 1/10W
R503	1-216-041-00	METAL CHIP	470 5% 1/10W (EXCEPT SE350/SE500)
R509	1-216-065-91	RES, CHIP	4.7K 5% 1/10W (SE500R/SE650/SE700/SE800/SX700/SX800)
R510	1-249-407-11	CARBON	150 5% 1/4W (SE350/SE500/SE700R)
R510	1-249-408-11	CARBON	180 5% 1/4W (EXCEPT SE350/SE500/SE700R)
R511	1-249-407-11	CARBON	150 5% 1/4W
R512	1-216-022-00	METAL CHIP	75 5% 1/10W
R514	1-216-037-00	METAL CHIP	330 5% 1/10W
R515	1-216-049-91	RES, CHIP	1K 5% 1/10W
R516	1-216-065-91	RES, CHIP	4.7K 5% 1/10W
R517	1-216-022-00	METAL CHIP	75 5% 1/10W
R518	1-216-065-91	RES, CHIP	4.7K 5% 1/10W (SE650/SE700/SE800/SX700/SX800)
R520	1-216-022-00	METAL CHIP	75 5% 1/10W (SE500R/SE700R/SE800K)
R521	1-249-408-11	CARBON	180 5% 1/4W (SE500R/SE700R/SE800K)
R522	1-216-025-91	RES, CHIP	100 5% 1/10W (SE500R/SE700R/SE800K)
R524	1-249-407-11	CARBON	150 5% 1/4W (SE500R/SE700R/SE800K)

Ref. No.	Part No.	Description	Remark	Ref. No.	Part No.	Description	Remark
R541	1-216-025-91	RES, CHIP (EXCEPT SE350/SE500R/SE600: A, N/ SE700: G, I, R/SE800G)	100 5% 1/10W	R595	1-216-057-00	METAL CHIP	2.2K 5% 1/10W (SE500K)
R542	1-249-408-11	CARBON (EXCEPT SE350/SE500R/SE600: A, N/ SE700: G, I, R/SE800G)	180 5% 1/4W	R596	1-216-077-91	RES, CHIP	15K 5% 1/10W (SE500K)
R543	1-249-407-11	CARBON (EXCEPT SE350/SE500R/SE600: A, N/ SE700: G, I, R/SE800G)	150 5% 1/4W	R611	1-216-049-91	RES, CHIP (EXCEPT SE350/SE500R/SE600: A, N/SE700R)	1K 5% 1/10W
R545	1-216-085-00	METAL CHIP (EXCEPT SE350/SE500R/SE600: A, N/ SE700: G, I, R)	33K 5% 1/10W	R615	1-216-047-91	RES, CHIP (EXCEPT SE350/SE500R/SE600: A, N/SE700R)	820 5% 1/10W
R546	1-216-089-91	RES, CHIP (EXCEPT SE350/SE500R/SE600: A, N/ SE700: G, I, R)	47K 5% 1/10W	R617	1-216-049-91	RES, CHIP	1K 5% 1/10W
R547	1-216-049-91	RES, CHIP (EXCEPT SE350/SE500R/SE600: A, N/ SE700: G, I, R/SE800G)	1K 5% 1/10W	R618	1-216-055-00	METAL CHIP	1.8K 5% 1/10W
R548	1-216-022-00	METAL CHIP (EXCEPT SE350/SE500R/ SE600: A, N/SE700R)	75 5% 1/10W	R624	1-216-073-00	METAL CHIP	10K 5% 1/10W
R549	1-216-022-00	METAL CHIP (EXCEPT SE350/SE500R/SE600: A, N/ SE700: G, I, R/SE800G)	75 5% 1/10W	R625	1-216-065-91	RES, CHIP	4.7K 5% 1/10W
R570	1-216-041-00	METAL CHIP (EXCEPT SE350/SE500R/SE600: A, N/SE700R)	470 5% 1/10W	R626	1-216-049-91	RES, CHIP	1K 5% 1/10W
R571	1-216-041-00	METAL CHIP (EXCEPT SE350/SE500R/SE600: A, N/SE700R)	470 5% 1/10W	R627	1-216-121-91	RES, CHIP	1M 5% 1/10W
R572	1-216-041-00	METAL CHIP (EXCEPT SE350/SE500R/SE600: A, N/ SE700: G, I, R/SE800G)	470 5% 1/10W	R660	1-216-049-91	RES, CHIP	1K 5% 1/10W
R573	1-216-041-00	METAL CHIP (EXCEPT SE350/SE500/SE600: A, N/ SE700: G, I, R/SE800G)	470 5% 1/10W	R661	1-216-121-91	RES, CHIP	1M 5% 1/10W
R574	1-216-097-91	RES, CHIP (EXCEPT SE350/SE500R/SE600: A, N/ SE700: G, I, R/SE800G)	100K 5% 1/10W	R662	1-216-041-00	METAL CHIP	470 5% 1/10W
R575	1-216-097-91	RES, CHIP (EXCEPT SE350/SE500/SE600: A, N/ SE700: G, I, R/SE800G)	100K 5% 1/10W	R663	1-216-053-00	METAL CHIP	1.5K 5% 1/10W
R580	1-216-049-91	RES, CHIP (SE350/SE500)	1K 5% 1/10W	R664	1-216-295-91	SHORT	0
R580	1-216-295-91	SHORT	0 (EXCEPT SE350/SE500)	R666	1-216-295-91	SHORT	0
R581	1-216-065-91	RES, CHIP (SE350/SE500)	4.7K 5% 1/10W	R667	1-216-037-00	METAL CHIP	330 5% 1/10W
R582	1-216-073-00	METAL CHIP (SE500K)	10K 5% 1/10W	R668	1-216-025-91	RES, CHIP	100 5% 1/10W
R583	1-216-073-00	METAL CHIP (SE500K)	10K 5% 1/10W	R669	1-216-025-91	RES, CHIP	100 5% 1/10W
R584	1-216-073-00	METAL CHIP (SE500K)	10K 5% 1/10W	R670	1-216-041-00	METAL CHIP	470 5% 1/10W
R585	1-216-097-91	RES, CHIP (SE500K)	100K 5% 1/10W	R671	1-216-295-91	SHORT	0
R586	1-216-097-91	RES, CHIP (SE500K)	100K 5% 1/10W	R672	1-216-049-91	RES, CHIP (SE350/SE500/SE600: B, N/SE700: B, K, N, R /SE800: B, K, N/SX700B)	1K 5% 1/10W
R587	1-216-097-91	RES, CHIP (SE500K)	100K 5% 1/10W	R700	1-216-057-00	METAL CHIP	2.2K 5% 1/10W (SE700R)
R590	1-216-049-91	RES, CHIP	1K 5% 1/10W	R701	1-216-073-00	METAL CHIP	10K 5% 1/10W (SE700R)
R591	1-216-049-91	RES, CHIP (EXCEPT SE350/SE500)	1K 5% 1/10W	R702	1-216-295-91	SHORT	0 (EXCEPT SE700R)
R592	1-216-049-91	RES, CHIP (EXCEPT SE350/SE500)	1K 5% 1/10W	R703	1-216-025-91	RES, CHIP	100 5% 1/10W (SE700R)
R593	1-216-097-91	RES, CHIP (SE500K)	100K 5% 1/10W	R704	1-216-025-91	RES, CHIP	100 5% 1/10W
R594	1-216-073-00	METAL CHIP (SE500K)	10K 5% 1/10W	R705	1-216-033-00	METAL CHIP	220 5% 1/10W
				R711	1-212-897-00	FUSIBLE	470 5% 1/4W
				R713	1-216-025-91	RES, CHIP	100 5% 1/10W
				R714	1-216-113-00	METAL CHIP	470K 5% 1/10W
				R720	1-216-049-91	RES, CHIP	1K 5% 1/10W (SE700R)
				R721	1-216-049-91	RES, CHIP	1K 5% 1/10W (SE700R)
				R722	1-216-049-91	RES, CHIP	1K 5% 1/10W (SE700R)
				R723	1-216-097-91	RES, CHIP	100K 5% 1/10W
				R724	1-216-061-00	METAL CHIP	3.3K 5% 1/10W
				R725	1-216-081-00	METAL CHIP	22K 5% 1/10W
				R726	1-216-097-91	RES, CHIP	100K 5% 1/10W
				R730	1-216-041-00	METAL CHIP (EXCEPT SE350/SE500/SE700R)	470 5% 1/10W
				R731	1-216-041-00	METAL CHIP (EXCEPT SE350/SE500/SE700: G, R/SE800G)	470 5% 1/10W
				R732	1-216-041-00	METAL CHIP (EXCEPT SE350/SE500/SE700R)	470 5% 1/10W
				R733	1-216-041-00	METAL CHIP (EXCEPT SE700G/SE800G)	470 5% 1/10W
				R754	1-216-025-91	RES, CHIP	100 5% 1/10W
				R755	1-216-025-91	RES, CHIP	100 5% 1/10W
				R756	1-216-073-00	METAL CHIP	10K 5% 1/10W
				R757	1-216-049-91	RES, CHIP	1K 5% 1/10W

MA-373

Ref. No.	Part No.	Description	Remark
R800	1-216-101-00	METAL CHIP 150K 5% 1/10W (EXCEPT SE600/SE700R/SX600)	
R801	1-216-073-00	METAL CHIP 10K 5% 1/10W (EXCEPT SE600/SE700R/SX600)	
R802	1-216-073-00	METAL CHIP 10K 5% 1/10W (EXCEPT SE600/SE700R/SX600)	
R803	1-216-081-00	METAL CHIP 22K 5% 1/10W (EXCEPT SE600/SE700R/SX600)	
R804	1-216-073-00	METAL CHIP 10K 5% 1/10W (EXCEPT SE600/SE700R/SX600)	
R805	1-216-073-00	METAL CHIP 10K 5% 1/10W (EXCEPT SE600/SE700R/SX600)	
R806	1-216-073-00	METAL CHIP 10K 5% 1/10W (EXCEPT SE600/SE700R/SX600)	
R807	1-216-085-00	METAL CHIP 33K 5% 1/10W (EXCEPT SE600/SE700R/SX600)	
R813	1-216-073-00	METAL CHIP 10K 5% 1/10W (EXCEPT SE600/SE700R/SX600)	
R850	1-216-025-91	RES, CHIP 100 5% 1/10W (EXCEPT SE500R/SE600/SE700R/SX600)	
R851	1-216-077-91	RES, CHIP 15K 5% 1/10W (EXCEPT SE500R/SE600/SE700R/SX600)	
R852	1-216-081-00	METAL CHIP 22K 5% 1/10W (EXCEPT SE500R/SE600/SE700R/SX600)	
R853	1-216-049-91	RES, CHIP 1K 5% 1/10W (EXCEPT SE500R/SE600/SE700R/SX600)	
R856	1-216-097-91	RES, CHIP 100K 5% 1/10W (EXCEPT SE500R/SE600/SE700R/SX600)	
R857	1-216-069-00	METAL CHIP 6.8K 5% 1/10W (EXCEPT SE500R/SE600/SE700R/SX600)	
R858	1-216-069-00	METAL CHIP 6.8K 5% 1/10W (EXCEPT SE500R/SE600/SE700R/SX600)	
R859	1-216-123-11	METAL CHIP 1.2M 5% 1/10W (EXCEPT SE500R/SE600/SE700R/SX600)	
R860	1-216-123-11	METAL CHIP 1.2M 5% 1/10W (EXCEPT SE500R/SE600/SE700R/SX600)	
R861	1-216-117-00	METAL CHIP 680K 5% 1/10W (EXCEPT SE500R/SE600/SE700R/SX600)	
R862	1-216-057-00	METAL CHIP 2.2K 5% 1/10W (EXCEPT SE500R/SE600/SE700R/SX600)	
R968	1-216-101-00	METAL CHIP 150K 5% 1/10W (SE600B/SE700B/SE800B/SX700B)	
R969	1-216-069-00	METAL CHIP 6.8K 5% 1/10W (SE600B/SE700B/SE800B/SX700B)	
R970	1-216-085-00	METAL CHIP 33K 5% 1/10W (SE600B/SE700B/SE800B/SX700B)	
R971	1-216-085-00	METAL CHIP 33K 5% 1/10W (SE600B/SE700B/SE800B/SX700B)	
R972	1-216-083-00	METAL CHIP 27K 5% 1/10W (SE600B/SE700B/SE800B/SX700B)	
R973	1-216-105-91	RES, CHIP 220K 5% 1/10W (SE600B/SE700B/SE800B/SX700B)	
R974	1-216-081-00	METAL CHIP 22K 5% 1/10W (SE600B/SE700B/SE800B/SX700B)	
R975	1-216-295-91	SHORT 0 (SE600B/SE700B/SE800B/SX700B)	
R976	1-216-059-00	METAL CHIP 2.7K 5% 1/10W (SE600B/SE700B/SE800B/SX700B)	
R977	1-216-089-91	RES, CHIP 47K 5% 1/10W (SE600B/SE700B/SE800B/SX700B)	
R978	1-216-071-00	METAL CHIP 8.2K 5% 1/10W (SE600B/SE700B/SE800B/SX700B)	
R979	1-216-073-00	METAL CHIP 10K 5% 1/10W (SE600B/SE700B/SE800B/SX700B)	

Ref. No.	Part No.	Description	Remark
R980	1-216-097-91	RES, CHIP 100K 5% 1/10W (SE600B/SE700B/SE800B/SX700B)	
R981	1-216-083-00	METAL CHIP 27K 5% 1/10W (SE600B/SE700B/SE800B/SX700B)	
R982	1-216-089-91	RES, CHIP 47K 5% 1/10W (SE600B/SE700B/SE800B/SX700B)	
R983	1-216-067-00	METAL CHIP 5.6K 5% 1/10W (SE600B/SE700B/SE800B/SX700B)	
R985	1-216-041-00	METAL CHIP 470 5% 1/10W (SE600B/SE700B/SE800B/SX700B)	
R986	1-216-089-91	RES, CHIP 47K 5% 1/10W (SE600B/SE700B/SE800B/SX700B)	
R988	1-216-077-91	RES, CHIP 15K 5% 1/10W (SE600B/SE700B/SE800B/SX700B)	
R989	1-216-049-91	RES, CHIP 1K 5% 1/10W (SE600B/SE700B/SE800B/SX700B)	
R990	1-216-295-91	SHORT 0 (SE600B/SE700B/SE800B/SX700B)	
R993	1-216-071-00	METAL CHIP 8.2K 5% 1/10W (SE600B/SE700B/SE800B/SX700B)	
R994	1-216-689-11	METAL CHIP 39K 0.5% 1/10W (SE600B/SE700B/SE800B/SX700B)	
R995	1-216-073-00	METAL CHIP 10K 5% 1/10W (SE600B/SE700B/SE800B/SX700B)	
R996	1-216-689-11	METAL CHIP 39K 0.5% 1/10W (SE600B/SE700B/SE800B/SX700B)	
R997	1-216-073-00	METAL CHIP 10K 5% 1/10W (SE600B/SE700B/SE800B/SX700B)	
R998	1-216-073-00	METAL CHIP 10K 5% 1/10W (SE600B/SE700B/SE800B/SX700B)	
R999	1-216-295-91	SHORT 0 (SE600B/SE700B/SE800B/SX700B)	
		< SWITCH >	
S100	1-771-155-11	SWITCH, ROTARY (CAM ENCODER)	
S101	1-571-958-11	SWITCH, PUSH (1 KEY) (REC PROOF)	
S460	1-771-574-21	SWITCH, TACTILE (I/O)	
S461	1-771-574-21	SWITCH, TACTILE (≡ EJECT)	
S463	1-771-574-21	SWITCH, TACTILE (PROGRAM/TRACKING +)	
S464	1-771-574-21	SWITCH, TACTILE (AUDIO DUB) (SE500/SE800/SX800)	
S465	1-771-574-21	SWITCH, TACTILE (RR) (SE500/SE650/SE700/SE800/SX700/SX800)	
S467	1-571-588-11	SWITCH, SLIDE (NTSC PB)	
S476	1-771-574-21	SWITCH, TACTILE (PROGRAM/TRACKING -)	
S477	1-771-574-21	SWITCH, TACTILE (AUTO SET UP/RF CHANNEL)	
S478	1-771-574-21	SWITCH, TACTILE (SYNCHRO REC) (SE500K/SE800/SX800)	
		< TRANSFORMER >	
T380	1-433-479-11	TRANSFORMER, BIAS OSCILLATION (EXCEPT SE500/SE800/SX800)	
T380	1-433-538-11	TRANSFORMER, BIAS OSCILLATION (SE500/SE800/SX800)	
T390	1-433-537-11	TRANSFORMER, BIAS OSCILLATION (SE500/SE800/SX800)	
		< TUNER >	
TU701	1-693-480-11	TUNER, IF (BTF-2MC422) (SE350/SE500/SE700R)	
TU702	1-693-436-51	TUNER, IF (BTF-3WC428) (SE600: E, N/SE700: E1, E2, I, N/ SE800: E, N/SX600/SX700E)	

Ref. No.	Part No.	Description	Remark
TU702	1-693-437-51	TUNER, IF (BTF-3WU604) (SE700G/SE800G)	
TU702	1-693-438-51	TUNER, IF (BTF-3WC446) (SE600B/SE700B/SE800B/SX700B)	
TU702	1-693-439-61	TUNER, IF (BTF-3WC429) (SE600A/SE650/SE700: D1, D2, K/ SE800: D1, D2, K/SX700D/SX800)	
< VIBRATOR >			
X160	1-579-463-11	VIBRATOR, CRYSTAL (32.768kHz)	
X161	1-781-717-21	VIBRATOR, CRYSTAL (17.734475MHz)	
X200	1-579-608-21	VIBRATOR, CRYSTAL (4.43MHz)	

	1-468-458-11	POWER BLOCK (SRV938EK)	(Ref.No. 2,000 Series)

< CAPACITOR >			
△C101	9-885-001-69	METAL	0.1uF
△C102	9-885-001-69	METAL	0.1uF
△C103	9-885-001-70	CERAMIC	1000PF 250V
△C104	9-885-001-70	CERAMIC	1000PF 250V
△C105	9-885-001-70	CERAMIC	1000PF 250V
△C108	9-885-001-70	CERAMIC	1000PF 250V
△C109	9-885-001-70	CERAMIC	1000PF 250V
C151	9-885-001-81	ELECT	47uF 400V
C153	1-163-015-91	CERAMIC CHIP	3300PF
C155	1-126-965-91	ELECT	22uF 50V
C156	1-126-960-91	ELECT	1uF 50V
C157	1-163-009-91	CERAMIC CHIP	1000PF
C158	1-163-273-91	CERAMIC CHIP	820PF
C159	1-163-251-91	CERAMIC CHIP	100PF
C160	1-163-021-91	CERAMIC CHIP	10000PF
C161	1-163-009-91	CERAMIC CHIP	1000PF
C201	9-885-001-91	ELECT	220uF 25V
C202	1-126-925-91	ELECT	470uF 10V
C203	1-126-934-91	ELECT	220uF 16V
C206	1-126-947-91	ELECT	47uF 35V
C207	1-126-964-91	ELECT	10uF 50V
C208	1-126-925-91	ELECT	470uF 10V
C209	1-163-021-91	CERAMIC	0.01uF 50V
C212	1-163-021-91	CERAMIC	0.01uF 50V
C213	1-126-956-91	ELECT	0.1uF 50V
C251	1-126-967-91	ELECT	47uF 50V
C252	1-111-065-11	ELECT	680uF 25V
C253	1-111-016-91	ELECT	1200uF 10V
C254	9-885-001-92	ELECT	470uF 25V
C261	1-164-489-91	CERAMIC CHIP	0.22uF 16V
C301	1-111-118-91	ELECT	220uF 50V
C303	1-126-965-91	ELECT	22uF 50V
< CONNECTOR >			
△CN101	1-580-230-11	CONNECTOR	
CN201	1-778-675-21	CONNECTOR 19P	
CN202	1-793-674-21	CONNECTOR 7P	
< DIODE >			
△D101	9-880-927-01	DIODE 1N4005	
△D102	9-880-927-01	DIODE 1N4005	

Ref. No.	Part No.	Description	Remark
△D103	9-880-927-01	DIODE 1N4005	
△D104	9-880-927-01	DIODE 1N4005	
D151	9-885-001-77	DIODE P6KE300	
D152	9-885-001-78	DIODE UF4007	
D153	9-885-001-79	DIODE 1SS119	
D154	9-885-001-80	DIODE PR1003	
D158	9-880-991-01	DIODE MA4270	
D203	9-885-001-86	DIODE MTZJ5.1	
D204	9-885-001-79	DIODE 1SS119	
D205	9-885-001-79	DIODE 1SS119	
D251	9-885-001-80	DIODE PR1003	
D252	9-885-001-87	DIODE UF3DL	
D253	9-885-001-88	DIODE SB340L	
D254	9-885-001-80	DIODE PR1003	
D301	9-885-001-87	DIODE UF3DL	
D302	9-885-001-89	DIODE D2S4M	
D303	9-885-001-90	DIODE MTZJ20	
D304	9-885-001-89	DIODE D2S4M	
D307	9-885-001-89	DIODE D2S4M	
< FUSE >			
△F101	9-885-001-72	FUSE (T2AL/250V)	
< IC >			
△IC151	9-885-001-74	IC TDA16846	
IC251	9-885-001-82	IC AN1431T	
< LINE FILTER/COIL >			
△L101	9-885-001-67	LINE FILTER	10uH
△L102	9-885-001-68	LINE FILTER	33mH
△L103	9-885-001-68	LINE FILTER	33mH
L201	9-885-001-93	CHOKO COIL	10uH
L202	9-885-001-93	CHOKO COIL	10uH
L205	9-885-001-94	CHOKO COIL	1uH
< PHOTO COUPLER >			
△PC151	9-885-001-75	COUPLER, PHOTO	ON3171
< IC LINK >			
△PS201	1-533-592-21	LINK, IC (1.6A)	
△PS202	1-533-593-21	LINK, IC (2A)	
△PS251	1-533-589-21	LINK, IC (750mA)	
< TRANSISTOR >			
△Q151	9-885-001-73	TRANSISTOR	2SK3047
△Q201	8-729-141-01	TRANSISTOR	2SB733
Q203	8-729-030-98	TRANSISTOR	2PD601A
Q204	8-729-139-97	TRANSISTOR	2SC2785
Q205	8-729-018-99	TRANSISTOR	2SD2394
Q206	8-729-139-97	TRANSISTOR	2SC2785
Q207	9-885-001-83	TRANSISTOR	2SD1862
Q210	8-729-043-32	TRANSISTOR	DTA114EKA
Q211	8-729-043-29	TRANSISTOR	DTC114EKA
Q301	8-729-018-99	TRANSISTOR	2SD2394
Q302	9-885-001-84	TRANSISTOR	DTC143EKA
Q303	8-729-018-99	TRANSISTOR	2SD2394

The components identified by mark △ or dotted line with mark △ are critical for safety. Replace only with part number specified.

POWER BLOCK

Ref. No.	Part No.	Description	Remark
Q304	8-729-139-97	TRANSISTOR 2SC2785	
△ Q305	8-729-141-01	TRANSISTOR 2SB733	
Q306	9-885-001-84	TRANSISTOR DTC143EKA	
Q307	9-885-001-85	TRANSISTOR 2SA1015	
< RESISTOR >			
△ R101	9-885-001-71	CARBON 1M	1/2W
R151	1-247-903-91	CARBON 1M	1/4W
R152	1-247-903-91	CARBON 1M	1/4W
R155	1-216-073-21	RES, CHIP 10K	1/10W
R156	1-259-880-91	CARBON 2.2M	1/4W
R157	1-259-880-91	CARBON 2.2M	1/4W
R158	1-247-805-91	CARBON 82	1/4W
R159	1-249-397-11	CARBON 22	1/4W F
R160	1-247-795-91	CARBON 33	1/4W
R161	1-216-085-21	RES, CHIP 33K	1/10W
R162	1-216-085-21	RES, CHIP 33K	1/10W
R163	1-216-063-21	RES, CHIP 3.9K	1/10W
R164	1-247-861-91	CARBON 18K	1/4W
R201	1-216-049-21	RES, CHIP 1K	1/10W
R203	1-216-452-21	METAL 180	2W
R206	1-216-053-21	RES, CHIP 1.5K	1/10W
R207	1-247-615-91	CARBON 220	1/4W
R208	1-247-615-91	CARBON 220	1/4W
R209	1-247-615-91	CARBON 220	1/4W
R210	1-216-049-21	RES, CHIP 1K	1/10W
R213	1-216-089-21	RES, CHIP 47K	1/10W
R216	1-216-065-21	RES, CHIP 4.7K	1/10W
R217	1-215-857-81	METAL 10	1W
R218	1-215-908-81	METAL 33	3W
R219	1-247-847-91	CARBON 4.7K	1/4W
R220	1-216-065-21	RES, CHIP 4.7K	1/10W
R222	1-247-615-91	CARBON 220	1/4W
R251	1-249-402-11	CARBON 56	1/4W F
R261	1-216-049-21	RES, CHIP 1K	1/10W
R263	1-216-079-21	RES, CHIP 18K	1/10W
R264	1-216-077-21	RES, CHIP 15K	1/10W
R265	1-216-073-21	RES, CHIP 10K	1/10W
R266	1-216-061-21	RES, CHIP 3.3K	1/10W
R301	1-216-073-21	RES, CHIP 10K	1/10W
R302	1-215-869-81	METAL 1K	1W
R306	1-216-073-21	RES, CHIP 10K	1/10W
R307	1-215-869-81	METAL 1K	1W
R308	1-216-049-21	RES, CHIP 1K	1/10W
R311	1-247-885-91	CARBON 10K	1/4W
R312	1-215-880-81	METAL 10	2W
R313	1-215-880-81	METAL 10	2W
R314	1-215-892-81	METAL 1K	2W
R315	1-215-892-81	METAL 1K	2W
R316	1-247-879-91	CARBON 100K	1/4W
< TRANSFORMER >			
△ T151	9-885-001-76	TRANSFORMER, POWER	
< VARIABLE RESISTOR >			
VR251	1-241-629-11	VARIABLE RESISTOR 5K	

Ref. No.	Part No.	Description	Remark
< VARISTOR >			
△ Z101	9-880-928-01	VARISTOR ERZV10D751	
MISCELLANEOUS *****			
13	1-792-020-11	CABLE, FLAT (FDS-7) (SE500/SE800/SX800)	
13	1-792-021-11	CABLE, FLAT (FDS-8) (EXCEPT SE500/SE800/SX800)	
15	1-762-844-31	SWITCH, ROTARY (SE500/SE800/SX800)	
56	1-792-022-11	CABLE, FLAT (FFM-001)	
57	1-792-018-11	CABLE, FLAT (FAC-8)	
△ 58	1-782-012-11	CORD, POWER	
704	1-500-144-11	HEAD, FE	
721	A-6775-791-A	HEAD BLOCK ASSY, ACE FFC	
768	1-772-361-11	DRUM ASSY, DZH-92D (SE350)	
768	1-772-362-11	DRUM ASSY, DZH-93D (SE500)	
768	1-772-364-11	DRUM ASSY, DZH0B5A (EXCEPT SE350/ SE500/SE600B/SE700B/SE800B/SX700B)	
768	1-772-365-11	DRUM ASSY, DZH0B6A (SE600B/SE700B/SE800B/SX700B)	
M902	1-698-971-11	MOTOR, DC (CAPSTAN)	
M903	X-3947-577-1	MOTOR ASSY, CAM	
***** HARDWARE LIST *****			
#1	7-685-648-79	SCREW +BVTP 3X12 TYPE2	
#2	7-682-147-01	SCREW +P 3X6	
#3	7-685-646-79	SCREW +BVTP 3X8 TYPE2 IT-3	
#4	7-685-133-19	SCREW (DIA. 2.6) (IT3B)	
ACCESSORIES & PACKING MATERIALS *****			
△	1-696-593-11	CORD, CONNECTION (PAL) (1.5m)	
	1-770-019-11	ADAPTOR, CONVERSION PLUG 3P (SE700: G, I/SE800G)	
	3-868-269-11	MANUAL, INSTRUCTION (FRENCH) (SE800:D2, E)	
	3-868-269-21	MANUAL, INSTRUCTION (SPANISH)(SE800E)	
	3-868-269-31	MANUAL, INSTRUCTION (GERMAN) (SE800: D1, D2, E/SX800)	
	3-868-269-41	MANUAL, INSTRUCTION (ITALIAN) (SE800D2/SX800)	
	3-868-269-51	MANUAL, INSTRUCTION (DUTCH) (SE800: D2, E/SX800)	
	3-868-269-61	MANUAL, INSTRUCTION (PORTUGUESE) (SE800E)	
	3-868-269-71	MANUAL, INSTRUCTION (GREEK) (SE800D2)	
	3-868-270-11	MANUAL, INSTRUCTION (SWEDISH) (SE800E)	
	3-868-270-21	MANUAL, INSTRUCTION (DANISH) (SE800E)	
	3-868-270-31	MANUAL, INSTRUCTION (FINNISH) (SE800E)	
	3-868-271-11	MANUAL, INSTRUCTION (FRENCH) (SE800B)	
	3-868-272-11	MANUAL, INSTRUCTION (ENGLISH) (SE800G)	
	3-868-273-11	MANUAL, INSTRUCTION (FRENCH) (SE600E/SE700: D2, E2/SX700: D, E)	
	3-868-273-21	MANUAL, INSTRUCTION (SPANISH) (SE600E/SE700E1/SX600/SX700E)	

The components identified by mark △ or dotted line with mark △ are critical for safety. Replace only with part number specified.

<u>Ref. No.</u>	<u>Part No.</u>	<u>Description</u>	<u>Remark</u>
3-868-273-31		MANUAL, INSTRUCTION (GERMAN) (SE600: A, E/SE650/SE700: D1, D2, E2/SX700: D, E)	
3-868-273-41		MANUAL, INSTRUCTION (ITALIAN) (SE600A/SE700D2/SX700D)	
3-868-273-51		MANUAL, INSTRUCTION (DUTCH) (SE600: A, E/SE700: D2, E2/SX700: D, E)	
3-868-273-61		MANUAL, INSTRUCTION (PORTUGUESE) (SE700E1/SX700E)	
3-868-273-71		MANUAL, INSTRUCTION (GREEK) (SE600A/SE700D2)	
3-868-274-11		MANUAL, INSTRUCTION (SWEDISH) (SE600E/SE700E2/SX600/SX700E)	
3-868-274-21		MANUAL, INSTRUCTION (DANISH) (SE600E/SE700E2/SX600/SX700E)	
3-868-274-31		MANUAL, INSTRUCTION (FINNISH) (SE600E/SE700E2/SX600/SX700E)	
3-868-275-11		MANUAL, INSTRUCTION (ENGLISH) (SE700: G, I)	
3-868-277-11		MANUAL, INSTRUCTION (ENGLISH) (SE350/ SE500/SE600N/SE700: K, N, R/SE800: K, N)	
3-868-277-21		MANUAL, INSTRUCTION (CZECH) (SE350/SE500K/SE600N/SE700K/SE800K)	
3-868-277-31		MANUAL, INSTRUCTION (POLISH) (SE350/SE500K/SE600N/SE700N/SE800N)	
3-868-277-41		MANUAL, INSTRUCTION (HUNGARIAN) (SE350/SE500K/SE600N/SE700N/SE800N)	
3-868-277-51		MANUAL, INSTRUCTION (RUSSIAN) (SE500R/SE700R/SE800K)	
3-868-352-11		MANUAL, INSTRUCTION (FRENCH) (SE600B/SE700B/SX700B)	

