

## SECTION 7 REPAIR PARTS LIST

### 7-1. EXPLODED VIEWS

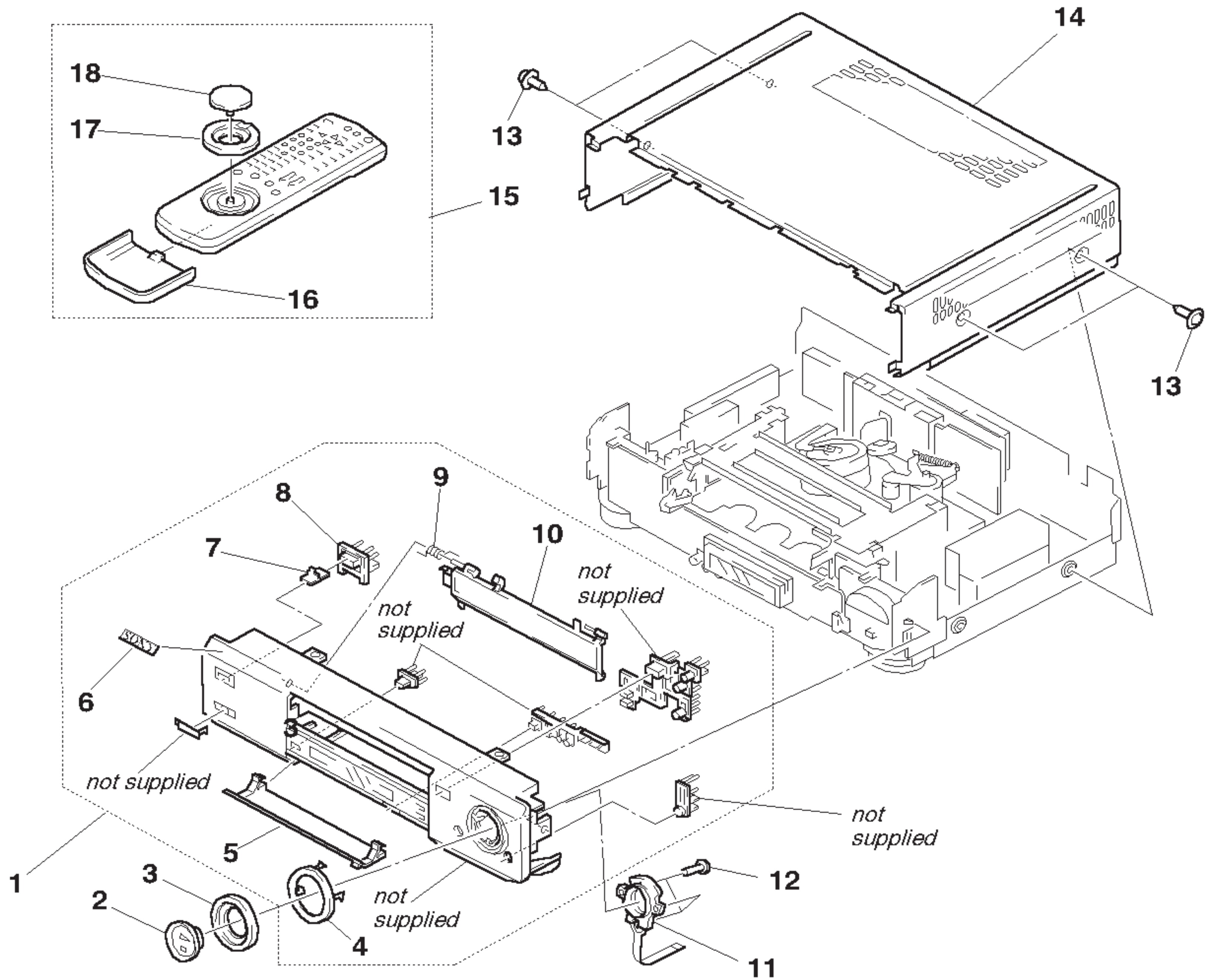
**NOTE:**

- -XX and -X mean standardized parts, so they may have some difference from the original one.
- Items marked "\*" are not stocked since they are seldom required for routine service. Some delay should be anticipated when ordering these items.
- The mechanical parts with no reference number in the exploded views are not supplied.
- Hardware (# mark) list and accessories and packing materials are given in the last of the electrical parts list.

The components identified by mark  $\Delta$  or dotted line with mark  $\Delta$  are critical for safety. Replace only with part number specified.

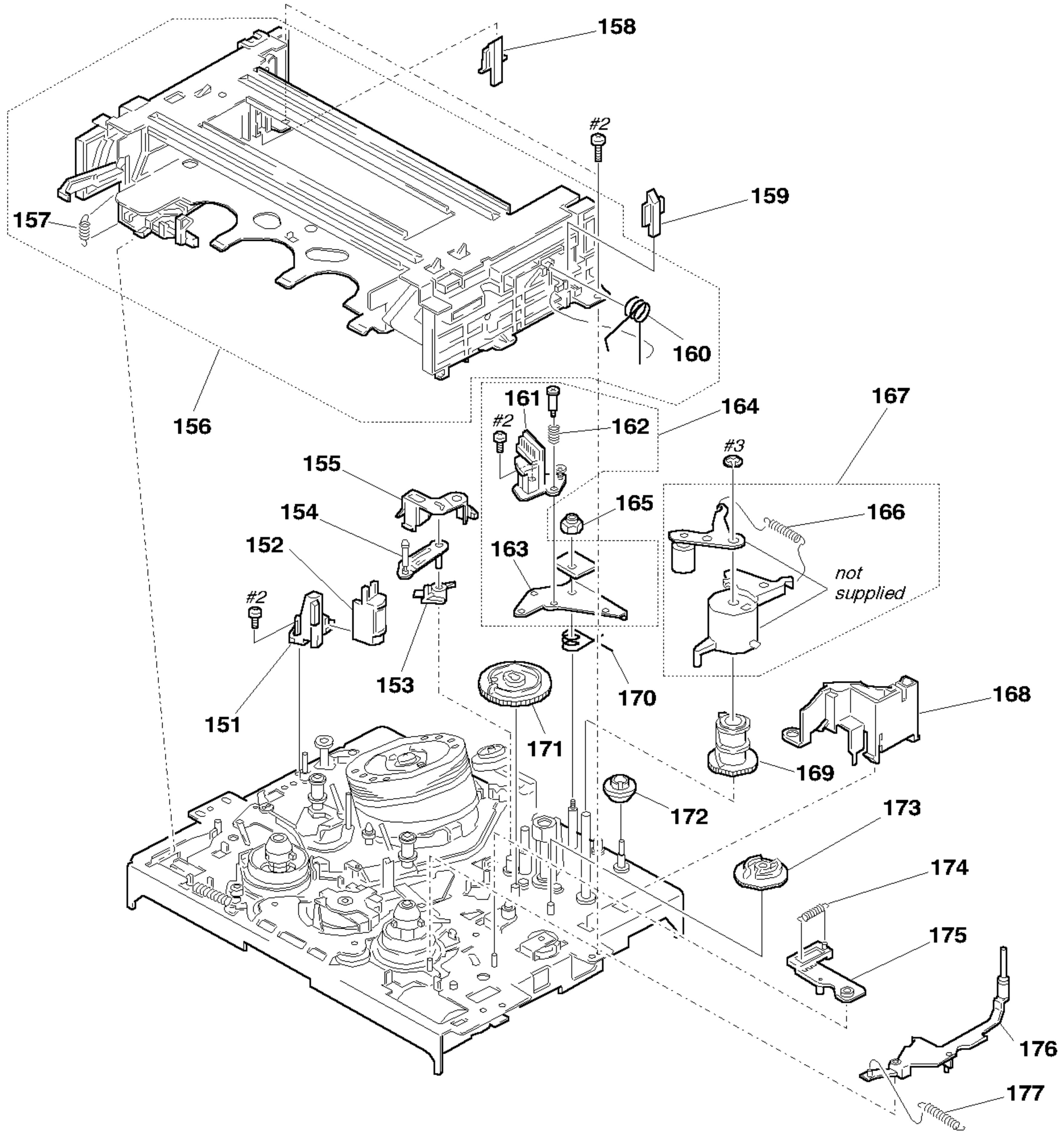
Les composants identifiés par une marque  $\Delta$  sont critiques pour la sécurité. Ne les remplacer que par une pièce portant le numéro spécifié.

#### 7-1-1. FRONT PANEL AND CABINET ASSEMBLIES (E820)



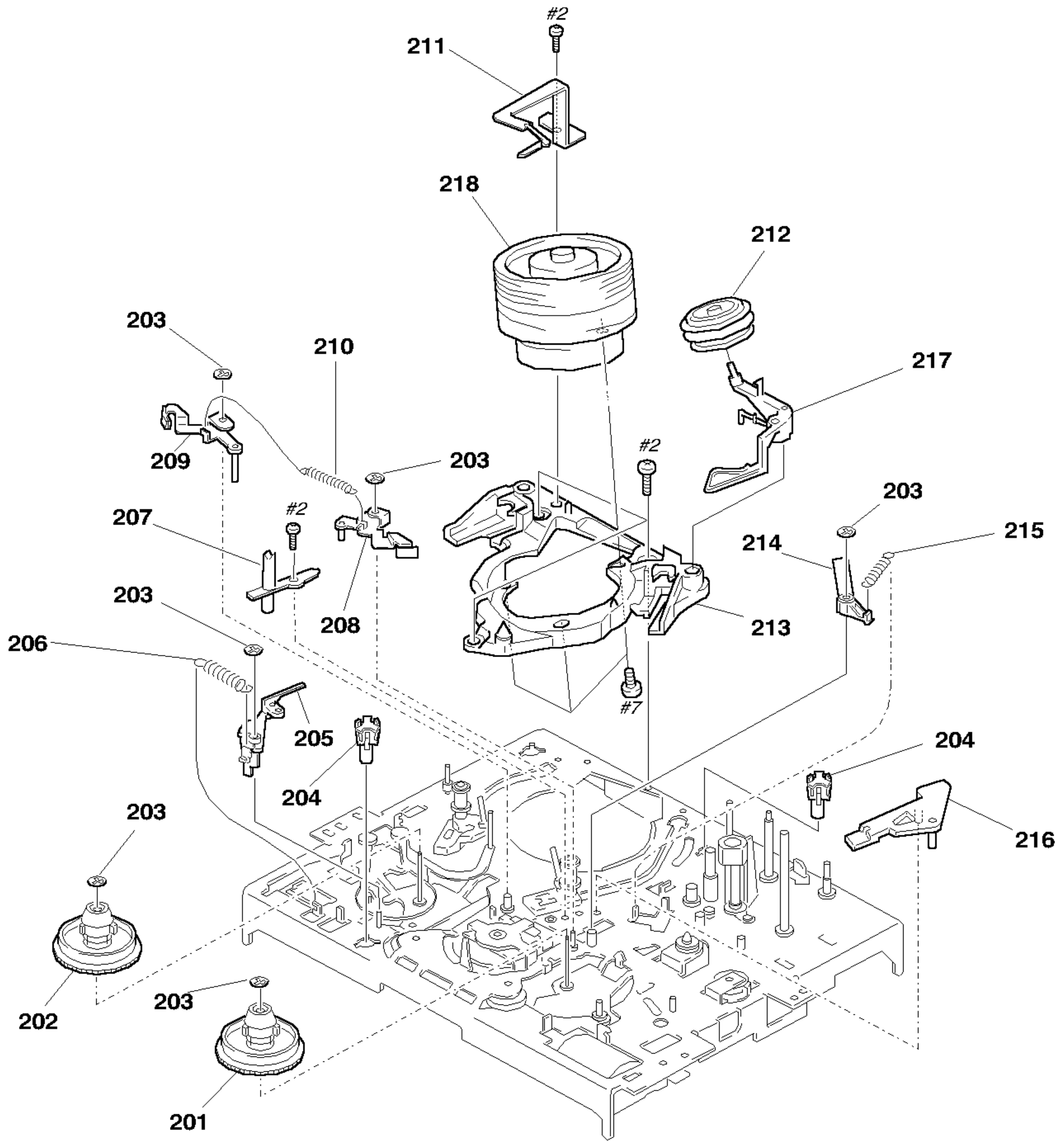
Ref. No.	Part No.	Description	Remark	Ref. No.	Part No.	Description	Remark
1	X-3946-639-1	PANEL ASSY, FRONT (E820VC)		12	3-968-554-01	SCREW (WN1411 D2.5 EJOT K25)	
1	X-3947-014-1	PANEL ASSY, FRONT (E820UX)		13	3-363-099-01	SCREW (CASE 3 TP2)	
1	X-3947-015-1	PANEL ASSY, FRONT (E820NP)		* 14	3-972-887-01	CASE (LS), UPPER	
1	X-3947-016-1	PANEL ASSY, FRONT (E820B/E820BZ)		15	1-475-029-11	REMOTE COMMANDER (RMT-V196)	(E820NP/E820VC)
2	3-972-782-11	BUTTON, CENTER (E820NP/E820UX/E820VC)		15	1-475-029-21	REMOTE COMMANDER (RMT-V196A)	(E820UX)
2	3-972-782-41	BUTTON, CENTER (E820B/820BZ)		15	1-475-029-31	REMOTE COMMANDER (RMT-V196B)	(E820B/E820BZ)
3	3-973-077-11	RING, CHANGE SPEED		16	3-709-126-01	COVER, BATTERY	(for RMT-V196, V196A, V196B)
* 4	3-972-781-01	PLATE, RING ORNAMENTAL		17	3-973-077-31	RING, CHANGE SPEED	(for RMT-V196, V196A, V196B)
5	3-970-162-41	DOOR (A), JACK (E820NP/E820UX/E820VC)		18	3-972-850-01	BUTTON, FUNCTION (for RMT-V196, V196A)	(E820NP/E820UX/E820VC)
5	3-970-162-81	DOOR (A), JACK (E820B/E820BZ)		18	3-972-850-21	BUTTON, FUNCTION (for RMT-V196B)	(E820B/E820BZ)
6	3-943-995-01	EMBLEM (NO.5), SONY					
7	3-946-611-01	TIP, POWER BUTTON					
8	3-966-213-01	BUTTON, POWER					
9	3-953-432-01	SPRING (GE), FL					
10	3-972-774-01	DOOR, CASSETTE					
11	1-762-844-21	SWITCH, ROTARY (CLICK SHUTTLE)					

### 7-1-4. MECHANISM CHASSIS ASSEMBLY (1)



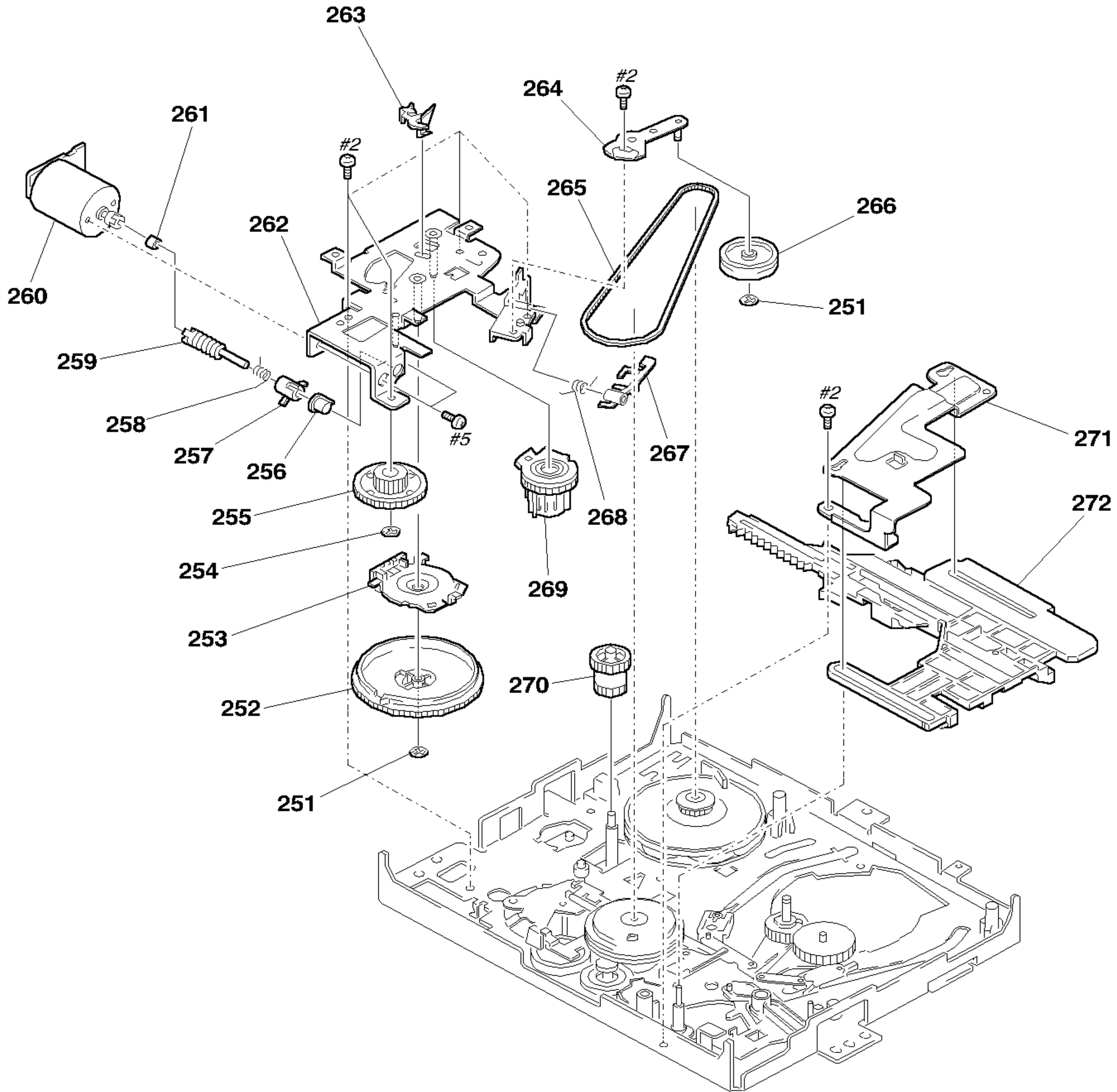
Ref. No.	Part No.	Description	Remark	Ref. No.	Part No.	Description	Remark
151	X-3945-348-2	FEH ASSY		165	3-942-867-01	NUT, AC HEIGHT ADJUSTMENT	
152	1-500-144-11	HEAD, FE		166	3-958-455-01	SPRING (PINCH), TENSION	
153	3-958-421-01	HOLDER, TG8		167	A-6746-072-A	PRESS BLOCK ASSY, PINCH	
154	X-3944-797-1	TG8 ASSY		168	3-958-454-01	OPNER, LID	
155	3-962-298-01	BRACKET, TG7 TAPE		169	3-958-151-01	GEAR, ELEVATOR	
156	A-6759-603-A	FL BLOCK ASSY		170	3-958-487-01	SPRING, (AEC) TORSION COIL	
157	3-958-467-01	SPRING, TENSION COIL		171	3-958-152-01	GEAR, TG8	
158	3-960-215-01	PLATE, END SENSOR LIGHT GUIDE		172	3-958-501-01	SCREW, ACE ADJUSTMENT	
159	3-970-473-01	PLATE, TOP SENSOR LIGHT GUIDE		173	3-958-153-01	GEAR, PRESS	
160	3-970-471-01	SPRING (DECK OPEN), TORSION		174	3-958-462-01	SPRING (RVS BRAKE), TENSION	
161	1-506-485-11	PIN, CONNECTOR 6P		175	X-3943-885-1	ARM ASSY, RVS BRAKE	
162	3-960-439-02	SPRING (ACE), COMPRESSION		176	X-3943-882-1	BRAKE (T) ASSY, SOFT	
163	3-958-491-01	BASE, ACE		177	3-958-505-01	SPRING (SOFT BRAKE T), TENSION	
164	A-6736-103-A	ACE BLOCK ASSY					

7-1-5. MECHANISM CHASSIS ASSEMBLY (2)



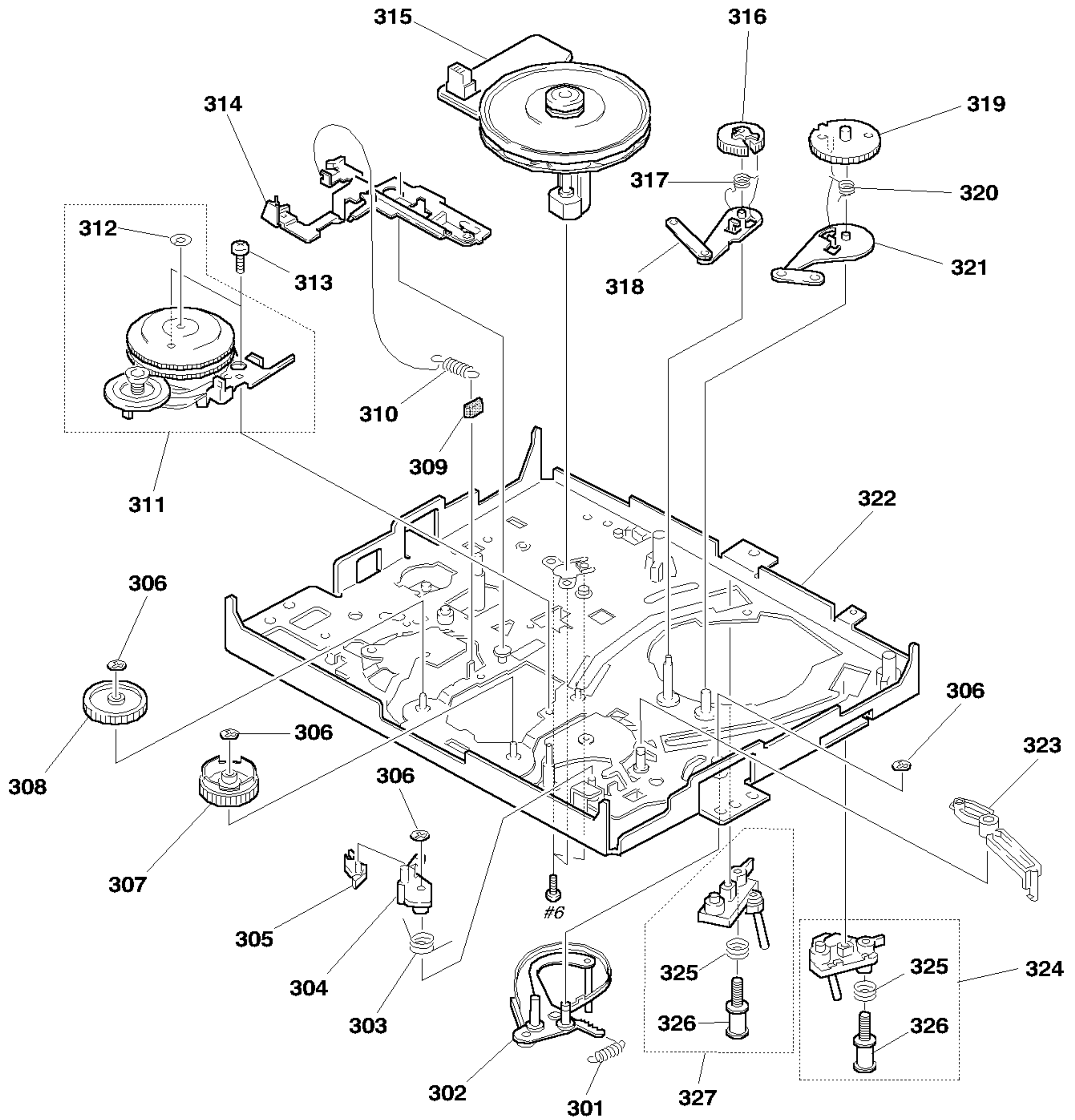
Ref. No.	Part No.	Description	Remark	Ref. No.	Part No.	Description	Remark
201	X-3943-903-1	TABLE, REEL (T) ASSY		211	X-3943-899-8	GROUND ASSY, SHAFT	
202	X-3943-902-1	TABLE, REEL (S) ASSY		212	X-3947-255-1	ROLLER ASSY, HC	
203	3-669-595-00	WASHER (2), STOPPER		213	3-969-629-01	BASE, DRUM	
204	3-958-390-01	SHAFT, PC BOARD		214	3-960-139-01	ARM, NEUTRALITY	
205	3-958-450-01	BRAKE (S), SOFT		215	3-958-535-01	SPRING, TENSION	
206	3-958-443-01	SPRING, STRETCH COIL SPRING		216	3-960-138-01	ARM, PENDULUM COMPULSION	
207	3-958-391-01	PLATE, LIGHT GUIDE, LED		217	3-975-724-01	ARM, HC	
208	X-3945-444-1	BRAKE (T) ASSY, MAIN		218	1-759-373-11	DRUM ASSY (DZH-86A-R) (E820/E870EG)	
209	X-3945-443-1	BRAKE (S) ASSY, MAIN		218	1-759-375-11	DRUM ASSY (DZH-87A-R) (E920)	
210	3-958-517-01	SPRING, TENSIONCOIL					

### 7-1-6. MECHANISM CHASSIS ASSEMBLY (3)



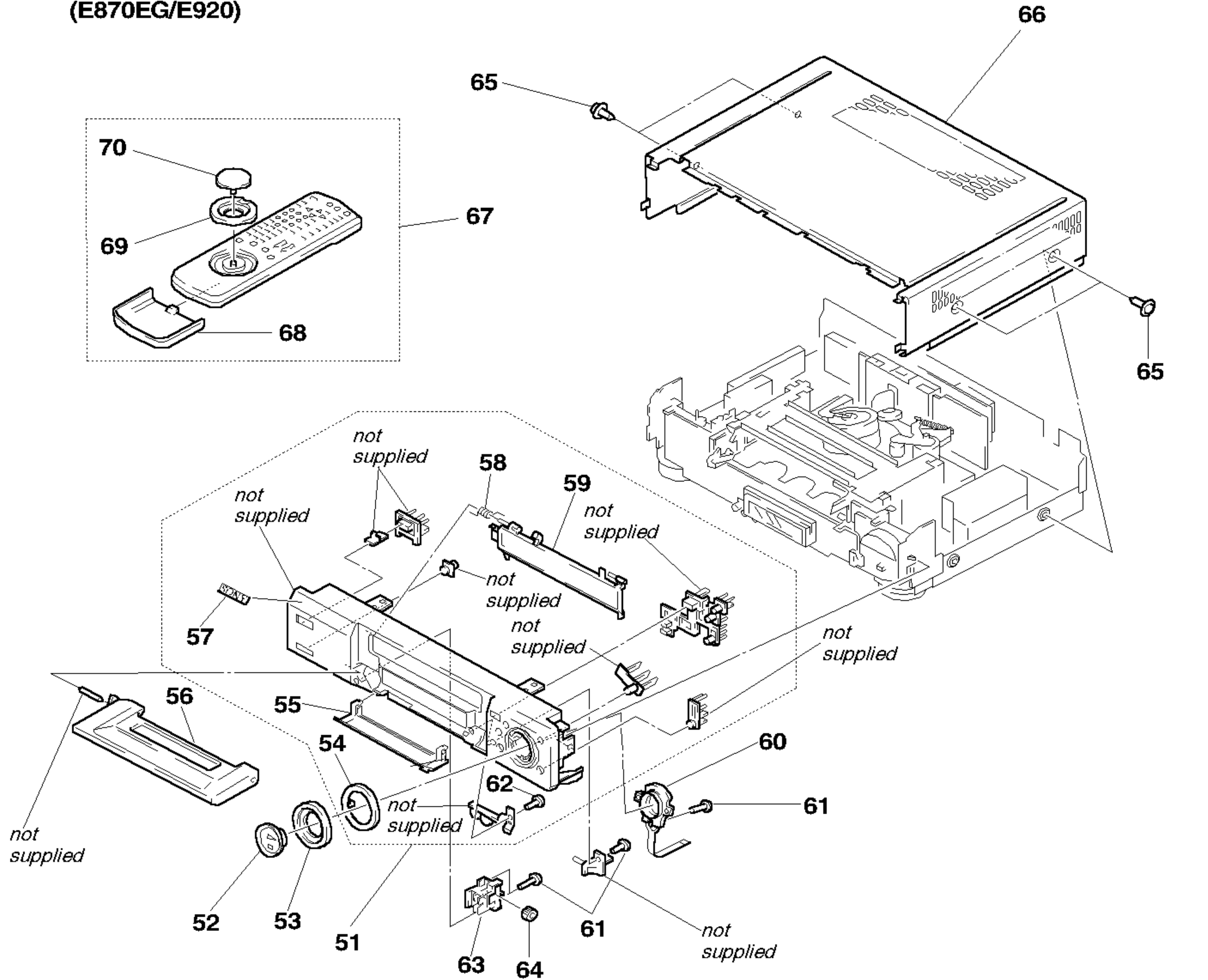
Ref. No.	Part No.	Description	Remark	Ref. No.	Part No.	Description	Remark
251	3-669-595-00	WASHER (2), STOPPER		* 262	X-3943-884-1	CHASSIS ASSY, CAM MOTOR	
252	3-958-161-07	GEAR, CAM		263	3-965-977-03	RETAINER, CAM GEAR	
253	1-762-076-11	SWITCH, ROTARY		264	X-3943-889-1	ARM ASSY, TENSION VEHICLE	
254	3-966-092-01	RING, RETAINING, SLIT WASHER		265	3-958-361-01	BELT, TIMING	
255	3-958-157-02	WHEEL, WORM		266	3-958-448-01	WHEEL, TENSION	
256	3-958-155-01	BEARING, CAM MOTOR		267	X-3943-888-1	BRAKE ASSY, CAP	
257	3-958-160-01	PROPELLOR		268	3-958-445-01	SPRING, TORSION COIL (CAP BRAKE)	
258	3-958-460-01	SPRING, ONE-WAY		269	3-958-156-03	GEAR, FL DRIVING	
259	3-958-159-01	WORM		270	3-958-162-02	GEAR, UPPER/LOWER COMMUNICATION	
260	X-3943-883-1	MOTOR ASSY, CAM		* 271	3-959-763-01	RETAINER	
261	3-959-840-11	RUBBER, JOINT		272	3-958-163-04	SLIDER, MAIN	

**7-1-7. MECHANISM CHASSIS ASSEMBLY (4)**



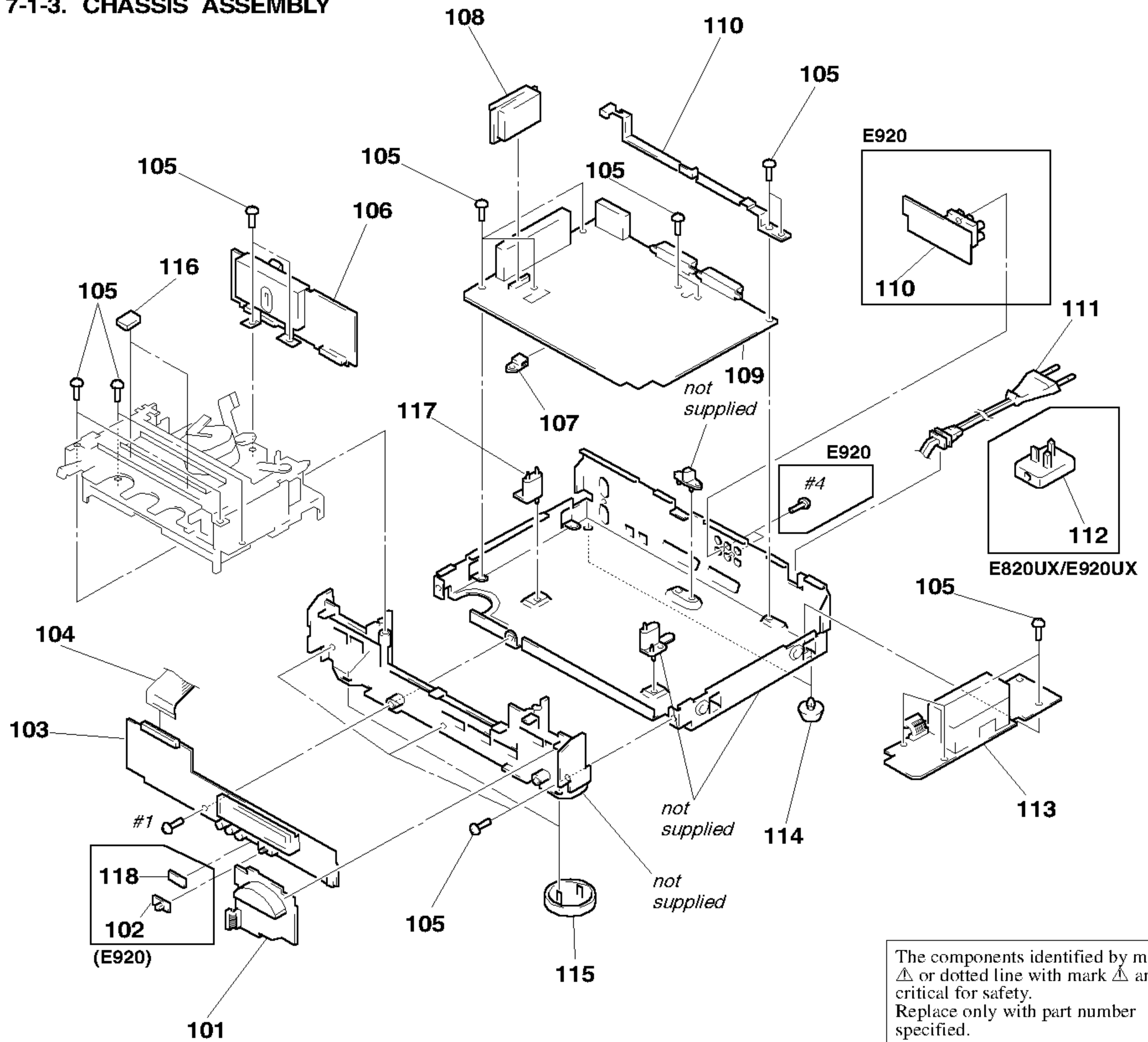
Ref. No.	Part No.	Description	Remark	Ref. No.	Part No.	Description	Remark
301	3-958-492-01	SPRING (TG1), TENSION COIL		315	1-698-409-14	MOTOR, DC (CAPSTAN)	
302	X-3943-886-1	TG1 ASSY		316	3-958-485-02	GEAR (T), LOADING	
303	3-958-534-01	SPRING, TORSION		317	3-960-449-01	SPRING (T), TORSION COIL	
304	3-958-532-01	ARM, S WINDING		318	X-3943-891-3	LEVER (T) ASSY, LOADING	
305	3-958-533-01	CLAW, S WINDING		319	3-958-476-01	GEAR (S), LOADING	
306	3-669-595-00	WASHER (2), STOPPER		320	3-960-448-01	SPRING (S), TORSION COIL	
307	3-962-959-01	GEAR (S-K), IDLER		321	X-3943-890-2	LEVER (S) ASSY, LOADING	
308	3-962-960-01	GEAR (T-K), IDLER		322	X-3945-485-4	CHASSIS ASSY, MECHANICAL	
309	3-959-840-11	RUBBER, JOINT		323	3-958-504-01	ARM, FIXED RELEASE	
310	3-958-529-01	SPRING (MOMENT), TENSION		324	A-6750-324-A	SHUTTLE (S) BLOCK ASSY	
311	A-6739-102-A	RKB BLOCK ASSY		325	3-965-178-01	SPRING	
312	3-966-092-01	RING, RETAINING, SLIT WASHER		326	X-3944-378-1	ROLLER ASSY, GUIDE	
313	3-961-441-01	SCREW (3X8)		327	A-6750-325-A	SHUTTLE (T) BLOCK ASSY	
314	X-3943-897-1	LEVER ASSY, TRIGGER					

**7-1-2. FRONT PANEL AND CABINET ASSEMBLIES  
(E870EG/E920)**



Ref. No.	Part No.	Description	Remark	Ref. No.	Part No.	Description	Remark
51	X-3946-641-1	PANEL ASSY, FRONT (E920VC)		60	1-762-844-31	SWITCH, ROTARY (CLICK SHUTTLE)	
51	X-3946-963-1	PANEL ASSY, FRONT (E920B)		61	3-968-554-01	SCREW (WN1411 D2.5 EJOT K25)	
51	X-3946-965-1	PANEL ASSY, FRONT (E920NP)		62	4-921-277-41	SCREW (B2.6X8), TAPPING, BIND	
51	X-3946-967-1	PANEL ASSY, FRONT (E920UX)		* 63	3-960-076-11	PLATE (LEFT), FULCRUM, DOOR	
51	X-3946-969-1	PANEL ASSY, FRONT (E870EG)		64	3-961-745-01	DAMPER, OIL	
52	3-972-782-11	BUTTON, CENTER (E870EG/E920NP/E920UX/E920VC)		65	3-363-099-01	SCREW (CASE 3 TP2)	
52	3-972-782-41	BUTTON, CENTER (E920B)		* 66	3-972-887-01	CASE (LS), UPPER	
53	3-972-783-11	RING, JOG (E920)		67	1-475-028-11	REMOTE COMMANDER (RMT-V195) (E920NP/E920VC)	
53	3-973-077-11	RING, CHANGE SPEED (E870EG)		67	1-475-028-21	REMOTE COMMANDER (RMT-V195A) (E920UX)	
* 54	3-972-805-01	PLATE (LE), RING ORNAMENTAL		67	1-475-028-31	REMOTE COMMANDER (RMT-V195B) (E920B)	
55	3-966-244-61	DOOR (B), JACK (E920NP/E920UX/E920VC)		67	1-475-029-11	REMOTE COMMANDER (RMT-V196) (E870EG)	
55	3-966-244-91	DOOR (B), JACK (E920B)		68	3-709-126-01	COVER, BATTERY (for RMT-V195, V195A, V195B, V196)	
55	3-975-153-01	DOOR (B), JACK (E870EG)		69	3-972-783-21	RING, JOG (for RMT-V195, V195A, V195B) (E920)	
56	1-475-008-21	SWITCH BLOCK, CONTROL (E920NP/E920UX/E920VC)		69	3-973-077-31	RING, CHANGE SPEED (for RMT-V196) (E870EG)	
56	1-475-008-51	SWITCH BLOCK, CONTROL (E920B)		70	3-972-850-01	BUTTON, FUNCTION (for RMT-V195, V195A, V196) (E870EG/E920NP/E920UX/E920VC)	
56	1-475-008-61	SWITCH BLOCK, CONTROL (E870EG)		70	3-972-850-21	BUTTON, FUNCTION (for RMT-V195B) (E920B)	
57	3-943-995-01	EMBLEM (NO.5), SONY					
58	3-953-432-01	SPRING (GE), FL					
59	3-965-769-21	DOOR, CASSETTE (E870EG/E920NP/E920UX/E920VC)					
59	3-965-769-41	DOOR, CASSETTE (E920B)					

7-1-3. CHASSIS ASSEMBLY



Ref. No.	Part No.	Description	Remark	Ref. No.	Part No.	Description	Remark
* 101	A-6790-241-A	DM-62 BOARD, COMPLETE (E920)		* 109	A-6791-247-A	MA-287 BOARD, COMPLETE (E920UX)	
* 101	A-6790-251-A	DM-62 BOARD, COMPLETE (E820)		* 109	A-6791-248-A	MA-287 BOARD, COMPLETE (E920B)	
* 101	A-6790-262-A	DM-62 BOARD, COMPLETE (E870EG)		* 109	A-6791-250-A	MA-287 BOARD, COMPLETE (E920NP)	
102	3-966-256-21	KNOB (4P), SLIDE (E920)		* 109	A-6791-252-A	MA-287 BOARD, COMPLETE (E820VC)	
* 103	A-6791-245-A	FR-119 BOARD, COMPLETE (E920UX/E920VC)		* 109	A-6791-257-A	MA-287 BOARD, COMPLETE (E820UX)	
* 103	A-6791-249-A	FR-119 BOARD, COMPLETE (E920B)		* 109	A-6791-258-A	MA-287 BOARD, COMPLETE (E820B)	
* 103	A-6791-255-A	FR-119 BOARD, COMPLETE (E820VC/E820UX)		* 109	A-6791-260-A	MA-287 BOARD, COMPLETE (E820NP)	
* 103	A-6791-259-A	FR-119 BOARD, COMPLETE (E820B/E820BZ)		* 109	A-6791-261-A	MA-287 BOARD, COMPLETE (E820BZ)	
* 103	A-6791-264-A	FR-119 BOARD, COMPLETE (E870EG)		* 109	A-6791-263-A	MA-287 BOARD, COMPLETE (E870EG)	
* 103	A-6791-279-A	FR-119 BOARD, COMPLETE (E820NP)		* 110	A-6794-357-A	PP-15 BOARD, COMPLETE (E920)	
* 103	A-6791-280-A	FR-119 BOARD, COMPLETE (E920NP)		Δ 111	1-782-012-11	CORD, POWER	
104	1-777-960-11	CABLE, FLAT (FFM-13) 29P (E820/E870EG)		Δ 112	1-770-019-11	ADAPTOR, CONVERSION PLUG 3P (E820UX/E920UX)	
104	1-777-961-11	CABLE, FLAT (FFM-14) 31P (E920NP)		* 113	A-6791-253-A	PS-385 BOARD, COMPLETE	
105	3-970-608-21	SUMITITE (B3), +BV		114	3-957-819-01	FOOT	
* 106	A-6791-244-A	RP-217 BOARD, COMPLETE (E920)		115	3-966-229-01	INSULATOR (ST)	
* 106	A-6791-254-A	RP-217 BOARD, COMPLETE (E820/E870EG)		116	9-911-841-XX	CUSHION	
107	3-966-237-01	HOLDER (ST), MA		117	3-959-381-12	BASE (L), MD	
108	A-6791-246-A	AL-11 BOARD, COMPLETE (E920)		* 118	A-6794-356-A	JK-152 BOARD, COMPLETE	
* 108	A-6791-256-A	AL-11 BOARD, COMPLETE (E820/E870EG)					
* 109	A-6791-242-A	MA-287 BOARD, COMPLETE (E920VC)					