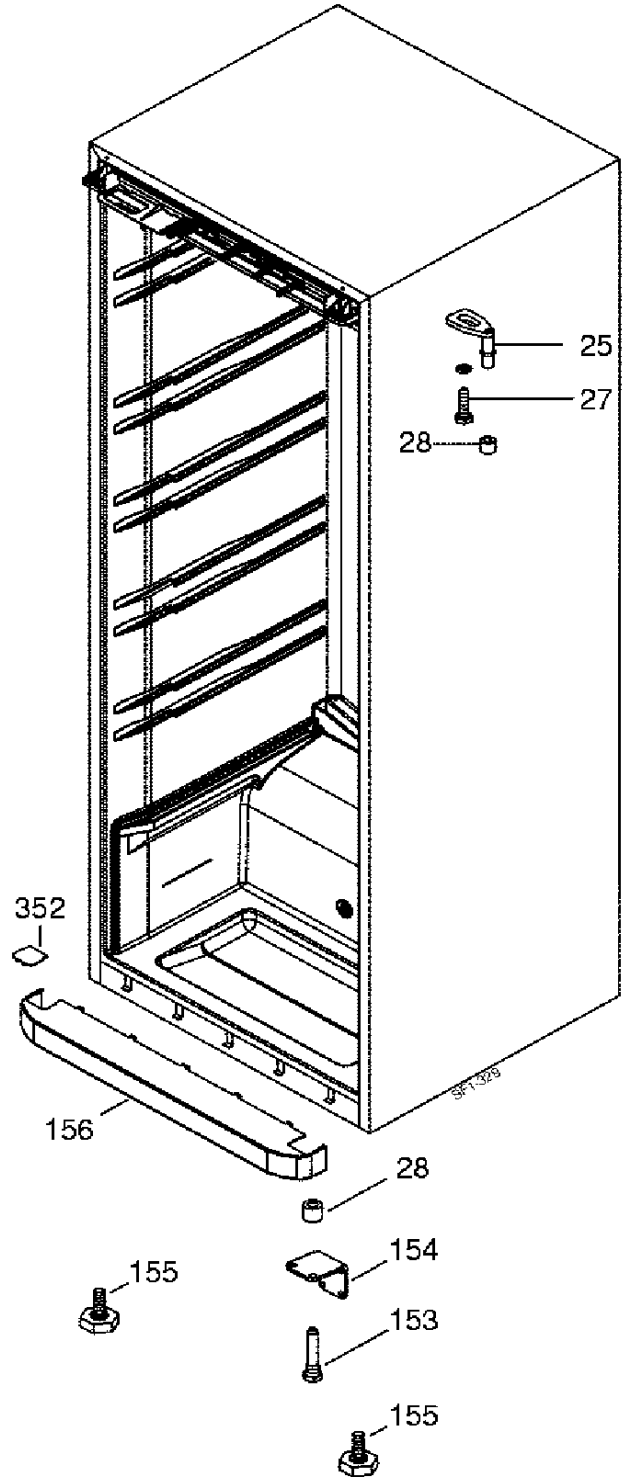
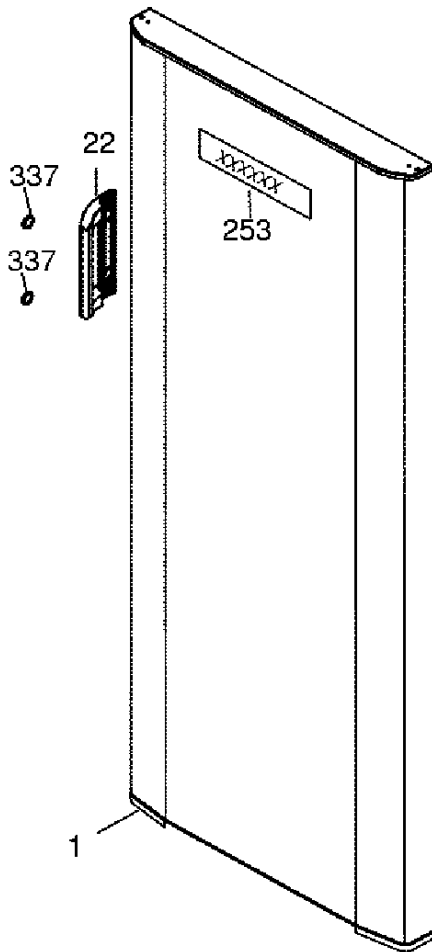
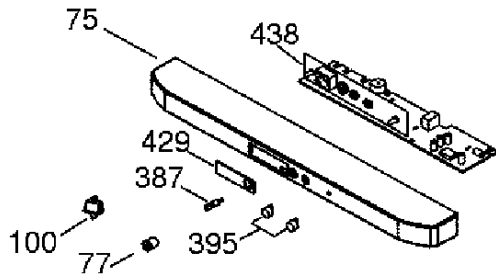


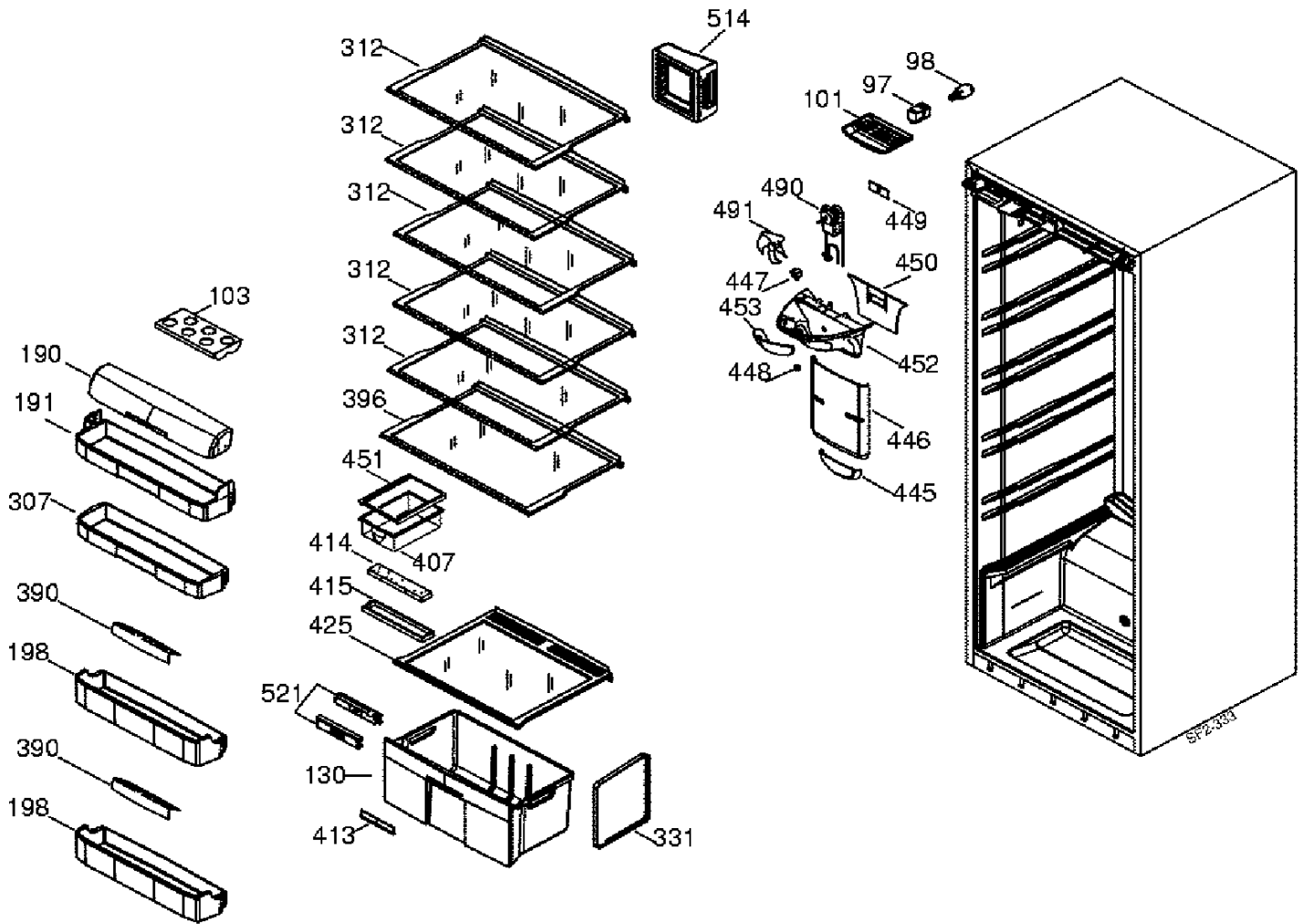
SL3720
SL3720/1
5T45F00V5

Brandt



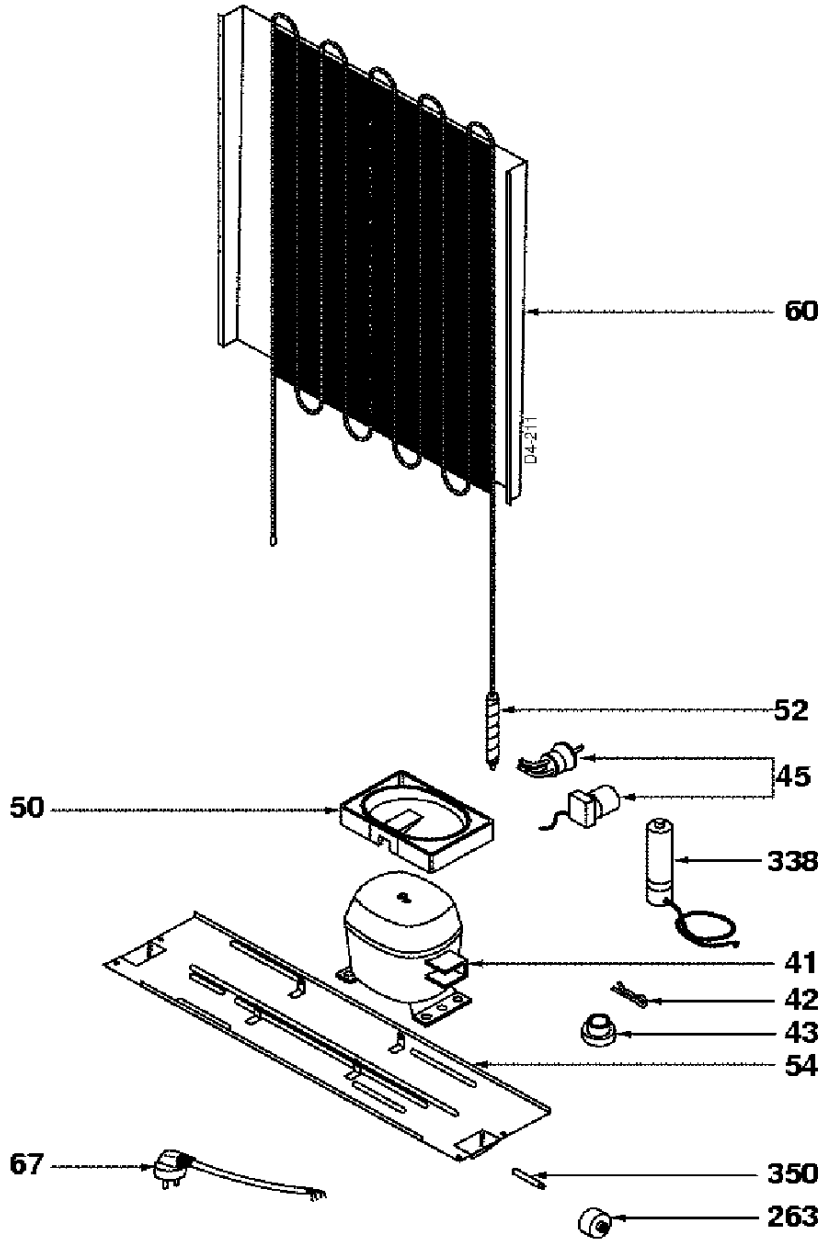
SL3720
SL3720/1
5T45F00V5

Brandt



SL3720
SL3720/1
5T45F00V5

Brandt

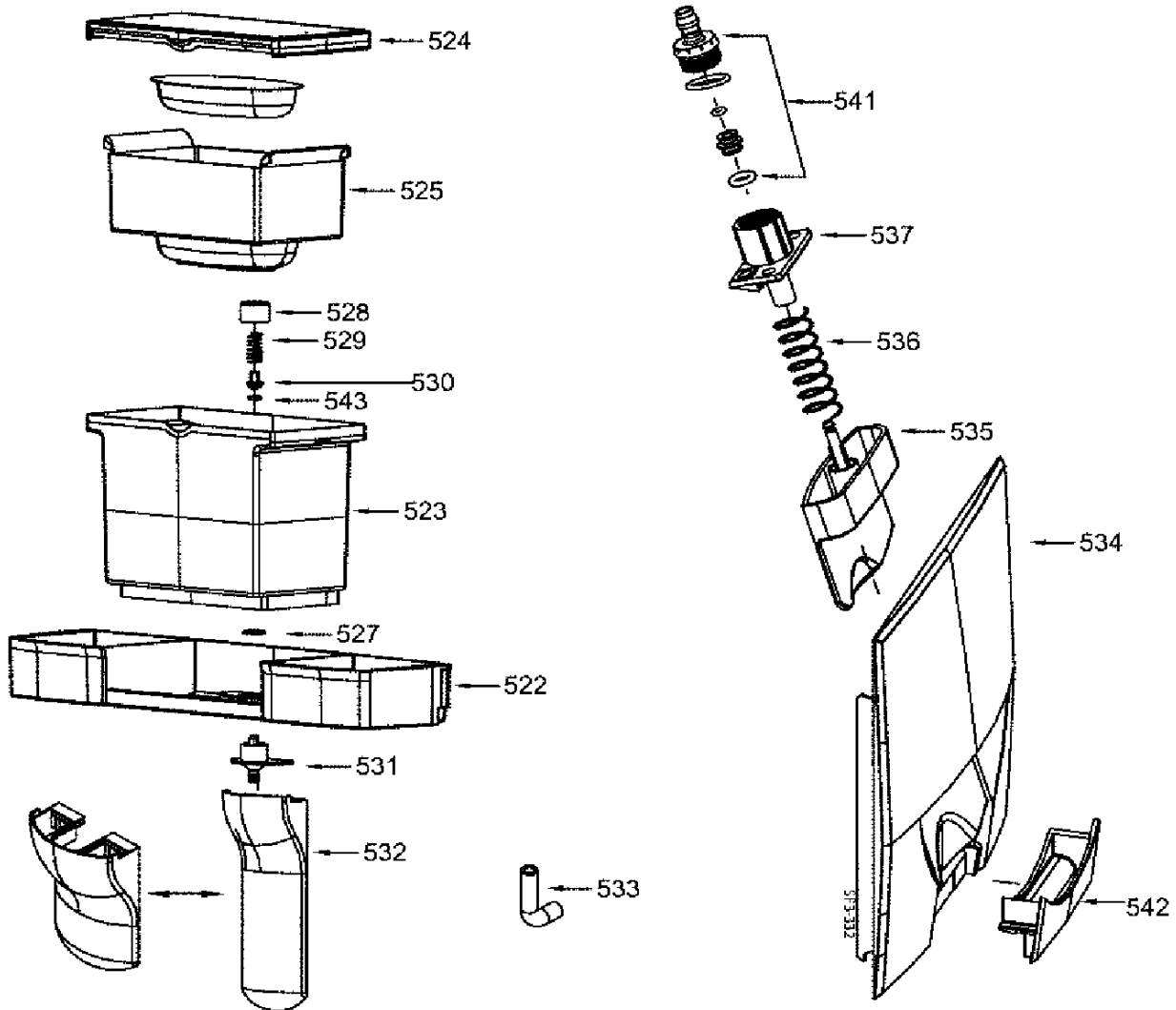


Tav.3900.0014.F

D4-211

SL3720
SL3720/1
5T45F00V5

Brandt



Pos.	Reference	Description
0	48X3913	DOOR PLUG
0	84X0358	INSTRUCTIONS FOR USE
0	84X0359	INSTRUCTIONS FOR USE
0	84X0385	INSTRUCTIONS FOR USE--
0	41X0663	THERMOSTAT COVER
1	46X0765	DOOR--
100	45X1140	SWITCH
101	41X0725	LIGHT DIFFUSER
103	41X1124	EGG RACK
130	41X0781	VEGETABLE COMP'T
153	41X0844	PIVOT, LOWER
154	41X0618	LOWER HINGE
155	45X4116	ADJUSTABLE LEG
156	46X0485	PLINTH--
190	41X0788	DOOR FLAP
191	41X4521	DOOR SHELF
198	41X1326	DOOR BOTTLE SHELF
22	41X1392	HANDLE ASSEMBLY
25	45X2959	PIVOT, UPPER
253	41X9532	PLATE, NAME
263	45X8256	WHEEL
27	43X8215	UPPER HINGE SCREW
28	45X8260	WASHER
307	41X1375	DOOR SHELF
312	41X1382	GLASS SHELF
331	41X0786	PARTITION FOR TANK
337	45X4120	COVER SCREW
338	41X0731	CAPACITOR
350	45X8257	WHEEL PIN
352	46X0491	PLUG--
387	46X0157	KNOB SPINDLE
390	41X0782	BOTTLE GUIDE
390	46X0537	BOTTLE GUIDE--
395	46X0487	BUTTON--Q:3
396	41X1381	GLASS SHELF
407	48X8400	BOX
41	42X0088	COMPRESSOR--HTK55AA
413	41X1380	HANDLE, BASKET
414	45X9157	FILTER
415	45X9148	COVER
42	45X0690	COMPRESOR CLIP
425	41X0777	UPPER PART
429	46X0159	TRANSPARENT WINDOW
43	45X7205	DAMPER
438	46X0093	ELECTRONIC CARD
445	43X2451	BACK
446	43X2499	BACK
447	43X2454	SWITCH
448	43X2455	P-BUTTON, SWITCH
449	41X4651	ATTACHMENT PLATE
45	41X0732	RELAY WHOLE
450	41X4653	PLATE, INSULATING
451	41X0658	SLIDE
452	46X0483	FAN CASING--
453	46X0158	FRONT TRIM
490	41X0122	FAN-MOTOR
491	43X2453	FAN IMPELLER
50	43X8183	EVAPORATION TRAY
514	41X4333	BOX
52	43X7765	DRYER
521	46X0090	FILTER
522	46X0561	DOOR SHELF--
523	46X0562	--
524	46X0563	COVER--
525	46X0567	FILTER SUPPORT--
527	46X0566	SEAL--
528	46X0568	PLUG--
529	46X0565	SPRING--
530	46X0570	PLUG VALVE--
531	46X0564	FLOAT

Pos.	Reference	Description
532	46X0560	BODY--
533	46X0569	PIPE--
534	46X0558	TRIM--
535	46X0557	DISPENSER--
536	46X0556	SPRING--
537	46X0555	SOCKET--
54	45X9386	COMPRESSOR CROSS PIE
541	46X0549	UNION--
542	46X0559	COMPARTMENT--
543	46X0571	SEAL--
60	46X0079	CONDENSER
67	45X0696	CORD, MAINS
75	46X0092	DECORATIVE PEDIMENT
77	46X0763	CONTROL KNOB--
97	45X8240	LAMP SOCKET
98	45X8241	LAMP