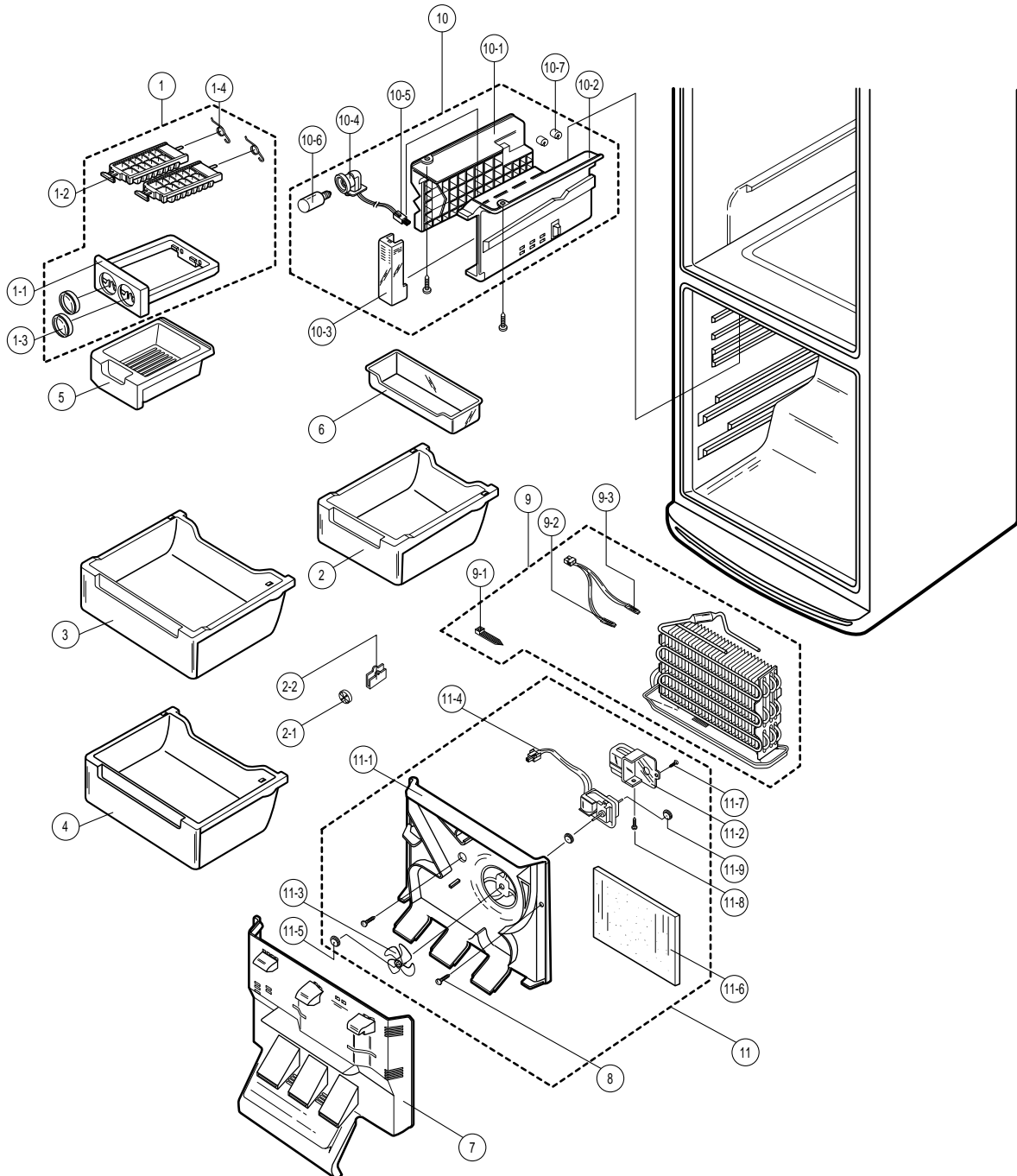


8. Part List

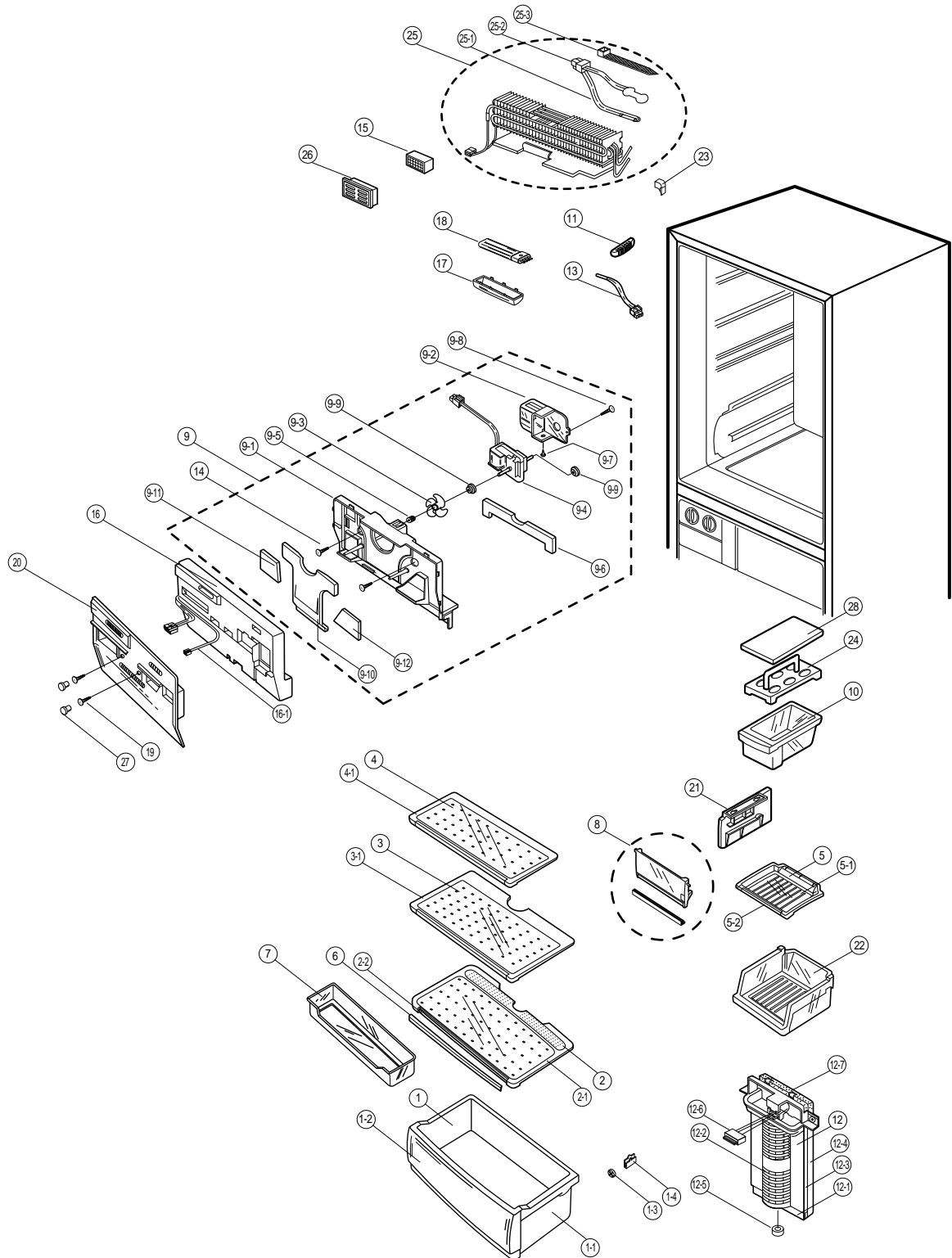
1. Freezer



NO	CODE-NO	ITEM	SPECIFICATION	Q'TY	REMARK
1	DA67-40203D	ASS'Y-TRAY ICE	HIPS	1	
1-1	DA71-20120A	FIXER-TRAY ICE	HIPS	1	
1-2	DA67-40182A	TRAY-ICE	PP	2	
1-3	DA64-40111A	KNOB-TRAY, ICE	HIPS	2	
1-4	DA61-20102A	SPRING	STS 304B WPB	2	
2	DA67-40200C	ASS'Y-TRAY, FREE(UPP)	HIPS	1	
2-1	DA66-10104A	ROLLER	POM	12	
2-2	DA71-20145A	FIXER-ROLLER	NY-66	12	
3	DA67-40201C	ASS'Y-TRAY, FREE(MID)	HIPS	1	
4	DA67-40202C	ASS'Y-TRAY, FREE(LOW)	HIPS	1	
5	DA67-10208A	TRAY-ICE CUBE	ABS	1	
7	DA63-10012A	ASS'Y-COVER EVAP FR(F)	PP(BJ-730)	1	
8	6002-000454	SCREW TAP, TH	TH 2S-4X12 STS	2	
9	DA59-40112C	EVAPORATOR-FRE ASS'Y	220V	1	
	DA59-40112D	EVAPORATOR-FRE ASS'Y	240V	1	
	DA59-40215K	EVAPORATOR-FRE ASS'Y	127V	1	
	DA59-40112E	EVAPORATOR-FRE ASS'Y	110V	1	
9-1	6501-000123	CABLE-TIE	L=140	2	
9-2	DA32-10105G	SENSOR DEF(R)	502AT	1	
9-3	DA47-10148A	ASS'Y-FUSE THERMOS	250V/10A	1	
10	DA61-70181G	ASS'Y-SUPT FRE		1	
10-1	DA61-70114A	SUPT FREE L	HIPS	1	
10-2	DA61-70115A	SUPT FREE R	HIPS	1	
10-3	DA63-10400B	COVER-LAMP F	MIPS	1	
10-4	DA47-40112P	SOCKET-LAMP	24PBT	1	
10-5	DA32-10105A	SENSOR FRE	502AT	1	
10-6	4713-000188	LAMP-FRE	220V/15W	1	
	4713-000213	LAMP-FRE	240V/15W	1	
	4713-000178	LAMP-FRE	110V~130V/15W	1	
10-7	DA63-40105A	GROMMET-RAIL	RUBBER	2	
11	DA63-10013A	ASS'Y-COVER EVAP, RE(F)	220V/50,60HZ	1	
	DA63-10013C	ASS'Y-COVER EVAP, RE(F)	240V/50HZ	1	
	DA63-10013H	ASS'Y-COVER EVAP, RE(F)	127V/60HZ	1	
	DA63-10013F	ASS'Y-COVER EVAP, RE(F)	110V/60HZ	1	
11-1	DA63-10214A	COVER-EVAP RE(F)	PP	1	
11-2	DA63-10364A	COVER-MOTOR FAN	PP	1	
11-3	DA31-20103A	MOTOR-FAN	ABS 90	1	

NO	CODE-NO	ITEM	SPECIFICATION	Q'TY	REMARK
11-4	DA31-10109B	MOTOR FAN	AMRHB-008WTEB	1	
	DA31-10109F	MOTOR FAN	AMRHB-008UVEB	1	
	DA31-10109W	MOTOR FAN	AMRHB-008ZREB	1	
	DA31-10109D	MOTOR FAN	AMRHB-008ZQEB	1	
11-5	DA61-20128D	SPRING-FAN	STS 27WR	1	
11-6		SEAL-COVER EVAP RE(F)	FOAM-LEX ALT3	1	
11-7	6002-000224	SCREW TAP TH	2S-4 X 12 FE FZY	1	
11-8	DA72-60042A	GROMMET-CASE MOTOR	NBR(BLK)	1	
11-9	DA63-40119A	GROMMET-FAN MOTOR	NBR(BLK)	1	

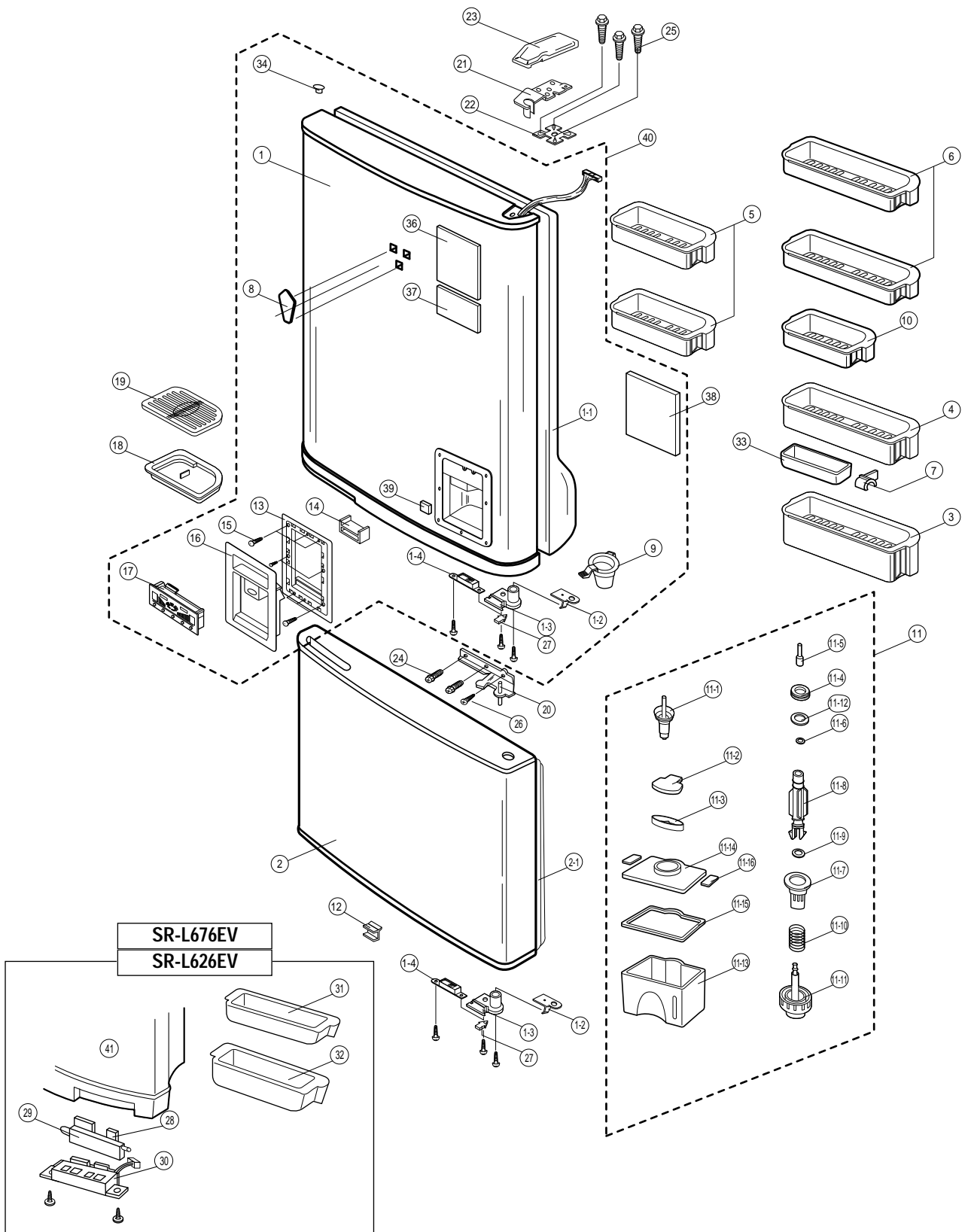
2. Refrigeration room



NO	CODE-NO	DESCRIPTION	SPECIFICATION	Q'TY	REMARK
1	DA67-10230B	ASS'Y-WARE VEGETABLE	ABS	1	
1-1	DA67-10229A	WARE-VEGETABLE	ABS 711 X 409 X 221	1	
1-2	DA63-10359B	COVER-VEGETABLE	GPPS 711 X 211 X 67	1	
1-3	DA66-10104A	ROLLER-FREE	POM	4	
1-4	DA71-20145A	FIXER-ROLLER	NY-66	4	
2	DA67-20169B	ASS'Y-SHELF REF LOW		1	
2-1	DA67-20142B	SHELF-REF LOW	ABS 721 X 404 X 24	1	
2-2	DA64-20116A	TRIM-SHELF LOW	T=0.5	3	
3	DA67-20170B	ASS'Y-SHELF REF MID(A)		1	
3-1	DA67-20143B	SHELF-REF MID(A)	ABS 723 X 400.5 X 24	1	
4	DA67-20171B	ASS'Y-SHELF REF MID(B)		1	
4-1	DA67-20144B	SHELF-REF MID(B)	ABS 723 X 331.5 X 24	1	
5	DA67-20190C	ASS'Y-SHELF REF UPP		1	
5-1	DA67-20140A	SHELF-REF UPP	GPPS 338.5 X 250 X 24	1	
5-2	DA64-20117A	TRIM-SHELF UPP	T=0.5 GOLD	1	
6	DA63-30113A	GASKET-VEG FR	RD-PVC & SOFT-PVC	1	
7	DA67-40194A	POCKET-VEGETABLE	GPPS 679 X 158 X 65	1	
8	DA63-10577C	ASS'Y-COVER CHILLED		1	
9	DA63-10534E	ASS'Y-COVER EVAP RE(R)	220V/50HZ	1	
	DA63-10534F	ASS'Y-COVER EVAP RE(R)	240V/50HZ	1	
	DA63-10534R	ASS'Y-COVER EVAP RE(R)	127V/60HZ	1	
	DA63-10534G	ASS'Y-COVER EVAP RE(R)	110V/60HZ	1	
9-1		COVER-EVAP RE(R)	PP 669 X 239 X 105	1	
9-2	DA63-10364A	COVER-MOTOR FAN	PP 75.5 X 95 X 47	1	
9-3	DA31-20103A	FAN	ABS P190 X 27	1	
9-4	DA31-10109B	MOTOR FAN	220V/50HZ	1	
	DA31-10109F	MOTOR FAN	240V/50HZ	1	
	DA31-10109W	MOTOR FAN	127V/60HZ	1	
	DA31-10109D	MOTOR FAN	110V/60HZ	1	
9-5	DA61-20128D	SPRING-FAN	STS 27WR	1	
9-6	DA72-60160A	SEAL-COVER EVAP RE(R)	FOAM-LEX(AL) B	1	
9-7	DA72-60042A	GROMMET-CASE MOTOR	NBR(BLK)	1	
9-8	6002-000224	SCREW-TAP TH	2S-FX12 FE FZY	1	
9-9	DA63-40119A	GROMMET-FAN MOTOR	NBR	2	
9-10	DA72-60171A	SPACER-COVER B	FOAM-PS	1	
9-11	DA72-60170A	SEAL-COVER EVAP RE(L)	FOAM-LEX T=3	1	
9-12	SPPS	SEAL-COVER EVAP RE(R)		1	
10	DA67-10144A	CASE-EGG		1	

NO	CODE-NO	DESCRIPTION	SPECIFICATION	Q'TY	REMARK
11	DA63-10467A	COVER-SENSOR REF	HIPS	2	
12	DA74-20130D	ASS'Y-COVER DUCT REF	220V~240V	1	
	DA74-20130F	ASS'Y-COVER DUCT REF	110V~127V	1	
12-1	DA63-10215A	COVER-DUCT REF		1	
12-2	DA31-20003A	BLADE-AIR	HIPS 477 X 232 X 54	1	
12-3	DA72-40178A	SPACER-COVER DUCT	FOAM-PS	1	
12-4	DA72-60159A	SEAL-DUCT RE	FOAM-PS	1	
12-5	DA60-40104B	WASHER	HIPS 4 X T1.0	1	
12-6	DA31-10107D	ASS'Y-GEARD MOTOR	M2 LC 18AR 02	1	
	DA31-10107E	ASS'Y-GEARD MOTOR	M2 BC 18AR 02	1	
12-7	DA72-60161C	SEAL-DUCT, AIR	EDPM T=5	1	
13	DA32-10105B	SENSOR-R	502AT	1	
14	6002-000454	SCREW	TH T2-4 X 12 STS	2	
15	DA02-90106B	CATALYST	T15 X W40 X L70	2	
16	DA72-40010C	ASS'Y-SPACER COVER EVAP R	FOAM-PS	1	
16-1	DA39-20122A	WIRE-GEARD MOTOR		1	
17	DA63-10474A	COVER-LAMP R ASS'Y	ABS+PMMA	1	
18	4713-000175	CFL-LAMP	11W OSRAM	1	
19	6002-000454	SCREW	TH T2-4 X 12 STS	1	
20	DA63-10220	COVER-EVAP REF FR	HIPS 671 X 275 X 115	2	
21	DA61-70119A	SUPPORT-CHILLED	GPPS	1	
22	DA67-40141A	TRAY-CHILLED	GPPS	1	
23	DA72-60020A	SEAL-ABSORBER SOUND	T3 X 300 X 40 PAM	1	
24	DA67-40169A	TRAY-EGG	GPPS	1	
25	DA59-40111C	EVAPORATOR REF ASS'Y	220V	1	
	DA59-40111D	EVAPORATOR REF ASS'Y	240V	1	
	DA59-40238E	EVAPORATOR REF ASS'Y	127V	1	
	DA59-40111E	EVAPORATOR REF ASS'Y	110V	1	
25-1	DA47-10148B	ASS'Y-THERMOS FUSE	250V/10A	1	
25-2	DA32-10105G	SENSOR-DEF R	125, 250V, 10.5A	1	
25-3	6501-000123	CABLE-TIE	NY-66 L=140	1	
26	DA63-10461A	CAP-PURIFIER	ABS	1	
27	DA67-30266D	CAP-SCREW	PP SC-93437R	2	
28	DA63-10363A	COVER-EGG	GPPS	1	

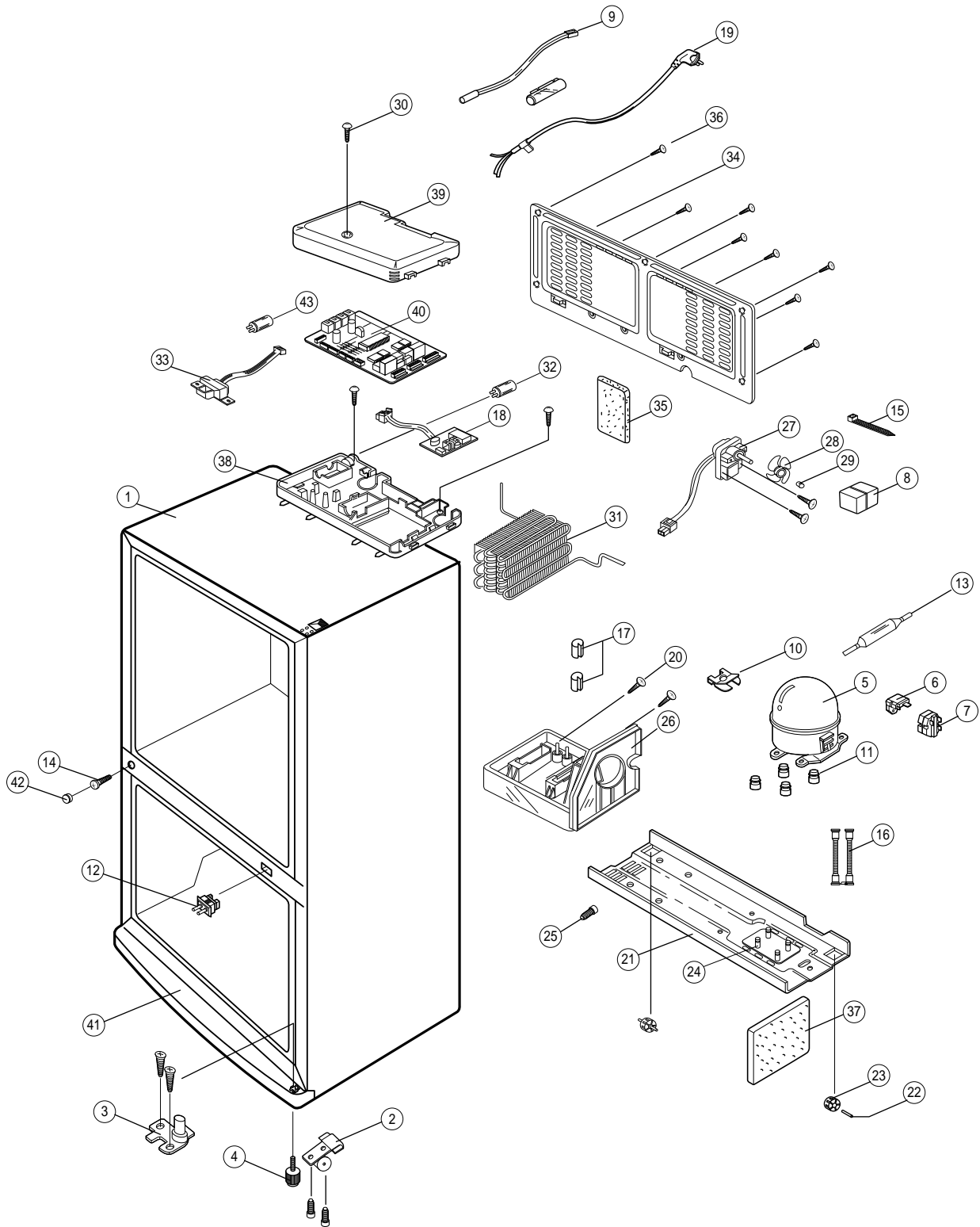
3. Door parts



NO	CODE-NO	DESCRIPTION	SPECIFICATION	Q'TY	REMARK
1		ASS'Y-DOOR FOAM REF	SR-L628EV/L678EV	1	
1-1	DA63-30178A	GASKET-DOOR REF		1	
1-2	DA71-40135A	STOPPER-MID	STS 304 T2	2	
1-3	DA63-40118A	GROMMET-HINGE MID	POM	2	
1-4	DA66-90111A	ASS'Y-AUTO CLOSE	POM	2	
2		ASS'Y-DOOR FRE		1	A/S PART
2-1	DA63-30178B	GASKET-FREE		1	
3	DA63-20001A	GUARD-REF LOW ASS'Y		1	
4	DA63-20175A	GUARD-REF MID R	GPPS	1	
5	DA63-20185A	GUARD-REF UPP L	GPPS	2	
6	DA63-20150A	GUARD-REF UPP R	GPPS	2	
7	DA71-70108A	GUIDE-BOTTLE	PE	2	
8	DA64-50113B	ASS'Y-MASCOT	GOLD	1	
9	DA71-20155A	FIXER-CASE ASS'Y	POMPOUNT M-203	1	
10	DA63-20171A	GUARD-REF MID L	GPPS	1	
11	DA74-90107A	ASS'Y-WATER DISPENSER	PC/BIO SENSOR	1	
11-1	DA74-90001A	ASS'Y-COCK	LD-PE	1	
11-2	DA67-30216A	CAP-COVER TANK	ABS	1	
11-3	DA29-10001A	FILTER-WATER	PE	1	
11-4	DA63-30003B	PACKING-BOTTLE B	SILICONE(TSE-221)	1	
11-5	DA67-30208A	CAP-AIR DRAIN	ABS	1	
11-6	DA60-90103A	O-RING A	SILICONE(TSE-221)	1	
11-7	DA67-10163A	CASE-DISPENSER C	PC	1	
11-8	DA71-70124A	GUIDE-PUSH	PC	1	
11-9	DA60-90103B	O-RING B	SILICONE(TSE-221)	1	
11-10	DA61-20102A	SPRING A	STS 304 WPB	1	
11-11	DA71-70123A	GUIDE-PIN	PC	1	
11-12		PACKING-BOTTLE C	SILICONE(TSE-221)	1	
11-13	DA74-90118A	TANK-WATER	ABS	1	
11-14	DA63-10401A	COVER-TANK	ABS	1	
11-15	DA63-30139A	GASKET-COVER TANK	SILICONE(TSE-221)	1	
11-16	DA65-20004A	CLAMP-TANK	ABS	2	
12		SUPT-GASKET B	ABS	2	
13	DA64-20121A	TRIM-DISPENSER ASS'Y	ABS(MP-960)	1	
14	DA63-30002A	PACKING TRAY	SILICONE(TSE-221)	1	
15	6002-000454	SCREW TH	TH 4 X 10 STS	8	

NO	CODE-NO	DESCRIPTION	SPECIFICATION	Q'TY	REMARK
16	DA63-10472C	COVER-DISPENSER ASS'Y	ABS	1	
17	DA41-20101B	ASS'Y-PCB DISPLAY		1	
18	DA67-40167B	TRAY-WATER	ABS	1	
19	DA64-20104A	TRIM-TRAY	ABS(MP-0160)	1	
20	DA61-10153A	ASS'Y-HINGE MID		1	
21	DA61-10151A	HINGE-UPP	SHP1 T3.2	1	
22	DA63-50138A	SHIM-HINGE UPP	RD-PVC T1	1	
23	DA63-10399A	CAP-HINGE UPP	ABS	1	
24	DA60-10123A	SCREW-TAP TITE	TAP TITE M6 X 24	1	
25	DA60-10123B	SCREW-TAP TITE	TAP TITE M6 X 16	2	
26	6002-000458	SCREW-TH	FH1 4 X 16 STS	4	
27	DA71-10272A	REINF-HINGE, REF	SHP1 T3	1	
33	DA63-20188A	GUARD-VARIETY, A	GPPS	2	
34	DA63-10504B	CAP-AIR	ABS	1	
36		LABEL-WORLD BEST	PVC	2	
37		LABEL-NON CFC, A	WHT21	1	
38		LABEL-USAGE, DISP	PVC	1	
39		LABEL-LOCK	PVC	1	
40		ASS'Y-DOOR, REF	A/S PART	1	
41	DA60-40104D	WASHER	ID11.2	1	
42	DA60-40104E	WASHER	ID13.0	1	
SR-L676EV, SR-L626EV					
1		ASS'Y-DOOR FOAM REF	SR-L626EV/L676EV	1	
1-1	DA63-30178A	GASKET-DOOE REF		1	
28	DA41-20102C	PCB-PANEL ASS'Y	SR-L626EV/L676EV	1	
29	DA63-10366A	COVER-PCB HANDLE	SR-L626EV/L676EV	1	
30	DA61-60101C	SLIDER ASS'Y	SR-L626EV/L676EV	1	
31	DA63-20152A	GUARD-REF MID	GPPS	1	
32	DA63-20149A	GUARD REF LOW ASS'Y	GPPS	1	
35	DA63-20189A	GUARD-VARIETY, B	GPPS	1	
41		ASS'Y-DOOR REF	A/S PART	1	

4. Cabinet parts & unit



NO	CODE-NO	ITEM	SPECIFICATION	Q'TY	REMARK
1		ASS'Y-CABI FOAM	SRG-L678EV	1	
		ASS'Y-CABI FOAM	SRG-L676EV	1	
2	DA61-40110A	ASS'Y-MOVING CASTER		2	
3	DA61-10143A	HINGE-LOW	SHPI T3.2	1	
4	DA61-30103A	LEG-FRONT	P.P	1	
5	SK190Q-L2U	COMPRESSOR	240V/50HZ SR-L676(8)EV	1	
	SK190H-L2U	COMPRESSOR	220V/50, 60HZ SR-L626(8)EV	1	
	SK182Q-L2U	COMPRESSOR	240V/50HZ SR-L626(8)EV	1	
	SK182H-L2U	COMPRESSOR	220V/50, 60HZ SR-L626(8)EV	1	
	SK182P-L2W	COMPRESSOR	127V/60HZ SR-L626(8)/676(8)EV	1	
	SK182E-L2W	COMPRESSOR	110V/60HZ SR-L626(8)/676(8)EV	1	
6	DA34-10003W	O/L-PROTECTOR	4TM314RHBYY-53	1	
	DA34-10003N	O/L-PROTECTOR	4TM308PHBYY-53	1	
	DA34-10003G	O/L-PROTECTOR	4TM232SHBYY-53	1	
	DA34-10003P	O/L-PROTECTOR	4TM444NHBYY-53	1	
	DA34-10003E	O/L-PROTECTOR	4TM445SHBYY-53	1	
7	DA35-10003L	PTC-RELAY	PTHAS-T220M350D	1	
	DA35-10002N	PTC-RELAY	PTHAS-T330M385D	1	
	DA35-10003H	PTC-RELAY	PTHAS-T100M200B	1	
8	DA63-10477A	COVER-RELAY	NORYL T2 BLK HOOK	1	
9	DA32-10105F	SENSOR-EXIT		4	
10	DA65-20101A	CLAMP-COMP	STC5	4	
11	DA63-40165A	GROMMET-COMP	NBR	1	
12	DA34-10122A	SWITCH-DOOR	250V	1	
13	DA73-30102A	DRYER	L140	1	
14	DA60-10124A	SCREW-TAP TITE	M4	1	
15	6501-000123	CABLE-TIE	NY-66	1	
16	DA74-30131A	HOSE-DRAIN SUB	HDPE	2	
17	DA63-40171B	GROMMET-DIS. PIPE	NBR	4	
18	DA41-20002A	ASS'Y-PCB INVERTER	220V/50HZ	1	
	DA41-20147A	ASS'Y-PCB INVERTER	240V/50HZ	1	
	DA41-20160A	ASS'Y-PCB INVERTER	127V/60HZ	1	
	DA41-20148A	ASS'Y-PCB INVERTER	110V/60HZ	1	
19		POWER-CORD AC	OPTION	1	
20	DA60-10124A	SCREW-TAP TITE	M4 X 12	2	
21	DA71-60119A	BASE-COMP	SBHG1	1	
22	DA60-90101A	RIVET-CASTER	MSWR 18A	2	
23	DA61-40101A	CASTER-REAR	NY-66	2	
24	DA66-20112A	SHAFT-COMP	SUM 24	4	
25	DA60-10107A	SCREW-EARTH	BSBN PT M4 X 10	1	
26	DA67-40204A	ASS'Y-TRAY DRAIN WATER		1	

NO	CODE-NO	DESCRIPTION	SPECIFICATION	Q'TY	REMARK
27	DA31-10110F	CIRCUIT-MOTOR	IS3208-SCF7A 220/50	1	
	DA31-10110H	CIRCUIT-MOTOR	IS3208-SCL5A 240/50	1	
	DA31-10110L	CIRCUIT-MOTOR	IS3208-SCO6A 127V/60HZ	1	
	DA31-10110G	CIRCUIT-MOTOR	IS3208-SCH6A 110/60	1	
28	DA31-20101A	FAN	ABS	2	
29	DA61-20128D	SPRING-FAN	STS 27	1	
30	6002-000215	SCREW	TH1 4 X 16	1	
31	DA73-10301A	ASS'Y-SUB COND	SR-L49, L52	1	
32	2501-000401	CAPACITOR	5 μ F/350VAC	1	
	2401-000511	CAPACITOR	12 μ F/250VAC	1	
	2501-000275	CAPACITOR	125 μ F/125VAC	1	
33	DA26-30110C	DC-TRANS	220V/50, 60HZ	1	
	DA26-30110A	DC-TRANS	240V/50HZ	1	
	DA26-30112B	DC-TRANS	127V/60HZ	1	
	DA26-30112A	DC-TRANS	110V/60HZ	1	
34	DA63-10211A	COVER-COMP	SECC(POM) T0.45	1	
35	DA72-60020A	SEAL-ABSORB	PAM T10	1	
36	6002-000215	SCREW	1.4 X 12 FE FZY	1	
37	DA72-60020A	SEAL-ABSORB R	PAM T10	1	
38	DA67-10105A	CASE-PCB PANEL	P.P	1	
39	DA63-10001B	COVER-PCB PANEL	P.P	1	
40	DA41-20105B	ASS'Y-MAIN PCB	T1.6 X W136 X L197	1	
41	DA63-10262A	COVER-LEG FR	P.P	1	
42	DA67-30218G	CAP-SCREW	P.P	1	