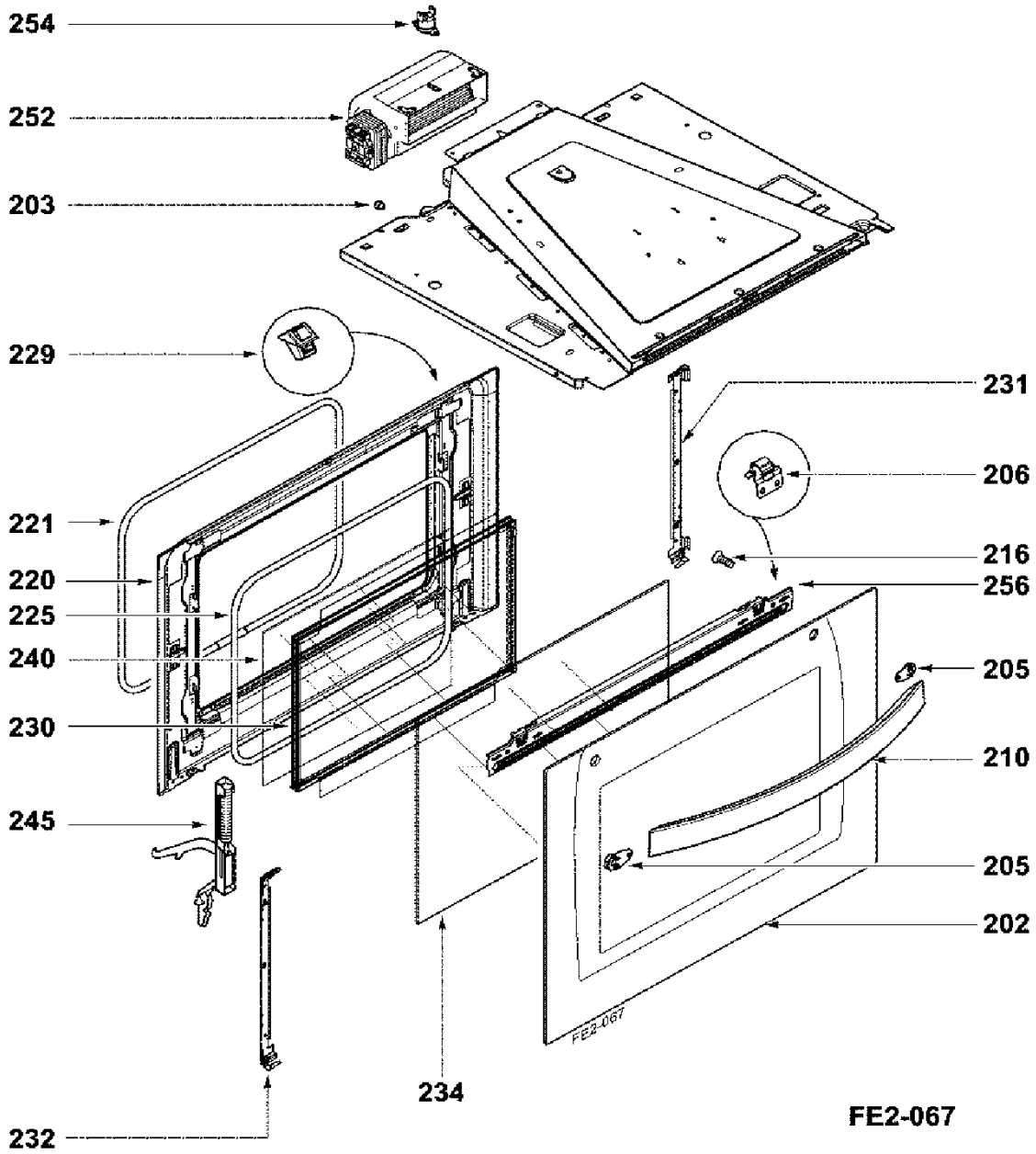
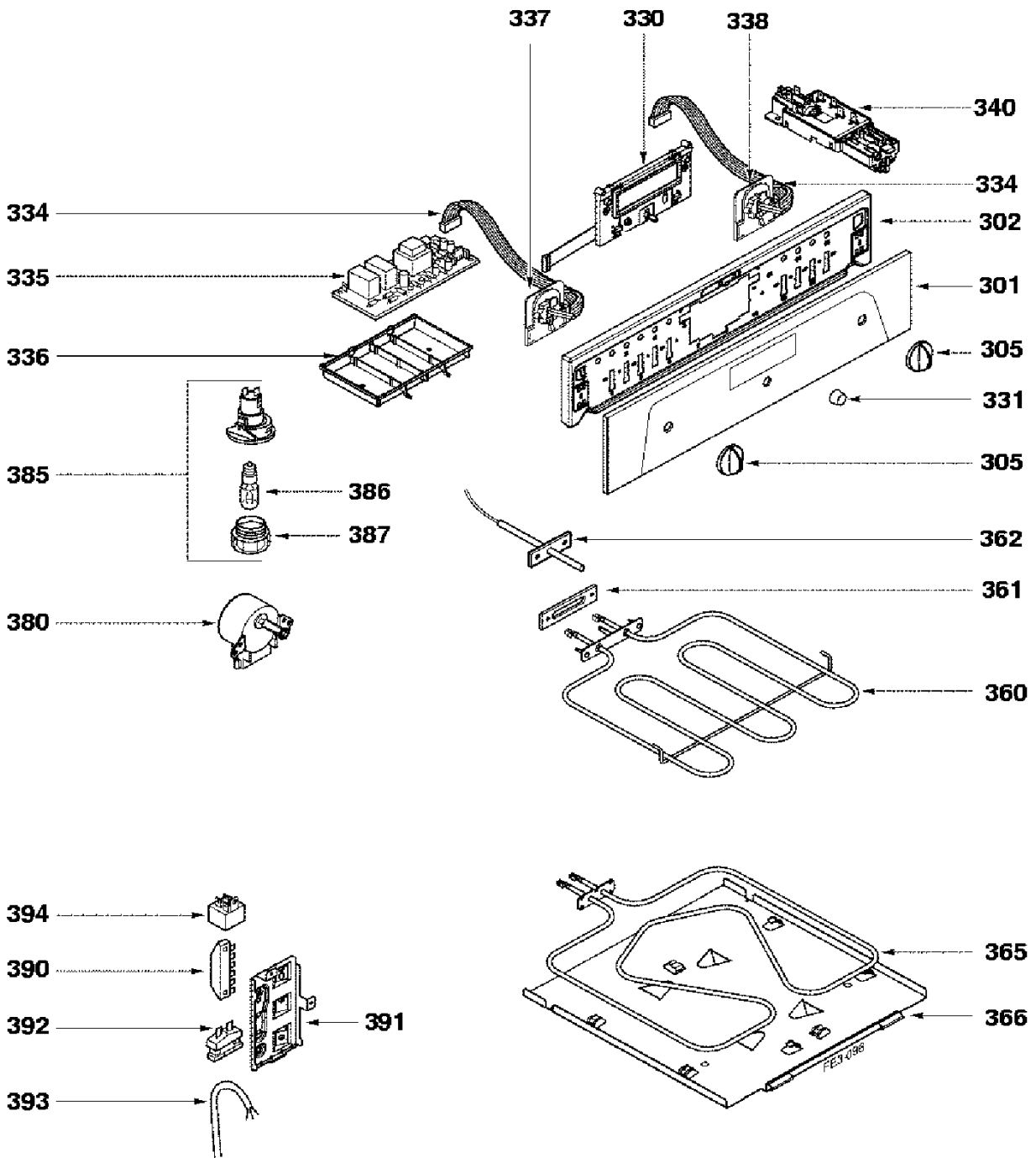


FE1-067

SFP410WF1  
SFP410WF12  
EA1NST111

*Sauter*





FE3-096