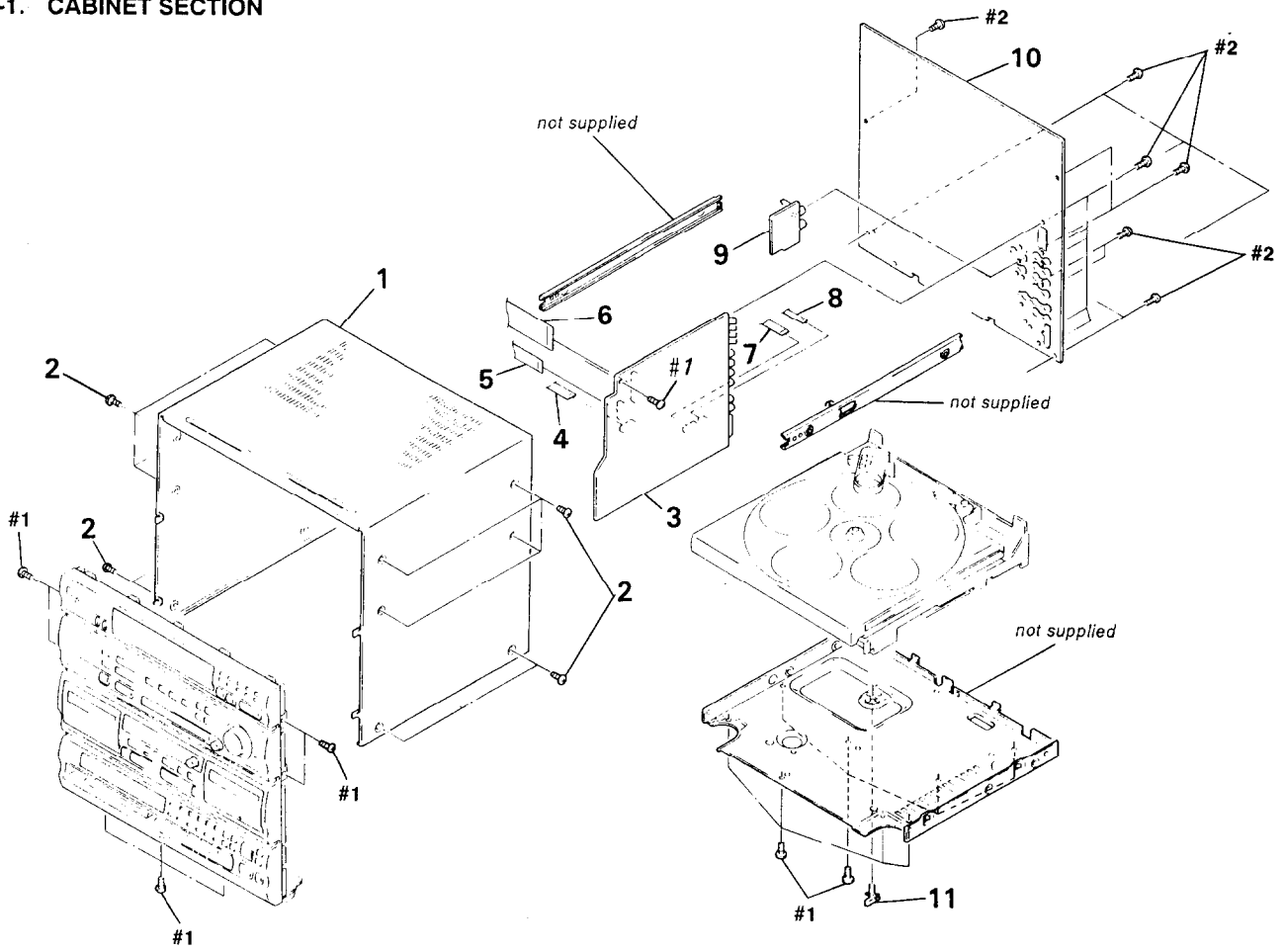
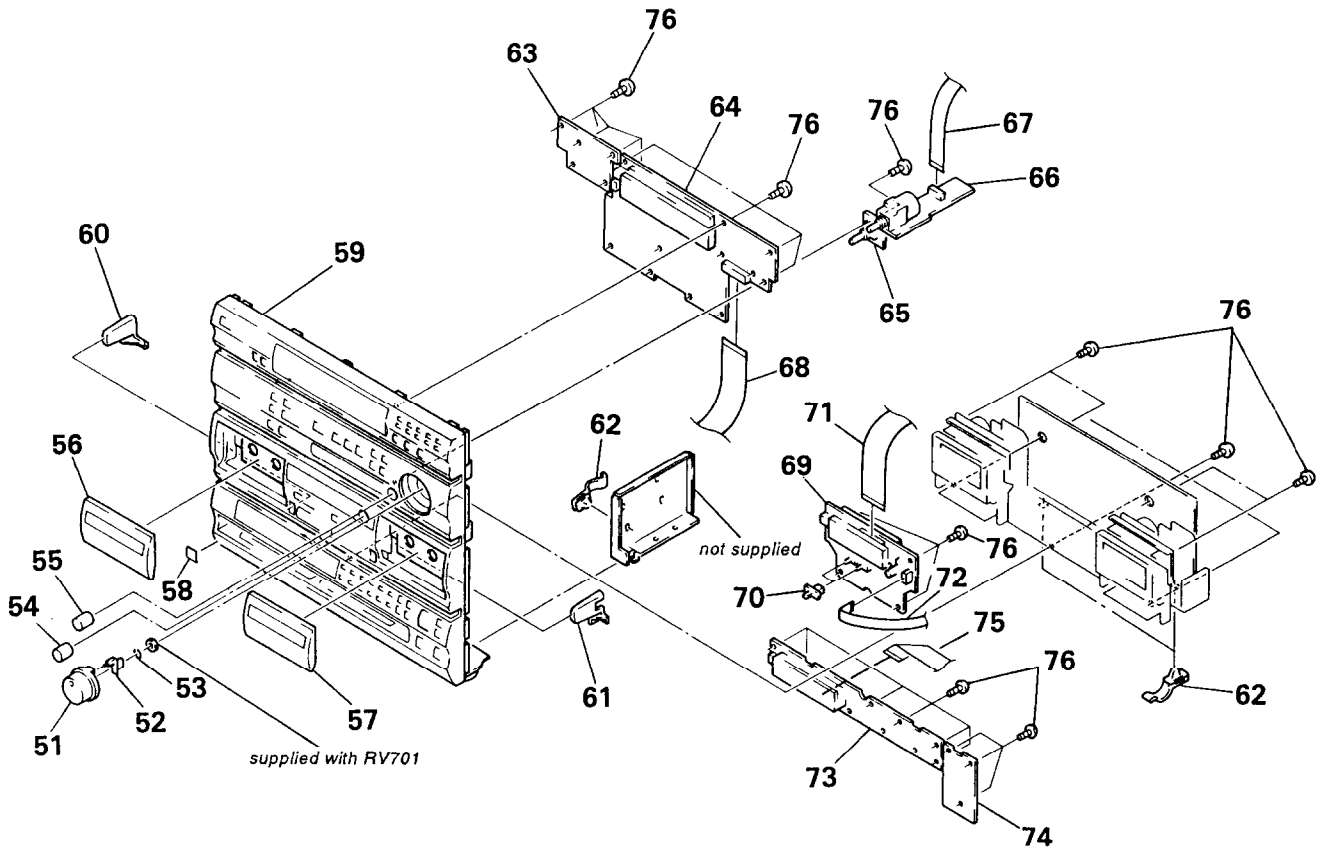


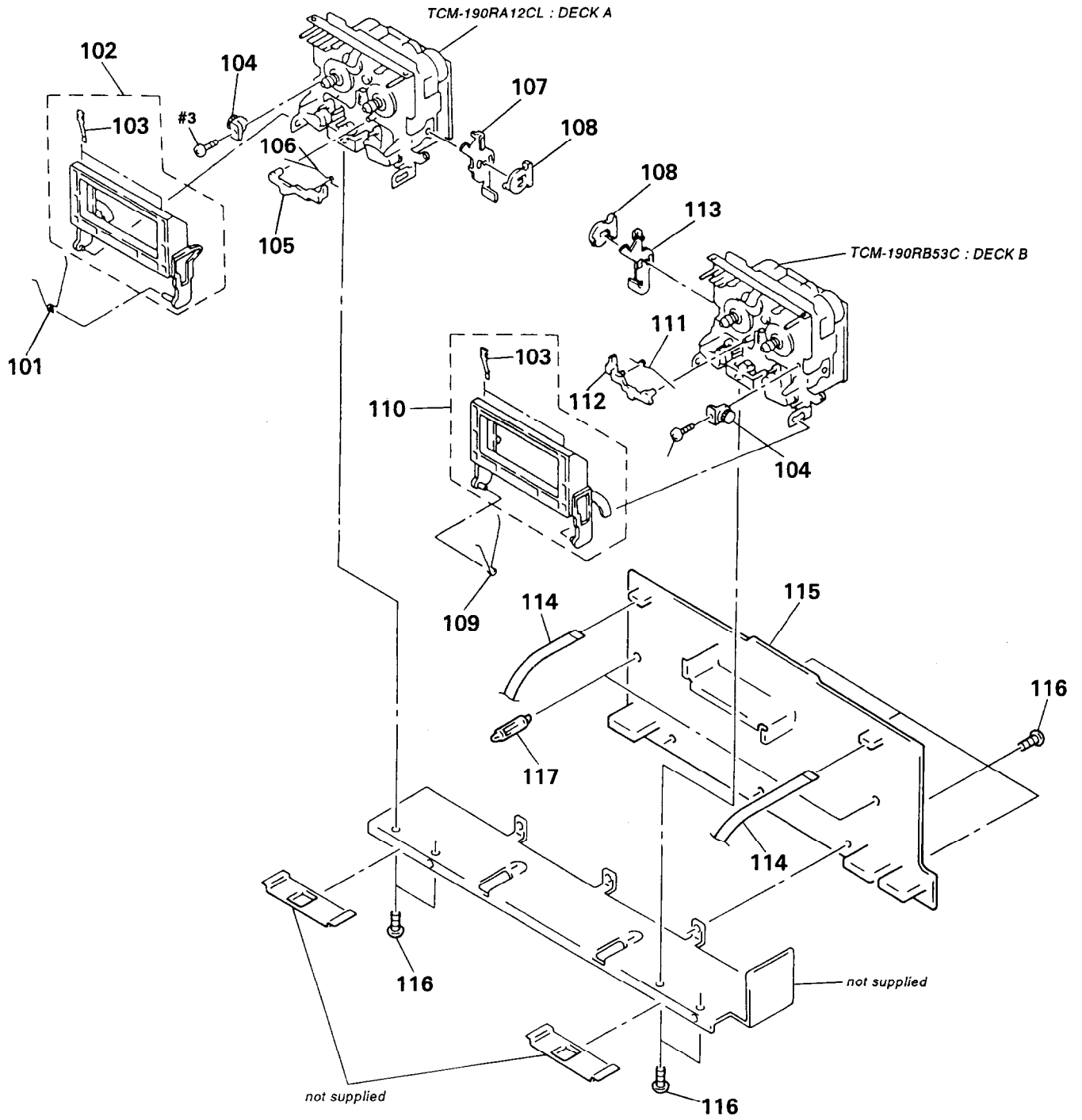
6-1. CABINET SECTION



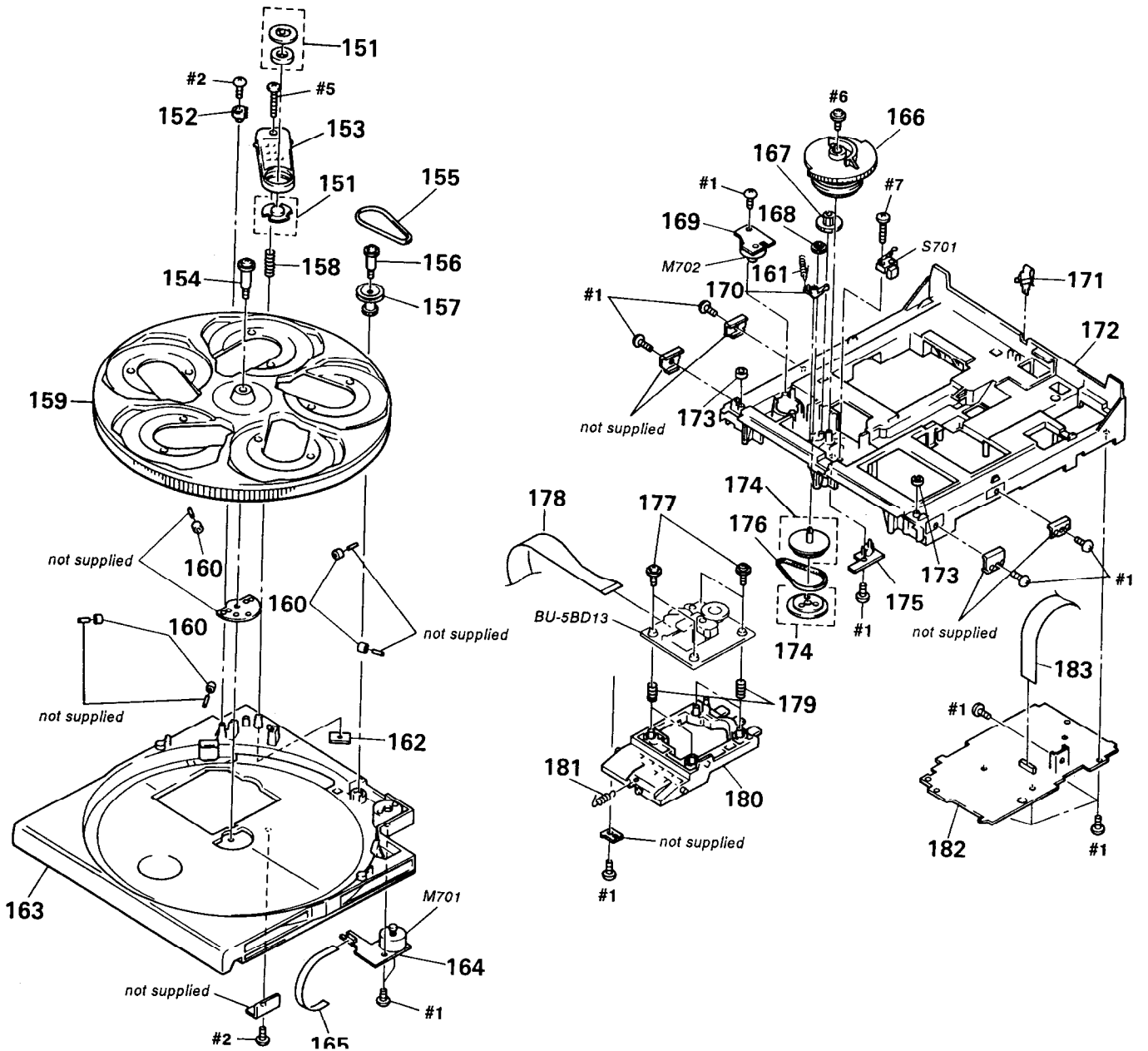
6-2. FRONT PANEL SECTION



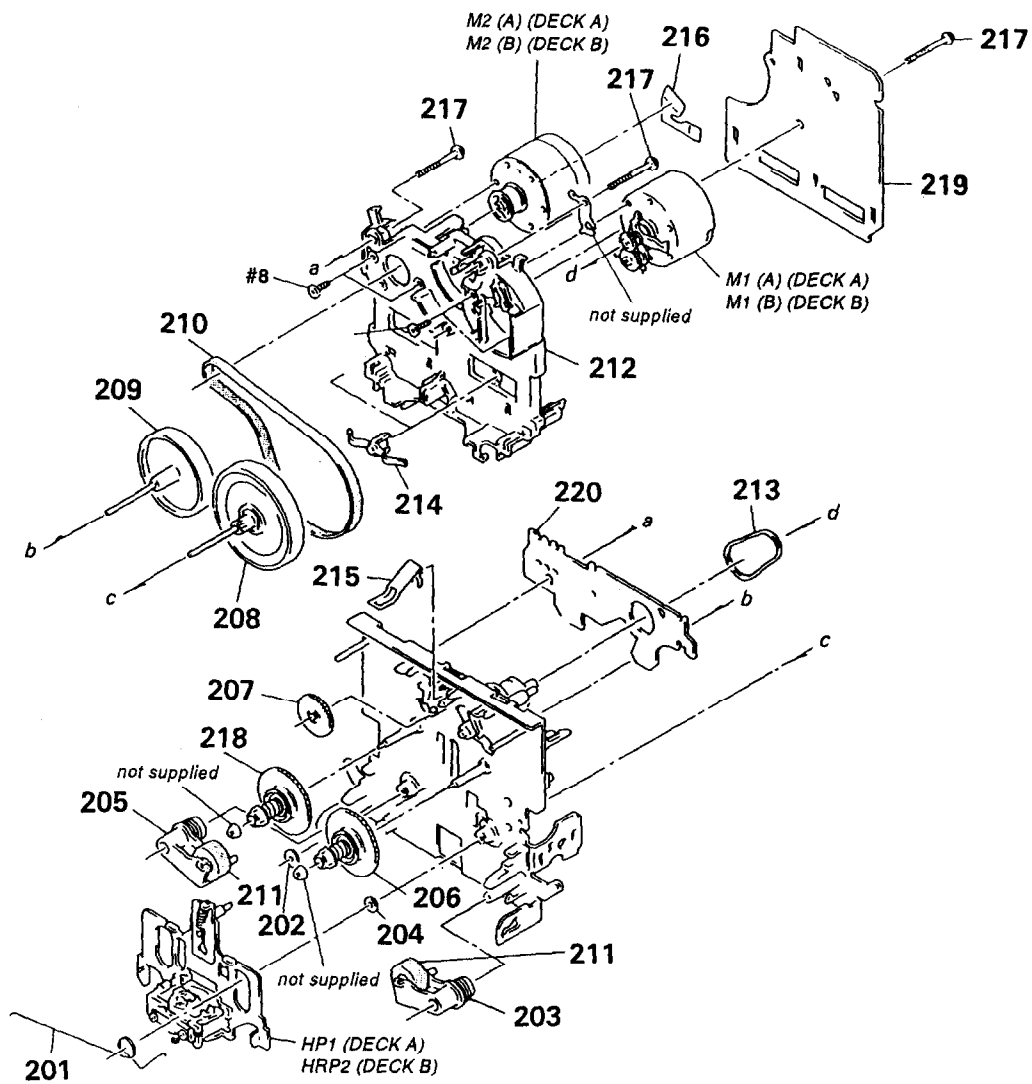
6-3. TC BLOCK SECTION



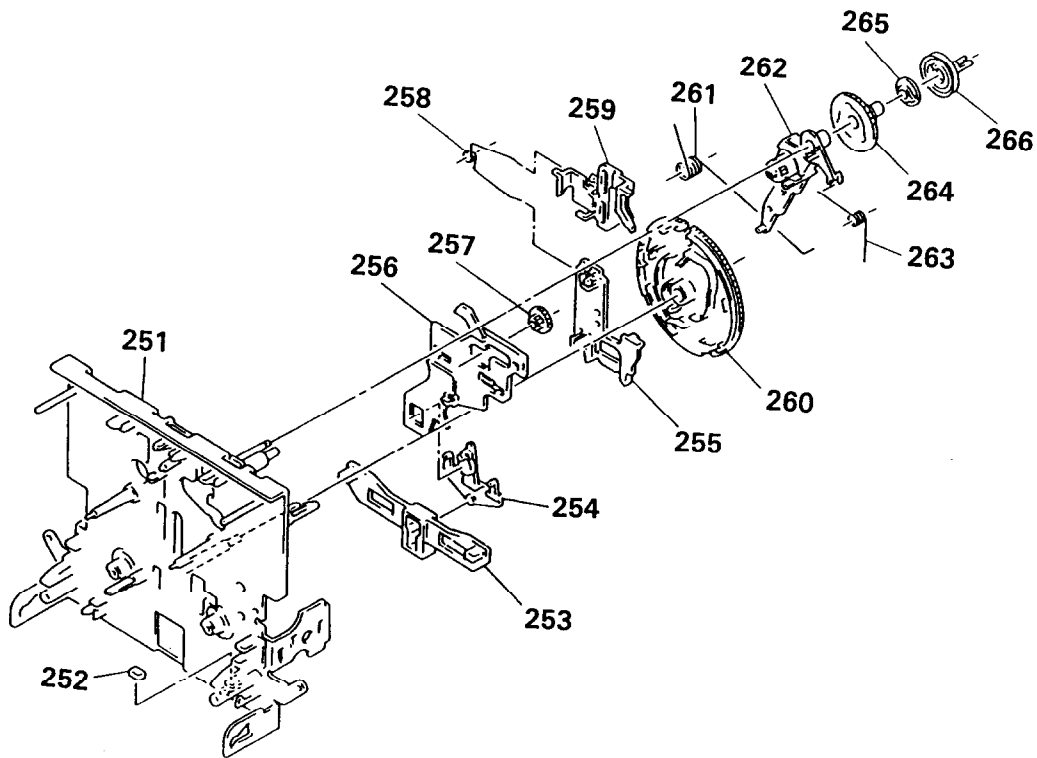
6-4. TRAY SECTION



6-5. TC MECHANISM SECTION-1  
 (TCM-190RA12CL : DECK A)  
 (TCM-190RB53C : DECK B)



6-6. TC MECHANISM SECTION-2  
(TCM-190RA12CL : DECK A)  
(TCM-190RB53C : DECK B)



6-7. OPTICAL PICK-UP BLOCK SECTION  
(BU-5BD13)

