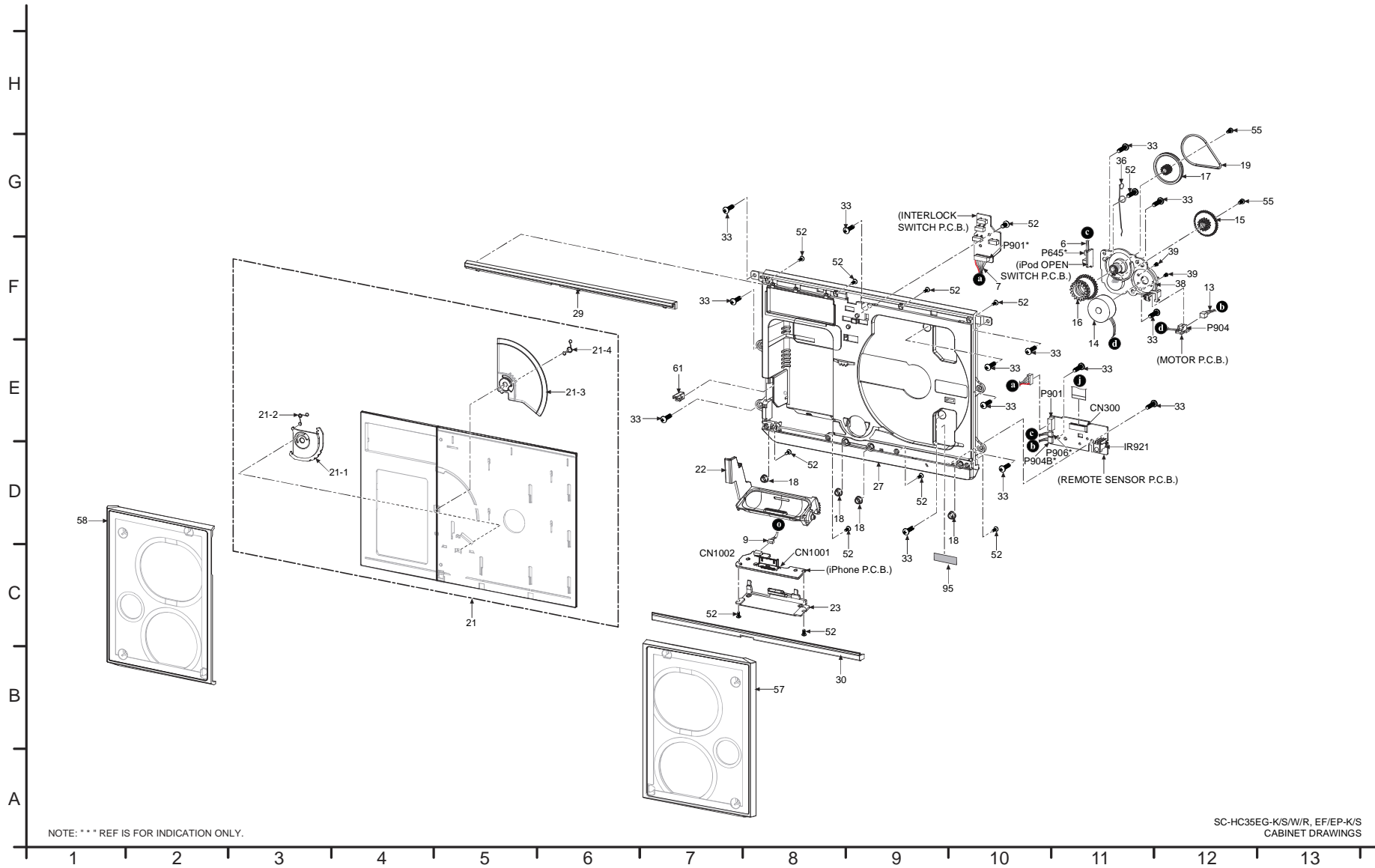
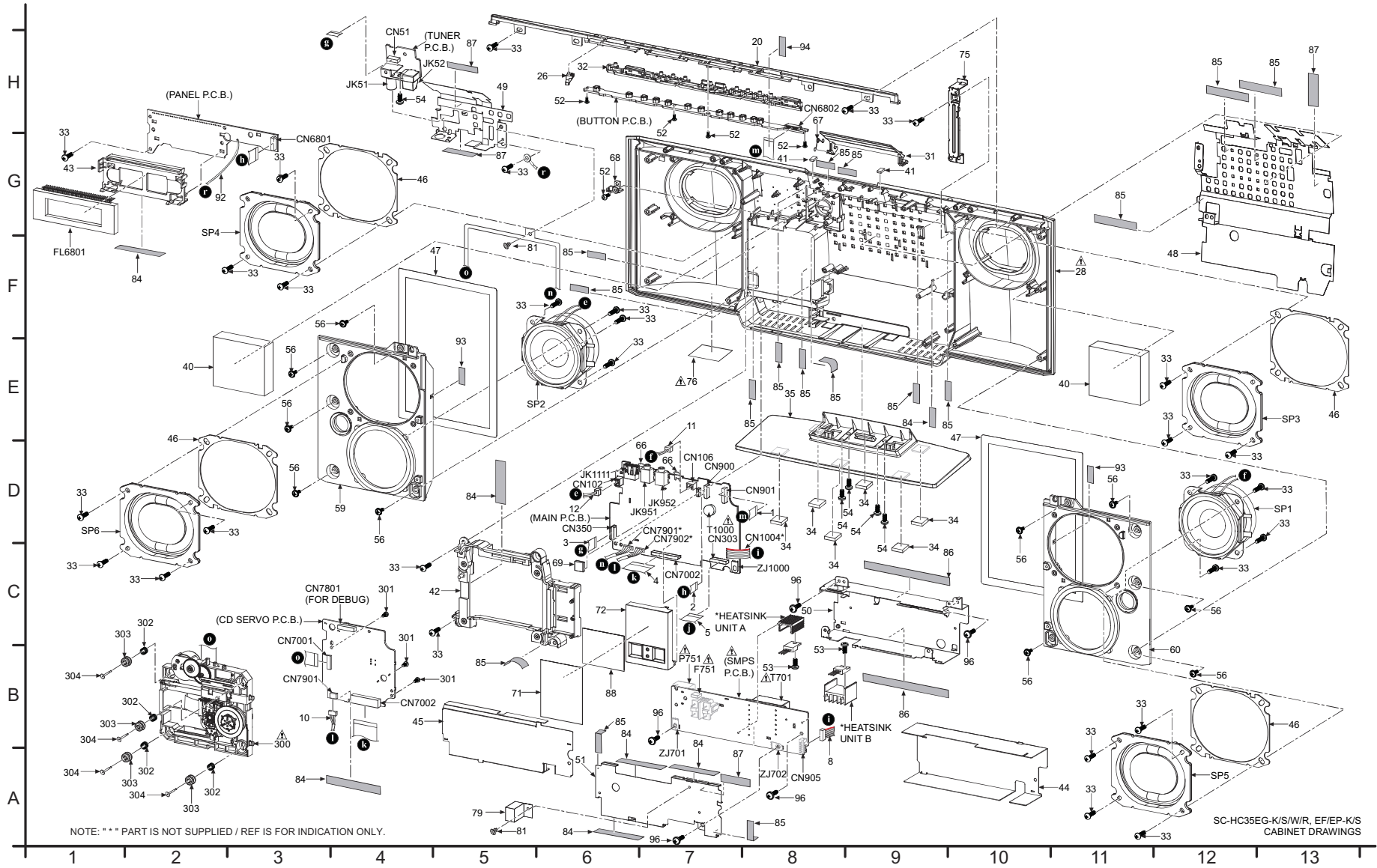


# 18 Exploded View and Replacement Parts List

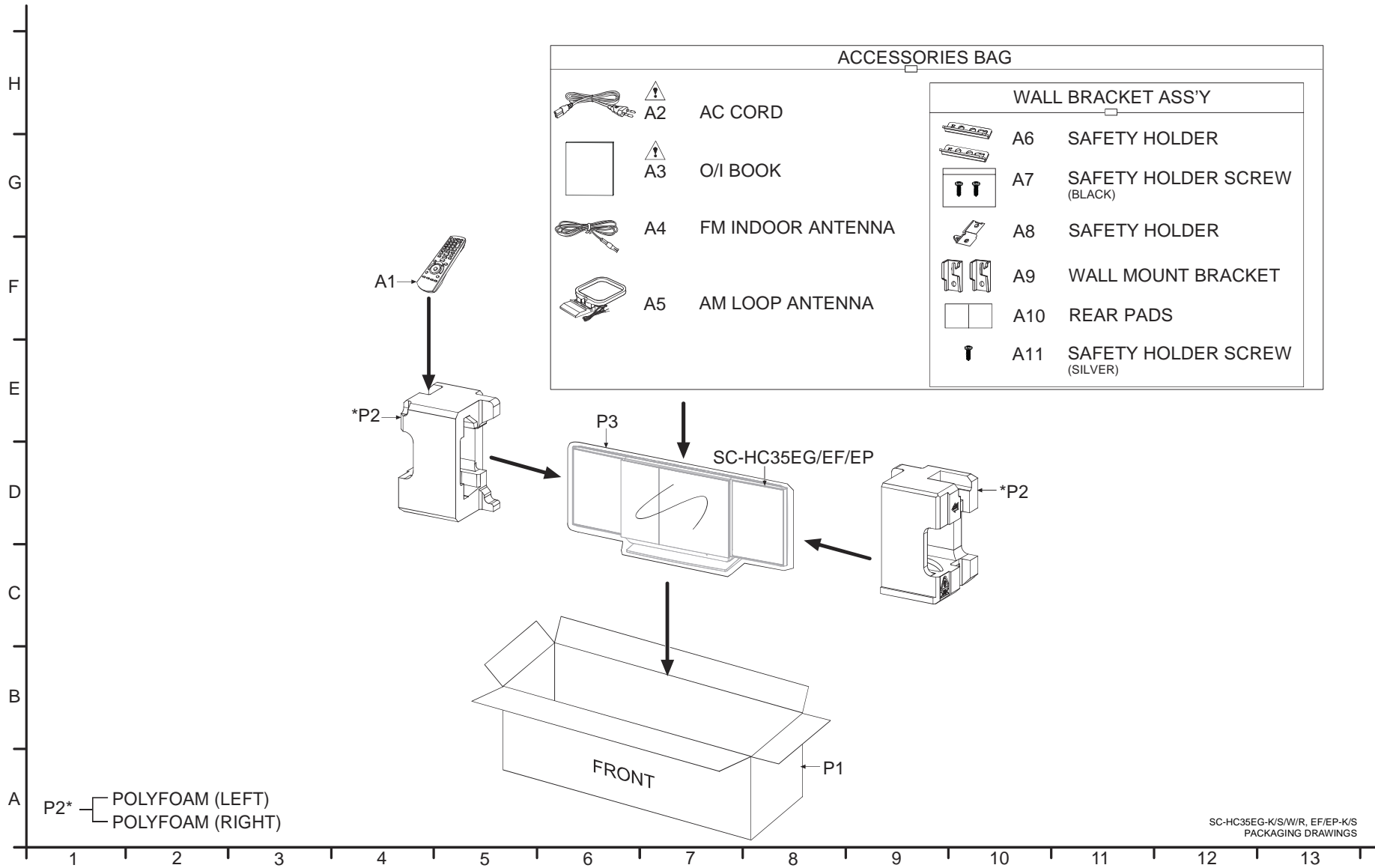
## 18.1. Exploded View and Mechanical replacement Parts List

### 18.1.1. Cabinet Parts Location





18.1.2. Packaging



SC-HC35EG-K/S/W/R, EF/EP-K/S  
PACKAGING DRAWINGS