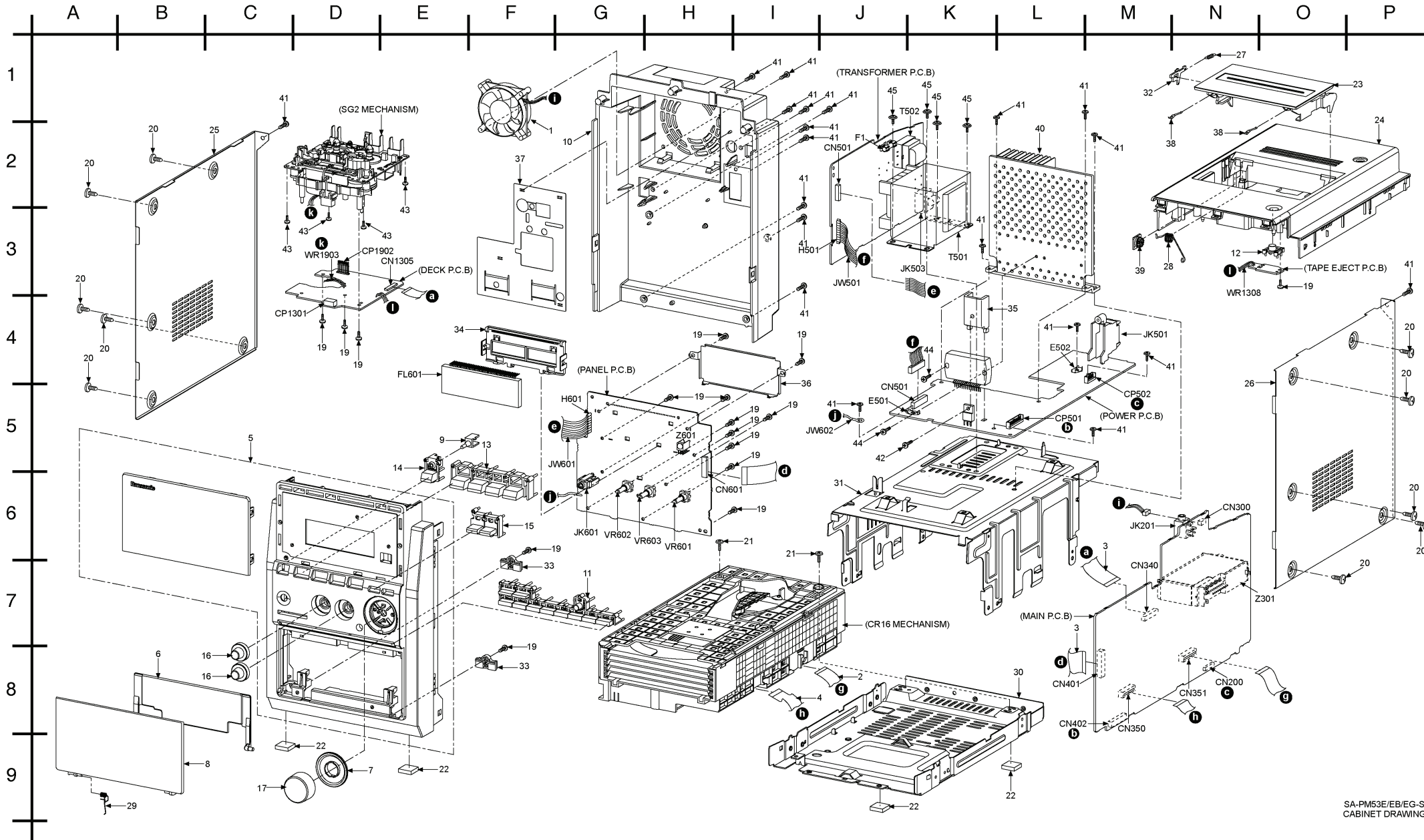
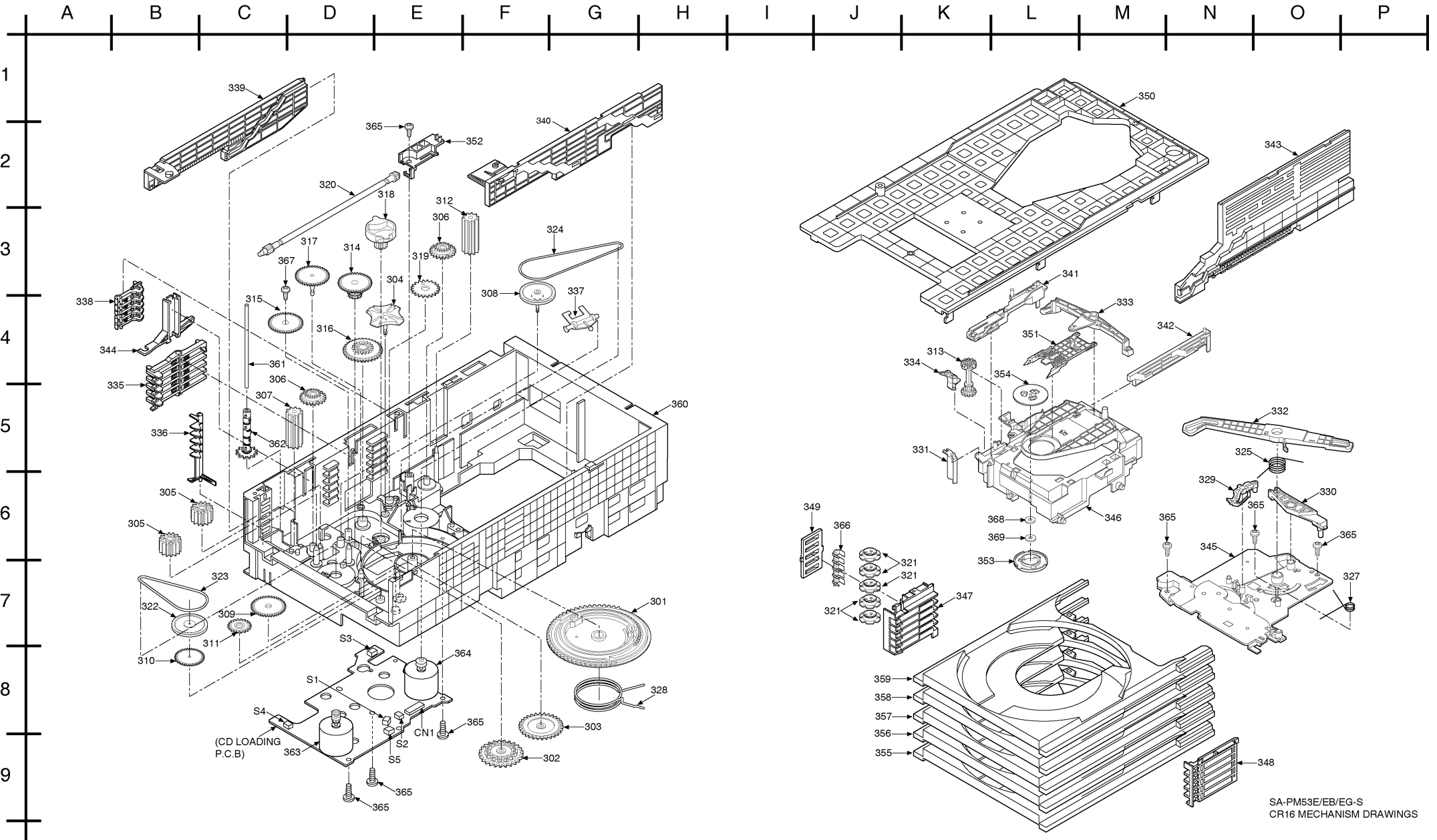


22 Exploded Views

22.1. Cabinet Parts Location

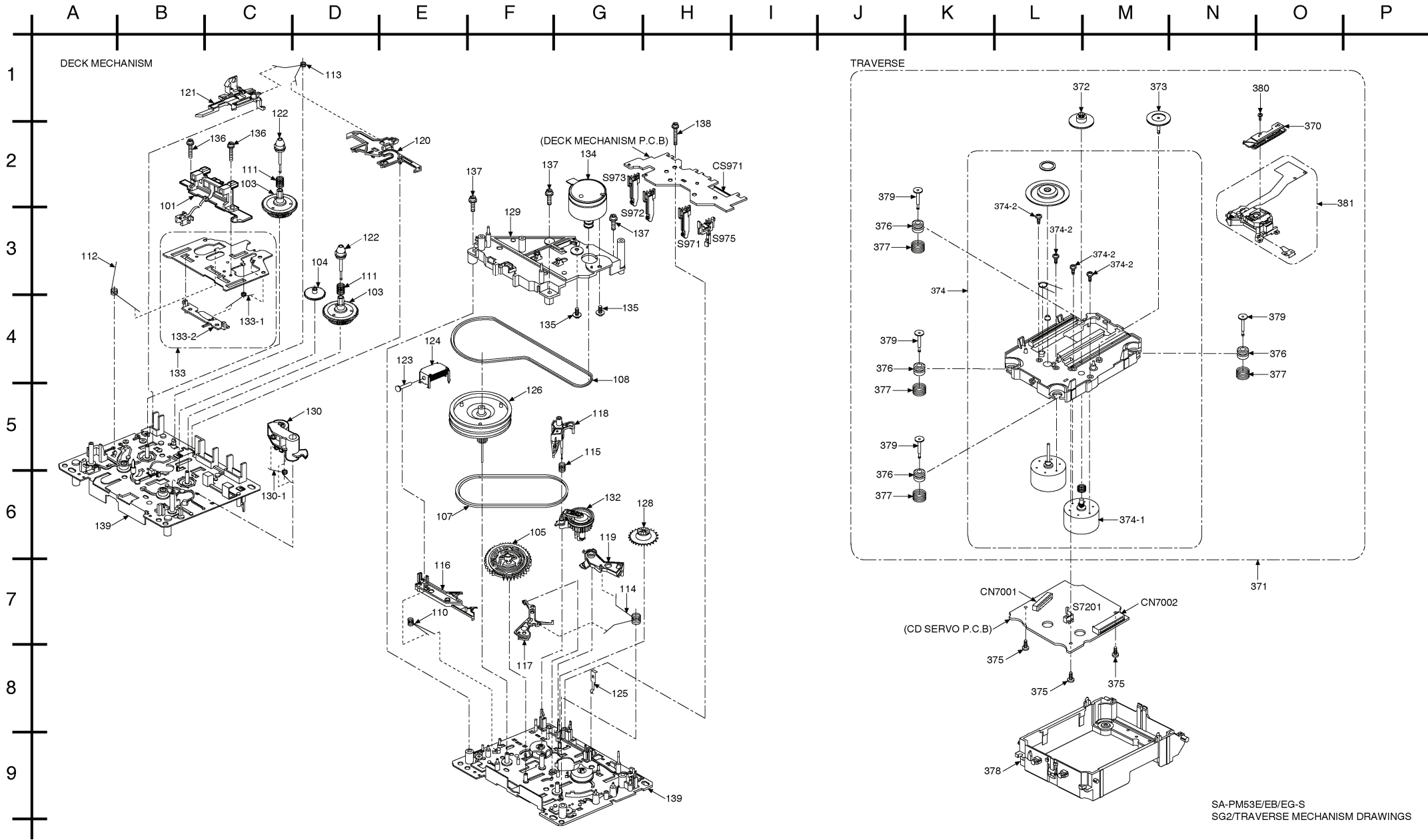


22.2. CD Loading Mechanism Parts Location

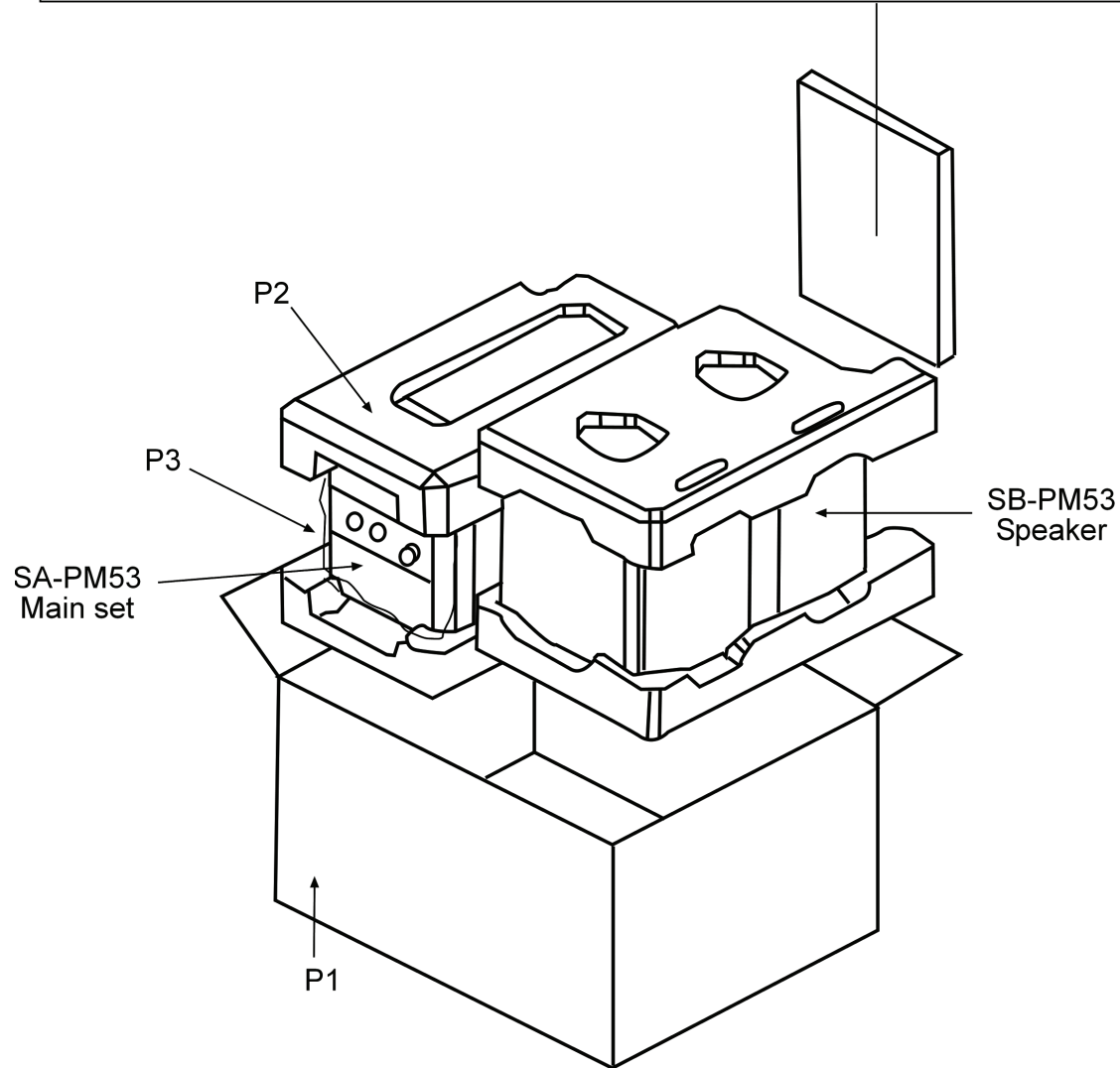
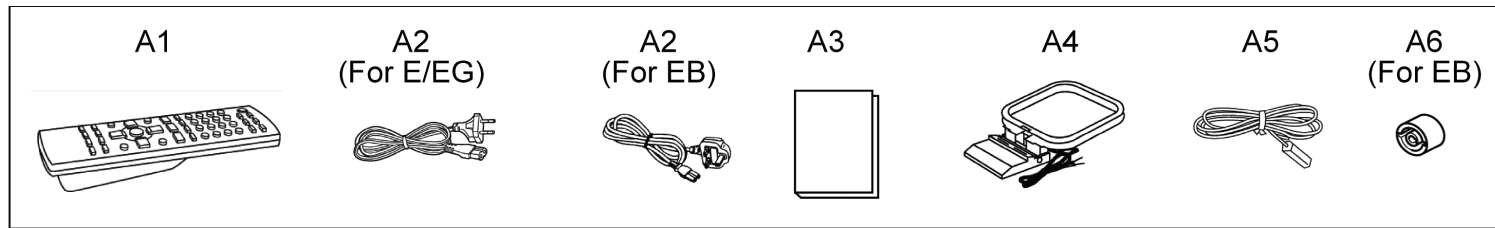


SA-PM53E/EB/EG-S
CR16 MECHANISM DRAWINGS

22.3. Deck Mechanism (RAA4402-1S) & Traverse Parts Location



22.4. Packaging



23 Replacement Parts List

Notes:

- Important safety notice:

Components identified by \triangle mark have special characteristics important for safety.

Furthermore, special parts which have purposes of fire-retardent (resistors), high-quality sound (capacitors), low noise (resistors), etc are used.

When replacing any of these components, be sure to use only manufacturer's specified parts shown in the parts list.

- The parenthesized indications in the Remarks columns specify the areas or colour. (Refer to the cover page for area or colour)
Parts without these indications can be used for all areas.

- Warning: This product uses a laser diode. Refer to "Precaution of Laser Diode".

ACTUNG:

Die Lasereinheit nicht zerlegen.

Die Lasereinheit darf nur gegen eine vom Hersteller spezifizierte Einheit ausgetauscht werden.

- Capacitor values are in microfarads (μ F) unless specified otherwise, P= Pico-farads (pF), F= Farads.
- Resistance values are in ohms, unless specified otherwise, 1K=1,000 (OHM).
- The marking (RTL) indicates that the Retention Time is limited for this items. After the discontinuation of this assembly in production, the item will continue to be available for a specific period of time. The retention period of a availability is dependent on the type of assembly, and in accordance with the laws governing part and product retention. After the end of this period, the assembly will no longer be available.
- [M] Indicates in the Remarks columns indicates parts supplied by **PAVCSG**.
- Reference for O/I book languages are as follows:

Ar:	Arabic	Du:	Dutch	It:	Italian	Sp:	Spanish
Cf:	Canadian French	En:	English	Ko:	Korean	Sw:	Swedish
Cz:	Czech	Fr:	French	Po:	Polish	Co:	Traditional Chinese
Da:	Danish	Ge:	German	Ru:	Russian	Cn:	Simplified Chinese
Pe:	Persian	Ur:	Ukraine				

Ref. No.	Part No.	Part Name & Description	Remarks
		CABINET AND CHASSIS	
1	L6FALEFH0023	DC FAN	[M]
2	REEV0039-1	17P FFC (CRI6-MAIN)	[M]
3	REEV0098	21P FFC (PANEL-MAIN-DECK)	[M]
4	REEX0327-2	FFC WIRE (MAIN-SERVO)	[M]
5	RFKAPM53EBS	FRONT PANEL ASS'Y	[M]
6	RGK1889-H	INNER CD LID	[M]
7	RGKV0137-S	VOL ORNAMENT	[M]
8	RFKLAPM53EBS	CD LID ORNAMENT ASSY	[M]
9	RLV0062-Q	LIGHTING TIP	[M]
10	RFKHAPM53EBS	REAR CABINET ASS'Y	[M]EB
10	RKSV0034B-H	REAR PANEL	[M]EG E
11	RGUV0141-S	5CD BUTTON	[M]
12	RGUV0142-S	CASS EJECT BUTTON	[M]
13	RGUV0143-S	FUNCTION BUTTON	[M]
14	RGUV0144A-S	POWER BUTTON	[M]
15	RGUV0145-S	REC/STOP BUTTON	[M]
16	RGWV0040-S	BASS/TREBLE KNOB	[M]
17	RGWV0041-S	VOLUME KNOB	[M]
19	RHD26046-L	SCREW	[M]
20	RHD30007-1SJ	SCREW	[M]
21	RHD30115-3	SCREW	[M]
22	RHG0008	LEG CUSHION	[M]
23	RKF0688-SJ	CASS HOLDER	[M]
24	RKMV0059A-S	TOP PANEL	[M]
25	RKMV0061-S	SIDE PANEL L	[M]
26	RKMV0062-S	SIDE PANEL R	[M]
27	RMB0448-J	LOCK ROD SPRING	[M]
28	RMB0780-1	CASS OPEN SPRING	[M]
29	RMBV0045	CD LID SPRING	[M]
30	RMK0595-2	BOTTOM CHASSIS	[M]
31	RMKV0060	INNER CHASSIS	[M]
32	RMM0163-1	CASSETTE LOCK ROD	[M]
33	RMN0780	CD LID SUPPORT	[M]

Ref. No.	Part No.	Part Name & Description	Remarks
34	RMNV0062	FL HOLDER	[M]
35	RMYV0057	HEATSINK SMALL	[M]
36	RSCV0054	FL REAR SHIELD	[M]
37	RSCV0068	REAR SHIELD	[M]
38	RUS757ZAA	CASS HALF SPRING	[M]
39	RXGX0002	DAMPER GEAR	[M]
40	RXXV0041A	HEAT SINK UNIT	[M]
41	XTB3+10JFJ	SCREW	[M]
42	XTB3+8JFJ	SCREW	[M]
43	XTV3+10GFJ-M	SCREW	[M]
44	XTW3+15TFJ	SCREW	[M]
45	XTWS3+6TFJ	SCREW	[M]
		CASSETTE DECK	
101	RED0067-2	R/P HEAD BLOCK UNIT	[M]
103	RDG0300	REEL BASE GEAR	[M]
104	RDG0301	WINDING RELAY GEAR	[M]
105	RDK0026-4	MAIN GEAR	[M]
107	RDV0033-4	WINDING BELT	[M]
108	RDV0064-1	CAPSTAN BELT	[M]
110	RMB0312	TRIGGER LEVER SPRING	[M]
111	RMB0400	REEL SPRING	[M]
112	RMB0403	HEAB PANEL SPRING	[M]
113	RMB0404	BRAKE ROD SPRING	[M]
114	RMB0406-5	FR LEVER SPRING	[M]
115	RMB0408	THRUST SPRING	[M]
116	RML0370-4	TRIGGER LEVER	[M]
117	RML0371	FR LEVER	[M]
118	RML0372-2	WINDING LEVER	[M]
119	RML0374-2	EJECT LEVER	[M]
120	RMM0131-1	BRAKE ROD	[M]
121	RMM0133-1	EJECT ROD	[M]
122	RMQ0519	REEL HUB	[M]
123	RMS0398-1	MOVING CORE	[M]

Ref. No.	Part No.	Part Name & Description	Remarks
124	RXQ0470-2	PLUNGER	[M]
125	RMC0061	PACK SPRING	[M]
126	RXF0061-1	FLYWHEEL F ASS'Y	[M]
128	RXG0040	FF RELAY GEAR ASS'Y	[M]
129	RMK0283A-2	SUB-CHASSIS	[M]
130	RXL0124	PINCH ROLLER F ASS'Y	[M]
130-1	RMB0401	PINCH ARM SPRING F	[M]
132	RXL0126	WINDING ARM ASS'Y	[M]
133	RXQ0412-3	HEAD PANEL ASS'Y	[M]
133-1	RMB0405-1	FR ROD SPRING	[M]
133-2	RMM0132-1	FR ROD	[M]
134	REM0120	CAP MOTOR ASS'Y	[M]
135	RHD26022-1	MOTOR SCREW	[M]
136	XTW2+5LFJ	HEAD BLOCK UNIT SCRE	[M]
137	XTW26+10SFJ	SUB-CHASSIS SCREW	[M]
138	XYC2+JF17FJ	PCB EARTH SCREW	[M]
139	RFKJSTR280PP	CHASSIS ASS'Y	[M]
		TRVERSE DECK	
301	RDG0519-1	MAIN GEAR	[M]
302	RDG0520	SPEED UP GEAR	[M]
303	RDG0521	REVERSE GEAR	[M]
304	RDG0522	GENEVA GEAR	[M]
305	RDG0523	HOR RELAY GEAR	[M]
306	RDG0525	CROWN GEAR	[M]
307	RDG0526	TRAY RELAY GEAR	[M]
308	RDG0527	UD PULLEY GEAR	[M]
309	RDG0528	HOR SPEED DOWN GEAR	[M]
310	RDG0529	HOR SPEED DOWN GEAR	[M]
311	RDG0530-1	DPIM IMPORT GEAR	[M]
312	RDG0531-1	LOAD RELAY GEAR	[M]
313	RDG0532	LOAD GEAR	[M]
314	RDG0535	UD SPEED DOWN GEAR	[M]
315	RDG0534	UD SPEED DOWN GEAR	[M]
316	RDG0536	SELECT SPEED DOWN GE	[M]
317	RDG0537-1	SELECT DRIVE GEAR	[M]
318	RDG0538-1	CHANGE GEAR	[M]
319	RDG0539	UD DRIVE GEAR	[M]
320	RDG0540	TIMING GEAR	[M]
321	RDG0542	TRAY GEAR	[M]
322	RDG0543	HOR PULLEY GEAR	[M]
323	RDV0068	HOR BELT	[M]
324	RDV0069	UD BELT	[M]
325	RME0344-1	UD ASSIST SPRING	[M]
327	RME0363-1	LIMIT SPRING	[M]
328	RME0368-1	MAIN GEAR SPRING	[M]
329	RML0616	SPEED UP LOCK	[M]
330	RML0617-2	SEPARATE LEVER 1	[M]
331	RML0618-1	SEPARATE LEVER 2	[M]
332	RML0619-1	UD. CONNECTION LEVER	[M]
333	RML0620	TRV.CONNECT LEVER	[M]
334	RML0621-3	TRAY CHANGE LEVER	[M]
335	RML0702	TRAY LOCK LEVER	[M]
336	RML0623-1	OPEN SW. LEVER	[M]
337	RML0624	CHG. LEVER	[M]
338	RML0701	TRAY STOPPER	[M]
339	RMM0239-1	UD RACK L	[M]
340	RMM0240-1	UD.RACK (R)	[M]
341	RMM0290-1	TRV SLIDE PLATE (L)	[M]
342	RMM0242-3	TRV SLIDE PLATE (R)	[M]
343	RMM0243-2	SELECT RACK PART	[M]
344	RMM0244	SELECT GUIDE	[M]
345	RMQ1051-2	PITCH PLATE PART	[M]
346	RMQ1460-1	UD BASE PART	[M]
347	RMQ1056	TRAY GUIDE (L)	[M]
348	RMQ1057	TRAY GUIDE (R)	[M]
349	RMQ1058	GEAR HOLDER	[M]
350	RMQ1059-2	TOP COVER	[M]
351	RMQ1060	CLAMP GUIDE	[M]
352	RMQ1061	TG.PLATE	[M]
353	RMR0334	FIXTURE	[M]
354	RMR0624-W5	CLAMPER	[M]

Ref. No.	Part No.	Part Name & Description	Remarks
355	RMRL714A-H	TRAY	[M]
356	RMRL714B-H	TRAY	[M]
357	RMRL714C-H	TRAY	[M]
358	RMRL714D-H	TRAY	[M]
359	RMRL714E-H	TRAY	[M]
360	RFKNAPM77MDS	MECHA BASE ASS'Y	[M]
361	RMS0762	TRAY GEAR SHAFT	[M]
362	RXG0053	TRAY DRIVE GEAR ASSY	[M]
363	RXQ0803	LOADING MOTOR ASSY	[M]
364	RXQ0804	UD MOTOR ASSY	[M]
365	XTB3+10JFJ	SCREW	[M]
366	RMC0472	TRAY SPRING	[M]
367	RHD26045-L	SCREW	[M]
368	RME0439	TRAY PUSH SPRING	[M]
369	RHM0001	MAGNET	[M]
370	RMM0218-1	TRAVERSE DRIVE RACK	[M]
371	RAE0157A-V	TRV UNIT WITHOUT SER	[M]
372	RDG0455	TRAVERSE GEAR (A)	[M]
373	RDG0456-1	TRAVERSE GEAR (B)	[M]
374	RFKNCT121157	TRAVERSE BASE ASS'Y	[M]
374-1	RXQ0632	TRAVERSE MOTOR UNIT	[M]
374-2	XQN17+C28FJ	SCREW	[M]
375	XTN2+6GFJ	SCREW	[M]
376	RMG0703-R	FLOATING RUBBER	[M]
377	RME0109	FLOATING SPRING	[M]
378	RMRL427-X	MIDDLE CHASSIS	[M]
379	RMS0757-1	FIXED PIN	[M]
380	SNSD38-1	SCREW	[M]
381	RXQ0999	OPU UNIT	[M]
		Printed Circuit Board	
	REP0082A	CD SERVO P.C.B	[M] RTL
	REP0086B	MAIN P.C.B / POWER P.C.B	[M] RTL
	REP0087B	PANEL P.C.B / TRANSFORMER P.C.B	[M] RTL (E/EG)
	REP0087C	PANEL P.C.B / TRANSFORMER P.C.B	[M] RTL (EB)
	REP0016B	DECK P.C.B / TAPE EJECT P.C.B	[M] RTL
	REP0321H	DECK MECHANISM P.C.B	[M] RTL
	REP0087A	TRANSFORMER P.C.B	[M] RTL
	REP3569A	CD LOADING P.C.B	[M] RTL
		INTEGRATED CIRCUITS	
IC11	C0GAG0000007	IC DRIVER	[M]
IC21	C0GAG0000007	IC DRIVER	[M]
IC201	C1BB00001121	IC ASP	[M]
IC202	C0AABB000125	IC OP AMP	[M]
IC401	C2CBYY000164	IC MICRO-PROCESSOR	[M]
IC403	C0DBZGC00067	IC REGULATOR	[M]
IC405	C1BB00000943	IC RDS	[M]
IC501	C5ZAZ0000083	IC POWER HIC	[M]
IC502	C0DAZYY00006	IC DUAL REGULATOR	[M]
IC503	C0DAZYY00005	IC 3.3V REGULATOR	[M]
IC601	C0HBB0000057	IC FL DRIVER	[M]
IC971	CNB13030R2AU	IC PHOTO INTERRUPTOR	[M]
IC1000	C1AA00000612	IC ANALOG SW	[M]
IC1001	AN7326K	IC DECK R/P	[M]
IC7001	MN6627954MA	IC LSI	[M]
IC7002	BA5948FPE2	IC 4 CH DRIVE	[M]
		TRANSISTORS	
Q1	B3NAA0000098	TRANSISTOR	[M]
Q205	B1ABGC000005	TRANSISTOR	[M]
Q206	B1ABGC000005	TRANSISTOR	[M]
Q207	B1ABGC000005	TRANSISTOR	[M]
Q208	B1ABGC000005	TRANSISTOR	[M]
Q209	B1ABCF000079	TRANSISTOR	[M]
Q210	B1ABCF000079	TRANSISTOR	[M]
Q211	B1ABGC000005	TRANSISTOR	[M]
Q212	B1ABGC000005	TRANSISTOR	[M]

Ref. No.	Part No.	Part Name & Description	Remarks
Q301	B1ABCF000079	TRANSISTOR	[M]
Q302	B1ABCF000079	TRANSISTOR	[M]
Q303	B1ACKD000006	TRANSISTOR	[M]
Q304	B1ABCF000079	TRANSISTOR	[M]
Q480	B1ADCE000012	TRANSISTOR	[M]
Q501	2SB0621AHA	TRANSISTOR	[M]
Q502	B1ABGC000005	TRANSISTOR	[M]
Q505	B1ACCF000094	TRANSISTOR	[M]
Q506	B1BCCG000002	TRANSISTOR	[M]
Q508	B1ABCF000079	TRANSISTOR	[M]
Q509	B1ABCF000079	TRANSISTOR	[M]
Q515	B1GBCFJJ0044	TRANSISTOR	[M]
Q519	B1ABCF000176	TRANSISTOR	[M]
Q524	B1BBD000001	TRANSISTOR	[M]
Q1101	B1ABGC000005	TRANSISTOR	[M]
Q1201	B1ABGC000005	TRANSISTOR	[M]
Q1302	B1GDCFJJ0002	TRANSISTOR	[M]
Q1303	B1GBCFGH0001	TRANSISTOR	[M]
Q1304	B1GDCFJH0002	TRANSISTOR	[M]
Q1309	B1AAGC000006	TRANSISTOR	[M]
Q1310	B1AAGC000006	TRANSISTOR	[M]
Q1312	B1ABCF000011	TRANSISTOR	[M]
Q1314	B1GDCFJH0002	TRANSISTOR	[M]
Q1315	B1ACKD000006	TRANSISTOR	[M]
Q1316	2SD09650RA	TRANSISTOR	[M]
Q1317	B1ABGC000005	TRANSISTOR	[M]
Q7601	B1ADCF000001	TRANSISTOR	[M]
QR201	B1GDCFJJ0047	CHIP TRANSISTOR	[M]
QR305	B1GBCFGG0030	CHIP TRANSISTOR	[M]
QR306	B1GBCFGG0030	CHIP TRANSISTOR	[M]
QR402	B1GBCFLL0037	CHIP TRANSISTOR	[M]
QR405	B1GDCFJG0026	CHIP TRANSISTOR	[M]
QR480	B1GBCFJJ0051	CHIP TRANSISTOR	[M]
QR503	B1GBCFJJ0007	CHIP TRANSISTOR	[M]
QR522	B1GBCFJJ0044	DIGITAL TRANSISTOR	[M]
		DIODES	
D201	MA2J72800L	DIODE	[M]
D202	MA2J72800L	DIODE	[M]
D203	B0ACCK000005	DIODE	[M]
D204	B0ACCK000005	DIODE	[M]
D301	B0ACCK000005	DIODE	[M]
D302	B0ADCJ000020	DIODE	[M]
D351	B0ACCK000005	DIODE	[M]
D401	MA2J72900L	DIODE	[M]
D402	B0ACCK000005	DIODE	[M]
D403	B0ACCK000005	DIODE	[M]
D501	B0ACCK000005	DIODE	[M]
D502	B0EAMM000038	DIODE	[M]
D503	B0EAMM000038	DIODE	[M]
D504	B0EAMM000038	DIODE	[M]
D505	B0EAMM000038	DIODE	[M]
D506	B0EAKM000117	DIODE	[M]
D507	B0EAKM000117	DIODE	[M]
D508	B0BC026A0007	DIODE	[M]
D509	B0ACCK000005	DIODE	[M]
D510	B0EAKM000117	DIODE	[M]
D511	B0EAKM000117	DIODE	[M]
D512	B0EAKM000117	DIODE	[M]
D513	B0EAKM000117	DIODE	[M]
D516	B0EAKM000117	DIODE	[M]
D517	B0EAKM000117	DIODE	[M]
D518	B0EAKM000117	DIODE	[M]
D519	B0EAKM000117	DIODE	[M]
D520	B0EAKM000117	DIODE	[M]
D523	B0ACCK000005	DIODE	[M]
D528	B0ACCK000005	DIODE	[M]
D529	B0ACCK000005	DIODE	[M]
D537	B0ACCK000005	DIODE	[M]
D538	B0BC01200019	DIODE	[M]
D601	B0BC6R700006	DIODE	[M]

Ref. No.	Part No.	Part Name & Description	Remarks
D602	B3AAA0000489	DIODE	[M]
D971	MA2C16500E	DIODE	[M]
D1301	B0ACCK000005	DIODE	[M]
D7650	MAZ80560ML	DIODE	[M]
LB320	J0JBC0000015	CHIP INDUCTOR	[M]
LB321	J0JBC0000015	CHIP INDUCTOR	[M]
		VARIABLE RESISTORS	
VR601	K9AA024Y0001	VR VOLUME ENCODER	[M]
VR602	EVEGE1F3012B	VR VOLUME ENCODER	[M]
VR603	EVEGE1F3012B	VR VOLUME ENCODER	[M]
		SWITCHES	
S1	K0L1BA000065	SW STOCK	[M]
S2	K0L1BA000065	SW PLAY	[M]
S3	K0L1BA000078	SW BOTTOM	[M]
S4	RSH1A045-1A	SW OPEN	[M]
S5	K0L1BA000065	SW CHANGE	[M]
S601	EVQ21405RJ	SW STOP/DEMO	[M]
S602	EVQ21405RJ	SW MUSIC PORT	[M]
S603	EVQ21405RJ	SW TUNER/BAND	[M]
S604	EVQ21405RJ	SW TAPE	[M]
S605	EVQ21405RJ	SW CD PLAY	[M]
S606	EVQ21405RJ	SW POWER	[M]
S607	EVQ21405RJ	SW CD 5	[M]
S608	EVQ21405RJ	SW CHANGE	[M]
S609	EVQ21405RJ	SW CD_CHECK	[M]
S610	EVQ21405RJ	SW CD 3	[M]
S611	EVQ21405RJ	SW CD 4	[M]
S612	EVQ21405RJ	SW OPEN/CLOSE	[M]
S613	EVQ21405RJ	SW CD 1	[M]
S614	EVQ21405RJ	SW CD 2	[M]
S615	EVQ21405RJ	SW REC	[M]
S616	EVQ21405RJ	SW REW	[M]
S617	EVQ21405RJ	SW H. BASS	[M]
S618	EVQ21405RJ	SW FWD	[M]
S971	K0J1BB000017	SW MODE	[M]
S972	K0J1BB000021	SW HALF	[M]
S973	K0J1BB000021	SW CR02	[M]
S975	K0J1BB000021	SW RECINH F	[M]
S1901	EVQ21405RJ	SW TAPE EJECT	[M]
S7201	RSH1A048-A	SW RESET	[M]
		CONNECTORS	
CN1	K1MN14BA0004	14P CONNECTOR	[M]
CN200	K1KB06B00038	6P CONNECTOR	[M]
CN300	K1KA02AA0186	2P FAN CONNECTOR	[M]
CN340	K1MN21A00031	21P CONNECTOR	[M]
CN350	K1MN14C00004	14P FFC CONNECTOR	[M]
CN351	K1MN17C00002	17P FFC CONNECTOR	[M]
CN401	K1MN21A00031	21P CONNECTOR	[M]
CN402	K1KB11A00020	11P CONNECTOR	[M]
CN501	K1KA10AA0319	10P CONNECTOR	[M]
CN501	K1MP09A00002	9P WIRE HOLDER	[M]
CN601	K1MN21B00010	21P FFC CONNECTOR	[M]
CN1305	K1MN21B00010	21P FFC CONNECTOR	[M]
CN7001	K1MN16B00154	16P CONNECTOR	[M]
CN7002	K1MN17B00032	17P CONNECTOR	[M]
CP501	K1KA11AA0031	11P CONNECTOR	[M]
CP502	K1KA06AA0031	6P CONNECTOR	[M]
CP1301	K1MY05AA0043	5P CONNECTOR SOCKET	[M]
CP1902	K1KA09BA0153	9P CONNECTOR	[M]
CS971	RJU071H09M1	9P CONNECTOR	[M]
		COILS & TRANSFORMERS	
L291	J0JBC0000019	CHIP INDUCTOR	[M]

Ref. No.	Part No.	Part Name & Description	Remarks
L292	J0JBC0000019	CHIP INDUCTOR	[M]
L295	J0JBC0000019	CHIP INDUCTOR	[M]
L301	G0A200D00002	RF CHOKE COIL	[M]
L401	G0C3R3JA0027	COIL	[M]
L501	G0B371HA0005	LINE FILTER	[M] △
L503	G0AR76Y00003	CHOKE COIL	[M]
L504	G0AR76Y00003	CHOKE COIL	[M]
L601	G0C101JA0052	INDUCTOR	[M]
L602	G0C101JA0052	INDUCTOR	[M]
L603	G0C3R3JA0027	COIL	[M]
L1301	G2ZZ00000024	BIAS OCS COIL	[M]
L1302	G0C470JA0052	RF CHOKE COIL	[M]
T501	G4CYAYY00077	POWER TRANSFORMER	[M] △
T502	RTP1H3E002	SUB TRANSFORMER	[M] △
		COMPONENT COMBINATIONS	
Z301	ENG07811QF	TUNER PACK	[M]
Z501	ERZVA5Z471	ZENER	[M] △
Z601	B3RAB0000046	REMOCON SENSOR	[M]
		RELAY	
RL501	K6B1ADA00011	RELAY	[M] △
		OSCILLATORS	
X401	H2B100500004	CERAMIC RESONATOR	[M]
X402	H0A327200111	CRYSTAL OSCILLATOR	[M]
X461	H0H433400002	CRYSTAL OSCILLATOR	[M]
X7201	H2B169500005	CRYSTAL OSCILLATOR	[M]
		DISPLAY TUBE	
FL601	A2BB00000157	FL DISPLAY	[M]
		FUSES	
F1	K5D102BLA013	FUSE	[M] △
		FUSE HOLDERS	
FC1	K3GE1ZZ00001	FUSE HOLDER	[M]
FC2	K3GE1ZZ00001	FUSE HOLDER	[M]
		FUSE PROTECTOR	
FP501	K5G402A00025	FUSE PROTECTOR	[M] △
FP502	K5G102A00039	FUSE PROTECTOR	[M] △
		HOLDERS	
H501	K1YF10000003	10P CONNECTOR	[M]
H601	RMR0318	9P WIRE HOLDER	[M]
		JACKS	
JK201	K2HC103B0162	JK HEADPHONE	[M]
JK503	K2AA2B000015	JK AC INLET	[M] △
JK501	K4BC04B00086	JK RED/BLACK SPEAKER	[M]
JK601	K2HC1YYA0006	JK MUSIC PORT	[M]
		EARTH TERMINALS	
E501	SNE1004-3	EARTH TERMINAL	[M]
E502	SNE1004-3	EARTH TERMINAL	[M]
		WIRES	
WR1308	RWJ0102110SS	2P (MOTOR WIRE) (WR1308A/B)	[M]
WR1903	RWJ0102050KR	2P (MOTOR WIRE)	[M]

Ref. No.	Part No.	Part Name & Description	Remarks
JW501	REXV0065	10P WIRE	[M]
JW601	RWJ0209150XQ	9P WIRE	[M]
JW602	REZ1372	EARTH WIRE	[M]
		PACKING MATERIALS	
P1	RPGV0274	PACKING CASE	[M]
P2	RPNV0096	POLYFOAM	[M]
P3	RPV0001-1	MIRAMAT SHEET	[M]
		ACCESSORIES	
A1	N2QAYB000008	REMOTE CONTROL	[M]
A1-1	RKK-HTR0051K	R/C BATTERY COVER	[M]
A2	K2CQ2CA00002	AC CORD	[M] EG E △
A2	K2CT3CA00004	AC CORD	[M] EB △
A3	RQTV0099-D	O/I BOOK (Ge/It/Fr)	[M] EG
A3	RQTV0100-H	O/I BOOK (Du/Da/Sw)	[M] EG
A3	RQTV0101-E	O/I BOOK (Sp/Po/Cz)	[M] E
A3	RQTV0102-B	O/I BOOK (En)	[M] EB E
A4	N1DAAA000001	AM LOOP ANTENNA	[M]
A5	RSA0007-L	FM ANTENNA WIRE	[M]
A6	K1YZ02000013	ANT ADAPTER	[M] EB
		RESISTORS	
R201	ERJ3GEYJ682V	6.8K 1/16W	[M]
R202	ERJ3GEYJ682V	6.8K 1/16W	[M]
R203	D0GB392JA007	3.9K 1/16W	[M]
R204	D0GB392JA007	3.9K 1/16W	[M]
R205	D0GB392JA007	3.9K 1/16W	[M]
R206	D0GB392JA007	3.9K 1/16W	[M]
R207	ERJ3GEY0R00V	0 1/16W	[M]
R208	ERJ3GEY0R00V	0 1/16W	[M]
R209	ERJ3GEYJ103V	10K 1/16W	[M]
R210	ERJ3GEYJ103V	10K 1/16W	[M]
R211	D0GB562JA007	5.6K 1/16W	[M]
R212	D0GB562JA007	5.6K 1/16W	[M]
R213	D0GB123JA007	12K 1/16W	[M]
R214	D0GB123JA007	12K 1/16W	[M]
R215	ERJ3GEYJ102V	1K 1/16W	[M]
R216	ERJ3GEYJ102V	1K 1/16W	[M]
R217	D0GB183JA007	18K 1/16W	[M]
R218	D0GB183JA007	18K 1/16W	[M]
R219	D0GB272JA007	2.7K 1/16W	[M]
R220	D0GB272JA007	2.7K 1/16W	[M]
R221	D0GB152JA007	1.5K 1/16W	[M]
R222	ERD2FCVJ4R7T	4.7 1/4W	[M]
R223	D0GB104JA007	100K 1/16W	[M]
R224	D0GB562JA007	5.6K 1/16W	[M]
R225	D0GB123JA007	12K 1/16W	[M]
R226	D0GB153JA007	15K 1/16W	[M]
R227	D0GB104JA007	100K 1/16W	[M]
R230	D0GB272JA007	2.7K 1/16W	[M]
R231	D0GB272JA007	2.7K 1/16W	[M]
R236	ERJ3GEYJ101V	100 1/16W	[M]
R237	D0GB563JA007	56K 1/16W	[M]
R238	D0GB273JA007	27K 1/16W	[M]
R239	D0GB104JA007	100K 1/16W	[M]
R240	D0GB104JA007	100K 1/16W	[M]
R241	ERJ3GEYJ822V	8.2K 1/16W	[M]
R242	ERJ3GEYJ822V	8.2K 1/16W	[M]
R243	D0GB823JA007	82K 1/16W	[M]
R244	D0GB823JA007	82K 1/16W	[M]
R245	D0GB104JA007	100K 1/16W	[M]
R246	D0GB104JA007	100K 1/16W	[M]
R247	ERJ3GEYJ102V	1K 1/16W	[M]
R248	ERJ3GEYJ102V	1K 1/16W	[M]
R249	ERJ3GEYJ102V	1K 1/16W	[M]
R250	ERJ3GEYJ102V	1K 1/16W	[M]
R251	D0GB104JA007	100K 1/16W	[M]

Ref. No.	Part No.	Part Name & Description	Remarks
R252	D0GB104JA007	100K 1/16W	[M]
R253	D0GB221JA007	220 1/16W	[M]
R254	D0GB221JA007	220 1/16W	[M]
R255	D0GB153JA007	15K 1/16W	[M]
R256	D0GB153JA007	15K 1/16W	[M]
R257	ERJ3GEYJ102V	1K 1/16W	[M]
R258	ERJ3GEYJ102V	1K 1/16W	[M]
R259	D0GB104JA007	100K 1/16W	[M]
R260	D0GB104JA007	100K 1/16W	[M]
R261	D0GB472JA041	4.7K 1/16W	[M]
R262	D0GB472JA041	4.7K 1/16W	[M]
R263	D0GB222JA041	2.2K 1/16W	[M]
R264	D0GB222JA041	2.2K 1/16W	[M]
R265	D0GB220JA007	22 1/16W	[M]
R266	D0GB220JA007	22 1/16W	[M]
R267	D0GB152JA007	1.5K 1/16W	[M]
R268	D0GB152JA007	1.5K 1/16W	[M]
R269	D0GB220JA007	22 1/16W	[M]
R270	D0GB220JA007	22 1/16W	[M]
R271	ERJ3GEYJ102V	1K 1/16W	[M]
R272	ERJ3GEYJ102V	1K 1/16W	[M]
R273	D0GB332JA007	3.3K 1/16W	[M]
R274	D0GB332JA007	3.3K 1/16W	[M]
R275	D0GB472JA041	4.7K 1/16W	[M]
R276	D0GB472JA041	4.7K 1/16W	[M]
R277	D0GB392JA007	3.9K 1/16W	[M]
R278	D0GB392JA007	3.9K 1/16W	[M]
R301	ERJ3GEYJ824V	820K 1/16W	[M]
R302	ERJ3GEYJ103V	10K 1/16W	[M]
R303	D0GB563JA007	56K 1/16W	[M]
R304	ERJ3GEYJ824V	820K 1/16W	[M]
R305	D0GB562JA007	5.6K 1/16W	[M]
R306	D0GB472JA041	4.7K 1/16W	[M]
R307	ERJ3GEYJ103V	10K 1/16W	[M]
R308	ERJ3GEYJ103V	10K 1/16W	[M]
R309	D0GB563JA007	56K 1/16W	[M]
R310	D0AF180JA039	18 1/4W	[M]
R311	D0GB101JA007	100 1/16W	[M]
R312	D0GB563JA007	56K 1/16W	[M]
R320	D0GB221JA041	220 1/16W	[M]
R321	D0GB222JA041	2.2K 1/16W	[M]
R322	D0GB221JA041	220 1/16W	[M]
R323	D0GB221JA041	220 1/16W	[M]
R324	ERJ3GEYJ102V	1K 1/16W	[M]
R325	ERJ3GEYJ102V	1K 1/16W	[M]
R330	D0GB472JA041	4.7K 1/16W	[M]
R331	D0GB223JA041	22K 1/16W	[M]
R332	D0GB223JA041	22K 1/16W	[M]
R351	ERD2FCVG100T	10 1/4W	[M]
R352	D0GB121JA007	120 1/16W	[M]
R353	D0GB101JA007	100 1/16W	[M]
R354	ERJ3GEYJ102V	1K 1/16W	[M]
R355	ERJ3GEYJ102V	1K 1/16W	[M]
R356	ERJ3GEYJ102V	1K 1/16W	[M]
R357	ERJ3GEYJ102V	1K 1/16W	[M]
R358	ERJ3GEYJ102V	1K 1/16W	[M]
R359	ERJ3GEYJ102V	1K 1/16W	[M]
R401	ERJ3GEYJ103V	10K 1/16W	[M]
R402	D0GB101JA007	100 1/16W	[M]
R403	D0GB473JA041	47K 1/16W	[M]
R404	ERJ3GEYJ102V	1K 1/16W	[M]
R405	ERJ3GEYJ103V	10K 1/16W	[M]
R406	D0GB472JA041	4.7K 1/16W	[M]
R408	D0GB101JA007	100 1/16W	[M]
R409	D0GB101JA007	100 1/16W	[M]
R410	ERJ3GEYJ102V	1K 1/16W	[M]
R411	ERJ3GEYJ102V	1K 1/16W	[M]
R412	D0GB222JA041	2.2K 1/16W	[M]
R413	D0GB101JA007	100 1/16W	[M]
R414	D0GB101JA007	100 1/16W	[M]
R415	D0GB101JA007	100 1/16W	[M]
R416	D0GB101JA007	100 1/16W	[M]
R417	D0GB101JA007	100 1/16W	[M]

Ref. No.	Part No.	Part Name & Description	Remarks
R418	D0GB101JA007	100 1/16W	[M]
R419	D0GB101JA007	100 1/16W	[M]
R420	D0GB101JA007	100 1/16W	[M]
R421	D0GB101JA007	100 1/16W	[M]
R422	D0GB101JA007	100 1/16W	[M]
R423	D0GB472JA041	4.7K 1/16W	[M]
R424	D0GB472JA041	4.7K 1/16W	[M]
R425	D0GB473JA041	47K 1/16W	[M]
R426	D0GB472JA041	4.7K 1/16W	[M]
R427	D0GB101JA007	100 1/16W	[M]
R428	D0GB472JA041	4.7K 1/16W	[M]
R429	D0GB101JA007	100 1/16W	[M]
R430	ERJ3GEYJ102V	1K 1/16W	[M]
R431	D0GB101JA007	100 1/16W	[M]
R433	D0GB101JA007	100 1/16W	[M]
R435	ERJ3GEYJ102V	1K 1/16W	[M]
R436	ERJ3GEYJ682V	6.8K 1/16W	[M]
R437	D0GB101JA007	100 1/16W	[M]
R439	D0GB473JA041	47K 1/16W	[M]
R440	D0GB472JA041	4.7K 1/16W	[M]
R441	D0GB101JA007	100 1/16W	[M]
R444	D0GB101JA007	100 1/16W	[M]
R445	D0GB101JA007	100 1/16W	[M]
R446	ERJ3GEYJ103V	10K 1/16W	[M]
R447	D0GB223JA041	22K 1/16W	[M]
R448	D0GB471JA041	470 1/16W	[M]
R449	D0GB101JA007	100 1/16W	[M]
R450	ERJ3GEYJ681V	680 1/16W	[M]
R451	D0GB472JA041	4.7K 1/16W	[M]
R452	D0GB106JA007	10M 1/16W	[M]
R453	ERJ3GEY0R00V	0 1/16W	[M]
R454	D0GB223JA041	22K 1/16W	[M]
R455	D0GB101JA007	100 1/16W	[M]
R456	D0GB472JA041	4.7K 1/16W	[M]
R457	D0GB472JA041	4.7K 1/16W	[M]
R458	D0GB472JA041	4.7K 1/16W	[M]
R459	D0GB472JA041	4.7K 1/16W	[M]
R460	D0GB472JA041	4.7K 1/16W	[M]
R461	ERJ3GEYJ103V	10K 1/16W	[M]
R462	ERJ3GEYJ103V	10K 1/16W	[M]
R463	ERJ3GEYJ103V	10K 1/16W	[M]
R464	D0GB101JA007	100 1/16W	[M]
R465	D0GB101JA007	100 1/16W	[M]
R466	D0GB101JA007	100 1/16W	[M]
R467	D0GB101JA007	100 1/16W	[M]
R468	D0GB101JA007	100 1/16W	[M]
R469	D0GB101JA007	100 1/16W	[M]
R470	D0GB101JA007	100 1/16W	[M]
R471	D0GB101JA007	100 1/16W	[M]
R472	D0GB473JA041	47K 1/16W	[M]
R473	ERJ3GEYJ681V	680 1/16W	[M]
R474	D0GB101JA007	100 1/16W	[M]
R477	ERJ3GEYJ103V	10K 1/16W	[M]
R478	D0GB473JA041	47K 1/16W	[M]
R479	ERJ3GEYJ103V	10K 1/16W	[M]
R480	D0GB472JA041	4.7K 1/16W	[M]
R488	D0GB153JA007	15K 1/16W	[M]
R490	ERJ3GEYJ103V	10K 1/16W	[M]
R501	ERD2FCVJ4R7T	4.7 1/4W	[M]
R502	D0GB472JA041	4.7K 1/16W	[M]
R503	D0GB151JA007	150 1/16W	[M]
R504	D0GB332JA007	3.3K 1/16W	[M]
R505	ERJ3GEYJ103V	10K 1/16W	[M]
R506	ERJ3GEYJ103V	10K 1/16W	[M]
R511	D0AF220JA039	22 1/4W	[M]
R512	ERD1FVJ1R0T	1 1/2W	[M]
R518	D0AF150JA039	15 1/4W	[M]
R519	D0AF270JA039	27 1/4W	[M]
R520	D0GB561JA007	560 1/16W	[M]
R521	D0GB272JA007	2.7K 1/16W	[M]
R522	D0GB272JA007	2.7K 1/16W	[M]
R523	D0AF332JA039	3.3K 1/4W	[M]
R526	D0GB473JA041	47K 1/16W	[M]

Ref. No.	Part No.	Part Name & Description	Remarks
R527	D0GB473JA041	47K 1/16W	[M]
R528	D0GB104JA007	100K 1/16W	[M]
R552	ERJ3GEYJ122V	1.2K 1/16W	[M]
R553	ERJ3GEYJ122V	1.2K 1/16W	[M]
R564	D0GB563JA007	56K 1/16W	[M]
R565	D0GB563JA007	56K 1/16W	[M]
R568	ERJ3GEYJ394V	390K 1/16W	[M]
R569	D0GB334JA007	330K 1/16W	[M]
R572	D0GB562JA007	5.6K 1/16W	[M]
R573	D0GB562JA007	5.6K 1/16W	[M]
R578	D0AF100JA039	10 1/4W	[M]
R579	D0AF100JA039	10 1/4W	[M]
R580	D0AF100JA039	10 1/4W	[M]
R581	D0AF100JA039	10 1/4W	[M]
R584	ERJ3GEY0R00V	0 1/16W	[M]
R585	ERJ3GEY0R00V	0 1/16W	[M]
R601	D0GB182JA007	1.8K 1/16W	[M]
R602	D0GB680JA007	68 1/16W	[M]
R603	D0GB680JA007	68 1/16W	[M]
R604	D0GB104JA007	100K 1/16W	[M]
R605	ERJ3GEYJ682V	6.8K 1/16W	[M]
R606	D0GB472JA041	4.7K 1/16W	[M]
R607	D0GB332JA007	3.3K 1/16W	[M]
R608	D0GB222JA041	2.2K 1/16W	[M]
R609	D0GB152JA007	1.5K 1/16W	[M]
R610	ERJ3GEYJ122V	1.2K 1/16W	[M]
R611	D0GB152JA007	1.5K 1/16W	[M]
R612	ERJ3GEYJ122V	1.2K 1/16W	[M]
R613	D0GB223JA041	22K 1/16W	[M]
R614	D0GB123JA007	12K 1/16W	[M]
R615	ERJ3GEYJ103V	10K 1/16W	[M]
R616	D0GB223JA041	22K 1/16W	[M]
R617	D0GB123JA007	12K 1/16W	[M]
R618	ERJ3GEYJ103V	10K 1/16W	[M]
R619	D0GB223JA041	22K 1/16W	[M]
R620	D0GB123JA007	12K 1/16W	[M]
R621	ERJ3GEYJ103V	10K 1/16W	[M]
R622	D0GB470JA008	47 1/16W	[M]
R623	ERJ3GEYJ102V	1K 1/16W	[M]
R624	ERJ3GEYJ102V	1K 1/16W	[M]
R625	ERJ3GEYJ102V	1K 1/16W	[M]
R626	D0GB182JA007	1.8K 1/16W	[M]
R627	D0GB332JA007	3.3K 1/16W	[M]
R628	D0GB472JA041	4.7K 1/16W	[M]
R629	ERJ3GEYJ682V	6.8K 1/16W	[M]
R630	ERJ3GEYJ153V	15K 1/16W	[M]
R631	D0GB222JA041	2.2K 1/16W	[M]
R632	D0GB222JA041	2.2K 1/16W	[M]
R633	D0GB152JA007	1.5K 1/16W	[M]
R634	ERJ3GEYJ122V	1.2K 1/16W	[M]
R635	D0GB151JA007	150 1/16W	[M]
R636	ERJ3GEYJ103V	10K 1/16W	[M]
R701	ERDS1FVJ101T	100 1/2W	[M]
R703	ERDS1FVJ101T	100 1/2W	[M]
R706	D0GB153JA007	15K 1/16W	[M]
R707	D0GB153JA007	15K 1/16W	[M]
R710	D0GB561JA007	560 1/16W	[M]
R711	D0GB561JA007	560 1/16W	[M]
R714	D0GB182JA007	1.8K 1/16W	[M]
R715	D0GB182JA007	1.8K 1/16W	[M]
R718	ERJ3GEYJ102V	1K 1/16W	[M]
R736	D0GB223JA041	22K 1/16W	[M]
R737	D0GB223JA041	22K 1/16W	[M]
R742	D0GB332JA007	3.3K 1/16W	[M]
R743	D0GB333JA007	33K 1/16W	[M]
R744	D0GB223JA041	22K 1/16W	[M]
R745	D0GB183JA007	18K 1/16W	[M]
R746	D0AF221JA039	220 1/4W	[M]
R747	ERDS1FVJ2R2T	2.2 1/2W	[M]
R750	D0GB123JA007	12K 1/16W	[M]
R751	D0GB123JA007	12K 1/16W	[M]
R972	ERDS2TJ821T	820 1/4W	[M]
R973	ERDS2TJ393T	39K 1/4W	[M]

Ref. No.	Part No.	Part Name & Description	Remarks
R1061	ERJ3GEY0R00V	0 1/16W	[M]
R1063	ERJ3GEY0R00V	0 1/16W	[M]
R1064	ERJ3GEY0R00V	0 1/16W	[M]
R1101	D0GB330JA007	33 1/16W	[M]
R1102	D0GB152JA007	1.5K 1/16W	[M]
R1103	D0GB183JA007	18K 1/16W	[M]
R1104	ERJ3GEYJ103V	10K 1/16W	[M]
R1105	D0GB222JA041	2.2K 1/16W	[M]
R1106	D0GB104JA007	100K 1/16W	[M]
R1107	ERJ3GEYJ102V	1K 1/16W	[M]
R1109	ERJ3GEYJ102V	1K 1/16W	[M]
R1110	D0GB333JA007	33K 1/16W	[M]
R1201	D0GB330JA007	33 1/16W	[M]
R1202	D0GB152JA007	1.5K 1/16W	[M]
R1203	D0GB183JA007	18K 1/16W	[M]
R1204	ERJ3GEYJ103V	10K 1/16W	[M]
R1205	D0GB222JA041	2.2K 1/16W	[M]
R1206	D0GB104JA007	100K 1/16W	[M]
R1207	ERJ3GEYJ102V	1K 1/16W	[M]
R1209	ERJ3GEYJ102V	1K 1/16W	[M]
R1210	D0GB333JA007	33K 1/16W	[M]
R1302	D0GB471JA041	470 1/16W	[M]
R1303	D0GB475JA007	4.7M 1/16W	[M]
R1304	D0GB223JA041	22K 1/16W	[M]
R1305	ERJ3GEYJ103V	10K 1/16W	[M]
R1309	D0AF471JA039	470 1/4W	[M]
R1313	ERJ3GEYJ103V	10K 1/16W	[M]
R1314	ERJ3GEYJ102V	1K 1/16W	[M]
R1318	ERJ3GEYJ103V	10K 1/16W	[M]
R1327	D0GB472JA041	4.7K 1/16W	[M]
R1328	D0GB153JA007	15K 1/16W	[M]
R1329	D0GB472JA041	4.7K 1/16W	[M]
R1330	ERD2FCVJ4R7T	4.7 1/4W	[M]
R1331	D0GB752JA007	7.5K 1/16W	[M]
R1332	ERJ3GEYJ103V	10K 1/16W	[M]
R1333	ERD2FCVJ4R7T	4.7 1/4W	[M]
R1334	D0GB223JA041	22K 1/16W	[M]
R1335	D0GB152JA007	1.5K 1/16W	[M]
R1337	ERJ3GEYJ103V	10K 1/16W	[M]
R1338	D0GB472JA041	4.7K 1/16W	[M]
R1341	D0GB471JA041	470 1/16W	[M]
R1342	D0GB473JA041	47K 1/16W	[M]
R1343	D0GB332JA007	3.3K 1/16W	[M]
R1344	D0GB273JA007	27K 1/16W	[M]
R1345	ERJ3GEYJ102V	1K 1/16W	[M]
R1371	D0GB223JA041	22K 1/16W	[M]
R1374	D0GB471JA041	470 1/16W	[M]
R1380	ERJ3GEY0R00V	0 1/16W	[M]
R1401	D0GB123JA007	12K 1/16W	[M]
R1402	D0GB274JA007	270K 1/16W	[M]
R1403	ERJ3GEYJ103V	10K 1/16W	[M]
R1404	D0GB223JA041	22K 1/16W	[M]
R1405	ERJ3GEYJ103V	10K 1/16W	[M]
R7028	ERJ3GEY0R00V	0 1/16W	[M]
R7111	ERJ3GEYJ103V	10K 1/16W	[M]
R7211	D0GB823JA007	82K 1/16W	[M]
R7212	D0GB821JA007	820 1/16W	[M]
R7214	D0GB471JA041	470 1/16W	[M]
R7217	ERJ3GEYJ102V	1K 1/16W	[M]
R7218	ERJ3GEYJ102V	1K 1/16W	[M]
R7220	D0GB105JA007	1M 1/16W	[M]
R7221	D0GB101JA007	100 1/16W	[M]
R7253	D0GB100JA007	10 1/16W	[M]
R7254	ERJ3GEYJ102V	1K 1/16W	[M]
R7315	D0GB332JA007	3.3K 1/16W	[M]
R7323	D0GB332JA007	3.3K 1/16W	[M]
R7325	D0GB331JA007	330 1/16W	[M]
R7327	ERJ3GEYJ102V	1K 1/16W	[M]
R7328	ERJ3GEYJ103V	10K 1/16W	[M]
R7329	ERJ3GEYJ102V	1K 1/16W	[M]
R7330	D0GB562JA007	5.6K 1/16W	[M]
R7331	D0GB223JA041	22K 1/16W	[M]
R7332	ERJ3GEYJ102V	1K 1/16W	[M]

Ref. No.	Part No.	Part Name & Description	Remarks
R7335	D0GB101JA007	100 1/16W	[M]
R7336	D0GB100JA007	10 1/16W	[M]
R7339	ERJ3GEYJ102V	1K 1/16W	[M]
R7349	D0GB183JA007	18K 1/16W	[M]
R7601	D0GB4R7JA007	4.7 1/16W	[M]
R7650	D0GB5R6JA007	5.6 1/16W	[M]
W7001	ERJ6GEY0R00V	CHIP JUMPER	[M]
W7002	ERJ6GEY0R00V	CHIP JUMPER	[M]
W7003	ERJ6GEY0R00V	CHIP JUMPER	[M]
W7004	ERJ3GEY0R00V	CHIP JUMPER	[M]
W7005	ERJ3GEY0R00V	CHIP JUMPER	[M]
W7006	ERJ6GEY0R00V	CHIP JUMPER	[M]
W7007	ERJ6GEY0R00V	CHIP JUMPER	[M]
W7008	ERJ6GEY0R00V	CHIP JUMPER	[M]
W7009	ERJ3GEY0R00V	CHIP JUMPER	[M]
W7010	ERJ3GEY0R00V	CHIP JUMPER	[M]
W7011	ERJ3GEY0R00V	CHIP JUMPER	[M]
W7012	ERJ3GEY0R00V	CHIP JUMPER	[M]
W7013	ERJ3GEY0R00V	CHIP JUMPER	[M]
W7014	ERJ3GEY0R00V	CHIP JUMPER	[M]
W7015	ERJ3GEY0R00V	CHIP JUMPER	[M]
W7016	ERJ3GEY0R00V	CHIP JUMPER	[M]
W7017	ERJ3GEY0R00V	CHIP JUMPER	[M]
W7018	ERJ3GEY0R00V	CHIP JUMPER	[M]
W7019	ERJ3GEY0R00V	CHIP JUMPER	[M]
W7020	ERJ3GEY0R00V	CHIP JUMPER	[M]
W7021	ERJ3GEY0R00V	CHIP JUMPER	[M]
W7022	ERJ3GEY0R00V	CHIP JUMPER	[M]
W7023	ERJ3GEY0R00V	CHIP JUMPER	[M]
W7024	ERJ3GEY0R00V	CHIP JUMPER	[M]
W7025	ERJ3GEY0R00V	CHIP JUMPER	[M]
W7026	ERJ3GEY0R00V	CHIP JUMPER	[M]
W7027	ERJ3GEY0R00V	CHIP JUMPER	[M]
WA400	ERJ6GEY0R00V	CHIP JUMPER	[M]
WA401	ERJ8GEY0R00V	CHIP JUMPER	[M]
WA402	ERJ8GEY0R00V	CHIP JUMPER	[M]
WA403	ERJ6GEY0R00V	CHIP JUMPER	[M]
WA404	ERJ8GEY0R00V	CHIP JUMPER	[M]
WA405	ERJ6GEY0R00V	CHIP JUMPER	[M]
WA406	ERJ3GEY0R00V	CHIP JUMPER	[M]
WA407	ERJ3GEY0R00V	CHIP JUMPER	[M]
WA408	ERJ3GEY0R00V	CHIP JUMPER	[M]
WA409	ERJ8GEY0R00V	CHIP JUMPER	[M]
WA410	ERJ6GEY0R00V	CHIP JUMPER	[M]
WA411	ERJ3GEY0R00V	CHIP JUMPER	[M]
WA412	ERJ6GEY0R00V	CHIP JUMPER	[M]
WA413	ERJ8GEY0R00V	CHIP JUMPER	[M]
WA414	ERJ6GEY0R00V	CHIP JUMPER	[M]
WA416	ERJ6GEY0R00V	CHIP JUMPER	[M]
WA417	ERJ3GEY0R00V	CHIP JUMPER	[M]
WA418	ERJ3GEY0R00V	CHIP JUMPER	[M]
WA419	ERJ3GEY0R00V	CHIP JUMPER	[M]
WA420	ERJ3GEY0R00V	CHIP JUMPER	[M]
WA421	ERJ3GEY0R00V	CHIP JUMPER	[M]
WA424	ERJ6GEY0R00V	CHIP JUMPER	[M]
WA425	ERJ6GEY0R00V	CHIP JUMPER	[M]
WA426	ERJ3GEY0R00V	CHIP JUMPER	[M]
WA427	ERJ3GEY0R00V	CHIP JUMPER	[M]
WA429	ERJ8GEY0R00V	CHIP JUMPER	[M]
WA430	ERJ3GEY0R00V	CHIP JUMPER	[M]
WA431	ERJ3GEY0R00V	CHIP JUMPER	[M]
WA432	ERJ3GEY0R00V	CHIP JUMPER	[M]
WA434	ERJ3GEY0R00V	CHIP JUMPER	[M]
WA435	ERJ3GEY0R00V	CHIP JUMPER	[M]
WA436	ERJ3GEY0R00V	CHIP JUMPER	[M]
WA501	ERJ3GEY0R00V	CHIP JUMPER	[M]
WA502	ERJ3GEY0R00V	CHIP JUMPER	[M]
WA505	ERJ3GEY0R00V	CHIP JUMPER	[M]
WA544	ERJ3GEY0R00V	CHIP JUMPER	[M]
WA545	ERJ3GEY0R00V	CHIP JUMPER	[M]
WA641	ERJ3GEY0R00V	CHIP JUMPER	[M]

Ref. No.	Part No.	Part Name & Description	Remarks
WA642	ERJ3GEY0R00V	CHIP JUMPER	[M]
WA644	ERJ6GEY0R00V	CHIP JUMPER	[M]
WA646	ERJ3GEY0R00V	CHIP JUMPER	[M]
WA648	ERJ6GEY0R00V	CHIP JUMPER	[M]
WA649	ERJ3GEY0R00V	CHIP JUMPER	[M]
WA650	ERJ6GEY0R00V	CHIP JUMPER	[M]
WA651	ERJ6GEY0R00V	CHIP JUMPER	[M]
WA652	ERJ6GEY0R00V	CHIP JUMPER	[M]
WA653	ERJ6GEY0R00V	CHIP JUMPER	[M]
WA654	ERJ6GEY0R00V	CHIP JUMPER	[M]
WA656	ERJ6GEY0R00V	CHIP JUMPER	[M]
WA657	ERJ6GEY0R00V	CHIP JUMPER	[M]
WA658	ERJ6GEY0R00V	CHIP JUMPER	[M]
WB501	ERJ8GEY0R00V	CHIP JUMPER	[M]
WB502	ERJ6GEY0R00V	CHIP JUMPER	[M]
WB504	ERJ6GEY0R00V	CHIP JUMPER	[M]
WB505	ERJ6GEY0R00V	CHIP JUMPER	[M]
WB506	ERJ6GEY0R00V	CHIP JUMPER	[M]
WB508	ERJ6GEY0R00V	CHIP JUMPER	[M]
WB510	ERJ8GEY0R00V	CHIP JUMPER	[M]
WB511	ERJ6GEY0R00V	CHIP JUMPER	[M]
WB512	ERJ6GEY0R00V	CHIP JUMPER	[M]
WB513	ERJ8GEY0R00V	CHIP JUMPER	[M]
WB515	ERJ8GEY0R00V	CHIP JUMPER	[M]
WB516	ERJ6GEY0R00V	CHIP JUMPER	[M]
WB517	ERJ6GEY0R00V	CHIP JUMPER	[M]
WB518	ERJ6GEY0R00V	CHIP JUMPER	[M]
WB519	ERJ6GEY0R00V	CHIP JUMPER	[M]
WB536	ERJ6GEY0R00V	CHIP JUMPER	[M]
		CAPACITORS	
C11	F1D1E103A001	0.01 25V	[M]
C12	F2A1C101A234	100P 16V	[M]
C21	F1D1E103A001	0.01 25V	[M]
C22	F2A1C101A234	100P 16V	[M]
C200	ECA1CAK101XB	100 16V	[M]
C201	ECJ1VC1H102J	1000P 50V	[M]
C202	ECJ1VC1H102J	1000P 50V	[M]
C203	F1H1H221A748	220P 50V	[M]
C204	F1H1H221A748	220P 50V	[M]
C205	F1H1H221A748	220P 50V	[M]
C206	F1H1H221A748	220P 50V	[M]
C207	F1H1H102A219	1000P 50V	[M]
C208	F1H1H102A219	1000P 50V	[M]
C209	F1H1H102A219	1000P 50V	[M]
C210	F1H1H102A219	1000P 50V	[M]
C211	ECA1CAK100XB	10 16V	[M]
C212	ECA1CAK100XB	10 16V	[M]
C213	ECA1CAK100XB	10 16V	[M]
C214	ECA1CAK100XB	10 16V	[M]
C215	ECA1CAK100XB	10 16V	[M]
C216	ECA1CAK100XB	10 16V	[M]
C217	ECA1CAK100XB	10 16V	[M]
C218	ECA1CAK100XB	10 16V	[M]
C219	ECA1HAKR22XB	0.22 50V	[M]
C220	ECA1HAKR22XB	0.22 50V	[M]
C221	ECA1CAK100XB	10 16V	[M]
C222	ECA1CAK100XB	10 16V	[M]
C223	ECJ1VB1H472K	4700P 50V	[M]
C224	ECJ1VB1H472K	4700P 50V	[M]
C225	ECJ1VF1H473Z	0.047 50V	[M]
C226	ECJ1VF1H473Z	0.047 50V	[M]
C227	F1H1C104A041	0.1 16V	[M]
C228	F1H1C104A041	0.1 16V	[M]
C229	F1H1H473A748	0.047 50V	[M]
C230	ECA1HAK4R7XB	4.7 50V	[M]
C231	ECJ2FB1A105K	1 10V	[M]
C232	ECA1HAKR47XB	0.47 50V	[M]
C233	F1H1C104A041	0.1 16V	[M]
C234	ECJ1VB1C473K	0.047 16V	[M]
C235	ECJ1VB1C473K	0.047 16V	[M]

Ref. No.	Part No.	Part Name & Description	Remarks
C236	F1H1C104A041	0.1 16V	[M]
C237	F1H1H221A748	220P 50V	[M]
C238	F1H1H221A748	220P 50V	[M]
C239	ECA1CAK101XB	100 16V	[M]
C240	ECA1CAK101XB	100 16V	[M]
C241	ECA1CAK100XB	10 16V	[M]
C242	ECA1CAK100XB	10 16V	[M]
C243	ECA1HAKR47XB	0.47 50V	[M]
C244	ECA1HAKR47XB	0.47 50V	[M]
C245	F1H1H101A230	100P 50V	[M]
C246	F1H1H101A230	100P 50V	[M]
C247	ECJ1VC1H270J	27P 50V	[M]
C248	ECJ1VC1H270J	27P 50V	[M]
C249	ECQB1H103JF3	0.01 50V	[M]
C250	F1H1H103A219	0.01 50V	[M]
C251	ECJ1VB1H122K	1200P 50V	[M]
C252	ECJ1VB1H122K	1200P 50V	[M]
C253	ECA1HAKR47XB	0.47 50V	[M]
C254	ECA1HAKR47XB	0.47 50V	[M]
C255	F1H1H103A219	0.01 50V	[M]
C256	ECQB1H103JF3	0.01 50V	[M]
C257	ECA1CAK100XB	10 16V	[M]
C258	ECA1CAK100XB	10 16V	[M]
C259	F1H1H102A219	1000P 50V	[M]
C260	F1H1H102A219	1000P 50V	[M]
C263	ECA1HAK3R3XB	3.3 50V	[M]
C264	ECA1HAK3R3XB	3.3 50V	[M]
C265	ECA1CAK100XB	10 16V	[M]
C266	ECA1CAK100XB	10 16V	[M]
C268	ECEA1AKN100B	10 10V	[M]
C269	F1H1H332A013	3300P 50V	[M]
C270	F1H1H332A013	3300P 50V	[M]
C271	F1H1E223A002	0.022 25V	[M]
C272	F1H1E223A002	0.022 25V	[M]
C273	ECA1CAM471XB	470 16V	[M]
C281	F1H1E223A002	0.022 25V	[M]
C282	F1H1E223A002	0.022 25V	[M]
C300	ECA1HAK2R2XB	2.2 50V	[M]
C301	ECA1AAK221XB	220 10V	[M]
C302	ECA1CAK330XB	33 16V	[M]
C303	ECA0JAK101XB	100 6.3V	[M]
C304	F1H1H104A783	0.1 50V	[M]
C320	ECA1CAK100XB	10 16V	[M]
C321	F1H1H471A219	470P 50V	[M]
C322	F2A1C470A234	47P 16V	[M]
C323	ECJ1VB1H561K	560P 50V	[M]
C324	ECJ1VC1H102J	1000P 50V	[M]
C325	F2A1C470A234	47P 16V	[M]
C326	ECJ1VC1H330J	33P 50V	[M]
C327	ECJ1VC1H330J	33P 50V	[M]
C328	F1H1H104A783	0.1 50V	[M]
C330	F1H1E223A002	0.022 25V	[M]
C331	F1H1H221A748	220P 50V	[M]
C350	ECEA1AKA101B	100 10V	[M]
C351	F1H1H104A783	0.1 50V	[M]
C352	ECA0JAK101XB	100 6.3V	[M]
C353	F1H1H102A219	1000P 50V	[M]
C354	F1H1H104A783	0.1 50V	[M]
C355	ECA1HAK2R2XB	2.2 50V	[M]
C380	F1H1H104A783	0.1 50V	[M]
C381	F1H1H104A783	0.1 50V	[M]
C382	F1H1H104A783	0.1 50V	[M]
C401	ECJ1VC1H101K	100P 50V	[M]
C402	F1H1E103A029	0.01 25V	[M]
C403	F1H1H104A783	0.1 50V	[M]
C404	ECA0JAK101XB	100 6.3V	[M]
C405	ECA1AAM102XB	1000 10V	[M]
C407	ECJ1VC1H101K	100P 50V	[M]
C408	ECJ1VC1H101K	100P 50V	[M]
C409	ECA1HAK010XB	1 50V	[M]
C410	ECJ1VC1H101K	100P 50V	[M]
C411	ECA1HAK2R2XB	2.2 50V	[M]
C412	ECJ1VC1H180J	18P 50V	[M]

Ref. No.	Part No.	Part Name & Description	Remarks
C413	ECJ1VC1H220J	22P 50V	[M]
C414	ECJ1VC1H101K	100P 50V	[M]
C415	ECA1AAK220XB	22 10V	[M]
C416	F1H1H103A219	0.01 50V	[M]
C417	ECJ1VB1H561K	560P 50V	[M]
C418	ECJ1VB1H561K	560P 50V	[M]
C419	ECJ1VB1H561K	560P 50V	[M]
C420	ECJ1VB1H561K	560P 50V	[M]
C421	ECJ1VB1H561K	560P 50V	[M]
C422	ECJ1VB1H561K	560P 50V	[M]
C423	ECJ1VB1H561K	560P 50V	[M]
C424	ECJ1VB1H561K	560P 50V	[M]
C425	F1H1H471A219	470P 50V	[M]
C426	F1H1H221A748	220P 50V	[M]
C427	F1H1H221A748	220P 50V	[M]
C501	ECQE2104KF3	0.1 250V	[M]
C502	ECA1JM101B	100 63V	[M]
C503	ECA1JM101B	100 63V	[M]
C504	F1H1H103A730	0.01 50V	[M]
C505	ECA2AM100B	10 100V	[M]
C506	F1H1H103A730	0.01 50V	[M]
C507	ECA1CAM102XB	1000 16V	[M]
C509	ECA1CAK220XB	22 16V	[M]
C510	ECQV1H104JL3	0.1 50V	[M]
C511	ECA1EAM101XB	100 25V	[M]
C512	ECA1CAK220XB	22 16V	[M]
C512	ECA1HAM222XE	2200 50V	[M]
C513	ECA1HAM222XE	2200 50V	[M]
C514	ECA1EAM332XE	3300 25V	[M]
C515	ECA1HAK100XB	10 50V	[M]
C516	F1B2H103A060	0.01 500V	[M]
C517	ECA1CAK100XB	10 16V	[M]
C519	ECA1CAK220XB	22 16V	[M]
C520	ECA1CAK220XB	22 16V	[M]
C521	ECA1HAK3R3XB	3.3 50V	[M]
C522	ECA1CAK100XB	10 16V	[M]
C523	ECA1AAK221XB	220 10V	[M]
C524	F1H1H102A219	1000P 50V	[M]
C539	ECEA1HKAR68B	0.68 50V	[M]
C540	ECEA1HKAR68B	0.68 50V	[M]
C543	ECJ1VC1H821J	820P 50V	[M]
C544	ECJ1VC1H821J	820P 50V	[M]
C547	ECJ1VC1H150J	15P 50V	[M]
C548	ECJ1VC1H150J	15P 50V	[M]
C555	F1H1H104A783	0.1 50V	[M]
C556	F1H1H104A783	0.1 50V	[M]
C557	F1H1H104A783	0.1 50V	[M]
C558	F1H1H104A783	0.1 50V	[M]
C559	F1H1H682A219	6800P 50V	[M]
C560	F1H1H682A219	6800P 50V	[M]
C561	F1H1H471A219	470P 50V	[M]
C562	F1H1H471A219	470P 50V	[M]
C572	ECQV1H104JL3	0.1 50V	[M]
C601	F1H1H471A219	470P 50V	[M]
C602	F1H1H102A219	1000P 50V	[M]
C603	F1H1H103A219	0.01 50V	[M]
C604	F1H1H471A219	470P 50V	[M]
C605	F1H1H102A219	1000P 50V	[M]
C606	ECA1HAK220XB	22 50V	[M]
C607	F1H1H101A230	100P 50V	[M]
C608	ECA1HAK220XB	22 50V	[M]
C609	F1H1H101A230	100P 50V	[M]
C610	ECA1HAK220XB	22 50V	[M]
C611	F1H1H101A230	100P 50V	[M]
C612	F1H1H101A230	100P 50V	[M]
C613	F1H1H101A230	100P 50V	[M]
C614	F1H1H104A783	0.1 50V	[M]
C615	F1H1H101A230	100P 50V	[M]
C616	F1H1H103A219	0.01 50V	[M]
C617	ECA0JAK470XB	47 6.3V	[M]
C618	F1H1H102A219	1000P 50V	[M]
C619	ECA1AAK220XB	22 10V	[M]
C620	F1H1H103A219	0.01 50V	[M]

Ref. No.	Part No.	Part Name & Description	Remarks
C621	F1H1H221A748	220P 50V	[M]
C622	F1H1H221A748	220P 50V	[M]
C623	F1H1H221A748	220P 50V	[M]
C624	ECA1HAK220XB	22 50V	[M]
C625	F1H1H104A783	0.1 50V	[M]
C626	ECJ1VC1H102J	1000P 50V	[M]
C627	ECJ1VC1H102J	1000P 50V	[M]
C628	ECJ1VC1H102J	1000P 50V	[M]
C629	ECJ1VC1H102J	1000P 50V	[M]
C630	ECJ1VC1H102J	1000P 50V	[M]
C631	ECJ1VC1H102J	1000P 50V	[M]
C632	ECJ1VC1H102J	1000P 50V	[M]
C633	ECJ1VC1H102J	1000P 50V	[M]
C634	ECJ1VC1H102J	1000P 50V	[M]
C635	ECJ1VC1H102J	1000P 50V	[M]
C636	ECJ1VC1H102J	1000P 50V	[M]
C700	F1H1E104A029	0.1 25V	[M]
C702	ECJ1VC1H121J	120P 50V	[M]
C703	ECJ1VC1H121J	120P 50V	[M]
C705	ECA1HAM101XB	100 50V	[M]
C707	ECA1HAM101XB	100 50V	[M]
C709	ECA1HAK100XB	10 50V	[M]
C710	ECA1HAK100XB	10 50V	[M]
C726	ECA1CAK330XB	33 16V	[M]
C728	F1B1H103A007	0.01 50V	[M]
C729	ECA1HM330B	33 50V	[M]
C1101	ECA1HAK010XB	1 50V	[M]
C1102	F1H1H471A219	470P 50V	[M]
C1103	ECA1CAK101XB	100 16V	[M]
C1104	F1H1E273A002	0.027 25V	[M]
C1105	F1H1H471A219	470P 50V	[M]
C1106	ECA1HAK2R2XB	2.2 50V	[M]
C1107	F1H1H152A219	1500P 50V	[M]
C1108	ECA1CAK100XB	10 16V	[M]
C1109	ECA1HAK3R3XB	3.3 50V	[M]
C1110	ECJ1VB1H682K	6800P 50V	[M]
C1121	F1H1H102A219	1000P 50V	[M]
C1122	F1H1E103A029	0.01 25V	[M]
C1123	ECJ1VB1H271K	270P 50V	[M]
C1201	ECA1HAK010XB	1 50V	[M]
C1202	F1H1H471A219	470P 50V	[M]
C1203	ECA1CAK101XB	100 16V	[M]
C1204	F1H1E273A002	0.027 25V	[M]
C1205	F1H1H471A219	470P 50V	[M]
C1206	ECA1HAK2R2XB	2.2 50V	[M]
C1207	F1H1H152A219	1500P 50V	[M]
C1208	ECA1CAK100XB	10 16V	[M]
C1209	ECA1HAK3R3XB	3.3 50V	[M]
C1210	ECJ1VB1H682K	6800P 50V	[M]
C1221	F1H1H102A219	1000P 50V	[M]
C1222	F1H1E103A029	0.01 25V	[M]
C1223	ECJ1VB1H271K	270P 50V	[M]
C1301	ECA1HAK0R1XB	0.1 50V	[M]
C1302	F1H1C333A071	0.033 16V	[M]
C1303	F1H1C333A071	0.033 16V	[M]
C1304	F2A1H4R7A014	4.7P 50V	[M]
C1305	ECA1CAK330XB	33 16V	[M]
C1307	ECA1AAK221XQ	220 10V	[M]
C1308	ECA1CAK220XB	22 16V	[M]
C1310	ECA1HAK0R1XB	0.1 50V	[M]
C1311	ECA1CAK470XB	47 16V	[M]
C1312	F1H1H332A013	3300P 50V	[M]
C1314	F1H1H222A013	2200P 50V	[M]
C1315	F1H1H222A013	2200P 50V	[M]
C1316	F1H1H102A219	1000P 50V	[M]
C1317	F1H1H102A219	1000P 50V	[M]
C1318	ECQV1H473JL3	0.047 50V	[M]
C1319	ECA1CAK101XB	100 16V	[M]
C1320	ECA1HAK010XB	1 50V	[M]
C1321	FOA2A472A019	4700P 100V	[M]
C1323	ECEA1HKN010B	1 50V	[M]
C1324	ECA1CAK470XB	47 16V	[M]
C1326	ECA1CAK100XB	10 16V	[M]

Ref. No.	Part No.	Part Name & Description	Remarks
C1371	F1H1E103A029	0.01 25V	[M]
C7102	ECJ1VB1A474K	0.47 10V	[M]
C7107	ECJ1VB1H223K	0.022 50V	[M]
C7142	F1H1H332A013	3300P 50V	[M]
C7154	F1H1C104A041	0.1 16V	[M]
C7155	F1H1C104A041	0.1 16V	[M]
C7161	F1H1C104A041	0.1 16V	[M]
C7164	ECJ2FF1A106Z	10 10V	[M]
C7165	ECJ2FF1A106Z	10 10V	[M]
C7166	F1H1H103A219	0.01 50V	[M]
C7203	F2A0J221A200	220P 6.3V	[M]
C7204	F1H1C104A041	0.1 16V	[M]
C7216	ECJ1VB1H681K	680P 50V	[M]
C7217	F1H1C104A041	0.1 16V	[M]
C7218	ECJ1VB1C823K	0.082 16V	[M]
C7223	ECEA1HKA4R7I	4.7 50V	[M]
C7225	F1H1H102A219	1000P 50V	[M]
C7226	F1H1H102A219	1000P 50V	[M]
C7227	ECA1HAK010XI	1 50V	[M]
C7228	ECA1HAK010XI	1 50V	[M]
C7230	F1H1C104A041	0.1 16V	[M]
C7231	F2A0J221A200	220P 6.3V	[M]
C7232	F2A0J221A200	220P 6.3V	[M]
C7233	F1H1C104A008	0.1 16V	[M]
C7234	F1H1C104A041	0.1 16V	[M]
C7235	ECEA1CKA100I	10 16V	[M]
C7241	F1H1H102A219	1000P 50V	[M]
C7243	F1H1C104A008	0.1 16V	[M]
C7244	ECJ1VB1C153K	0.015 16V	[M]
C7253	F1H1H471A219	470P 50V	[M]
C7263	F1H1C104A041	0.1 16V	[M]
C7264	F1H1C104A041	0.1 16V	[M]
C7315	ECJ1VB1A474K	0.47 10V	[M]
C7334	ECEA1AKA221I	220 10V	[M]
C7335	F1H1C104A008	0.1 16V	[M]
C7338	ECJ1VB1C563K	0.056 16V	[M]
C7339	ECJ1VB1C183K	0.018 16V	[M]
C7352	ECJ1VB1C183K	0.018 16V	[M]
C7601	ECEA0JKA330I	33 6.3V	[M]
C7613	F1H1C104A041	0.1 16V	[M]
C7614	F2A0J101A198	100P 6.3V	[M]
C7626	F1H1C104A041	0.1 16V	[M]
C7670	F1H1C104A041	0.1 16V	[M]