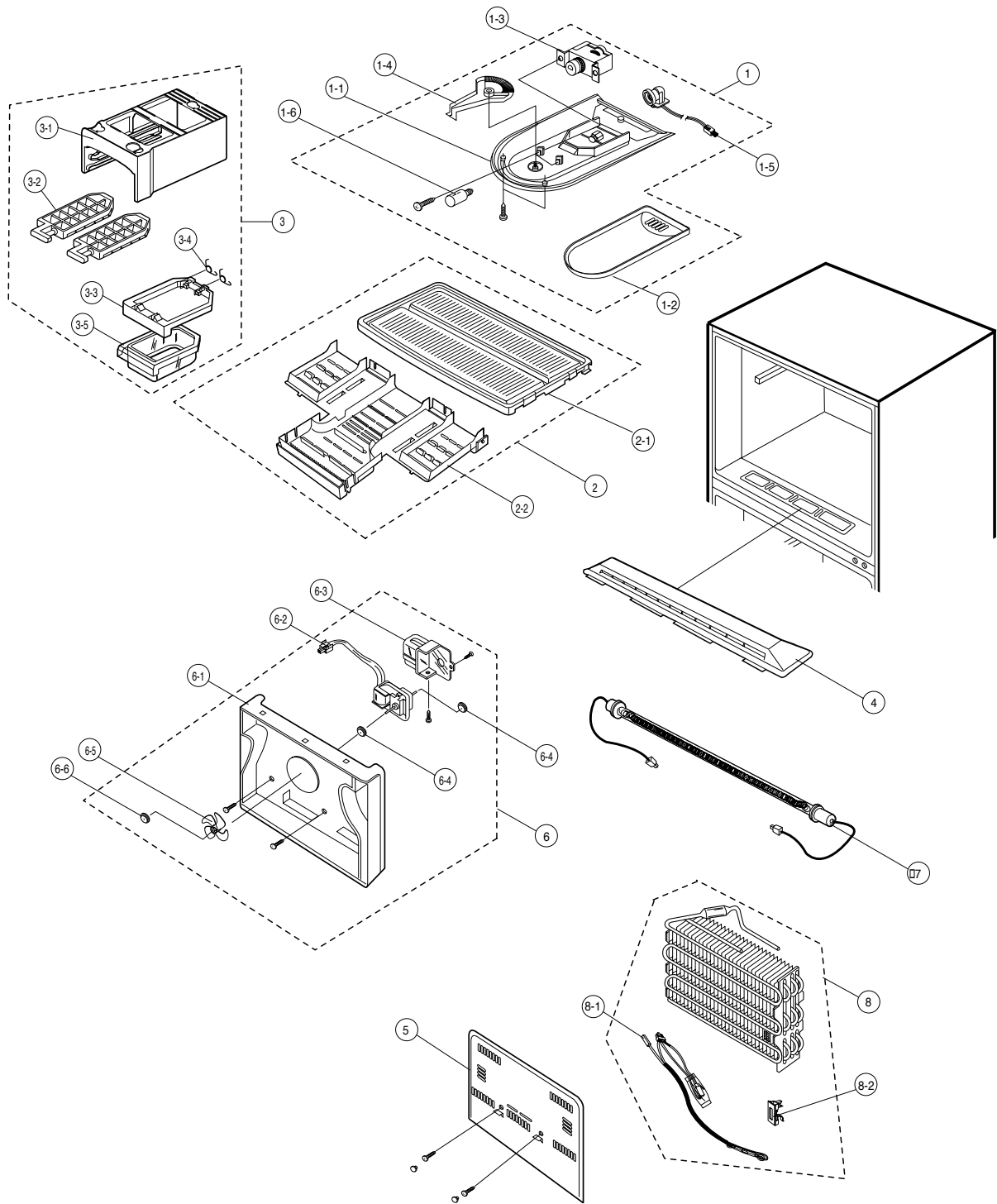


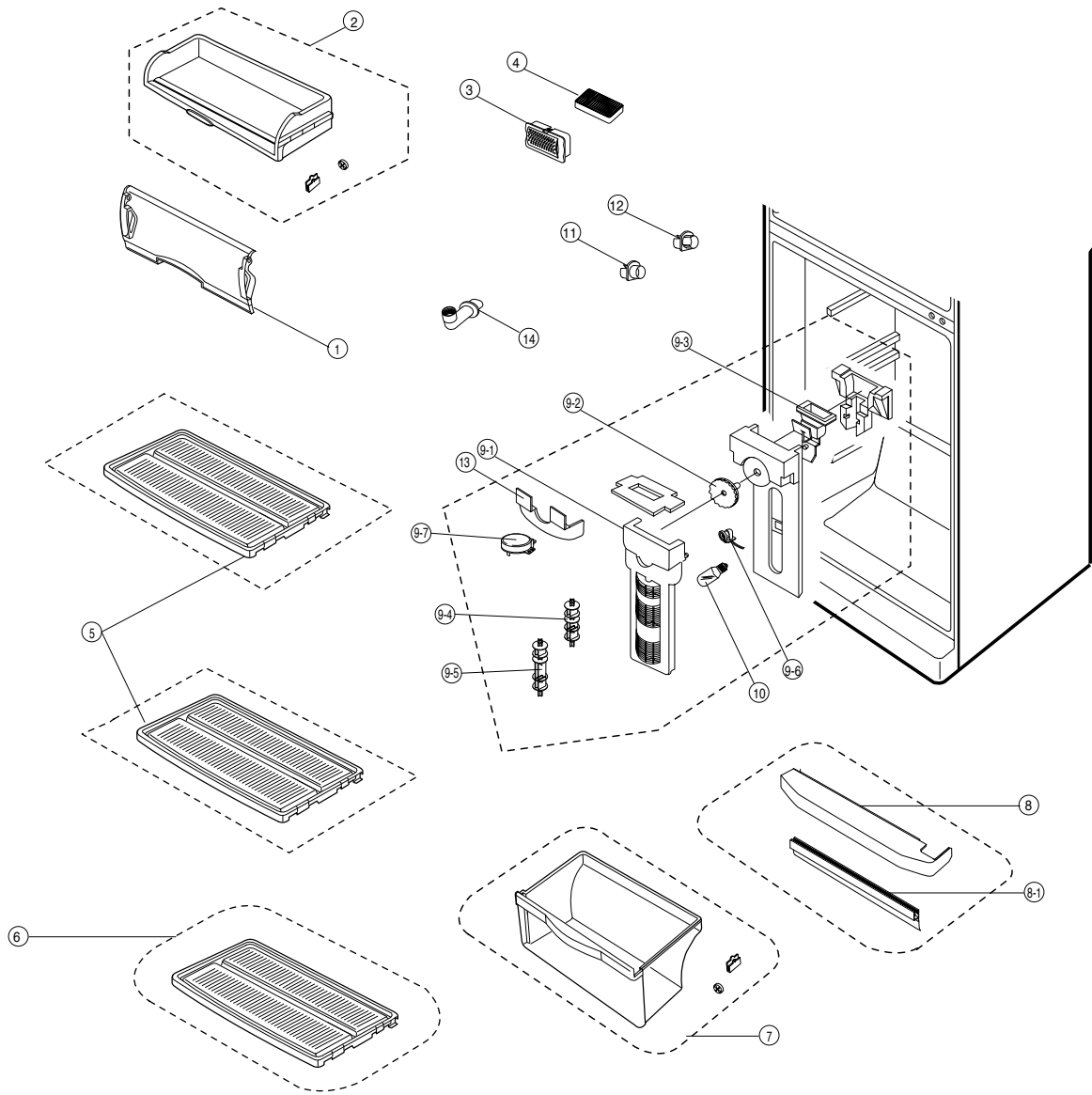
Freezing Compartment



Freezing Compartment

NO	CODE-NO	DESCRIPTION	SPECIFICATION	QTY	REMARK
1	DA67-00058G	CASE THERMO FRE ASSY	110V~127V	1	
	DA63-00058H	“	220V	1	
	DA67-00058G	“	230V~240V	1	
	DA67-00058H	“	230V~240V(EUROPE)	1	
1-1	DA67-10439N	CASE THERMO FRE	S52/57	1	
1-2	DA63-10337D	COVER LAMP FRE	MIPS, S52/57	1	
1-3	DA47-10107F	THERMO-F	PFN 174S-05B	1	
1-4	DA66-30122G	LEVER-THERMO	HIPS, S52/57	1	
1-5	DA47-40112L	LAMP HOLDER	PBT	1	
1-6	4713-000178	LAMP INCANDESCENT	110V~127V	1	
	4713-000213	“	220V~240V	1	
2	DA67-20166E	SHELF FRE ASSY	GPPS	1	
2-1	DA67-20132A	SHELF FRE	GPPS	1	
2-2	DA67-20274A	SHELF FRE(SB)	P.P	1	
3	DA67-40313B	TRAY-ICE ASSY	GPPS	1	
3-1	DA71-70160A	GUIDE-TRAY ICE	P.P	1	
3-2	DA67-40180A	TRAY-ICE	P.P	2	
3-3	DA67-10126D	CASE-TRY ICE	HIPS	1	
3-4	DA61-20119A	SPRING-ICE MAKER	PI1.0	2	
3-5	DA67-10210E	TRAY-ICE CUBE	GPPS	1	
4	DA63-10886A	COVER AIR FRE	HIPS	1	
5	DA63-10884J	COVER EVAP FRE ASSY	HIPS	1	
6	DA63-10887Q	ASSY COVER EVAP FRE	110V~120V	1	
	DA63-10887N	“	127V	1	
	DA63-10887P	“	220V~240V	1	
6-1	DA63-10888A	COVER EVAP FRE	P.P	1	
6-2	DA31-10109H	MOTOR-FAN	110V~120V	1	
	DA31-10109R	“	127V	1	
	DA31-10887P	“	220V~240V	1	
6-3	DA63-10364A	COVER-MOTOR	P.P	1	
6-4	DA63-40119A	GROMMET-MOTOR	NBR	2	
6-5	DA31-20002A	FAN-SIROCCO	ABS	1	
6-6	DA61-20128C	SPRING FAN	STS27	1	
7	DA47-20195S	HEATER DEFROST	110V~120V	1	
	DA47-20195T	“	127V	1	
	DA47-20195Q	“	220V	1	
	DA47-20195R	“	230V~240V	1	
8	DA59-00010B	EVAP ASSY	AL100P, S52/57	1	
8-1	DA47-10150F	BIMETAL THERMO	125V/250V	1	
8-2	DA71-20265A	FIXER THERMO FUSE	P.P	1	

Refrigerating Compartment



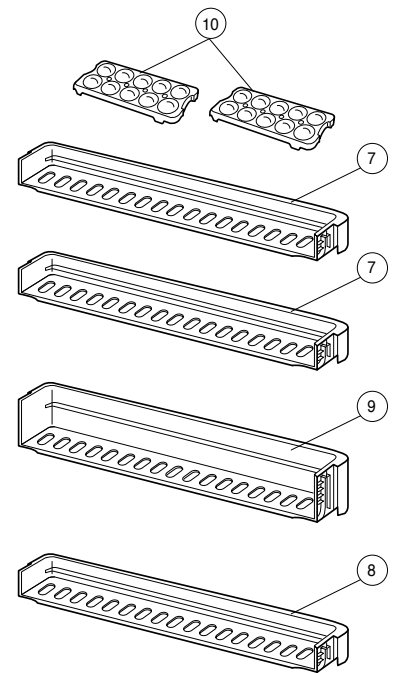
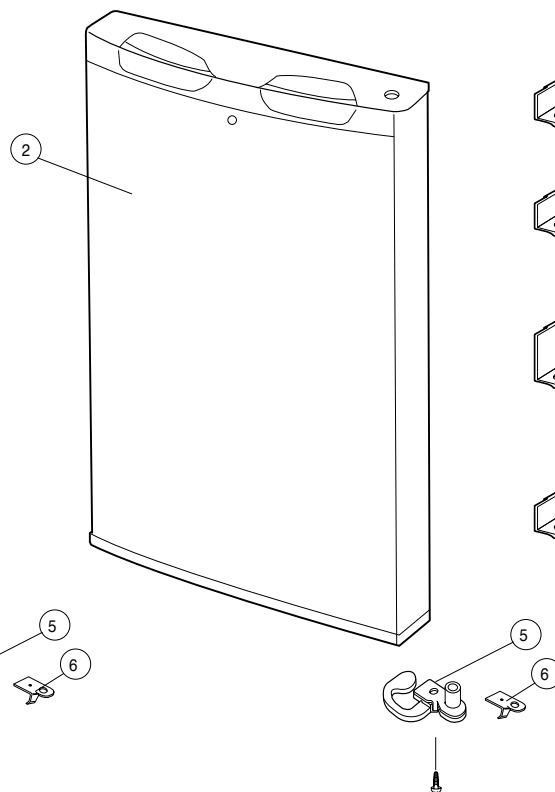
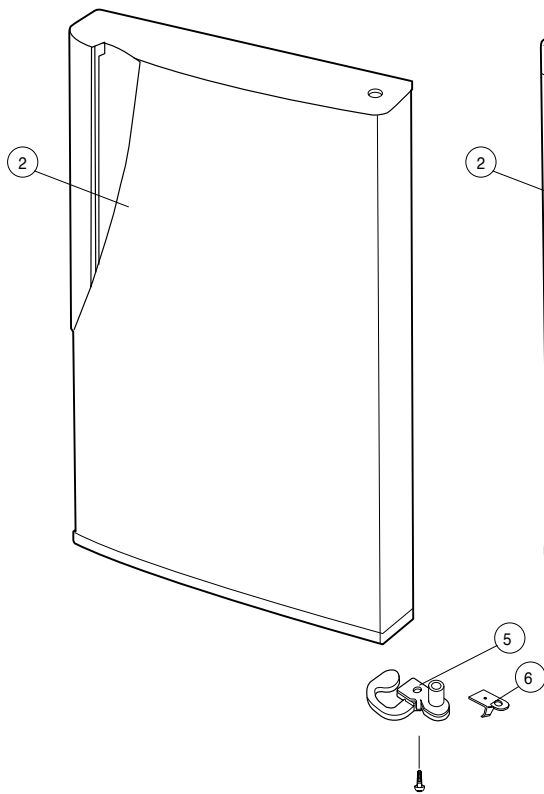
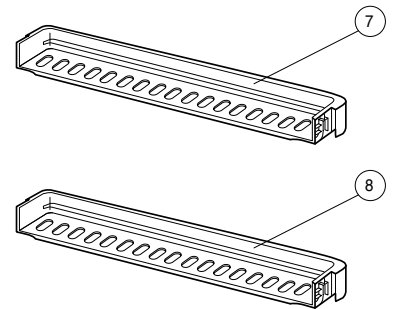
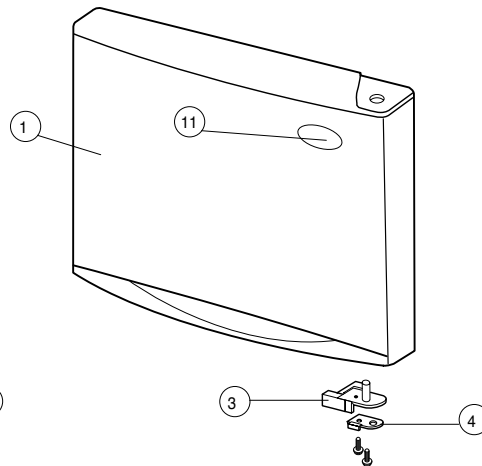
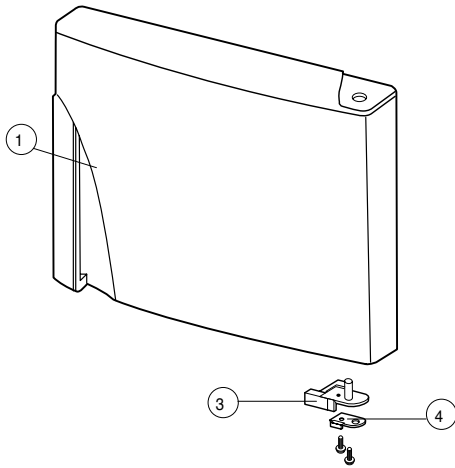
Refrigerating Compartment

NO	CODE-NO	DESCRIPTION	SPECIFICATION	QTY	REMARK
1	DA63-11026A	COVER CHILLED ROOM ASS	GPPS, S52/57	1	
2	DA67-40286A	TRAY CHILLED ROOM ASSY	GPPS, S52/57	1	
3	DA63-11036A	COVER PURIFIER	P.P	1	
4	DA62-90106K	CATALYST LTC	LTC	1	
5	DA67-20182L	SHELF REF ASSY	GPPS, S52/57	2	H-OPTION
	DA67-20348A	"	ABS+GLASS	2	G-OPTION
6	DA67-20273C	SHELF REF LOW ASSY	GPPS, S52/57	1	H-OPTION
	DA63-11110A	"	ABS+GLASS	1	G-OPTION
7	DA67-10397A	CASE VEG ASSY	GPPS, NTR	1	
8	DA63-11015C	COVER LEG FRONT	P.P, METAL GRAY	1	
	DA63-11015D	"	P.P, SNOW WHITE	1	
	DA63-11015A	"	P.P, NOBLE BEIGE	1	
8-1	DA64-20138C	TRIM PLATE ABSORBER	PVC	1	
9	DA63-11116V	COVER DUCT ASSY	S52,X-FLOW,(EUROPE)	1	220V~240V
	DA63-11116U	"	S57,X-FLOW,(EUROPE)	1	220V~240V
	DA63-11116L	"	S52,X-FLOW	1	220V~240V
	DA63-11116R	"	S57,X-FLOW	1	220V~240V
	DA63-11116K	"	S52,X-FLOW	1	110V~127V
	DA63-11116Q	"	S57,X-FLOW	1	110V~127V
9-1	DA63-10881E	COVER DUCT	HIPS, S52/57	1	
9-2	DA64-40158N	KNOB THERMO DAMPER	ABS, S57	1	
	DA64-40158H	"	ABS, S52	1	
9-3	DA67-10264D	CASE THERMO ASSY	D705-E10C	1	
9-4	DA31-20124E	BLADE-DAMPER(A)	ABS, S52/57	1	
9-5	DA31-20124F	BLADE-DAMPER(B)	ABS, S52/57	1	
9-6	DA47-40114E	LAMP HOLDER	PBT,(EUROPE)	1	
	DA47-40114L	"	PBT	1	
9-7	DA31-10107D	MOTOR-GEARED	M2LC18AR01	1	220V~240V
	DA31-10107E	"	M2BC18AR01	1	110V~127V
10	4713-000213	LAMP-INCANDESCENT	220V~240V	1	
	4713-001035	"	110V~127V	1	
11	DA63-40129A	GROMMET CHILLED L	ABS	1	
12	DA63-40131A	GROMMET CHILLED R	ABS	1	
13	DA63-10395B	COVER LAMP REF	MIPS	1	
14	DA74-30234C	DRAIN HOSE	NBR	1	

Door Compartment

HANDLE : A-TYPE

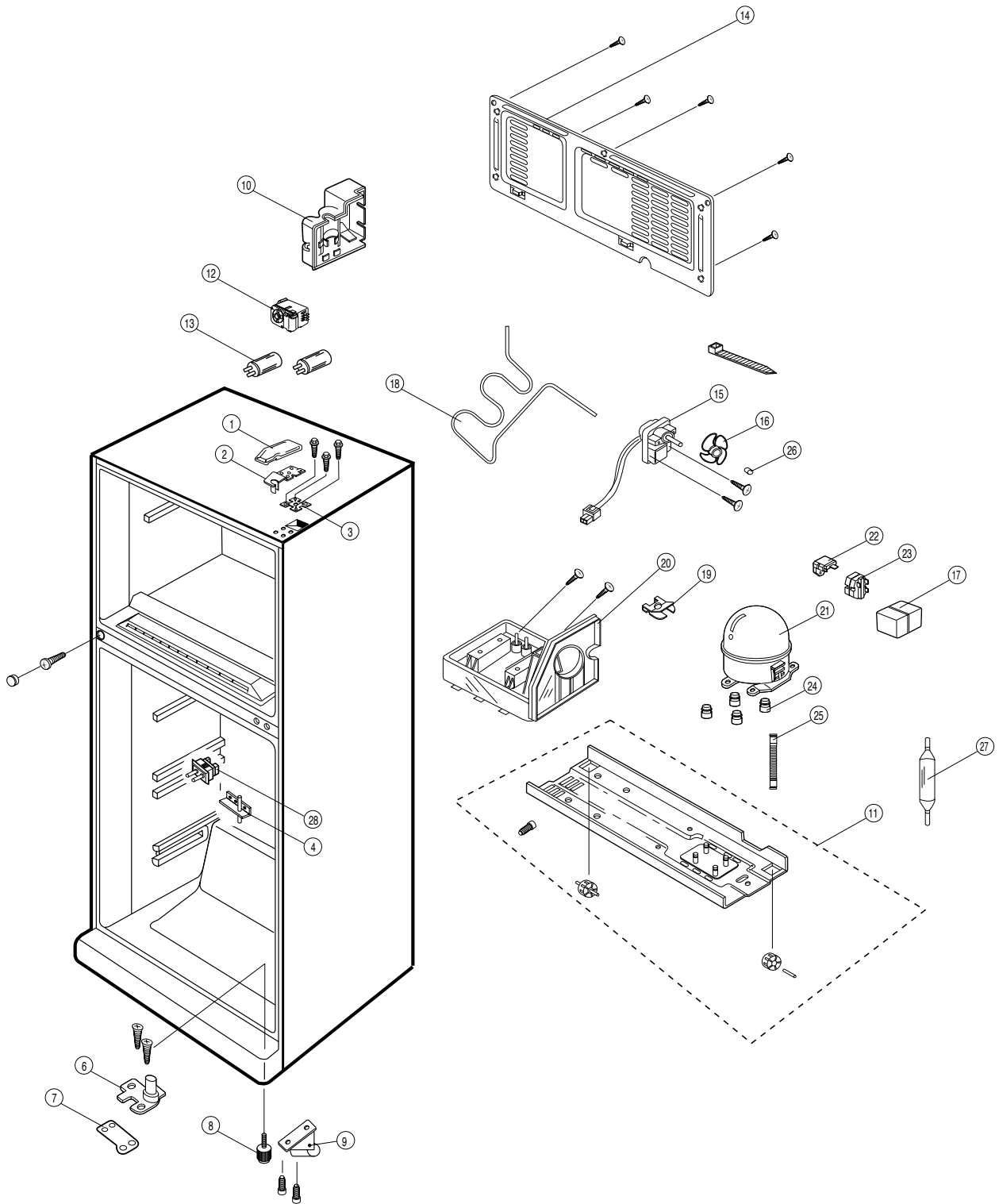
HANDLE : B-TYPE



Door Compartment

NO	CODE-NO	DESCRIPTION	SPECIFICATION	Q'TY	REMARK	
1	DA91-10303J	ASSY DOOR FOAM FRE	SR52, SNOW WHITE	1	HANDLE TYPE:A	
	DA91-10303L	"	SR52, SNOW WHITE	1	HANDLE TYPE:B	
	DA91-10311T	"	SR52, METAL GRAY	1	HANDLE TYPE:A	
	DA91-00562C	"	SR52, METAL GRAY	1	HANDLE TYPE B	
	DA91-10303E	"	SR52, NOBLE BEIGE	1	HANDLE TYPE:A	
	DA91-10311B	"	SR52, NOBLE BEIGE	1	HANDLE TYPE:B	
	DA91-10303S	"	SR57, SNOW WHITE	1	HANDLE TYPE:A	
	DA91-10303U	"	SR57, SNOW WHITE	1	HANDLE TYPE:B	
	DA91-10311S	"	SR57, METAL GRAY	1	HANDLE TYPE:A	
	DA91-00562D	"	SR57, METAL GRAY	1	HANDLE TYPE:B	
	DA91-10303U	"	SR57, NOBLE BEIGE	1	HANDLE TYPE:A	
	DA91-10311A	"	SR57, NOBLE BEIGE	1	HANDLE TYPE:B	
	2	DA91-10304J	ASSY DOOR FOAM REF	SR52, SNOW WHITE	1	HANDLE TYPE:A
		DA91-10304E	"	SR52, SNOW WHITE	1	HANDLE TYPE:B
DA91-10346K		"	SR52, METAL GRAY	1	HANDLE TYPE:A	
DA91-10346S		"	SR52, METAL GRAY	1	HANDLE TYPE:B	
DA91-10304E		"	SR52, NOBLE BEIGE	1	HANDLE TYPE:A	
DA91-10312B		"	SR52, NOBLE BEIGE	1	HANDLE TYPE:B	
DA91-10340A		"	SR57, SNOW WHITE	1	HANDLE TYPE:A	
DA91-10304W		"	SR57, SNOW WHITE	1	HANDLE TYPE:B	
DA91-10346J		"	SR57, METAL GRAY	1	HANDLE TYPE:A	
DA91-10346T		"	SR57, METAL GRAY	1	HANDLE TYPE:B	
DA91-10304W		"	SR57, NOBLE BEIGE	1	HANDLE TYPE:A	
DA91-10312A		"	SR57, NOBLE BEIGE	1	HANDLE TYPE:B	
3		DA71-40169F	STOPPER DOOR FRE	POM, SNOW WHITE	1	
		DA71-40169F	"	POM, METAL GRAY	1	
	DA71-40169B	"	POM, NOBLE BEIGE	1		
4	DA71-40133C	STOPPER DOOR C	SCP1	1		
5	DA71-40183A	STOPPER DOOR	POM, NOBLE BEIGE	1		
	DA71-40183C	"	POM, SNOW WHITE	1		
	DA71-40183B	"	POM, METAL GRAY	1		
6	DA71-40135A	STOPPER MID	STS304	1		
7	DA63-20123J	GUARD FRE UPP	GPPS	3		
8	DA63-20124K	GUARD FRE LOW	GPPS	2		
9	DA63-20125K	GUARD BOTTLE	GPPS	1		
10	DA67-40157A	TRAY EGG	GPPS	2		
11	DA68-50228B	INLAY MASCOT	SAMSUNG	1		

Cabinet & Unit Compartment



Cabinet & Unit Compartment

NO	CODE-NO	DESCRIPTION	SPECIFICATION	Q'TY	REMARK
1	DA63-10920H	COVER HINGE UPP	HIPS, SNOW WHITE	1	
	DA63-10920C	"	HIPS, METAL GRAY	1	
	DA63-10920B	"	HIPS, NOBLE BEIGE	1	
2	DA61-10205A	HINGE UPP	SCP1	1	
3	DA63-50145B	SHIM-HINGE UPP	RD-PVC	1	
4	DA61-10147D	HINGE MID	SM10C	1	
5	DA63-50141A	SHIM-HINGE MID	RD-PVC	1	
6	DA61-10145D	HINGE LOW	SHP1	1	
7	DA63-50146A	SHIM-HINGE LOW	RD-PVC	1	
8	DA61-30127B	FOOT-ASSY	P.P	2	
9	DA61-40115B	CASTER-FRONT	ASSY	1	
10	DA67-10476B	CASE-JUNCTION	P.P	1	
11	DA71-60123E	CHASSIS COMP ASSY	SBHG1	1	
12	DA45-10003C	TIMER-DEFROST	220V~240V/6HR40M	1	
	DA45-10003A	"	110V~127V/6HR40M	1	
13	2501-000413	CAPACITOR-RUNNING	250VAC/8 μ s	1	110V~127V
	2501-000422	CAPACITOR-STARTING	125VAC/125 μ s	1	110V~127V
	2501-001091	CAPACITOR-RUNNING	350VAC/5 μ s	1	220V~240V
14	DA63-10243Q	COVER COMP ASSY	SBHG1	1	
15	DA31-10110G	MOTOR CIRCUIT	IS3208-SCH6A	1	110V~120V
	DA31-10110L	"	IS3208-SCO6A	1	127V
	DA31-10110F	"	IS3208-SCF7A	1	220V
	DA31-10110H	"	IS3208-SCLOA	1	230V~240V
16	DA31-20002A	FAN	ABS	1	
17	DA63-10352A	COVER RELAY	HOOKTYPE	1	
18	DA73-10626C	PIPE-CONDENSER ASSY	CU	1	
19	DA65-20101B	CLAMP COMP	STS5	2	
20	DA67-40176F	TRAY DRAIN WATER ASSY	P.P	1	
21	DA59-50030A	COMPRESSOR	SK170C-L2W	1	110V~120V
	DA59-50039A	"	SK170P-L2W	1	127V
	DA59-50012A	"	SK182H-L2U	1	220V
	DA59-50013A	"	SK182Q-L2U	1	230V~240V
22	DA34-10003R	PROTECTOR O/L	4TM427PHBYY-53	1	110V/127V
	DA34-10003N	"	4TM308PHBYY-53	1	220V
	DA34-10003K	"	4TM232SHBYY-53	1	230V~240V
23	DA35-10013F	PTC RELAY	J531Q33E100M2003	1	110V~127V
	DA35-10013E	"	J531Q34E220M3502	1	220V
	DA35-10013B	"	J531Q35E330M3852	1	230V~240V
24	DA63-40004A	GROMMET COMP	MBR	4	
25	DA74-30229A	DRAIN HOSE	HDPE,SR52	1	
	DA74-30229B	"	HDPE,SR57	1	
26	DA61-20128C	SPRING FAN	STS27	1	
27	DA73-30102B	DRYER ASSY	CU,OD18.85L102	1	
28	DA34-10122D	SWITCH DOOR	SSD-6,250V,0.7A	1	

Indicated part is for electrical safety components