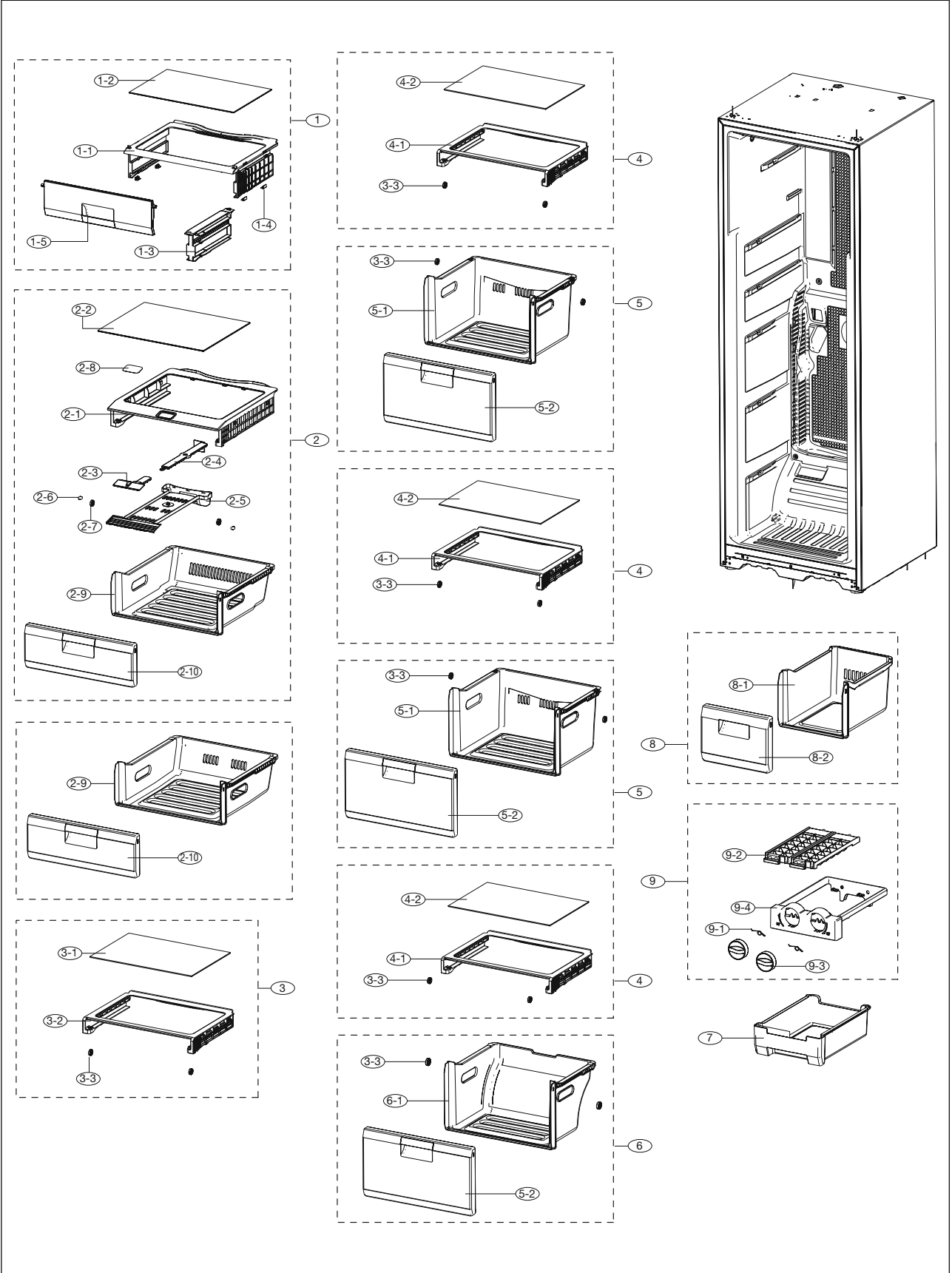


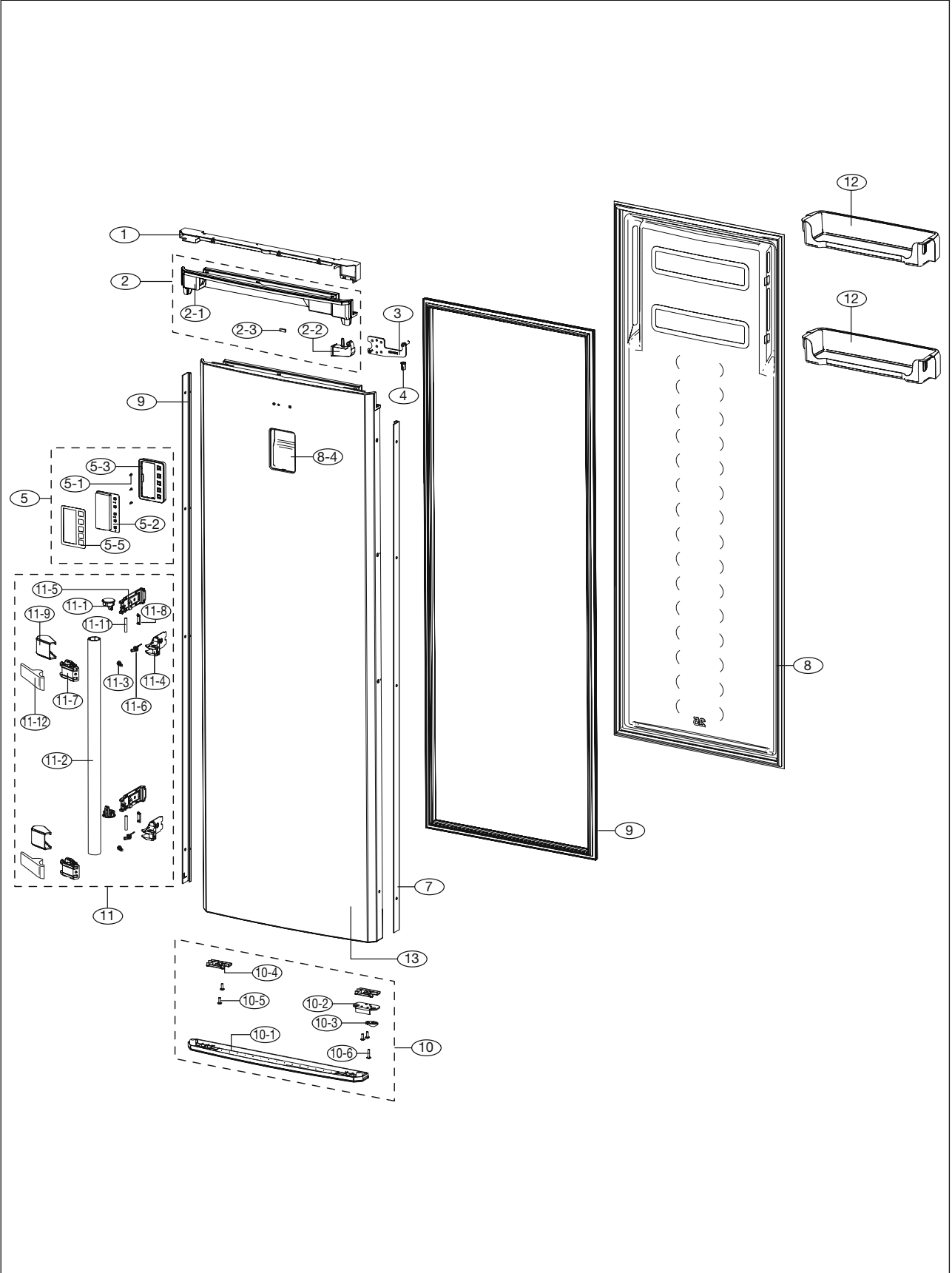
5. EXPLODED VIEW & PART LIST

5-1. Freezer



5. EXPLODED VIEW & PART LIST

5-2. Door



5. EXPLODED VIEW & PART LIST

5-3. Cabinet

