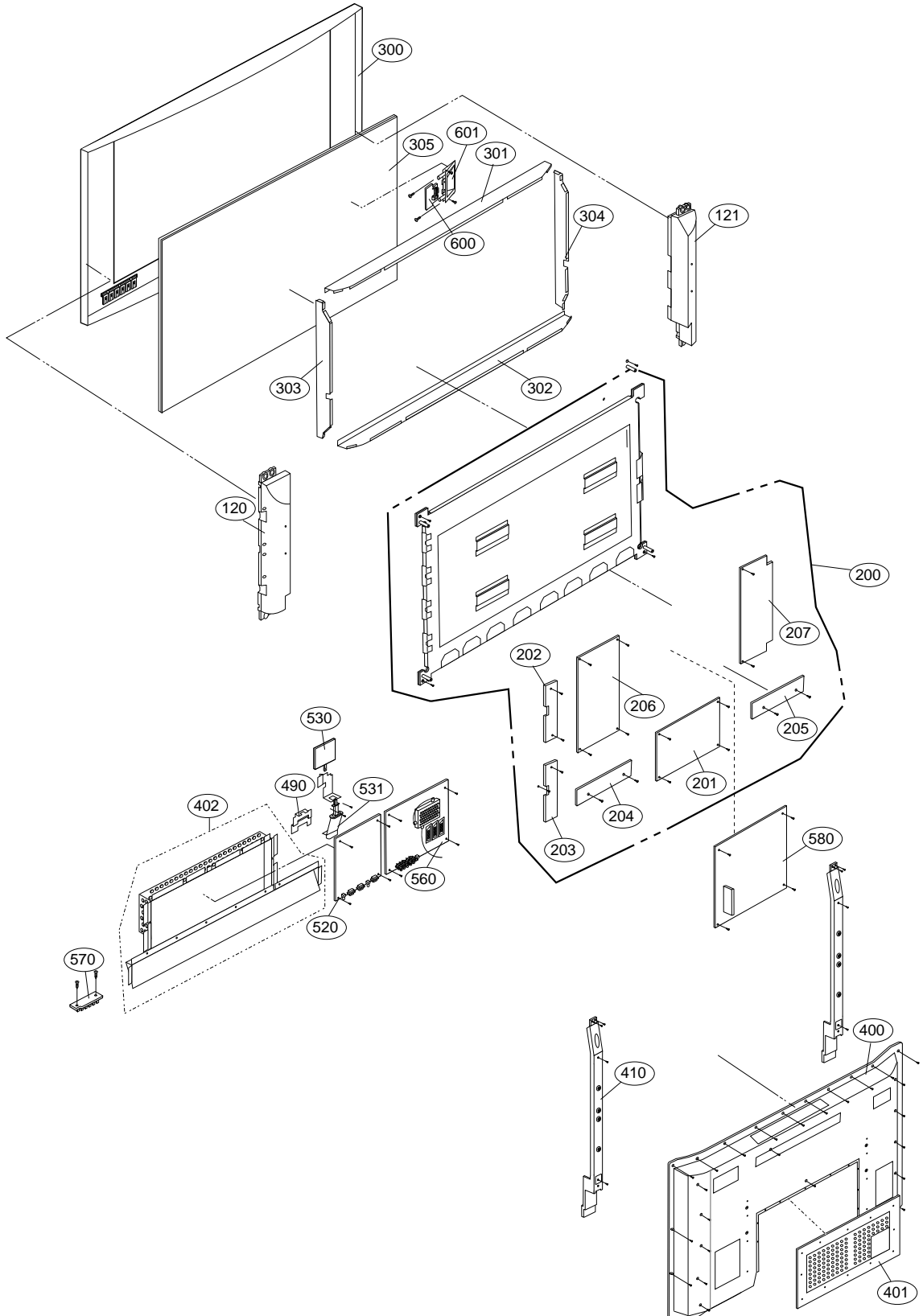


EXPLODED VIEW



EXPLODED VIEW PARTS LIST

No.	Part No.	Description
120	6401VD0013F	SPEAKER ASSEM, BLYFULL RANGE(L) RZ-42PX10 SKD
121	6401VD0013E	SPEAKER ASSEMBLY, FULL RANGE(R) RZ-42PX10 SKD
200	6348Q-E053W	PDP, 42" 16:9 852*480 PDP42V60000.ADLGA
201	6871QCH034A	PWB(PCB) ASSEMBLY, DISPLAY CTRL ASSY HAND INSERT 42V6 NEW MCM(1222) LVDS
202	6871QDH066A	PWB(PCB) ASSEMBLY, DISPLAY YDRV ASSY HAND INSERT 42V6 YDRV TOP HAND INSERT ASSY
203	6871QDH067A	PWB(PCB) ASSEMBLY, DISPLAY YDRV ASSY HAND INSERT 42V6 YDRV BTM HAND INSERT ASSY
204	6871QLH034A	PWB(PCB) ASSEMBLY, DISPLAY XRLT ASSY HAND INSERT 42V6_XL(4LAYER)
205	6871QRH037A	PWB(PCB) ASSEMBLY, DISPLAY XRRT ASSY HAND INSERT 42V6_XR(4LAYER)
206	6871QYH029A	PWB(PCB) ASSEMBLY, DISPLAY YSUS ASSY HAND INSERT 42V6
207	6871QZH033A	PWB(PCB) ASSEMBLY, DISPLAY ZSUS ASSY HAND INSERT 42V6
300	3091V00684D	CABINET ASSEMBLY, RZ-42PX10, Silver
	3091V00684L	CABINET ASSEMBLY, RT-42PX11, 2 Tone Black
301	4980V01067B	SUPPORTER, ASSY AL FILTER TOP RZ-42PX10 SKD
302	4980V01068B	SUPPORTER, ASSY AL FILTER BOT.RZ-42PX10 SKD
303	4980V01069B	SUPPORTER, ASSY AL FILTER RIGHT RZ-42PX10 SKD
304	4980V01070B	SUPPORTER, ASSY AL FILTER LEFT RZ-42PX10 SKD
305	3790V00281F	FILTER(MECH), GLASS FILTER MN42PZ44 1142G03EK 42KK NBK ETCHING MESH
400	3809V00444B	BACK COVER ASSEMBLY, RZ-42PX10 SKD
401	3301V00025F	PLATE ASSEMBLY, ASSY VSC TUNER COVER RZ-42PX10 SKD
402	3301V00023G	PLATE ASSEMBLY, ASSY AV VSC TUNER RZ-42PX10 SKD
410	4980V01071B	SUPPORTER, ASSY AL VERTICAL RZ-42PX10 SKD
490	4980V01057B	SUPPORTER, PCB EGI POWER SW RZ-42PX10 SKD
520	6871VMMS15A	PWB(PCB) ASSEMBLY,MAIN RF043B MALIBU RZ MAIN DIGITAL MANUAL
530	6871VSME92A	PWB(PCB) ASSEMBLY,SUB PSW RF043A MAILBU
531	5020V00915B	BUTTON, POWER RZ-42PX10 ABS, AF-303S SKD
560	6871VSMS03A	PWB(PCB) ASSEMBLY,SUB TUNER RF043B MALIBU RZ SUB ANALOG MANUAL
570	6871VSMZ91A	PWB(PCB) ASSEMBLY,SUB CONT RF043A NEW HOLDER LOCAL KEY KODENSI
580	3501V00180A	BOARD ASSEMBLY, POWER RZ-42PX10 RF043A 1H201W1 SANKEN PSU
600	6871VSME91A	PWB(PCB) ASSEMBLY,SUB A/V RF043A MALIBU SIDE AV
601	4811V00118C	BRACKET ASSEMBLY, SIDE AV RZ-42PX10 SKD

REPLACEMENT PARTS LIST

LOCA. NO	PART NO	DESCRIPTION	LOCA. NO	PART NO	DESCRIPTION
IC			TRANSISTOR		
IC100	0IMMRAL014B	AT24C02N-10 SI-2.7 R/TP 2K(256X8) 2-WIRE	Q001	0TR387500AA	CHIP 2SC3875S(ALY) KEC
IC100	0IMI623200B	M62320FP,I/O EXPANDER 16P SOP TP I/O	Q002	0TR387500AA	CHIP 2SC3875S(ALY) KEC
IC1000	0IMCRFA010A	KA7809R, FAIRCHILD 2P D-PAK	Q100	0TR150400BA	CHIP 2SA1504S(ASY) KEC
IC1001	0IPRPM001A	MIC39100 SOT223 R/TP LDO TYPE 2.5V	Q1000	0TRKE80038A	KTC3552T-RTK R/TP SOT-23F 50V 3A
IC1002	0IMCRSH001A	PQ05DZ1U SMD TYPE R/TP REGULATOR	Q101	0TR387500AA	CHIP 2SC3875S(ALY) KEC
IC1003	0ITK118100B	TK11840L 8P SOT23L CONVERTER PWM IC	Q102	0TR387500AA	CHIP 2SC3875S(ALY) KEC
IC1004	0IMCRSH001A	PQ05DZ1U SHARP 5, SMD REGULATOR	Q103	0TR150400BA	CHIP 2SA1504S(ASY) KEC
IC101	0IMMRAL014B	AT24C02N-10SI-2.7 ATMEL 8P 2K(256X8) 2-WIRE	Q104	0TR387500AA	CHIP 2SC3875S(ALY) KEC
IC102	0IMCRTI003A	SN74HCT08D INSTRUMENT 16P QUADRUPLE	Q105	0TR387500AA	CHIP 2SC3875S(ALY) KEC
IC103	0IMCRTI021A	SN74LVTH541PWR 20P DRIVERS WTH 3 STATE OUTPUT	Q106	0TR150400BA	CHIP 2SA1504S(ASY) KEC
IC104	0IMCRTI021A	SN74LVTH541PWR DRIVERS WTH 3 STATE OUTPUT	Q107	0TR387500AA	CHIP 2SC3875S(ALY) KEC
IC1100	0IMCRTH002A	THC63LVD103 TQFP TRAY 10BIT LVDS TX	Q108	0TR150400BA	CHIP 2SA1504S(ASY) KEC
IC1200	0IMCRSJ001A	SC1565IST-1.8 SOT223 TP REGULATOR	Q109	0TR150400BA	CHIP 2SA1504S(ASY) KEC
IC1201	0IPRPM001A	MIC391003P SOT223 LDO TYPE 2.5V REGULATOR	Q110	0TR830009BA	BSS83 TP PHILIPS NON N-CHANNEL S/W
IC1202	0IMCRFA010A	KA7809R, FAIRCHILD 2P REGULATOR IC	Q111	0TR830009BA	BSS83 TP PHILIPS NON N-CHANNEL S/W
IC1300	0IMCRRH001A	BA033FP-E2 TO252-3 R/TP 3.3V REGULATOR	Q1200	0TR387500AA	CHIP 2SC3875S(ALY) KEC
IC1301	0IMCRSH001A	PQ05DZ1U SMD TYPE R/TP REGULATOR	Q1201	0TR387500AA	CHIP 2SC3875S(ALY) KEC
IC1302	0IMCRSH001A	PQ05DZ1U SMD TYPE R/TP REGULATOR	Q1202	0TR387500AA	CHIP 2SC3875S(ALY) KEC
IC1303	0IMCRRH001A	BA033FP-E2 TO252-3 R/TP 3.3V REGULATOR	Q207	0TR387500AA	CHIP 2SC3875S(ALY) KEC
IC1304	0IMCRSJ001A	SC1565IST-1.8 SOT223 TP REGULATOR	Q208	0TR387500AA	CHIP 2SC3875S(ALY) KEC
IC1305	0IMCRRH001A	BA033FP-E2 TO252-3 R/TP 3.3V REGULATOR	Q209	0TR150400BA	CHIP 2SA1504S(ASY) KEC
IC1306	0IPRPM001A	MIC39100 SOT223 R/TP LDO TYPE 2.5V REGULATOR	Q210	0TR387500AA	CHIP 2SC3875S(ALY) KEC
IC200	0IFA742530B	74ACT253C 16P SOIC DUAL 4-INPUT MULTIPLEXER	Q211	0TR104009AF	CHIP KRC104S SOT-23
IC201	0IMCRSG010A	ST3232CDR SOP16 R/TP RS232 DRIVER/RECEIVER	Q214	0TR387500AA	CHIP 2SC3875S(ALY) KEC
IC202	0IMCRMIO06A	M52758FP MITSUBISHI 36PIN, R/TP PLL IC	Q300	0TR387500AA	CHIP 2SC3875S(ALY) KEC
IC203	0IFA741230A	DM74LS123MX 16SOP MONO. MULTIVIBRATOR	Q301	0TR387500AA	CHIP 2SC3875S(ALY) KEC
IC400	0ISO206900A	CXA2069Q QFP64 BK I2C BUS AV S/W	Q302	0TR387500AA	CHIP 2SC3875S(ALY) KEC
IC401	0ISO210100B	CXA2101AQ 80P,VIDEO SIGNAL PROCESSOR	Q303	0TR387500AA	CHIP 2SC3875S(ALY) KEC
IC402	0IMCRTI003A	SN74HCT08D INSTRUMENT 16P QUADRUPLE	Q304	0TR387500AA	CHIP 2SC3875S(ALY) KEC
IC500	0ICTMLG018A	LGDT4410 LG IC 176P QFP TRAY IEP	Q305	0TR387500AA	CHIP 2SC3875S(ALY) KEC
IC500	0IMCRMN023A	SDA6001 QH B12 128P MQFP TRAY MICOM	Q306	0TR387500AA	CHIP 2SC3875S(ALY) KEC
IC501	0IMMRHY001F	HY57V641620HGT-HT TRAY 64M SDRAM 133MHZ	Q307	0TR387500AA	CHIP 2SC3875S(ALY) KEC
IC502	0IMMRMR006B	MX29LV160ATTC-70 48P TSOP 16M FLASH MEMORY	Q308	0TR387500AA	CHIP 2SC3875S(ALY) KEC
IC503	0IMCRAL006A	AT24C16AN-10SI-2.7 SOIC R/TP EEPROM	Q309	0TR387500AA	CHIP 2SC3875S(ALY) KEC
IC504	0IKE702700D	KIA7027AF 3, SOT-89 TP RESET IC 2.7V	Q310	0TR387500AA	CHIP 2SC3875S(ALY) KEC
IC600	0IIT323000E	VPC3230D C5 80P TRAY VIDEO PROCESSOR PDP50	Q311	0TR387500AA	CHIP 2SC3875S(ALY) KEC
IC600	0IMCRGN002C	FLI2300BD 208P TRAY DIGITAL VIDEO CONVERTER	Q312	0TR387500AA	CHIP 2SC3875S(ALY) KEC
IC601	0IMMRHY033A	HY57V643220C(L)T-6 TRAY 64M FLASH MEMORY	Q313	0TR387500AA	CHIP 2SC3875S(ALY) KEC
IC700	0IIT323000E	VPC3230D C5 80P TRAY VIDEO PROCESSOR PDP50	Q314	0TR387500AA	CHIP 2SC3875S(ALY) KEC
IC700	0IPRPGN012A	GM1501HBD PBGA TRAY LCD/PDP CONTROLLER	Q315	0TR387500AA	CHIP 2SC3875S(ALY) KEC
IC701	0IMMRAL025A	AT24C32AN-10SI-2.7 8PIN SOP TP 32K 3.3V	Q316	0TR387500AA	CHIP 2SC3875S(ALY) KEC
IC702	0IKE704200J	KIA7042AF SOT-89 TP 4.2V DETECTOR	Q400	0TR387500AA	CHIP 2SC3875S(ALY) KEC
IC800	0IMMRHY020B	HY5DU283222AQ-5 100P LQFP TRAY 4MX32	Q400	0TR150400BA	CHIP 2SA1504S(ASY) KEC
IC800	0IMCRMN028A	MSP4410G-QA-C13-101WITH SRS WOW AND BBE	Q401	0TR387500AA	CHIP 2SC3875S(ALY) KEC
IC801	0IMMRMR023A	MX29LV800TTC-70 TSOP TRAY 8MBIT, 3.3V	Q401	0TR150400BA	CHIP 2SA1504S(ASY) KEC
IC801	0IMCRNL001A	NSP-6241B TRAY DIGITAL AUDIO PROCESSOR	Q402	0TR387500AA	CHIP 2SC3875S(ALY) KEC
IC802	0IMCRTI028C	TAS5122DCAR 56P/TSSOP 30W STEREO DIGITAL	Q402	0TR150400BA	CHIP 2SA1504S(ASY) KEC
IC802	6620VF3201A	SOCKET(CIRC),IC 822473-32.54MM PLCC	Q403	0TR387500AA	CHIP 2SC3875S(ALY) KEC
IC805	0IKE704200J	KIA7042AF SOT-89 TP 4.2V DETECTOR	Q404	0TR387500AA	CHIP 2SC3875S(ALY) KEC
			Q405	0TR387500AA	CHIP 2SC3875S(ALY) KEC
			Q406	0TR387500AA	CHIP 2SC3875S(ALY) KEC

For Capacitor & Resistors, the characters at 2nd and 3rd digit in the P/No. means as follows;

CC, CX, CK, CN : Ceramic
CQ : Polyester
CE : Electrolytic

RD : Carbon Film
RS : Metal Oxide Film
RN : Metal Film
RF : Fusible

LOCA. NO	PART NO	DESCRIPTION
Q800	0TR387500AA	CHIP 2SC3875S(ALY) KEC
Q801	0TR387500AA	CHIP 2SC3875S(ALY) KEC
Q802	0TR387500AA	CHIP 2SC3875S(ALY) KEC
DIODE		
D100	0DD226239AA	CHIP KDS226 SOT-23
D100	0DD226239AA	CHIP KDS226 SOT-23
D1000	0DD226239AA	CHIP KDS226 SOT-23
D1001	0DD184009AA	KDS184S CHIP 85V 300MA
D1002	0DD226239AA	CHIP KDS226 SOT-23
D1003	0DD226239AA	CHIP KDS226 SOT-23
D1004	0DD226239AA	CHIP KDS226 SOT-23
D101	0DD226239AA	CHIP KDS226 SOT-23
D101	0DD226239AA	CHIP KDS226 SOT-23
D102	0DD226239AA	CHIP KDS226 SOT-23
D103	0DD226239AA	CHIP KDS226 SOT-23
D104	0DD226239AA	CHIP KDS226 SOT-23
D105	0DD184009AA	KDS184S CHIP 85V 300MA
D116	0DD226239AA	CHIP KDS226 SOT-23
D117	0DD226239AA	CHIP KDS226 SOT-23
D118	0DD226239AA	CHIP KDS226 SOT-23
D119	0DD226239AA	CHIP KDS226 SOT-23
D120	0DD226239AA	CHIP KDS226 SOT-23
D1200	0DD226239AA	CHIP KDS226 SOT-23
D1201	0DD226239AA	CHIP KDS226 SOT-23
D1206	0DD226239AA	CHIP KDS226 SOT-23
D121	0DD226239AA	CHIP KDS226 SOT-23
D122	0DD226239AA	CHIP KDS226 SOT-23
D123	0DD226239AA	CHIP KDS226 SOT-23
D124	0DD226239AA	CHIP KDS226 SOT-23
D125	0DD226239AA	CHIP KDS226 SOT-23
D126	0DD226239AA	CHIP KDS226 SOT-23
D127	0DD226239AA	CHIP KDS226 SOT-23
D128	0DD226239AA	CHIP KDS226 SOT-23
D129	0DD226239AA	CHIP KDS226 SOT-23
D130	0DD226239AA	CHIP KDS226 SOT-23
D1300	0DD226239AA	CHIP KDS226 SOT-23
D1301	0DD226239AA	CHIP KDS226 SOT-23
D1302	0DD226239AA	CHIP KDS226 SOT-23
D1303	0DD226239AA	CHIP KDS226 SOT-23
D1304	0DD226239AA	CHIP KDS226 SOT-23
D1305	0DD226239AA	CHIP KDS226 SOT-23
D1306	0DD226239AA	CHIP KDS226 SOT-23
D131	0DD226239AA	CHIP KDS226 SOT-23
D200	0DD226239AA	CHIP KDS226 SOT-23
D201	0DD226239AA	CHIP KDS226 SOT-23
D202	0DD226239AA	CHIP KDS226 SOT-23
D203	0DD226239AA	CHIP KDS226 SOT-23
D204	0DD226239AA	CHIP KDS226 SOT-23
D205	0DD226239AA	CHIP KDS226 SOT-23
D500	0DD226239AA	CHIP KDS226 SOT-23
D501	0DD226239AA	CHIP KDS226 SOT-23

LOCA. NO	PART NO	DESCRIPTION
D502	0DD226239AA	CHIP KDS226 SOT-23
D503	0DD226239AA	CHIP KDS226 SOT-23
ZD100	0DR050008AA	SD05.TC R/TP SEMTECH SOD323 5V 5A 15A
ZD101	0DR050008AA	SD05.TC R/TP SEMTECH SOD323 5V 5A 15A
ZD206	0DR050008AA	SD05.TC R/TP SEMTECH SOD323 5V 5A 15A
ZD207	0DR050008AA	SD05.TC R/TP SEMTECH SOD323 5V 5A 15A
ZD208	0DR050008AA	SD05.TC R/TP SEMTECH SOD323 5V 5A 15A
ZD400	0DR050008AA	SD05.TC R/TP SEMTECH SOD323 5V 5A 15A
ZD401	0DR050008AA	SD05.TC R/TP SEMTECH SOD323 5V 5A 15A
ZD800	0DZ820009AH	MTZJ8.2B TP ROHM-K DO34 - 8.2V 5UA
LD001	0DL200000CA	LEDSAM5670(DL-2LRG) BK Y-GREEN
LD1000	0DL233309AC	LEDSAM2333 TP GREEN:10MCD, RED:6MCD
LD1001	0DL233309AC	LEDSAM2333 TP GREEN:10MCD, RED:6MCD
LD1002	0DL233309AC	LEDSAM2333 TP GREEN:10MCD, RED:6MCD
LD1003	0DL233309AC	LEDSAM2333 TP GREEN:10MCD, RED:6MCD
LD1203	0DL233309AC	LEDSAM2333 TP GREEN:10MCD, RED:6MCD
LD1204	0DL233309AC	LEDSAM2333 TPGREEN:10MCD, RED:6MCD
LD1206	0DL233309AC	LEDSAM2333 TPGREEN:10MCD, RED:6MCD
LD1207	0DL233309AC	LEDSAM2333 TPGREEN:10MCD, RED:6MCD
CAPACITOR		
C002	0CE4763F618	47UF SRE 16V M FL TP5
C1001	0CE107SF6DC	100UF MVG 16V M SMD R/TP
C1002	0CE227VF6DC	220UF MV 16V 20% R/TP SMD
C1003	0CE107SF6DC	100UF MVG 16V M SMD R/TP
C1004	0CE475SK6DC	4.7UF MVG 50V 20% SMD R/TP
C1006	0CE477SF6DC	470UF MVG 16V 20% R/TP SMD
C1016	0CE107SF6DC	100UF MVG 16V M SMD R/TP
C1017	0CE107SF6DC	100UF MVG 16V M SMD R/TP
C1018	0CE107SF6DC	100UF MVG 16V M SMD R/TP
C102	0CE475SK6DC	4.7UF MVG 50V 20% SMD R/TP
C1020	0CE107SF6DC	100UF MVG 16V M SMD R/TP
C1022	0CE477SF6DC	470UF MVG 16V 20% R/TP SMD
C1025	0CE475SK6DC	4.7UF MVG 50V 20% SMD R/TP
C1027	0CE107SF6DC	100UF MVG 16V M SMD R/TP
C1031	0CE477SF6DC	470UF MVG 16V 20% R/TP SMD
C1037	0CE477SF6DC	470UF MVG 16V 20% R/TP SMD
C104	0CE476DF618	47UF STD 16V M FL TP5
C1041	0CE107SF6DC	100UF MVG 16V M SMD R/TP
C1042	0CE477SF6DC	470UF MVG 16V 20% R/TP SMD
C1045	0CE107SF6DC	100UF MVG 16V M SMD R/TP
C1046	0CE107SF6DC	100UF MVG 16V M SMD R/TP
C105	0CE476DF618	47UF STD 16V M FL TP5
C1052	0CE107SF6DC	100UF MVG 16V M SMD R/TP
C1058	0CE107SF6DC	100UF MVG 16V M SMD R/TP
C1059	0CE477DJ618	470UF STD 35V 20% FL TP 5
C106	0CE227VF6DC	220UF MV 16V 20% R/TP SMD
C1060	0CE227VF6DC	220UF MV 16V 20% R/TP SMD
C1061	0CE107SF6DC	100UF MVG 16V M SMD R/TP
C1063	0CE227VF6DC	220UF MV 16V 20% R/TP SMD
C1066	0CE476SF6DC	47UF MVG 16V M SMD R/TP
C1066	0CE107SF6DC	100UF MVG 16V M SMD R/TP

For Capacitor & Resistors, the characters at 2nd and 3rd digit in the P/No. means as follows;	CC, CX, CK, CN : Ceramic CQ : Polyester CE : Electrolytic	RD : Carbon Film RS : Metal Oxide Film RN : Metal Film RF : Fusible
--	---	--

LOCA. NO	PART NO	DESCRIPTION	LOCA. NO	PART NO	DESCRIPTION
C1067	0CE477DJ618	470UF STD 35V 20% FL TP 5	C1374	0CE476SF6DC	47UF MVG 16V M SMD R/TP
C107	0CE477SF6DC	470UF MVG 16V 20% R/TP SMD	C1384	0CE476SF6DC	47UF MVG 16V M SMD R/TP
C1072	0CE107SF6DC	100UF MVG 16V M SMD R/TP	C1388	0CE476SF6DC	47UF MVG 16V M SMD R/TP
C1074	0CE107SF6DC	100UF MVG 16V M SMD R/TP	C1391	0CE477SF6DC	470UF MVG 16V 20% R/TP SMD
C1078	0CE107SF6DC	100UF MVG 16V M SMD R/TP	C1400	0CE476SF6DC	47UF MVG 16V M SMD R/TP
C1079	0CE107SF6DC	100UF MVG 16V M SMD R/TP	C1402	0CE476SF6DC	47UF MVG 16V M SMD R/TP
C108	0CE477SF6DC	470UF MVG 16V 20% R/TP SMD	C1404	0CE477SF6DC	470UF MVG 16V 20% R/TP SMD
C1081	0CE107SF6DC	100UF MVG 16V M SMD R/TP	C1410	0CE477SF6DC	470UF MVG 16V 20% R/TP SMD
C110	0CE227VF6DC	220UF MV 16V 20% R/TP SMD	C1415	0CE477SF6DC	470UF MVG 16V 20% R/TP SMD
C111	0CE475SK6DC	4.7UF MVG 50V 20% SMD R/TP	C1425	0CE107SF6DC	100UF MVG 16V M SMD R/TP
C112	0CE477SF6DC	470UF MVG 16V 20% R/TP SMD	C208	0CE477SF6DC	470UF MVG 16V 20% R/TP SMD
C113	0CE106SF6DC	10UF MVG 16V 20% R/TP SMD	C220	0CE477SF6DC	470UF MVG 16V 20% R/TP SMD
C114	0CE475SK6DC	4.7UF MVG 50V 20% SMD R/TP	C222	0CE476SF6DC	47UF MVG 16V M SMD R/TP
C120	0CE476SF6DC	47UF MVG 16V M SMD R/TP	C222	0CE476XFKDC	47UF MVK-BP,CN 16V 20%,-20% SMD TAPPING
C1202	0CE476SF6DC	47UF MVG 16V M SMD R/TP	C223	0CE476SF6DC	47UF MVG 16V M SMD R/TP
C1205	0CE107SF6DC	100UF MVG 16V M SMD R/TP	C223	0CE476XFKDC	47UF MVK-BP,CN 16V 20%,-20% SMD TAPPING
C1206	0CE477SF6DC	470UF MVG 16V 20% R/TP SMD	C224	0CE476SF6DC	47UF MVG 16V M SMD R/TP
C121	0CE476SF6DC	47UF MVG 16V M SMD R/TP	C224	0CE476XFKDC	47UF MVK-BP,CN 16V 20%,-20% SMD TAPPING
C121	0CE477SF6DC	470UF MVG 16V 20% R/TP SMD	C224	0CE106SF6DC	10UF MVG 16V 20% R/TP SMD
C1211	0CE477SF6DC	470UF MVG 16V 20% R/TP SMD	C225	0CE106SF6DC	10UF MVG 16V 20% R/TP SMD
C1212	0CE477SF6DC	470UF MVG 16V 20% R/TP SMD	C226	0CE106SF6DC	10UF MVG 16V 20% R/TP SMD
C1215	0CE477SF6DC	470UF MVG 16V 20% R/TP SMD	C227	0CE106SF6DC	10UF MVG 16V 20% R/TP SMD
C1216	0CE227VF6DC	220UF MV 16V 20% R/TP SMD	C230	0CE107SF6DC	100UF MVG 16V M SMD R/TP
C1218	0CE477SF6DC	470UF MVG 16V 20% R/TP SMD	C251	0CE106SF6DC	10UF MVG 16V 20% R/TP SMD
C1220	0CE227VF6DC	220UF MV 16V 20% R/TP SMD	C254	0CN105EJ56A	1.0UF 3216 35V 10% R/TP X7R
C1229	0CE227VF6DC	220UF MV 16V 20% R/TP SMD	C258	0CE476SF6DC	47UF MVG 16V M SMD R/TP
C1233	0CE477SF6DC	470UF MVG 16V 20% R/TP SMD	C261	0CE476SF6DC	47UF MVG 16V M SMD R/TP
C124	0CE107SF6DC	100UF MVG 16V M SMD R/TP	C263	0CE476SF6DC	47UF MVG 16V M SMD R/TP
C1249	0CE227VF6DC	220UF MV 16V 20% R/TP SMD	C272	0CE107SF6DC	100UF MVG 16V M SMD R/TP
C1250	0CE227VF6DC	220UF MV 16V 20% R/TP SMD	C274	0CE107SF6DC	100UF MVG 16V M SMD R/TP
C1251	0CE477SF6DC	470UF MVG 16V 20% R/TP SMD	C301	0CE476SF6DC	47UF MVG 16V M SMD R/TP
C1254	0CE227VF6DC	220UF MV 16V 20% R/TP SMD	C302	0CE476SF6DC	47UF MVG 16V M SMD R/TP
C1256	0CE227VF6DC	220UF MV 16V 20% R/TP SMD	C304	0CE476SF6DC	47UF MVG 16V M SMD R/TP
C1257	0CE227VF6DC	220UF MV 16V 20% R/TP SMD	C316	0CE476SF6DC	47UF MVG 16V M SMD R/TP
C1259	0CE227VF6DC	220UF MV 16V 20% R/TP SMD	C317	0CE476SF6DC	47UF MVG 16V M SMD R/TP
C127	0CE475SK6DC	4.7UF MVG 50V 20% SMD R/TP	C318	0CE476SF6DC	47UF MVG 16V M SMD R/TP
C1273	0CE476SF6DC	47UF MVG 16V M SMD R/TP	C323	0CE476SF6DC	47UF MVG 16V M SMD R/TP
C1274	0CE107SF6DC	100UF MVG 16V M SMD R/TP	C325	0CE476SF6DC	47UF MVG 16V M SMD R/TP
C1275	0CE107SF6DC	100UF MVG 16V M SMD R/TP	C327	0CE476SF6DC	47UF MVG 16V M SMD R/TP
C1279	0CE107SF6DC	100UF MVG 16V M SMD R/TP	C400	0CE227VF6DC	220UF MV 16V 20% R/TP SMD
C1305	0CE107SF6DC	100UF MVG 16V M SMD R/TP	C401	0CE476SF6DC	47UF MVG 16V M SMD R/TP
C1314	0CE476SF6DC	47UF MVG 16V M SMD R/TP	C402	0CE107SF6DC	100UF MVG 16V M SMD R/TP
C1315	0CE107SF6DC	100UF MVG 16V M SMD R/TP	C404	0CE227VF6DC	220UF MV 16V 20% R/TP SMD
C1317	0CE107SF6DC	100UF MVG 16V M SMD R/TP	C406	0CE476SF6DC	47UF MVG 16V M SMD R/TP
C1331	0CE477SF6DC	470UF MVG 16V 20% R/TP SMD	C410	0CE107SF6DC	100UF MVG 16V M SMD R/TP
C1333	0CE477SF6DC	470UF MVG 16V 20% R/TP SMD	C423	0CE105SK6DC	1UF MVG 50V M SMD R/TP
C1353	0CE477SF6DC	470UF MVG 16V 20% R/TP SMD	C429	0CE107SF6DC	100UF MVG 16V M SMD R/TP
C1355	0CE477SF6DC	470UF MVG 16V 20% R/TP SMD	C435	0CE107SF6DC	100UF MVG 16V M SMD R/TP
C1362	0CE107SF6DC	100UF MVG 16V M SMD R/TP	C440	0CE106SF6DC	10UF MVG 16V 20% R/TP SMD
C1366	0CE227VF6DC	220UF MV 16V 20% R/TP SMD	C442	0CE106SF6DC	10UF MVG 16V 20% R/TP SMD
C1368	0CE227VF6DC	220UF MV 16V 20% R/TP SMD	C502	0CE106SF6DC	10UF MVG 16V 20% R/TP SMD
C1373	0CE107SF6DC	100UF MVG 16V M SMD R/TP	C505	0CE106SF6DC	10UF MVG 16V 20% R/TP SMD

For Capacitor & Resistors, the characters at 2nd and 3rd digit in the P/No. means as follows;

CC, CX, CK, CN : Ceramic
CQ : Polyester
CE : Electrolytic

RD : Carbon Film
RS : Metal Oxide Film
RN : Metal Film
RF : Fusible

LOCA. NO	PART NO	DESCRIPTION
C506	0CE106SF6DC	10UF MVG 16V 20% R/TP SMD
C507	0CE106SF6DC	10UF MVG 16V 20% R/TP SMD
C508	0CE106SF6DC	10UF MVG 16V 20% R/TP SMD
C509	0CE106SF6DC	10UF MVG 16V 20% R/TP SMD
C517	0CE106SF6DC	10UF MVG 16V 20% R/TP SMD
C520	0CE106SF6DC	10UF MVG 16V 20% R/TP SMD
C522	0CE106SF6DC	10UF MVG 16V 20% R/TP SMD
C523	0CE106SF6DC	10UF MVG 16V 20% R/TP SMD
C525	0CE105SK6DC	1UF MVG 50V M SMD R/TP
C527	0CE106SF6DC	10UF MVG 16V 20% R/TP SMD
C529	0CE476SF6DC	47UF MVG 16V M SMD R/TP
C534	0CE106SF6DC	10UF MVG 16V 20% R/TP SMD
C604	0CE107SF6DC	100UF MVG 16V M SMD R/TP
C612	0CE106SF6DC	10UF MVG 16V 20% R/TP SMD
C615	0CE106SF6DC	10UF MVG 16V 20% R/TP SMD
C627	0CE107SF6DC	100UF MVG 16V M SMD R/TP
C629	0CE106SF6DC	10UF MVG 16V 20% R/TP SMD
C632	0CE107SF6DC	100UF MVG 16V M SMD R/TP
C702	0CE107SF6DC	100UF MVG 16V M SMD R/TP
C703	0CE226SF6DC	22UF MVG 16V 20% SMD R/TP
C709	0CE106SF6DC	10UF MVG 16V 20% R/TP SMD
C712	0CE106SF6DC	10UF MVG 16V 20% R/TP SMD
C720	0CE226SF6DC	22UF MVG 16V 20% SMD R/TP
C723	0CE226SF6DC	22UF MVG 16V 20% SMD R/TP
C726	0CE106SF6DC	10UF MVG 16V 20% R/TP SMD
C737	0CE226SF6DC	22UF MVG 16V 20% SMD R/TP
C744	0CE226SF6DC	22UF MVG 16V 20% SMD R/TP
C752	0CE226SF6DC	22UF MVG 16V 20% SMD R/TP
C757	0CE226SF6DC	22UF MVG 16V 20% SMD R/TP
C762	0CE226SF6DC	22UF MVG 16V 20% SMD R/TP
C769	0CE226SF6DC	22UF MVG 16V 20% SMD R/TP
C777	0CE226SF6DC	22UF MVG 16V 20% SMD R/TP
C778	0CE226SF6DC	22UF MVG 16V 20% SMD R/TP
C785	0CE335SK6DC	3.3UF MVG 50V 20% SMD R/TP
C800	0CE226SF6DC	22UF MVG 16V 20% SMD R/TP
C801	0CE226SF6DC	22UF MVG 16V 20% SMD R/TP
C802	0CE476SF6DC	47UF MVG 16V M SMD R/TP
C803	0CE226VF6DC	22UF MV 16V 20% R/TP SMD
C812	0CE226VF6DC	22UF MV 16V 20% R/TP SMD
C817	0CE226SF6DC	22UF MVG 16V 20% SMD R/TP
C822	0CE107SF6DC	100UF MVG 16V M SMD R/TP
C825	0CE335SK6DC	3.3UF MVG 50V 20% SMD R/TP
C827	0CE107SF6DC	100UF MVG 16V M SMD R/TP
C828	0CE106SF6DC	10UF MVG 16V 20% R/TP SMD
C829	0CE106SF6DC	10UF MVG 16V 20% R/TP SMD
C834	0CE107SF6DC	100UF MVG 16V M SMD R/TP
C834	0CE106SF6DC	10UF MVG 16V 20% R/TP SMD
C837	0CE106SF6DC	10UF MVG 16V 20% R/TP SMD
C840	0CE106SF6DC	10UF MVG 16V 20% R/TP SMD
C841	0CE107SF6DC	100UF MVG 16V M SMD R/TP
C847	0CN105EJ56A	1.0UF 3216 35V 10% R/TP X7R
C851	0CE108DH618	1000UF STD 25V M FL TP5

LOCA. NO	PART NO	DESCRIPTION
C852	0CE108DH618	1000UF STD 25V M FL TP5
C862	0CF4741L438	0.47UF D 63V 5% TP 5 M/PE NI
C863	0CF4741L438	0.47UF D 63V 5% TP 5 M/PE NI
C872	0CE335SK6DC	3.3UF MVG 50V 20% SMD R/TP
C873	0CN105EJ56A	1.0UF 3216 35V 10% R/TP X7R
C874	0CE108DH618	1000UF STD 25V M FL TP5
COIL		
L1004	6140VB0004B	COIL,CHOKE26UH 22.5TURN YL-9N 0.4
L1005	6140VB0004B	COIL,CHOKE26UH 22.5TURN YL-9N 0.4
L1006	6140VB0004B	COIL,CHOKE26UH 22.5TURN YL-9N 0.4
L1007	6140VB0004B	COIL,CHOKE26UH 22.5TURN YL-9N 0.4
L1200	6140VB0004B	COIL,CHOKE26UH 22.5TURN YL-9N 0.4
L1203	6140VB0004B	COIL,CHOKE26UH 22.5TURN YL-9N 0.4
L1209	6140VB0004B	COIL,CHOKE26UH 22.5TURN YL-9N 0.4
L1213	6140VB0004B	COIL,CHOKE26UH 22.5TURN YL-9N 0.4
L803	6140VB0022A	COIL,CHOKEPCS-0810 GET 22UH 21.5TURNS
L804	6140VB0022A	COIL,CHOKEPCS-0810 GET 22UH 21.5TURNS
L805	6140VB0022A	COIL,CHOKEPCS-0810 GET 22UH 21.5TURNS
L806	6140VB0022A	COIL,CHOKEPCS-0810 GET 22UH 21.5TURNS
RESISTOR		
AR1101	0RRZVTA001D	22 OHM 1 / 16 W 1608 5% R/TP 4P E24
AR1102	0RRZVTA001D	22 OHM 1 / 16 W 1608 5% R/TP 4P E24
AR1103	0RRZVTA001D	22 OHM 1 / 16 W 1608 5% R/TP 4P E24
AR1104	0RRZVTA001D	22 OHM 1 / 16 W 1608 5% R/TP 4P E24
AR1105	0RRZVTA001D	22 OHM 1 / 16 W 1608 5% R/TP 4P E24
AR1106	0RRZVTA001D	22 OHM 1 / 16 W 1608 5% R/TP 4P E24
AR500	0RRZVTA001D	22 OHM 1 / 16 W 1608 5% R/TP 4P E24
AR503	0RRZVTA001D	22 OHM 1 / 16 W 1608 5% R/TP 4P E24
AR507	0RRZVTA001D	22 OHM 1 / 16 W 1608 5% R/TP 4P E24
AR508	0RRZVTA001D	22 OHM 1 / 16 W 1608 5% R/TP 4P E24
AR509	0RRZVTA001D	22 OHM 1 / 16 W 1608 5% R/TP 4P E24
AR512	0RRZVTA001D	22 OHM 1 / 16 W 1608 5% R/TP 4P E24
AR513	0RRZVTA001D	22 OHM 1 / 16 W 1608 5% R/TP 4P E24
AR520	0RRZVTA001D	22 OHM 1 / 16 W 1608 5% R/TP 4P E24
AR521	0RRZVTA001D	22 OHM 1 / 16 W 1608 5% R/TP 4P E24
AR522	0RRZVTA001D	22 OHM 1 / 16 W 1608 5% R/TP 4P E24
AR523	0RRZVTA001D	22 OHM 1 / 16 W 1608 5% R/TP 4P E24
AR524	0RRZVTA001D	22 OHM 1 / 16 W 1608 5% R/TP 4P E24
AR525	0RRZVTA001D	22 OHM 1 / 16 W 1608 5% R/TP 4P E24
AR600	0RRZVTA001D	22 OHM 1 / 16 W 1608 5% R/TP 4P E24
AR600	0RRZVTA001D	22 OHM 1 / 16 W 1608 5% R/TP 4P E24
AR601	0RRZVTA001D	22 OHM 1 / 16 W 1608 5% R/TP 4P E24
AR601	0RRZVTA001D	22 OHM 1 / 16 W 1608 5% R/TP 4P E24
AR602	0RRZVTA001D	22 OHM 1 / 16 W 1608 5% R/TP 4P E24
AR602	0RRZVTA001D	22 OHM 1 / 16 W 1608 5% R/TP 4P E24
AR603	0RRZVTA001D	22 OHM 1 / 16 W 1608 5% R/TP 4P E24
AR603	0RRZVTA001D	22 OHM 1 / 16 W 1608 5% R/TP 4P E24
AR603	0RRZVTA001D	22 OHM 1 / 16 W 1608 5% R/TP 4P E24
AR604	0RRZVTA001D	22 OHM 1 / 16 W 1608 5% R/TP 4P E24
AR605	0RRZVTA001D	22 OHM 1 / 16 W 1608 5% R/TP 4P E24
AR606	0RRZVTA001D	22 OHM 1 / 16 W 1608 5% R/TP 4P E24

For Capacitor & Resistors, the characters at 2nd and 3rd digit in the P/No. means as follows;	CC, CX, CK, CN : Ceramic CQ : Polyester CE : Electrolytic	RD : Carbon Film RS : Metal Oxide Film RN : Metal Film RF : Fusible
--	---	--

LOCA. NO	PART NO	DESCRIPTION
AR607	0RRZVTA001D	22 OHM 1 / 16 W 1608 5% R/TP 4P E24
AR608	0RRZVTA001D	22 OHM 1 / 16 W 1608 5% R/TP 4P E24
AR609	0RRZVTA001D	22 OHM 1 / 16 W 1608 5% R/TP 4P E24
AR610	0RRZVTA001D	22 OHM 1 / 16 W 1608 5% R/TP 4P E24
AR611	0RRZVTA001D	22 OHM 1 / 16 W 1608 5% R/TP 4P E24
AR612	0RRZVTA001D	22 OHM 1 / 16 W 1608 5% R/TP 4P E24
AR613	0RRZVTA001D	22 OHM 1 / 16 W 1608 5% R/TP 4P E24
AR614	0RRZVTA001D	22 OHM 1 / 16 W 1608 5% R/TP 4P E24
AR615	0RRZVTA001D	22 OHM 1 / 16 W 1608 5% R/TP 4P E24
AR616	0RRZVTA001D	22 OHM 1 / 16 W 1608 5% R/TP 4P E24
AR617	0RRZVTA001D	22 OHM 1 / 16 W 1608 5% R/TP 4P E24
AR618	0RRZVTA001D	22 OHM 1 / 16 W 1608 5% R/TP 4P E24
AR700	0RRZVTA001D	22 OHM 1 / 16 W 1608 5% R/TP 4P E24
AR701	0RRZVTA001D	22 OHM 1 / 16 W 1608 5% R/TP 4P E24
AR701	0RRZVTA001D	22 OHM 1 / 16 W 1608 5% R/TP 4P E24
AR702	0RRZVTA001D	22 OHM 1 / 16 W 1608 5% R/TP 4P E24
AR703	0RRZVTA001D	22 OHM 1 / 16 W 1608 5% R/TP 4P E24
AR707	0RRZVTA001D	22 OHM 1 / 16 W 1608 5% R/TP 4P E24
AR708	0RRZVTA001D	22 OHM 1 / 16 W 1608 5% R/TP 4P E24
AR709	0RRZVTA001D	22 OHM 1 / 16 W 1608 5% R/TP 4P E24
AR710	0RRZVTA001D	22 OHM 1 / 16 W 1608 5% R/TP 4P E24
AR711	0RRZVTA001D	22 OHM 1 / 16 W 1608 5% R/TP 4P E24
AR712	0RRZVTA001D	22 OHM 1 / 16 W 1608 5% R/TP 4P E24
AR713	0RRZVTA001D	22 OHM 1 / 16 W 1608 5% R/TP 4P E24
AR714	0RRZVTA001D	22 OHM 1 / 16 W 1608 5% R/TP 4P E24
AR715	0RRZVTA001D	22 OHM 1 / 16 W 1608 5% R/TP 4P E24
AR717	0RRZVTA001D	22 OHM 1 / 16 W 1608 5% R/TP 4P E24
AR718	0RRZVTA001D	22 OHM 1 / 16 W 1608 5% R/TP 4P E24
AR719	0RRZVTA001D	22 OHM 1 / 16 W 1608 5% R/TP 4P E24
R801	0RKZVTA001L	1.0M OHM 1/2 W 5% TA52 UL PILKOR
R802	0RKZVTA001L	1.0M OHM 1/2 W 5% TA52 UL PILKOR
SWITCH		
SW001	140-315A	TACT, SKHV17910B LG C&D NON 12V
SW002	140-315A	TACT, SKHV17910B LG C&D NON 12V
SW003	140-315A	TACT, SKHV17910B LG C&D NON 12V
SW004	140-315A	TACT, SKHV17910B LG C&D NON 12V
SW005	140-315A	TACT, SKHV17910B LG C&D NON 12V
SW006	140-315A	TACT, SKHV17910B LG C&D NON 12V
SW700	140-313B	TACT, 2LEAD 160G(TA) LG C&D NON
SW800	6600VM2006A	PUSH, SDDF3PATP011 250V 4A HORIZONTAL
SW800	140-275A	PUSH, JDPB21SA 30V 0.3A HORIZONTAL 500G
FILTER & CRYSTAL		
L100	6210VC0006A	FBMH3216 HM501NT3.2X1.6X1.6MM
L100	6210VC0006A	FBMH3216 HM501NT3.2X1.6X1.6MM
L1000	6210VC0006A	FBMH3216 HM501NT3.2X1.6X1.6MM
L1001	6210VC0006A	FBMH3216 HM501NT3.2X1.6X1.6MM
L1002	6210VC0006A	FBMH3216 HM501NT3.2X1.6X1.6MM
L1008	6210VC0006A	FBMH3216 HM501NT3.2X1.6X1.6MM
L1009	6210VC0006A	FBMH3216 HM501NT3.2X1.6X1.6MM
L101	6210VC0006A	FBMH3216 HM501NT3.2X1.6X1.6MM

LOCA. NO	PART NO	DESCRIPTION
L101	6210VC0006A	FBMH3216 HM501NT3.2X1.6X1.6MM
L1010	6210VC0006A	FBMH3216 HM501NT3.2X1.6X1.6MM
L1011	6210VC0006A	FBMH3216 HM501NT3.2X1.6X1.6MM
L1012	6210VC0006A	FBMH3216 HM501NT3.2X1.6X1.6MM
L1013	6210VC0006A	FBMH3216 HM501NT3.2X1.6X1.6MM
L1014	6210VC0006A	FBMH3216 HM501NT3.2X1.6X1.6MM
L1015	6210VC0006A	FBMH3216 HM501NT3.2X1.6X1.6MM
L1016	6210VC0006A	FBMH3216 HM501NT3.2X1.6X1.6MM
L1017	6210VC0006A	FBMH3216 HM501NT3.2X1.6X1.6MM
L1018	6210VC0006A	FBMH3216 HM501NT3.2X1.6X1.6MM
L1019	6210VC0006A	FBMH3216 HM501NT3.2X1.6X1.6MM
L102	6210VC0006A	FBMH3216 HM501NT3.2X1.6X1.6MM
L102	6210VC0006A	FBMH3216 HM501NT3.2X1.6X1.6MM
L103	6210VC0006A	FBMH3216 HM501NT3.2X1.6X1.6MM
L103	6210VC0006A	FBMH3216 HM501NT3.2X1.6X1.6MM
L104	6210VC0006A	FBMH3216 HM501NT3.2X1.6X1.6MM
L105	6210VC0006A	FBMH3216 HM501NT3.2X1.6X1.6MM
L105	6210VC0006A	FBMH3216 HM501NT3.2X1.6X1.6MM
L106	6210VC0006A	FBMH3216 HM501NT3.2X1.6X1.6MM
L107	6200JB8010L	MLB-201209-1000L-N2 1000OHM 350MA
L108	6200JB8010L	MLB-201209-1000L-N2 1000OHM 350MA
L1206	6210VC0006A	FBMH3216 HM501NT3.2X1.6X1.6MM
L1207	6210VC0006A	FBMH3216 HM501NT3.2X1.6X1.6MM
L1210	6210VC0006A	FBMH3216 HM501NT3.2X1.6X1.6MM
L1211	6210VC0006A	FBMH3216 HM501NT3.2X1.6X1.6MM
L1216	6210VC0006A	FBMH3216 HM501NT3.2X1.6X1.6MM
L1217	6210VC0006A	FBMH3216 HM501NT3.2X1.6X1.6MM
L1300	6210VC0006A	FBMH3216 HM501NT3.2X1.6X1.6MM
L1302	6210VC0006A	FBMH3216 HM501NT3.2X1.6X1.6MM
L1307	6210VC0006A	FBMH3216 HM501NT3.2X1.6X1.6MM
L1310	6210VC0006A	FBMH3216 HM501NT3.2X1.6X1.6MM
L1311	6210VC0006A	FBMH3216 HM501NT3.2X1.6X1.6MM
L1312	6210VC0006A	FBMH3216 HM501NT3.2X1.6X1.6MM
L1313	6210VC0006A	FBMH3216 HM501NT3.2X1.6X1.6MM
L1314	6210VC0006A	FBMH3216 HM501NT3.2X1.6X1.6MM
L1315	6210VC0006A	FBMH3216 HM501NT3.2X1.6X1.6MM
L1316	6210VC0006A	FBMH3216 HM501NT3.2X1.6X1.6MM
L1317	6210VC0006A	FBMH3216 HM501NT3.2X1.6X1.6MM
L1318	6210VC0006A	FBMH3216 HM501NT3.2X1.6X1.6MM
L1321	6210VC0006A	FBMH3216 HM501NT3.2X1.6X1.6MM
L1322	6210VC0006A	FBMH3216 HM501NT3.2X1.6X1.6MM
L1325	6210VC0006A	FBMH3216 HM501NT3.2X1.6X1.6MM
L1326	6210VC0006A	FBMH3216 HM501NT3.2X1.6X1.6MM
L1327	6210VC0006A	FBMH3216 HM501NT3.2X1.6X1.6MM
L1328	6210VC0006A	FBMH3216 HM501NT3.2X1.6X1.6MM
L1329	6210VC0006A	FBMH3216 HM501NT3.2X1.6X1.6MM
L1330	6210VC0006A	FBMH3216 HM501NT3.2X1.6X1.6MM
L1331	6210VC0006A	FBMH3216 HM501NT3.2X1.6X1.6MM
L1332	6210VC0006A	FBMH3216 HM501NT3.2X1.6X1.6MM
L1333	6210VC0006A	FBMH3216 HM501NT3.2X1.6X1.6MM
L200	6200JB8013L	BEAD FEELUX 60 OHM TB201209U060
L200	6210VC0006A	FBMH3216 HM501NT3.2X1.6X1.6MM

LOCA. NO	PART NO	DESCRIPTION
L201	6210VC0006A	FBMH3216 HM501NT3.2X1.6X1.6MM
L202	6210VC0006A	FBMH3216 HM501NT3.2X1.6X1.6MM
L203	6210VC0006A	FBMH3216 HM501NT3.2X1.6X1.6MM
L204	6210VC0006A	FBMH3216 HM501NT3.2X1.6X1.6MM
L205	6210VC0006A	FBMH3216 HM501NT3.2X1.6X1.6MM
L206	6210VC0006A	FBMH3216 HM501NT3.2X1.6X1.6MM
L208	6210VC0006A	FBMH3216 HM501NT3.2X1.6X1.6MM
L210	6200JB8010L	MLB-201209-1000L-N2 1000OHM 350MA
L211	6200JB8010L	MLB-201209-1000L-N2 1000OHM 350MA
L212	6200JB8010L	MLB-201209-1000L-N2 1000OHM 350MA
L213	6200JB8010L	MLB-201209-1000L-N2 1000OHM 350MA
L213	6210VC0006A	FBMH3216 HM501NT3.2X1.6X1.6MM
L214	6200JB8010L	MLB-201209-1000L-N2 1000OHM 350MA
L215	6200JB8010L	MLB-201209-1000L-N2 1000OHM 350MA
L216	6200JB8010L	MLB-201209-1000L-N2 1000OHM 350MA
L216	6210VC0006A	FBMH3216 HM501NT3.2X1.6X1.6MM
L300	6210VC0006A	FBMH3216 HM501NT3.2X1.6X1.6MM
L301	6210VC0006A	FBMH3216 HM501NT3.2X1.6X1.6MM
L302	6210VC0006A	FBMH3216 HM501NT3.2X1.6X1.6MM
L305	6210VC0005A	BK2125 HS 7502X1.25X0.85MM
L306	6210VC0005A	BK2125 HS 7502X1.25X0.85MM
L307	6210VC0005A	BK2125 HS 7502X1.25X0.85MM
L308	6210VC0006A	FBMH3216 HM501NT3.2X1.6X1.6MM
L309	6200JB8010L	MLB-201209-1000L-N2 1000OHM 350MA
L310	6200JB8010L	MLB-201209-1000L-N2 1000OHM 350MA
L311	6200JB8010L	MLB-201209-1000L-N2 1000OHM 350MA
L312	6200JB8010L	MLB-201209-1000L-N2 1000OHM 350MA
L313	6200JB8010L	MLB-201209-1000L-N2 1000OHM 350MA
L314	6200JB8010L	MLB-201209-1000L-N2 1000OHM 350MA
L400	6210VC0006A	FBMH3216 HM501NT3.2X1.6X1.6MM
L400	6210VC0006A	FBMH3216 HM501NT3.2X1.6X1.6MM
L401	6210VC0006A	FBMH3216 HM501NT3.2X1.6X1.6MM
L401	6210VC0006A	FBMH3216 HM501NT3.2X1.6X1.6MM
L402	6210VC0006A	FBMH3216 HM501NT3.2X1.6X1.6MM
L403	6210VC0006A	FBMH3216 HM501NT3.2X1.6X1.6MM
L404	6210VC0005A	BK2125 HS 7502X1.25X0.85MM
L405	6210VC0005A	BK2125 HS 7502X1.25X0.85MM
L406	6210VC0005A	BK2125 HS 7502X1.25X0.85MM
L407	6210VC0006A	FBMH3216 HM501NT3.2X1.6X1.6MM
L500	6210VC0006A	FBMH3216 HM501NT3.2X1.6X1.6MM
L501	6210VC0006A	FBMH3216 HM501NT3.2X1.6X1.6MM
L502	6210VC0006A	FBMH3216 HM501NT3.2X1.6X1.6MM
L503	6210VC0006A	FBMH3216 HM501NT3.2X1.6X1.6MM
L504	6210VC0006A	FBMH3216 HM501NT3.2X1.6X1.6MM
L505	6210VC0006A	FBMH3216 HM501NT3.2X1.6X1.6MM
L506	6210VC0006A	FBMH3216 HM501NT3.2X1.6X1.6MM
L507	6210VC0006A	FBMH3216 HM501NT3.2X1.6X1.6MM
L700	6210VC0006A	FBMH3216 HM501NT3.2X1.6X1.6MM
L800	6210VC0006A	FBMH3216 HM501NT3.2X1.6X1.6MM
L807	6200JB8010L	MLB-201209-1000L-N2 1000OHM 350MA
L808	6200JB8010L	MLB-201209-1000L-N2 1000OHM 350MA
R102	6200JB8010L	MLB-201209-1000L-N2 1000OHM 350MA

LOCA. NO	PART NO	DESCRIPTION
R103	6200JB8010L	MLB-201209-1000L-N2 1000OHM 350MA
R106	6200JB8010L	MLB-201209-1000L-N2 1000OHM 350MA
R107	6200JB8010L	MLB-201209-1000L-N2 1000OHM 350MA
R108	6200JB8010L	MLB-201209-1000L-N2 1000OHM 350MA
X500	6202VDT002K	CRYSTAL, SX-1 6MHZ 16PF TP .
X600	6202VDT002J	CRYSTAL, SX-1 13.500000MHZ 14PF
X600	6202VDB007B	CRYSTAL, HC49U 250MHZ 30PPM 13PF
X700	6202VDT002B	CRYSTAL, SX-1 SC14.3MHZ +/- 30 PPM 16PF
X700	6202VDB007B	CRYSTAL, HC49U 20.250MHZ 30PPM 13PF
X800	156-A02M	CRYSTAL, HC49U 432MHZ 30PPM 10PF BK
JACK		
JK103	6613V00026A	ASSEMBLY, UJB-03-28A UGCOM
JK200	6612M00009A	SCART, UJB-R1-033 UGCOM 21P
JK201	6612M00009A	SCART, UJB-R1-033 UGCOM 21P
JK202	6612M00009A	SCART, UJB-R1-033 UGCOM 21P
JK300	6612J00057A	RCA, UJB-08-01A UGCOM 8P RCA+1P S-JACK
P101	380-068E	PHONE, UEJ-CV-018 UGCOM D3.5 E/P
P102	6612BBBH6A	DIN, 440062-1 AMP DVI CED RIGHT ANGLE
P201	380-068E	PHONE, UEJ-CV-018 UGCOM D3.5 E/P
ACCESSORIES		
A1	3823VA0468F	MANUAL, OWNERS RF043B PX10/2 LG
A2	6710V00126R	REMOTE CONTROLLER, PIP RZ-42PY20 40
A3	6410VEH003C	POWER CORD, M2511A-001 2800MM
A4	6850J00003A	CABLE, DVIDVI-D TO DVI-D
A5	6850J00004A	CABLE, DVLVDS UL20276 AWG30 500MM
A6	6850VA0004E	CABLE, COAXIAL COAXIAL CALBE(PAL)
A7	6851V00022C	CABLE, COAXIAL COAXIAL(150MM)
A8	6866VA9001B	CONNECTOR (CIRC), D-SUB 2990-9C
MISCELLANEOUS		
F801	0FS1002B53K	FUSE, SLOW BLOW10000MA 250 V 5.2X20
F801A	430-813A	HOLDER, FUSE NON MC994C PAPIING
F802A	430-813A	HOLDER, FUSE NON MC994C PAPIING
P100	6630VGA001C	CONNECTOR (CIRC), D-SUB 68114-1521
P200	6630VGA004B	CONNECTOR (CIRC), D-SUB 69107-0921
PA001	6712000002A	REMOTE CONTROLLER RECEIVER
TU100	6700MF0010A	TUNER, TAUM-W501P 4SYSTEM MAIN
TU101	6700MF0010B	TUNER, TAFM-W502P 4SYSTEM SUB