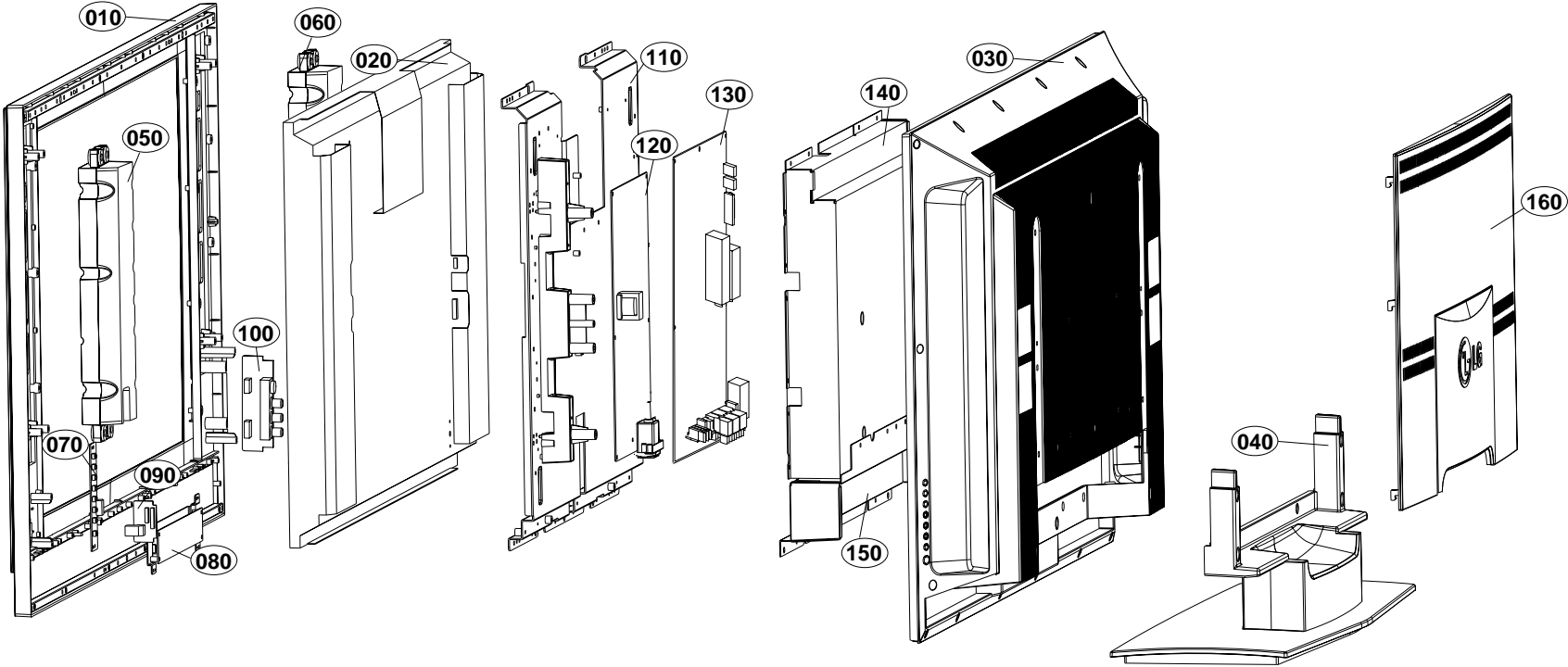


EXPLODED VIEW(RZ-37LZ31)

- 27 -

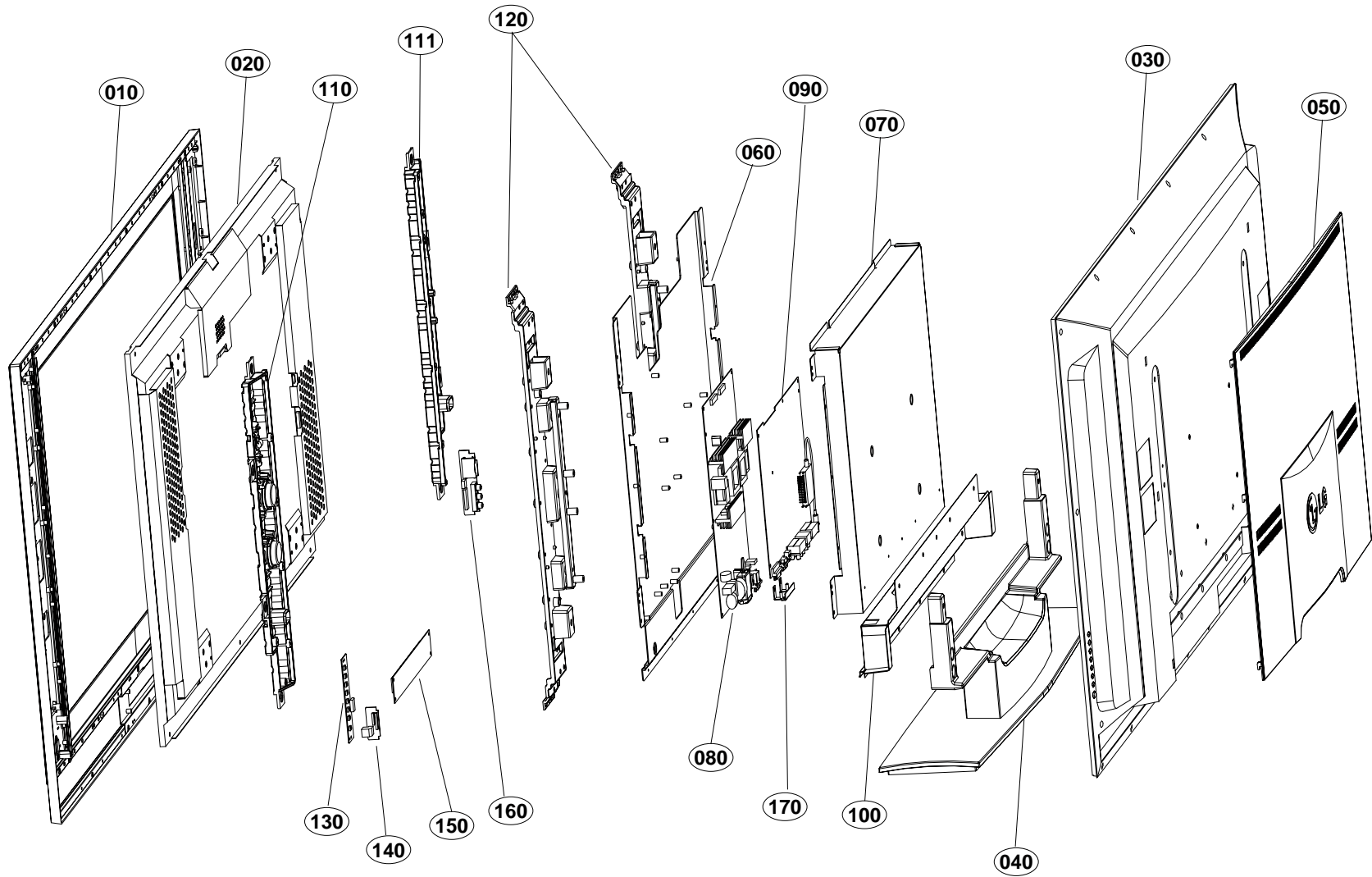


EXPLODED VIEW PARTS LIST(RZ-37LZ31)

No.	PART NO.	DESCRIPTION
010	3091TKE007H	CABINET ASSEMBLY, RT-37LZ30(C/SKD) BRAND . .
020	6304FLP291A	LCD(LIQUID CRYSTAL DISPLAY), LC370W01-C6K1 LG PHILPS TFT COLOR ODC
	or 6304FLP178A	LCD(LIQUID CRYSTAL DISPLAY), LC370W01-C6 LG PHILPS TFT COLOR P6 PLANT, ODC
030	3809TKE005R	BACK COVER ASSEMBLY, RZ-37LZ31 3808TKE007 CAMELEON(SCART), HF380(HB) C/SKD
040	3043TKK162B	TILT SWIVEL ASSEMBLY, RZ-37LZ30 . C/SKD
	3043TKK162E	TILT SWIVEL ASSEMBLY, RT/RZ-37LZ30 NT LOCAL ASSY PHANTOM
050	6401TZZ045B	SPEAKER ASSEMBLY, DN-37LZ30 8 OHM. LEFT
060	6401TZZ044C	SPEAKER ASSEMBLY, RT-37LZ30 8 OHM.RIGHT
070	6871TST790A	PWB(PCB) ASSEMBLY,SUB, RT-37LZ30 CONTROL TOTAL BRAND (CHAMELEON)
080	6871TST791A	PWB(PCB) ASSEMBLY,SUB, RT-37LZ30 LED & P/SW TOTAL BRAND (CHAMELEON)
090	6871TST792A	PWB(PCB) ASSEMBLY,SUB, RT-37LZ30 INTERFACE TOTAL BRAND (CHAMELEON)
100	6871TSH564A	PWB(PCB) ASSEMBLY,SUB, RZ-37LZ30 SUB HAND BRAND SIDE A/V
110	4951TKS162G	METAL ASSEMBLY, FRAME MAIN, RT-37LZ30(C/SKD)
120	6871TPT292B	PWB(PCB) ASSEMBLY,POWER, 37-42 CHAMELRON CHASSIS PSU POWER TOTAL BRAND KN-POWERTEK
	or 6871TPT292D	PWB(PCB) ASSEMBLY,POWER, 37-42 CHAMELRON CHASSIS PSU POWER TOTAL BRAND KN-POWERTEK (PB-FREE)
130	3313TP3022B	MAIN TOTAL ASSEMBLY, RZ-37/42LZ31 BRAND CL-70(RND)
140	4951TKK196B	METAL ASSEMBLY, REAR SHIELD, 37LZ30(C/SKD)
150	4951TKK200F	METAL ASSEMBLY, REAR METAL REAR AV, RZ-37LZ31(C/SKD)
160	3550TKK530D	COVER, RZ-37LZ30 REAR A/V, BK SPRAY(C/SKD)

EXPLODED VIEW(RZ-42LZ31)

- 29 -



EXPLODED VIEW PARTS LIST(RZ-42LZ31)

No.	PART NO.	DESCRIPTION
010	3091TKE015K	CABINET ASSEMBLY, RT-42LZ30 BRAND 3090V00554 SKD
020	6304FLP208A	LCD(LIQUID CRYSTAL DISPLAY), LC420W02-B6 LG PHILIPS TFT COLOR MINI LVDS, P6
	or 6304FLP286A	LCD(LIQUID CRYSTAL DISPLAY), LC420W02-B4K4 LG PHILIPS TFT COLOR B4K3 REV.
030	3809TKE015Q	BACK COVER ASSEMBLY, RZ-42LZ31 3808TKE009 51SF(HB) CL-70 FOR COMMON EUROPE SKD
040	3043TKK173D	TILT SWIVEL ASSEMBLY, RZ/RT-42LZ30 . FOR H-H(MODULE) SKD
	3043TKK173E	TILT SWIVEL ASSEMBLY, RZ/RT-42LZ30 NT LOCAL ASSY PHANTOM
050	3550TKK582D	COVER, RZ-42LZ31 REAR 7227S00023A(MID-LIGHT BLACK) SKD
060	4951TKS169H	METAL ASSEMBLY, FRAME RT-42LZ30 4950TKS298E CHAMELEON SKD
070	4951TKK192B	METAL ASSEMBLY, SHIELD 42LZ30 SKD 4950TKK888
080	6871TPT292B	PWB(PCB) ASSEMBLY,POWER, 37-42 CHAMELRON CHASSIS PSU POWER TOTAL BRAND KN-POWERTEK
	or 6871TPT292D	PWB(PCB) ASSEMBLY,POWER, 37-42 CHAMELRON CHASSIS PSU POWER TOTAL BRAND KN-POWERTEK (PB-FREE)
090	3313TP3022B	MAIN TOTAL ASSEMBLY, RZ-37/42LZ31 BRAND CL-70(RND)
100	4951TKK193L	METAL ASSEMBLY, REAR RZ-42LZ31(CHAMELEON) SKD
110	6401TZZ043E	SPEAKER ASSEMBLY, RT-42LZ30 20W 8OHM 1080M 4PIN 1CORE ESTEC(RIGHT)
111	6401TZZ051A	SPEAKER ASSEMBLY, DN-42LZ30 20W 8OHM 980MM 3PIN 1CORE ESTEC(LEFT)
120	4951TKK195B	METAL ASSEMBLY, SUPPORT (H-H MODULE) 42LZ30 SKD
130	6871TST790A	PWB(PCB) ASSEMBLY,SUB, RT-37LZ30 CONTROL TOTAL BRAND (CHAMELEON)
140	6871TST791A	PWB(PCB) ASSEMBLY,SUB, RT-37LZ30 LED & P/SW TOTAL BRAND (CHAMELEON)
150	6871TST792A	PWB(PCB) ASSEMBLY,SUB, RT-37LZ30 INTERFACE TOTAL BRAND (CHAMELEON)
160	6871TSH564A	PWB(PCB) ASSEMBLY,SUB, RZ-37LZ30 SUB HAND BRAND SIDE A/V
170	4950TKK918A	METAL, SUPPORT EGI ASSEMBLE TO POWER PCB(37",42")

REPLACEMENT PARTS LIST

For Capacitor & Resistors, the characters at 2nd and 3rd digit in the P/No. means as follows;	CC, CX, CK, CN, CH : Ceramic CQ : Polyester CE : Electrolytic CF : Fixed Film	RD : Carbon Film RS : Metal Oxide Film RN : Metal Film RH : CHIP, Metal Glazed(Chip) RR : Drawing
---	--	---

DATE: 2005. 06. 15.				
*S	*AL	LOC. NO.	PART NO.	DESCRIPTION / SPECIFICATION
MAIN BOARD				
CAPACITOR				
		C612	0CE477EF638	470UF KMG 16V M FM5 TP 5
		C619	0CE477EF638	470UF KMG 16V M FM5 TP 5
		C623	0CE477EF638	470UF KMG 16V M FM5 TP 5
		C680	0CE477EF638	470UF KMG 16V M FM5 TP 5
		C681	0CE477EF638	470UF KMG 16V M FM5 TP 5
		C225	0CH8336H611	33UF 25V M 85STD(CYL) R/TP
		C1001	0CH3104K566	0.1UF 50V 10% X7R 2012 R/TP
		C1002	0CH3104K566	0.1UF 50V 10% X7R 2012 R/TP
		C1003	0CH3104K566	0.1UF 50V 10% X7R 2012 R/TP
		C1004	0CH3104K566	0.1UF 50V 10% X7R 2012 R/TP
		C1005	0CH3104K566	0.1UF 50V 10% X7R 2012 R/TP
		C1006	0CH3104K566	0.1UF 50V 10% X7R 2012 R/TP
		C1007	0CH3104K566	0.1UF 50V 10% X7R 2012 R/TP
		C1010	0CH3104K566	0.1UF 50V 10% X7R 2012 R/TP
		C1011	0CH3104K566	0.1UF 50V 10% X7R 2012 R/TP
		C1019	0CH3104K566	0.1UF 50V 10% X7R 2012 R/TP
		C1025	0CH3104K566	0.1UF 50V 10% X7R 2012 R/TP
		C1029	0CH3104K566	0.1UF 50V 10% X7R 2012 R/TP
		C1032	0CH3104K566	0.1UF 50V 10% X7R 2012 R/TP
		C1035	0CH3104K566	0.1UF 50V 10% X7R 2012 R/TP
		C1036	0CH3104K566	0.1UF 50V 10% X7R 2012 R/TP
		C1037	0CH3104K566	0.1UF 50V 10% X7R 2012 R/TP
		C1038	0CH3104K566	0.1UF 50V 10% X7R 2012 R/TP
		C1039	0CH3104K566	0.1UF 50V 10% X7R 2012 R/TP
		C1049	0CH3104K566	0.1UF 50V 10% X7R 2012 R/TP
		C1050	0CH3104K566	0.1UF 50V 10% X7R 2012 R/TP
		C1053	0CH3104K566	0.1UF 50V 10% X7R 2012 R/TP
		C1055	0CH3104K566	0.1UF 50V 10% X7R 2012 R/TP
		C1056	0CH3104K566	0.1UF 50V 10% X7R 2012 R/TP
		C1059	0CH3104K566	0.1UF 50V 10% X7R 2012 R/TP
		C1060	0CH3104K566	0.1UF 50V 10% X7R 2012 R/TP
		C1062	0CH3104K566	0.1UF 50V 10% X7R 2012 R/TP
		C202	0CH3104K566	0.1UF 50V 10% X7R 2012 R/TP
		C243	0CH3103K516	10000PF 50V 10% B(Y5P) 2012
		C244	0CH3104K566	0.1UF 50V 10% X7R 2012 R/TP
		C249	0CH3103K516	10000PF 50V 10% B(Y5P) 2012
		C289	0CH3104K566	0.1UF 50V 10% X7R 2012 R/TP
		C290	0CH3104K566	0.1UF 50V 10% X7R 2012 R/TP
		C292	0CH3104K566	0.1UF 50V 10% X7R 2012 R/TP
		C293	0CH3104K566	0.1UF 50V 10% X7R 2012 R/TP
		C294	0CH3103K516	10000PF 50V 10% B(Y5P) 2012
		C295	0CH3103K516	10000PF 50V 10% B(Y5P) 2012
		C298	0CH3103K516	10000PF 50V 10% B(Y5P) 2012
		C320	0CH3104K566	0.1UF 50V 10% X7R 2012 R/TP
		C369	0CH3104K566	0.1UF 50V 10% X7R 2012 R/TP
		C370	0CH3104K566	0.1UF 50V 10% X7R 2012 R/TP
		C373	0CH3104K566	0.1UF 50V 10% X7R 2012 R/TP
		C377	0CH3104K566	0.1UF 50V 10% X7R 2012 R/TP
		C379	0CH3104K566	0.1UF 50V 10% X7R 2012 R/TP
		C401	0CH3104K566	0.1UF 50V 10% X7R 2012 R/TP
		C408	0CH3104K566	0.1UF 50V 10% X7R 2012 R/TP
		C4101	0CH3104K566	0.1UF 50V 10% X7R 2012 R/TP
		C418	0CH3104K566	0.1UF 50V 10% X7R 2012 R/TP
		C468	0CH3104K566	0.1UF 50V 10% X7R 2012 R/TP

DATE: 2005. 06. 15.				
*S	*AL	LOC. NO.	PART NO.	DESCRIPTION / SPECIFICATION
			C469	0CH3104K566 0.1UF 50V 10% X7R 2012 R/TP
			C470	0CH3104K566 0.1UF 50V 10% X7R 2012 R/TP
			C471	0CH3104K566 0.1UF 50V 10% X7R 2012 R/TP
			C472	0CH3104K566 0.1UF 50V 10% X7R 2012 R/TP
			C473	0CH3104K566 0.1UF 50V 10% X7R 2012 R/TP
			C474	0CH3104K566 0.1UF 50V 10% X7R 2012 R/TP
			C475	0CH3104K566 0.1UF 50V 10% X7R 2012 R/TP
			C476	0CH3104K566 0.1UF 50V 10% X7R 2012 R/TP
			C477	0CH3104K566 0.1UF 50V 10% X7R 2012 R/TP
			C478	0CH3104K566 0.1UF 50V 10% X7R 2012 R/TP
			C479	0CH3104K566 0.1UF 50V 10% X7R 2012 R/TP
			C480	0CH3104K566 0.1UF 50V 10% X7R 2012 R/TP
			C481	0CH3104K566 0.1UF 50V 10% X7R 2012 R/TP
			C482	0CH3104K566 0.1UF 50V 10% X7R 2012 R/TP
			C483	0CH3104K566 0.1UF 50V 10% X7R 2012 R/TP
			C484	0CH3104K566 0.1UF 50V 10% X7R 2012 R/TP
			C487	0CH3104K566 0.1UF 50V 10% X7R 2012 R/TP
			C488	0CH3104K566 0.1UF 50V 10% X7R 2012 R/TP
			C489	0CH3104K566 0.1UF 50V 10% X7R 2012 R/TP
			C490	0CH3104K566 0.1UF 50V 10% X7R 2012 R/TP
			C491	0CH3104K566 0.1UF 50V 10% X7R 2012 R/TP
			C492	0CH3104K566 0.1UF 50V 10% X7R 2012 R/TP
			C493	0CH3104K566 0.1UF 50V 10% X7R 2012 R/TP
			C494	0CH3104K566 0.1UF 50V 10% X7R 2012 R/TP
			C495	0CH3104K566 0.1UF 50V 10% X7R 2012 R/TP
			C496	0CH3104K566 0.1UF 50V 10% X7R 2012 R/TP
			C497	0CH3104K566 0.1UF 50V 10% X7R 2012 R/TP
			C498	0CH3104K566 0.1UF 50V 10% X7R 2012 R/TP
			C499	0CH3104K566 0.1UF 50V 10% X7R 2012 R/TP
			C507	0CH3104K566 0.1UF 50V 10% X7R 2012 R/TP
			C530	0CH3104K566 0.1UF 50V 10% X7R 2012 R/TP
			C531	0CH3104K566 0.1UF 50V 10% X7R 2012 R/TP
			C532	0CH3104K566 0.1UF 50V 10% X7R 2012 R/TP
			C537	0CH3104K566 0.1UF 50V 10% X7R 2012 R/TP
			C578	0CH3103K516 10000PF 50V 10% B(Y5P) 2012
			C582	0CH3104K566 0.1UF 50V 10% X7R 2012 R/TP
			C604	0CH3105H946 "1UF 2012 25V 80%, -20% F(Y5V)"
			C606	0CH3103K516 10000PF 50V 10% B(Y5P) 2012
			C614	0CH3103K516 10000PF 50V 10% B(Y5P) 2012
			C620	0CH3103K516 10000PF 50V 10% B(Y5P) 2012
			C625	0CH3104K566 0.1UF 50V 10% X7R 2012 R/TP
			C629	0CH3103K516 10000PF 50V 10% B(Y5P) 2012
			C630	0CH3103K516 10000PF 50V 10% B(Y5P) 2012
			C633	0CH3104K566 0.1UF 50V 10% X7R 2012 R/TP
			C640	0CH3104K566 0.1UF 50V 10% X7R 2012 R/TP
			C645	0CH3104K566 0.1UF 50V 10% X7R 2012 R/TP
			C648	0CH3104K566 0.1UF 50V 10% X7R 2012 R/TP
			C650	0CH3104K566 0.1UF 50V 10% X7R 2012 R/TP
			C655	0CH3104K566 0.1UF 50V 10% X7R 2012 R/TP
			C669	0CH3104K566 0.1UF 50V 10% X7R 2012 R/TP
			C673	0CH3104K566 0.1UF 50V 10% X7R 2012 R/TP
			C677	0CH3103K516 10000PF 50V 10% B(Y5P) 2012
			C679	0CH3103K516 10000PF 50V 10% B(Y5P) 2012
			C682	0CH3104K566 0.1UF 50V 10% X7R 2012 R/TP

DATE: 2005. 06. 15.				
*S	*AL	LOC. NO.	PART NO.	DESCRIPTION / SPECIFICATION
		C358	0CK104CK56A	0.1UF 1608 50V 10% R/TP X7R
		C360	0CK104CK56A	0.1UF 1608 50V 10% R/TP X7R
		C365	0CK104CK56A	0.1UF 1608 50V 10% R/TP X7R
		C368	0CK104CK56A	0.1UF 1608 50V 10% R/TP X7R
		C376	0CK104CK56A	0.1UF 1608 50V 10% R/TP X7R
		C381	0CK104CK56A	0.1UF 1608 50V 10% R/TP X7R
		C382	0CK104CK56A	0.1UF 1608 50V 10% R/TP X7R
		C402	0CK104CK56A	0.1UF 1608 50V 10% R/TP X7R
		C403	0CK103CK51A	0.01UF 1608 50V 10% R/TP B(Y
		C404	0CK103CK51A	0.01UF 1608 50V 10% R/TP B(Y
		C405	0CK103CK51A	0.01UF 1608 50V 10% R/TP B(Y
		C406	0CK104CK56A	0.1UF 1608 50V 10% R/TP X7R
		C409	0CK104CK56A	0.1UF 1608 50V 10% R/TP X7R
		C411	0CK104CK56A	0.1UF 1608 50V 10% R/TP X7R
		C412	0CK104CK56A	0.1UF 1608 50V 10% R/TP X7R
		C413	0CK104CK56A	0.1UF 1608 50V 10% R/TP X7R
		C414	0CK104CK56A	0.1UF 1608 50V 10% R/TP X7R
		C415	0CK104CK56A	0.1UF 1608 50V 10% R/TP X7R
		C416	0CK104CK56A	0.1UF 1608 50V 10% R/TP X7R
		C417	0CK104CK56A	0.1UF 1608 50V 10% R/TP X7R
		C420	0CK104CK56A	0.1UF 1608 50V 10% R/TP X7R
		C427	0CK104CK56A	0.1UF 1608 50V 10% R/TP X7R
		C428	0CK104CK56A	0.1UF 1608 50V 10% R/TP X7R
		C435	0CK104CK56A	0.1UF 1608 50V 10% R/TP X7R
		C459	0CK104CK56A	0.1UF 1608 50V 10% R/TP X7R
		C460	0CK104CK56A	0.1UF 1608 50V 10% R/TP X7R
		C461	0CK104CK56A	0.1UF 1608 50V 10% R/TP X7R
		C462	0CK104CK56A	0.1UF 1608 50V 10% R/TP X7R
		C501	0CK224CF56A	0.22UF 1608 16V 10% R/TP X7R
		C5012	0CK474CH94A	"0.47UF 1608 25V 80%,-20% R/T"
		C5013	0CK474CH94A	"0.47UF 1608 25V 80%,-20% R/T"
		C5014	0CK474CH94A	"0.47UF 1608 25V 80%,-20% R/T"
		C502	0CK224CF56A	0.22UF 1608 16V 10% R/TP X7R
		C5020	0CK103CK51A	0.01UF 1608 50V 10% R/TP B(Y
		C5022	0CK474CH94A	"0.47UF 1608 25V 80%,-20% R/T"
		C506	0CK224CF56A	0.22UF 1608 16V 10% R/TP X7R
		C508	0CK224CF56A	0.22UF 1608 16V 10% R/TP X7R
		C509	0CK104CK56A	0.1UF 1608 50V 10% R/TP X7R
		C510	0CK104CK56A	0.1UF 1608 50V 10% R/TP X7R
		C511	0CK104CK56A	0.1UF 1608 50V 10% R/TP X7R
		C512	0CK104CK56A	0.1UF 1608 50V 10% R/TP X7R
		C513	0CK224CF56A	0.22UF 1608 16V 10% R/TP X7R
		C514	0CK224CF56A	0.22UF 1608 16V 10% R/TP X7R
		C515	0CK224CF56A	0.22UF 1608 16V 10% R/TP X7R
		C519	0CK224CF56A	0.22UF 1608 16V 10% R/TP X7R
		C520	0CK104CK56A	0.1UF 1608 50V 10% R/TP X7R
		C529	0CK103CK51A	0.01UF 1608 50V 10% R/TP B(Y
		C533	0CK104CK56A	0.1UF 1608 50V 10% R/TP X7R
		C535	0CK103CK51A	0.01UF 1608 50V 10% R/TP B(Y
		C542	0CK474CH94A	"0.47UF 1608 25V 80%,-20% R/T"
		C543	0CK104CK56A	0.1UF 1608 50V 10% R/TP X7R
		C545	0CK104CK56A	0.1UF 1608 50V 10% R/TP X7R
		C547	0CH3105H946	"1UF 2012 25V 80%,-20% F(Y5V)"
		C549	0CK474CH94A	"0.47UF 1608 25V 80%,-20% R/T"
		C550	0CK105CF94A	"1UF 1608 16V 80%,-20% R/TP F"
		C551	0CK474CH94A	"0.47UF 1608 25V 80%,-20% R/T"
		C553	0CK105CF94A	"1UF 1608 16V 80%,-20% R/TP F"
		C554	0CK105CF94A	"1UF 1608 16V 80%,-20% R/TP F"
		C555	0CK105CF94A	"1UF 1608 16V 80%,-20% R/TP F"
		C556	0CK105CF94A	"1UF 1608 16V 80%,-20% R/TP F"
		C557	0CK152CK51A	1500PF 1608 50V 10% R/TP B(Y
		C558	0CK474CH94A	"0.47UF 1608 25V 80%,-20% R/T"

DATE: 2005. 06. 15.				
*S	*AL	LOC. NO.	PART NO.	DESCRIPTION / SPECIFICATION
		C559	0CK104CK56A	0.1UF 1608 50V 10% R/TP X7R
		C560	0CK152CK51A	1500PF 1608 50V 10% R/TP B(Y
		C563	0CH3105H946	"1UF 2012 25V 80%,-20% F(Y5V)"
		C565	0CK104CK56A	0.1UF 1608 50V 10% R/TP X7R
		C566	0CK104CK56A	0.1UF 1608 50V 10% R/TP X7R
		C567	0CK474CH94A	"0.47UF 1608 25V 80%,-20% R/T"
		C568	0CK103CK51A	0.01UF 1608 50V 10% R/TP B(Y
		C570	0CK474CH94A	"0.47UF 1608 25V 80%,-20% R/T"
		C571	0CK474CH94A	"0.47UF 1608 25V 80%,-20% R/T"
		C572	0CK103CK51A	0.01UF 1608 50V 10% R/TP B(Y
		C574	0CK332CK51A	3300PF 1608 50V 10% R/TP B(Y
		C575	0CK332CK51A	3300PF 1608 50V 10% R/TP B(Y
		C576	0CK474CH94A	"0.47UF 1608 25V 80%,-20% R/T"
		C579	0CK104CK56A	0.1UF 1608 50V 10% R/TP X7R
		C580	0CK104CK56A	0.1UF 1608 50V 10% R/TP X7R
		C607	0CK104CK56A	0.1UF 1608 50V 10% R/TP X7R
		C609	0CK104CK56A	0.1UF 1608 50V 10% R/TP X7R
		C610	0CK104CK56A	0.1UF 1608 50V 10% R/TP X7R
		C611	0CK103CK51A	0.01UF 1608 50V 10% R/TP B(Y
		C615	0CK105CF94A	"1UF 1608 16V 80%,-20% R/TP F"
		C617	0CK104CK56A	0.1UF 1608 50V 10% R/TP X7R
		C621	0CK104CK56A	0.1UF 1608 50V 10% R/TP X7R
		C622	0CK103CK51A	0.01UF 1608 50V 10% R/TP B(Y
		C639	0CK104CK56A	0.1UF 1608 50V 10% R/TP X7R
		C643	0CK104CK56A	0.1UF 1608 50V 10% R/TP X7R
		C654	0CK104CK56A	0.1UF 1608 50V 10% R/TP X7R
		C664	0CK104CK56A	0.1UF 1608 50V 10% R/TP X7R
		C716	0CK152CK51A	1500PF 1608 50V 10% R/TP B(Y
		C718	0CK152CK51A	1500PF 1608 50V 10% R/TP B(Y
		C804	0CK104CK56A	0.1UF 1608 50V 10% R/TP X7R
		C805	0CK104CK56A	0.1UF 1608 50V 10% R/TP X7R
		C811	0CK104CK56A	0.1UF 1608 50V 10% R/TP X7R
		C812	0CK104CK56A	0.1UF 1608 50V 10% R/TP X7R
		C814	0CK104CK56A	0.1UF 1608 50V 10% R/TP X7R
		C815	0CK104CK56A	0.1UF 1608 50V 10% R/TP X7R
		C816	0CK104CK56A	0.1UF 1608 50V 10% R/TP X7R
		C817	0CK104CK56A	0.1UF 1608 50V 10% R/TP X7R
		C824	0CK104CK56A	0.1UF 1608 50V 10% R/TP X7R
		C825	0CK104CK56A	0.1UF 1608 50V 10% R/TP X7R
		C828	0CK104CK56A	0.1UF 1608 50V 10% R/TP X7R
		C836	0CK104CK56A	0.1UF 1608 50V 10% R/TP X7R
		C9001	0CK473CK56A	47000PF 1608 50V 10% R/TP X7
		C9010	0CK104CK56A	0.1UF 1608 50V 10% R/TP X7R
		C9011	0CK104CK56A	0.1UF 1608 50V 10% R/TP X7R
		C905	0CK104CK56A	0.1UF 1608 50V 10% R/TP X7R
		C906	0CK104CK56A	0.1UF 1608 50V 10% R/TP X7R
		C909	0CK104CK56A	0.1UF 1608 50V 10% R/TP X7R
		C912	0CK104CK56A	0.1UF 1608 50V 10% R/TP X7R
		C918	0CK104CK56A	0.1UF 1608 50V 10% R/TP X7R
		C921	0CK104CK56A	0.1UF 1608 50V 10% R/TP X7R
		C922	0CK104CK56A	0.1UF 1608 50V 10% R/TP X7R
		C926	0CK104CK56A	0.1UF 1608 50V 10% R/TP X7R
		C934	0CK104CK56A	0.1UF 1608 50V 10% R/TP X7R
		C935	0CK104CK56A	0.1UF 1608 50V 10% R/TP X7R
		C937	0CK104CK56A	0.1UF 1608 50V 10% R/TP X7R
		C938	0CK104CK56A	0.1UF 1608 50V 10% R/TP X7R
		C939	0CK104CK56A	0.1UF 1608 50V 10% R/TP X7R
		C946	0CK104CK56A	0.1UF 1608 50V 10% R/TP X7R
		C952	0CK104CK56A	0.1UF 1608 50V 10% R/TP X7R
		C955	0CK104CK56A	0.1UF 1608 50V 10% R/TP X7R
		C963	0CK104CK56A	0.1UF 1608 50V 10% R/TP X7R
		C964	0CK104CK56A	0.1UF 1608 50V 10% R/TP X7R

DATE: 2005. 06. 15.				
*S	*AL	LOC. NO.	PART NO.	DESCRIPTION / SPECIFICATION
		C974	0CK104CK56A	0.1UF 1608 50V 10% R/TP X7R
		C977	0CK104CK56A	0.1UF 1608 50V 10% R/TP X7R
		C979	0CK104CK56A	0.1UF 1608 50V 10% R/TP X7R
		C985	0CK104CK56A	0.1UF 1608 50V 10% R/TP X7R
		C997	0CK473CK56A	47000PF 1608 50V 10% R/TP X7
		C231	0CH6680K416	68PF 2012 50V 5% NP0 R/TP
		C269	0CC270DK41A	27PF 2012 50V 5% NP0 R/TP
		C270	0CC270DK41A	27PF 2012 50V 5% NP0 R/TP
		C546	0CH6560K416	56PF 2012 50V 5% NP0 -
		C548	0CH6560K416	56PF 2012 50V 5% NP0 -
		C947	0CH6100K116	10PF 2012 50V 0.5 PF C0G R/T
		C1016	0CC330CK41A	33PF 1608 50V 5% R/TP NP0
		C1020	0CC330CK41A	33PF 1608 50V 5% R/TP NP0
		C1112	0CC101CK41A	100PF 1608 50V 5% R/TP NP0
		C1113	0CC3R3CK01A	3.3PF 1608 50V 0.25 PF R/TP
		C1114	0CC151CK41A	150PF 1608 50V 5% NP0 R/TP
		C112	0CC101CK41A	100PF 1608 50V 5% R/TP NP0
		C117	0CC101CK41A	100PF 1608 50V 5% R/TP NP0
		C123	0CC101CK41A	100PF 1608 50V 5% R/TP NP0
		C125	0CC270CK41A	27PF 1608 50V 5% R/TP NP0
		C126	0CC270CK41A	27PF 1608 50V 5% R/TP NP0
		C127	0CC270CK41A	27PF 1608 50V 5% R/TP NP0
		C140	0CC101CK41A	100PF 1608 50V 5% R/TP NP0
		C143	0CC101CK41A	100PF 1608 50V 5% R/TP NP0
		C204	0CC151CK41A	150PF 1608 50V 5% NP0 R/TP
		C301	0CC820CK41A	82PF 1608 50V 5% NP0 R/TP
		C302	0CC820CK41A	82PF 1608 50V 5% NP0 R/TP
		C303	0CC820CK41A	82PF 1608 50V 5% NP0 R/TP
		C340	0CC102CK41A	1000PF 1608 50V 5% R/TP NP0
		C429	0CC150CK41A	15PF 1608 50V 5% R/TP NP0
		C463	0CC220CK41A	22PF 1608 50V 5% R/TP NP0
		C464	0CC220CK41A	22PF 1608 50V 5% R/TP NP0
		C503	0CC102CK41A	1000PF 1608 50V 5% R/TP NP0
		C504	0CC102CK41A	1000PF 1608 50V 5% R/TP NP0
		C539	0CC102CK41A	1000PF 1608 50V 5% R/TP NP0
		C540	0CC102CK41A	1000PF 1608 50V 5% R/TP NP0
		C541	0CC101CK41A	100PF 1608 50V 5% R/TP NP0
		C544	0CC560CK41A	56PF 1608 50V 5% R/TP NP0
		C552	0CC3R3CK01A	3.3PF 1608 50V 0.25 PF R/TP
		C561	0CC221CK41A	220PF 1608 50V 5% R/TP NP0
		C562	0CC3R3CK01A	3.3PF 1608 50V 0.25 PF R/TP
		C569	0CC102CK41A	1000PF 1608 50V 5% R/TP NP0
		C573	0CC102CK41A	1000PF 1608 50V 5% R/TP NP0
		C605	0CC102CK41A	1000PF 1608 50V 5% R/TP NP0
		C618	0CC102CK41A	1000PF 1608 50V 5% R/TP NP0
		C636	0CC102CK41A	1000PF 1608 50V 5% R/TP NP0
		C702	0CC471CK41A	470PF 1608 50V 5% R/TP NP0
		C704	0CC471CK41A	470PF 1608 50V 5% R/TP NP0
		C706	0CC471CK41A	470PF 1608 50V 5% R/TP NP0
		C708	0CC471CK41A	470PF 1608 50V 5% R/TP NP0
		C713	0CC471CK41A	470PF 1608 50V 5% R/TP NP0
		C714	0CC471CK41A	470PF 1608 50V 5% R/TP NP0
		C730	0CC471CK41A	470PF 1608 50V 5% R/TP NP0
		C732	0CC471CK41A	470PF 1608 50V 5% R/TP NP0
		C901	0CC3R3CK01A	3.3PF 1608 50V 0.25 PF R/TP
		C9012	0CC821CK41A	820PF 1608 50V 5% R/TP NP0
		C902	0CC3R3CK01A	3.3PF 1608 50V 0.25 PF R/TP
		C948	0CC821CK41A	820PF 1608 50V 5% R/TP NP0
		C965	0CC270CK41A	27PF 1608 50V 5% R/TP NP0
		C966	0CC270CK41A	27PF 1608 50V 5% R/TP NP0
		C995	0CC221CK41A	220PF 1608 50V 5% R/TP NP0
		C996	0CC331CK41A	330PF 1608 50V 5% R/TP NP0

DATE: 2005. 06. 15.				
*S	*AL	LOC. NO.	PART NO.	DESCRIPTION / SPECIFICATION
		C998	0CC101CK41A	100PF 1608 50V 5% R/TP NP0
		C999	0CC151CK41A	150PF 1608 50V 5% NP0 R/TP
		C1023	0CH8106F691	10UF 16V 20% 105STD (CYL) R/
		C1024	0CE227VF6DC	220UF MV 16V 20% R/TP(SMD) S
		C1033	0CH8106F691	10UF 16V 20% 105STD (CYL) R/
		C1034	0CH8106F691	10UF 16V 20% 105STD (CYL) R/
		C1042	0CH8106F691	10UF 16V 20% 105STD (CYL) R/
		C1052	0CH8106F691	10UF 16V 20% 105STD (CYL) R/
		C1057	0CE227VF6DC	220UF MV 16V 20% R/TP(SMD) S
		C1061	0CH8106F691	10UF 16V 20% 105STD (CYL) R/
		C1068	0CH8106F691	10UF 16V 20% 105STD (CYL) R/
		C1111	0CH8226F691	22UF 16V 20% 105STD (CYL) R/
		C201	0CH8106F691	10UF 16V 20% 105STD (CYL) R/
		C205	0CE225VK6DC	2.2UF MV 50V 20% R/TP(SMD) S
		C212	0CE225VK6DC	2.2UF MV 50V 20% R/TP(SMD) S
		C222	0CE335VK6DC	3.3UF MV 50V 20% R/TP(SMD) S
		C227	0CE225VK6DC	2.2UF MV 50V 20% R/TP(SMD) S
		C228	0CE225VK6DC	2.2UF MV 50V 20% R/TP(SMD) S
		C233	0CE227VF6DC	220UF MV 16V 20% R/TP(SMD) S
		C238	0CE227VF6DC	220UF MV 16V 20% R/TP(SMD) S
		C256	0CE475VK6DC	4.7UF MV 50V 20% R/TP(SMD) S
		C257	0CE107WF6DC	100UF MVK 16V 20% R/TP(SMD)
		C288	0CH8226F691	22UF 16V 20% 105STD (CYL) R/
		C291	0CH8226F691	22UF 16V 20% 105STD (CYL) R/
		C304	0CH8106F691	10UF 16V 20% 105STD (CYL) R/
		C349	0CH8106F691	10UF 16V 20% 105STD (CYL) R/
		C366	0CH8106F691	10UF 16V 20% 105STD (CYL) R/
		C407	0CH8226F691	22UF 16V 20% 105STD (CYL) R/
		C410	0CE335VK6DC	3.3UF MV 50V 20% R/TP(SMD) S
		C5015	0CH8106F691	10UF 16V 20% 105STD (CYL) R/
		C5019	0CH8106F691	10UF 16V 20% 105STD (CYL) R/
		C505	0CE227VF6DC	220UF MV 16V 20% R/TP(SMD) S
		C524	0CH8106F691	10UF 16V 20% 105STD (CYL) R/
		C525	0CH8106F691	10UF 16V 20% 105STD (CYL) R/
		C526	0CH8106F691	10UF 16V 20% 105STD (CYL) R/
		C527	0CE476WF6DC	47UF MVK 16V 20% R/TP(SMD) S
		C528	0CE475VK6DC	4.7UF MV 50V 20% R/TP(SMD) S
		C534	0CH8476K611	47UF 50V 20% 85STD (CYL) R/T
		C536	0CE107WF6DC	100UF MVK 16V 20% R/TP(SMD)
		C538	0CH8476K611	47UF 50V 20% 85STD (CYL) R/T
		C564	0CH8476K611	47UF 50V 20% 85STD (CYL) R/T
		C577	0CE107WF6DC	100UF MVK 16V 20% R/TP(SMD)
		C581	0CE107WF6DC	100UF MVK 16V 20% R/TP(SMD)
		C608	0CH8476K611	47UF 50V 20% 85STD (CYL) R/T
		C616	0CE227VF6DC	220UF MV 16V 20% R/TP(SMD) S
		C624	0CH8226F691	22UF 16V 20% 105STD (CYL) R/
		C627	0CH8476K611	47UF 50V 20% 85STD (CYL) R/T
		C628	0CH8476K611	47UF 50V 20% 85STD (CYL) R/T
		C632	0CE227VF6DC	220UF MV 16V 20% R/TP(SMD) S
		C637	0CE227VF6DC	220UF MV 16V 20% R/TP(SMD) S
		C638	0CE227VF6DC	220UF MV 16V 20% R/TP(SMD) S
		C642	0CE107WF6DC	100UF MVK 16V 20% R/TP(SMD)
		C646	0CH8226F691	22UF 16V 20% 105STD (CYL) R/
		C651	0CE227VF6DC	220UF MV 16V 20% R/TP(SMD) S
		C652	0CE107WF6DC	100UF MVK 16V 20% R/TP(SMD)
		C659	0CE227VF6DC	220UF MV 16V 20% R/TP(SMD) S
		C666	0CH8226F691	22UF 16V 20% 105STD (CYL) R/
		C667	0CH8226F691	22UF 16V 20% 105STD (CYL) R/
		C671	0CE107WF6DC	100UF MVK 16V 20% R/TP(SMD)
		C672	0CE227VF6DC	220UF MV 16V 20% R/TP(SMD) S
		C678	0CH8106F691	10UF 16V 20% 105STD (CYL) R/
		C683	0CH8476K611	47UF 50V 20% 85STD (CYL) R/T

DATE: 2005. 06. 15.				
*S	*AL	LOC. NO.	PART NO.	DESCRIPTION / SPECIFICATION
		C733	0CE227VF6DC	220UF MV 16V 20% R/TP(SMD) S
		C734	0CE107WF6DC	100UF MVK 16V 20% R/TP(SMD)
		C735	0CE107WF6DC	100UF MVK 16V 20% R/TP(SMD)
		C741	0CH8106F691	10UF 16V 20% 105STD (CYL) R/
		C742	0CH8106F691	10UF 16V 20% 105STD (CYL) R/
		C743	0CH8106F691	10UF 16V 20% 105STD (CYL) R/
		C744	0CH8106F691	10UF 16V 20% 105STD (CYL) R/
		C803	0CE107WF6DC	100UF MVK 16V 20% R/TP(SMD)
		C813	0CE107WF6DC	100UF MVK 16V 20% R/TP(SMD)
		C823	0CE107WF6DC	100UF MVK 16V 20% R/TP(SMD)
		C834	0CE107WF6DC	100UF MVK 16V 20% R/TP(SMD)
		C835	0CE107WF6DC	100UF MVK 16V 20% R/TP(SMD)
		C839	0CE227VF6DC	220UF MV 16V 20% R/TP(SMD) S
		C9016	0CE335VK6DC	3.3UF MV 50V 20% R/TP(SMD) S
		C9017	0CE335VK6DC	3.3UF MV 50V 20% R/TP(SMD) S
		C9018	0CE335VK6DC	3.3UF MV 50V 20% R/TP(SMD) S
		C9019	0CE335VK6DC	3.3UF MV 50V 20% R/TP(SMD) S
		C9020	0CE335VK6DC	3.3UF MV 50V 20% R/TP(SMD) S
		C903	0CE227VF6DC	220UF MV 16V 20% R/TP(SMD) S
		C904	0CH8226F691	22UF 16V 20% 105STD (CYL) R/
		C914	0CE227VF6DC	220UF MV 16V 20% R/TP(SMD) S
		C915	0CE227VF6DC	220UF MV 16V 20% R/TP(SMD) S
		C916	0CH8226F691	22UF 16V 20% 105STD (CYL) R/
		C925	0CH8226F691	22UF 16V 20% 105STD (CYL) R/
		C931	0CH8226F691	22UF 16V 20% 105STD (CYL) R/
		C936	0CH8226F691	22UF 16V 20% 105STD (CYL) R/
		C953	0CE107WF6DC	100UF MVK 16V 20% R/TP(SMD)
		C967	0CE227VF6DC	220UF MV 16V 20% R/TP(SMD) S
		C968	0CH8105K691	1UF 50V 20% 105STD (CYL) R/T
		C978	0CH8226F691	22UF 16V 20% 105STD (CYL) R/
		C982	0CE337VF6DC	330UF MV 16V 20% R/TP(SMD) S
DIODES				
		U102	0DRCE00018A	"PACDN004SR,LF CAMD R/TP SOT1"
		U103	0DRCE00018A	"PACDN004SR,LF CAMD R/TP SOT1"
		U105	0DRCE00018A	"PACDN004SR,LF CAMD R/TP SOT1"
		U106	0DRCE00018A	"PACDN004SR,LF CAMD R/TP SOT1"
		U108	0DRCE00018A	"PACDN004SR,LF CAMD R/TP SOT1"
		U109	0DRCE00018A	"PACDN004SR,LF CAMD R/TP SOT1"
		U110	0DRCE00018A	"PACDN004SR,LF CAMD R/TP SOT1"
		U111	0DRCE00018A	"PACDN004SR,LF CAMD R/TP SOT1"
		D101	0DS226009AA	KDS226 TP KEC - 80V - - 4NSE
		D102	0DS226009AA	KDS226 TP KEC - 80V - - 4NSE
		D103	0DS226009AA	KDS226 TP KEC - 80V - - 4NSE
		D104	0DS226009AA	KDS226 TP KEC - 80V - - 4NSE
		D105	0DS226009AA	KDS226 TP KEC - 80V - - 4NSE
		D106	0DSON00138A	"MMBD301LT1G,LF ON SEMI R/TP"
		D107	0DSON00138A	"MMBD301LT1G,LF ON SEMI R/TP"
		D108	0DSON00138A	"MMBD301LT1G,LF ON SEMI R/TP"
		D109	0DSON00138A	"MMBD301LT1G,LF ON SEMI R/TP"
		D505	0DSON00138A	"MMBD301LT1G,LF ON SEMI R/TP"
		D506	0DSON00138A	"MMBD301LT1G,LF ON SEMI R/TP"
		D507	0DSON00138A	"MMBD301LT1G,LF ON SEMI R/TP"
		D508	0DSON00138A	"MMBD301LT1G,LF ON SEMI R/TP"
		D601	0DS226009AA	KDS226 TP KEC - 80V - - 4NSE
		D603	0DS226009AA	KDS226 TP KEC - 80V - - 4NSE
		D604	0DS226009AA	KDS226 TP KEC - 80V - - 4NSE
		ZD501	0DZ560009DA	UDZ S 5.6B TP ROHM-K SOD323
		ZD502	0DZ560009DA	UDZ S 5.6B TP ROHM-K SOD323
		ZD506	0DZ560009DA	UDZ S 5.6B TP ROHM-K SOD323
		ZD507	0DZ560009DA	UDZ S 5.6B TP ROHM-K SOD323

DATE: 2005. 06. 15.				
*S	*AL	LOC. NO.	PART NO.	DESCRIPTION / SPECIFICATION
		ZD101	0DZ560009DA	UDZ S 5.6B TP ROHM-K SOD323
		ZD102	0DZ560009DA	UDZ S 5.6B TP ROHM-K SOD323
		ZD103	0DZ560009DA	UDZ S 5.6B TP ROHM-K SOD323
		ZD104	0DZ560009DA	UDZ S 5.6B TP ROHM-K SOD323
		ZD105	0DZ560009DA	UDZ S 5.6B TP ROHM-K SOD323
		ZD106	0DZ560009DA	UDZ S 5.6B TP ROHM-K SOD323
		ZD107	0DZ560009DA	UDZ S 5.6B TP ROHM-K SOD323
		ZD108	0DZ560009DA	UDZ S 5.6B TP ROHM-K SOD323
		ZD503	0DZ560009DA	UDZ S 5.6B TP ROHM-K SOD323
		ZD504	0DZ560009DA	UDZ S 5.6B TP ROHM-K SOD323
		ZD505	0DZ560009DA	UDZ S 5.6B TP ROHM-K SOD323
		ZD601	0DZ560009DA	UDZ S 5.6B TP ROHM-K SOD323
		ZD701	0DZ560009DA	UDZ S 5.6B TP ROHM-K SOD323
		ZD704	0DZ560009DA	UDZ S 5.6B TP ROHM-K SOD323
		ZD705	0DZ560009DA	UDZ S 5.6B TP ROHM-K SOD323
		ZD706	0DZ560009DA	UDZ S 5.6B TP ROHM-K SOD323
		ZD707	0DZ560009DA	UDZ S 5.6B TP ROHM-K SOD323
		ZD708	0DZ560009DA	UDZ S 5.6B TP ROHM-K SOD323
		ZD709	0DZ560009DA	UDZ S 5.6B TP ROHM-K SOD323
		ZD710	0DZ560009DA	UDZ S 5.6B TP ROHM-K SOD323
		ZD711	0DZ560009DA	UDZ S 5.6B TP ROHM-K SOD323
		ZD712	0DZ560009DA	UDZ S 5.6B TP ROHM-K SOD323
		ZD713	0DZ560009DA	UDZ S 5.6B TP ROHM-K SOD323
		ZD714	0DZ560009DA	UDZ S 5.6B TP ROHM-K SOD323
		ZD715	0DZ560009DA	UDZ S 5.6B TP ROHM-K SOD323
		ZD716	0DZ560009DA	UDZ S 5.6B TP ROHM-K SOD323
		ZD719	0DZ560009DA	UDZ S 5.6B TP ROHM-K SOD323
		ZD720	0DZ560009DA	UDZ S 5.6B TP ROHM-K SOD323
		ZD721	0DZ560009DA	UDZ S 5.6B TP ROHM-K SOD323
		ZD722	0DZ560009DA	UDZ S 5.6B TP ROHM-K SOD323
		ZD723	0DZ560009DA	UDZ S 5.6B TP ROHM-K SOD323
		ZD724	0DZ560009DA	UDZ S 5.6B TP ROHM-K SOD323
		ZD725	0DZ560009DA	UDZ S 5.6B TP ROHM-K SOD323
		ZD726	0DZ560009DA	UDZ S 5.6B TP ROHM-K SOD323
		ZD727	0DZ560009DA	UDZ S 5.6B TP ROHM-K SOD323
		ZD728	0DZ560009DA	UDZ S 5.6B TP ROHM-K SOD323
		ZD729	0DZ560009DA	UDZ S 5.6B TP ROHM-K SOD323
		ZD602	0DZ330009DF	MTZJ33B TP ROHM-K DO34 0.5W
		ZD401	0DZ910009FE	UDZS 9.1B TP ROHM - - 9.1V -
		ZD402	0DZ910009FE	UDZS 9.1B TP ROHM - - 9.1V -
		ZD403	0DZ910009FE	UDZS 9.1B TP ROHM - - 9.1V -
IC				
		U802	OICTMLG018A	LGDP4410 LG IC 176P TQFP TRA
		Q404	OIKE704200J	KIA7042AF SOT-89 TP 4.2V VOL
		Q506	OIKE704200J	KIA7042AF SOT-89 TP 4.2V VOL
		U1003	OIKE702700D	"KIA7027AF 3, SOT-89 TP RESET"
		U403	OIMMRSG014C	M29W800DT70N SGS-THOMSON 48P
		U1006	OIMMR00066A	"M27W201-80K6E,LF SGS-THOMSON"
		U1002	OIMMRSS040C	"S524A60X51-SC70,LF SAMSUNG E"
		U1007	OIMMR00067A	K6X4008T1F-VB70 SAMSUNG ELEC
		U114	OISS524202B	"S524A40X21-SCT0, LF SAMSUNG"
		U115	OISS524202B	"S524A40X21-SCT0, LF SAMSUNG"
		U401	OIMMRHY051A	"HY5DU283222AQ-4 HYNIX 100P,L"
		U404	OIMMRAL034B	"24C32AN-10 SU-2.7,LF ATMEL 8"
		U902	OIMMRSS037E	K4S643232H-TC60 SAMSUNG ELEC
		U903	OIMMROK005A	"MSM56V16160F-7 OKI TSSOP,50P"
		U201	OISO204000A	"CXA2040AQ 32P,QFP BK IIC BUS"
		U1005	OIPRPSG032A	TEA5114A RGB SW SGS-THOMSON
		U1011	OIPRPM3002D	"MST9883C-LF-110 MSTAR 80P,LQ"
		U1012	OIPRPAJ001B	"EX128-FTQ100PJ95,PAL(ACTEL"

DATE: 2005. 06. 15.				
*S	*AL	LOC. NO.	PART NO.	DESCRIPTION / SPECIFICATION
		U303	0IPRPM3002D	"MST9883C-LF-110 MSTAR 80P,LQ"
		U402	0IPRPGN011D	GM1501H-CF(HDCP)BRAND GENESI
		U501	0IPRPMN002B	MSP3410G-C12-100 MICRONAS 80
		U502	0IPRPTI036A	TPA3004D2PHPR TEXAS INSTRUME
		U503	0IPRPJR017A	"NJU26901E2 JRC 8P,EMP R/TP D"
		U505	0IPRPTI015A	MAX232DR TEXAS INSTRUMENT 16
		U801	0ITH638300C	"THC63LVDM83R(F),LF THINE ELE"
		U901	0IPRPM7001B	"MDIN-150L,ROHS MIT 256PIN,QF"
		U904	0IPRPNE008A	"UPD64011BGM-8ED-A NEC 160,LQ"
		U1004	0IPMGFA003B	RC1117S-2.5 FAIRCHILD SOT-22
		U1010	0IPMGNS001E	"LM1117MPX-3.3,NOPB NATIONAL"
		U204	0IPMGKE036A	KIA78DL09F KEC DPARK R/TP 9V
		U504	0IPMGFA003B	RC1117S-2.5 FAIRCHILD SOT-22
		U609	0IPMGSG020A	"LD1117DT18TR,LF SGS-THOMSON"
		U612	0IPMGFA003B	RC1117S-2.5 FAIRCHILD SOT-22
		U614	0IPMGNS001E	"LM1117MPX-3.3,NOPB NATIONAL"
		U616	0IPMGNS001E	"LM1117MPX-3.3,NOPB NATIONAL"
		U621	0IPMGNS001E	"LM1117MPX-3.3,NOPB NATIONAL"
		U803	0IPMGFA003B	RC1117S-2.5 FAIRCHILD SOT-22
		U804	0IPMGNS001E	"LM1117MPX-3.3,NOPB NATIONAL"
		U905	0IPMGNS001E	"LM1117MPX-3.3,NOPB NATIONAL"
		U906	0IPMGRH001D	"BA15BC0FP-E2 ROHM 3P,TO252 R"
		U907	0IPMGNS001E	"LM1117MPX-3.3,NOPB NATIONAL"
		U908	0IPMGFA003B	RC1117S-2.5 FAIRCHILD SOT-22
		U203	0ISS780500H	"KA78M05-R 3P,D-PAK TP 5V 0.5"
		U522	0ISS780800J	"KA78M08R 3P,D-PAK TP VOL. RE"
		U1001	0ISM555000A	SDA5550 MQFP100 BK MICOM TXT
		U407	0ISTLFA058A	"74F14SCX FAIRCHILD 14P,SOIC"
		U506	0ISTLFA092B	74VHC157MX_NL FAIRCHILD 16PI
		U701	0ISTLTI049A	"CD4052BPWR,LF TEXAS INSTRUME"

COIL & CORE & INDUCTOR & FILTER

		L511	6140TBZ007E	"SLF12575T-330M3R2,TDK SMD CH"
		L512	6140TBZ007E	"SLF12575T-330M3R2,TDK SMD CH"
		L513	6140TBZ007E	"SLF12575T-330M3R2,TDK SMD CH"
		L514	6140TBZ007E	"SLF12575T-330M3R2,TDK SMD CH"
		L22	6210TCE001P	HB-1S2012-121JT CERATECH 201
		L23	6210TCE001P	HB-1S2012-121JT CERATECH 201
		L920	6210TCE001P	HB-1S2012-121JT CERATECH 201
		L611	6210TCE001H	HB-1T2012-301JT CERATEC 2012
		L613	6210TCE001H	HB-1T2012-301JT CERATEC 2012
		L701	6210TCE001P	HB-1S2012-121JT CERATECH 201
		L702	6210TCE001P	HB-1S2012-121JT CERATECH 201
		L704	6210TCE001P	HB-1S2012-121JT CERATECH 201
		L705	6210TCE001P	HB-1S2012-121JT CERATECH 201
		L706	6210TCE001P	HB-1S2012-121JT CERATECH 201
		L707	6210TCE001P	HB-1S2012-121JT CERATECH 201
		L712	6210TCE001H	HB-1T2012-301JT CERATEC 2012
		L713	6210TCE001H	HB-1T2012-301JT CERATEC 2012
		L1010	6210TCE001S	HU-1M2012-121 CERATECH 2012M
		L1011	6210TCE001S	HU-1M2012-121 CERATECH 2012M
		L201	6210TCE001G	HH-1M3216-501 CERATEC 3216MM
		L213	6210TCE001G	HH-1M3216-501 CERATEC 3216MM
		L215	6210TCE001S	HU-1M2012-121 CERATECH 2012M
		L216	6210TCE001S	HU-1M2012-121 CERATECH 2012M
		L219	6210TCE001G	HH-1M3216-501 CERATEC 3216MM
		L220	6210TCE001G	HH-1M3216-501 CERATEC 3216MM
		L221	6210TCE001G	HH-1M3216-501 CERATEC 3216MM
		L222	6210TCE001S	HU-1M2012-121 CERATECH 2012M
		L223	6210TCE001S	HU-1M2012-121 CERATECH 2012M
		L307	6210TCE001S	HU-1M2012-121 CERATECH 2012M

DATE: 2005. 06. 15.				
*S	*AL	LOC. NO.	PART NO.	DESCRIPTION / SPECIFICATION
		L308	6210TCE001S	HU-1M2012-121 CERATECH 2012M
		L309	6210TCE001S	HU-1M2012-121 CERATECH 2012M
		L606	6210TCE001G	HH-1M3216-501 CERATEC 3216MM
		L614	6210TCE001G	HH-1M3216-501 CERATEC 3216MM
		L615	6210TCE001G	HH-1M3216-501 CERATEC 3216MM
		L616	6210TCE001G	HH-1M3216-501 CERATEC 3216MM
		L617	6210TCE001G	HH-1M3216-501 CERATEC 3216MM
		L618	6210TCE001G	HH-1M3216-501 CERATEC 3216MM
		L620	6210TCE001G	HH-1M3216-501 CERATEC 3216MM
		L715	6210TCE001S	HU-1M2012-121 CERATECH 2012M
		L901	6210TCE001G	HH-1M3216-501 CERATEC 3216MM
		L902	6210TCE001G	HH-1M3216-501 CERATEC 3216MM
		L903	6210TCE001G	HH-1M3216-501 CERATEC 3216MM
		L904	6210TCE001G	HH-1M3216-501 CERATEC 3216MM
		L905	6210TCE001G	HH-1M3216-501 CERATEC 3216MM
		L906	6210TCE001S	HU-1M2012-121 CERATECH 2012M
		L907	6210TCE001S	HU-1M2012-121 CERATECH 2012M
		L913	6210TCE001S	HU-1M2012-121 CERATECH 2012M
		L914	6210TCE001G	HH-1M3216-501 CERATEC 3216MM
		L915	6210TCE001G	HH-1M3216-501 CERATEC 3216MM
		L916	6210TCE001G	HH-1M3216-501 CERATEC 3216MM
		L917	6210TCE001G	HH-1M3216-501 CERATEC 3216MM
		L918	6210TCE001G	HH-1M3216-501 CERATEC 3216MM
		L919	6210TCE001S	HU-1M2012-121 CERATECH 2012M
		R905	6210TCE001R	HB-1S2012-400JT CERATECH 201
		L1001	6210TCE001S	HU-1M2012-121 CERATECH 2012M
		L1007	6210TCE001S	HU-1M2012-121 CERATECH 2012M
		L1008	6210TCE001S	HU-1M2012-121 CERATECH 2012M
		L1009	6210TCE001S	HU-1M2012-121 CERATECH 2012M
		L101	6210TCE001A	HB-1S2012-080JT CERATEC 2012
		L1012	6210TCE001S	HU-1M2012-121 CERATECH 2012M
		L103	6210TCE001Y	HB-1H2012-320JT CERATEC 2012
		L104	6210TCE001Y	HB-1H2012-320JT CERATEC 2012
		L107	6210TCE001Y	HB-1H2012-320JT CERATEC 2012
		L202	6210TCE001S	HU-1M2012-121 CERATECH 2012M
		L203	6200J00011A	H354LAI-K5202 TOKO R/TP BAND
		L217	6200J00011A	H354LAI-K5202 TOKO R/TP BAND
		L218	6200J00011A	H354LAI-K5202 TOKO R/TP BAND
		L401	6210TCE001Y	HB-1H2012-320JT CERATEC 2012
		L402	6210TCE001Y	HB-1H2012-320JT CERATEC 2012
		L403	6210TCE001Y	HB-1H2012-320JT CERATEC 2012
		L404	6210TCE001Y	HB-1H2012-320JT CERATEC 2012
		L405	6210TCE001Y	HB-1H2012-320JT CERATEC 2012
		L406	6210TCE001Y	HB-1H2012-320JT CERATEC 2012
		L407	6210TCE001Y	HB-1H2012-320JT CERATEC 2012
		L408	6210TCE001Y	HB-1H2012-320JT CERATEC 2012
		L501	6210TCE001G	HH-1M3216-501 CERATEC 3216MM
		L502	6210TCE001G	HH-1M3216-501 CERATEC 3216MM
		L503	6210TCE001G	HH-1M3216-501 CERATEC 3216MM
		L504	6210TCE001G	HH-1M3216-501 CERATEC 3216MM
		L505	6210TCE001G	HH-1M3216-501 CERATEC 3216MM
		L506	6210TCE001S	HU-1M2012-121 CERATECH 2012M
		L507	6210TCE001S	HU-1M2012-121 CERATECH 2012M
		L508	6210TCE001S	HU-1M2012-121 CERATECH 2012M
		L509	6210TCE001S	HU-1M2012-121 CERATECH 2012M
		L510	6210TCE001G	HH-1M3216-501 CERATEC 3216MM
		L601	6210TCE001G	HH-1M3216-501 CERATEC 3216MM
		L602	6210TCE001G	HH-1M3216-501 CERATEC 3216MM
		L603	6210TCE001G	HH-1M3216-501 CERATEC 3216MM
		L604	6210TCE001G	HH-1M3216-501 CERATEC 3216MM
		L605	6210TCE001G	HH-1M3216-501 CERATEC 3216MM
		L609	6210TCE001G	HH-1M3216-501 CERATEC 3216MM

DATE: 2005. 06. 15.			
*S	*AL	LOC. NO.	PART NO. DESCRIPTION / SPECIFICATION
		L610	6210TCE001G HH-1M3216-501 CERATEC 3216MM
		L619	6210TCE001G HH-1M3216-501 CERATEC 3216MM
		L621	6210TCE001G HH-1M3216-501 CERATEC 3216MM
		L622	6210TCE001G HH-1M3216-501 CERATEC 3216MM
		L623	6210TCE001G HH-1M3216-501 CERATEC 3216MM
		L801	6210TCE001G HH-1M3216-501 CERATEC 3216MM
		L802	6210TCE001G HH-1M3216-501 CERATEC 3216MM
		L909	6200J00011A H354LAI-K5202 TOKO R/TP BAND
		L1005	0LC2000005E "FI-C2012-822KJT,8.2UH CERATE"
		L703	0LC2000005D "F1-B2012-332KJT,3.3 UH CERAT"
		L910	0LC1532101A 15UH 10% 3216 R/TC FI-C3216-
		L912	0LCTA00006E "LEM2520T390J, 39UH TAIYOYUDE"
TRANSISTOR			
		Q401	0TR162309CA KSC1623 TP SAMSUNG SOT23 NP
		Q402	0TR162309CA KSC1623 TP SAMSUNG SOT23 NP
		Q403	0TR162309CA KSC1623 TP SAMSUNG SOT23 NP
		Q405	0TR162309CA KSC1623 TP SAMSUNG SOT23 NP
		Q406	0TR162309CA KSC1623 TP SAMSUNG SOT23 NP
		Q407	0TR162309CA KSC1623 TP SAMSUNG SOT23 NP
		Q501	0TR162309CA KSC1623 TP SAMSUNG SOT23 NP
		Q502	0TR162309CA KSC1623 TP SAMSUNG SOT23 NP
		Q503	0TR162309CA KSC1623 TP SAMSUNG SOT23 NP
		Q504	0TR162309CA KSC1623 TP SAMSUNG SOT23 NP
		Q505	0TR162309CA KSC1623 TP SAMSUNG SOT23 NP
		Q510	0TR390609FA KST3906-MTF TP SAMSUNG SOT2
		Q601	0TR162309CA KSC1623 TP SAMSUNG SOT23 NP
		Q602	0TR162309CA KSC1623 TP SAMSUNG SOT23 NP
		Q205	0TR387500AA CHIP 2SC3875S(ALY) BK KEC -
		Q206	0TR387500AA CHIP 2SC3875S(ALY) BK KEC -
		Q701	0TR390409AE FAIRCHILD KST3904(LGEMTF) TP
		Q702	0TR390409AE FAIRCHILD KST3904(LGEMTF) TP
		Q703	0TR390409AE FAIRCHILD KST3904(LGEMTF) TP
		Q704	0TR390409AE FAIRCHILD KST3904(LGEMTF) TP
		Q1001	0TR390409AE FAIRCHILD KST3904(LGEMTF) TP
		Q1002	0TR390409AE FAIRCHILD KST3904(LGEMTF) TP
		Q1003	0TR390409AE FAIRCHILD KST3904(LGEMTF) TP
		Q1004	0TR387500AA CHIP 2SC3875S(ALY) BK KEC -
		Q1005	0TR387500AA CHIP 2SC3875S(ALY) BK KEC -
		Q1006	0TR387500AA CHIP 2SC3875S(ALY) BK KEC -
		Q1007	0TR387500AA CHIP 2SC3875S(ALY) BK KEC -
		Q201	0TR387500AA CHIP 2SC3875S(ALY) BK KEC -
		Q202	0TR150400BA CHIP 2SA1504S(ASY) BK KEC -
		Q203	0TR390409AE FAIRCHILD KST3904(LGEMTF) TP
		Q204	0TR390409AE FAIRCHILD KST3904(LGEMTF) TP
		Q209	0TR387500AA CHIP 2SC3875S(ALY) BK KEC -
		Q210	0TR150400BA CHIP 2SA1504S(ASY) BK KEC -
		Q211	0TR387500AA CHIP 2SC3875S(ALY) BK KEC -
		Q212	0TR150400BA CHIP 2SA1504S(ASY) BK KEC -
		Q901	0TR387500AA CHIP 2SC3875S(ALY) BK KEC -
		Q902	0TR150400BA CHIP 2SA1504S(ASY) BK KEC -
		Q903	0TR150400BA CHIP 2SA1504S(ASY) BK KEC -
		Q904	0TR150400BA CHIP 2SA1504S(ASY) BK KEC -
		U601	0TFVI80023A VISHAY SI3865DV R/TP TSOP-6
		U602	0TFVI80023A VISHAY SI3865DV R/TP TSOP-6
		U603	0TFIR80009B IRF7316 INTERNATIONAL RECTIF
		U607	0TFFC80009A FAIRCHILD FDC6326L R/TP SOT-
RESISTORS			
		RA1001	0RHZTCZ001A RCA SMART 100OHM 1/16 W 5% 3

DATE: 2005. 06. 15.			
*S	*AL	LOC. NO.	PART NO. DESCRIPTION / SPECIFICATION
		RA1002	0RHZTCZ001A RCA SMART 100OHM 1/16 W 5% 3
		RA1003	0RHZTCZ001A RCA SMART 100OHM 1/16 W 5% 3
		RA1004	0RHZTCZ001A RCA SMART 100OHM 1/16 W 5% 3
		RA1005	0RHZTCZ001A RCA SMART 100OHM 1/16 W 5% 3
		RA1006	0RHZTCZ001A RCA SMART 100OHM 1/16 W 5% 3
		RA1007	0RHZTCZ001A RCA SMART 100OHM 1/16 W 5% 3
		RA1008	0RHZTCZ001A RCA SMART 100OHM 1/16 W 5% 3
		RA1009	0RHZTCZ001A RCA SMART 100OHM 1/16 W 5% 3
		RA1010	0RHZTCZ001A RCA SMART 100OHM 1/16 W 5% 3
		RA301	0RHZTCZ001D RCA SMART 22OHM 1/16 W 5% 32
		RA305	0RHZTCZ001D RCA SMART 22OHM 1/16 W 5% 32
		RA307	0RHZTCZ001D RCA SMART 22OHM 1/16 W 5% 32
		RA308	0RHZTCZ001D RCA SMART 22OHM 1/16 W 5% 32
		RA309	0RHZTCZ001D RCA SMART 22OHM 1/16 W 5% 32
		RA325	0RHZTCZ001D RCA SMART 22OHM 1/16 W 5% 32
		RA401	0RHZTCZ001D RCA SMART 22OHM 1/16 W 5% 32
		RA402	0RHZTCZ001D RCA SMART 22OHM 1/16 W 5% 32
		RA403	0RHZTCZ001D RCA SMART 22OHM 1/16 W 5% 32
		RA404	0RHZTCZ001D RCA SMART 22OHM 1/16 W 5% 32
		RA405	0RHZTCZ001D RCA SMART 22OHM 1/16 W 5% 32
		RA406	0RHZTCZ001D RCA SMART 22OHM 1/16 W 5% 32
		RA407	0RHZTCZ001D RCA SMART 22OHM 1/16 W 5% 32
		RA408	0RHZTCZ001D RCA SMART 22OHM 1/16 W 5% 32
		RA409	0RHZTCZ001D RCA SMART 22OHM 1/16 W 5% 32
		RA410	0RHZTCZ001D RCA SMART 22OHM 1/16 W 5% 32
		RA411	0RHZTCZ001D RCA SMART 22OHM 1/16 W 5% 32
		RA801	0RHZTCZ001D RCA SMART 22OHM 1/16 W 5% 32
		RA802	0RHZTCZ001D RCA SMART 22OHM 1/16 W 5% 32
		RA803	0RHZTCZ001D RCA SMART 22OHM 1/16 W 5% 32
		RA804	0RHZTCZ001D RCA SMART 22OHM 1/16 W 5% 32
		RA805	0RHZTCZ001D RCA SMART 22OHM 1/16 W 5% 32
		RA806	0RHZTCZ001D RCA SMART 22OHM 1/16 W 5% 32
		RA807	0RHZTCZ001D RCA SMART 22OHM 1/16 W 5% 32
		RA808	0RHZTCZ001D RCA SMART 22OHM 1/16 W 5% 32
		RA809	0RHZTCZ001D RCA SMART 22OHM 1/16 W 5% 32
		RA810	0RHZTCZ001D RCA SMART 22OHM 1/16 W 5% 32
		RA811	0RHZTCZ001D RCA SMART 22OHM 1/16 W 5% 32
		RA812	0RHZTCZ001D RCA SMART 22OHM 1/16 W 5% 32
		RA901	0RHZTCZ001D RCA SMART 22OHM 1/16 W 5% 32
		RA902	0RHZTCZ001D RCA SMART 22OHM 1/16 W 5% 32
		RA903	0RHZTCZ001D RCA SMART 22OHM 1/16 W 5% 32
		RA904	0RHZTCZ001D RCA SMART 22OHM 1/16 W 5% 32
		RA905	0RHZTCZ001D RCA SMART 22OHM 1/16 W 5% 32
		RA906	0RHZTCZ001D RCA SMART 22OHM 1/16 W 5% 32
		RA907	0RHZTCZ001D RCA SMART 22OHM 1/16 W 5% 32
		RA908	0RHZTCZ001D RCA SMART 22OHM 1/16 W 5% 32
		RA909	0RHZTCZ001D RCA SMART 22OHM 1/16 W 5% 32
		RA910	0RHZTCZ001D RCA SMART 22OHM 1/16 W 5% 32
		RA911	0RHZTCZ001D RCA SMART 22OHM 1/16 W 5% 32
		RA912	0RHZTCZ001D RCA SMART 22OHM 1/16 W 5% 32
		RA913	0RHZTCZ001D RCA SMART 22OHM 1/16 W 5% 32
		RA914	0RHZTCZ001D RCA SMART 22OHM 1/16 W 5% 32
		RA915	0RHZTCZ001D RCA SMART 22OHM 1/16 W 5% 32
		RA916	0RHZTCZ001A RCA SMART 100OHM 1/16 W 5% 3
		RA917	0RHZTCZ001A RCA SMART 100OHM 1/16 W 5% 3
		RA918	0RHZTCZ001A RCA SMART 100OHM 1/16 W 5% 3
		RA919	0RHZTCZ001A RCA SMART 100OHM 1/16 W 5% 3
		RA920	0RHZTCZ001A RCA SMART 100OHM 1/16 W 5% 3
		RA921	0RHZTCZ001A RCA SMART 100OHM 1/16 W 5% 3
		RA922	0RHZTCZ001A RCA SMART 100OHM 1/16 W 5% 3
		RA923	0RHZTCZ001A RCA SMART 100OHM 1/16 W 5% 3
		RA924	0RHZTCZ001A RCA SMART 100OHM 1/16 W 5% 3

DATE: 2005. 06. 15.				
*S	*AL	LOC. NO.	PART NO.	DESCRIPTION / SPECIFICATION
		RA925	0RHZTCZ001A	RCA SMART 100OHM 1/16 W 5% 3
		RA926	0RHZTCZ001A	RCA SMART 100OHM 1/16 W 5% 3
		RA927	0RHZTCZ001A	RCA SMART 100OHM 1/16 W 5% 3
		RA928	0RHZTCZ001A	RCA SMART 100OHM 1/16 W 5% 3
		RA929	0RHZTCZ001A	RCA SMART 100OHM 1/16 W 5% 3
		R1001	0RH0000D622	0 OHM 1 / 10 W 2012 5.00% D
		R1035	0RH0000D622	0 OHM 1 / 10 W 2012 5.00% D
		R1041	0RH0000D622	0 OHM 1 / 10 W 2012 5.00% D
		R1051	0RH0000D622	0 OHM 1 / 10 W 2012 5.00% D
		R1059	0RH0752D622	75 OHM 1 / 10 W 2012 5.00% D
		R1060	0RH0752D622	75 OHM 1 / 10 W 2012 5.00% D
		R1061	0RH0752D622	75 OHM 1 / 10 W 2012 5.00% D
		R1063	0RH0000D622	0 OHM 1 / 10 W 2012 5.00% D
		R1064	0RH0000D622	0 OHM 1 / 10 W 2012 5.00% D
		R1070	0RH0000D622	0 OHM 1 / 10 W 2012 5.00% D
		R1072	0RH0000D622	0 OHM 1 / 10 W 2012 5.00% D
		R1124	0RH4701D622	4.7K OHM 1 / 10 W 2012 5.00%
		R1127	0RH3301D622	3.3K OHM 1 / 10 W 2012 5.00%
		R1133	0RH1000D622	100 OHM 1 / 10 W 2012 5.00%
		R158	0RH0000D622	0 OHM 1 / 10 W 2012 5.00% D
		R160	0RH0000D622	0 OHM 1 / 10 W 2012 5.00% D
		R211	0RH0102D622	10 OHM 1 / 10 W 2012 5.00% D
		R212	0RH1000D622	100 OHM 1 / 10 W 2012 5.00%
		R213	0RH2000D622	200 OHM 1 / 10 W 5% D R/TP
		R214	0RH1001D622	1K OHM 1 / 10 W 2012 5.00% D
		R243	0RH2000D622	200 OHM 1 / 10 W 5% D R/TP
		R253	0RH0102D622	10 OHM 1 / 10 W 2012 5.00% D
		R255	0RH1000D622	100 OHM 1 / 10 W 2012 5.00%
		R256	0RH0000D622	0 OHM 1 / 10 W 2012 5.00% D
		R257	0RH1001D622	1K OHM 1 / 10 W 2012 5.00% D
		R259	0RH1000D622	100 OHM 1 / 10 W 2012 5.00%
		R260	0RH1000D622	100 OHM 1 / 10 W 2012 5.00%
		R261	0RH1000D622	100 OHM 1 / 10 W 2012 5.00%
		R409	0RH0000D622	0 OHM 1 / 10 W 2012 5.00% D
		R419	0RH0000D622	0 OHM 1 / 10 W 2012 5.00% D
		R426	0RH2701D622	2.7K OHM 1 / 10 W 2012 5.00%
		R430	0RH1002D622	10K OHM 1 / 10 W 2012 5.00%
		R431	0RH3301D622	3.3K OHM 1 / 10 W 2012 5.00%
		R440	0RH3301D622	3.3K OHM 1 / 10 W 2012 5.00%
		R444	0RH0000D622	0 OHM 1 / 10 W 2012 5.00% D
		R454	0RH0000D622	0 OHM 1 / 10 W 2012 5.00% D
		R455	0RH0000D622	0 OHM 1 / 10 W 2012 5.00% D
		R456	0RH2201D622	2.2K OHM 1 / 10 W 2012 5.00%
		R459	0RH2201D622	2.2K OHM 1 / 10 W 2012 5.00%
		R466	0RH2201D622	2.2K OHM 1 / 10 W 2012 5.00%
		R469	0RH0000D622	0 OHM 1 / 10 W 2012 5.00% D
		R470	0RH0000D622	0 OHM 1 / 10 W 2012 5.00% D
		R478	0RH0000D622	0 OHM 1 / 10 W 2012 5.00% D
		R489	0RH0000D622	0 OHM 1 / 10 W 2012 5.00% D
		R520	0RH1000D622	100 OHM 1 / 10 W 2012 5.00%
		R540	0RH0000D622	0 OHM 1 / 10 W 2012 5.00% D
		R542	0RH0000D622	0 OHM 1 / 10 W 2012 5.00% D
		R543	0RH0000D622	0 OHM 1 / 10 W 2012 5.00% D
		R546	0RH0000D622	0 OHM 1 / 10 W 2012 5.00% D
		R903	0RH0000D622	0 OHM 1 / 10 W 2012 5.00% D
		R913	0RH1000D622	100 OHM 1 / 10 W 2012 5.00%
		R914	0RH1000D622	100 OHM 1 / 10 W 2012 5.00%
		R928	0RH0000D622	0 OHM 1 / 10 W 2012 5.00% D
		R931	0RH0000D622	0 OHM 1 / 10 W 2012 5.00% D
		R932	0RH0000D622	0 OHM 1 / 10 W 2012 5.00% D
		R938	0RH0000D622	0 OHM 1 / 10 W 2012 5.00% D
		R961	0RH3300D622	330 OHM 1 / 10 W 2012 5.00%

DATE: 2005. 06. 15.				
*S	*AL	LOC. NO.	PART NO.	DESCRIPTION / SPECIFICATION
		L708	0RH0000D622	0 OHM 1 / 10 W 2012 5.00% D
		L709	0RH0000D622	0 OHM 1 / 10 W 2012 5.00% D
		R1003	0RJ4701D677	4.7K OHM 1/10 W 5% 1608 R/TP
		R1005	0RJ4701D677	4.7K OHM 1/10 W 5% 1608 R/TP
		R1014	0RJ1002D677	10K OHM 1/10 W 5% 1608 R/TP
		R1019	0RJ1000D677	100 OHM 1/10 W 5% 1608 R/TP
		R102	0RJ0752D677	75 OHM 1/10 W 5% 1608 R/TP
		R1020	0RJ1000D677	100 OHM 1/10 W 5% 1608 R/TP
		R1028	0RJ1000D677	100 OHM 1/10 W 5% 1608 R/TP
		R1029	0RJ0000D677	0 OHM 1/10 W 5% 1608 R/TP
		R103	0RJ0752D677	75 OHM 1/10 W 5% 1608 R/TP
		R104	0RJ0752D677	75 OHM 1/10 W 5% 1608 R/TP
		R1043	0RJ0222D677	22 OHM 1/10 W 5% 1608 R/TP
		R1044	0RJ0222D677	22 OHM 1/10 W 5% 1608 R/TP
		R1045	0RJ1001D677	1K OHM 1/10 W 5% 1608 R/TP
		R1046	0RJ1001D677	1K OHM 1/10 W 5% 1608 R/TP
		R1048	0RJ0000D677	0 OHM 1/10 W 5% 1608 R/TP
		R105	0RJ0222D677	22 OHM 1/10 W 5% 1608 R/TP
		R1050	0RJ0000D677	0 OHM 1/10 W 5% 1608 R/TP
		R1052	0RJ0000D677	0 OHM 1/10 W 5% 1608 R/TP
		R1053	0RJ0000D677	0 OHM 1/10 W 5% 1608 R/TP
		R1054	0RJ0000D677	0 OHM 1/10 W 5% 1608 R/TP
		R1055	0RJ0000D677	0 OHM 1/10 W 5% 1608 R/TP
		R1056	0RJ1001D677	1K OHM 1/10 W 5% 1608 R/TP
		R1057	0RJ0000D677	0 OHM 1/10 W 5% 1608 R/TP
		R1058	0RJ0000D677	0 OHM 1/10 W 5% 1608 R/TP
		R106	0RJ0222D677	22 OHM 1/10 W 5% 1608 R/TP
		R1065	0RJ1001D677	1K OHM 1/10 W 5% 1608 R/TP
		R1066	0RJ1001D677	1K OHM 1/10 W 5% 1608 R/TP
		R1067	0RJ1001D677	1K OHM 1/10 W 5% 1608 R/TP
		R1073	0RJ4701D677	4.7K OHM 1/10 W 5% 1608 R/TP
		R1074	0RJ4701D677	4.7K OHM 1/10 W 5% 1608 R/TP
		R1075	0RJ1002D677	10K OHM 1/10 W 5% 1608 R/TP
		R1077	0RJ1002D677	10K OHM 1/10 W 5% 1608 R/TP
		R1078	0RJ2201D677	2200 OHM 1/10 W 5% 1608 R/TP
		R1079	0RJ1000D677	100 OHM 1/10 W 5% 1608 R/TP
		R108	0RJ4701D677	4.7K OHM 1/10 W 5% 1608 R/TP
		R1080	0RJ1000D677	100 OHM 1/10 W 5% 1608 R/TP
		R1082	0RJ4700D677	470 OHM 1/10 W 5% 1608 R/TP
		R1083	0RJ0752D677	75 OHM 1/10 W 5% 1608 R/TP
		R1084	0RJ0752D677	75 OHM 1/10 W 5% 1608 R/TP
		R1085	0RJ0752D677	75 OHM 1/10 W 5% 1608 R/TP
		R1086	0RJ3300D677	330 OHM 1/10 W 5% 1608 R/TP
		R1087	0RJ3300D677	330 OHM 1/10 W 5% 1608 R/TP
		R1088	0RJ3300D677	330 OHM 1/10 W 5% 1608 R/TP
		R1089	0RJ3300D677	330 OHM 1/10 W 5% 1608 R/TP
		R109	0RJ0000D677	0 OHM 1/10 W 5% 1608 R/TP
		R1090	0RJ4701D677	4.7K OHM 1/10 W 5% 1608 R/TP
		R1091	0RJ3001D677	3K OHM 1/10 W 5% 1608 R/TP
		R110	0RJ0222D677	22 OHM 1/10 W 5% 1608 R/TP
		R111	0RJ0562D677	56 OHM 1/10 W 5% 1608 R/TP
		R112	0RJ0562D677	56 OHM 1/10 W 5% 1608 R/TP
		R1120	0RJ4701D677	4.7K OHM 1/10 W 5% 1608 R/TP
		R1121	0RJ0222D677	22 OHM 1/10 W 5% 1608 R/TP
		R1122	0RJ0000D677	0 OHM 1/10 W 5% 1608 R/TP
		R1123	0RJ4701D677	4.7K OHM 1/10 W 5% 1608 R/TP
		R1125	0RJ1001D677	1K OHM 1/10 W 5% 1608 R/TP
		R1126	0RJ1000D677	100 OHM 1/10 W 5% 1608 R/TP
		R1128	0RJ4700D677	470 OHM 1/10 W 5% 1608 R/TP
		R1129	0RJ2702D677	27K OHM 1/10 W 5% 1608 R/TP
		R113	0RJ0000D677	0 OHM 1/10 W 5% 1608 R/TP
		R1130	0RJ3300D677	330 OHM 1/10 W 5% 1608 R/TP

DATE: 2005. 06. 15.				
*S	*AL	LOC. NO.	PART NO.	DESCRIPTION / SPECIFICATION
		R1131	0RJ1002D677	10K OHM 1/10 W 5% 1608 R/TP
		R1132	0RJ0000D677	0 OHM 1/10 W 5% 1608 R/TP
		R114	0RJ1002D677	10K OHM 1/10 W 5% 1608 R/TP
		R1140	0RJ0000D677	0 OHM 1/10 W 5% 1608 R/TP
		R1141	0RJ0000D677	0 OHM 1/10 W 5% 1608 R/TP
		R1142	0RJ0000D677	0 OHM 1/10 W 5% 1608 R/TP
		R1143	0RJ1200D677	120 OHM 1/10 W 5% 1608 R/TP
		R1144	0RJ4700D677	470 OHM 1/10 W 5% 1608 R/TP
		R115	0RJ0562D677	56 OHM 1/10 W 5% 1608 R/TP
		R116	0RJ0000D677	0 OHM 1/10 W 5% 1608 R/TP
		R118	0RJ1002D677	10K OHM 1/10 W 5% 1608 R/TP
		R119	0RJ0472D677	47 OHM 1/10 W 5% 1608 R/TP
		R120	0RJ0222D677	22 OHM 1/10 W 5% 1608 R/TP
		R122	0RJ0222D677	22 OHM 1/10 W 5% 1608 R/TP
		R124	0RJ0222D677	22 OHM 1/10 W 5% 1608 R/TP
		R126	0RJ0222D677	22 OHM 1/10 W 5% 1608 R/TP
		R128	0RJ0222D677	22 OHM 1/10 W 5% 1608 R/TP
		R130	0RJ0222D677	22 OHM 1/10 W 5% 1608 R/TP
		R132	0RJ0222D677	22 OHM 1/10 W 5% 1608 R/TP
		R134	0RJ0222D677	22 OHM 1/10 W 5% 1608 R/TP
		R136	0RJ4701D677	4.7K OHM 1/10 W 5% 1608 R/TP
		R137	0RJ4701D677	4.7K OHM 1/10 W 5% 1608 R/TP
		R138	0RJ4701D677	4.7K OHM 1/10 W 5% 1608 R/TP
		R139	0RJ4701D677	4.7K OHM 1/10 W 5% 1608 R/TP
		R140	0RJ4701D677	4.7K OHM 1/10 W 5% 1608 R/TP
		R141	0RJ4701D677	4.7K OHM 1/10 W 5% 1608 R/TP
		R142	0RJ4701D677	4.7K OHM 1/10 W 5% 1608 R/TP
		R143	0RJ4701D677	4.7K OHM 1/10 W 5% 1608 R/TP
		R144	0RJ0000D677	0 OHM 1/10 W 5% 1608 R/TP
		R145	0RJ0000D677	0 OHM 1/10 W 5% 1608 R/TP
		R146	0RJ1002D677	10K OHM 1/10 W 5% 1608 R/TP
		R147	0RJ1002D677	10K OHM 1/10 W 5% 1608 R/TP
		R148	0RJ1002D677	10K OHM 1/10 W 5% 1608 R/TP
		R149	0RJ1002D677	10K OHM 1/10 W 5% 1608 R/TP
		R150	0RJ4701D677	4.7K OHM 1/10 W 5% 1608 R/TP
		R151	0RJ1002D677	10K OHM 1/10 W 5% 1608 R/TP
		R152	0RJ8200D677	820 OHM 1/10 W 5% 1608 R/TP
		R153	0RJ0332D677	33 OHM 1/10 W 5% 1608 R/TP
		R154	0RJ0332D677	33 OHM 1/10 W 5% 1608 R/TP
		R155	0RJ0332D677	33 OHM 1/10 W 5% 1608 R/TP
		R156	0RJ0332D677	33 OHM 1/10 W 5% 1608 R/TP
		R201	0RJ1002D677	10K OHM 1/10 W 5% 1608 R/TP
		R202	0RJ1000D677	100 OHM 1/10 W 5% 1608 R/TP
		R203	0RJ1502D677	15K OHM 1/10 W 5% 1608 R/TP
		R204	0RJ2000D677	200 OHM 1/10 W 5% 1608 R/TP
		R205	0RJ3000D677	300 OHM 1/10 W 5% 1608 R/TP
		R206	0RJ2200D677	220 OHM 1/10 W 5% 1608 R/TP
		R207	0RJ4700D677	470 OHM 1/10 W 5% 1608 R/TP
		R208	0RJ1001D677	1K OHM 1/10 W 5% 1608 R/TP
		R210	0RJ5601D477	5.6K OHM 1/10 W 1% 1608 R/TP
		R217	0RJ3000D677	300 OHM 1/10 W 5% 1608 R/TP
		R218	0RJ2200D677	220 OHM 1/10 W 5% 1608 R/TP
		R220	0RJ2200D677	220 OHM 1/10 W 5% 1608 R/TP
		R221	0RJ2200D677	220 OHM 1/10 W 5% 1608 R/TP
		R223	0RJ2200D677	220 OHM 1/10 W 5% 1608 R/TP
		R227	0RJ6802D677	68K OHM 1/10 W 5% 1608 R/TP
		R228	0RJ1000D677	100 OHM 1/10 W 5% 1608 R/TP
		R229	0RJ1000D677	100 OHM 1/10 W 5% 1608 R/TP
		R239	0RJ2000D677	200 OHM 1/10 W 5% 1608 R/TP
		R270	0RJ2000D677	200 OHM 1/10 W 5% 1608 R/TP
		R271	0RJ3000D677	300 OHM 1/10 W 5% 1608 R/TP
		R272	0RJ1002D677	10K OHM 1/10 W 5% 1608 R/TP

DATE: 2005. 06. 15.				
*S	*AL	LOC. NO.	PART NO.	DESCRIPTION / SPECIFICATION
		R273	0RJ1000D677	100 OHM 1/10 W 5% 1608 R/TP
		R274	0RJ1002D677	10K OHM 1/10 W 5% 1608 R/TP
		R275	0RJ1000D677	100 OHM 1/10 W 5% 1608 R/TP
		R276	0RJ4700D677	470 OHM 1/10 W 5% 1608 R/TP
		R277	0RJ4700D677	470 OHM 1/10 W 5% 1608 R/TP
		R278	0RJ1001D677	1K OHM 1/10 W 5% 1608 R/TP
		R279	0RJ5601D477	5.6K OHM 1/10 W 1% 1608 R/TP
		R280	0RJ1002D677	10K OHM 1/10 W 5% 1608 R/TP
		R281	0RJ1000D677	100 OHM 1/10 W 5% 1608 R/TP
		R282	0RJ1002D677	10K OHM 1/10 W 5% 1608 R/TP
		R283	0RJ1000D677	100 OHM 1/10 W 5% 1608 R/TP
		R284	0RJ4700D677	470 OHM 1/10 W 5% 1608 R/TP
		R285	0RJ4700D677	470 OHM 1/10 W 5% 1608 R/TP
		R286	0RJ1001D677	1K OHM 1/10 W 5% 1608 R/TP
		R287	0RJ5601D477	5.6K OHM 1/10 W 1% 1608 R/TP
		R317	0RJ1500D677	150 OHM 1/10 W 5% 1608 R/TP
		R318	0RJ0752D677	75 OHM 1/10 W 5% 1608 R/TP
		R319	0RJ1500D677	150 OHM 1/10 W 5% 1608 R/TP
		R320	0RJ0752D677	75 OHM 1/10 W 5% 1608 R/TP
		R322	0RJ0752D677	75 OHM 1/10 W 5% 1608 R/TP
		R323	0RJ1500D677	150 OHM 1/10 W 5% 1608 R/TP
		R325	0RJ0222D677	22 OHM 1/10 W 5% 1608 R/TP
		R326	0RJ0222D677	22 OHM 1/10 W 5% 1608 R/TP
		R327	0RJ1001D677	1K OHM 1/10 W 5% 1608 R/TP
		R328	0RJ1001D677	1K OHM 1/10 W 5% 1608 R/TP
		R332	0RJ1001D677	1K OHM 1/10 W 5% 1608 R/TP
		R333	0RJ1001D677	1K OHM 1/10 W 5% 1608 R/TP
		R334	0RJ1001D677	1K OHM 1/10 W 5% 1608 R/TP
		R344	0RJ0000D677	0 OHM 1/10 W 5% 1608 R/TP
		R346	0RJ0000D677	0 OHM 1/10 W 5% 1608 R/TP
		R347	0RH0000D622	0 OHM 1 / 10 W 2012 5.00% D
		R400	0RJ1000D677	100 OHM 1/10 W 5% 1608 R/TP
		R401	0RJ1002D477	10K OHM 1/10 W 1% 1608 R/TP
		R402	0RJ1002D477	10K OHM 1/10 W 1% 1608 R/TP
		R403	0RJ1500D677	150 OHM 1/10 W 5% 1608 R/TP
		R408	0RJ2202D677	22K OHM 1/10 W 5% 1608 R/TP
		R410	0RJ2700D477	270 OHM 1/10 W 1% 1608 R/TP
		R411	0RJ0222D677	22 OHM 1/10 W 5% 1608 R/TP
		R412	0RJ0222D677	22 OHM 1/10 W 5% 1608 R/TP
		R413	0RJ0222D677	22 OHM 1/10 W 5% 1608 R/TP
		R414	0RJ0000D677	0 OHM 1/10 W 5% 1608 R/TP
		R415	0RJ0000D677	0 OHM 1/10 W 5% 1608 R/TP
		R416	0RJ1000D677	100 OHM 1/10 W 5% 1608 R/TP
		R417	0RJ1000D677	100 OHM 1/10 W 5% 1608 R/TP
		R418	0RJ0000D677	0 OHM 1/10 W 5% 1608 R/TP
		R420	0RJ0000D677	0 OHM 1/10 W 5% 1608 R/TP
		R422	0RJ0000D677	0 OHM 1/10 W 5% 1608 R/TP
		R423	0RJ1002D677	10K OHM 1/10 W 5% 1608 R/TP
		R424	0RJ1002D677	10K OHM 1/10 W 5% 1608 R/TP
		R425	0RJ1002D677	10K OHM 1/10 W 5% 1608 R/TP
		R427	0RJ0000D677	0 OHM 1/10 W 5% 1608 R/TP
		R428	0RJ0000D677	0 OHM 1/10 W 5% 1608 R/TP
		R432	0RJ1002D677	10K OHM 1/10 W 5% 1608 R/TP
		R433	0RJ1001D677	1K OHM 1/10 W 5% 1608 R/TP
		R434	0RJ0000D677	0 OHM 1/10 W 5% 1608 R/TP
		R435	0RJ0000D677	0 OHM 1/10 W 5% 1608 R/TP
		R436	0RJ0000D677	0 OHM 1/10 W 5% 1608 R/TP
		R437	0RJ0000D677	0 OHM 1/10 W 5% 1608 R/TP
		R438	0RJ0000D677	0 OHM 1/10 W 5% 1608 R/TP
		R441	0RJ1002D677	10K OHM 1/10 W 5% 1608 R/TP
		R442	0RJ1001D677	1K OHM 1/10 W 5% 1608 R/TP
		R443	0RJ4700D677	470 OHM 1/10 W 5% 1608 R/TP

DATE: 2005. 06. 15.				
*S	*AL	LOC. NO.	PART NO.	DESCRIPTION / SPECIFICATION
		R446	0RJ2202D677	22K OHM 1/10 W 5% 1608 R/TP
		R447	0RJ1002D677	10K OHM 1/10 W 5% 1608 R/TP
		R448	0RJ1002D677	10K OHM 1/10 W 5% 1608 R/TP
		R450	0RJ4700D677	470 OHM 1/10 W 5% 1608 R/TP
		R451	0RJ0000D677	0 OHM 1/10 W 5% 1608 R/TP
		R452	0RJ0000D677	0 OHM 1/10 W 5% 1608 R/TP
		R453	0RJ4700D677	470 OHM 1/10 W 5% 1608 R/TP
		R457	0RJ3302D677	33K OHM 1/10 W 5% 1608 R/TP
		R460	0RJ2201D677	2200 OHM 1/10 W 5% 1608 R/TP
		R461	0RJ2201D677	2200 OHM 1/10 W 5% 1608 R/TP
		R462	0RJ0000D677	0 OHM 1/10 W 5% 1608 R/TP
		R463	0RJ0332D677	33 OHM 1/10 W 5% 1608 R/TP
		R464	0RJ3301D677	3.3K OHM 1/10 W 5% 1608 R/TP
		R471	0RJ1000D677	100 OHM 1/10 W 5% 1608 R/TP
		R473	0RJ4700D677	470 OHM 1/10 W 5% 1608 R/TP
		R479	0RJ0000D677	0 OHM 1/10 W 5% 1608 R/TP
		R480	0RJ0000D677	0 OHM 1/10 W 5% 1608 R/TP
		R481	0RJ0000D677	0 OHM 1/10 W 5% 1608 R/TP
		R482	0RJ1000D677	100 OHM 1/10 W 5% 1608 R/TP
		R483	0RJ0000D677	0 OHM 1/10 W 5% 1608 R/TP
		R488	0RJ0000D677	0 OHM 1/10 W 5% 1608 R/TP
		R494	0RJ1000D677	100 OHM 1/10 W 5% 1608 R/TP
		R495	0RJ1000D677	100 OHM 1/10 W 5% 1608 R/TP
		R496	0RJ2201D677	2200 OHM 1/10 W 5% 1608 R/TP
		R497	0RJ2201D677	2200 OHM 1/10 W 5% 1608 R/TP
		R498	0RJ4701D677	4.7K OHM 1/10 W 5% 1608 R/TP
		R499	0RJ4701D677	4.7K OHM 1/10 W 5% 1608 R/TP
		R5001	0RJ4701D677	4.7K OHM 1/10 W 5% 1608 R/TP
		R5002	0RJ4701D677	4.7K OHM 1/10 W 5% 1608 R/TP
		R5003	0RJ0000D677	0 OHM 1/10 W 5% 1608 R/TP
		R5004	0RJ0000D677	0 OHM 1/10 W 5% 1608 R/TP
		R5005	0RJ4701D677	4.7K OHM 1/10 W 5% 1608 R/TP
		R5006	0RJ1001D677	1K OHM 1/10 W 5% 1608 R/TP
		R5007	0RJ1001D677	1K OHM 1/10 W 5% 1608 R/TP
		R5008	0RJ0000D677	0 OHM 1/10 W 5% 1608 R/TP
		R501	0RJ1001D677	1K OHM 1/10 W 5% 1608 R/TP
		R5010	0RJ0000D677	0 OHM 1/10 W 5% 1608 R/TP
		R5011	0RJ0000D677	0 OHM 1/10 W 5% 1608 R/TP
		R5013	0RJ3600D477	360 OHM 1/10 W 1% 1608 R/TP
		R5014	0RJ0000D677	0 OHM 1/10 W 5% 1608 R/TP
		R5015	0RJ1002D677	10K OHM 1/10 W 5% 1608 R/TP
		R502	0RJ1001D677	1K OHM 1/10 W 5% 1608 R/TP
		R503	0RJ1001D677	1K OHM 1/10 W 5% 1608 R/TP
		R504	0RJ1001D677	1K OHM 1/10 W 5% 1608 R/TP
		R505	0RJ1001D677	1K OHM 1/10 W 5% 1608 R/TP
		R506	0RJ1001D677	1K OHM 1/10 W 5% 1608 R/TP
		R508	0RJ3301D677	3.3K OHM 1/10 W 5% 1608 R/TP
		R509	0RJ1001D677	1K OHM 1/10 W 5% 1608 R/TP
		R511	0RJ1000D677	100 OHM 1/10 W 5% 1608 R/TP
		R512	0RJ1001D677	1K OHM 1/10 W 5% 1608 R/TP
		R514	0RJ1001D677	1K OHM 1/10 W 5% 1608 R/TP
		R515	0RJ0000D677	0 OHM 1/10 W 5% 1608 R/TP
		R518	0RJ1000D677	100 OHM 1/10 W 5% 1608 R/TP
		R521	0RJ3302D677	33K OHM 1/10 W 5% 1608 R/TP
		R522	0RJ1001D677	1K OHM 1/10 W 5% 1608 R/TP
		R523	0RJ2002D677	20000 OHM 1/10 W 5% 1608 R/TP
		R524	0RJ3302D677	33K OHM 1/10 W 5% 1608 R/TP
		R526	0RJ2002D677	20000 OHM 1/10 W 5% 1608 R/TP
		R527	0RJ1203D677	120K OHM 1/10 W 5% 1608 R/TP
		R528	0RJ1203D677	120K OHM 1/10 W 5% 1608 R/TP
		R529	0RJ1002D677	10K OHM 1/10 W 5% 1608 R/TP
		R530	0RJ1001D677	1K OHM 1/10 W 5% 1608 R/TP

DATE: 2005. 06. 15.				
*S	*AL	LOC. NO.	PART NO.	DESCRIPTION / SPECIFICATION
		R531	0RJ1001D677	1K OHM 1/10 W 5% 1608 R/TP
		R534	0RJ2402D677	24K OHM 1/10 W 5% 1608 R/TP
		R535	0RJ2002D477	20K OHM 1/10 W 1% 1608 R/TP
		R536	0RJ0000D677	0 OHM 1/10 W 5% 1608 R/TP
		R537	0RJ2402D677	24K OHM 1/10 W 5% 1608 R/TP
		R538	0RJ2402D677	24K OHM 1/10 W 5% 1608 R/TP
		R539	0RJ3302D477	33K OHM 1/10 W 1% 1608 R/TP
		R541	0RJ1000D677	100 OHM 1/10 W 5% 1608 R/TP
		R544	0RJ1000D677	100 OHM 1/10 W 5% 1608 R/TP
		R545	0RJ3302D677	33K OHM 1/10 W 5% 1608 R/TP
		R550	0RJ2002D677	20000 OHM 1/10 W 5% 1608 R/TP
		R551	0RJ3302D677	33K OHM 1/10 W 5% 1608 R/TP
		R552	0RJ2702D677	27K OHM 1/10 W 5% 1608 R/TP
		R554	0RJ2002D677	20000 OHM 1/10 W 5% 1608 R/TP
		R556	0RJ1001D677	1K OHM 1/10 W 5% 1608 R/TP
		R557	0RJ1001D677	1K OHM 1/10 W 5% 1608 R/TP
		R558	0RJ1000D677	100 OHM 1/10 W 5% 1608 R/TP
		R559	0RJ1000D677	100 OHM 1/10 W 5% 1608 R/TP
		R560	0RJ1000D677	100 OHM 1/10 W 5% 1608 R/TP
		R561	0RJ1000D677	100 OHM 1/10 W 5% 1608 R/TP
		R562	0RJ0000D677	0 OHM 1/10 W 5% 1608 R/TP
		R565	0RJ0000D677	0 OHM 1/10 W 5% 1608 R/TP
		R579	0RJ1002D677	10K OHM 1/10 W 5% 1608 R/TP
		R580	0RJ1002D677	10K OHM 1/10 W 5% 1608 R/TP
		R581	0RJ1002D677	10K OHM 1/10 W 5% 1608 R/TP
		R583	0RJ1002D677	10K OHM 1/10 W 5% 1608 R/TP
		R585	0RJ1002D677	10K OHM 1/10 W 5% 1608 R/TP
		R586	0RJ1002D677	10K OHM 1/10 W 5% 1608 R/TP
		R587	0RJ1002D677	10K OHM 1/10 W 5% 1608 R/TP
		R588	0RJ1002D677	10K OHM 1/10 W 5% 1608 R/TP
		R592	0RJ1002D677	10K OHM 1/10 W 5% 1608 R/TP
		R593	0RJ1002D677	10K OHM 1/10 W 5% 1608 R/TP
		R595	0RJ1002D677	10K OHM 1/10 W 5% 1608 R/TP
		R597	0RJ1002D677	10K OHM 1/10 W 5% 1608 R/TP
		R603	0RJ3301D677	3.3K OHM 1/10 W 5% 1608 R/TP
		R604	0RJ1002D677	10K OHM 1/10 W 5% 1608 R/TP
		R605	0RJ2201D677	2200 OHM 1/10 W 5% 1608 R/TP
		R608	0RJ1802D677	18K OHM 1/10 W 5% 1608 R/TP
		R609	0RJ1802D677	18K OHM 1/10 W 5% 1608 R/TP
		R610	0RJ1802D677	18K OHM 1/10 W 5% 1608 R/TP
		R611	0RJ1802D677	18K OHM 1/10 W 5% 1608 R/TP
		R612	0RJ1802D677	18K OHM 1/10 W 5% 1608 R/TP
		R613	0RJ2202D677	22K OHM 1/10 W 5% 1608 R/TP
		R615	0RJ1500D677	150 OHM 1/10 W 5% 1608 R/TP
		R624	0RJ0222D677	22 OHM 1/10 W 5% 1608 R/TP
		R625	0RJ4701D677	4.7K OHM 1/10 W 5% 1608 R/TP
		R627	0RJ0222D677	22 OHM 1/10 W 5% 1608 R/TP
		R634	0RJ1001D677	1K OHM 1/10 W 5% 1608 R/TP
		R635	0RJ0000D677	0 OHM 1/10 W 5% 1608 R/TP
		R636	0RJ1000D677	100 OHM 1/10 W 5% 1608 R/TP
		R638	0RJ0000D677	0 OHM 1/10 W 5% 1608 R/TP
		R639	0RJ2202D677	22K OHM 1/10 W 5% 1608 R/TP
		R640	0RJ5600D677	560 OHM 1/10 W 5% 1608 R/TP
		R641	0RJ2202D677	22K OHM 1/10 W 5% 1608 R/TP
		R642	0RJ5600D677	560 OHM 1/10 W 5% 1608 R/TP
		R701	0RJ0000D677	0 OHM 1/10 W 5% 1608 R/TP
		R702	0RJ4703D677	470K OHM 1/10 W 5% 1608 R/TP
		R703	0RJ4703D677	470K OHM 1/10 W 5% 1608 R/TP
		R704	0RJ0000D677	0 OHM 1/10 W 5% 1608 R/TP
		R705	0RJ4703D677	470K OHM 1/10 W 5% 1608 R/TP
		R706	0RJ4703D677	470K OHM 1/10 W 5% 1608 R/TP
		R707	0RJ0752D677	75 OHM 1/10 W 5% 1608 R/TP

DATE: 2005. 06. 15.				
*S	*AL	LOC. NO.	PART NO.	DESCRIPTION / SPECIFICATION
		R708	0RJ0752D677	75 OHM 1/10 W 5% 1608 R/TP
		R709	0RJ4703D677	470K OHM 1/10 W 5% 1608 R/TP
		R710	0RJ4703D677	470K OHM 1/10 W 5% 1608 R/TP
		R711	0RJ0752D677	75 OHM 1/10 W 5% 1608 R/TP
		R712	0RJ0822D677	82 OHM 1/10 W 5% 1608 R/TP
		R713	0RJ0752D677	75 OHM 1/10 W 5% 1608 R/TP
		R715	0RJ0822D677	82 OHM 1/10 W 5% 1608 R/TP
		R717	0RJ0752D677	75 OHM 1/10 W 5% 1608 R/TP
		R719	0RJ0822D677	82 OHM 1/10 W 5% 1608 R/TP
		R721	0RJ0222D677	22 OHM 1/10 W 5% 1608 R/TP
		R722	0RJ0752D677	75 OHM 1/10 W 5% 1608 R/TP
		R723	0RJ0752D677	75 OHM 1/10 W 5% 1608 R/TP
		R724	0RJ0752D677	75 OHM 1/10 W 5% 1608 R/TP
		R725	0RJ0222D677	22 OHM 1/10 W 5% 1608 R/TP
		R726	0RJ0222D677	22 OHM 1/10 W 5% 1608 R/TP
		R727	0RJ0752D677	75 OHM 1/10 W 5% 1608 R/TP
		R728	0RJ1001D677	1K OHM 1/10 W 5% 1608 R/TP
		R729	0RJ5600D677	560 OHM 1/10 W 5% 1608 R/TP
		R730	0RJ5600D677	560 OHM 1/10 W 5% 1608 R/TP
		R731	0RJ5600D677	560 OHM 1/10 W 5% 1608 R/TP
		R733	0RJ1002D677	10K OHM 1/10 W 5% 1608 R/TP
		R734	0RJ1002D677	10K OHM 1/10 W 5% 1608 R/TP
		R735	0RJ1001D677	1K OHM 1/10 W 5% 1608 R/TP
		R736	0RJ4703D677	470K OHM 1/10 W 5% 1608 R/TP
		R737	0RJ0752D677	75 OHM 1/10 W 5% 1608 R/TP
		R738	0RJ0222D677	22 OHM 1/10 W 5% 1608 R/TP
		R739	0RJ0752D677	75 OHM 1/10 W 5% 1608 R/TP
		R740	0RJ0222D677	22 OHM 1/10 W 5% 1608 R/TP
		R741	0RJ0752D677	75 OHM 1/10 W 5% 1608 R/TP
		R742	0RJ0222D677	22 OHM 1/10 W 5% 1608 R/TP
		R743	0RJ0752D677	75 OHM 1/10 W 5% 1608 R/TP
		R744	0RJ0222D677	22 OHM 1/10 W 5% 1608 R/TP
		R745	0RJ5102D677	51K OHM 1/10 W 5% 1608 R/TP
		R746	0RJ2002D677	20000 OHM 1/10 W 5% 1608 R/T
		R750	0RJ1502D677	15K OHM 1/10 W 5% 1608 R/TP
		R751	0RJ1502D677	15K OHM 1/10 W 5% 1608 R/TP
		R752	0RJ1002D677	10K OHM 1/10 W 5% 1608 R/TP
		R753	0RJ1002D677	10K OHM 1/10 W 5% 1608 R/TP
		R754	0RJ1001D677	1K OHM 1/10 W 5% 1608 R/TP
		R755	0RJ1001D677	1K OHM 1/10 W 5% 1608 R/TP
		R756	0RJ1502D677	15K OHM 1/10 W 5% 1608 R/TP
		R757	0RJ1502D677	15K OHM 1/10 W 5% 1608 R/TP
		R758	0RJ1002D677	10K OHM 1/10 W 5% 1608 R/TP
		R759	0RJ1002D677	10K OHM 1/10 W 5% 1608 R/TP
		R760	0RJ1001D677	1K OHM 1/10 W 5% 1608 R/TP
		R761	0RJ1001D677	1K OHM 1/10 W 5% 1608 R/TP
		R801	0RJ1000D677	100 OHM 1/10 W 5% 1608 R/TP
		R802	0RJ1000D677	100 OHM 1/10 W 5% 1608 R/TP
		R803	0RJ1000D677	100 OHM 1/10 W 5% 1608 R/TP
		R804	0RJ1000D677	100 OHM 1/10 W 5% 1608 R/TP
		R805	0RJ1000D677	100 OHM 1/10 W 5% 1608 R/TP
		R806	0RJ1000D677	100 OHM 1/10 W 5% 1608 R/TP
		R807	0RJ1000D677	100 OHM 1/10 W 5% 1608 R/TP
		R808	0RJ1000D677	100 OHM 1/10 W 5% 1608 R/TP
		R809	0RJ1000D677	100 OHM 1/10 W 5% 1608 R/TP
		R810	0RJ1000D677	100 OHM 1/10 W 5% 1608 R/TP
		R811	0RJ1002D677	10K OHM 1/10 W 5% 1608 R/TP
		R813	0RJ0222D677	22 OHM 1/10 W 5% 1608 R/TP
		R814	0RJ0222D677	22 OHM 1/10 W 5% 1608 R/TP
		R815	0RJ0222D677	22 OHM 1/10 W 5% 1608 R/TP
		R816	0RJ0222D677	22 OHM 1/10 W 5% 1608 R/TP
		R817	0RJ0222D677	22 OHM 1/10 W 5% 1608 R/TP

DATE: 2005. 06. 15.				
*S	*AL	LOC. NO.	PART NO.	DESCRIPTION / SPECIFICATION
		R818	0RJ0222D677	22 OHM 1/10 W 5% 1608 R/TP
		R819	0RJ0222D677	22 OHM 1/10 W 5% 1608 R/TP
		R820	0RJ0222D677	22 OHM 1/10 W 5% 1608 R/TP
		R821	0RJ1000D677	100 OHM 1/10 W 5% 1608 R/TP
		R822	0RJ0222D677	22 OHM 1/10 W 5% 1608 R/TP
		R828	0RJ0222D677	22 OHM 1/10 W 5% 1608 R/TP
		R829	0RJ0222D677	22 OHM 1/10 W 5% 1608 R/TP
		R830	0RJ1000D677	100 OHM 1/10 W 5% 1608 R/TP
		R837	0RJ0000D677	0 OHM 1/10 W 5% 1608 R/TP
		R838	0RJ0000D677	0 OHM 1/10 W 5% 1608 R/TP
		R842	0RJ1000D677	100 OHM 1/10 W 5% 1608 R/TP
		R901	0RJ0222D677	22 OHM 1/10 W 5% 1608 R/TP
		R906	0RJ0222D677	22 OHM 1/10 W 5% 1608 R/TP
		R907	0RJ0222D677	22 OHM 1/10 W 5% 1608 R/TP
		R908	0RJ0332D677	33 OHM 1/10 W 5% 1608 R/TP
		R909	0RJ4701D677	4.7K OHM 1/10 W 5% 1608 R/TP
		R910	0RJ4701D677	4.7K OHM 1/10 W 5% 1608 R/TP
		R911	0RJ4701D677	4.7K OHM 1/10 W 5% 1608 R/TP
		R912	0RJ1001D677	1K OHM 1/10 W 5% 1608 R/TP
		R915	0RJ3300D677	330 OHM 1/10 W 5% 1608 R/TP
		R916	0RJ3300D677	330 OHM 1/10 W 5% 1608 R/TP
		R917	0RJ3300D677	330 OHM 1/10 W 5% 1608 R/TP
		R918	0RJ3300D677	330 OHM 1/10 W 5% 1608 R/TP
		R919	0RJ3300D677	330 OHM 1/10 W 5% 1608 R/TP
		R920	0RJ4700D677	470 OHM 1/10 W 5% 1608 R/TP
		R924	0RJ1000D677	100 OHM 1/10 W 5% 1608 R/TP
		R925	0RJ1000D677	100 OHM 1/10 W 5% 1608 R/TP
		R926	0RJ1000D677	100 OHM 1/10 W 5% 1608 R/TP
		R927	0RJ1000D677	100 OHM 1/10 W 5% 1608 R/TP
		R933	0RJ0000D677	0 OHM 1/10 W 5% 1608 R/TP
		R934	0RJ0000D677	0 OHM 1/10 W 5% 1608 R/TP
		R935	0RJ1000D677	100 OHM 1/10 W 5% 1608 R/TP
		R936	0RJ5601D477	5.6K OHM 1/10 W 1% 1608 R/TP
		R937	0RJ1001D677	1K OHM 1/10 W 5% 1608 R/TP
		R939	0RJ2200D677	220 OHM 1/10 W 5% 1608 R/TP
		R940	0RJ3600D477	360 OHM 1/10 W 1% 1608 R/TP
		R941	0RJ1000D677	100 OHM 1/10 W 5% 1608 R/TP
		R944	0RJ1000D677	100 OHM 1/10 W 5% 1608 R/TP
		R945	0RJ2200D677	220 OHM 1/10 W 5% 1608 R/TP
		R946	0RJ1000D677	100 OHM 1/10 W 5% 1608 R/TP
		R947	0RJ1002D677	10K OHM 1/10 W 5% 1608 R/TP
		R948	0RJ1002D677	10K OHM 1/10 W 5% 1608 R/TP
		R949	0RJ4700D677	470 OHM 1/10 W 5% 1608 R/TP
		R950	0RJ3600D477	360 OHM 1/10 W 1% 1608 R/TP
		R952	0RJ0000D677	0 OHM 1/10 W 5% 1608 R/TP
		R953	0RJ0000D677	0 OHM 1/10 W 5% 1608 R/TP
		R955	0RJ0000D677	0 OHM 1/10 W 5% 1608 R/TP
		R960	0RJ3300D677	330 OHM 1/10 W 5% 1608 R/TP
		R962	0RJ1000D677	100 OHM 1/10 W 5% 1608 R/TP
		R963	0RJ1005D677	10M OHM 1/10 W 5% 1608 R/TP
		R965	0RJ1000D677	100 OHM 1/10 W 5% 1608 R/TP
		R966	0RJ3300D677	330 OHM 1/10 W 5% 1608 R/TP
OTHERs				
		X401	6202TST001A	"SX-1 SUNNY ,SMS, 14.31818MHZ"
		X1001	6202TST001C	"SX-1, SUNNY SMD, 6.0MHZ ,50P"
		X516	6202TST003B	HC-49/SM5H KONY CHIP 18.432M
		X901	6202TST001H	SX-1 SUNNY 27MHZ +/- 30 PPM
		X902	6212AB2806A	SX-1 SUNNY 24.576MHZ +/- 50
		TU201	6700MF0012C	TAFM-W103P LGIT MULTI FS PHO

