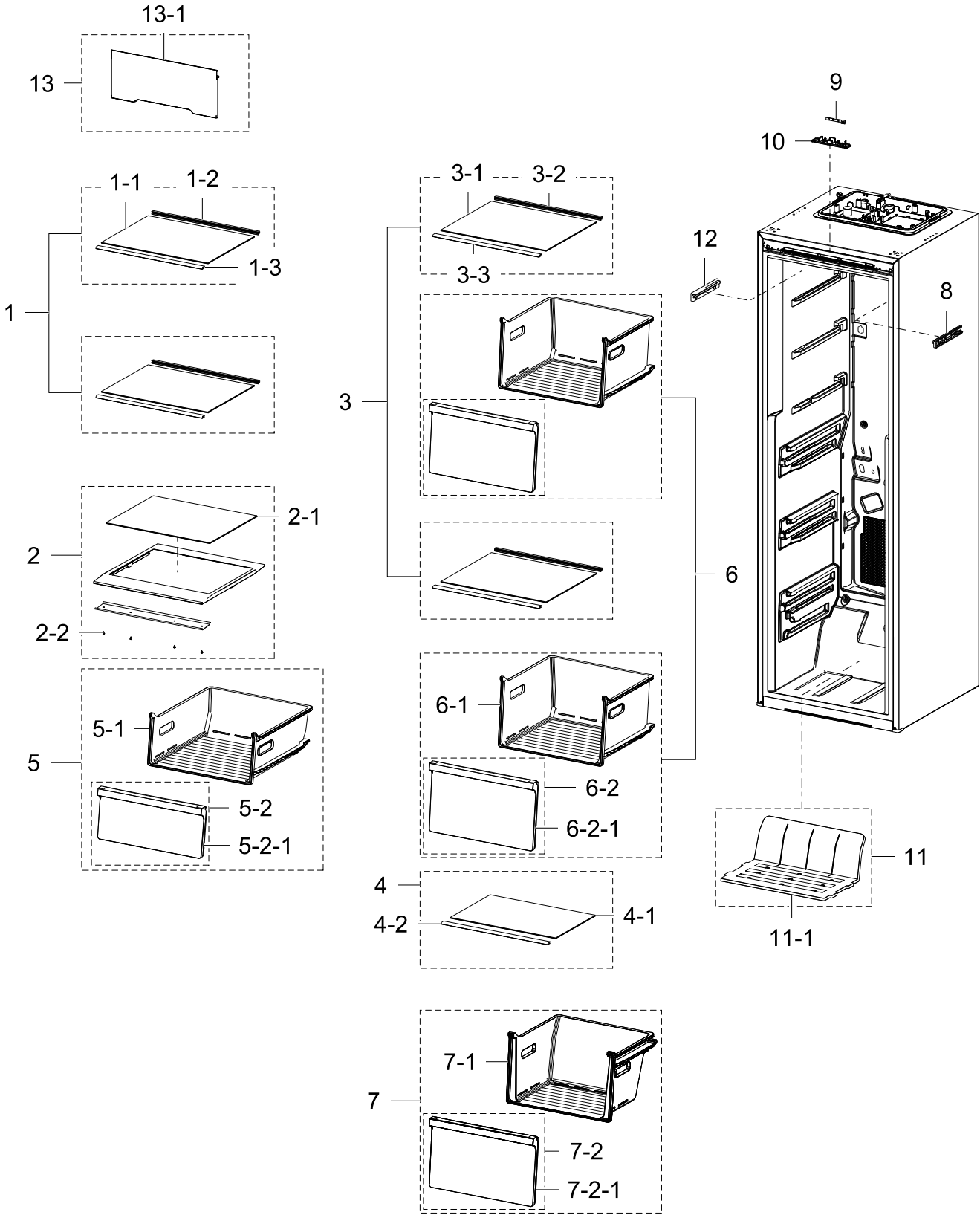


# 1. Freezer

## Exploded View



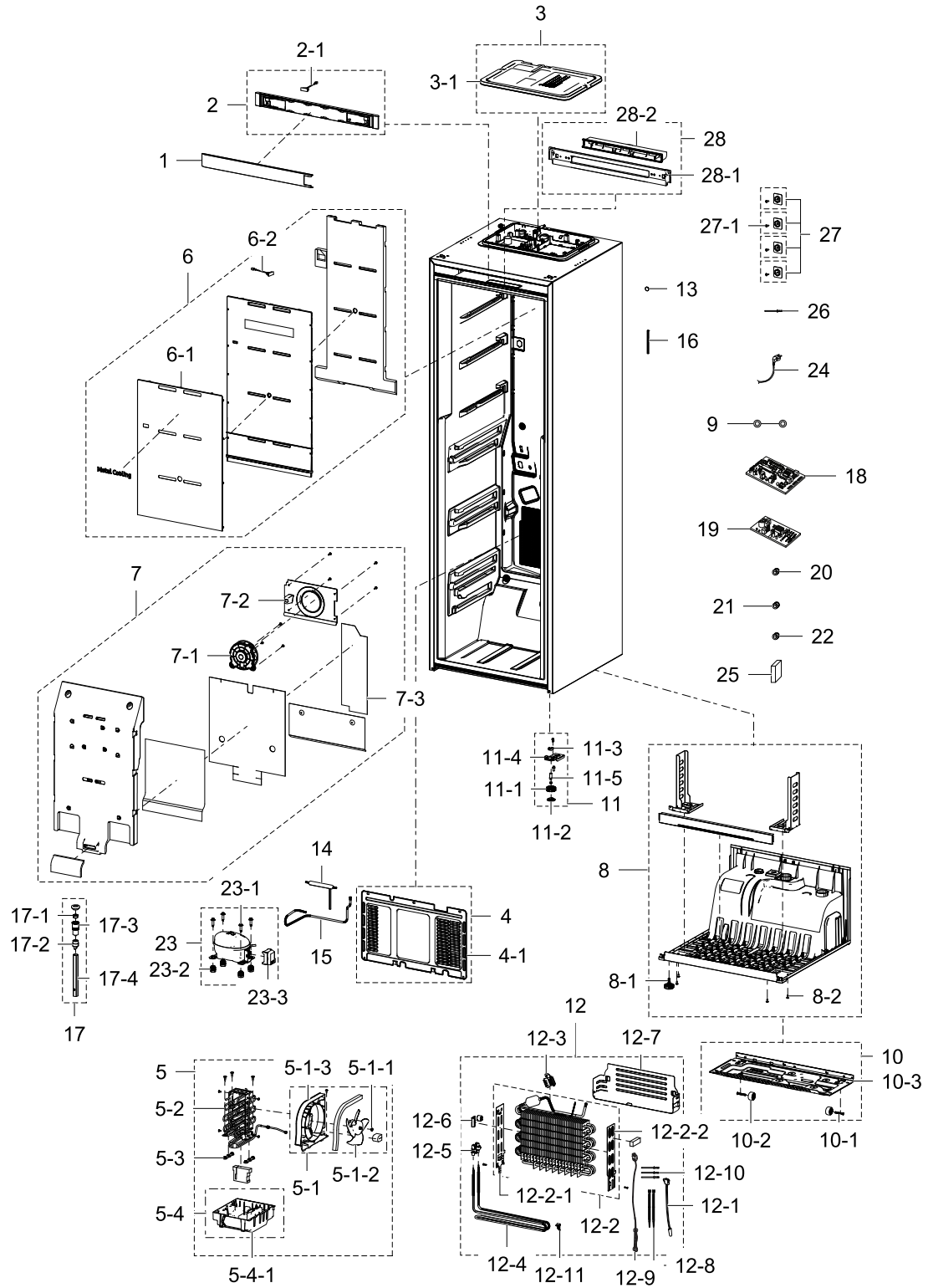
## Parts List

No.	Lvl.	Loc.	Material Code	Description & Specification	SNA	Qty.
1	2		DA97-17520B	ASSY SHELF-FRE UP; RR7000M,SILVER TRIM	SA	2
1-1	3		DA64-05323A	GLASS-SHELF FRE UP; RR7000M,GLASS,3.2,446	SNA	2
1-2	3		DA64-04395W	TRIM SHELF-FRE REAR; RR7000M,HIPS,S834S1,	SNA	2
1-3	3		DA64-04407Y	TRIM SHELF-FRE FRONT; RR7000M,ABS,HG-0760	SNA	2
2	2	M0351	DA97-17523A	ASSY SHELF-FRE; RR7000M	SA	1
2-1	3		DA64-05324A	GLASS-SHELF FRE; RR7000M,GLASS,3.2,435,34	SNA	1
2-2	3	G0412	6002-000239	SCREW-TAPPING; TH,+,NO,2S,M4,L8,ZPC(WHT),	SA	4
3	2		DA97-17519A	ASSY SHELF-FRE MIDDLE; RR7000M	SA	2
3-1	3		DA64-05325A	GLASS-SHELF FRE MIDDLE; RR7000M,GLASS,3.2	SNA	2
3-2	3		DA64-04395V	TRIM SHELF-FRE REAR; RR7000M,HIPS,S834S1,	SNA	2
3-3	3		DA64-05354E	TRIM SHELF-FRE FRONT; RR,HIPS,S834S1,COOL	SNA	3
4	2		DA97-17518A	ASSY SHELF-FRE LOW; RR7000M	SA	1
4-1	3		DA64-05326A	GLASS-SHELF FRE LOW; RR7000M,GLASS,3.2,44	SNA	1
4-2	3		DA64-05354E	TRIM SHELF-FRE FRONT; RR,HIPS,S834S1,COOL	SNA	3
5	2		DA97-17507B	ASSY CASE BASKET-UP; RR7000M,Hot Stamping	SA	1
5-1	3		DA61-11349A	CASE BASKET-UP; RR7000M,PP,COOL WHITE	SNA	1
5-2	3		DA97-17814B	ASSY COVER BASKET-UP; RR7000M,ASSY, PRINT	SNA	1
5-2-1	4		DA63-08631A	COVER BASKET-UP; RR7000M,GPPS,TP BLUE	SNA	1
6	2		DA97-17506B	ASSY CASE BASKET-MIDDLE; RR7000M,Hot Stam	SA	2
6-1	3		DA61-11350A	CASE BASKET-MIDDLE; RR7000M,PP,COOL WHITE	SNA	2
6-2	3		DA97-17815B	ASSY COVER BASKET-LOW; RR7000M,ASSY, PRIN	SNA	3
6-2-1	4		DA63-08633A	COVER BASKET-LOW; RR7000M,GPPS,TP BLUE	SNA	3
7	2	A1186	DA97-17505B	ASSY CASE BASKET-LOW; RR7000M,Hot Stampin	SA	1
7-1	3		DA61-11351A	CASE BASKET-LOW; RR7000M,PP,COOL WHITE	SNA	1
7-2	3		DA97-17815B	ASSY COVER BASKET-LOW; RR7000M,ASSY, PRIN	SNA	3

No.	Lvl.	Loc.	Material Code	Description & Specification	SNA	Qty.
7-2-1	4		DA63-08633A	COVER BASKET-LOW; RR7000M,GPPS,TP BLUE	SNA	3
8	2		DA63-08637A	COVER RAIL-LEFT; RR7000M,HIPS,COOL WHITE,	SA	1
9	2	G0090	DA41-00519R	ASSY LAMP LED; 3ea,CEM-1,65*10,WHITE,SMAW	SA	1
10	2	A0490	DA63-07368A	COVER-LAMP; 3050,GPPS,T2.0,TP BLUE,G116HV	SA	1
11	2		DA97-17973A	ASSY SHELF-FRE BOTTOM; RR7000M	SA	1
11-1	3		DA67-04511A	SHELF-BOTTOM; RR7000M,HIPS,COOL WHITE	SNA	1
12	2		DA63-08639A	COVER RAIL-RIGHT; RR7000M,HIPS,COOL WHITE	SA	1
13	2		DA97-17701A	ASSY COVER FOLDER; RR7000M	SA	1
13-1	3		DA63-08636A	COVER CHILLED ROOM; RR7000M,GPPS,TP BLUE	SNA	1

# 2. Cabinet

## Exploded View



## Parts List

No.	Lvl.	Loc.	Material Code	Description & Specification	SNA	Qty.
1	2		DA63-08660A	COVER FRAME-TOP FRONT; RR7000M,ABS,HB,INO	SA	1
2	2	A0904	DA97-17351A	ASSY COVER CONTROL-FRONT; RR7000M,INOX GR	SA	1
2-1	3	G0068	DA34-00043A	SWITCH REED; UL1007 AWG 22,100mm,DEM1-B50	SA	1
3	2		DA97-17317A	ASSY COVER PBA; RR7000M,GI-SGCC	SA	1
3-1	3		DA63-08675A	COVER PBA; RR7000M,GI-SGCC,T0.4	SNA	1
4	2	M0076	DA97-17324A	ASSY COVER COMP; RR7000M	SA	1
4-1	3	Z1131	DA63-08663A	COVER COMP; RR7000M,GI-SGCC,T0.25,EMBO	SNA	1
5	2	A0529	DA97-17318A	ASSY TRAY DRAIN WATER; RR7000M,C150Q, Al-	SA	1
5-1	3	M0116	DA97-17321A	ASSY SUPPORT-CIRCUIT MOTOR; RR7000M,C150Q	SA	1
5-1-1	4	A0768	DA61-20128A	SPRING ETC-FAN; STS304,PI8.8,ID7.8,OD9.8,	SA	1
5-1-2	4		DA31-00339B	MOTOR BLDC FAN; ARCS2088RB,1230,12V,1.15W	SNA	1
5-1-3	4		DA61-11378A	SUPPORT MOTOR; RR7000M,ABS	SNA	1
5-2	3	G0270	DA97-12865A	ASSY PIPE-CONDENSER; TWIN12,SPIRAL-AL	SA	1
5-3	3	M0181	DA63-40128A	GROMMET-SUB COND; -,NBR,-,-,-,-,-,DARK-	SA	2
5-4	3		DA97-17864A	ASSY TRAY; RR7000M,TRAY DRAIN WATER, SEAL	SNA	1
5-4-1	3	T0035	6009-001252	SCREW-SPECIAL; PH,+,-,M4.0,L20(12),ZPC(WH	SNA	3
6	2	M0304	DA97-17202B	ASSY COVER MULTI-FRE; RR7000M,PLATE COOLI	SA	1
6-1	3		DA61-11353A	PLATE COOLING; RR7000M,Al,T0.5	SNA	1
6-2	3	A1018	DA32-00070C	SENSOR TEMP; SC41200-021A,250mm,13.2kohm	SA	1
7	2	M0303	DA97-17185A	ASSY COVER EVAP-FRE; RR7000M	SA	1
7-1	3		DA31-00287C	MOTOR BLDC FAN; ARES2120RC,1870 rpm,12V,0	SA	1
7-2	3	M0143	DA61-08425A	CASE-MOTOR FRE; HM12,ABS,LIGHT GRAY,CNTK	SA	1
7-3	3		DA63-08948A	SHEET-FRE; RR7000M,PP,0.9,NATURAL	SNA	1
8	2		DA97-17309B	ASSY CABI FRAME-BOTTOM; RR7000M,PP,BLACK,	SNA	1
8-1	3	Z1128	DA61-07546B	LEG-FRONT; GRAND CRU,PP,BLACK,RM60,PP Scr	SA	1
8-2	3	G0412	6002-000213	SCREW-TAPPING; TH,+,1,M4,L12,ZPC(WHT),SWR	SNA	15
9	2	A0562	DA39-20389A	ASSY WIRE HARNESS-EARTH; ALL,FREE VOLT,UL	SA	1

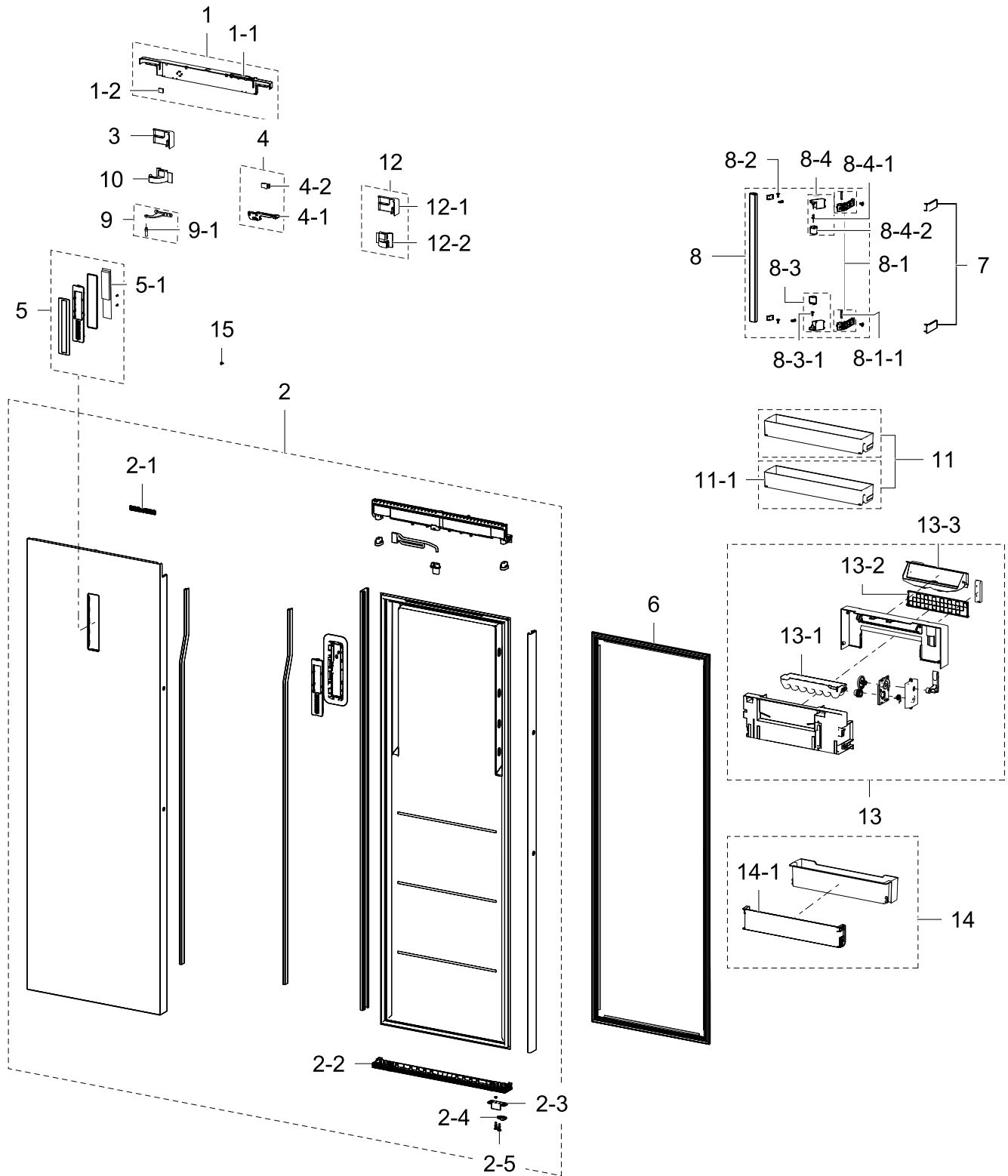
Exploded Views and Parts List

No.	Lvl.	Loc.	Material Code	Description & Specification	SNA	Qty.
10	2	A0526	DA97-17325A	ASSY CHASSIS COMP; RR7000M	SA	1
10-1	3	A0861	DA60-90146A	PIN-CASTER; SR-289-429,MSWR10,OD6.0,L38,Z	SA	2
10-2	3	A0527	DA61-06202A	CASTER-REAR; GRAND-CRU,PP,NATURAL	SA	2
10-3	3	A0739	DA64-05193A	CHASSIS COMP; RR7000M,GI-SGCC,T1.0,-,-	SNA	1
11	2		DA97-17381A	ASSY HINGE-LOW LEFT; RR7000M,T4.0,BLACK	SA	1
11-1	3	A0577	DA61-07972B	FOOT-FRONT; POLARIS,PP,BLACK,INSERT NUT,	SA	1
11-2	3	A0863	DA61-07973B	FOOT; POLARIS,PP,BLACK,PP_S	SA	1
11-3	3	M0266	DA66-00401A	CAM-RISER; SAPPHIRE-PJT,PA66,BLACK,KN3311	SA	1
11-4	3	A0247	DA61-11358A	HINGE-LOW; RR7000M,PO-SPHC,T4.0	SNA	1
11-5	3		DA66-01249A	SHAFT HINGE-LOW; RR7000M,SWRCH10A,WHITE,Z	SNA	1
12	2	A0163	DA96-01211A	ASSY EVAP-FRE; RR7000M,FIN TUBE,AC230V,20	SA	1
12-1	3	A1018	DA32-00029R	SENSOR TEMP; DTN-C502G6X, DKST1329GW,SSED	SA	1
12-2	3		DA59-00600A	EVAPORATOR-FRE; Fin Tube,RR7000M,2,AI1070	SNA	1
12-2-1	4		DA61-11359A	PLATE EVAP-FRE RIGHT; RR7000M,AI,T0.6	SNA	1
12-2-2	4		DA61-11363A	PLATE EVAP-FRE LEFT; RR7000M,AI,T0.6	SNA	1
12-3	3	T0066	DA61-00603A	FIXER SENSOR; n-PJT,PP,T2.0,NATURAL,HB,BJ	SA	1
12-4	3		DA47-00489A	HEATER METAL SHEATH; AC230V,RR7000M FRE,2	SA	1
12-5	3	G0205	DA61-07410A	FIXER-HEATER FRE; NW2,PP,NATURAL,BJ750	SA	2
12-6	3	A0744	DA61-07411A	FIXER-FUSE; NW2,PP,NATURAL,BJ750	SA	1
12-7	3		DA61-11382A	PLATE DRAIN-FRE; RR7000M,GI-SGCC,T0.3	SNA	1
12-8	3		6501-000124	CABLE TIE; DA-200,T1.2,W4.5,L213.2,NTR,NY	SNA	3
12-9	3	A1008	DA47-00301F	THERMO FUSE-ASSY; AC250V,10A,109~110S	SNA	1
12-10	3	A0328	DA60-90005A	FASTENER-RIVET; AI,DIA-3.2,L10.6	SNA	10
12-11	3	M9010	DA61-03644A	PLATE-EVAP HEATER; AW-PJT,AI,T0.7	SA	1
13	2	A0270	DA67-30266K	CAP SCREW; A-TOP,PP,T1.5,HB,BJ750,COOL WH	SA	1
14	2	A0669	DA62-04309C	DRYER; Cu,118,SINGLE MOUTH,6g	SA	1
15	2		DA62-04855A	PIPE CONNECT-SUCTION; RR7000M,Cu,6.35,0.6	SA	1
16	2	A0523	DA73-10190U	PIPE-CONNECT DISC,B; ALL,Cu,C1220T,OD6.35	SA	1
17	2	M0067	DA97-04049E	ASSY CAP-DRAIN; AW3	SA	1
17-1	3	A0336	DA61-05021A	FIXER-DRAIN; HAEMIL,PP,T0.6,CARMEN WINE,B	SA	1

No.	Lvl.	Loc.	Material Code	Description & Specification	SNA	Qty.
17-2	3		DA63-02761A	GROMMET-DRAIN; RS18RK,NBR,-,-,-,-,BLK,-	SA	1
17-3	3	A0492	DA67-01301A	CAP-DRAIN; AW4,HIPS,HB,S834S1,NATURAL	SA	1
17-4	3	A1101	DA62-01266B	TUBE PVC; AW3,SF-PVC,BLACK	SA	1
18	1	A0952	DA92-00853Q	ASSY PCB MAIN; RR7000M,160*194,FREEZER,F/	SA	1
19	1		DA92-00459P	ASSY PCB INVERTER; INVERTER,3050,148*98.5	SA	1
20	2		DA60-00279A	FITTING-LOKRING 16; SUM23,16	SA	1
21	2		DA60-00280A	FITTING-LOKRING 33; SUM23,33	SNA	1
22	2		DA60-00281A	FITTING LOKRING; SUM23,St 56	SNA	1
23	2		NN34H9112APTT3	CMP,COMP,REFRIGERATOR,R-600A; CMP,COMP,REFRIGERATOR,R-600A		1
23-1	3	A0564	6011-004061	BOLT-HEX; M6,L43.6,SWRCH10A	SA	4
23-2	3	Z1112	DA63-02617A	GROMMET COMP; USP05,EPDM,OD27.0,BLACK	SA	4
23-3	3	Z1032	DA63-06122A	COVER RELAY; MSV,MPPO,T2.0,BLACK,V-0	SA	1
24	2	A0273	3903-000794	CBF-POWER CORD; AT,E.U,EU3F,3C,250V,16A,B	SA	1
25	2		DA62-00960A	SEAL CUTT-RUBBER; RUBBER,BLACK,T3,W40,L70	SA	1
26	2	A0328	DA60-90005A	FASTENER-RIVET; AL,DIA-3.2,L10.6	SNA	1
27	3		DA97-10898B	ASSY-GROMMET FIXER; POLARIS,FRPP	SNA	4
27-1	4	G0412	6002-001122	SCREW-TAPPING; FH,+,NO,1,M4,L14,ZPC(WHT),	SC	6
28	3		DA97-17313A	ASSY CABI FRAME-UP FRONT; RR7000M	SNA	1
28-1	4		DA97-17320A	ASSY CABI FRAME-UP FRONT SUB; RR7000M,CR-	SNA	1
28-2	4		DA61-11362A	CASE CONTROL-PANEL; RR7000M,HIPS,NATURAL	SNA	1

### 3. Door

#### Exploded View





## Parts List

No.	Lvl.	Loc.	Material Code	Description & Specification	SNA	Qty.
1	2		DA97-17366A	ASSY COVER WIRE DOOR; RR7000M,INOX GRAY	SA	1
1-1	3		DA63-08665A	COVER WIRE-DOOR; RR7000M,ABS,HB,INOX GRAY	SNA	1
1-2	3	A0534	DA61-03769B	MAGNET; SVETA,FERRITE,1600Gauss	SA	1
2	2	M0063	DA91-04713D	ASSY DOOR FOAM-FRE; RR7000M,FRE,REFINED S	SA	1
2-1	3	M0196	DA64-04020C	MASCOT; ALL,Ni,T0.06,L80	SA	1
2-2	5		DA67-04346A	CAP DOOR-LOW; RR7000M,ABS,T2.3,HB,HG-0760	SNA	1
2-3	5	A0640	DA61-11383A	STOPPER DOOR; RR7000M,PO-SPHC,T3.0,BLACK,	SA	1
2-4	5	M0389	DA66-00344A	CAM-HINGE RISER LOW; USP05(ATOP,ET),PA66,	SC	1
2-5	5	G0412	6002-000613	SCREW-TAPPING; TH,+,-,2,M5,L16,ZPC(WHT),S	SA	2
3	2		DA67-04366A	CAP SPACE-DOOR RIGHT; RR7000M,ABS,HB,INOX	SA	1
4	2		DA97-17741C	ASSY COVER UNIT; RR7000M,INOX GRAY,Extern	SA	1
4-1	3		DA63-08673A	COVER-USB; RR7000M,ABS,HB,INOX GRAY	SNA	1
4-2	3		DB92-03769A	ASSY MODULE; ASSY GENDER,ASSY GENDER, CEM	SA	1
5	2		DA97-17284B	ASSY COVER CONTROL-FRE; RR7000M,FRE	SA	1
5-1	3		DA92-00638B	ASSY MODULE; 7-SEG,MATRIX,RR7000M,FREEZER	SNA	1
6	2		DA97-17702B	ASSY GASKET; RR7000M,GRAY, A++ Model	SA	1
7	2		DA63-08662A	COVER SLIDER HANDLE; RR7000M,ABS,HB,CREAM	SA	2
8	2	A0553	DA97-17287A	ASSY HANDLE; RR7000M,INOX GRAY, EASY	SA	1
8-1	3		DA97-17286A	ASSY HANDLE-A; RR7000M,INOX GRAY	SNA	2
8-1-1	4		DA66-00664B	SHAFT HANDLE; TWIN12 Face Lift,STS304,L23	SNA	2
8-2	4	G0412	6002-001122	SCREW-TAPPING; FH,+,NO,1,M4,L14,ZPC(WHT),	SC	6
8-3	3		DA97-15745A	ASSY HANDLE-UP; BK-PJT,INOX GRAY	SNA	1
8-3-1	4	G0412	6002-001122	SCREW-TAPPING; FH,+,NO,1,M4,L14,ZPC(WHT),	SC	6
8-4	3	A0811	DA97-15746A	ASSY HANDLE-LOW; BK-PJT,INOX GRAY	SNA	1
8-4-1	4	G0412	6002-001122	SCREW-TAPPING; FH,+,NO,1,M4,L14,ZPC(WHT),	SC	6
8-4-2	4		DA61-10527A	GUIDE FIXER HANDLE-LOW; ABS,HB,HG-0760GP,	SNA	1
9	2		DA97-17380A	ASSY HINGE-UP LEFT; RR7000M,T4.0,BLACK	SA	1

## Exploded Views and Parts List

No.	Lvl.	Loc.	Material Code	Description & Specification	SNA	Qty.
9-1	3	A0580	DA66-00663A	SHAFT-HINGE UPP; TWIN-PJT,SWRCH10A,ZPC(WH	SNA	1
10	2		DA63-08657A	COVER WIRE-HINGE LEFT; RR7000M,ABS,HB,INO	SA	1
11	2		DA97-17681A	ASSY GUARD-FRE; RR7000M	SA	2
11-1	3	A0711	DA63-08638A	GUARD-FRE; RR7000M,GPPS,3.0,TP BLUE,HOT S	SNA	2
12	2		DA91-04725A	ASSY INSTALL; RR7000M,INOX GRAY, FRE	SNA	1
12-1	3		DA67-04367A	CAP SPACE-DOOR LEFT; RR7000M,ABS,HB,INOX	SA	1
12-2	3		DA63-08658A	COVER WIRE-HINGE RIGHT; RR7000M,ABS,HB,IN	SA	1
13	2		DA97-17503A	ASSY ICE MAKER-INDOOR; RR7000M	SA	1
13-1	3	A0120	DA63-08670A	TRAY ICE; RR7000M,PP,COOL WHITE	SA	1
13-2	3		DA61-11392A	CASE TRAY-FRE UP; RR7000M,ABS,COOL WHITE	SA	1
13-3	3		DA61-11393A	GUIDE WATER-OUT; RR7000M,ABS,T2.5,HB,COOL	SA	1
14	2		DA97-17502A	ASSY CASE ICE; RR7000M	SA	1
14-1	3		DA61-11386A	CASE ICE; RR7000M,GPPS,TP BLUE	SNA	1
15	2		DA67-04025A	CAP SCREW; BK-PJT,ABS,-,HB,HG-0760GP,INOX	SA	2