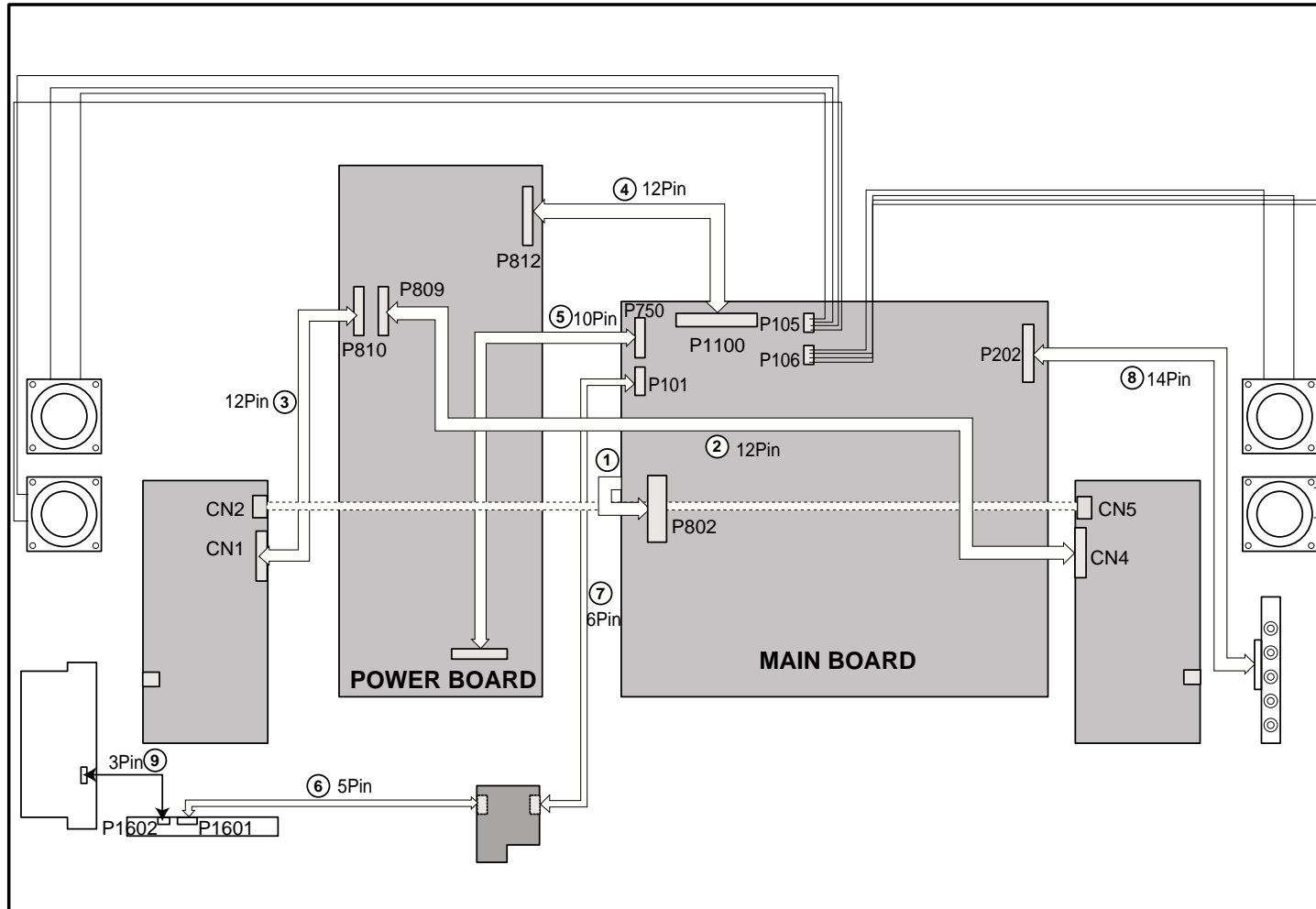


WIRING DIAGRAM

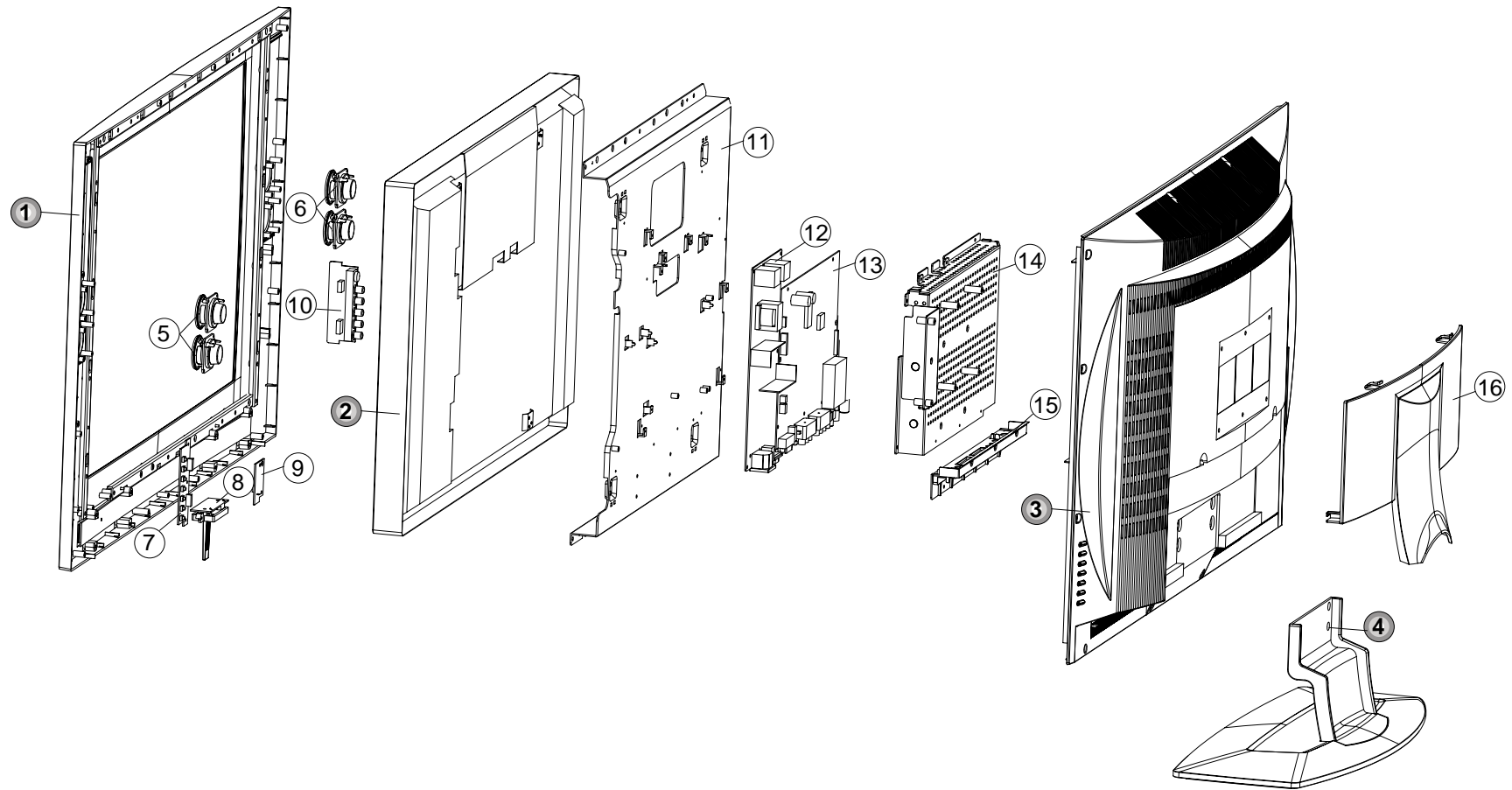


Wiring Part List

No.	Part No.
1	6631T11020C -LPL,AUO
	6631T11020D -CMO
2	6631T20032B
3	6631T20032C
4	6631T25019K
5	6631T20033F
6	6631T20033C
7	6631T20033A
8	6631T20033E
9	6631T20033D

EXPLODED VIEW

- 24 -



EXPLODED VIEW PARTS LIST

No.	PART NO.	DESCRIPTION
1	3091TKE014A	CABINET ASSEMBLY, RZ-30LZ50 BRAND 3090TKE007A NONE LPL
	3091TKE014C	CABINET ASSEMBLY, RZ-30LZ50 BRAND 3090TKE007 CMO
	3091TKE014G	CABINET ASSEMBLY, RZ-30LZ50 BRAND 3090TKE007 CMO,C/SKD
	3091TKE014F	CABINET ASSEMBLY, RZ-30LZ50 BRAND 3090TKE007 AUO
	3091TKE014H	CABINET ASSEMBLY, RZ-30LZ50 BRAND 3090TKE007 AUO C/SKD
	3091TKE014B	CABINET ASSEMBLY, RZ-30LZ50 BRAND 3090TKE007A LGEWA LPL C/SKD
2	6304FLP122A	LCD(LIQUID CRYSTAL DISPLAY), LC300W02-A5 LG PHILIPS TFT COLOR EEFL,WXGA,450NITS,LVDS
	6304FCI006A	LCD(LIQUID CRYSTAL DISPLAY), V296W1-L06 CHIMEI TFT COLOR WXGA LVDS
	6304FAU015A	LCD(LIQUID CRYSTAL DISPLAY),T296XW01 AU TFT COLOR XGA LVDS 600NITD 16MS MVA
3	3809TKE014G	BACK COVER ASSEMBLY, RZ-30LZ50 3809TKE006 CIS
	3809TKE014A	BACK COVER ASSEMBLY, RZ-30LZ50 3808TKE006A NONE
	3809TKE014B	BACK COVER ASSEMBLY, RZ-30LZ50 3808TKE006A LGEWA C/SKD
	3809TKE014D	BACK COVER ASSEMBLY, RZ-30LZ50 3808TKE006 C/SKD
	3809TKE014E	BACK COVER ASSEMBLY, RZ-30LZ50 3808TKE006 C/SKD CIS
4	3043TKK172A	TILT SWIVEL ASSEMBLY, RZ-30LZ50 NONE NONE
	3043TKK172B	TILT SWIVEL ASSEMBLY, RZ-30LZ50 LGEWA C/SKD
5	6401TZZ042C	SPEAKER ASSEMBLY, RZ-30LZ50 5WX2EA,8OHM,ESTEC(L),5P,UL1185#24,
6	6401TZZ042D	SPEAKER ASSEMBLY, RZ-30LZ50 5WX2EA,8OHM,ESTEC(R),4P,UL1185#24
7	6871TST589A	PWB(PCB) ASSEMBLY,SUB, 26LZ50 KEY SUB TOTAL BRAND KEY BOARD
8	6871TST642A	PWB(PCB) ASSEMBLY,SUB, 30LZ50 LED & P/SW TOTAL BRAND .
10	6871TVT370A	PWB(PCB) ASSEMBLY,VIDEO, RZ-30LZ50 SIDE A/V SUB TOTAL BRAND .
11	4951TKS157A	METAL ASSEMBLY, FRAME RZ-30LZ50 LPL
	4951TKS157C	METAL ASSEMBLY, FRAME RZ-30LZ50 AUO
	4951TKS157D	METAL ASSEMBLY, FRAME CMO
	4951TKS157B	METAL ASSEMBLY, FRAME RZ-30LZ50 C/SKD
12	6871TPT275A	PWB(PCB) ASSEMBLY,POWER, RZ-30LZ50 POWER TOTAL BRAND ML-041A, 23",26",27",30",32" AUTOBAN LPL, AUO
	6871TPT275C	PWB(PCB) ASSEMBLY,POWER, RZ-30LZ50 POWER TOTAL BRAND CMO NON D/D
13	3313TP3003A	MAIN TOTAL ASSEMBLY, RZ-30LZ50 LPL BRAND ML-041A
	3313TP3005A	MAIN TOTAL ASSEMBLY, RZ-30LZ50 CMO BRAND ML-041A
	3313TP3004A	MAIN TOTAL ASSEMBLY, RZ-30LZ50 AUO BRAND ML-041A
14	4951TKK169B	METAL ASSEMBLY, REAR RZ-30LZ50
	4951TKK169E	METAL ASSEMBLY, REAR RZ-30LZ50 LGEWA C/SKD
15	3551TKK516A	COVER ASSEMBLY, RZ-30LZ50 REAR NON AV
	3551TKK516B	COVER ASSEMBLY, RZ-30LZ50 REAR NON AV C/SKD
16	3550TKK519A	COVER, RZ-30LZ50 REAR AV
	3550TKK519B	COVER, RZ-30LZ50 REAR C/SKD

REPLACEMENT PARTS LIST

For Capacitor & Resistors, the characters at 2nd and 3rd digit in the P/No. means as follows;	CC, CX, CK, CN, CH : Ceramic CQ : Polyester CE : Electrolytic CF : Fixed Film	RD : Carbon Film RS : Metal Oxide Film RN : Metal Film RH : CHIP, Metal Glazed(Chip) RR : Drawing
---	--	---

DATE: 2004. 4.20.				
*S	*AL	LOC. NO.	PART NO.	DESCRIPTION / SPECIFICATION
CAPACITOR				
		C108	OCE476EK638	47UF KMG 50V M FM5 TP 5
		C1100	OCE106BF618	10UF KME 16V M FL TP5
		C1102	OCE107CK638	"100UF SHL,SD 50V M FM5 TP 5"
		C1112	OCE108EF630	1000UF KMG 16V M FM5 BULK
		C1113	OCE108EF630	1000UF KMG 16V M FM5 BULK
		C1114	OCE108EF630	1000UF KMG 16V M FM5 BULK
		C1115	OCE108EF630	1000UF KMG 16V M FM5 BULK
		C119	OCE106BF618	10UF KME 16V M FL TP5
		C120	OCE106BF618	10UF KME 16V M FL TP5
		C1200	OCE477EF638	470UF KMG 16V M FM5 TP 5
		C1202	OCE477EJ630	470UF KMG 35V M FM5 BULK
		C123	OCE477EJ630	470UF KMG 35V M FM5 BULK
		C124	OCE477EJ630	470UF KMG 35V M FM5 BULK
		C1299	OCE477EJ630	470UF KMG 35V M FM5 BULK
		C1304	OCE477EJ630	470UF KMG 35V M FM5 BULK
		C131	OCE477EJ630	470UF KMG 35V M FM5 BULK
		C132	OCE477EJ630	470UF KMG 35V M FM5 BULK
		C133	OCE477EJ630	470UF KMG 35V M FM5 BULK
		C134	OCE477EJ630	470UF KMG 35V M FM5 BULK
		C404	OCE227EJ638	220UF KMG 35V M FM5 TP 5
		C13	OCH6102K406	1000PF 50V J SL 2012 R/TP
		C1303	OCH6101K416	100PF 50V J NP0 2012 R/TP
		C1308	OCH6101K416	100PF 50V J NP0 2012 R/TP
		C14	OCH6102K406	1000PF 50V J SL 2012 R/TP
		C2	OCH6102K406	1000PF 50V J SL 2012 R/TP
		C20	OCH6102K406	1000PF 50V J SL 2012 R/TP
		C200	OCH6221K416	220PF 50V J NP0 2012 R/TP
		C237	OCH6102K406	1000PF 50V J SL 2012 R/TP
		C238	OCH6102K406	1000PF 50V J SL 2012 R/TP
		C319	OCH6120K416	12PF 50V J NP0 2012 R/TP
		C321	OCH6120K416	12PF 50V J NP0 2012 R/TP
		C324	OCH6120K416	12PF 50V J NP0 2012 R/TP
		C326	OCH6120K416	12PF 50V J NP0 2012 R/TP
		C327	OCH6120K416	12PF 50V J NP0 2012 R/TP
		C328	OCH6120K416	12PF 50V J NP0 2012 R/TP
		C329	OCH6120K416	12PF 50V J NP0 2012 R/TP
		C331	OCH6150K416	15PF 50V J NP0 2012 R/TP
		C333	OCH6150K416	15PF 50V J NP0 2012 R/TP
		C336	OCH6150K416	15PF 50V J NP0 2012 R/TP
		C338	OCH6150K416	15PF 50V J NP0 2012 R/TP
		C339	OCH6150K416	15PF 50V J NP0 2012 R/TP
		C340	OCH6150K416	15PF 50V J NP0 2012 R/TP
		C341	OCH6150K416	15PF 50V J NP0 2012 R/TP
		C43	OCH6102K406	1000PF 50V J SL 2012 R/TP
		C46	OCH6102K406	1000PF 50V J SL 2012 R/TP
		C50	OCH6102K406	1000PF 50V J SL 2012 R/TP
		C515	OCH6330K416	33PF 50V J NP0 2012 R/TP
		C516	OCH6330K416	33PF 50V J NP0 2012 R/TP
		C53	OCH6102K406	1000PF 50V J SL 2012 R/TP
		C59	OCH6102K406	1000PF 50V J SL 2012 R/TP
		C701	OCH6120K416	12PF 50V J NP0 2012 R/TP
		C702	OCH6120K416	12PF 50V J NP0 2012 R/TP
		C74	OCH6102K406	1000PF 50V J SL 2012 R/TP
		C755	OCH6471K416	470F 50V J NP0 2012 R/TP
		C756	OCH6471K416	470F 50V J NP0 2012 R/TP

DATE: 2004. 4. 20.				
*S	*AL	LOC. NO.	PART NO.	DESCRIPTION / SPECIFICATION
			C757	OCH6471K416 470F 50V J NP0 2012 R/TP
			C758	OCH6101K416 100PF 50V J NP0 2012 R/TP
			C83	OCH6102K406 1000PF 50V J SL 2012 R/TP
			C86	OCH6102K406 1000PF 50V J SL 2012 R/TP
			C924	OCH6050K116 5PF 50V D NP0 2012 R/TP
			C925	OCH6050K116 5PF 50V D NP0 2012 R/TP
			C129	181-007F "MPE ECQ-V1H224JL3(TR), 50V 0"
			C130	181-007F "MPE ECQ-V1H224JL3(TR), 50V 0"
			C10	OCH104CK56A 0.1UF 1608 50V 10% R/TP X7R
			C1001	OCH3103K516 10000PF 50V 10% B(Y5P) 2012
			C1002	OCH3103K516 10000PF 50V 10% B(Y5P) 2012
			C1003	OCH3103K516 10000PF 50V 10% B(Y5P) 2012
			C1004	OCH3103K516 10000PF 50V 10% B(Y5P) 2012
			C1007	OCH3103K516 10000PF 50V 10% B(Y5P) 2012
			C1010	OCH273DK51A 27000PF 2012 50V 10% B(Y5P)
			C107	OCH225DFK4A "2.2UF 2012 16V 20%,-20% F(Y5"
			C109	OCH3103K516 10000PF 50V 10% B(Y5P) 2012
			C11	OCH3104K566 0.1UF 50V 10% X7R 2012 R/TP
			C110	OCH3103K516 10000PF 50V 10% B(Y5P) 2012
			C113	OCH225DFK4A "2.2UF 2012 16V 20%,-20% F(Y5"
			C114	OCH225DFK4A "2.2UF 2012 16V 20%,-20% F(Y5"
			C115	OCH104CK56A 0.1UF 1608 50V 10% R/TP X7R
			C116	OCH562CK51A 5600PF 1608 50V 10% R/TP B(Y
			C117	OCH562CK51A 5600PF 1608 50V 10% R/TP B(Y
			C118	OCH104CK56A 0.1UF 1608 50V 10% R/TP X7R
			C12	OCH3104K566 0.1UF 50V 10% X7R 2012 R/TP
			C125	OCH105EK56A 1UF 3216 50V 10% X7R R/TP
			C126	OCH105EK56A 1UF 3216 50V 10% X7R R/TP
			C127	OCH3104K566 0.1UF 50V 10% X7R 2012 R/TP
			C128	OCH3104K566 0.1UF 50V 10% X7R 2012 R/TP
			C1300	OCH3104K566 0.1UF 50V 10% X7R 2012 R/TP
			C1301	OCH103CK51A 0.01UF 1608 50V 10% R/TP B(Y
			C1302	OCH3103K516 10000PF 50V 10% B(Y5P) 2012
			C1305	OCH3104K566 0.1UF 50V 10% X7R 2012 R/TP
			C1306	OCH103CK51A 0.01UF 1608 50V 10% R/TP B(Y
			C1307	OCH3103K516 10000PF 50V 10% B(Y5P) 2012
			C135	OCH3104K566 0.1UF 50V 10% X7R 2012 R/TP
			C136	OCH3104K566 0.1UF 50V 10% X7R 2012 R/TP
			C15	OCH3104K566 0.1UF 50V 10% X7R 2012 R/TP
			C16	OCH3104K566 0.1UF 50V 10% X7R 2012 R/TP
			C18	OCH106EF56A 10UF 3216 16V 10% X7R R/TP
			C19	OCH3104K566 0.1UF 50V 10% X7R 2012 R/TP
			C23	OCH3104K566 0.1UF 50V 10% X7R 2012 R/TP
			C25	OCH104CK56A 0.1UF 1608 50V 10% R/TP X7R
			C26	OCH104CK56A 0.1UF 1608 50V 10% R/TP X7R
			C27	OCH104CK56A 0.1UF 1608 50V 10% R/TP X7R
			C28	OCH334CF94A "0.33UF 1608 16V 80%,-20% F(Y"
			C29	OCH104CK56A 0.1UF 1608 50V 10% R/TP X7R
			C3	OCH3104K566 0.1UF 50V 10% X7R 2012 R/TP
			C30	OCH334CF94A "0.33UF 1608 16V 80%,-20% F(Y"
			C306	OCH3104K566 0.1UF 50V 10% X7R 2012 R/TP
			C31	OCH104CK56A 0.1UF 1608 50V 10% R/TP X7R
			C318	OCH3104K566 0.1UF 50V 10% X7R 2012 R/TP
			C32	OCH334CF94A "0.33UF 1608 16V 80%,-20% F(Y"

DATE: 2004. 4. 20.				
*S	*AL	LOC. NO.	PART NO.	DESCRIPTION / SPECIFICATION
		C8	0CK104CK56A	0.1UF 1608 50V 10% R/TP X7R
		C80	0CK106EF56A	10UF 3216 16V 10% X7R R/TP
		C800	0CK105CF94A	"1UF 1608 16V 80%,-20% R/TP F"
		C801	0CK105CF94A	"1UF 1608 16V 80%,-20% R/TP F"
		C802	0CK105CF94A	"1UF 1608 16V 80%,-20% R/TP F"
		C803	0CK105CF94A	"1UF 1608 16V 80%,-20% R/TP F"
		C804	0CH3104K566	0.1UF 50V 10% X7R 2012 R/TP
		C808	0CK105DK94A	"1UF 2012 50V 80%,-20% R/TP F"
		C809	0CK105DK94A	"1UF 2012 50V 80%,-20% R/TP F"
		C81	0CK106EF56A	10UF 3216 16V 10% X7R R/TP
		C810	0CH3104K566	0.1UF 50V 10% X7R 2012 R/TP
		C811	0CH3104K566	0.1UF 50V 10% X7R 2012 R/TP
		C812	0CH3104K566	0.1UF 50V 10% X7R 2012 R/TP
		C813	0CH3104K566	0.1UF 50V 10% X7R 2012 R/TP
		C82	0CH3104K566	0.1UF 50V 10% X7R 2012 R/TP
		C84	0CK106EF56A	10UF 3216 16V 10% X7R R/TP
		C850	0CH3104K566	0.1UF 50V 10% X7R 2012 R/TP
		C851	0CH3104K566	0.1UF 50V 10% X7R 2012 R/TP
		C852	0CH3104K566	0.1UF 50V 10% X7R 2012 R/TP
		C853	0CH3104K566	0.1UF 50V 10% X7R 2012 R/TP
		C854	0CH3104K566	0.1UF 50V 10% X7R 2012 R/TP
		C855	0CH3104K566	0.1UF 50V 10% X7R 2012 R/TP
		C856	0CH3104K566	0.1UF 50V 10% X7R 2012 R/TP
		C864	0CH3104K566	0.1UF 50V 10% X7R 2012 R/TP
		C865	0CH3104K566	0.1UF 50V 10% X7R 2012 R/TP
		C866	0CH3104K566	0.1UF 50V 10% X7R 2012 R/TP
		C867	0CH3104K566	0.1UF 50V 10% X7R 2012 R/TP
		C868	0CH3104K566	0.1UF 50V 10% X7R 2012 R/TP
		C869	0CH3104K566	0.1UF 50V 10% X7R 2012 R/TP
		C870	0CH3104K566	0.1UF 50V 10% X7R 2012 R/TP
		C9	0CK104CK56A	0.1UF 1608 50V 10% R/TP X7R
		C901	0CK103CK51A	0.01UF 1608 50V 10% R/TP B(Y)
		C902	0CK103CK51A	0.01UF 1608 50V 10% R/TP B(Y)
		C903	0CK103CK51A	0.01UF 1608 50V 10% R/TP B(Y)
		C904	0CK103CK51A	0.01UF 1608 50V 10% R/TP B(Y)
		C905	0CK103CK51A	0.01UF 1608 50V 10% R/TP B(Y)
		C906	0CK103CK51A	0.01UF 1608 50V 10% R/TP B(Y)
		C907	0CK103CK51A	0.01UF 1608 50V 10% R/TP B(Y)
		C908	0CH3104K566	0.1UF 50V 10% X7R 2012 R/TP
		C909	0CH3104K566	0.1UF 50V 10% X7R 2012 R/TP
		C910	0CH3104K566	0.1UF 50V 10% X7R 2012 R/TP
		C911	0CH3104K566	0.1UF 50V 10% X7R 2012 R/TP
		C912	0CH3104K566	0.1UF 50V 10% X7R 2012 R/TP
		C913	0CH3104K566	0.1UF 50V 10% X7R 2012 R/TP
		C914	0CH3104K566	0.1UF 50V 10% X7R 2012 R/TP
		C915	0CH3104K566	0.1UF 50V 10% X7R 2012 R/TP
		C916	0CH3104K566	0.1UF 50V 10% X7R 2012 R/TP
		C917	0CH3104K566	0.1UF 50V 10% X7R 2012 R/TP
		C918	0CH3104K566	0.1UF 50V 10% X7R 2012 R/TP
		C919	0CH3104K566	0.1UF 50V 10% X7R 2012 R/TP
		C920	0CH3104K566	0.1UF 50V 10% X7R 2012 R/TP
		C921	0CH3104K566	0.1UF 50V 10% X7R 2012 R/TP
		C922	0CH3104K566	0.1UF 50V 10% X7R 2012 R/TP
		C923	0CH3104K566	0.1UF 50V 10% X7R 2012 R/TP
		C926	0CH3104K566	0.1UF 50V 10% X7R 2012 R/TP
		C927	0CH3104K566	0.1UF 50V 10% X7R 2012 R/TP
		C928	0CH3104K566	0.1UF 50V 10% X7R 2012 R/TP
		C929	0CH3104K566	0.1UF 50V 10% X7R 2012 R/TP
		C930	0CH3104K566	0.1UF 50V 10% X7R 2012 R/TP
		C931	0CH3104K566	0.1UF 50V 10% X7R 2012 R/TP
		C935	0CH3104K566	0.1UF 50V 10% X7R 2012 R/TP
		C936	0CH3104K566	0.1UF 50V 10% X7R 2012 R/TP

DATE: 2004. 4. 20.				
*S	*AL	LOC. NO.	PART NO.	DESCRIPTION / SPECIFICATION
		C938	0CH3104K566	0.1UF 50V 10% X7R 2012 R/TP
		C939	0CH3104K566	0.1UF 50V 10% X7R 2012 R/TP
		C940	0CH3104K566	0.1UF 50V 10% X7R 2012 R/TP
		C941	0CH3104K566	0.1UF 50V 10% X7R 2012 R/TP
		C942	0CH3104K566	0.1UF 50V 10% X7R 2012 R/TP
		C943	0CH3104K566	0.1UF 50V 10% X7R 2012 R/TP
		C944	0CH3104K566	0.1UF 50V 10% X7R 2012 R/TP
		C945	0CH3104K566	0.1UF 50V 10% X7R 2012 R/TP
		C946	0CH3104K566	0.1UF 50V 10% X7R 2012 R/TP
		C947	0CH3104K566	0.1UF 50V 10% X7R 2012 R/TP
		C948	0CH3104K566	0.1UF 50V 10% X7R 2012 R/TP
		C949	0CH3104K566	0.1UF 50V 10% X7R 2012 R/TP
		C950	0CH3104K566	0.1UF 50V 10% X7R 2012 R/TP
		C951	0CH3104K566	0.1UF 50V 10% X7R 2012 R/TP
		C952	0CH3104K566	0.1UF 50V 10% X7R 2012 R/TP
		C958	0CH3104K566	0.1UF 50V 10% X7R 2012 R/TP
		C96	0CH3104K566	0.1UF 50V 10% X7R 2012 R/TP
		C960	0CH3104K566	0.1UF 50V 10% X7R 2012 R/TP
		C963	0CH3104K566	0.1UF 50V 10% X7R 2012 R/TP
		C969	0CH3104K566	0.1UF 50V 10% X7R 2012 R/TP
		C970	0CH3104K566	0.1UF 50V 10% X7R 2012 R/TP
		C973	0CH3104K566	0.1UF 50V 10% X7R 2012 R/TP
		C121	OCC100CK41A	10PF 1608 50V 5% R/TP NP0
		C122	OCC100CK41A	10PF 1608 50V 5% R/TP NP0
		C202	OCC101CK41A	100PF 1608 50V 5% R/TP NP0
		C203	OCC221CK41A	220PF 1608 50V 5% R/TP NP0
		C204	OCC471CK41A	470PF 1608 50V 5% R/TP NP0
		C205	OCC471CK41A	470PF 1608 50V 5% R/TP NP0
		C207	OCC102CK41A	1000PF 1608 50V 5% R/TP NP0
		C209	OCC101CK41A	100PF 1608 50V 5% R/TP NP0
		C21	OCC102CK41A	1000PF 1608 50V 5% R/TP NP0
		C210	OCC101CK41A	100PF 1608 50V 5% R/TP NP0
		C211	OCC102CK41A	1000PF 1608 50V 5% R/TP NP0
		C214	OCC101CK41A	100PF 1608 50V 5% R/TP NP0
		C217	OCC471CK41A	470PF 1608 50V 5% R/TP NP0
		C218	OCC471CK41A	470PF 1608 50V 5% R/TP NP0
		C22	OCC102CK41A	1000PF 1608 50V 5% R/TP NP0
		C220	OCC102CK41A	1000PF 1608 50V 5% R/TP NP0
		C222	OCC102CK41A	1000PF 1608 50V 5% R/TP NP0
		C223	OCC101CK41A	100PF 1608 50V 5% R/TP NP0
		C224	OCC101CK41A	100PF 1608 50V 5% R/TP NP0
		C24	OCC102CK41A	1000PF 1608 50V 5% R/TP NP0
		C343	OCC270CK41A	27PF 1608 50V 5% R/TP NP0
		C345	OCC270CK41A	27PF 1608 50V 5% R/TP NP0
		C348	OCC270CK41A	27PF 1608 50V 5% R/TP NP0
		C350	OCC270CK41A	27PF 1608 50V 5% R/TP NP0
		C351	OCC270CK41A	27PF 1608 50V 5% R/TP NP0
		C352	OCC270DK41A	27PF 2012 50V 5% NP0 R/TP
		C353	OCC270CK41A	27PF 1608 50V 5% R/TP NP0
		C47	OCC220CK41A	22PF 1608 50V 5% R/TP NP0
		C48	OCC220CK41A	22PF 1608 50V 5% R/TP NP0
		C501	OCC101CK41A	100PF 1608 50V 5% R/TP NP0
		C600	OCC220CK41A	22PF 1608 50V 5% R/TP NP0
		C601	OCC220CK41A	22PF 1608 50V 5% R/TP NP0
		C602	OCC220CK41A	22PF 1608 50V 5% R/TP NP0
		C603	OCC220CK41A	22PF 1608 50V 5% R/TP NP0
		C610	OCC102CK41A	1000PF 1608 50V 5% R/TP NP0
		C754	OCC471CK41A	470PF 1608 50V 5% R/TP NP0
		C85	OCC102CK41A	1000PF 1608 50V 5% R/TP NP0
		C100	0CH8476F691	47UF 16V 20% 105STD (CYL) R/
		C1006	0CH8106J691	10UF 35V 20% 105STD (CYL) R/
		C1008	OCE227WF6DC	220UF MVK 16V 20% R/TP(SMD)

DATE: 2004. 4. 20.				
*S	*AL	LOC. NO.	PART NO.	DESCRIPTION / SPECIFICATION
		C111	0CE475EK638	4.7UF KMG 50V 20% FM5 TP 5
		C112	0CE475EK638	4.7UF KMG 50V 20% FM5 TP 5
		C17	0CH8106J691	10UF 35V 20% 105STD (CYL) R/
		C206	0CH8226F691	22UF 16V 20% 105STD (CYL) R/
		C208	0CH8226F691	22UF 16V 20% 105STD (CYL) R/
		C219	0CH8226F691	22UF 16V 20% 105STD (CYL) R/
		C221	0CH8226F691	22UF 16V 20% 105STD (CYL) R/
		C225	0CH8106J691	10UF 35V 20% 105STD (CYL) R/
		C226	0CH8106J691	10UF 35V 20% 105STD (CYL) R/
		C227	0CH8106J691	10UF 35V 20% 105STD (CYL) R/
		C228	0CH8106J691	10UF 35V 20% 105STD (CYL) R/
		C231	0CH8106J691	10UF 35V 20% 105STD (CYL) R/
		C232	0CH8106J691	10UF 35V 20% 105STD (CYL) R/
		C235	0CE107WF6DC	100UF MVK 16V 20% R/TP(SMD)
		C236	0CE107WF6DC	100UF MVK 16V 20% R/TP(SMD)
		C300	0CE107WF6DC	100UF MVK 16V 20% R/TP(SMD)
		C301	0CE107WF6DC	100UF MVK 16V 20% R/TP(SMD)
		C302	0CH8106F691	10UF 16V 20% 105STD (CYL) R/
		C303	0CH8106F691	10UF 16V 20% 105STD (CYL) R/
		C304	0CH8106F691	10UF 16V 20% 105STD (CYL) R/
		C307	0CH8106F691	10UF 16V 20% 105STD (CYL) R/
		C308	0CH8476H691	47UF 25V 20% 105STD (CYL) R/
		C309	0CH8106F691	10UF 16V 20% 105STD (CYL) R/
		C312	0CH8106F691	10UF 16V 20% 105STD (CYL) R/
		C313	0CH8476H691	47UF 25V 20% 105STD (CYL) R/
		C314	0CH8106F691	10UF 16V 20% 105STD (CYL) R/
		C315	0CH8106F691	10UF 16V 20% 105STD (CYL) R/
		C316	0CH8106F691	10UF 16V 20% 105STD (CYL) R/
		C317	0CH8106F691	10UF 16V 20% 105STD (CYL) R/
		C5	0CE475WJ6DC	4.7UF MVK 35V 20% R/TP(SMD)
		C502	0CH8476F691	47UF 16V 20% 105STD (CYL) R/
		C503	0CH8476F691	47UF 16V 20% 105STD (CYL) R/
		C52	0CH8476F691	47UF 16V 20% 105STD (CYL) R/
		C520	0CH8106F691	10UF 16V 20% 105STD (CYL) R/
		C525	0CH8106F691	10UF 16V 20% 105STD (CYL) R/
		C54	0CH8476F691	47UF 16V 20% 105STD (CYL) R/
		C543	0CH8476F691	47UF 16V 20% 105STD (CYL) R/
		C55	0CH8476H691	47UF 25V 20% 105STD (CYL) R/
		C560	0CH8476F691	47UF 16V 20% 105STD (CYL) R/
		C566	0CH8476F691	47UF 16V 20% 105STD (CYL) R/
		C604	0CH8476F691	47UF 16V 20% 105STD (CYL) R/
		C605	0CH8476F691	47UF 16V 20% 105STD (CYL) R/
		C607	0CH8476F691	47UF 16V 20% 105STD (CYL) R/
		C62	0CH8476F691	47UF 16V 20% 105STD (CYL) R/
		C63	0CH8476F691	47UF 16V 20% 105STD (CYL) R/
		C703	0CE107WF6DC	100UF MVK 16V 20% R/TP(SMD)
		C805	0CE227WF6DC	220UF MVK 16V 20% R/TP(SMD)
		C806	0CE227WF6DC	220UF MVK 16V 20% R/TP(SMD)
		C807	0CE227WF6DC	220UF MVK 16V 20% R/TP(SMD)
		C814	0CE227WF6DC	220UF MVK 16V 20% R/TP(SMD)
		C815	0CH8476F691	47UF 16V 20% 105STD (CYL) R/
		C857	0CE227WF6DC	220UF MVK 16V 20% R/TP(SMD)
		C858	0CH8476F691	47UF 16V 20% 105STD (CYL) R/
		C859	0CH8476F691	47UF 16V 20% 105STD (CYL) R/
		C860	0CH8476F691	47UF 16V 20% 105STD (CYL) R/
		C861	0CH8476F691	47UF 16V 20% 105STD (CYL) R/
		C862	0CH8476F691	47UF 16V 20% 105STD (CYL) R/
		C863	0CH8476F691	47UF 16V 20% 105STD (CYL) R/
		C87	0CH8476F691	47UF 16V 20% 105STD (CYL) R/
		C88	0CH8476H691	47UF 25V 20% 105STD (CYL) R/
		C900	0CH8476F691	47UF 16V 20% 105STD (CYL) R/
		C953	0CH8476F691	47UF 16V 20% 105STD (CYL) R/

DATE: 2004. 4. 20.				
*S	*AL	LOC. NO.	PART NO.	DESCRIPTION / SPECIFICATION
			C956	0CH8476H691 47UF 25V 20% 105STD (CYL) R/
			C957	0CH8476F691 47UF 16V 20% 105STD (CYL) R/
			C959	0CH8476F691 47UF 16V 20% 105STD (CYL) R/
			C97	0CH8476H691 47UF 25V 20% 105STD (CYL) R/
			C972	0CH8476H691 47UF 25V 20% 105STD (CYL) R/
			C1500	0CN1040K949 0.1M 50V Z F TA52
			C1501	0CN4710K519 470P 50V K B TA52
			C1600	0CN1040K949 0.1M 50V Z F TA52
			C2006	0CN4710K519 470P 50V K B TA52
			C2007	0CN4710K519 470P 50V K B TA52
DIODES				
			D100	0DRFC00288A SS14 FAIR CHILD R/TP SMA 20-
			D101	0DRFC00288A SS14 FAIR CHILD R/TP SMA 20-
			IC751	0DRSE00018A SRV05-4.TC SEMTECH R/TP SOT2
			IC754	0DRSE00018A SRV05-4.TC SEMTECH R/TP SOT2
			ZD1300	0DR340009AA MBRS340 TP FAIRCHILD NON 40V
			ZD1301	0DR340009AA MBRS340 TP FAIRCHILD NON 40V
			D102	0DS181009AA KDS181 TP KEC SOT-23 80V 3
			D103	0DS181009AA KDS181 TP KEC SOT-23 80V 3
			D107	0DS226009AA KDS226 TP KEC SOT-23 80V 30
			D711	0DD184009AA KDS184 TP KEC - 85V - - - 30
			D104	0DZ620009HB UDZ S 6.2B TP ROHM SOD323 20
			D105	0DZ620009HB UDZ S 6.2B TP ROHM SOD323 20
			D700	0DZRM00178A UDZS TE-17 5.1B ROHM R/TP SM
			D701	0DZRM00178A UDZS TE-17 5.1B ROHM R/TP SM
			D702	0DZRM00178A UDZS TE-17 5.1B ROHM R/TP SM
			D703	0DZRM00178A UDZS TE-17 5.1B ROHM R/TP SM
			D704	0DZRM00178A UDZS TE-17 5.1B ROHM R/TP SM
			D705	0DZRM00178A UDZS TE-17 5.1B ROHM R/TP SM
			D706	0DZRM00178A UDZS TE-17 5.1B ROHM R/TP SM
			ZD10	0DZ910009FE UDZS 9.1B TP ROHM - - 9.1V -
			ZD1000	0DZ330009DF MTZJ33B TP ROHM-K D034 0.5W
			ZD201	0DZRM00178A UDZS TE-17 5.1B ROHM R/TP SM
			ZD202	0DZRM00178A UDZS TE-17 5.1B ROHM R/TP SM
			ZD203	0DZRM00178A UDZS TE-17 5.1B ROHM R/TP SM
			ZD204	0DZRM00178A UDZS TE-17 5.1B ROHM R/TP SM
			ZD205	0DZRM00178A UDZS TE-17 5.1B ROHM R/TP SM
			ZD206	0DZRM00178A UDZS TE-17 5.1B ROHM R/TP SM
			ZD207	0DZRM00178A UDZS TE-17 5.1B ROHM R/TP SM
			ZD208	0DZRM00178A UDZS TE-17 5.1B ROHM R/TP SM
			ZD210	0DZRM00178A UDZS TE-17 5.1B ROHM R/TP SM
			ZD213	0DZRM00178A UDZS TE-17 5.1B ROHM R/TP SM
			ZD214	0DZRM00178A UDZS TE-17 5.1B ROHM R/TP SM
			ZD215	0DZRM00178A UDZS TE-17 5.1B ROHM R/TP SM
			ZD216	0DZRM00178A UDZS TE-17 5.1B ROHM R/TP SM
			ZD217	0DZRM00178A UDZS TE-17 5.1B ROHM R/TP SM
			ZD218	0DZRM00178A UDZS TE-17 5.1B ROHM R/TP SM
			ZD219	0DZRM00178A UDZS TE-17 5.1B ROHM R/TP SM
			ZD220	0DZRM00178A UDZS TE-17 5.1B ROHM R/TP SM
			ZD221	0DZRM00178A UDZS TE-17 5.1B ROHM R/TP SM
			ZD851	0DZRM00178A UDZS TE-17 5.1B ROHM R/TP SM
			ZD852	0DZRM00178A UDZS TE-17 5.1B ROHM R/TP SM
IC				
			IC3	0IKE702700D "KIA7027AF 3, SOT-89 TP RESET"
			C500	0IZZTSA001A "RZ/RT-30"/26"/23"/27" LZ50 F"
			IC200	0ISA722200A LA7222 (1280 AUDIO) - - - -
			IC501	0IMMREB010A "M12L64322A-6T ESMT 86P, TSOP"
			IC749	0IMMRSG036A "M24C02-WMN6T SGS-THOMSON 8P,"

DATE: 2004. 4. 20.				
*S	*AL	LOC. NO.	PART NO.	DESCRIPTION / SPECIFICATION
		IC753	0IMMRSG036A	"M24C02-WMN6T SGS-THOMSON 8P,"
		IC907	0IMCRAL006A	AT24C16AN-10SI-2.7 ATMEL 8P
		IC918	0IMCRAL006A	AT24C16AN-10SI-2.7 ATMEL 8P
		IC100	0IMCRMZ002A	MP7720 MONOLITHIC POWER SYST
		IC101	0IMCRMZ002A	MP7720 MONOLITHIC POWER SYST
		IC1300	0IMCRMZ001A	MP1583DN MONOLITHIC POWER SY
		IC1301	0IMCRMZ001A	MP1583DN MONOLITHIC POWER SY
		IC500	0IMCRGN002C	FLI2300BD GENESIS 208P PQFP
		IC750	0IMCRSG010A	ST3232CDR SGS-THOMSON SOP16
		IC850	0IMCRM1006A	"M52758FP MITSUBISHI 36PIN, R"
		IC702	0IMO140662A	"MC14066BDR2 14P,SOIC TP BILA"
		IC1	0IPRPMN003C	VCT49XYF C7(NTSC+PAL) MICRON
		IC600	0IPRPM3002B	"MST9883C-110 MSTAR 80P,LQFP"
		IC800	0IPRPNP001A	"SM5301BS(ATSC DTV) NPC 28P,H"
		IC901	0IPRPGN014A	GM5221H(HDCP) GENESIS 208P Q
		IC2	0IPMGNS001E	LM1117MPX-3.3 NATIONAL SEMIC
		IC300	0IPMGKE039A	"KIA78D09F KEC 3P,DPAK R/TP 9"
		IC4	0IPMGNS001E	LM1117MPX-3.3 NATIONAL SEMIC
		IC505	0IPMGSG018D	"LD1086DT18TR SGS-THOMSON 3P,"
		IC6	0IPMGSG018D	"LD1086DT18TR SGS-THOMSON 3P,"
		IC601	0IPMGNS001E	LM1117MPX-3.3 NATIONAL SEMIC
		IC604	0IPMGFA061A	"FAN1587AD33X FAIRCHILD 3P,DP"
		IC8	0IMCRFA015A	KA7805R FAIRCHILD 2P D-PAK R
		IC905	0IPMGFA061A	"FAN1587AD33X FAIRCHILD 3P,DP"
		IC906	0IPMGSG018D	"LD1086DT18TR SGS-THOMSON 3P,"
		IC103	0ISS780800J	"KA78M08R 3P,D-PAK TP VOL. RE"
		IC752	0IMCRT1001A	SN74HCT157D TEXAS INSTRUMENT

COIL & CORE & INDUCTOR

		L104	6140TBZ045A	"38.5UH(DIP), 6A, P7.5, DR8.3"
		L105	6140TBZ045A	"38.5UH(DIP), 6A, P7.5, DR8.3"
		L1300	6140VR0008B	SLF12575T-150M3R2 15UH SMD
		L1301	6140VR0008B	SLF12575T-150M3R2 15UH SMD
		L100	6210TCE001G	HH-1M3216-501 CERATEC 3216MM
		L1002	6210TCE001G	HH-1M3216-501 CERATEC 3216MM
		L1003	6210TCE001G	HH-1M3216-501 CERATEC 3216MM
		L202	6210TCE001A	HB-1S2012-080JT CERATEC 2012
		L203	6210TCE001A	HB-1S2012-080JT CERATEC 2012
		L204	6210TCE001A	HB-1S2012-080JT CERATEC 2012
		L205	6210TCE001A	HB-1S2012-080JT CERATEC 2012
		L207	6210TCE001A	HB-1S2012-080JT CERATEC 2012
		L208	6210TCE001A	HB-1S2012-080JT CERATEC 2012
		L209	6210TCE001A	HB-1S2012-080JT CERATEC 2012
		L210	6210TCE001A	HB-1S2012-080JT CERATEC 2012
		L3	6210TCE001G	HH-1M3216-501 CERATEC 3216MM
		L301	6210TCE001A	HB-1S2012-080JT CERATEC 2012
		L302	6210TCE001A	HB-1S2012-080JT CERATEC 2012
		L304	6210TCE001G	HH-1M3216-501 CERATEC 3216MM
		L311	6210TCE001G	HH-1M3216-501 CERATEC 3216MM
		L4	6210TCE001G	HH-1M3216-501 CERATEC 3216MM
		L401	6210TCE001G	HH-1M3216-501 CERATEC 3216MM
		L500	6210TCE001G	HH-1M3216-501 CERATEC 3216MM
		L501	6210TCE001G	HH-1M3216-501 CERATEC 3216MM
		L502	6210TCE001G	HH-1M3216-501 CERATEC 3216MM
		L503	6210TCE001G	HH-1M3216-501 CERATEC 3216MM
		L504	6210TCE001G	HH-1M3216-501 CERATEC 3216MM
		L505	6210TCE001G	HH-1M3216-501 CERATEC 3216MM
		L600	6210TCE001G	HH-1M3216-501 CERATEC 3216MM
		L601	6210TCE001G	HH-1M3216-501 CERATEC 3216MM
		L602	6210TCE001G	HH-1M3216-501 CERATEC 3216MM
		L603	6210TCE001A	HB-1S2012-080JT CERATEC 2012

DATE: 2004. 4. 20.				
*S	*AL	LOC. NO.	PART NO.	DESCRIPTION / SPECIFICATION
		L701	6210TCE001G	HH-1M3216-501 CERATEC 3216MM
		L800	6210TCE001G	HH-1M3216-501 CERATEC 3216MM
		L850	6210TCE001G	HH-1M3216-501 CERATEC 3216MM
		L900	6210TCE001G	HH-1M3216-501 CERATEC 3216MM
		L901	6210TCE001G	HH-1M3216-501 CERATEC 3216MM
		L902	6210TCE001G	HH-1M3216-501 CERATEC 3216MM
		L903	6210TCE001G	HH-1M3216-501 CERATEC 3216MM
		L907	6210TCE001G	HH-1M3216-501 CERATEC 3216MM
		L1500	0LA0102K119	10UH K 2.3*3.4 TP
		L1600	0LA0102K119	10UH K 2.3*3.4 TP
		L1700	0LA0102K119	10UH K 2.3*3.4 TP
		L1	0LC1032101A	10UH 10% 3216 R/TC FI-C3216-
		L10	0LC1032101A	10UH 10% 3216 R/TC FI-C3216-
		L1001	0LC1020101A	1UH 10% 2012 R/TC FI-B2012-1
		L11	0LC1032101A	10UH 10% 3216 R/TC FI-C3216-
		L12	0LC1032101A	10UH 10% 3216 R/TC FI-C3216-
		L13	0LC1032101A	10UH 10% 3216 R/TC FI-C3216-
		L14	0LC1032101A	10UH 10% 3216 R/TC FI-C3216-
		L15	0LC1032101A	10UH 10% 3216 R/TC FI-C3216-
		L16	0LC1032101A	10UH 10% 3216 R/TC FI-C3216-
		L17	0LC1032101A	10UH 10% 3216 R/TC FI-C3216-
		L2	0LC1032101A	10UH 10% 3216 R/TC FI-C3216-
		L200	0LC1020101A	1UH 10% 2012 R/TC FI-B2012-1
		L201	0LC1020101A	1UH 10% 2012 R/TC FI-B2012-1
		L306	0LC1532101A	15UH 10% 3216 R/TC FI-C3216-
		L307	0LC1532101A	15UH 10% 3216 R/TC FI-C3216-
		L308	0LC1532101A	15UH 10% 3216 R/TC FI-C3216-
		L309	0LC1532101A	15UH 10% 3216 R/TC FI-C3216-
		L310	0LC1532101A	15UH 10% 3216 R/TC FI-C3216-
		L402	0LC1532101A	15UH 10% 3216 R/TC FI-C3216-
		L403	0LC1532101A	15UH 10% 3216 R/TC FI-C3216-
		L7	0LC1032101A	10UH 10% 3216 R/TC FI-C3216-
		L8	0LC1032101A	10UH 10% 3216 R/TC FI-C3216-
		L9	0LC1032101A	10UH 10% 3216 R/TC FI-C3216-

FET & TRANSISTOR

		TR1600	0TR127009AA	KTA1270-Y(KTA562TM) TP KEC T
		Q100	0TR387500AA	CHIP 2SC3875S(ALY) BK KEC -
		Q1000	0TR388109AA	KTC3881 CHIP TP KEC - -
		Q101	0TR150400BA	CHIP 2SA1504S(ASY) BK KEC -
		Q1101	0TR387500AA	CHIP 2SC3875S(ALY) BK KEC -
		Q12	0TR150400BA	CHIP 2SA1504S(ASY) BK KEC -
		Q13	0TR150400BA	CHIP 2SA1504S(ASY) BK KEC -
		Q14	0TR150400BA	CHIP 2SA1504S(ASY) BK KEC -
		Q15	0TR387500AA	CHIP 2SC3875S(ALY) BK KEC -
		Q16	0TR387500AA	CHIP 2SC3875S(ALY) BK KEC -
		Q17	0TR387500AA	CHIP 2SC3875S(ALY) BK KEC -
		Q212	0TR387500AA	CHIP 2SC3875S(ALY) BK KEC -
		Q300	0TR387500AA	CHIP 2SC3875S(ALY) BK KEC -
		Q301	0TR387500AA	CHIP 2SC3875S(ALY) BK KEC -
		Q302	0TR387500AA	CHIP 2SC3875S(ALY) BK KEC -
		Q303	0TR387500AA	CHIP 2SC3875S(ALY) BK KEC -
		Q304	0TR387500AA	CHIP 2SC3875S(ALY) BK KEC -
		Q305	0TR150400BA	CHIP 2SA1504S(ASY) BK KEC -
		Q306	0TR150400BA	CHIP 2SA1504S(ASY) BK KEC -
		Q308	0TR387500AA	CHIP 2SC3875S(ALY) BK KEC -
		Q310	0TR387500AA	CHIP 2SC3875S(ALY) BK KEC -
		Q313	0TR387500AA	CHIP 2SC3875S(ALY) BK KEC -
		Q315	0TR387500AA	CHIP 2SC3875S(ALY) BK KEC -
		Q316	0TR387500AA	CHIP 2SC3875S(ALY) BK KEC -
		Q317	0TR387500AA	CHIP 2SC3875S(ALY) BK KEC -

DATE: 2004. 4. 20.				
*S	*AL	LOC. NO.	PART NO.	DESCRIPTION / SPECIFICATION
		Q318	0TR387500AA	CHIP 2SC3875S(ALY) BK KEC -
		Q500	0TR387500AA	CHIP 2SC3875S(ALY) BK KEC -
		Q701	0TR387500AA	CHIP 2SC3875S(ALY) BK KEC -
		Q901	0TR387500AA	CHIP 2SC3875S(ALY) BK KEC -
		IC1101	0TFVI80005A	VISHAY SI4963DY R/TP SO-8 -2
		IC902	0TFVI80005A	VISHAY SI4963DY R/TP SO-8 -2
RESISTORS				
		L303	0RH0000D622	0 1/10W P-TYPE TAPPING
		R10	0RH3301D622	3.3K 1/10W 5 D.R/TP
		R1001	0RH0562D622	56 1/10W 5 D.R/TP
		R1003	0RH8200D622	820 1/10W 5 D.R/TP
		R1004	0RH3000D622	300 1/10W 5 D.R/TP
		R1005	0RH0682D622	68 1/10W 5 D.R/TP
		R1010	0RH7501D622	7.5K 1/10W 5 D.R/TP
		R1011	0RH0000D622	0 1/10W P-TYPE TAPPING
		R1012	0RH7502D622	75K 1/10W 5 D.R/TP
		R1013	0RH0000D622	0 1/10W P-TYPE TAPPING
		R1014	0RH1000D622	100 1/10W 5 D.R/TP
		R1015	0RH0000D622	0 1/10W P-TYPE TAPPING
		R1026	0RH0000D622	0 1/10W P-TYPE TAPPING
		R104	0RH1000D622	100 1/10W 5 D.R/TP
		R106	0RH1500D622	150 1/10W 5 D.R/TP
		R107	0RH1503D622	150K 1/10W 5 D.R/TP
		R11	0RH3301D622	3.3K 1/10W 5 D.R/TP
		R1100	0RH1000D622	100 1/10W 5 D.R/TP
		R1102	0RH1000D622	100 1/10W 5 D.R/TP
		R1106	0RH1202D622	12K 1/10W 5 D.R/TP
		R1107	0RH1502D622	15K 1/10W 5 D.R/TP
		R1112	0RH0000D622	0 1/10W P-TYPE TAPPING
		R118	0RH1000D622	100 1/10W 5 D.R/TP
		R126	0RH1502D622	15K 1/10W 5 D.R/TP
		R132	0RH1003D622	100K 1/10W 5 D.R/TP
		R133	0RH1003D622	100K 1/10W 5 D.R/TP
		R134	0RH1003D622	100K 1/10W 5 D.R/TP
		R135	0RH1003D622	100K 1/10W 5 D.R/TP
		R1350	0RH0000D622	0 1/10W P-TYPE TAPPING
		R140	0RH0392D622	39 1/10W 5 D.R/TP
		R141	0RH0392D622	39 1/10W 5 D.R/TP
		R142	0RH0392D622	39 1/10W 5 D.R/TP
		R143	0RH0392D622	39 1/10W 5 D.R/TP
		R144	0RH0392D622	39 1/10W 5 D.R/TP
		R145	0RH0392D622	39 1/10W 5 D.R/TP
		R146	0RH0392D622	39 1/10W 5 D.R/TP
		R147	0RH0392D622	39 1/10W 5 D.R/TP
		R154	0RH0822D622	82 1/10W 5 D.R/TP
		R156	0RH0822D622	82 1/10W 5 D.R/TP
		R158	0RH0822D622	82 1/10W 5 D.R/TP
		R162	0RH2701D622	2.7K 1/10W 5 D.R/TP
		R201	0RH4703D622	470K 1/10W 5 D.R/TP
		R202	0RH3901D622	3.9K 1/10W 5 D.R/TP
		R203	0RH3901D622	3.9K 1/10W 5 D.R/TP
		R204	0RH4703D622	470K 1/10W 5 D.R/TP
		R22	0RH0000D622	0 1/10W P-TYPE TAPPING
		R24	0RH1000D622	100 1/10W 5 D.R/TP
		R25	0RH1000D622	100 1/10W 5 D.R/TP
		R266	0RH4701D622	4.7K 1/10W 5 D.R/TP
		R267	0RH4702D622	47K 1/10W 5 D.R/TP
		R268	0RH4701D622	4.7K 1/10W 5 D.R/TP
		R271	0RH0000D622	0 1/10W P-TYPE TAPPING
		R273	0RH0000D622	0 1/10W P-TYPE TAPPING

DATE: 2004. 4. 20.				
*S	*AL	LOC. NO.	PART NO.	DESCRIPTION / SPECIFICATION
		R312	0RH4700D622	470 1/10W 5 D.R/TP
		R313	0RH1500D622	150 1/10W 5 D.R/TP
		R314	0RH4700D622	470 1/10W 5 D.R/TP
		R315	0RH1500D622	150 1/10W 5 D.R/TP
		R322	0RH1500D622	150 1/10W 5 D.R/TP
		R394	0RH6800D622	680 OHM 1 / 10 W 5% D R/TP
		R395	0RH6800D622	680 OHM 1 / 10 W 5% D R/TP
		R44	0RH1000D622	100 1/10W 5 D.R/TP
		R45	0RH1000D622	100 1/10W 5 D.R/TP
		R502	0RH3301D622	3.3K 1/10W 5 D.R/TP
		R505	0RH0000D622	0 1/10W P-TYPE TAPPING
		R506	0RH0000D622	0 1/10W P-TYPE TAPPING
		R520	0RH1800D622	180 1/10W 5 D.R/TP
		R527	0RH4701D622	4.7K 1/10W 5 D.R/TP
		R530	0RH0000D622	0 1/10W P-TYPE TAPPING
		R607	0RH1000D622	100 1/10W 5 D.R/TP
		R610	0RH2701D622	2.7K 1/10W 5 D.R/TP
		R700	0RH0000D622	0 1/10W P-TYPE TAPPING
		R703	0RH4701D622	4.7K 1/10W 5 D.R/TP
		R705	0RH4701D622	4.7K 1/10W 5 D.R/TP
		R712	0RH0752D622	75 1/10W 5 D.R/TP
		R713	0RH0752D622	75 1/10W 5 D.R/TP
		R715	0RH1202D622	12K 1/10W 5 D.R/TP
		R716	0RH0752D622	75 1/10W 5 D.R/TP
		R719	0RH1502D622	15K 1/10W 5 D.R/TP
		R725	0RH1000D622	100 1/10W 5 D.R/TP
		R726	0RH0000D622	0 1/10W P-TYPE TAPPING
		R729	0RH1000D622	100 1/10W 5 D.R/TP
		R730	0RH1000D622	100 1/10W 5 D.R/TP
		R737	0RH4701D622	4.7K 1/10W 5 D.R/TP
		R738	0RH4701D622	4.7K 1/10W 5 D.R/TP
		R752	0RH0000D622	0 1/10W P-TYPE TAPPING
		R753	0RH0000D622	0 1/10W P-TYPE TAPPING
		R755	0RH0102D622	10 1/10W 5 D.R/TP
		R756	0RH0102D622	10 1/10W 5 D.R/TP
		R760	0RH0000D622	0 1/10W P-TYPE TAPPING
		R761	0RH0000D622	0 1/10W P-TYPE TAPPING
		R802	0RH8200D622	820 1/10W 5 D.R/TP
		R803	0RH0000D622	0 1/10W P-TYPE TAPPING
		R805	0RH0752D622	75 1/10W 5 D.R/TP
		R806	0RH4700D622	470 1/10W 5 D.R/TP
		R809	0RH0102D622	10 1/10W 5 D.R/TP
		R83	0RH1000D622	100 1/10W 5 D.R/TP
		R85	0RH1000D622	100 1/10W 5 D.R/TP
		R850	0RH4701D622	4.7K 1/10W 5 D.R/TP
		R851	0RH4701D622	4.7K 1/10W 5 D.R/TP
		R854	0RH0000D622	0 1/10W P-TYPE TAPPING
		R87	0RH1000D622	100 1/10W 5 D.R/TP
		R89	0RH1000D622	100 1/10W 5 D.R/TP
		R930	0RH3301D622	3.3K 1/10W 5 D.R/TP
		R931	0RH3301D622	3.3K 1/10W 5 D.R/TP
		R941	0RH1000D622	100 1/10W 5 D.R/TP
		R960	0RH1000D622	100 1/10W 5 D.R/TP
		R964	0RH0000D622	0 1/10W P-TYPE TAPPING
		R969	0RH1202D622	12K 1/10W 5 D.R/TP
		R971	0RH1502D622	15K 1/10W 5 D.R/TP
		R978	0RH0000D622	0 1/10W P-TYPE TAPPING
		R979	0RH0000D622	0 1/10W P-TYPE TAPPING
		R980	0RH0000D622	0 1/10W P-TYPE TAPPING
		R999	0RH0000D622	0 1/10W P-TYPE TAPPING
		RA600	0RRZVTA001A	MNR-14-E0A-J-101 R OHM 100
		RA601	0RRZVTA001A	MNR-14-E0A-J-101 R OHM 100

DATE: 2004. 4. 20.			
*S	*AL	LOC. NO.	PART NO. DESCRIPTION / SPECIFICATION
		RA602	0RRZVTA001A MNR-14-E0A-J-101 R OHM 100
		RA603	0RRZVTA001A MNR-14-E0A-J-101 R OHM 100
		RA604	0RRZVTA001A MNR-14-E0A-J-101 R OHM 100
		RA605	0RRZVTA001A MNR-14-E0A-J-101 R OHM 100
		R1600	0RD3301Q609 3.30K 1/4W(3 5% TA52
		R1601	0RD2200Q609 220 1/4W(3 5% TA52
		R1602	0RD1000Q609 100 1/4W(3 5% TA52
		R1603	0RD1201Q609 1.20K 1/4W(3 5% TA52
		R2001	0RD0752Q609 75 1/4W(3 5% TA52
		R2002	0RD0752Q609 75 1/4W(3 5% TA52
		R2003	0RD0752Q609 75 1/4W(3 5% TA52
		R2004	0RD0752Q609 75 1/4W(3 5% TA52
		R2005	0RD0752Q609 75 1/4W(3 5% TA52
		R2006	0RD4703Q609 470K 1/4W(3 5% TA52
		R2007	0RD4703Q609 470K 1/4W(3 5% TA52
		R1700	0RN8200F409 820 1/6W 1% TA52
		R1701	0RN6200F409 620 1/6W 1% TA52
		R1702	0RN5100F409 510 1/6W 1 TA52
		R1703	0RN4300F409 430 OHM 1/6 W 1.00% TA52
		R1704	0RN3300F409 330 1/6W 1% TA52
		R1705	0RN2700F409 270 1/6W 1% TA52
		R1706	0RN2701F409 2.7K OHM 1/6 W 1.00% TA52
		R100	0RJ1000D677 100 OHM 1/10 W 5% 1608 R/TP
		R1002	0RH1501D622 1.5K OHM 1 / 10 W 2012 5.00%
		R101	0RJ1000D677 100 OHM 1/10 W 5% 1608 R/TP
		R102	0RJ1000D677 100 OHM 1/10 W 5% 1608 R/TP
		R103	0RJ1000D677 100 OHM 1/10 W 5% 1608 R/TP
		R105	0RJ1000D677 100 OHM 1/10 W 5% 1608 R/TP
		R108	0RJ1000D677 100 OHM 1/10 W 5% 1608 R/TP
		R109	0RJ1000D677 100 OHM 1/10 W 5% 1608 R/TP
		R110	0RJ1000D677 100 OHM 1/10 W 5% 1608 R/TP
		R1105	0RH1001D622 1K OHM 1 / 10 W 2012 5.00% D
		R111	0RJ1000D677 100 OHM 1/10 W 5% 1608 R/TP
		R1110	0RJ0000D677 0 OHM 1/10 W 5% 1608 R/TP
		R112	0RJ1000D677 100 OHM 1/10 W 5% 1608 R/TP
		R113	0RJ1000D677 100 OHM 1/10 W 5% 1608 R/TP
		R114	0RJ1000D677 100 OHM 1/10 W 5% 1608 R/TP
		R115	0RJ1000D677 100 OHM 1/10 W 5% 1608 R/TP
		R116	0RJ1000D677 100 OHM 1/10 W 5% 1608 R/TP
		R117	0RJ1000D677 100 OHM 1/10 W 5% 1608 R/TP
		R120	0RJ1000D677 100 OHM 1/10 W 5% 1608 R/TP
		R121	0RJ0000D677 0 OHM 1/10 W 5% 1608 R/TP
		R122	0RJ1000D677 100 OHM 1/10 W 5% 1608 R/TP
		R123	0RJ2202D677 22K OHM 1/10 W 5% 1608 R/TP
		R124	0RJ1500D677 150 OHM 1/10 W 5% 1608 R/TP
		R125	0RJ4701D677 4.7K OHM 1/10 W 5% 1608 R/TP
		R127	0RJ3301D677 3.3K OHM 1/10 W 5% 1608 R/TP
		R128	0RH1002D622 10K OHM 1 / 10 W 2012 5.00%
		R129	0RH1002D622 10K OHM 1 / 10 W 2012 5.00%
		R130	0RJ5601D477 5.6K OHM 1/10 W 1% 1608 R/TP
		R1300	0RJ6801D477 6.8K OHM 1/10 W 1% 1608 R/TP
		R1301	0RH1002D622 10K OHM 1 / 10 W 2012 5.00%
		R1302	0RJ2202D477 22K OHM 1/10 W 1% 1608 R/TP
		R1303	0RJ6801D477 6.8K OHM 1/10 W 1% 1608 R/TP
		R1304	0RH1002D622 10K OHM 1 / 10 W 2012 5.00%
		R1305	0RJ2202D477 22K OHM 1/10 W 1% 1608 R/TP
		R131	0RJ5601D477 5.6K OHM 1/10 W 1% 1608 R/TP
		R136	0RJ8202D677 82K OHM 1/10 W 5% 1608 R/TP
		R137	0RJ8202D677 82K OHM 1/10 W 5% 1608 R/TP
		R138	0RJ1002D677 10K OHM 1/10 W 5% 1608 R/TP
		R139	0RJ1002D677 10K OHM 1/10 W 5% 1608 R/TP
		R15	0RJ4700D677 470 OHM 1/10 W 5% 1608 R/TP

DATE: 2004. 4. 20.			
*S	*AL	LOC. NO.	PART NO. DESCRIPTION / SPECIFICATION
		R152	0RJ0000D677 0 OHM 1/10 W 5% 1608 R/TP
		R153	0RJ0000D677 0 OHM 1/10 W 5% 1608 R/TP
		R155	0RJ2700D677 270 OHM 1/10 W 5% 1608 R/TP
		R157	0RJ2700D677 270 OHM 1/10 W 5% 1608 R/TP
		R159	0RJ2700D677 270 OHM 1/10 W 5% 1608 R/TP
		R16	0RJ1002D677 10K OHM 1/10 W 5% 1608 R/TP
		R160	0RJ1500D677 150 OHM 1/10 W 5% 1608 R/TP
		R161	0RJ0222D677 22 OHM 1/10 W 5% 1608 R/TP
		R163	0RJ1500D677 150 OHM 1/10 W 5% 1608 R/TP
		R164	0RJ1500D677 150 OHM 1/10 W 5% 1608 R/TP
		R17	0RJ2202D677 22K OHM 1/10 W 5% 1608 R/TP
		R173	0RJ3301D677 3.3K OHM 1/10 W 5% 1608 R/TP
		R175	0RJ3301D677 3.3K OHM 1/10 W 5% 1608 R/TP
		R18	0RJ0000D677 0 OHM 1/10 W 5% 1608 R/TP
		R205	0RJ0682D677 68 OHM 1/10 W 5% 1608 R/TP
		R207	0RJ0752D677 75 OHM 1/10 W 5% 1608 R/TP
		R209	0RJ0222D677 22 OHM 1/10 W 5% 1608 R/TP
		R210	0RJ3902D677 39K OHM 1/10 W 5% 1608 R/TP
		R211	0RJ5102D677 51K OHM 1/10 W 5% 1608 R/TP
		R213	0RJ1001D677 1K OHM 1/10 W 5% 1608 R/TP
		R214	0RJ1001D677 1K OHM 1/10 W 5% 1608 R/TP
		R218	0RJ1001D677 1K OHM 1/10 W 5% 1608 R/TP
		R220	0RJ1001D677 1K OHM 1/10 W 5% 1608 R/TP
		R237	0RJ0682D677 68 OHM 1/10 W 5% 1608 R/TP
		R238	0RJ0222D677 22 OHM 1/10 W 5% 1608 R/TP
		R239	0RJ0752D677 75 OHM 1/10 W 5% 1608 R/TP
		R240	0RJ0222D677 22 OHM 1/10 W 5% 1608 R/TP
		R241	0RJ0752D677 75 OHM 1/10 W 5% 1608 R/TP
		R244	0RJ0000D677 0 OHM 1/10 W 5% 1608 R/TP
		R245	0RJ0752D677 75 OHM 1/10 W 5% 1608 R/TP
		R246	0RJ0000D677 0 OHM 1/10 W 5% 1608 R/TP
		R247	0RJ0752D677 75 OHM 1/10 W 5% 1608 R/TP
		R248	0RJ0000D677 0 OHM 1/10 W 5% 1608 R/TP
		R249	0RJ0752D677 75 OHM 1/10 W 5% 1608 R/TP
		R250	0RJ3902D677 39K OHM 1/10 W 5% 1608 R/TP
		R251	0RJ5102D677 51K OHM 1/10 W 5% 1608 R/TP
		R253	0RJ1001D677 1K OHM 1/10 W 5% 1608 R/TP
		R254	0RJ1001D677 1K OHM 1/10 W 5% 1608 R/TP
		R256	0RJ1001D677 1K OHM 1/10 W 5% 1608 R/TP
		R257	0RJ1001D677 1K OHM 1/10 W 5% 1608 R/TP
		R264	0RH1001D622 1K OHM 1 / 10 W 2012 5.00% D
		R265	0RH1001D622 1K OHM 1 / 10 W 2012 5.00% D
		R300	0RH1002D622 10K OHM 1 / 10 W 2012 5.00%
		R301	0RH1002D622 10K OHM 1 / 10 W 2012 5.00%
		R302	0RH1002D622 10K OHM 1 / 10 W 2012 5.00%
		R303	0RJ1002D677 10K OHM 1/10 W 5% 1608 R/TP
		R304	0RH1002D622 10K OHM 1 / 10 W 2012 5.00%
		R305	0RH1002D622 10K OHM 1 / 10 W 2012 5.00%
		R306	0RH1002D622 10K OHM 1 / 10 W 2012 5.00%
		R307	0RH1002D622 10K OHM 1 / 10 W 2012 5.00%
		R308	0RH1002D622 10K OHM 1 / 10 W 2012 5.00%
		R309	0RH1002D622 10K OHM 1 / 10 W 2012 5.00%
		R317	0RJ2700D677 270 OHM 1/10 W 5% 1608 R/TP
		R319	0RJ2700D677 270 OHM 1/10 W 5% 1608 R/TP
		R321	0RJ2700D677 270 OHM 1/10 W 5% 1608 R/TP
		R323	0RJ1500D677 150 OHM 1/10 W 5% 1608 R/TP
		R326	0RJ0000D677 0 OHM 1/10 W 5% 1608 R/TP
		R329	0RJ0000D677 0 OHM 1/10 W 5% 1608 R/TP
		R338	0RH1002D622 10K OHM 1 / 10 W 2012 5.00%
		R339	0RH1002D622 10K OHM 1 / 10 W 2012 5.00%
		R34	0RJ0000D677 0 OHM 1/10 W 5% 1608 R/TP
		R342	0RH1002D622 10K OHM 1 / 10 W 2012 5.00%

DATE: 2004. 4. 20.				
*S	*AL	LOC. NO.	PART NO.	DESCRIPTION / SPECIFICATION
		R343	0RH1002D622	10K OHM 1 / 10 W 2012 5.00%
		R348	0RH1002D622	10K OHM 1 / 10 W 2012 5.00%
		R349	0RH1002D622	10K OHM 1 / 10 W 2012 5.00%
		R35	0RJ0000D677	0 OHM 1/10 W 5% 1608 R/TP
		R352	0RH1002D622	10K OHM 1 / 10 W 2012 5.00%
		R353	0RH1002D622	10K OHM 1 / 10 W 2012 5.00%
		R354	0RH1002D622	10K OHM 1 / 10 W 2012 5.00%
		R355	0RH1002D622	10K OHM 1 / 10 W 2012 5.00%
		R356	0RJ1002D677	10K OHM 1/10 W 5% 1608 R/TP
		R357	0RJ1002D677	10K OHM 1/10 W 5% 1608 R/TP
		R358	0RJ1002D677	10K OHM 1/10 W 5% 1608 R/TP
		R359	0RJ1002D677	10K OHM 1/10 W 5% 1608 R/TP
		R363	0RH1001D622	1K OHM 1 / 10 W 2012 5.00% D
		R367	0RH1001D622	1K OHM 1 / 10 W 2012 5.00% D
		R373	0RH1001D622	1K OHM 1 / 10 W 2012 5.00% D
		R377	0RH1001D622	1K OHM 1 / 10 W 2012 5.00% D
		R379	0RH1001D622	1K OHM 1 / 10 W 2012 5.00% D
		R381	0RH1001D622	1K OHM 1 / 10 W 2012 5.00% D
		R383	0RH1001D622	1K OHM 1 / 10 W 2012 5.00% D
		R385	0RJ6800D677	680 OHM 1/10 W 5% 1608 R/TP
		R387	0RJ6800D677	680 OHM 1/10 W 5% 1608 R/TP
		R390	0RJ6800D677	680 OHM 1/10 W 5% 1608 R/TP
		R392	0RJ6800D677	680 OHM 1/10 W 5% 1608 R/TP
		R393	0RJ6800D677	680 OHM 1/10 W 5% 1608 R/TP
		R444	0RJ0000D677	0 OHM 1/10 W 5% 1608 R/TP
		R447	0RJ0000D677	0 OHM 1/10 W 5% 1608 R/TP
		R448	0RJ0000D677	0 OHM 1/10 W 5% 1608 R/TP
		R46	0RH1001D622	1K OHM 1 / 10 W 2012 5.00% D
		R47	0RJ0000D677	0 OHM 1/10 W 5% 1608 R/TP
		R48	0RJ1000D677	100 OHM 1/10 W 5% 1608 R/TP
		R50	0RJ1000D677	100 OHM 1/10 W 5% 1608 R/TP
		R500	0RJ1002D677	10K OHM 1/10 W 5% 1608 R/TP
		R501	0RJ1002D677	10K OHM 1/10 W 5% 1608 R/TP
		R504	0RJ1001D677	1K OHM 1/10 W 5% 1608 R/TP
		R51	0RJ1000D677	100 OHM 1/10 W 5% 1608 R/TP
		R514	0RJ0000D677	0 OHM 1/10 W 5% 1608 R/TP
		R515	0RJ4703D677	470K OHM 1/10 W 5% 1608 R/TP
		R516	0RH0222D622	22 OHM 1 / 10 W 2012 5.00% D
		R517	0RH0222D622	22 OHM 1 / 10 W 2012 5.00% D
		R518	0RJ0000D677	0 OHM 1/10 W 5% 1608 R/TP
		R519	0RH0222D622	22 OHM 1 / 10 W 2012 5.00% D
		R52	0RJ1000D677	100 OHM 1/10 W 5% 1608 R/TP
		R521	0RJ0222D677	22 OHM 1/10 W 5% 1608 R/TP
		R522	0RJ0332D677	33 OHM 1/10 W 5% 1608 R/TP
		R523	0RJ0222D677	22 OHM 1/10 W 5% 1608 R/TP
		R524	0RJ0332D677	33 OHM 1/10 W 5% 1608 R/TP
		R525	0RJ0222D677	22 OHM 1/10 W 5% 1608 R/TP
		R526	0RJ0332D677	33 OHM 1/10 W 5% 1608 R/TP
		R528	0RJ0222D677	22 OHM 1/10 W 5% 1608 R/TP
		R529	0RJ0000D677	0 OHM 1/10 W 5% 1608 R/TP
		R53	0RJ1000D677	100 OHM 1/10 W 5% 1608 R/TP
		R532	0RH0222D622	22 OHM 1 / 10 W 2012 5.00% D
		R533	0RJ0222D677	22 OHM 1/10 W 5% 1608 R/TP
		R534	0RJ0222D677	22 OHM 1/10 W 5% 1608 R/TP
		R54	0RJ1000D677	100 OHM 1/10 W 5% 1608 R/TP
		R55	0RJ1000D677	100 OHM 1/10 W 5% 1608 R/TP
		R56	0RJ1000D677	100 OHM 1/10 W 5% 1608 R/TP
		R57	0RJ1000D677	100 OHM 1/10 W 5% 1608 R/TP
		R58	0RJ1000D677	100 OHM 1/10 W 5% 1608 R/TP
		R59	0RJ1211D477	1.21K OHM 1/10 W 1% 1608 R/T
		R60	0RJ1000D677	100 OHM 1/10 W 5% 1608 R/TP
		R600	0RJ1000D677	100 OHM 1/10 W 5% 1608 R/TP

DATE: 2004. 4. 20.				
*S	*AL	LOC. NO.	PART NO.	DESCRIPTION / SPECIFICATION
		R601	0RJ1000D677	100 OHM 1/10 W 5% 1608 R/TP
		R602	0RJ1000D677	100 OHM 1/10 W 5% 1608 R/TP
		R603	0RJ1000D677	100 OHM 1/10 W 5% 1608 R/TP
		R604	0RJ0000D677	0 OHM 1/10 W 5% 1608 R/TP
		R606	0RJ1000D677	100 OHM 1/10 W 5% 1608 R/TP
		R608	0RJ1000D677	100 OHM 1/10 W 5% 1608 R/TP
		R609	0RJ1000D677	100 OHM 1/10 W 5% 1608 R/TP
		R62	0RJ1000D677	100 OHM 1/10 W 5% 1608 R/TP
		R64	0RJ1000D677	100 OHM 1/10 W 5% 1608 R/TP
		R66	0RJ1000D677	100 OHM 1/10 W 5% 1608 R/TP
		R68	0RJ1000D677	100 OHM 1/10 W 5% 1608 R/TP
		R70	0RJ1000D677	100 OHM 1/10 W 5% 1608 R/TP
		R701	0RJ1001D677	1K OHM 1/10 W 5% 1608 R/TP
		R702	0RJ1001D677	1K OHM 1/10 W 5% 1608 R/TP
		R706	0RJ0000D677	0 OHM 1/10 W 5% 1608 R/TP
		R71	0RJ1000D677	100 OHM 1/10 W 5% 1608 R/TP
		R711	0RJ0222D677	22 OHM 1/10 W 5% 1608 R/TP
		R717	0RJ1000D677	100 OHM 1/10 W 5% 1608 R/TP
		R718	0RJ1000D677	100 OHM 1/10 W 5% 1608 R/TP
		R72	0RJ1000D677	100 OHM 1/10 W 5% 1608 R/TP
		R720	0RJ0222D677	22 OHM 1/10 W 5% 1608 R/TP
		R721	0RJ0222D677	22 OHM 1/10 W 5% 1608 R/TP
		R722	0RJ0222D677	22 OHM 1/10 W 5% 1608 R/TP
		R727	0RJ1000D677	100 OHM 1/10 W 5% 1608 R/TP
		R728	0RJ0000D677	0 OHM 1/10 W 5% 1608 R/TP
		R73	0RJ1000D677	100 OHM 1/10 W 5% 1608 R/TP
		R731	0RJ4701D677	4.7K OHM 1/10 W 5% 1608 R/TP
		R732	0RH1001D622	1K OHM 1 / 10 W 2012 5.00% D
		R739	0RJ0222D677	22 OHM 1/10 W 5% 1608 R/TP
		R740	0RJ0222D677	22 OHM 1/10 W 5% 1608 R/TP
		R751	0RJ0000D677	0 OHM 1/10 W 5% 1608 R/TP
		R754	0RJ0000D677	0 OHM 1/10 W 5% 1608 R/TP
		R757	0RJ0000D677	0 OHM 1/10 W 5% 1608 R/TP
		R758	0RJ0000D677	0 OHM 1/10 W 5% 1608 R/TP
		R759	0RJ0000D677	0 OHM 1/10 W 5% 1608 R/TP
		R79	0RJ1000D677	100 OHM 1/10 W 5% 1608 R/TP
		R800	0RJ0752D677	75 OHM 1/10 W 5% 1608 R/TP
		R801	0RJ0752D677	75 OHM 1/10 W 5% 1608 R/TP
		R807	0RJ0102D677	10 OHM 1/10 W 5% 1608 R/TP
		R808	0RJ0102D677	10 OHM 1/10 W 5% 1608 R/TP
		R81	0RJ1000D677	100 OHM 1/10 W 5% 1608 R/TP
		R852	0RJ4701D677	4.7K OHM 1/10 W 5% 1608 R/TP
		R853	0RJ4701D677	4.7K OHM 1/10 W 5% 1608 R/TP
		R855	0RJ1000D677	100 OHM 1/10 W 5% 1608 R/TP
		R856	0RJ1000D677	100 OHM 1/10 W 5% 1608 R/TP
		R86	0RJ1000D677	100 OHM 1/10 W 5% 1608 R/TP
		R88	0RJ1000D677	100 OHM 1/10 W 5% 1608 R/TP
		R90	0RJ1000D677	100 OHM 1/10 W 5% 1608 R/TP
		R901	0RJ0472D677	47 OHM 1/10 W 5% 1608 R/TP
		R902	0RJ0472D677	47 OHM 1/10 W 5% 1608 R/TP
		R904	0RJ0472D677	47 OHM 1/10 W 5% 1608 R/TP
		R906	0RJ0472D677	47 OHM 1/10 W 5% 1608 R/TP
		R908	0RJ0822D677	82 OHM 1/10 W 5% 1608 R/TP
		R909	0RJ0822D677	82 OHM 1/10 W 5% 1608 R/TP
		R910	0RJ0822D677	82 OHM 1/10 W 5% 1608 R/TP
		R913	0RJ1000D677	100 OHM 1/10 W 5% 1608 R/TP
		R914	0RJ1000D677	100 OHM 1/10 W 5% 1608 R/TP
		R915	0RJ1000D677	100 OHM 1/10 W 5% 1608 R/TP
		R916	0RJ1000D677	100 OHM 1/10 W 5% 1608 R/TP
		R917	0RJ1000D677	100 OHM 1/10 W 5% 1608 R/TP
		R918	0RJ1000D677	100 OHM 1/10 W 5% 1608 R/TP
		R919	0RJ1000D677	100 OHM 1/10 W 5% 1608 R/TP

DATE: 2004. 4. 20.				
*S	*AL	LOC. NO.	PART NO.	DESCRIPTION / SPECIFICATION
		R92	0RJ1000D677	100 OHM 1/10 W 5% 1608 R/TP
		R920	0RJ4990D477	499 OHM 1/10 W 1% 1608 R/TP
		R921	0RJ4990D477	499 OHM 1/10 W 1% 1608 R/TP
		R923	0RJ0222D677	22 OHM 1/10 W 5% 1608 R/TP
		R924	0RJ0222D677	22 OHM 1/10 W 5% 1608 R/TP
		R925	0RJ0222D677	22 OHM 1/10 W 5% 1608 R/TP
		R926	0RJ0222D677	22 OHM 1/10 W 5% 1608 R/TP
		R927	0RJ1000D677	100 OHM 1/10 W 5% 1608 R/TP
		R928	0RJ1000D677	100 OHM 1/10 W 5% 1608 R/TP
		R929	0RJ1000D677	100 OHM 1/10 W 5% 1608 R/TP
		R93	0RJ1000D677	100 OHM 1/10 W 5% 1608 R/TP
		R933	0RJ1000D677	100 OHM 1/10 W 5% 1608 R/TP
		R934	0RJ1000D677	100 OHM 1/10 W 5% 1608 R/TP
		R935	0RJ1000D677	100 OHM 1/10 W 5% 1608 R/TP
		R936	0RJ1000D677	100 OHM 1/10 W 5% 1608 R/TP
		R937	0RJ1000D677	100 OHM 1/10 W 5% 1608 R/TP
		R938	0RJ1000D677	100 OHM 1/10 W 5% 1608 R/TP
		R939	0RJ1000D677	100 OHM 1/10 W 5% 1608 R/TP
		R94	0RJ1000D677	100 OHM 1/10 W 5% 1608 R/TP
		R940	0RJ1000D677	100 OHM 1/10 W 5% 1608 R/TP
		R942	0RJ1000D677	100 OHM 1/10 W 5% 1608 R/TP
		R943	0RJ1000D677	100 OHM 1/10 W 5% 1608 R/TP
		R944	0RJ1000D677	100 OHM 1/10 W 5% 1608 R/TP
		R945	0RJ1000D677	100 OHM 1/10 W 5% 1608 R/TP
		R946	0RJ1000D677	100 OHM 1/10 W 5% 1608 R/TP
		R947	0RJ1000D677	100 OHM 1/10 W 5% 1608 R/TP
		R948	0RJ1000D677	100 OHM 1/10 W 5% 1608 R/TP
		R949	0RJ1000D677	100 OHM 1/10 W 5% 1608 R/TP
		R95	0RJ1000D677	100 OHM 1/10 W 5% 1608 R/TP
		R950	0RJ1000D677	100 OHM 1/10 W 5% 1608 R/TP
		R952	0RJ1002D677	10K OHM 1/10 W 5% 1608 R/TP
		R953	0RJ1002D677	10K OHM 1/10 W 5% 1608 R/TP
		R96	0RJ1000D677	100 OHM 1/10 W 5% 1608 R/TP
		R963	0RH1002D622	10K OHM 1 / 10 W 2012 5.00%
		R965	0RJ0222D677	22 OHM 1/10 W 5% 1608 R/TP
		R966	0RJ0222D677	22 OHM 1/10 W 5% 1608 R/TP
		R967	0RJ0222D677	22 OHM 1/10 W 5% 1608 R/TP
		R968	0RJ0222D677	22 OHM 1/10 W 5% 1608 R/TP
		R970	0RJ1001D677	1K OHM 1/10 W 5% 1608 R/TP
		R972	0RJ1000D677	100 OHM 1/10 W 5% 1608 R/TP
		R975	0RJ1000D677	100 OHM 1/10 W 5% 1608 R/TP
		R98	0RJ1000D677	100 OHM 1/10 W 5% 1608 R/TP
		R99	0RJ1000D677	100 OHM 1/10 W 5% 1608 R/TP
CONNECTOR				
		P101	6602T20008E	SMW200-06 YEONHO 6P 2.0MM LO
		P103	366-932C	IL-G-04P LGC 2.5MM S/T STICK
		P104	366-932B	IL-G-03P LGC 2.5MM S/T STICK
		P2000	6602T20008N	SMW200-14 YEONHO 14P 2.0MM L
		P202	6602T20008N	SMW200-14 YEONHO 14P 2.0MM L
		P901	6630VF00520	12507WR SERIES YEONHO 20P 1.
		P999	6602V12001C	1.25MM 4P 53261-0490 J-MOLEX
		P1100	6631T25019K	12P-12P H-H 180MM UL1007AWG2
		P750	6631T20033F	10P-10P H-H 220MM UL1061AWG2
FILTER & CRYSTAL				
		X11	6202VDT002E	SX-1SMD SUNNY RADIAL 2025000
		X500	6202VDT002J	SX-1 SUNNY 13.500000MHZ +/-
		X900	6202VDT002B	SX-1 SUNNY SC14.3MHZ +/- 30
		Z1000	6200QL3001Z	B39361-X6966-D100 EPCOS ST

DATE: 2004. 4. 20.				
*S	*AL	LOC. NO.	PART NO.	DESCRIPTION / SPECIFICATION
SWITCH				
		SW1600	140-313A	TACT 2LEAD 100G(TA) LG C&D N
		SW1700	140-313A	TACT 2LEAD 100G(TA) LG C&D N
		SW1701	140-313A	TACT 2LEAD 100G(TA) LG C&D N
		SW1702	140-313A	TACT 2LEAD 100G(TA) LG C&D N
		SW1703	140-313A	TACT 2LEAD 100G(TA) LG C&D N
		SW1704	140-313A	TACT 2LEAD 100G(TA) LG C&D N
		SW1705	140-313A	TACT 2LEAD 100G(TA) LG C&D N
		SW1706	140-313A	TACT 2LEAD 100G(TA) LG C&D N
JACK				
		P700	6612BBBH6A	440062-1 AMP DVI INTERACED R
		JA100	6612F00059C	KJA-SHS360LB KSD SHIELD 3.6P
		JA2000	6612J00060A	PMJ016-07 PARK ELEC. RCA/DIN
		JA2001	380-336E	WA6013E PARKELEC RCA 1P WH G
		JA2002	380-336F	WA6013E PARKELEC RCA RED 1P
		SC1	381-091C	UPJ-R1-019 UGCOM 21PIN W/SHI
		SC2	381-091C	UPJ-R1-019 UGCOM 21PIN W/SHI
OTHERs				
		LD1600	0DLBE0109AA	BRIGHT LED ELECTRONICS BL-BU
		IC900	6620F00017A	CCSD-32T-SM WOYOOUNG 32P PLC
MISCELLANEOUS				
		IR1500	6726TV0001A	REMOTE CONTROLLER RECEIVER
		TU1000	6700VS0003A	TUNER, TAEW-G051D LG INOTEK
ACCESSORIES				
		P/CORD	6410VEH003A	M2511A-001 VOLEX VDE/SEMKO 1
		R/CONTROLLER	6710T00008B	RT-17LZ40 AHPLKX FOR AUSTRAL
		CORD,AV	6852TAZ006U	A/V CABLE KCA-ST-0-0017 UL28
		CABLE,DVI	6866TDV001E	UL2990 DT 2000MM BLACK(9930)
		CABLE,DVI	6866TDV004R	UL20276(7.5MM) DT 2000MM GRA