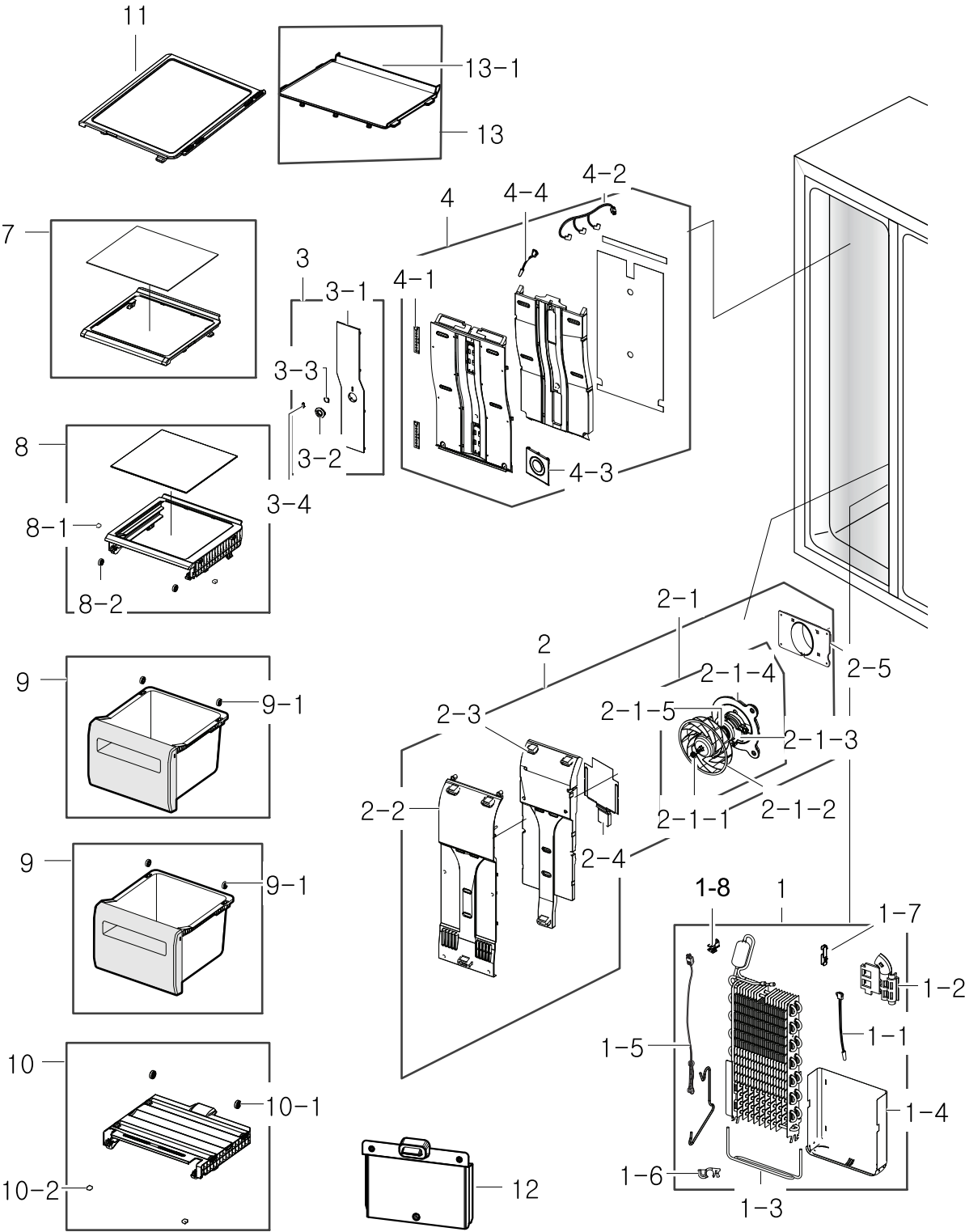


1. freezer

Exploded View



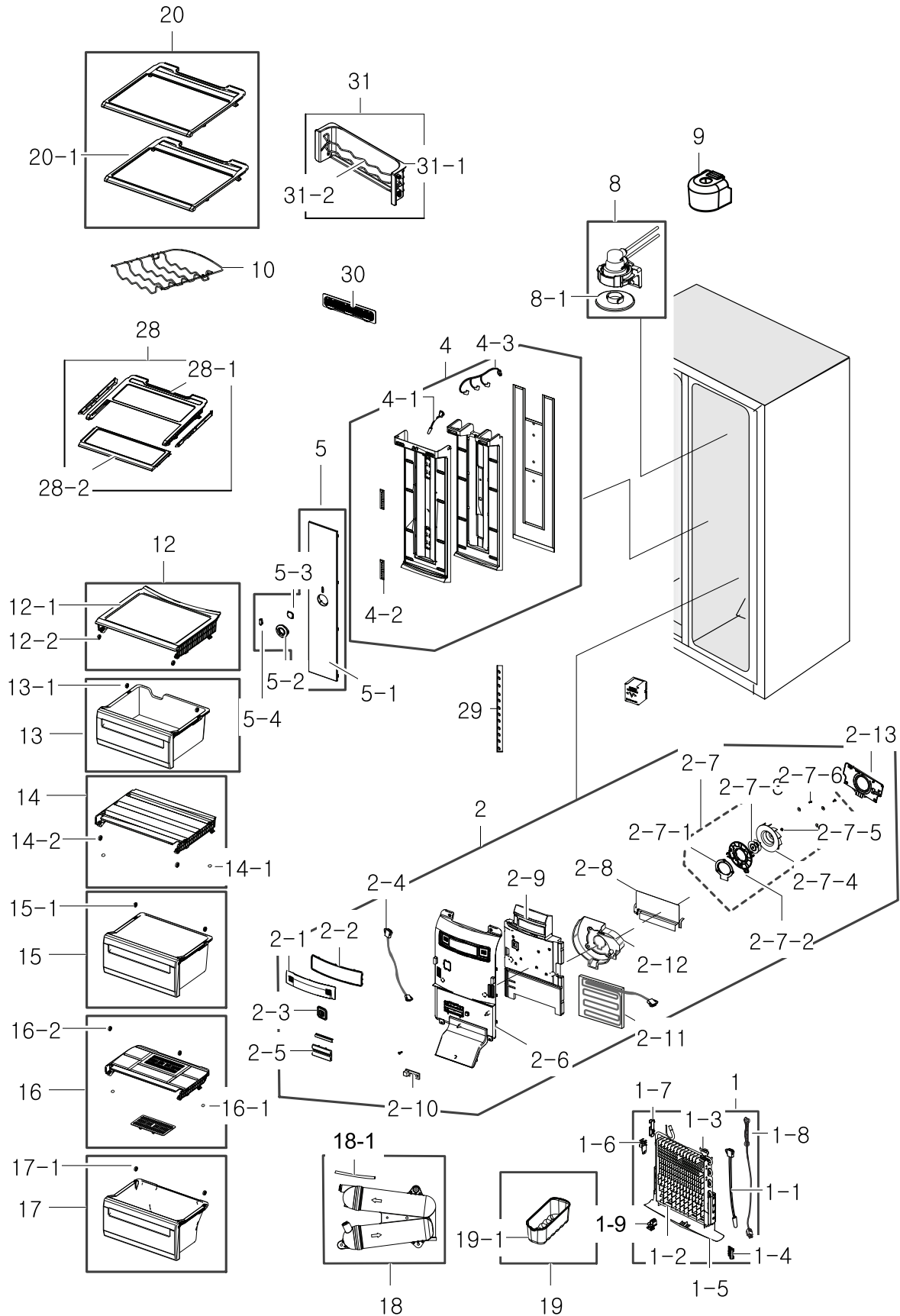
Parts List

No.	Lvl.	Loc.	Material Code	Description & Specification	SNA	Qty.
1	2	RF011	DA96-00672P	ASSY EVAP-FRE; GGH12,FIN-TUBE,230V,218W	SA	1
1-1	3	RR336	DA32-00029N	SENSOR TEMP; DTN-C502G6X,NEXT-PJT,40~110	SA	1
1-2	3	RF217	DA61-05160A	FIXER-FUSE; CULLI_09,PP,NATURAL,BJ750	SA	1
1-3	3		DA47-00320K	HEATER-SHEATH-METAL FRE; GGH,INCOLOY840,2	SA	1
1-4	3	RF169	DA61-05990B	PLATE-DRAIN EVAP FRE; GUGGENHEIM,GL-SAZCC	SA	1
1-5	3	RR342	DA47-00301F	THERMO FUSE-ASSY; TWIN,250V,10A,109~110	SA	1
1-6	3	RG124	DA61-02901A	FIXER-SENSOR EVAP; CORE-PJT,PP,-,NTR,-	SA	1
1-7	3	RU374	DA61-06691A	FIXER-WIRE FRE SUB; HM/GGH/HAEMIL,PP,NTR,	SA	1
1-8	3	RR006	DA61-06013A	FIXER-WIRE; AW3-PJT,PP,NTR	SC	2
2	2	RF005	DA97-12709A	ASSY COVER EVAP-FRE; GGH ENERGY,PP,COOL W	SA	1
2-1	3		DA96-00968A	ASSY MOTOR-FAN; DREP8020RB,DC 12V,1870,HM	SA	1
2-1-1	4	RR053	DA61-20128A	SPRING ETC-FAN; STS304,PI8.8,ID7.8,OD9.8,	SA	1
2-1-2	4		DA31-00292A	FAN-BACKWARD; OPUS1,ABS,NTR	SC	1
2-1-3	4		DA61-08440A	BRACKET-MOTOR SUB; HM12,HIPS,NTR,AIO Q7 M	SA	1
2-1-4	4		DA61-08439A	BRACKET-MOTOR; HM12,ABS,NTR,AIO Q7 MOTOR	SA	1
2-1-5	4		DA31-00305B	MOTOR BLDC; DREP8020RA,1870+-4%,DC 12V,0.	SC	1
2-2	3	RF527	DA63-07040A	COVER EVAP-FRE; GGH-ENERGY,PP,COOL WHITE,	SNA	1
2-3	3		DA62-03713A	INSULATION-EVAP FRE A; GUGGENHEIM A++,FOA	SNA	1
2-4	3	RF168	DA61-05992C	PLATE-EVAP HEATER FRE; GUGGENHEIM,GL-SAZC	SA	1
2-5	3	RF120	DA61-08425A	CASE-MOTOR FRE; HM12,ABS,GRAY,CNTKA-204,S	SA	1
3	2	RF031	DA97-06100A	ASSY-COVER LAMP FRE; GUGGENHEIM,LED TYPE,	SA	1
3-1	3	RF396	DA63-04117A	COVER LAMP-FRE; GUGGENHEIM,PP,T2.0,-,-,-,	SA	1
3-2	3	RI372	DA63-04121A	COVER-SENSOR MID A; GUGGENHEIM,ABS,T2.0,N	SA	1
3-3	3	RI373	DA63-04122A	COVER-SENSOR MID B; GUGGENHEIM,ABS,T2.0,S	SA	1
3-4	3	RI374	DA63-04123A	COVER-SENSOR MID C; GUGGENHEIM,ABS,T2.0,N	SA	1

No.	Lvl.	Loc.	Material Code	Description & Specification	SNA	Qty.
4	2	RF439	DA97-12863A	ASSY COVER-MULTI FRE; GGH-ENERGY,PP,COOL	SA	1
4-1	3	RK387	DA41-00519B	PBA-LED LAMP; GUGGENHEIM-PJT,CEM-1,100*20	SA	2
4-2	3	RR868	DA96-00424H	ASSY W/HARNES-LED LAMP; ALL,12VDC,UL,IEC	SA	1
4-3	3	RG102	DA67-01925A	CAP-SENSOR FRE; GUGGENHEIM,PP,T2.0,-,-,CO	SA	1
4-4	3	RR339	DA32-10109W	SENSOR TEMP; PX-41C,502AT-2,A-TOP,-,5V,-,	SC	1
7	2	RF363	DA97-07885D	ASSY SHELF FRE-MID A; GGH09,BEST, DELETE	SA	1
8	2	RF087	DA97-06137C	ASSY SHELF-FRE LOW; GUGGENHEIM,HIPS, SOUR	SA	1
8-1	3	RI088	DA63-04402A	GROMMET-COVER SUB; GUGGENHEIM,SILICON,-,-	SA	2
8-2	3	RR351	DA66-10104C	ROLLER-FRE; GUGGENHEIM,POM,NATURAL	SA	2
9	2	RF002	DA97-06133M	ASSY CASE-BASKET UP; GGH,EXPORT	SA	2
9-1	3	RR351	DA66-10104C	ROLLER-FRE; GUGGENHEIM,POM,NATURAL	SA	2
10	2	RI387	DA97-06135B	ASSY COVER-BASKET LOW; GGH,GPPS	SA	1
10-1	3	RR351	DA66-10104C	ROLLER-FRE; GUGGENHEIM,POM,NATURAL	SA	2
10-2	3	RR351	DA66-10104C	ROLLER-FRE; GUGGENHEIM,POM,NATURAL	SA	2
11	2	RF272	DA97-07027A	ASSY SHELF FRE-BOTTOM; GUGGENHEIM,EU	SA	1
12	2		DA97-12841A	ASSY COVER EVAP-FRE SUB; GGH ENERGY,PP,CO	SA	1
13	2	RF272	DA97-07027A	ASSY SHELF FRE-BOTTOM; GUGGENHEIM,EU	SA	1
13-1	3	RF273	DA67-02104A	SHELF FRE-BOTTOM; GUGGENHEIM,HIPS,-,-,-,C	SC	1

2. fridge

Exploded View



Parts List

No.	Lvl.	Loc.	Material Code	Description & Specification	SNA	Qty.
1	2	RI016	DA96-00673Q	ASSY EVAP-REF; GUGGENHEIM,FIN PIPE,A1070S	SA	1
1-1	3	RY452	DA32-00029M	SENSOR TEMP; DTN-C502G6X,NEXT-PJT,40~110	SA	1
1-2	3		DA47-00321K	HEATER-SHEATH-METAL REF; GGH-PJT,INCOLOY8	SA	1
1-3	3	RK213	DA61-03683A	FIXER-SENSER; AW-PJT,PP,-,NTR,FH-44N	SA	1
1-4	3	RF217	DA61-05160A	FIXER-FUSE; CULLI_09,PP,NATURAL,BJ750	SA	1
1-5	3	RF385	DA61-05702B	PLATE-DRAIN EVAP REF; HERMES, GUGGENHEIM,	SA	1
1-6	3	RC049	DA61-06062A	PLATE-EVAP BRACKET REF; HERMES/GUGGENHEIM	SA	1
1-7	3	RU375	DA61-06700A	FIXER-HEATER WIRE REF; HM/GGH/HAEMIL,PP,N	SA	2
1-8	3	RR355	DA47-00301E	THERMO FUSE-ASSY; GUGGENHEIM,250V,10A,109	SA	1
1-9	3	RR006	DA61-06013A	FIXER-WIRE; AW3-PJT,PP,NTR	SC	2
2	2	RI008	DA97-12718A	ASSY COVER EVAP-REF; GGH12,BASIC, 220V~24	SA	1
2-1	3	RF333	DA63-04129F	COVER-PURIFIER LOW; GGH,PP,2.5,325,EXP,DA	SA	1
2-2	3	RG056	DA64-02468A	TRIM-PURIFIER LOW; GUGGENHEIM,ABS,-,-,-,A	SA	1
2-3	3	RI609	DA61-04393A	GUIDE AIR-REF; GUGGENHEIM-PJT,HIPS,-,-,-,	SA	1
2-4	3	RR865	DA96-00424C	ASSY W/HARNESS-LED LAMP; ALL,12VDC,UL,IEC	SA	1
2-5	3	RG031	DA63-04128B	COVER-LED REF LOW; GUGGENHEIM,GPPS,NTR	SA	1
2-6	3	RG175	DA63-07037A	COVER-EVAP REF; GUGGENHEIM A++,PP,T2.0,CO	SNA	1
2-7	3		DA96-00968A	ASSY MOTOR-FAN; DREP8020RB,DC 12V,1870,HM	SA	1
2-7-1	4		DA61-08440A	BRACKET-MOTOR SUB; HM12,HIPS,NTR,AIO Q7 M	SA	1
2-7-2	4		DA61-08439A	BRACKET-MOTOR; HM12,ABS,NTR,AIO Q7 MOTOR	SA	1
2-7-3	4		DA31-00305B	MOTOR BLDC; DREP8020RA,1870+-4%,DC 12V,0.	SC	1
2-7-4	4		DA31-00292A	FAN-BACKWARD; OPUS1,ABS,NTR	SC	1
2-7-5	4	RR053	DA61-20128A	SPRING ETC-FAN; STS304,PI8.8,ID7.8,OD9.8,	SA	1
2-7-6	4	RR014	6002-000630	SCREW-TAPPING; PH,+,NO,2S,M3,L8,ZPC(WHT),	SA	1

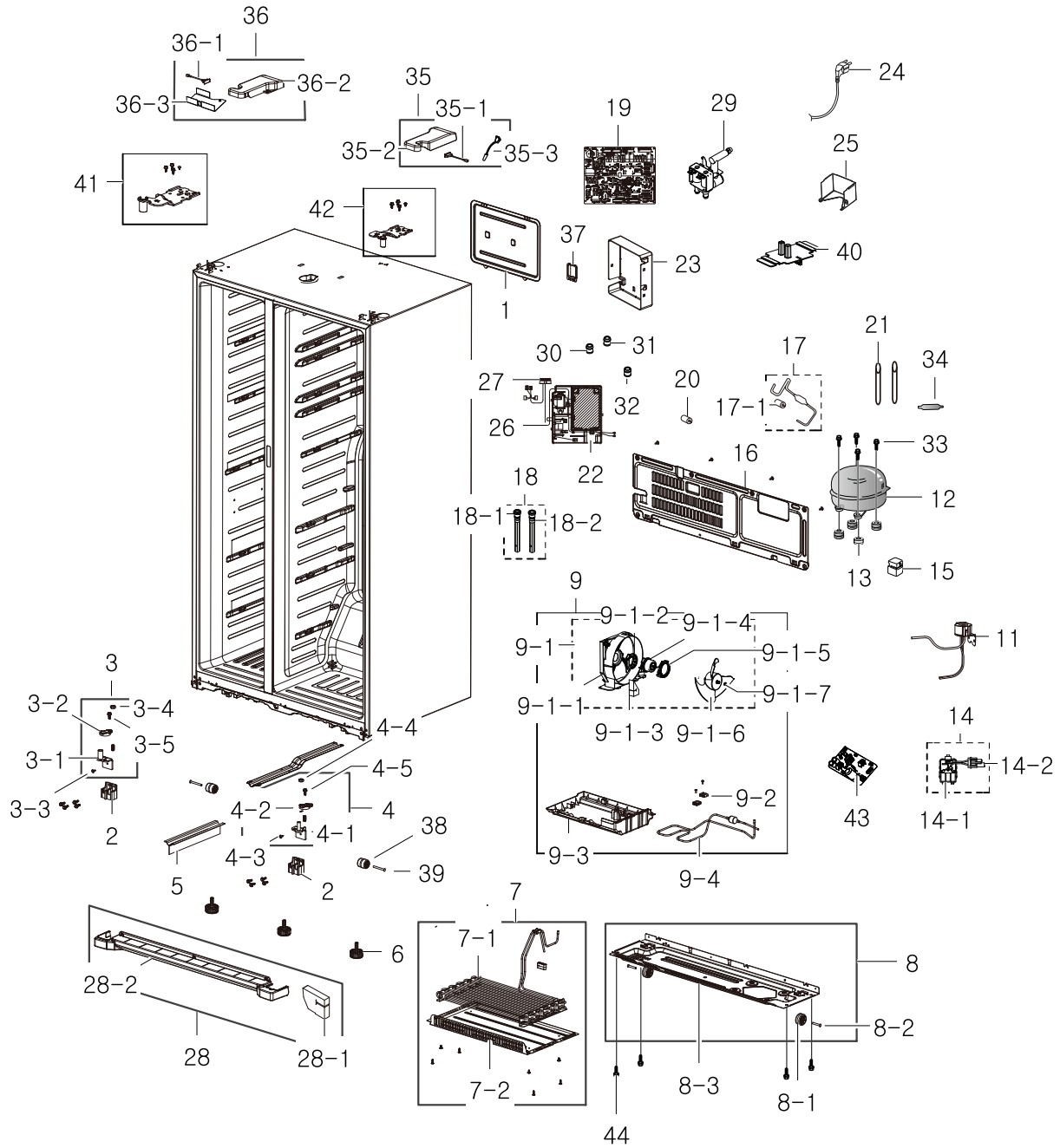
Exploded Views and Parts List

No.	Lvl.	Loc.	Material Code	Description & Specification	SNA	Qty.
2-8	3	RI529	DA61-04130B	PLATE-EVAP HEATER REF; GUGGENHEIM,AL,T0.4	SNA	1
2-9	3	RE288	DA62-03711A	INSULATION-EVAP REF A; GUGGENHEIM A++,FOA	SNA	1
2-10	3	RR944	DA96-00392C	ASSY-LAMP LED; AW CD,3chip 2EA(SBS) or 1c	SC	1
2-11	3	RI045	DA47-00283A	HEATER-WATER TANK; GUGGENHEIM-PJT,P-CORD,	SNA	1
2-12	3		DA61-08409A	SUPPORT-INS EVAP REF; GUGGENHEIM A++,HIPS	SNA	1
2-13	3		DA61-08438A	PLATE-MOTOR REF; HM12,ABS,NTR,ABS,AIO Q7	SA	1
4	2	RI019	DA97-12864A	ASSY COVER-MULTI REF; GGH-ENERGY,PP,COOL	SA	1
4-1	3	RR339	DA32-10109W	SENSOR TEMP; PX-41C,502AT-2,A-TOP,-,5V,-,	SC	1
4-2	3	RK387	DA41-00519B	PBA-LED LAMP; GUGGENHEIM-PJT,CEM-1,100*20	SA	2
4-3	3	RR863	DA96-00424A	ASSY W/HARNESS-LED LAMP; ALL,12VDC,UL,IEC	SA	1
5	2	RI391	DA97-06092A	ASSY COVER-LAMP REF; GUGGENHEIM,-,-,-,-,-	SA	1
5-1	3	RI371	DA63-04120A	COVER LAMP-LED REF; GUGGENHEIM,PP,T2.0,-,	SA	1
5-2	3	RI372	DA63-04121A	COVER-SENSOR MID A; GUGGENHEIM,ABS,T2.0,N	SA	1
5-3	3	RI373	DA63-04122A	COVER-SENSOR MID B; GUGGENHEIM,ABS,T2.0,S	SA	1
5-4	3	RI374	DA63-04123A	COVER-SENSOR MID C; GUGGENHEIM,ABS,T2.0,N	SA	1
8	2	RI006	DA97-06317A	ASSY CASE-FILTER; AW,-,-,-,-,-	SA	1
8-1	3	RM033	DA67-02270A	CAP-SUPPORT FILTER; A-TOP,PP,-,-,-,WHITE,	SA	1
9	2	RI696	DA63-04150B	COVER-FILTER; AW,HIPS,-,96.0,73.6,-,-,COO	SA	1
10	2	RI160	DA75-00267A	RACK-WINE; GUGGENHEIM,STS204,OD4.5,455.1,	SA	1
12	2	RI039	DA97-06440B	ASSY SHELF-REF LOW; GUGGENHEIM,NON PRINTE	SA	1
12-1	3	RI660	DA67-02038B	SHELF REF-LOW; GUGGENHEIM,ABS,COOL-WHITE,	SA	1
12-2	3	RR351	DA66-10104C	ROLLER-FRE; GUGGENHEIM,POM,NATURAL	SA	2
13	2	RI002	DA97-06441N	ASSY CASE-VEG UP; GGH,EXPORT	SA	1
13-1	3	RR351	DA66-10104C	ROLLER-FRE; GUGGENHEIM,POM,NATURAL	SA	2
14	2	RI386	DA97-06136B	ASSY COVER-VEG UP; GGH,GPPS	SA	1
14-1	3	RI088	DA63-04402A	GROMMET-COVER SUB; GUGGENHEIM,SILICON,-,-	SA	2
14-2	3	RR351	DA66-10104C	ROLLER-FRE; GUGGENHEIM,POM,NATURAL	SA	2
15	2	RI452	DA97-06132R	ASSY CASE-VEG MID; GGH,EXPORT	SA	1

No.	Lvl.	Loc.	Material Code	Description & Specification	SNA	Qty.
15-1	3	RR351	DA66-10104C	ROLLER-FRE; GUGGENHEIM,POM,NATURAL	SA	2
16	2	RI567	DA97-07839B	ASSY COVER VEG-LOW; GGH,GPPS	SA	1
16-1	3	RI088	DA63-04402A	GROMMET-COVER SUB; GUGGENHEIM,SILICON,-,-	SA	2
16-2	3	RR351	DA66-10104C	ROLLER-FRE; GUGGENHEIM,POM,NATURAL	SA	2
17	2	RI001	DA97-06131P	ASSY CASE-VEG LOW; GGH,EXPORT	SA	1
17-1	3	RR351	DA66-10104C	ROLLER-FRE; GUGGENHEIM,POM,NATURAL	SA	2
18	2	RI043	DA97-08536F	ASSY TANK WATER; GGH,NTR	SA	1
18-1	3	RK443	DA62-02429K	PIPE-WATER LINE; LLDPE,OD7.93,880	SA	1
19	2	RG125	DA97-02806G	ASSY TRAY-EGG; SVETA	SA	1
19-1	3	RE355	DA63-05113A	TRAY EGG; SVETA-PJT,GPPS,TRP	SA	1
20	2	RI412	DA97-06205B	ASSY SHELF REF-TOP BEST; GUGGENHEIM-PJT,B	SC	2
20-1	3	RI414	DA64-02504B	TRIM SHELF-REF TOP; GUGGENHEIM,STS304,T0.	SA	2
28	2	RI259	DA97-06189B	ASSY SHELF REF-FOLD BEST; GUGGENHEIM-PJT,	SC	1
28-1	3	RI042	DA67-01930B	SHELF REF-FOLD A; GUGGENHEIM-PJT,ABS,T2.0	SA	1
28-2	3	RI038	DA67-01971B	SHELF REF-FOLD B; GUGGENHEIM-PJT,ABS,452.	SA	1
29	2	RY433	DA41-00519V	PBA COSMO-LED LAMP; HM10,CEM-1,100*20*1.6	SA	2
30	2	RI370	DA63-06849A	COVER LAMP-LED FRONT; POLARIS,PC,TRANSPAR	SA	2
31	2	RI385	DA97-06549A	ASSY-CAN CARRY; GUGGENHEIM,-,-,-	SA	1
31-1	3	RI369	DA61-04399A	SUPPORT-RACK CAN CARRY; GUGGENHEIM,HIPS,-	SA	1
31-2	3	RI394	DA75-00209A	RACK-CAN CARRY; GUGGENHEIM,STS204,-,-,-,-	SA	1

3. cabinet

Exploded View



Parts List

No.	Lvl.	Loc.	Material Code	Description & Specification	SNA	Qty.
1	2	RO461	DA97-06120T	ASSY COVER-PCB PANEL MAIN; GUGGENHEIM,SBH	SA	1
2	2	RO500	DA61-04215A	BRACKET HINGE-LOW; GUGGENHEIM,AL,-,-,-,-,	SA	2
3	2	RO037	DA97-06158B	ASSY HINGE LOW-L; GUGGENHEIM,BLK	SA	1
3-1	3	RO434	DA61-04191A	HINGE-LOW L; GUGGENHEIM,SHP1,T4.5,-,-,-,-	SA	1
3-2	3	RD200	DA66-00560B	CAM HINGE-RISER LOW L; GUGGENHEIM,NY-66,B	SA	1
3-3	3	RR335	6003-001435	SCREW-TAPTYPE; HWH,+S,M5,L12.7,ZPC2(WHT)	SA	1
3-4	3	RX003	6021-001125	NUT-HEXAGON; 3,M8,ZPC(WHT),SWCH10A	SA	1
3-5	3	RR968	6011-001442	BOLT-SOCKET; M8,L15,ZPC(BLK),SCM435,4mm,F	SA	1
4	2	RO038	DA97-06157B	ASSY HINGE LOW-R; GUGGENHEIM,BLK	SA	1
4-1	3	RO436	DA61-04190A	HINGE-LOW R; GUGGENHEIM,SHP1,T4.5,-,-,-,-	SA	1
4-2	3	RD201	DA66-00559A	CAM HINGE-RISER LOW R; GUGGENHEIM,NY-66,-	SA	1
4-3	3	RR335	6003-001435	SCREW-TAPTYPE; HWH,+S,M5,L12.7,ZPC2(WHT)	SA	1
4-4	3	RX003	6021-001125	NUT-HEXAGON; 3,M8,ZPC(WHT),SWCH10A	SA	1
4-5	3	RR968	6011-001442	BOLT-SOCKET; M8,L15,ZPC(BLK),SCM435,4mm,F	SA	1
5	3	RM102	DA64-02605A	TRIM-BLADE; GUGGENHEIM,PVC,-,-,-,WHITE+GR	SA	1
6	3	RO100	DA61-00805F	FOOT-FRONT; REF-ALL,PP+MSWR10,BLACK,PP_S	SA	2
7	2	RH701	DA97-06123D	ASSY-CONDENSER; GUGGENHEIM,SWST,ID3.76,OD	SA	1
7-1	3	RC702	DA97-06122B	ASSY-FIN CONDENSER; GUGGENHEIM,SWST,ID3.7	SA	1
7-2	3	RC022	DA97-06508F	ASSY COVER-CONDENSER; GUGGENHEIM,SBHG1,FO	SA	1
8	2	RO002	DA97-06121B	ASSY CHASSIS-COMP; GUGGENHEIM,SBHG1,T1.2,	SA	1
8-1	3	RR242	DA61-04703A	CASTER-REAR; AW-PJT,PP,-,35,NTR,35,PP+TPE	SA	2
8-2	3	RX039	DA66-00649A	SHAFT-CASTER; AW-PJT,MSWR10,L46,OD8.0,ZPC	SA	2
8-3	3	RO153	DA64-02480A	CHASSIS-COMP; GUGGENHEIM,SBHG1,T1.2	SNA	1
9	2	RH003	DA97-12870A	ASSY TRAY-DRAIN WATER; GUGGENHEIM ENERGY,	SA	1
9-1	3	RO132	DA97-12842A	ASSY SUPPORT-CIRCUIT MOTOR; HM12,160mm FA	SA	1

Exploded Views and Parts List

No.	Lvl.	Loc.	Material Code	Description & Specification	SNA	Qty.
9-1-1	4	RF412	DA61-08427A	SUPPORT-CIRCUIT MOTOR; HM12,ABS,CNTK A-20	SC	1
9-1-2	4	RI086	DA63-07065A	GROMMET-MOTOR; HM12,NBR,BLACK	SA	1
9-1-3	4		DA62-03768A	SEAL-SUPPORT MOTOR; HM12,FOAM-PE,T20	SNA	1
9-1-4	4		DA31-00305C	MOTOR BLDC-CIRCUIT; DRCP8020LA,1120+-6%,1	SC	1
9-1-5	4	RH039	DA61-08428A	BRACKET-CIRCUIT MOTOR; HM12,ABS,GRAY,ABS_	SC	1
9-1-6	4	RG062	DA31-00320A	FAN; HM12,ABS+GLASSFIBER,GR-4010/NTR	SC	1
9-1-7	4	RR053	DA61-20128A	SPRING ETC-FAN; STS304,PI8.8,ID7.8,OD9.8,	SA	1
9-2	3	RH054	DA63-04424A	GROMMET-COND SUB; GUGGENHEIM,NBR,-,-,-,-,	SA	2
9-3	3	RO361	DA63-07064A	TRAY-DRAIN WATER; GGH ENERGY,PP,NTR,PP-S	SA	1
9-4	3	RH055	DA97-06125A	ASSY PIPE-CONDENSER SUB; GUGGENHEIM,SWST,	SA	1
11	2	RF113	DA97-07070A	ASSY MOTOR-STEP VALVE; CULLINAN,MOLD BRAC	SA	1
12	2	RH002	NC4EVA5ALM/E01	COMPRESSOR,BLDC IPM,15.32CC,220-240V,FAN; COMPRESSOR,BLDC IPM,15.32CC,220-240V,FAN	SA	1
13	2	RH732	DA63-02617A	GROMMET COMP; USP05,EPDM,OD27.0,BLACK	SA	4
14	2	RH070	DA97-10848E	ASSY COMP-SUB; WIRE HARNESS-COMP SUB,4TM3	SA	1
14-1	3	RO354	DA34-00004B	RELAY PROTECTOR O/L; 4TM308RFBYY-82,BK190	SA	1
14-2	3	RH741	DA39-00154D	WIRE HARNESS-COMP; GUGGENHEIM,PVC_TUBE,-,	SA	1
15	2	RH015	DA63-01866A	COVER RELAY; NORYL,T2.0,SSEC,BLACK,HOOK	SA	1
16	2	RH001	DA97-06124C	ASSY COVER-COMP; GUGGENHEIM,SEAL NOT	SA	1
17	2	RO550	DA97-12874A	ASSY PIPE-CONNECT; HERMES PJT	SA	1
17-1	3	RX042	DA63-40171D	GROMMET-SUCT PIPE B; RAIL L20,NR,ID5.5,OD	SA	1
18	2	RZ110	DA97-04049B	ASSY CAP-DRAIN; SBS,ASSY,-,-,L224.5,-,-	SA	2
18-1	3	RG141	DA61-02443A	FIXER-DRAIN; RS18RK,HIPS,-,NTR,-	SA	2
18-2	3	RO162	DA63-00951C	GROMMET-DRAIN HOSE; V2-PJT,NBR,BLACK	SA	2
19	1	RY475	DA92-00405A	ASSY PCB MAIN; 13V, 5V,LED DISPLAY,GGH12-	SA	1
20	3	RX042	DA63-40171D	GROMMET-SUCT PIPE B; RAIL L20,NR,ID5.5,OD	SA	1
21	2	RH026	DA73-10190U	PIPE-CONNECT DISC,B; TD-PJT,C1220-T,OD6.3	SA	1

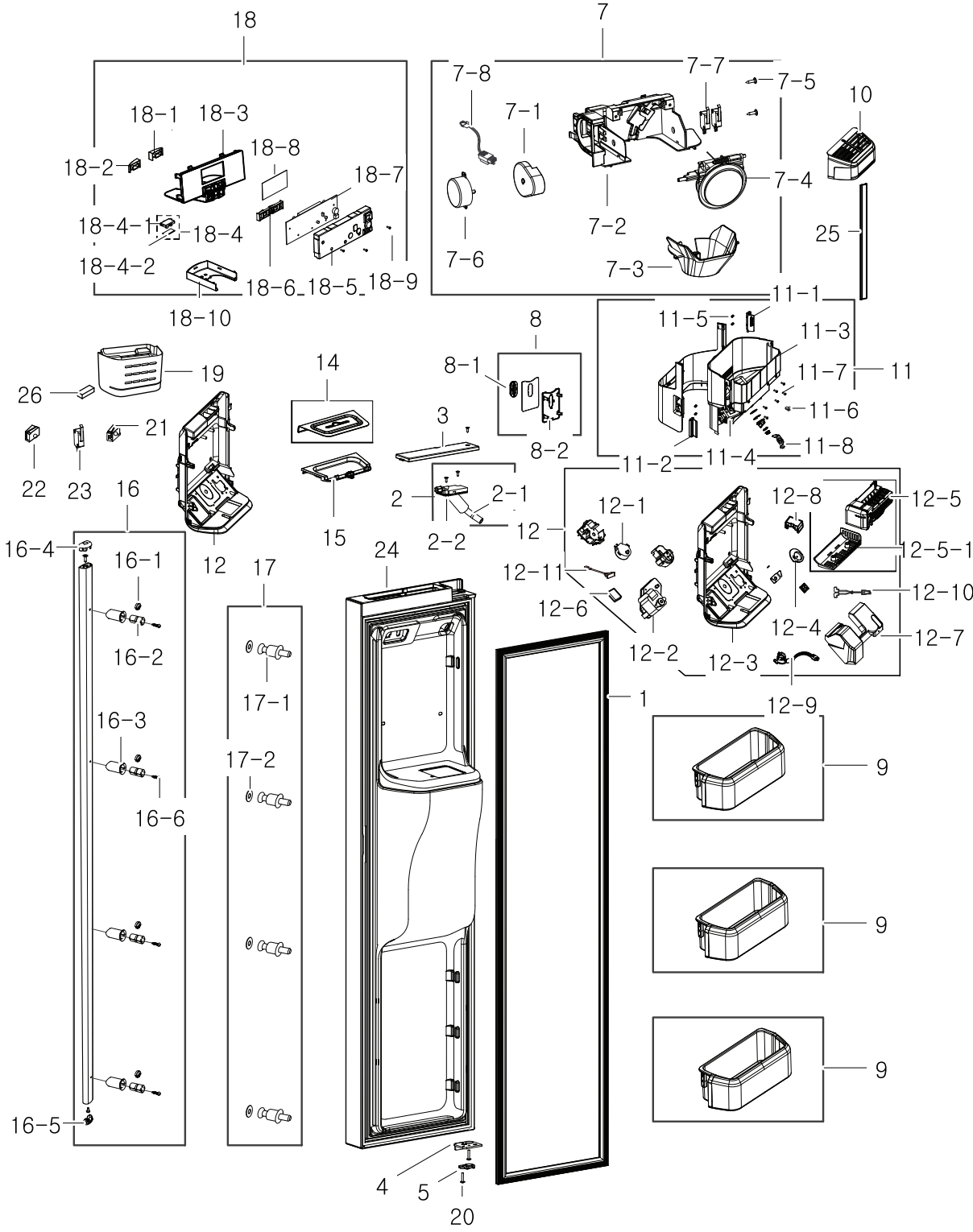
No.	Lvl.	Loc.	Material Code	Description & Specification	SNA	Qty.
22	2	RO206	DA61-07781A	CASE-PCB PANEL INV; GUGGENHEIM,MPPE,VICTO	SA	1
23	2	RH060	DA97-06839A	ASSY COVER-PCB PANEL INV; GUGGENHEIM,mPPE	SA	1
24	2	RK076	DA39-10115D	CBF-POWER CORD; UCP-2,250V,10/16A,L2100,-	SA	1
25	2	RG097	DA63-05566A	COVER-HOUSING; GGH-KENMORE,GI-SGCC,T0.5	SA	1
26	2	RH069	DA27-00041A	COIL FILTER; SSLF-203AF,2.6mH,60*82mm,BOX	SC	1
27	2	RH057	DA96-00443K	ASSY W/HARNES-INVERTER BOX; GGH-PJT, ENE	SA	1
28	2	RO003	DA97-06756F	ASSY COVER LEG FRONT; GUGGENHEIM,-,T2.5,W	SA	1
28-1	3	RO239	DA62-01971B	SEAL-COVER LEG FRONT; GUGGENHEIM,FOAM-PE,	SNA	1
28-2	3	RO287	DA63-04467A	COVER-LEG FRONT; GUGGENHEIM,PP,T2.5,W98,L	SA	1
29	2	RM063	DA62-02439D	VALVE WATER-2WAY; GGH-PJT,POM,1.0~8.0K,NO	SA	1
30	2		DA60-00279A	FITTING-LOKRING 16; GRAND/SAM/HERMES,11SM	SA	1
31	2		DA60-00280A	FITTING-LOKRING 33; GRAND/SAM/HERMES,11SM	SA	1
32	2		DA60-00281A	FITTING-LOKRING 43; GRAND/SAM/HERMES,11SM	SA	1
33	2	RR963	6011-001656	BOLT-HEX; HWH,M6,L16,ZPC(WHT),SWCH22,MACH	SA	6
34	2	RH044	DA62-04309A	DRYER; ALL,C1220T,9	SA	1
35	2	RO045	DA97-06159L	ASSY COVER HINGE-UPP R; HM10,T2.5,W96.1,L	SA	1
35-1	5	RY459	DA34-00043C	SWITCH REED-ASS'Y; 200VDC,1.5A,-	SA	1
35-2	3	RO455	DA63-04180C	COVER HINGE-UPP R; GUGGENHEIM(EXP),ABS,T2	SA	1
35-3	3	RO302	DA32-00034B	SENSOR HUMIDITY; SHT20P,POLARIS,5V,1mA,0	SA	1
36	2	RO044	DA97-06160C	ASSY COVER HINGE-UPP L; GUGGENHEIM(EXP),-	SA	1
36-1	3	RY459	DA34-00043C	SWITCH REED-ASS'Y; 200VDC,1.5A,-	SA	1
36-2	3	RK129	DA63-04181C	COVER HINGE-UPP L; GUGGENHEIM(EXP),N-ABS,	SA	1
36-3	3	RO250	DA61-04527A	PLATE-COVER HINGE; GGH-PJT,SBHG1,T0.4,91.	SA	1
37	2	RM030	DA63-00586B	COVER-TUBE FILTER; A-TOP,PP,-,W76,L83,-,-	SA	1
38	3	RO360	DA61-04702A	CASTER-FRONT; AW-PJT,PP,-,35,NTR,35,PP+TP	SA	2

Exploded Views and Parts List

No.	Lvl.	Loc.	Material Code	Description & Specification	SNA	Qty.
39	3	RH012	DA61-01920A	CASTER-RIVET; (ZPC2),MSWR10,OD8.0,L58	SA	2
40	2		DA63-06662A	COVER-INV PCB; GUGGENHEIM,MPPE,VICTORY DA	SA	1
41	2	RO129	DA61-04188B	HINGE-UPP L; GUGGENHEIM(EXP),SHP1,T3.0,-,	SA	1
42	2	RO128	DA61-04189B	HINGE-UPP R; GUGGENHEIM(EXP),SHP1,T3.0,-,	SA	1
43	1	RO326	DA92-00215L	ASSY PCB SUB INVERTER; 15,5V,GGH A++,ENV2	SNA	1
44	2	RR963	6011-001656	BOLT-HEX; HWH,M6,L16,ZPC(WHT),SWCH22,MACH	SA	6

4. freezer door

Exploded View



Parts List

No.	Lvl.	Loc.	Material Code	Description & Specification	SNA	Qty.
1	2	RR894	DA97-04568N	ASSY-GASKET DOOR FRE; GUGGENHEIM,SC-9748	SA	1
2	5	RO131	DA97-06542A	ASSY PIPE-WATER ICE; GUGGENHEIM(EXP),230V	SA	1
2-1	6	RY760	DA62-01368F	PIPE-WATER LINE; PERT,4.2,6.35,1000,ORANG	SA	2
2-2	6	RM020	DA71-20208A	FIXER-VALVE WATER B; SR-S7180,NY-6,OD6.1,	SA	1
3	5	RO231	DA63-04341A	COVER-CAP DOOR FRE; GUGGENHEIM,ABS,-,W61.	SA	1
4	5	RD070	DA61-04195A	STOPPER-DOOR L; GUGGENHEIM,SHP1,T3.0,-,-,	SA	1
5	5	RD202	DA66-00558B	CAM HINGE-RISER UPP L; POLARIS,NY-66,BLAC	SA	1
7	2	RE092	DA97-06473E	ASSY CASE-ICE ROUTE; GGH,AC220/240	SA	1
7-1	3	RD199	DA66-00309A	CAM-GEAR MOTOR; QUEEN,POM,-,-,NTR,-,-,-,-	SA	1
7-2	3	RE130	DA61-04373A	CASE ICE ROUTE; GUGGENHEIM,ABS,I BLACK,-	SA	1
7-3	3	RD062	DA61-04377A	GUIDE-ICE DISPENSER; GUGGENHEIM,ABS,UT-05	SA	1
7-4	3	RD068	DA97-00883E	ASSY COVER-ICE ROUTE; QUEEN-PJT,-,-,-,-,-	SA	1
7-5	3	RR017	6002-001364	SCREW-TAPPING; FH,+,-,1,M4,L14,CR PLT,SWR	SA	2
7-6	3	RF261	DA31-00079A	MOTOR GEARED-DISP; 15.2/18.2 rpm,50/60Hz,	SA	1
7-7	3	RK822	DA34-00011A	SWITCH-MICRO; VP533A-OF-5,MICRO,PBT,250V,	SA	2
7-8	3	RE155	DA96-00106C	ASSY-W/HARNESS DISP; AW2-PJT,W/H DISP	SA	1
8	2	RI382	DA97-06478E	ASSY COVER-MICRO SWITCH; GUGGENHEIM,-,-,W	SA	1
8-1	3	RQ615	DA66-00600C	LEVER-PUSH; GUGGENHEIM,SILICON,T0.5,W31.3	SA	1
8-2	3	RG172	DA63-04375E	COVER-MICRO SWITCH; GUGGENHEIM,ABS,-,W86,	SA	1
9	2		DA97-12832A	ASSY GUARD-FRE MID; GUGGENHEIM ENERGY,GPP	SA	3
10	2	RM003	DA97-06568C	ASSY COVER-ICE MAKER; GUGGENHEIM(EXP),COO	SA	1
11	2		DA97-06569P	ASSY CASE-ICE BUCKET; GGH,BLADE(2-WAY),IN	SA	1
11-1	3	RM051	DA66-00587A	LEVER-BUCKET L; GUGGENHEIM,ABS,29.8,76.7,	SC	1
11-2	3	RM052	DA66-00588A	LEVER-BUCKET R; GUGGENHEIM,ABS,29.8,76.7,	SA	1
11-3	3	RM050	DA64-02587A	WINDOW-BUCKET; GUGGENHEIM,PETG,T90G,NATUR	SA	1

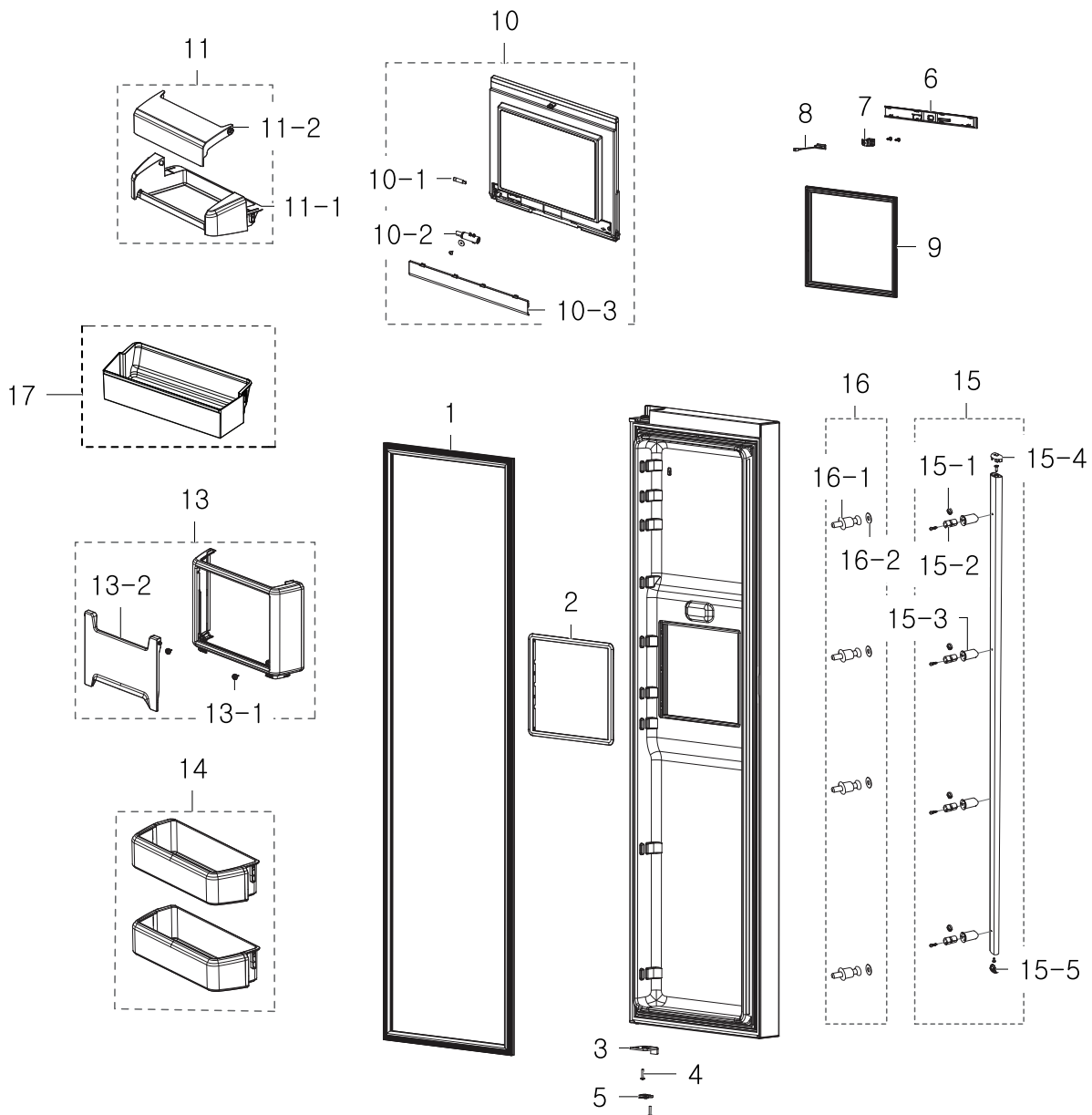
No.	Lvl.	Loc.	Material Code	Description & Specification	SNA	Qty.
11-4	3		DA63-04354C	COVER-CRUSHER BUCKET; GUGGENHEIM,ABS,HB,N	SA	1
11-5	3	RM049	DA61-04378A	SPRING ETC-BUCKET LEVER; GUGGENHEIM,STS30	SA	4
11-6	3	RY482	DA61-02738A	MAGNET-ASS'Y; CORE-PJT,Strontium ferrite,	SA	1
11-7	3	RR113	6002-000473	SCREW-TAPPING; TH,+,NO,1,M4,L14,PASS,STS3	SA	6
11-8	3	RF104	DA65-00051A	CLAMPER CORE-HELIX; GUGGENHEIM,STS304,-,-	SA	1
12	2	RF416	DA97-11095D	ASSY CASE-AUGER MOTOR; GGH,230V 50Hz	SA	1
12-1	3	RF261	DA31-00079A	MOTOR GEARED-DISP; 15.2/18.2 rpm,50/60Hz,	SA	1
12-2	3	RF434	DA31-00210E	MOTOR GEARED-AUGER; ISG-3245SSB,150kgf.cm	SA	1
12-3	3	RF417	DA61-04363B	CASE-AUGER MOTOR; HM10,GGH,ABS,COOL WHITE	SC	1
12-4	3	RF185	DA66-00589A	CAM-LEVER CUBE; GUGGENHEIM,POM,T17.9,55	SA	1
12-5	3	RM061	DA97-11092A	ASSY ICE MAKER; GGH-PJT,220~240V,50Hz	SA	1
12-5-1	4	RI379	DA63-04355A	COVER-HEATER ICE MAKER; GUGGENHEIM,ABS,47	SA	1
12-6	3		DA33-10011A	MAGNET; SSM-390,T2,W5,L7,-,	SA	1
12-7	3	RF251	DA63-04362B	COVER-MOTOR AUGER SUB; GUGGENHEIM,HIPS,NT	SA	1
12-8	3	RM080	DA63-05515A	COVER-MOTOR AUGER COIL; GGH,ABS,NTR	SA	1
12-9	3		DA96-00036P	ASSY-WIRE HARNESS SUB; GUGGENHEIM-PJT,100	SA	1
12-10	3	RY001	DA97-00151B	SWITCH REED; UL1007 AWG#22,100,Molex 2P,2	SA	1
12-11	3	RY459	DA34-00043C	SWITCH REED-ASS'Y; 200VDC,1.5A,-	SA	1
14	2	RO489	DA63-04372E	TRAY-DISPENSER; GUGGENHEIM,ABS,-,W239.4,L	SA	1
15	2	RO486	DA61-04386D	CASE-TRAY DISPENSER; GUGGENHEIM,ABS,-,W23	SA	1
16	2	RO140	DA97-06632L	ASSY HANDLE-BAR; GUGGENHEIM,AL,T1.5,REAL	SA	1
16-1	3	RO587	DA61-03636A	STOPPER-HANDLE; CULLINAN,SK5,-,-,-,-,-	SA	4
16-2	3	RO485	DA61-03726A	SUPPORT-HANDLE; HERMES,PA66,-,NTR	SA	4
16-3	3	RO527	DA67-01673G	CAP-SUPT HANDLE; JM,ABS,-,-,-,MANHATTAN P	SA	4
16-4	3	RK011	DA67-02051A	CAP-HANDLE; GUGGENHEIM,ABS,52.0,W31.8,L17	SA	1
16-5	3		DA67-02051B	CAP-HANDLE; GGH,ABS,VICTORY GRAY	SA	1
16-6	3	RR331	6009-001512	SCREW-SPECIAL; BH,+, -,M4,L16,ZPC(WHT),SWR	SA	4

Exploded Views and Parts List

No.	Lvl.	Loc.	Material Code	Description & Specification	SNA	Qty.
17	2	RO170	DA97-05529C	ASSY-BRACKET HANDLE; HREMES-PJT,SWCH10A,-	SA	4
17-1	3	RO171	DA61-03725B	BRACKET-HANDLE; HERMES,SWCH10A,-,L31,-,	SA	4
17-2	3	RJ720	DA63-03840A	GROMMET-HANDLE; HERMES,SILICON,T1,-,-,-,-	SA	4
18	2	RE277	DA97-12906A	ASSY COVER DISP; GGH12,BLACK SMOG,EUROPE/	SA	1
18-1	3	RE159	DA64-02566A	BUTTON-ICE DISPENSER; AW2,ALDC12,42.6*23.	SA	1
18-2	3	RE158	DA64-02567A	BUTTON-WATER DISPENSER; AW2,ALDC12,42.6*2	SA	1
18-3	3	RR163	DA63-04368P	COVER-DISPENSER; GGH09,ABS,W235.1,L83,PLA	SA	1
18-4	3	RI147	DA97-02847A	ASSY-LAMP DOOR; EPEL,LED TYPE,-,-	SA	1
18-4-1	4	RE310	DA63-02446A	COVER-LAMP-LED; EPEL,ABS,-,W39.6,L22.6,-,	SA	1
18-4-2	4	RR492	DA41-00217B	ASSY PCB KIT; E-PEL,DOOR FRE,FR-1,31*17,D	SA	1
18-5	3	RO464	DA63-04361B	COVER-PCB PANEL REAR; GGH,HIPS,NTR,HIPS_S	SA	1
18-6	3	RE160	DA63-04482A	GROMMET-BUTTON CONTROL; GUGGENHEIM,SILICO	SNA	1
18-7	3		DA92-00404A	ASSY PCB KIT LED; BLUE LED TOUCH*6,GGH12-	SA	1
18-8	3	RD305	DA64-02582B	WINDOW-COVER DISPENSER; GUGGENHEIM,ACRYL,	SA	1
18-9	3	RR004	6003-000333	SCREW-TAPTYPE; RH,+,-,2S,M3,L10,ZPC(WHT),	SA	3
18-10	3	RD198	DA64-02596A	DECORATION-FAUCET; GUGGENHEIM,AL,W87.1,L1	SNA	1
19	2	RD351	DA63-05013B	GUARD FRE-UPP; HM10,HIPS,2-STAR	SA	1
20	5	RR007	6001-001377	SCREW-MACHINE; TH,+,-,M5,L25,ZPC(WHT),SWR	SA	3
21	4	RD303	DA63-04378B	GROMMET-TRAY DISPENSER R; GUGGENHEIM,NBR,	SA	1
22	4	RD302	DA63-04377B	GROMMET-TRAY DISPENSER L; GUGGENHEIM,NBR,	SA	1
23	3	RK822	DA34-00011A	SWITCH-MICRO; VP533A-OF-5,MICRO,PBT,250V,	SA	2
24	2	RD001	DA91-03695J	ASSY DOOR FOAM FRE; GUGGENHEIM,Platinum I	SA	1
25	2		DA63-07317A	GASKET-DOOR SUB; GGH,SF-PVC,T0.4,SC-97487	SA	1
26	5	RY479	DA61-03769A	MAGNET-A; HERMES,-,5x7x18,-,-,1200Gauss	SA	1

5. fridge door

Exploded View



Parts List

No.	Lvl.	Loc.	Material Code	Description & Specification	SNA	Qty.
1	2	RE016	DA97-04568P	ASSY-GASKET DOOR REF; GUGGENHEIM,SC-9748	SA	1
2	2	RE312	DA64-02931A	TRIM-CASE HOME BAR OUT; GUGGENHEIM,ABS,-,	SA	1
3	5	RE439	DA61-04196A	STOPPER-DOOR R; GUGGENHEIM,SHP1,T3.0,-,-,	SA	1
4	5	RR007	6001-001377	SCREW-MACHINE; TH,+,-,M5,L25,ZPC(WHT),SWR	SA	3

Exploded Views and Parts List

No.	Lvl.	Loc.	Material Code	Description & Specification	SNA	Qty.
5	5	RD203	DA66-00557A	CAM HINGE-RISER UPP R; GUGGENHEIM,NY-66,-	SA	1
6	5	RE484	DA63-04400B	COVER-LATCH REF; GUGGENHEIM-PJT,ABS,-,-,-	SA	1
7	5	RQ612	DA97-07117C	ASSY-LATCH; HAEMIL,POM, BLK	SA	1
8	5	RY459	DA34-00043C	SWITCH REED-ASS'Y; 200VDC,1.5A,-	SA	1
9	5	RE053	DA63-04480A	GASKET-HOME BAR; GUGGENHEIM-PJT,SF-PVC,-,	SA	1
10	2	RT096	DA97-06534H	ASSY HOME BAR-REF; GUGGENHEIM,PLATINUM IN	SA	1
10-1	3	RO233	DA66-00144C	SHAFT-HINGE HOMEBAR; CULLINAN,STS304,-,-,	SA	1
10-2	3	RQ032	DA97-06850A	ASSY DAMPER-HOME BAR; GUGGENHEIM,-,-,-,-	SA	1
10-3	3	RE485	DA67-01958A	CAP-DAMPER HOME BAR REF; GUGGENHEIM,ABS,-	SA	1
11	2	RE028	DA97-12834A	ASSY GUARD-DAIRY; GUGGENHEIM ENERGY,GPPS,	SA	1
11-1	3	RE390	DA63-07048A	GUARD-DAIRY; GGH ENERGY A++,GPPS,Transpar	SA	1
11-2	3	RE034	DA63-07049A	COVER-DAIRY; GGH ENERGY A++,GPPS,Transpar	SA	1
13	2		DA97-12833A	ASSY GUARD-H/B RECESS; GUGGENHEIM ENERGY,	SA	1
13-1	3	RE271	DA63-00991A	GROMMET-DOOR RECESS; A-TOP,SILICON,-,-,-,	SA	2
13-2	3	RE336	DA63-04203A	COVER-DOOR RECESS REF; GUGGENHEIM,GPPS,-,	SA	1
14	2	RI161	DA97-12831A	ASSY GUARD-REF LOW; GUGGENHEIM ENERGY,GPP	SA	2
15	2	RO140	DA97-06632L	ASSY HANDLE-BAR; GUGGENHEIM,AL,T1.5,REAL	SA	1
15-1	3	RO587	DA61-03636A	STOPPER-HANDLE; CULLINAN,SK5,-,-,-,-,-	SA	4
15-2	3	RO485	DA61-03726A	SUPPORT-HANDLE; HERMES,PA66,-,NTR	SA	4
15-3	3	RO527	DA67-01673G	CAP-SUPT HANDLE; JM,ABS,-,-,-,MANHATTAN P	SA	4
15-4	3	RK011	DA67-02051A	CAP-HANDLE; GUGGENHEIM,ABS,52.0,W31.8,L17	SA	1
15-5	3		DA67-02051B	CAP-HANDLE; GGH,ABS,VICTORY GRAY	SA	1
16	2	RO170	DA97-05529C	ASSY-BRACKET HANDLE; HREMES-PJT,SWCH10A,-	SA	4
16-1	3	RO171	DA61-03725B	BRACKET-HANDLE; HERMES,SWCH10A,-,-,L31,-,	SA	4

No.	Lvl.	Loc.	Material Code	Description & Specification	SNA	Qty.
16-2	3	RJ720	DA63-03840A	GROMMET-HANDLE; HERMES,SILICON,T1,-,-,-,-	SA	4
17	2		DA97-12826A	ASSY GUARD-REF HOMEBAR UPP; GUGGENHEIM EN	SA	1