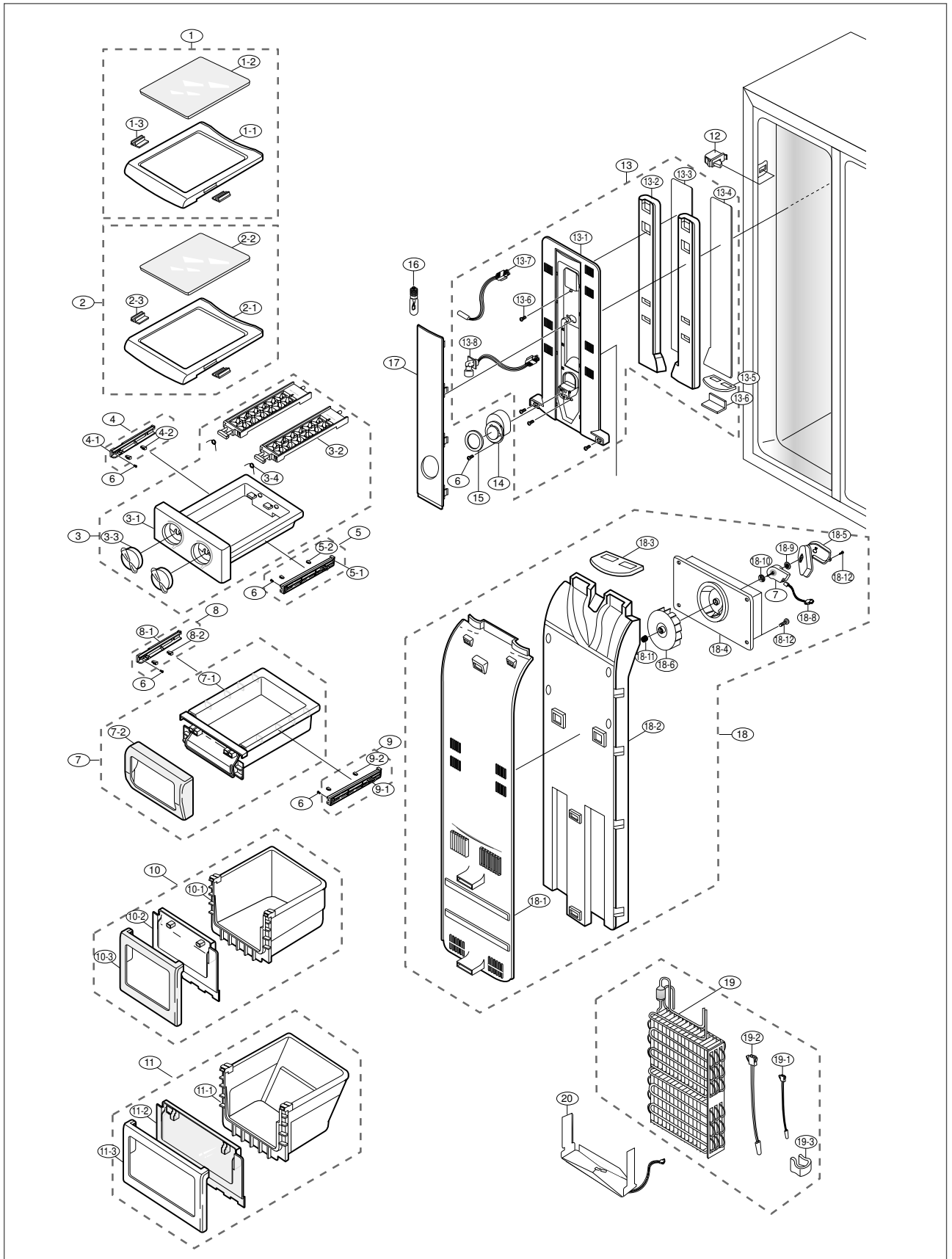


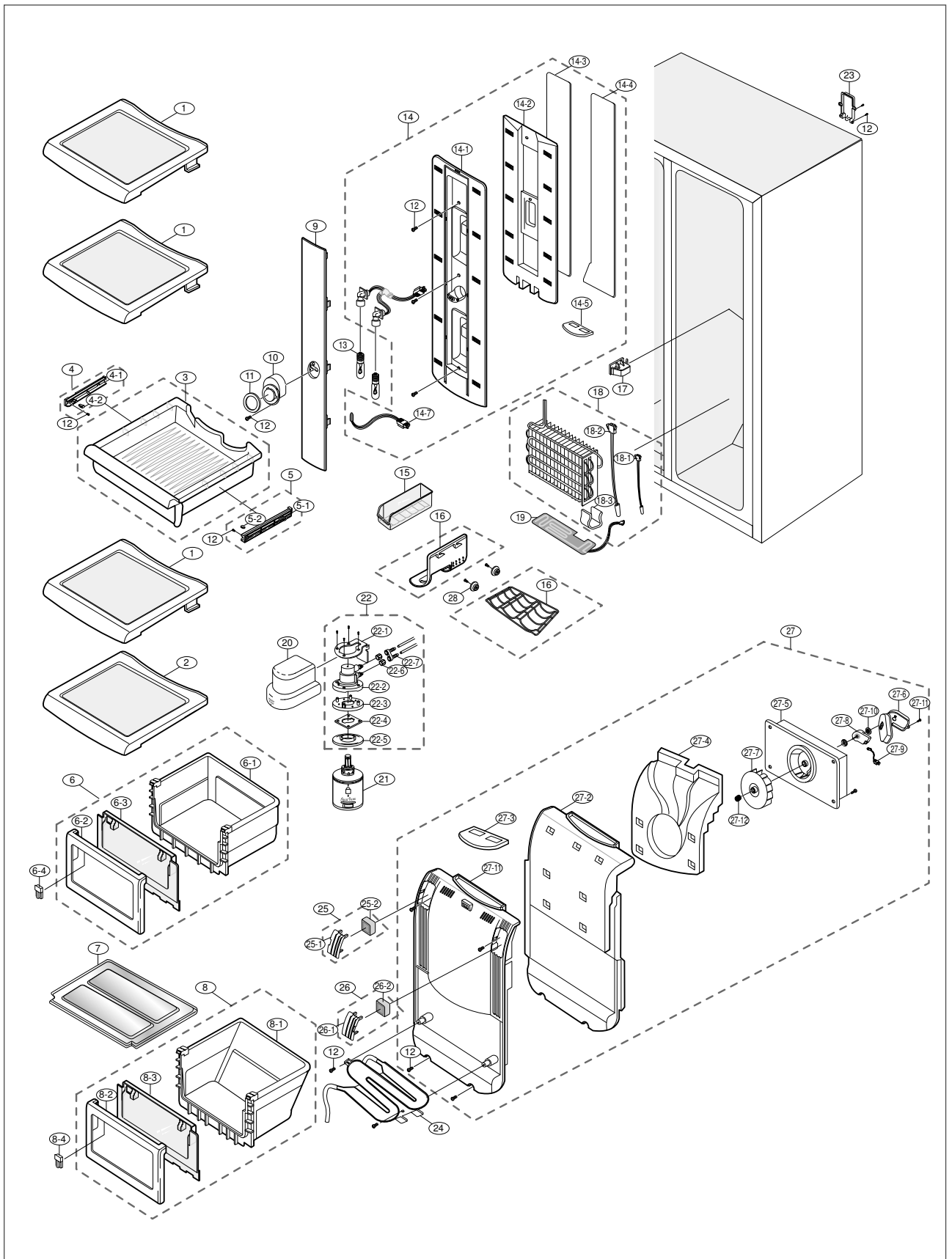
# 12 . Illustrated Parts Catalog.

## 12-1) Freezer Room Exploded View



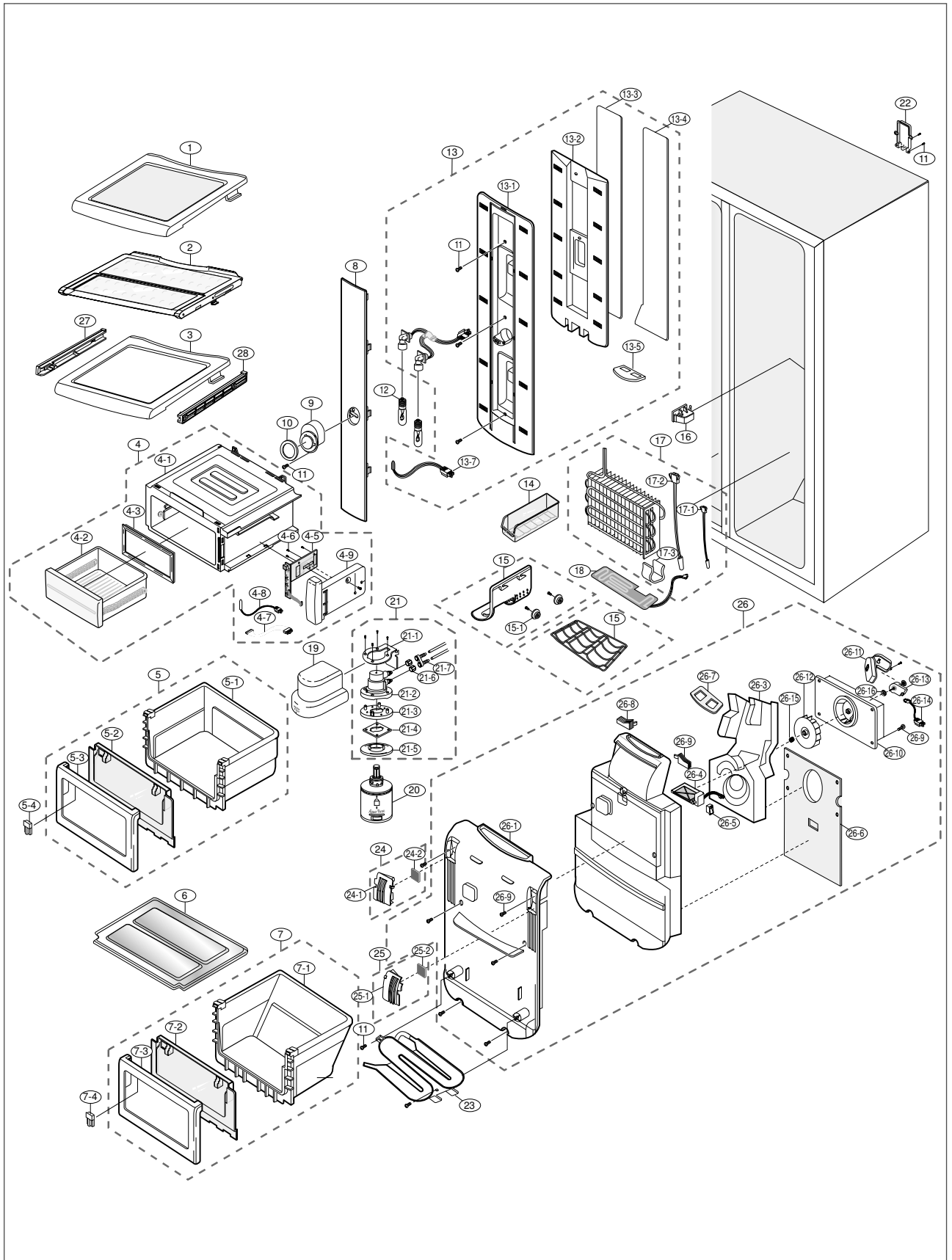
## 12 . Illustrated Parts Catalog.

### 12-2) Refrigerator Room Exploded View (RS21N, RS21H, RS21D, RS21F, RS23N, RS23H, RS23D, RS23F)



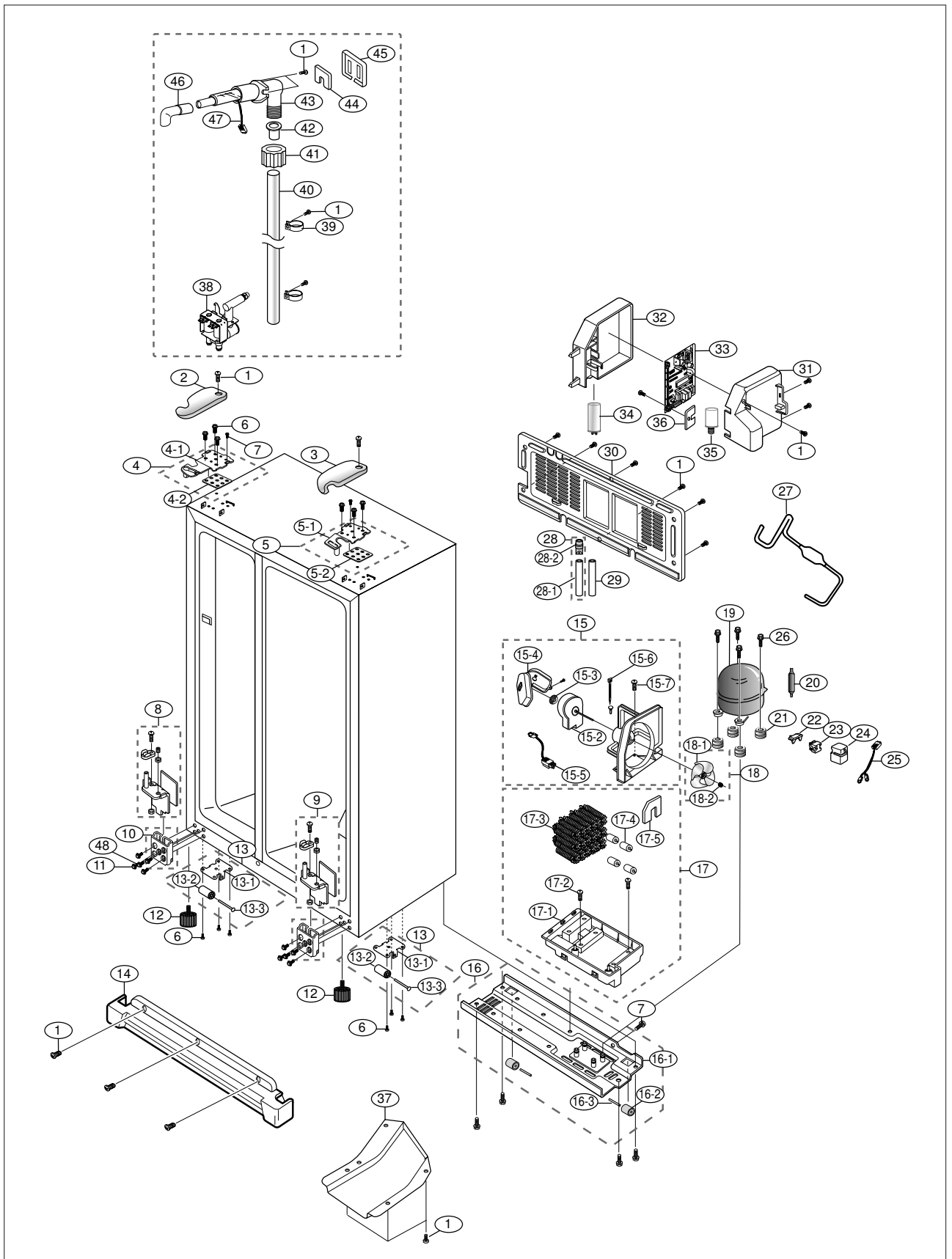
# 12 . Illustrated Parts Catalog.

## 12-3) Refrigerator Room Exploded View (RS21J, RS21K, RS23J, RS23K)



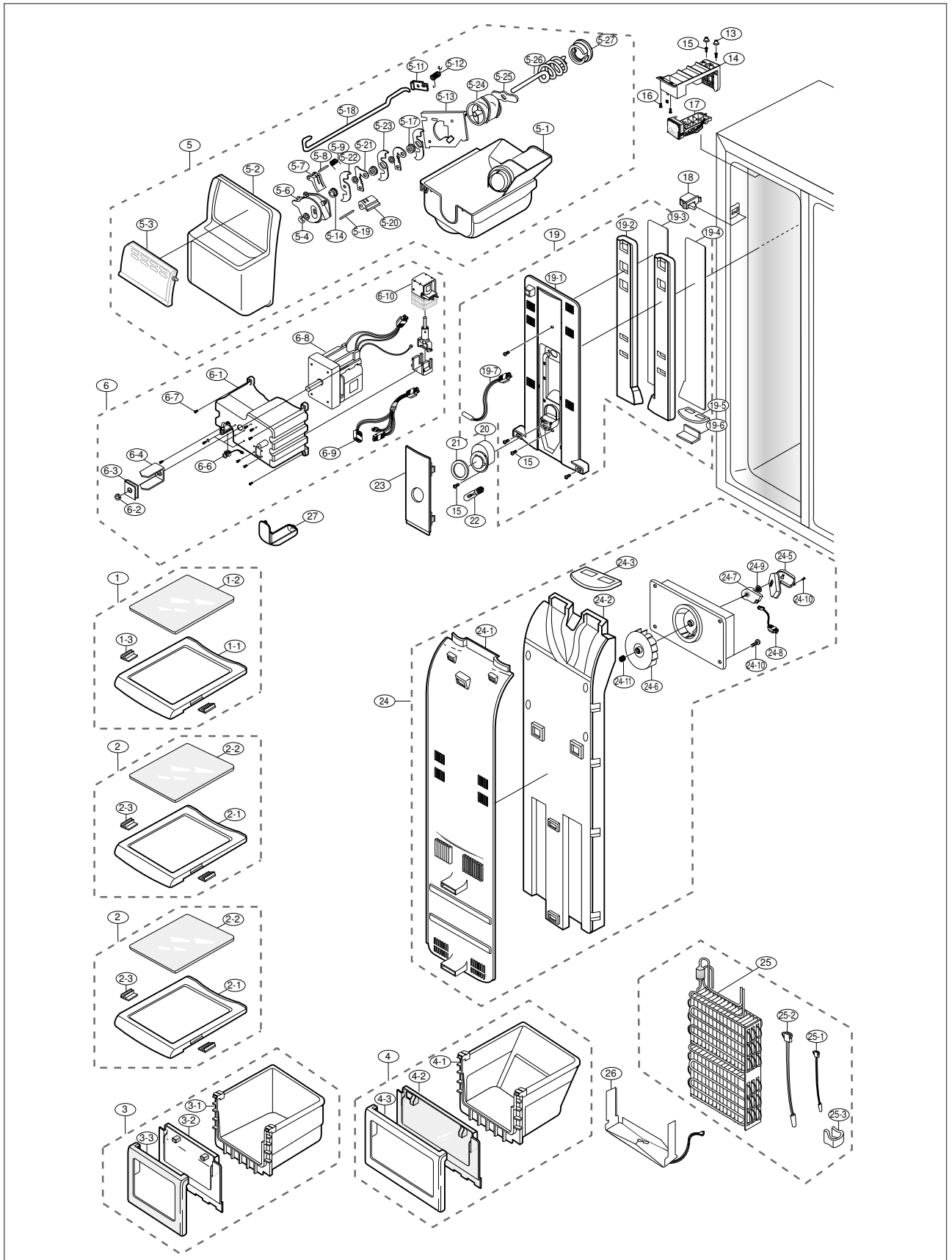
# 12 . Illustrated Parts Catalog.

## 12-4) Unit Exploded View (RS21N, RS21H, RS21D, RS21F, RS23N, RS23H, RS23D, RS23F)



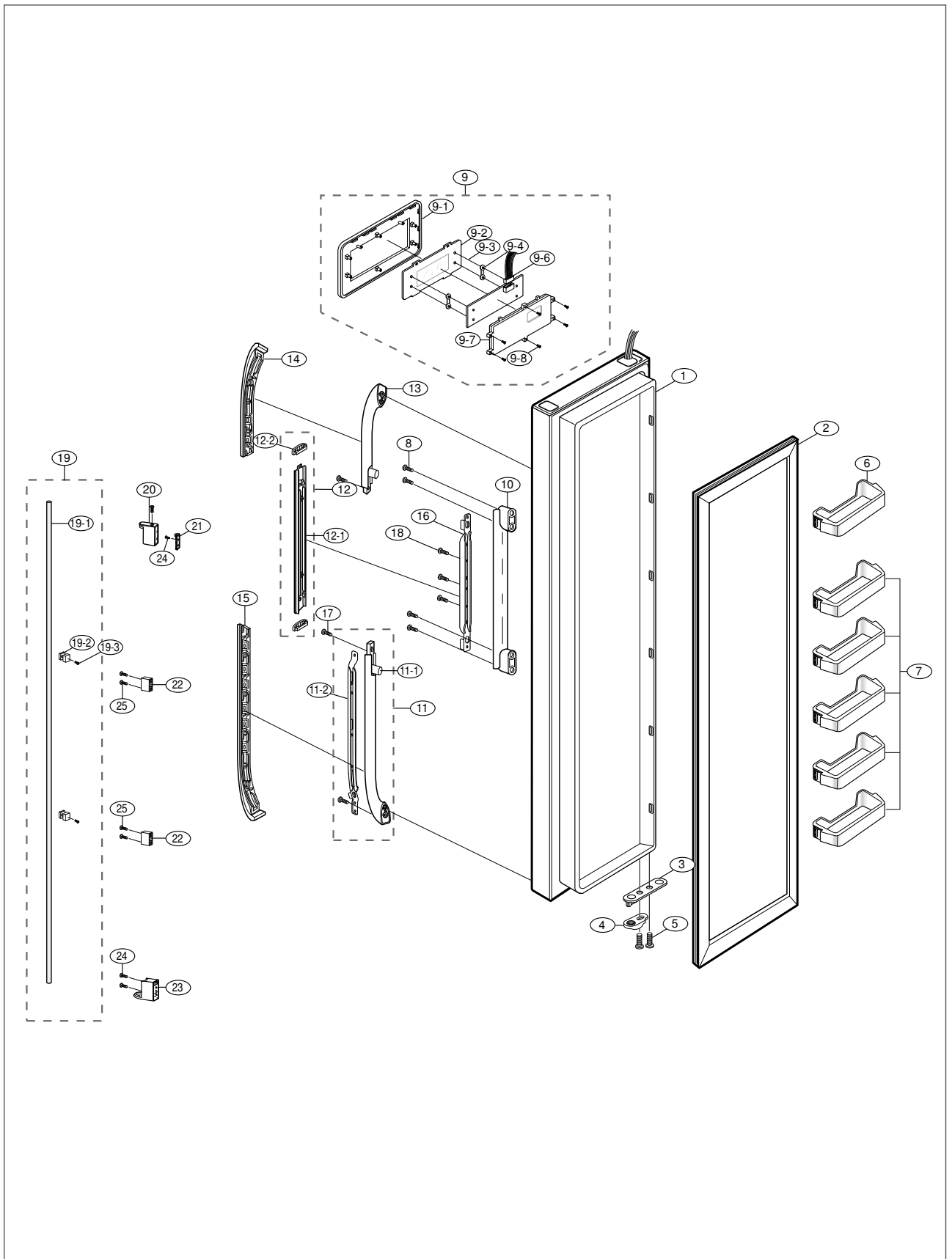
# 12 . Illustrated Parts Catalog.

## 12-5) Freezer Room Exploded View (RS21D, RS21F, RS21J, RS21K, RS23D, RS23F, RS23J, RS23K)



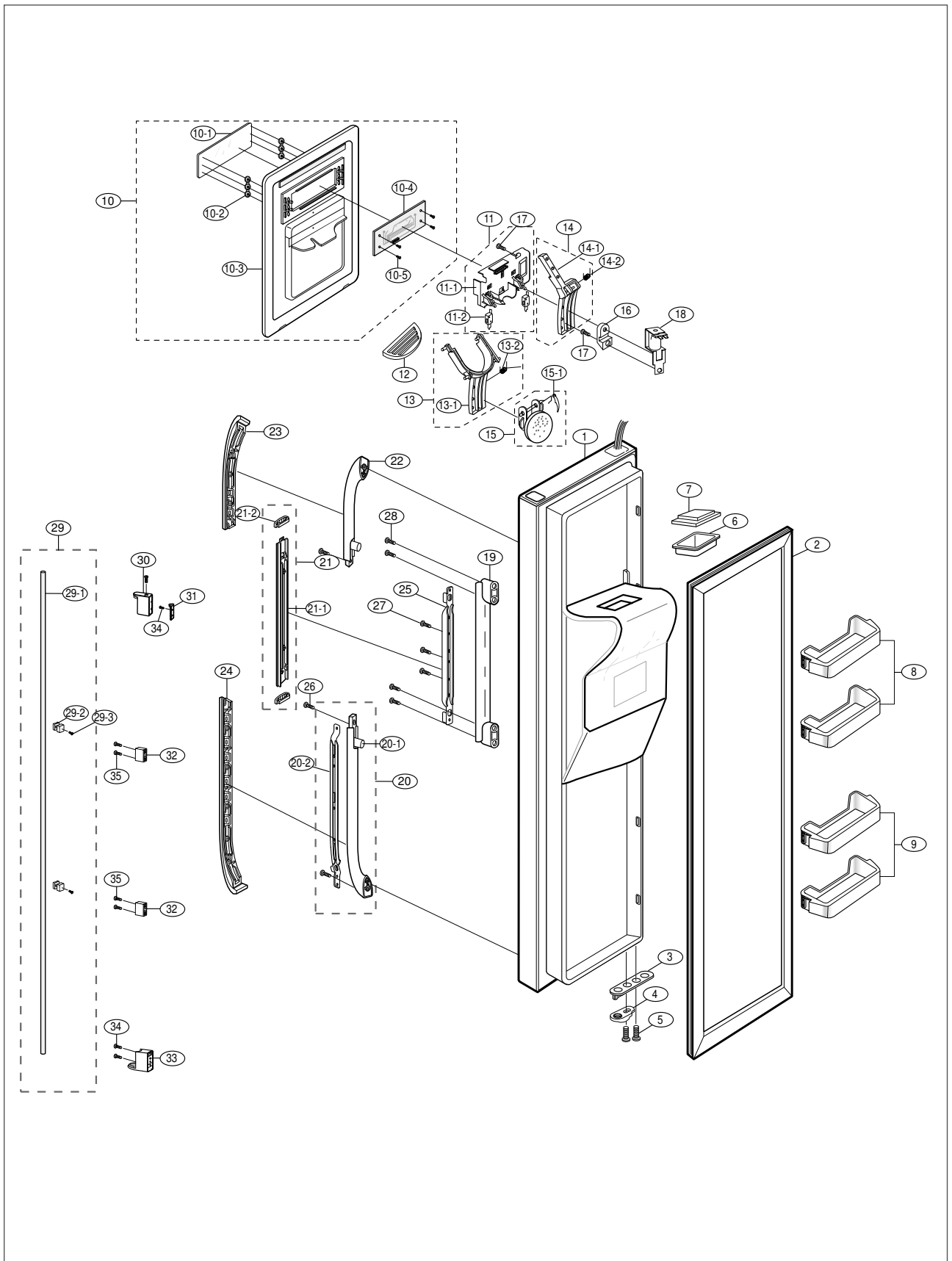
# 12 . Illustrated Parts Catalog.

## 12-6) Freezer Room Door Exploded View



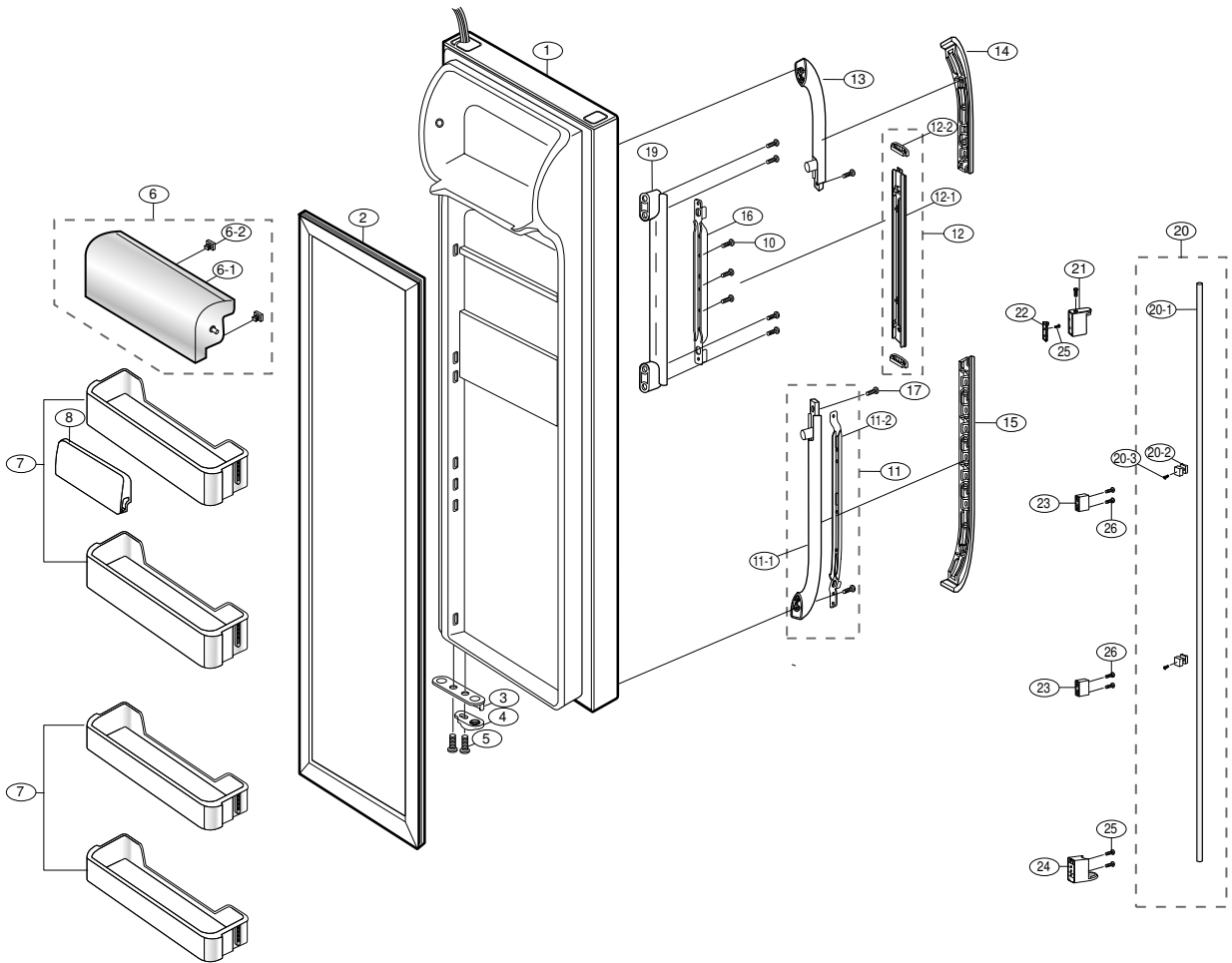
## 12 . Illustrated Parts Catalog.

### 12-7) Freezer Room Door Exploded View (RS21D, RS21F, RS21J, RS21K, RS23D, RS23F, RS23J, RS23K)



# 12 . Illustrated Parts Catalog.

## 12-8) Refrigerator Room Door Exploded View





## 12 . Illustrated Parts Catalog.

### 12-9) Refrigerator Room Door Exploded View (RS21H, RS21F, RS21K, RS23H, RS23F, RS23K)

