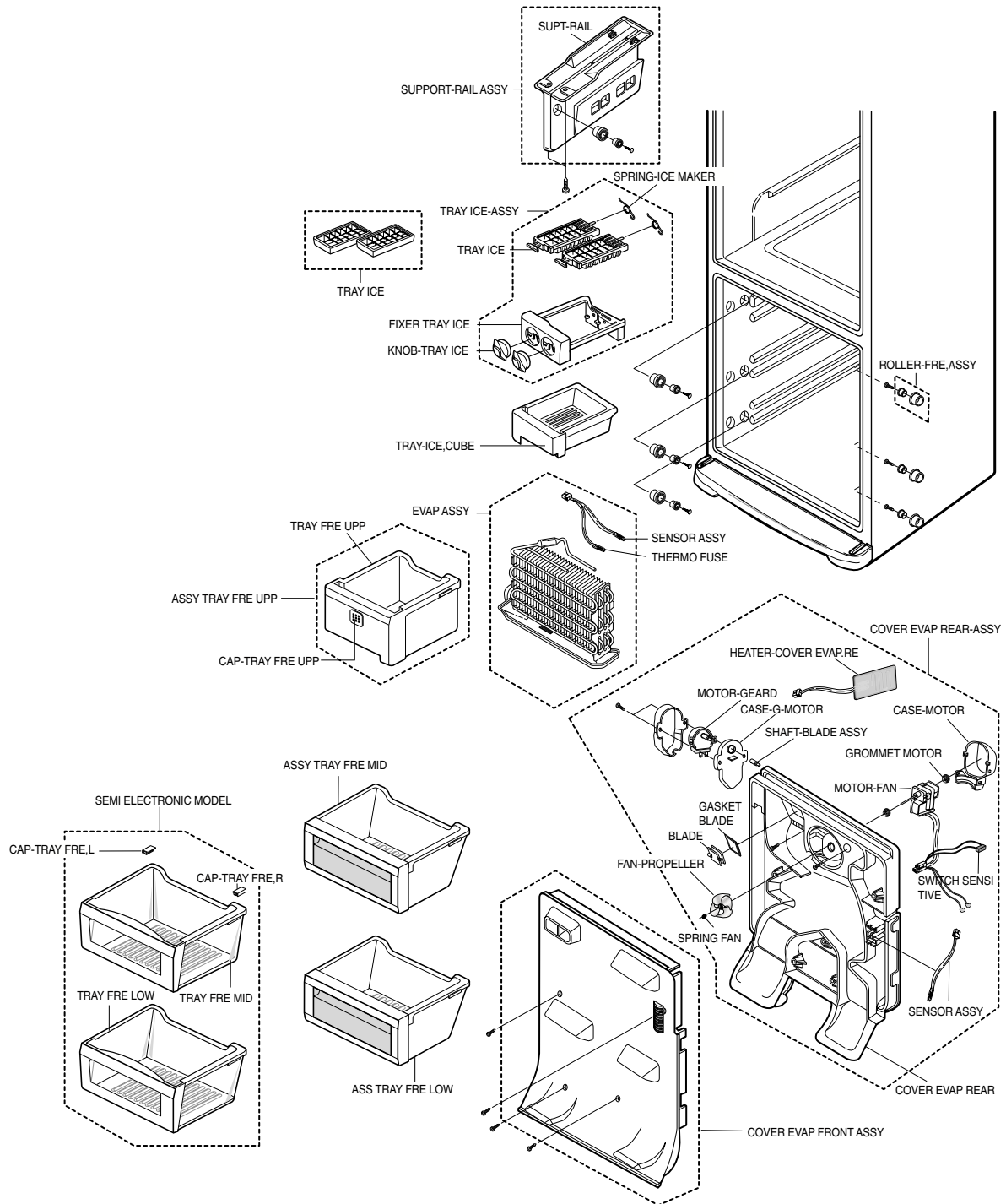
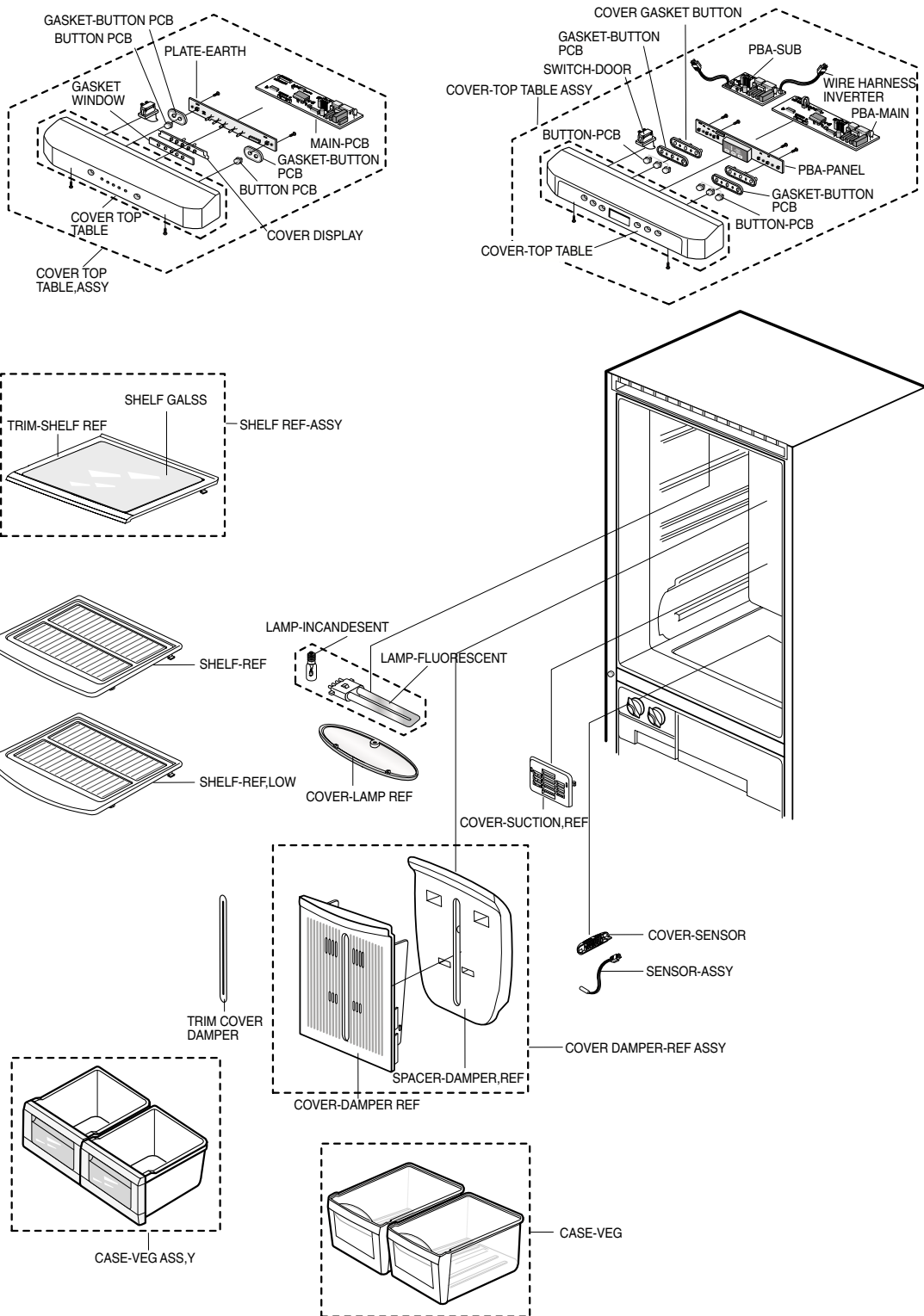


## 2. Exploded View

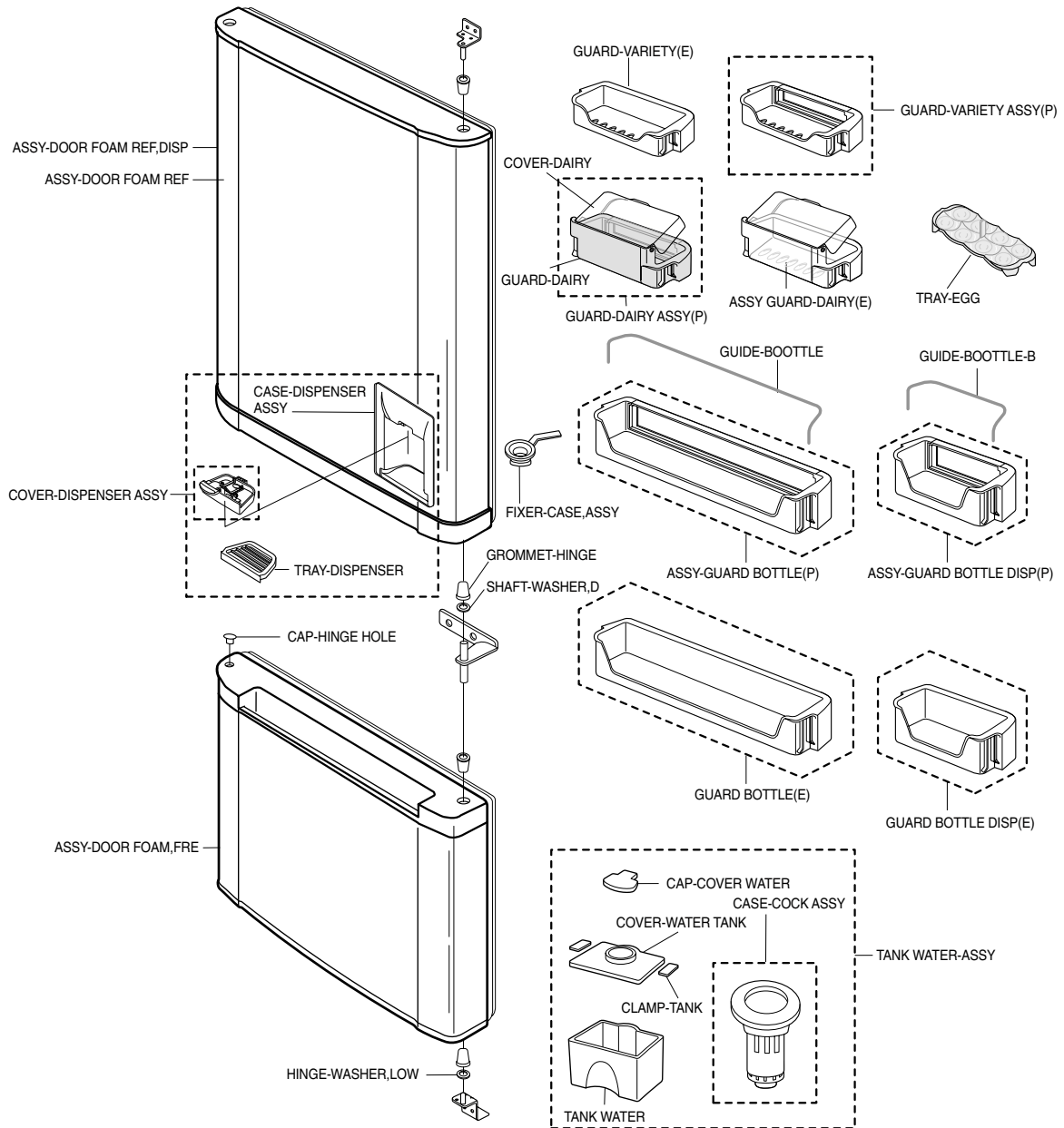
### 2-1. Freezer Compartment



## 2-2. Refrigerator Compartment



## 2-3. Door



---

## 2-4. Cabinet Parts & Unit

---

