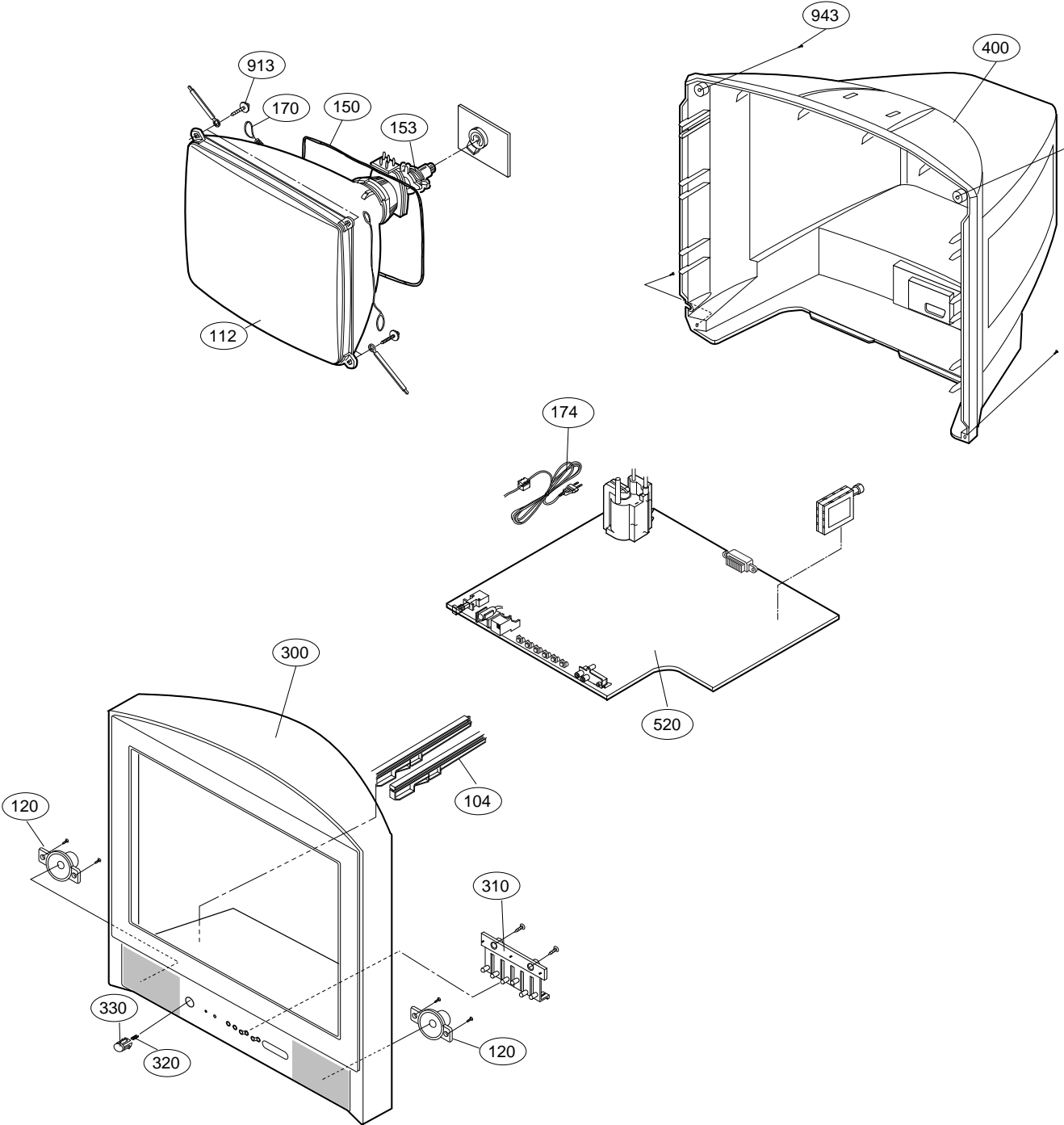


# EXPLODED VIEW



# EXPLODED VIEW PARTS LIST

The components identified by mark  $\Delta$  is critical for safety.  
Replace only with part number specified.

LOCA. NO	PART NO	DESCRIPTIONS
104	343-B40C	SUPPORTER,PCB
$\Delta$ 112	6335V21009A	CPT ASSY A51QDX992X005 0.4G 0G SDIH ZH
120	6400GESS01B	SPEAKER,FULLRANGE F27C6380-1 K-TONE
	6400GESS01A	SPEAKER,FULLRANGE C070P01K1450
121	4810V00617A	BRACKET,SPK(21FB30,LGEMA EXPORT)
$\Delta$ 150	150-D02X	COIL,DEGAUSSING CU 21" 60TURN 12 OHM D02N
$\Delta$ 170	170-A01N	CPT EARTH 21" 64T 2LUG 1P HSG
$\Delta$ 174	174-009E	POWER CORD(W/HOLD,HOUSING,L=200,4.0
300	3091V00B13A	CABINET ASSY MONO E_PHONE
	3091V00B13B	CABINET ASSY STEREO E_PHONE
310	5020V00684A	BUTTON,CONTROL(21FB30,LGEMA EXPORT)
320	320-062D	SPRING,KNOB
330	5020V00685A	BUTTON,POWER(21FB30,LGEMA EXPORT)
400	3809V00A66A	BACK COVER ASSEMBLY 1SCART LGEMA
520	6871VMMN18C	PWB ASSY,MAIN MC019A RE-21FB30MX
	6871VMMN18E	PWB ASSY,MAIN MC019A RE-21FB30MX
	6871VMMN18F	PWB ASSY,MAIN MC019A RE-21FB30M
	6871VMMN18D	PWB ASSY,MAIN MC019A RL-21FB30RX
	6871VMMN97B	PWB ASSY,MAIN MC019A RE-21FB30RX
	6871VMMN97D	PWB ASSY,MAIN MC019A RE-21FB30RX
913	332-057J	SCREW ASSY,HEXAGON HEAD
943	1PTF0403116	SCREW TRUSS HEAD D4.0 L16.0 MSWR3/FZB

The components identified by mark  $\Delta$  are critical for safety.  
Replace only with part number specified.

## REPLACEMENT PARTS LIST

LOCA. NO	PART NO	DESCRIPTION
<b>IC</b>		
IC01	0ICTMPH006C	IC,TDA9361PS/N2/4I,0793 PHILIPS 6
"	0ICTMPH010A	IC,TDA9381PS/N2/3I,0792 PHILIPS
IC02	0IMCRNS005A	IC,LM1117T-3.3 NATIONAL SEMICONDU
IC03	0IAL241600B	IC,AT24C16-10PC 8D EEPROM 16K
IC130	0IMCRSG004A	IC,L7805CV SGS-THOMSON 3PIN TO220
IC301	0ISA784070A	IC,LA7840 7S VERTICAL
IC601	0ISA701600A	IC,LA7016 8S ANALOG S/W
IC602	0ISG726600A	IC,TDA7266S 15 SIP ST
IC603	0IFA754207A	IC,KA75420ZTA
IC621	0ISG200600A	IC,TDA2006 5Z 1CHX10W AUDIO AMP.
IC661	0IIT341000J	IC,MSP3410D-C5 52P SDIP
IC662	0IFA753307A	IC,KA75330ZTA
$\Delta$ IC801	0ILI817000G	IC,LTV817M-VB 4P,DIP BK PHOTO COU
$\Delta$ IC802	0ILI817000G	IC,LTV817M-VB 4P,DIP BK PHOTO COU
$\Delta$ IC803	0ISK665413C	IC,STR-F6654R(LF1352) 5 SIP BK ST
$\Delta$ IC804	0ISK110000A	IC,SE110N(LF12) 3P 110V ERROR AMP
IC842	0IMCRUK002A	IC,S78DL05 AUK 3P,TO92 TP 5V-REGU
IC844	0IMCRKE001A	IC,KIA78R08PI KEC 4PIN,TO220IS-4
IC901	0IPH610700A	IC,TDA6107Q SIP9 BK VIDEO OUT AMP
<b>DIODE</b>		
D301	0DD400509AA	DIODE,RECTIFIERS 1N4005
D401	0DD150009CA	DIODE,RECTIFIERS RGP15J
D441	0DD060009AC	DIODE,RECTIFIERS TVR06J
D442	0DD060009AC	DIODE,RECTIFIERS TVR06J
D443	0DD060009AC	DIODE,RECTIFIERS TVR06J
D501	0DD414809ED	DIODE,1N4148 TA
D571	0DD414809ED	DIODE,1N4148 TA
D801	0DD414809ED	DIODE,1N4148 TA
D802	0DD100009AM	DIODE,RECTIFIERS EU1ZV(1)
D803	0DD414809ED	DIODE,1N4148 TA
D804	0DD360009AA	DIODE,RECTIFIERS BYW36 TP(2A/600V)
D805	0DD200009AH	DIODE,RECTIFIERS RU2AMV(1)
D806	0DD100009AM	DIODE,RECTIFIERS EU1ZV(1)
D807	0DD300009AC	DIODE,RECTIFIER RU3AMV(1)
D808	0DD060009AC	DIODE,RECTIFIERS TVR06J
D809	0DD060009AC	DIODE,RECTIFIERS TVR06J
D810	0DD060009AC	DIODE,RECTIFIERS TVR06J
D811	0DD060009AC	DIODE,RECTIFIERS TVR06J
D812	0DD060009AC	DIODE,RECTIFIERS TVR06J
D813	0DD060009AC	DIODE,RECTIFIERS TVR06J
D815	0DD420000BB	DIODE,D4L20U
D816	0DD060009AC	DIODE,RECTIFIERS TVR06J
D824	0DD420000BB	DIODE,D4L20U
D901	0DR210009AC	DIODE,RECTIFIERS BAV21 DO35 200V 0.2
D902	0DR210009AC	DIODE,RECTIFIERS BAV21 DO35 200V 0.2
D903	0DR210009AC	DIODE,RECTIFIERS BAV21 DO35 200V 0.2
D904	0DR140049AC	DIODE,RECTIFIERS 1N4004A T-81 TP
$\Delta$ DB801	0DD260000BB	DIODE,RECTIFIERS BRIDGE D2SBA60(STK)
LD01	4930V00183B	HOLDER LED MODULE ASSY . 4PIN
ZD101	0DZ510009AK	DIODE,ZENERS GDZJ5.1B TP GRANDE DO34 0.5W 5
ZD441	0DZ620009AK	DIODE,ZENERS GDZJ6.2B TP GRANDE DO34 0.5W 6
ZD442	0DZ820009BF	DIODE,ZENERS GDZJ8.2B TP GRANDE DO34 0.5W 8

LOCA. NO	PART NO	DESCRIPTION
ZD443	0DZ330009DG	DIODE,ZENERS GDZJ33B TP GRANDE DO34 0.5W 33
ZD501	0DZ820009BF	DIODE,ZENERS GDZJ8.2B TP GRANDE DO34 0.5W 8
<b>TRANSISTOR</b>		
Q01	0TR198009BA	TR,2SA1980Y TP AUK --
Q101	0TR102009AB	TR,KRC102M
Q123	0TR534309AA	TR,2SC5343Y TP AUK --
Q301	0TR198009BA	TR,2SA1980Y TP AUK --
Q402	0TRSA10002A	TR,TT2140 SANYO ST TO220F
Q442	0TR233109AA	TR,KSC2331-Y TP SAMSUNG TO-92L
Q551	0TR198009BA	TR,2SA1980Y TP AUK --
Q555	0TR534309AA	TR,2SC5343Y TP AUK --
Q571	0TR198009BA	TR,2SA1980Y TP AUK --
Q621	0TR534309AA	TR,2SC5343Y TP AUK --
Q651	0TR534309AA	TR,2SC5343Y TP AUK --
Q653	0TR198009BA	TR,2SA1980Y TP AUK --
Q671	0TR198009BA	TR,2SA1980Y TP AUK --
Q672	0TR198009BA	TR,2SA1980Y TP AUK --
Q801	0TR102009AB	TR,KRC102M,TP(KRC1202),KEC
Q802	0TR102009AB	TR,KRC102M,TP(KRC1202),KEC
Q803	0TRAU90005A	TR,AUK KOREA 2SC5342-Y
Q806	0TR102009AB	TR,KRC102M,TP(KRC1202),KEC
<b>CAPACITOR</b>		
C01	0CN1020K519	1000P 50V K B TA52
C02	0CN1030F679	10000P 16V M Y TA52
C03	0CE107DD618	100UF STD 10V M FL TP5
C04	0CC2400K415	24P 50V J NP0 TP
C05	0CC2400K415	24P 50V J NP0 TP
C07	0CE107DD618	100UF STD 10V M FL TP5
C21	0CE107DD618	100UF STD 10V M FL TP5
C51	0CN1030F679	10000P 16V M Y TA52
C102	0CE105DK618	1UF STD 50V M FL TP5
C103	0CE227DD618	220UF STD 10V M FL TP5
C107	0CE107DD618	100UF STD 10V M FL TP5
C109	0CE476DK618	47UF STD 50V M FL TP5
C113	0CN1020K519	1000P 50V K B TA52
C121	0CN1010K519	100P 50V K B TA52
C123	0CE476DF618	47UF STD 16V M FL TP5
C131	0CE107DD618	100UF STD 10V M FL TP5
C201	0CE227DD618	220UF STD 10V M FL TP5
C202	0CN4710K519	470P 50V K B TA52
C204	0CN4710K519	470P 50V K B TA52
C206	0CN4710K519	470P 50V K B TA52
C207	0CN4710K519	470P 50V K B TA52
C208	0CE226DF618	22UF STD 16V M FL TP5
C209	0CE226DF618	22UF STD 16V M FL TP5
C210	0CN1030F679	10000P 16V M Y TA52
C211	0CN1010K519	100P 50V K B TA52
C212	0CN1010K519	100P 50V K B TA52
C253	0CN1020K519	1000P 50V K B TA52
C255	0CN1020K519	1000P 50V K B TA52
C256	0CN1020K519	1000P 50V K B TA52

For Capacitor & Resistors, the characters at 2nd and 3rd digit in the P/No. means as follows;

CC, CX, CK, CN : Ceramic  
CQ : Polyester  
CE : Electrolytic

RD : Carbon Film  
RS : Metal Oxide Film  
RN : Metal Film  
RF : Fusible

The components identified by mark  $\Delta$  are critical for safety. Replace only with part number specified.

LOCA. NO	PART NO	DESCRIPTION
C257	0CN1020K519	1000P 50V K B TA52
C260	0CE226DF618	22UF STD 16V M FL TP5
C261	0CN1010K519	100P 50V K B TA52
C262	0CN1010K519	100P 50V K B TA52
C301	0CQ1041N509	0.1U 100V K POLY TP
C302	0CQ3931N509	0.0390UF 100V K PE TP
C303	0CK1810W515	180P 500V K B TS
C304	0CE107DJ618	100UF STD 35V M FL TP5
C307	0CQ6821N509	0.0068U 100V K POLY TP
C401	181-013Q	MPP 400V 0.36UF J
C402	0CE475DP618	4.7UF STD 160V 20% FL TP 5
C403	181-015E	MPP 1600V 0.0068UF H
C404	0CK8210W515	820P 500V K B TS
C405	181-091U	R 220PF 2KV 10%,-10% R/TP TP7.
C441	0CQ1531N509	0.015U 100V K POLY TP
C443	0CE477DH618	470UF STD 25V M FL TP5
C444	0CE475DR618	4.7UF STD 250V 20% FL TP 5
C446	0CE477DH618	470UF STD 25V M FL TP5
C447	0CQ3321N509	0.0033U 100V K POLY TP
C449	181-009V	PP 200V 0.047UF K
C452	0CE106DK618	10UF STD 50V M FL TP5
C501	0CF2241L438	0.22UF D 63V 5% TP 5 M/PE NI
C502	0CN1030F679	10000P 16V M Y TA52
C503	0CE107DD618	100UF STD 10V M FL TP5
C504	0CE225DK618	2.2UF STD 50V 20% FL TP 5
C505	0CQ2221N509	0.0022U 100V K POLY TP
C506	0CE105DK618	1UF STD 50V M FL TP5
C507	0CQ2221N509	0.0022U 100V K POLY TP
C509	0CE106DF618	10UF STD 16V M FL TP5
C511	0CE105DK618	1UF STD 50V M FL TP5
C512	0CN1020K519	1000P 50V K B TA52
C513	0CN1020K519	1000P 50V K B TA52
C516	0CQ2721N409	0.0027M 100V J POLY TP
C517	0CE106DF618	10UF STD 16V M FL TP5
C518	0CN1030F679	10000P 16V M Y TA52
C519	0CF1041N450	0.1UF D 100V 5% BULK PP NI
C524	0CN1030F679	10000P 16V M Y TA52
C529	0CE225CK636	2.2UF SHL,SD 50V 20% FM5 BP(D)
C531	0CN1020K519	1000P 50V K B TA52
C532	0CE225DK618	2.2UF STD 50V 20% FL TP 5
C534	0CN1030F679	10000P 16V M Y TA52
C535	0CN1010K519	100P 50V K B TA52
C538	0CF4741L438	0.47UF D 63V 5% TP 5 M/PE NI
C540	0CN2230H949	22000P 25V Z FTA52
C541	0CN2230H949	22000P 25V Z FTA52
C542	0CN2230H949	22000P 25V Z FTA52
C548	0CN8210K519	820P 50V K B TA52
C549	0CQ4721N509	0.0047U 100V K POLY TP
C553	0CN1030F679	10000P 16V M Y TA52
C561	0CE107DD618	100UF STD 10V M FL TP5
C573	0CE107DF618	100UF STD 16V M FL TP5
C574	0CQ1021N509	0.001U 100V K POLY TP

LOCA. NO	PART NO	DESCRIPTION
C594	0CQ1041N509	0.1U 100V K POLY TP
C601	0CE226DF618	22UF STD 16V M FL TP5
C602	0CF2241L438	0.22UF D 63V 5%
C603	0CQ4721N509	0.0047U 100V K POLY TP
C605	0CQ4721N509	0.0047U 100V K POLY TP
C606	0CF2241L438	0.22UF D 63V 5%
C607	0CN1030F679	10000P 16V M Y TA52
C612	0CE477DJ618	470UF STD 35V 20% FL TP 5
"	0CE477DH618	470UF STD 25V M FL TP 5
C621	0CQ6821N509	0.0068U 100V K POLY TP
C622	0CE225DK618	2.2UF STD 50V 20% FL TP 5
C623	0CE106DH618	10UF STD 25V M FL TP5
C624	0CE477DJ618	470UF STD 35V 20% FL TP 5
C625	0CQ1041N509	0.1U 100V K POLY TP
C626	0CE226DK618	22UF STD 50V M FL TP5
C661	0CX4700K409	47P 50V J SL TA52
C662	0CX4700K409	47P 50V J SL TA52
C663	0CE227DD618	220UF STD 10V M FL
C664	0CN1030F679	10000P 16V M Y TA52
C665	0CN1030F679	10000P 16V M Y TA52
C666	0CE335DK618	3.3UF STD 50V 20%
C667	0CN3320F569	3300P 16V K X
C668	0CN3320F569	3300P 16V K X
C669	0CE226DF618	22UF STD 16V M
C670	0CE106DF618	10UF STD 16V M
C671	0CE107DD618	100UF STD 10V M
C672	0CE106DF618	10UF STD 16V M
C673	0CN1030F679	10000P 16V M Y TA52
C674	0CN1030F679	10000P 16V M Y TA52
C675	0CE106DF618	10UF STD 16V M
C678	0CF3341L438	0.33UF D 63V 5%
C679	0CF3341L438	0.33UF D 63V 5%
C680	0CN1030F679	10000P 16V M Y TA52
C681	0CE106DF618	10UF STD 16V M
C682	181-007G	ECQ-V1H334JL3
C683	0CQ6821N509	0.0068U 100V K
C684	0CN1030F679	10000P 16V M Y TA52
C685	0CE106DF618	10UF STD 16V M
C686	0CX5600K409	56P 50V J SL
C687	0CX5600K409	56P 50V J SL
C688	0CX5600K409	56P 50V J SL
C689	0CC0200K115	2P 50V D
C690	0CC0200K115	2P 50V D
C801	0CE107BJ618	100UF KME 35V M FL TP5
C802	181-091U	R 220PF 2KV 10%,-10% R/TP TP7.
C803	0CK4710W515	470PF 500V K B TR
C804	0CQ1041N509	0.1U 100V K POLY TP
$\Delta$ C806	181-001V	CE 450V 220UF M LUG(85)
C807	0CK10201515	1000P 1KV K B TS
C808	0CK10201515	1000P 1KV K B TS
$\Delta$ C809	0CQZVBK002C	A.C 275V 0.22UF K (S=22.5)
$\Delta$ C811	181-120K	2200PF 4KV M E FMTW LEAD 4.5

The components identified by mark  $\Delta$  are critical for safety. Replace only with part number specified.

For Capacitor & Resistors, the characters at 2nd and 3rd digit in the P/No. means as follows:  
 CC, CX, CK, CN : Ceramic  
 CQ : Polyester  
 CE : Electrolytic  
 RD : Carbon Film  
 RS : Metal Oxide Film  
 RN : Metal Film  
 RF : Fusible

LOCA. NO	PART NO	DESCRIPTION
$\Delta$ C812	0CE477DJ618	470UF STD 35V 20% FL TP 5
C813	0CK4710W515	470PF 500V K B TR
C814	0CK1020W515	1000P 500V K B
C815	0CK4710W515	470PF 500V K B TR
C816	0CN1030F679	10000P 16V M Y TA52
C817	0CK4710W515	470PF 500V K B TR
C818	0CE107BH618	100UF KME 25V M FL TP5
C819	181-091Y	R 680PF 2KV 10%,-10% R/TP TP7.
C820	0CE227DP650	220UF STD 160V M FM7.5 BULK
C821	181-120N	1000PF 4KV M E FMTW LEAD4.5
C823	0CK4710K515	470PF 50V K B TR
C824	0CK1020W515	1000P 500V K B
C825	181-091P	SL 270PF 1KV 10%,-10% R/TP TP5
C826	0CE477DH618	470UF STD 25V M
C828	0CE107DF618	100UF STD 16V M FL TP5
C829	0CF1021047A	1000PF D 800V 5% TP 7.5 M/PP N
C830	0CE475DK618	4.7UF STD 50V 20% FL TP 5
C831	0CE108BF618	1000UF KME 16V M FL TP5
C832	181-091P	SL 270PF 1KV 10%,-10% R/TP TP5
C834	0CE476CP618	47UF SHL,SD 160V 20% FL TP 5
C835	0CE107DF618	100UF STD 16V M FL TP5
C841	0CE477DD618	470UF STD 10V M FL TP5
C901	0CE475DR618	4.7UF STD 250V 20% FL TP 5
C902	0CQ1044R539	0.1UF TE 250V K M/PE NI TP5
C903	0CK12202510	1200P 2KV K B S
C904	0CE475DR618	4.7UF STD 250V 20% FL TP 5
C905	0CN5610K519	560P 50V K B TA52
R655	0CN1030F679	10000P 16V M Y
<b>COIL &amp; TRANSFORMER</b>		
J57	0LA0102K119	INDUCTOR,10UH K 2.3*3.4 TP
J136	0LA0102K119	INDUCTOR,10UH K 2.3*3.4 TP
L04	0LA1000K119	INDUCTOR,100UH K 2.3*3.4 TP
L05	0LA0102K119	INDUCTOR,10UH K 2.3*3.4 TP
L202	0LA0102K119	INDUCTOR,10UH K 2.3*3.4 TP
L203	0LA0102K119	INDUCTOR,10UH K 2.3*3.4 TP
L204	0LA0102K119	INDUCTOR,10UH K 2.3*3.4 TP
L205	0LA0102K119	INDUCTOR,10UH K 2.3*3.4 TP
L251	0LA0102K119	INDUCTOR,10UH K 2.3*3.4 TP
L252	0LA0102K119	INDUCTOR,10UH K 2.3*3.4 TP
L253	0LA0472K119	INDUCTOR,47UH K 2.3*3.4 TP
L254	0LA0472K119	INDUCTOR,47UH K 2.3*3.4 TP
L401	6140VE0001V	COIL,LINEARITY 60UH 0.6PHY 69.5TURN
L402	6140VB0001F	COIL,CHOKE 130UH 0.45PHY 55.5TURN
L501	0LA0102K119	INDUCTOR,10UH K 2.3*3.4 TP
L502	0LA0102K119	INDUCTOR,10UH K 2.3*3.4 TP
L503	0LA0102K119	INDUCTOR,10UH K 2.3*3.4 TP
L506	0LA0102K119	INDUCTOR,10UH K 2.3*3.4 TP
L611	0LA0102K049	INDUCTOR,10UH 10%
L661	0LA0102K119	INDUCTOR,10UH K 2.3*3.4 TP
L662	0LA0102K119	INDUCTOR,10UH K 2.3*3.4 TP
L663	0LA0102K119	INDUCTOR,10UH K 2.3*3.4 TP

LOCA. NO	PART NO	DESCRIPTION
L801	150-C02F	COIL,CHOKE 82UH PHY TURN
L901	150-C02A	COIL,CHOKE 10UH PHY TURN
R443	0LA0101K119	INDUCTOR,1.0UH K 2.3*3.4 TP
R545	0LA0681K119	INDUCTOR,6.8UH K 2.3*3.4 TP
R546	0LA0681K119	INDUCTOR,6.8UH K 2.3*3.4 TP
R547	0LA0681K119	INDUCTOR,6.8UH K 2.3*3.4 TP
$\Delta$ T401	6174V-6006E	FBT BSC23-N0107 20"/21" YINYANG 61
$\Delta$ T402	6170VC0003A	TRANSFORMER,H-DRIVER DRUM 10MM
$\Delta$ T802	6170VMCB01L	TRANSFORMER,SMPS EER3940 500UH MC019A,MONO-ONLY
"	6170VMCB01K	TRANSFORMER,SMPS EER4215 340UH MC019A
T803	151-D02F	TRANSFORMER,EI-2519
<b>CONNECTOR</b>		
P301	366-043K	CONNECTOR (CIRC),PLUG(4P)
P802	366-043B	CONNECTOR (CIRC),ASSY,PLUG(2P)
P902	387-603E	CONNECTOR ASSY 9PIN (IL-J)
P903	366-009D	CONNECTOR (CIRC),2.36PAI 1P
<b>RESISTOR</b>		
C546	0RD1103F609	110K OHM 1/6 W 5.00% TA52
D813	0RS0272H609	27 OHM 1/2 W 5.00% TA52
FR441	0RF0470J607	0.47 OHM 1 W 5.00% TA62
$\Delta$ FR442	0RF0151J607	1.5 OHM 1 W 5.00% TA62
$\Delta$ FR443	0RF0470J607	0.47 OHM 1 W 5.00% TA62
$\Delta$ FR802	0RF0470H609	0.47 OHM 1/2 W 5.00% TA52
FR803	0RF0470K607	0.47 OHM 2 W 5.00% TA62
FR901	0RF0151J607	1.5 OHM 1 W 5.00% TA62
J30	0RD2200F609	220 OHM 1/6 W 5.00% TA52
J33	0RD2200F609	220 OHM 1/6 W 5.00% TA52
J39	0RD2200F609	220 OHM 1/6 W 5.00% TA52
J67	0RD1001F609	1K OHM 1/6 W 5.00% TA52
J69	0RD1000F609	100 OHM 1/6 W 5.00% TA52
J101	0RD1002F609	10K OHM 1/6 W 5.00% TA52
J149	0RD1001F609	1K OHM 1/6 W 5.00% TA52
J154	0RD6800F609	680 OHM 1/6 W 5.00% TA52
L01	0RD1500F609	150 OHM 1/6 W 5.00% TA52
L10	0RD0102F609	10 OHM 1/6 W 5.00% TA52
L210	0RD0101F609	1 OHM 1/6 W 5.00% TA52
R01	0RD1002F609	10K OHM 1/6 W 5.00% TA52
R03	0RD1000F609	100 OHM 1/6 W 5.00% TA52
R04	0RD3301F609	3.3K OHM 1/6 W 5.00% TA52
R05	0RD3301F609	3.3K OHM 1/6 W 5.00% TA52
R06	0RD4701F609	4.7K OHM 1/6 W 5.00% TA52
R07	0RD4701F609	4.7K OHM 1/6 W 5.00% TA52
R09	0RD1000F609	100 OHM 1/6 W 5.00% TA52
R10	0RD1000F609	100 OHM 1/6 W 5.00% TA52
R13	0RD1000F609	100 OHM 1/6 W 5.00% TA52
R14	0RD1603F609	160K OHM 1/6 W 5.00% TA52
R15	0RD1001F609	1K OHM 1/6 W 5.00% TA52
R16	0RD4701F609	4.7K OHM 1/6 W 5.00% TA52
R18	0RD1203F609	120K OHM 1/6 W 5.00% TA52
R21	0RD2201F609	2.2K OHM 1/6 W 5.00% TA52

For Capacitor & Resistors, the characters at 2nd and 3rd digit in the P/No. means as follows;

CC, CX, CK, CN : Ceramic  
CQ : Polyester  
CE : Electrolytic

RD : Carbon Film  
RS : Metal Oxide Film  
RN : Metal Film  
RF : Fusible

The components identified by mark  $\Delta$  are critical for safety.  
Replace only with part number specified.

LOCA. NO	PART NO	DESCRIPTION
R22	ORD3902F609	39K OHM 1/6 W 5.00% TA52
R23	ORD2200F609	220 OHM 1/6 W 5.00% TA52
R25	ORD1201F609	1.2K OHM 1/6 W 5.00% TA52
R26	ORD1601F609	1.6K OHM 1/6 W 5.00% TA52
R27	ORD3601F609	3.6K OHM 1/6 W 5.00% TA52
R29	ORD1201F609	1.2K OHM 1/6 W 5.00% TA52
R51	ORD1000F609	100 OHM 1/6 W 5.00% TA52
R52	ORD1000F609	100 OHM 1/6 W 5.00% TA52
R105	ORD1000F609	100 OHM 1/6 W 5.00% TA52
R106	ORD1000F609	100 OHM 1/6 W 5.00% TA52
R107	ORS0272J607	27 OHM 1 W 5.00% TA62
R121	ORD1001F609	1K OHM 1/6 W 5.00% TA52
R122	ORD1001F609	1K OHM 1/6 W 5.00% TA52
R132	ORD1000F609	100 OHM 1/6 W 5.00% TA52
R133	ORD1001F609	1K OHM 1/6 W 5.00% TA52
R134	ORD0102F609	10 OHM 1/6 W 5.00% TA52
R201	ORD0682F609	68 OHM 1/6 W 5.00% TA52
R204	ORD0752F609	75 OHM 1/6 W 5.00% TA52
R205	ORD0822F609	82 OHM 1/6 W 5.00% TA52
R206	ORD0822F609	82 OHM 1/6 W 5.00% TA52
R207	ORD0822F609	82 OHM 1/6 W 5.00% TA52
R208	ORD1001F609	1K OHM 1/6 W 5.00% TA52
R251	ORD0822F609	82 OHM 1/6 W 5.00% TA52
"	OR0752F609	75 OHM 1/6 W 5.00% TA52
R254	ORD2200A609	220 OHM 1/2 W (7.0) 5.00% TA52
R255	ORD2200A609	220 OHM 1/2 W (7.0)5.00% TA52
R301	ORD0101F609	1 OHM 1/6 W 5.00% TA52
R302	ORN1501F409	1.5K OHM 1/6 W 1.00% TA52
R304	ORD0221A609	2.2 OHM 1/2 W(7.0) 5.00% TA52
R305	ORD0221A609	2.2 OHM 1/2 W(7.0) 5.00% TA52
R306	ORS2700K607	270 OHM 2 W 5.00% TA62
R307	ORD1501F609	1.5K OHM 1/6 W 5.00% TA52
R310	ORD1801F609	1.8K OHM 1/6 W 5.00% TA52
R311	ORD4701A609	4.7K OHM 1/2 W(7.0) 5.00% TA52
R312	ORD2201F609	2.2K OHM 1/6 W 5.00% TA52
R313	ORD1002F609	10K OHM 1/6 W 5.00% TA52
R401	ORD1501A609	1.5K OHM 1/2 W(7.0) 5.00% TA52
R402	ORS2702K607	27K OHM 2 W 5.00% TA62
R442	ORD5100A609	510 OHM 1/2 W(7.0) 5.00% TA52
R444	ORD0392A609	39 OHM 1/2 W(7.0) 5.00% TA52
R446	ORD1001F609	1K OHM 1/6 W 5.00% TA52
R447	ORD2401F609	2.4K OHM 1/6 W 5.00% TA52
R450	ORD4701A609	4.7K OHM 1/2 W(7.0) 5.00% TA52
R451	ORD1200A609	120 OHM 1/2 W(7.0) 5.00% TA52
R453	ORS5602H609	56K OHM 1/2 W 5.00% TA52
R455	ORS2702K607	27K OHM 2 W 5.00% TA62
R456	ORS2202H609	22K OHM 1/2 W 5.00% TA52
R501	ORD2202F609	22K OHM 1/6 W 5.00% TA52
R502	ORD1002F609	10K OHM 1/6 W 5.00% TA52
R504	ORN3902F409	39K OHM 1/6 W 1.00% TA52
R506	ORD1001F609	1K OHM 1/6 W 5.00% TA52
R518	ORD3302F609	33K OHM 1/6 W 5.00% TA52

LOCA. NO	PART NO	DESCRIPTION
R521	ORD1000F609	100 OHM 1/6 W 5.00% TA52
R522	ORD2702F609	27K OHM 1/6 W 5.00% TA52
R523	ORD1003F609	100K OHM 1/6 W 5.00% TA52
R524	ORD3001F609	3K OHM 1/6 W 5.00% TA52
R537	ORD1000F609	100 OHM 1/6 W 5.00% TA52
R538	ORD1000F609	100 OHM 1/6 W 5.00% TA52
R539	ORD1000F609	100 OHM 1/6 W 5.00% TA52
R540	ORD1000F609	100 OHM 1/6 W 5.00% TA52
R542	ORD1002F609	10K OHM 1/6 W 5.00% TA52
R544	ORD2701F609	2.7K OHM 1/6 W 5.00% TA52
R551	ORD2200F609	220 OHM 1/6 W 5.00% TA52
R552	ORD2200F609	220 OHM 1/6 W 5.00% TA52
R558	ORD4701F609	4.7K OHM 1/6 W 5.00% TA52
R559	ORD1800F609	180 OHM 1/6 W 5.00% TA52
R572	ORD5600F609	560 OHM 1/6 W 5.00% TA52
R573	ORD2403F609	240K OHM 1/6 W 5.00% TA52
R601	ORD4701F609	4.7K OHM 1/6 W 5.00% TA52
R602	ORD1002F609	10K OHM 1/6 W 5.00% TA52
R604	ORD1201F609	1.2K OHM 1/6 W 5.00% TA52
R606	ORD7501F609	7.5K OHM 1/6 W 5.00% TA52
R608	ORD1201F609	1.2K OHM 1/6 W 5.00% TA52
R609	ORD7501F609	7.5K OHM 1/6 W 5.00% TA52
R610	ORD4702F609	47K OHM 1/6 W 5.00% TA52
R611	ORD4702F609	47K OHM 1/6 W 5.00% TA52
R621	ORD9102F609	91K OHM 1/6 W 5.00% TA52
R622	ORD6801F609	6.8K OHM 1/6 W 5.00% TA52
R623	ORD1003F609	100K OHM 1/6 W 5.00% TA52
R624	ORD1003F609	100K OHM 1/6 W 5.00% TA52
R625	ORD1003F609	100K OHM 1/6 W 5.00% TA52
R626	ORD5601F609	5.6K OHM 1/6 W 5.00% TA52
R627	ORD3601F609	3.6K OHM 1/6 W 5.00% TA52
R628	ORD0331H609	3.3 OHM 1/2 W 5.00% TA52
R651	ORD4700F609	470 OHM 1/6 W 5.00% TA52
R652	ORD3300F609	330 OHM 1/6 W 5.00% TA52
R657	ORD4300F609	430 OHM 1/6 W 5.00% TA52
R660	ORD4702F609	47K OHM 1/6 W 5.00% TA52
R662	ORD1000F609	100 OHM 1/6 W 5.00% TA52
R663	ORD1000F609	100 OHM 1/6 W 5.00% TA52
R664	ORD1002F609	10K OHM 1/6 W 5.00% TA52
R665	ORD3901F609	3.9K OHM 1/6 W 5.00% TA52
R666	ORD3901F609	3.9K OHM 1/6 W 5.00% TA52
R667	ORD0102F609	10 OHM 1/6W 5
R670	ORD1001F609	1K OHM 1/6 W 5.00% TA52
R671	ORD1001F609	1K OHM 1/6 W 5.00% TA52
R672	ORD1000F609	100 OHM 1/6 W 5.00% TA52
R801	ORD2701F609	2.7K OHM 1/6 W 5.00% TA52
R802	ORD2201F609	2.2K OHM 1/6 W 5.00% TA52
R803	ORD1001F609	1K OHM 1/6 W 5.00% TA52
R804	ORD4701F609	4.7K OHM 1/6 W 5.00% TA52
R805	180-A01M	0.22 OHM 2 W 5% TA62 RW ROUND
"	180-A01P	0.13 OHM 2 W 5% TA62 RW ROUN
R806	ORD2401F609	2.4K OHM 1/6 W 5.00% TA52

The components identified by mark  $\Delta$  are critical for safety. Replace only with part number specified.

For Capacitor & Resistors, the characters at 2nd and 3rd digit in the P/No. means as follows;  
 CC, CX, CK, CN : Ceramic  
 CQ : Polyester  
 CE : Electrolytic  
 RD : Carbon Film  
 RS : Metal Oxide Film  
 RN : Metal Film  
 RF : Fusible

LOCA. NO	PART NO	DESCRIPTION
R807	ORD4701F609	4.7K OHM 1/6 W 5.00% TA52
R808	ORD4701F609	4.7K OHM 1/6 W 5.00% TA52
R809	ORS4702K607	47K OHM 2 W 5.00% TA62
R810	ORD1002F609	10K OHM 1/6 W 5.00% TA52
R811	ORS0152J607	15 OHM 1 W 5.00% TA52
$\Delta$ R812	ORK8204H609	8.2M OHM 1/2 W 5.00% TA52
R813	ORD1002F609	10K OHM 1/6 W 5.00% TA52
R814	ORD0221H609	2.2 OHM 1/2 W 5.00% TA52
R815	ORD0751A609	7.5 OHM 1/2 W(7.0) 5.00% TA52
R816	ORD2001F609	2K OHM 1/6 W 5.00% TA52
R903	ORD2200F609	220 OHM 1/6 W 5.00% TA52
R904	ORD2200F609	220 OHM 1/6 W 5.00% TA52
R905	ORD2200F609	220 OHM 1/6 W 5.00% TA52
R906	ORD1000F609	100 OHM 1/6 W 5.00% TA52
R907	ORD1000F609	100 OHM 1/6 W 5.00% TA52
R908	ORD1000F609	100 OHM 1/6 W 5.00% TA52
R909	ORS1501H609	1.5K OHM 1/2 W 5.00% TA52
R910	ORS1501H609	1.5K OHM 1/2 W 5.00% TA52
R911	ORS1501H609	1.5K OHM 1/2 W 5.00% TA52
R912	ORD2204A609	2.2M OHM 1/2 W(7.0) 5.00% TA52
RC801	180-822N	RWR 7W 1.0 OHM J PD
<b>SWITCH</b>		
SW01	140-315A	SWITCH,TACT SKHV17910B LG C&D NON 12V
SW02	140-315A	SWITCH,TACT SKHV17910B LG C&D NON 12V
SW03	140-315A	SWITCH,TACT SKHV17910B LG C&D NON 12V
SW04	140-315A	SWITCH,TACT SKHV17910B LG C&D NON 12V
SW05	140-315A	SWITCH,TACT SKHV17910B LG C&D NON 12V
SW06	140-315A	SWITCH,TACT SKHV17910B LG C&D NON 12V
$\Delta$ SW801	6600VM2002A	SWITCH,PUSH SDKEA3 IEC 250V 8A HORIZO
<b>FILTER &amp; CRYSTAL</b>		
FB801	125-022R	FILTER,BI3857 FEELUX 5.7X3.6MM
FB802	125-022R	FILTER,BI3857 FEELUX 5.7X3.6MM
FB803	125-022R	FILTER,BI3857 FEELUX 5.7X3.6MM
L201	125-022R	FILTER,BI3857 FEELUX 5.7X3.6MM
L255	125-123A	FILTER,FERRITE BFD3565R2F
L260	125-022R	FILTER,BI3857 FEELUX 5.7X3.6MM
T801	6200JB8008J	FILTER,SQ2626 FEEL LUX BK 27-45MH,0.5
X01	156-A02B	RESONATOR,CRYSTAL HC49U 12.000MHZ 30P
<b>ACCESSORIES</b>		
A1	3828VA0272M	MANUAL,OWNERS MC019A PL/SPEC LG PL/EN
A1	3828VA0272L	MANUAL,OWNERS MC019A ES LG SP/PO
A2	6710V00090A	REMOTE CONTROLLER MC-019A,W/ TXT 34KEY
A2	6710V00090D	REMOTE CONTROLLER W/O TXT
A3	5010V00004B	ANTENNA,2 POLE 3 SECTION
<b>MISCELLANEOUS</b>		
$\Delta$ F801	OFS4001B53C	FUSE,4000MA 250 V 5.2X20 CY/CE SEMK
PA01	6726V0006H	REMOTE CONTROLLER RECEIVER 38KHZ
PJ201	381-091A	SOCKET,S-091A 21PIN H

LOCA. NO	PART NO	DESCRIPTION
PJ202	6613V00006C	JACK ASSY,PJ6062C 2P<YL(SW)WH(SW)>+
"	6613V00006E	JACK ASSY,PJ6062E
$\Delta$ RL801	6920VB1001E	RELAY,SDT-S-105LMR OEG 5V
$\Delta$ SK901	6620VBC003A	SOCKET (CIRC),CPT PCS030A 8PIN 14/360
$\Delta$ TH801	163-051F	THERMISTOR,J503P84D140M290Q
TU101	6700VPF009Q	TUNER,TAFL-M232D LG MULTI FS 2IN1 3S
"	6700VPF009U	TUNER,TCPW3001PD16L SS
VD801	164-003G	VARISTOR,TVR621D14A THINKING 620V 10% U